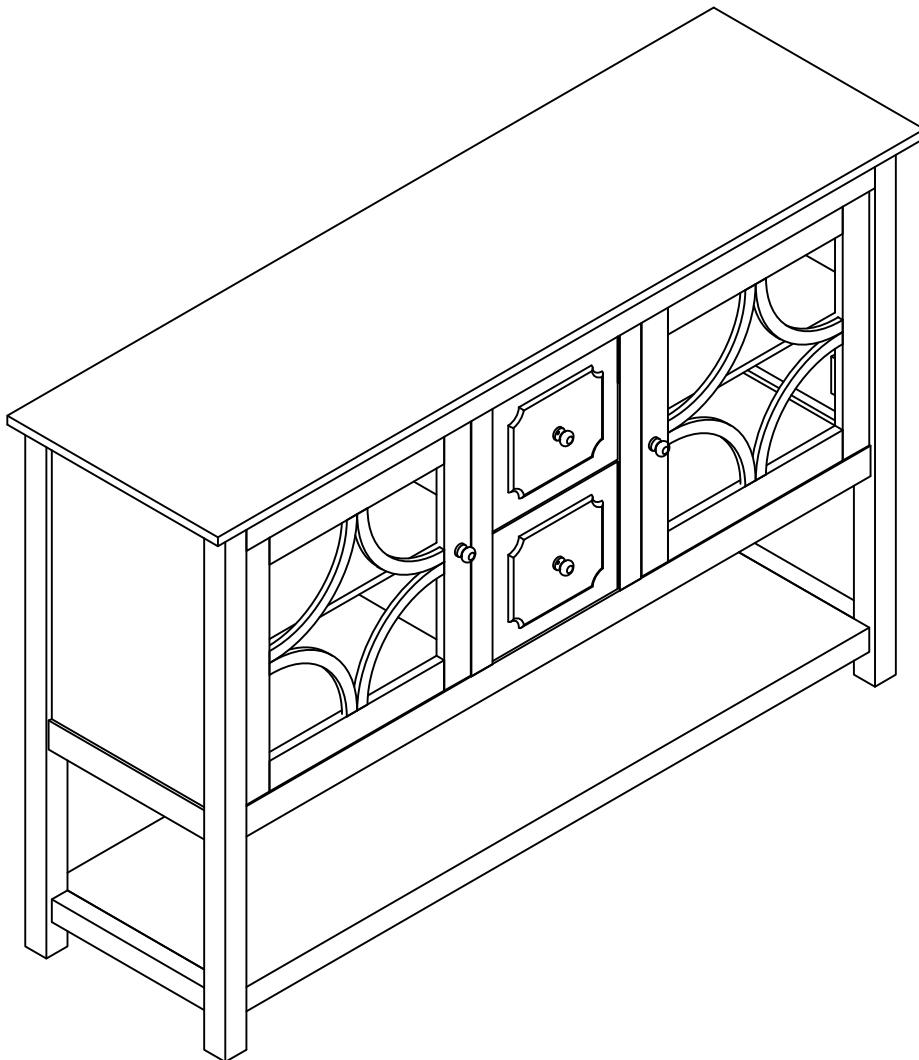


ASSEMBLY INSTRUCTIONS

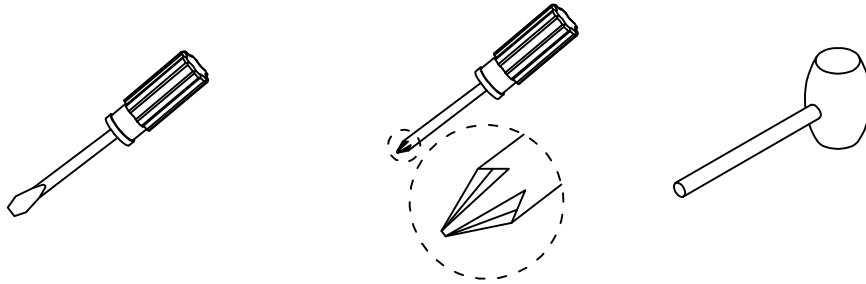
ITEM# HT-17056



If you find any damage after opening, please be sure to take pictures of the damage and contact us. We will help you solve the problem as soon as possible.

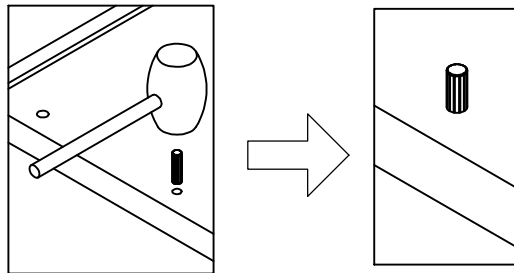
THANK YOU

ASSEMBLY TOOLS REQUIRED (NOT INCLUDED)

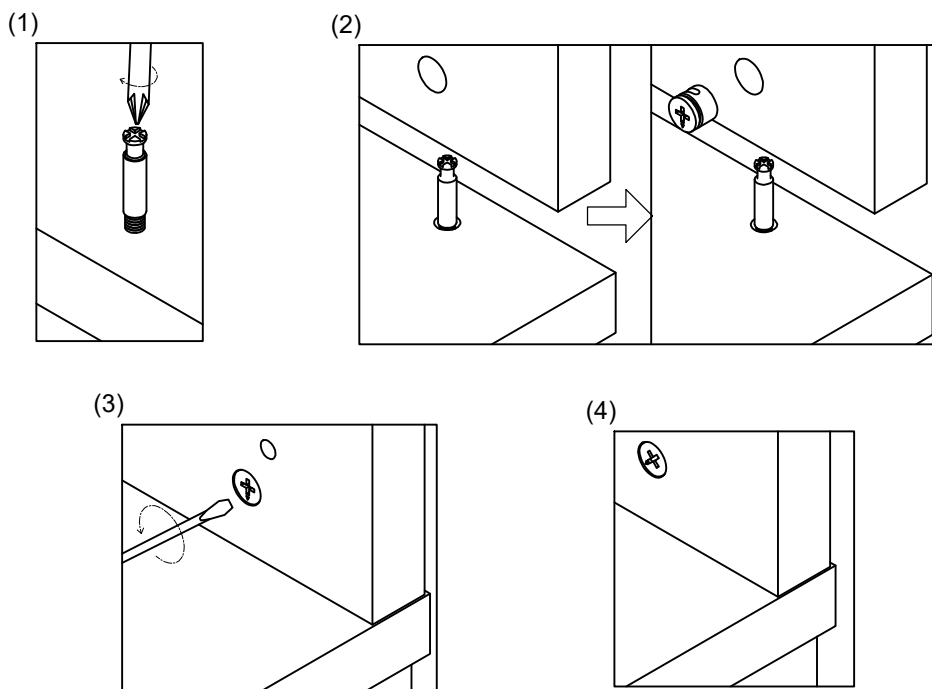


WOODEN DOWEL INSTALLATION PROCEDURE

Gently tap dowel into hole with rubber mallet

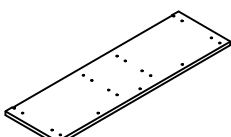
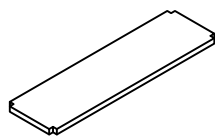
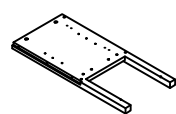
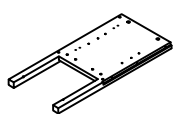
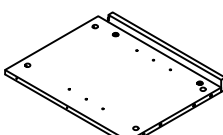
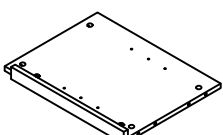
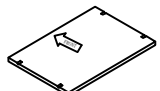
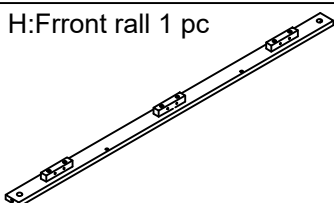
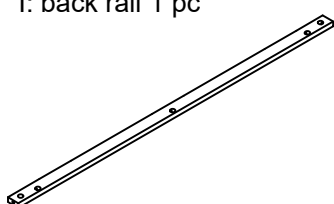
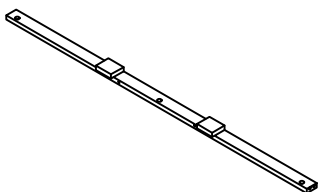

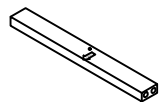
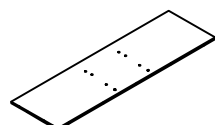
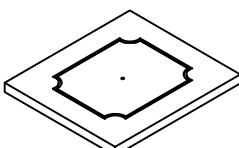
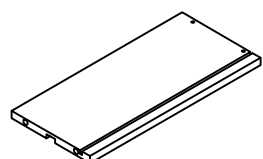
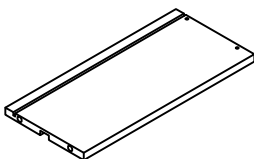
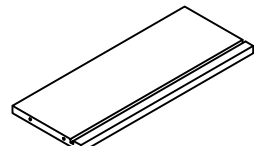
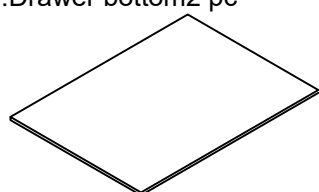
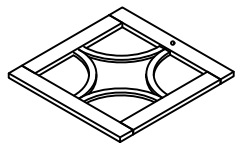
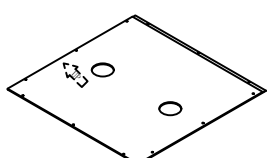
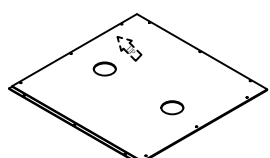
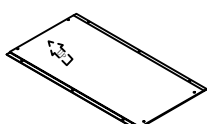


HIDDEN CONNECTOR.....ASSEMBLY TECHNIQUES









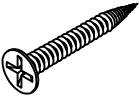
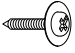



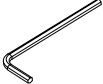
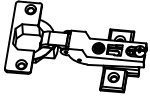

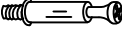




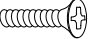
PARTS LIST

A Carton part list

<p>A:Top panel 1 pc</p> 	<p>B:Bottom panel 1 pc</p> 	<p>C:Right panel 1 pc</p> 	<p>D:left panel 1 pc</p> 
<p>E: Left partition1 pc</p> 	<p>F: Right Partition 1 pc</p> 	<p>G:Shelf 2 pc</p> 	<p>H:Frront rall 1 pc</p> 
<p>I: back rall 1 pc</p> 	<p>J:UP front rall 1 pcs</p> 	<p>k:Leg 1 pcs</p> 	<p>L:Rall 1 pc</p> 
<p>M:Mid shelf 1 pc</p> 	<p>O:Drawer front panel 2 pcs</p> 	<p>P:Drawer left side 2 pcs</p> 	<p>Q:Drawer right side 2 pc</p> 
<p>R:Drawer back 2 pc</p> 	<p>S:Drawer bottom2 pc</p> 	<p>T:Door 2 pc</p> 	<p>U:Left Back panel 1 pc</p> 
<p>v:Right Back panel 1 pc</p> 	<p>w:Mid Back panel 1 pc</p> 	<p>HARDWARE PKG 1 pc IA 1 pc</p>	

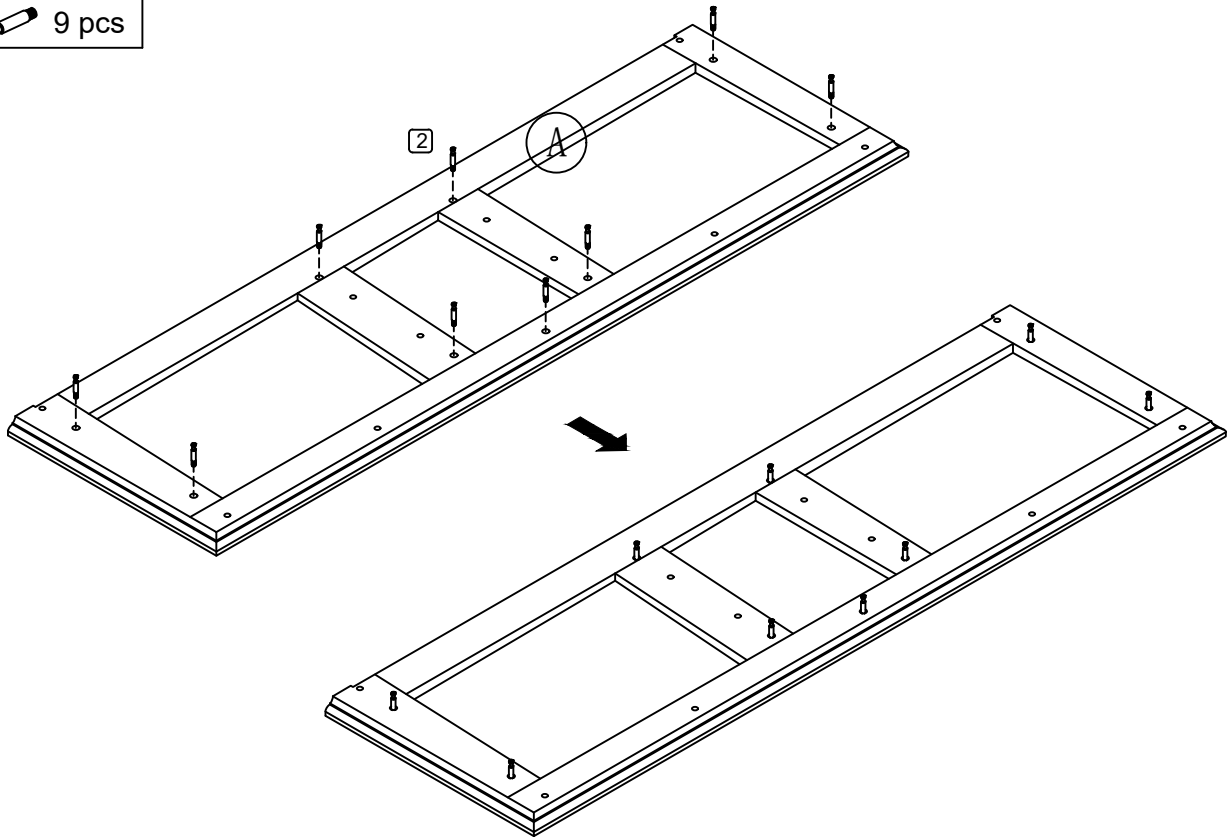
PARTS LIST

HARDWARE LIST

<p>1:Cam lock 38 pcs</p>  <p style="text-align: center;">Ø15*10.5</p>	<p>2:Cam bolt 27 pcs</p>  <p style="text-align: center;">Ø6*32</p>	<p>3:Wood plug 4 pcs</p>  <p style="text-align: center;">Ø8*30</p>	<p>4:Wood plug 24pcs</p>  <p style="text-align: center;">Ø6*30</p>
<p>5:Pull knob 4 pcs</p> 	<p>6:Screw 4 pcs</p>  <p style="text-align: center;">Ø4x18</p>	<p>7:Wood screw 20 pcs</p>  <p style="text-align: center;">Ø4.0*25</p>	<p>8:Wood screw 30 pcs</p>  <p style="text-align: center;">Ø3.0*12</p>
<p>9: Bolt 4 pcs</p>  <p style="text-align: center;">M6*50(mm)</p>	<p>10.Spring washer 4pc</p> 	<p>11.Washer 4pc</p> 	<p>12.Hexagon socket key</p> 
<p>13.Hinge 4pcs</p>  <p style="text-align: center;">Ø26</p>	<p>14:Screw 2 pcs</p>  <p style="text-align: center;">Ø3.0x12</p>	<p>15:Cam bolt 11 pcs</p>  <p style="text-align: center;">Ø6*32</p>	<p>16.Shelf support pin 8 pc</p>  <p style="text-align: center;">Ø8x5x16</p>
<p>17.Sticker 20 pcs</p> 	<p>18.:Glue tube 2 pc</p> 	<p>19.Shelf stopper 2 pc</p> 	<p>20:Screw 16 pcs</p>  <p style="text-align: center;">Ø4x12</p>

Step 1

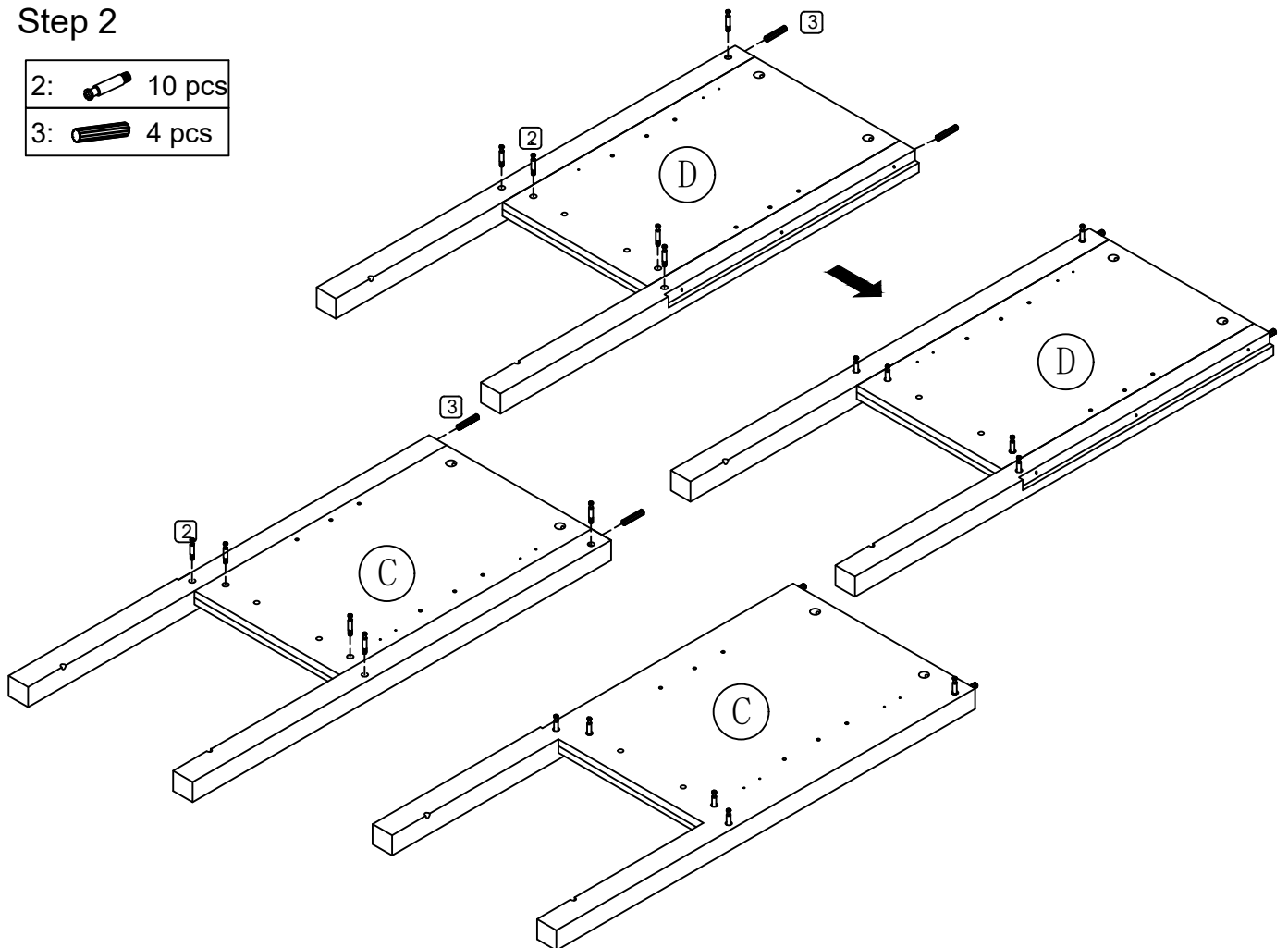
2:  9 pcs







Step 2

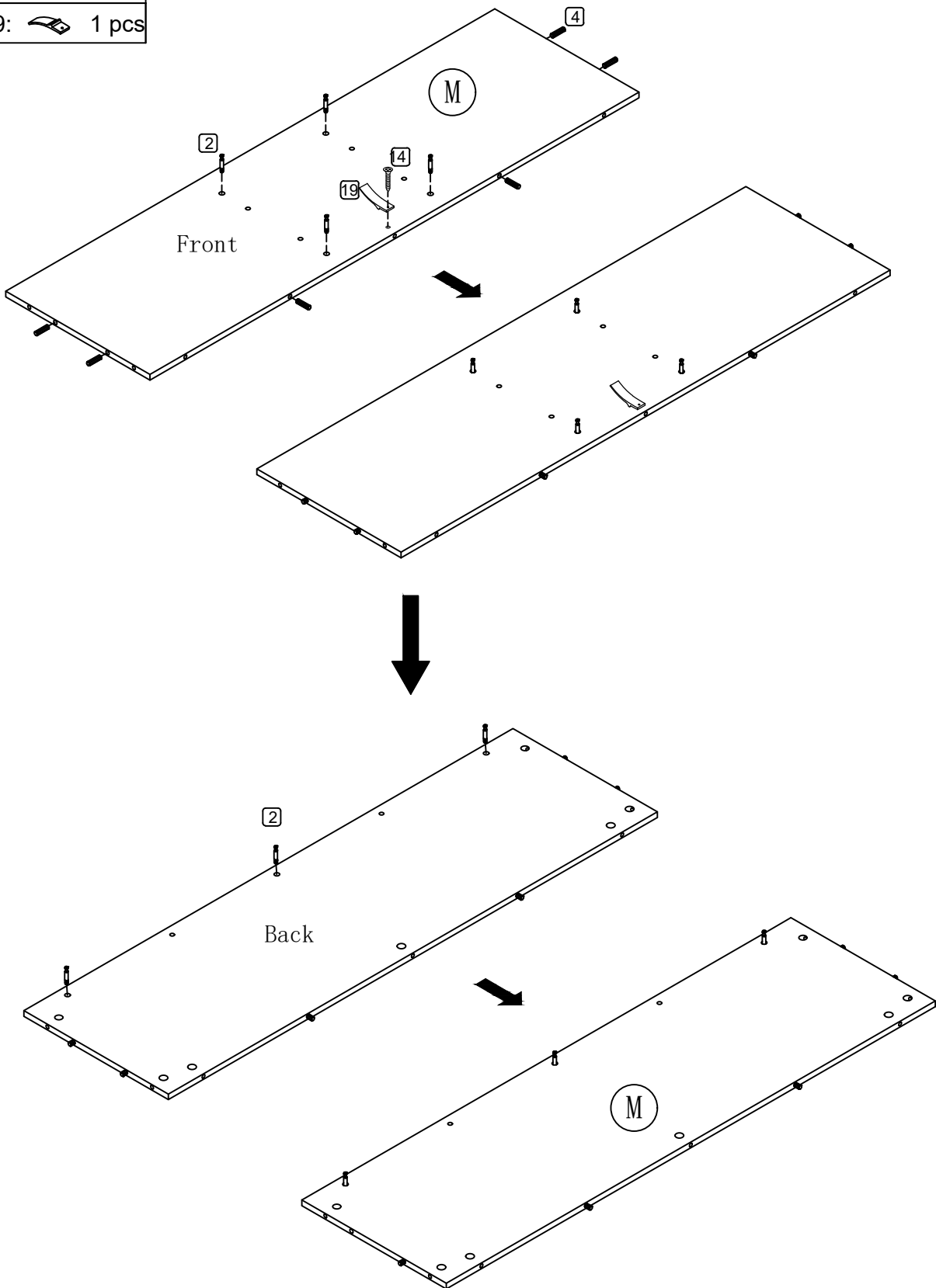
2:  10 pcs

3:  4 pcs



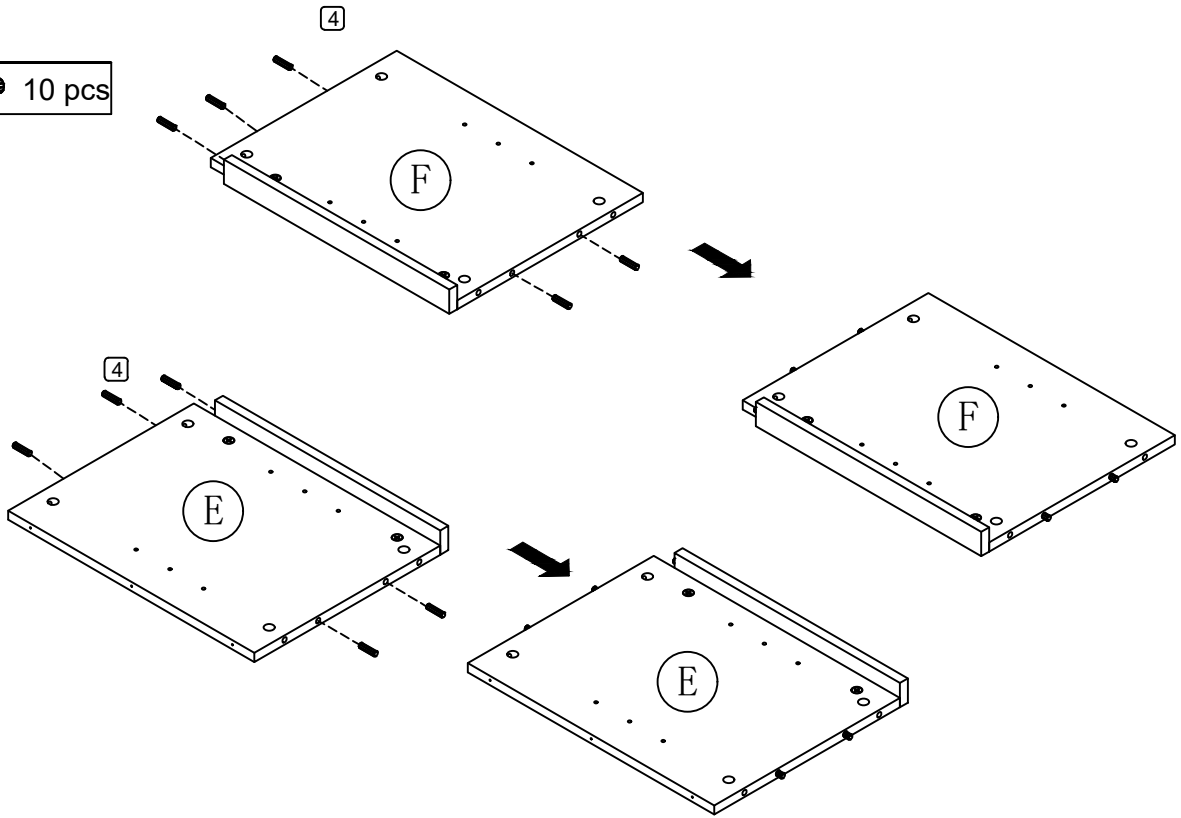
Step 3

- 2:  7 pcs
- 4:  6 pcs
- 14:  1 pcs
- 19:  1 pcs



Step 4

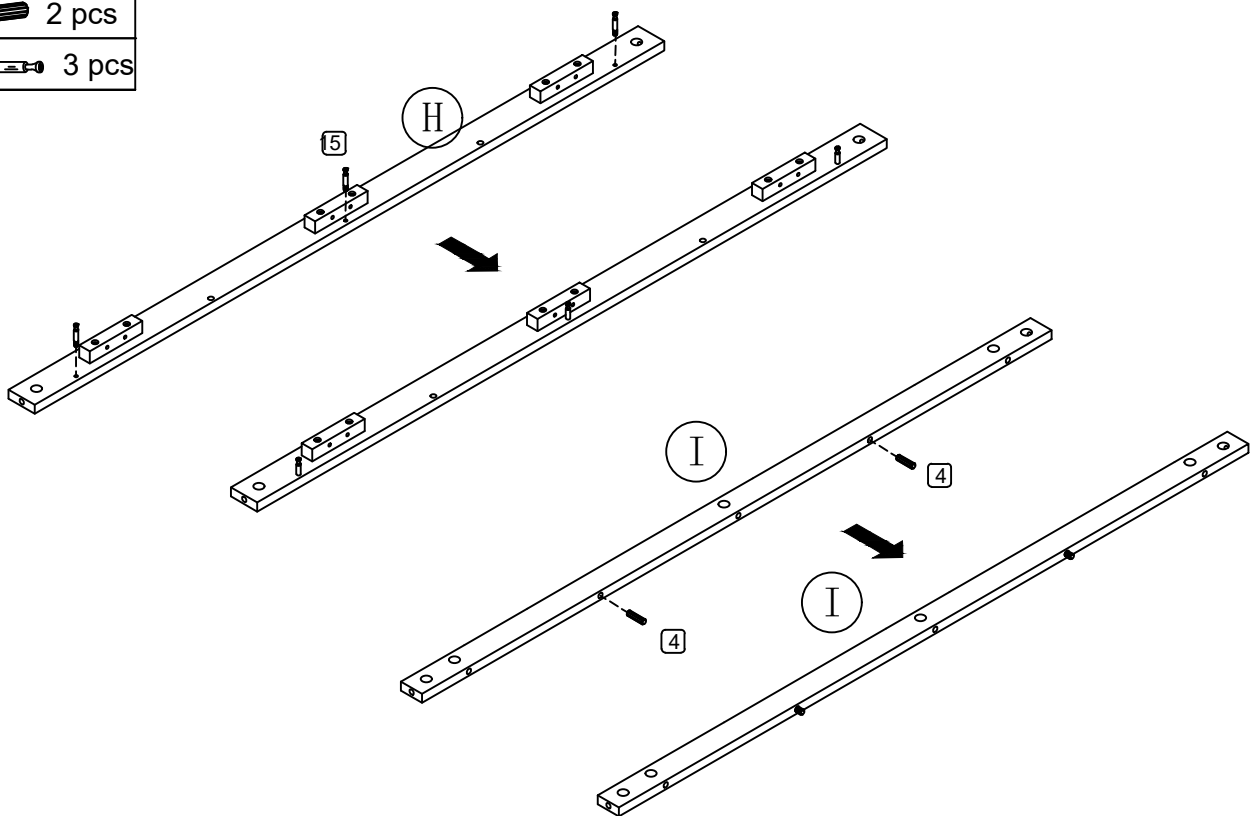
4:  10 pcs






Step 5

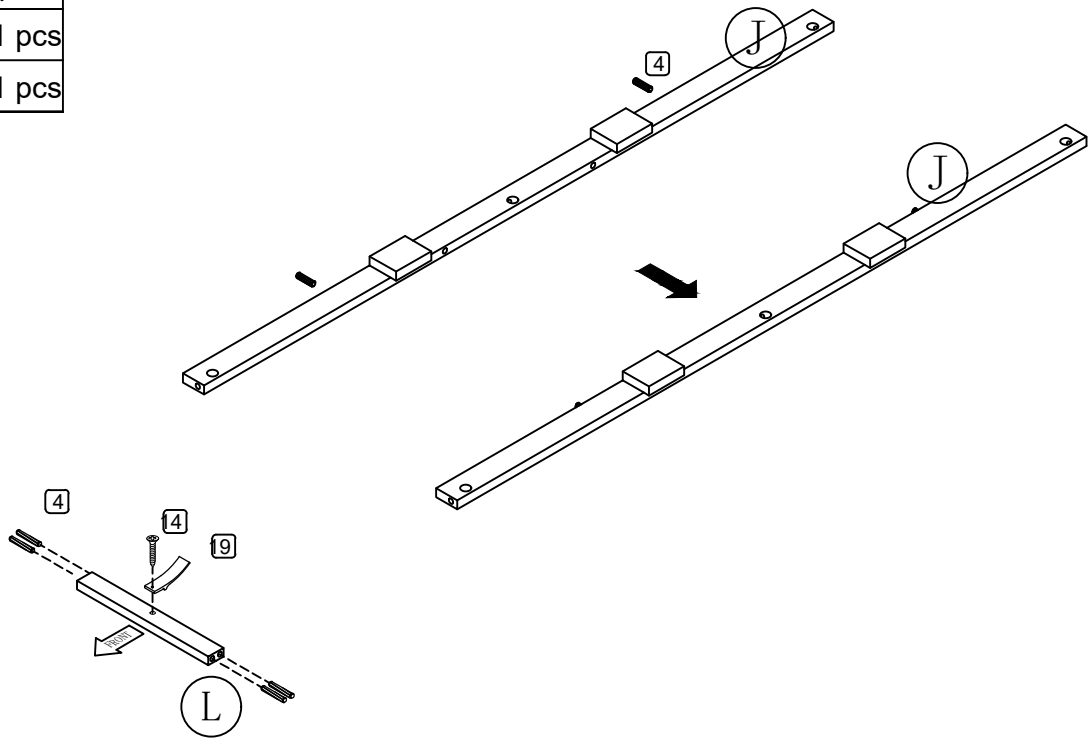
4:  2 pcs

15:  3 pcs


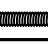

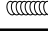


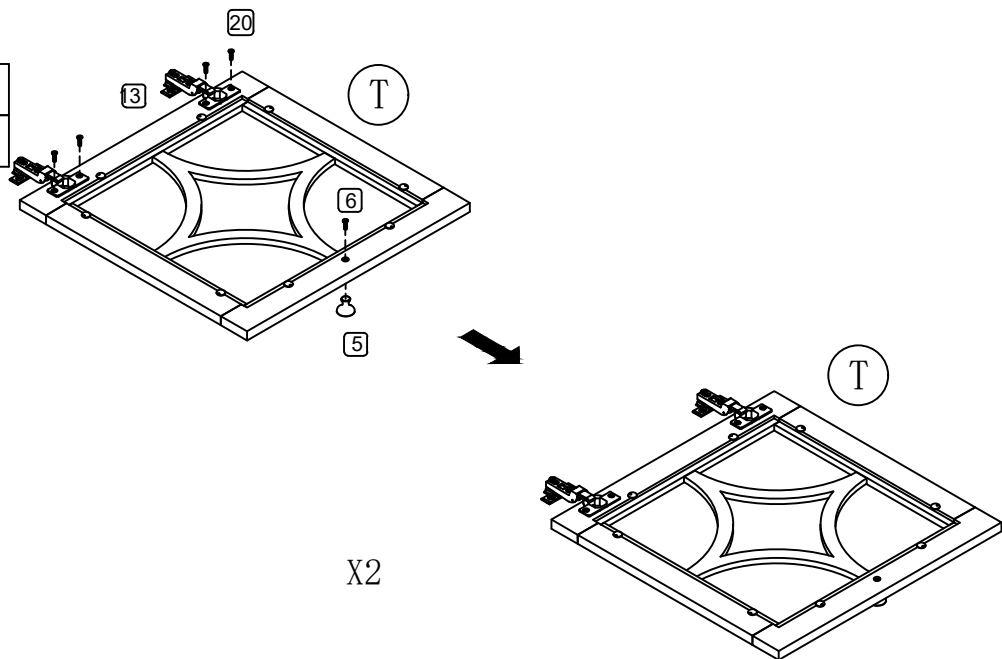
Step 6

- | | | |
|-----|---|-------|
| 4: |  | 6 pcs |
| 14: |  | 1 pcs |
| 19: |  | 1 pcs |



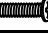





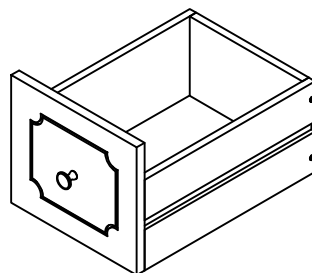
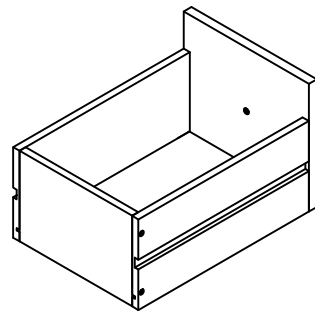
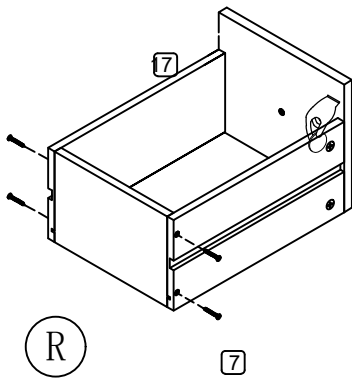
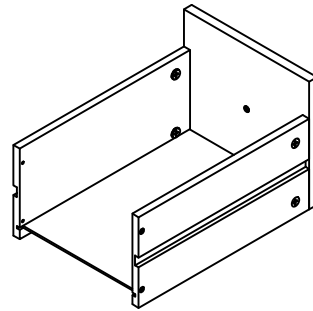
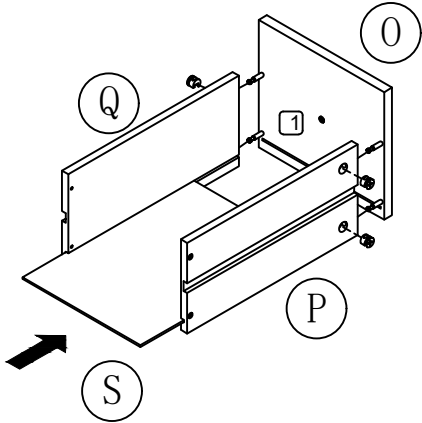
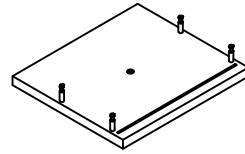
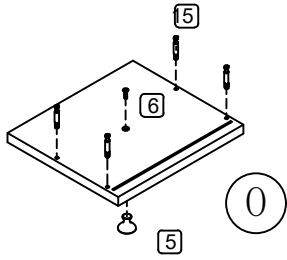
Step 7

- | | | |
|-----|---|-------|
| 5: |  | 2 pcs |
| 6: |  | 2 pcs |
| 13: |  | 4 pcs |
| 20: |  | 8 pcs |



Step 8

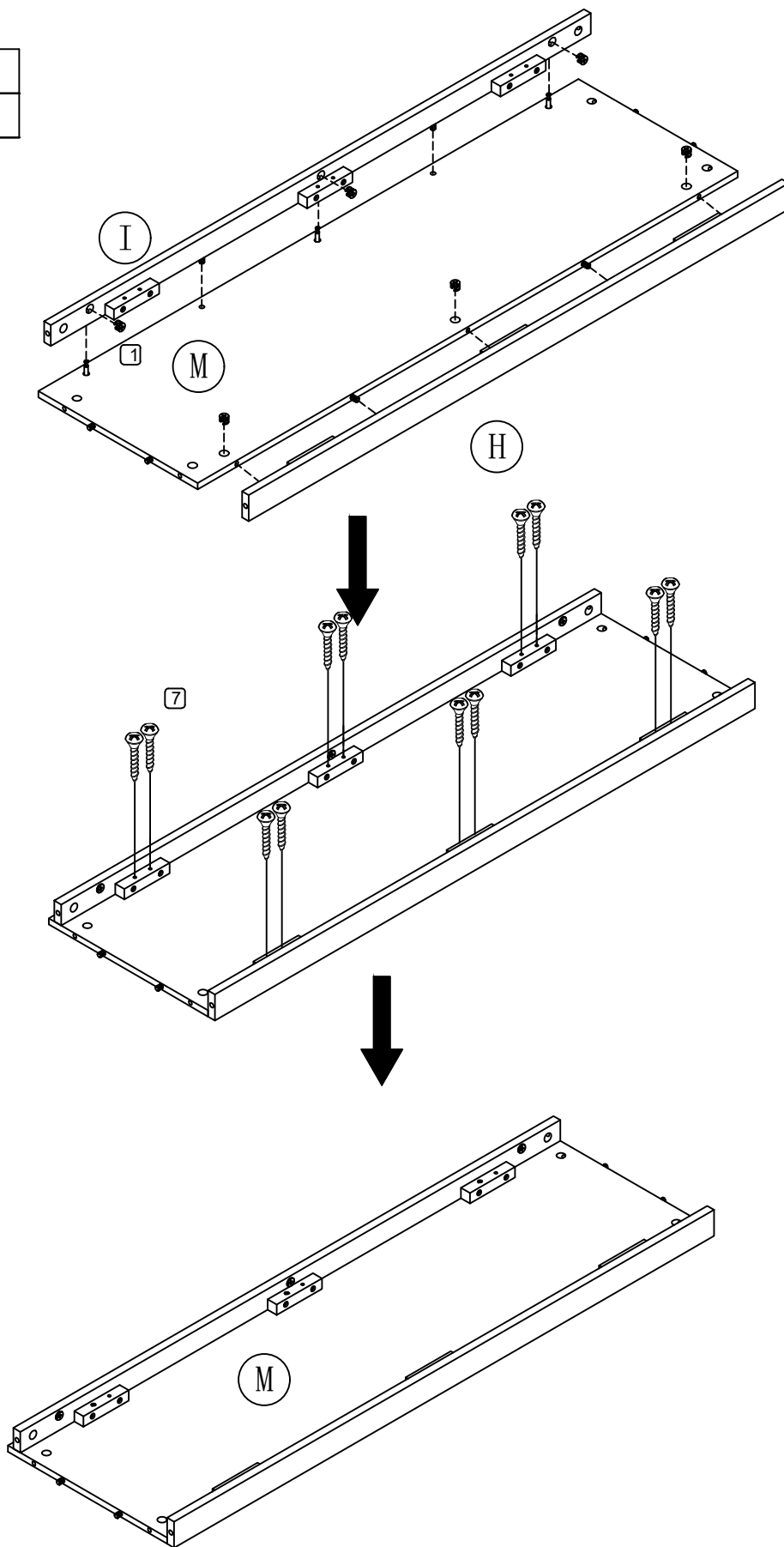
- 1:  8 pcs
- 5:  2 pcs
- 6:  2 pcs
- 7:  8 pcs
- 15:  8 pcs
- 17:  8 pcs



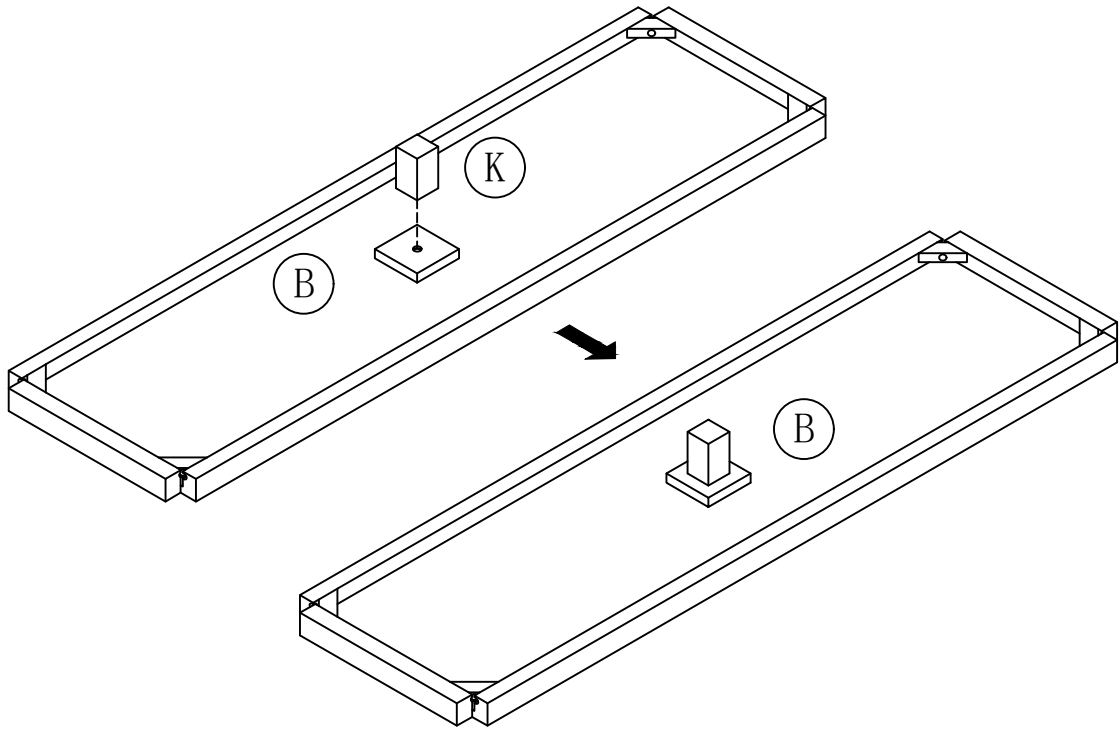
X2

Step9

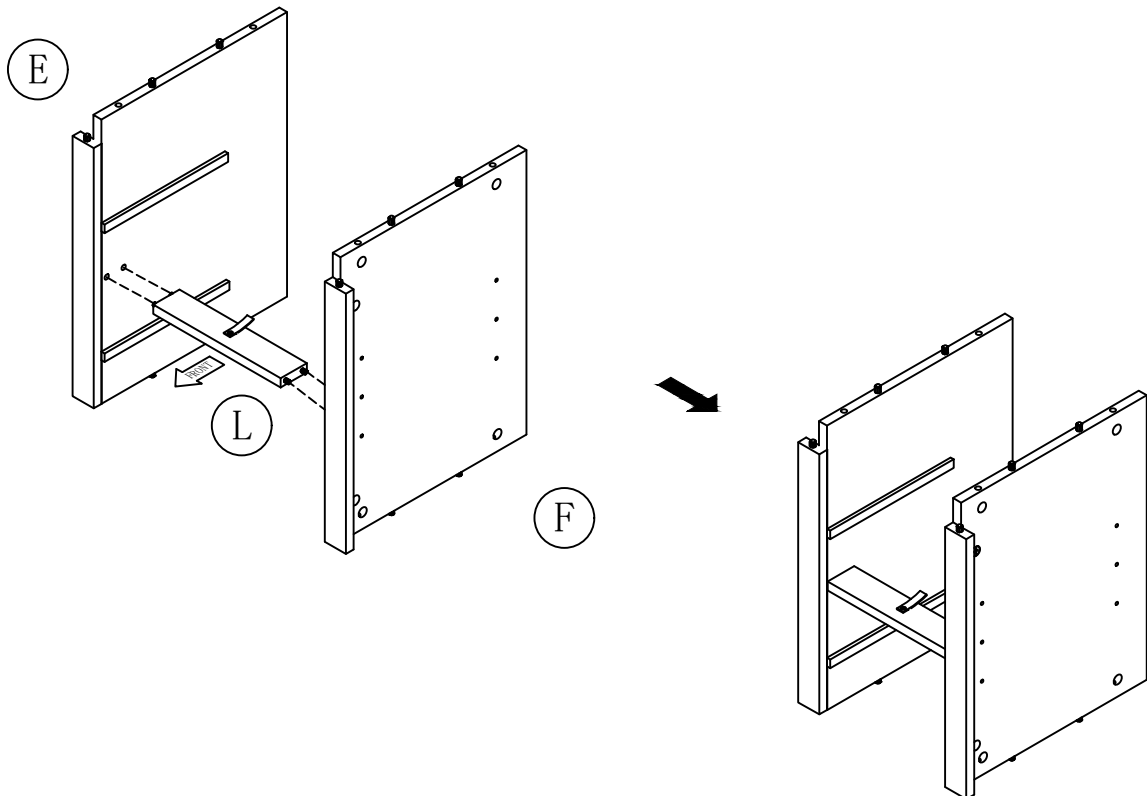
- 1:  6 pcs
- 7:  12 pcs



Step 10

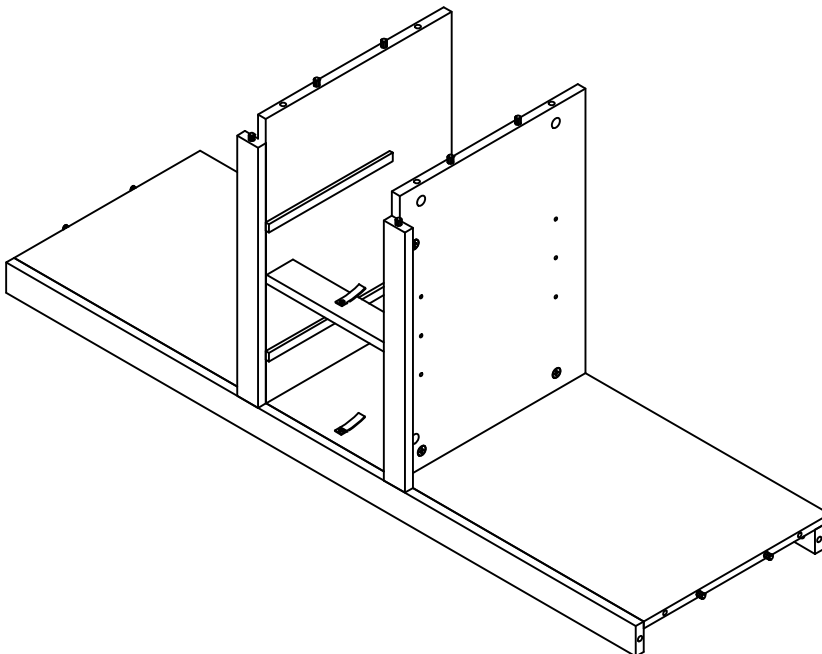
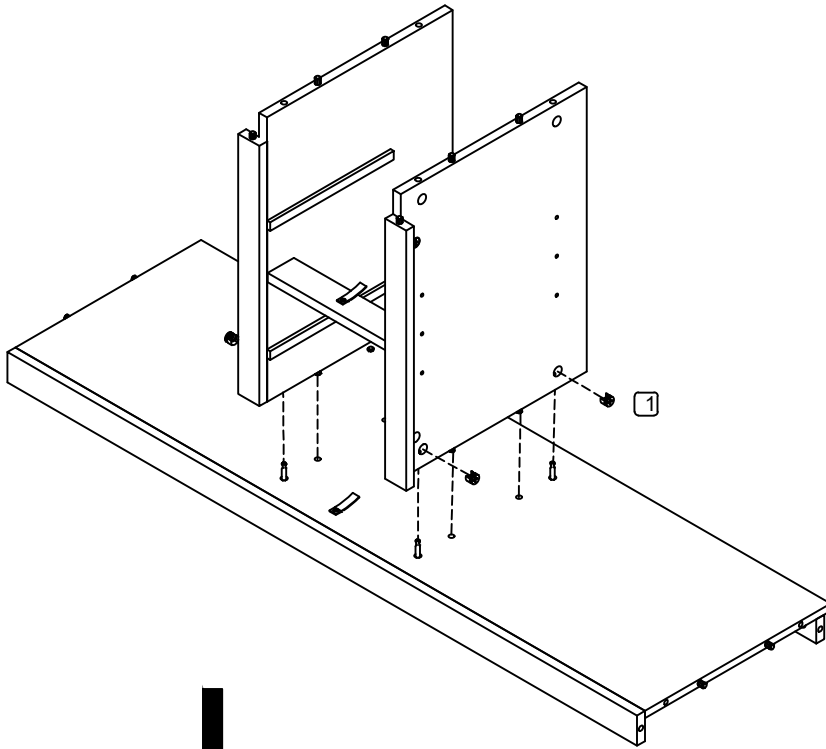


Step 11

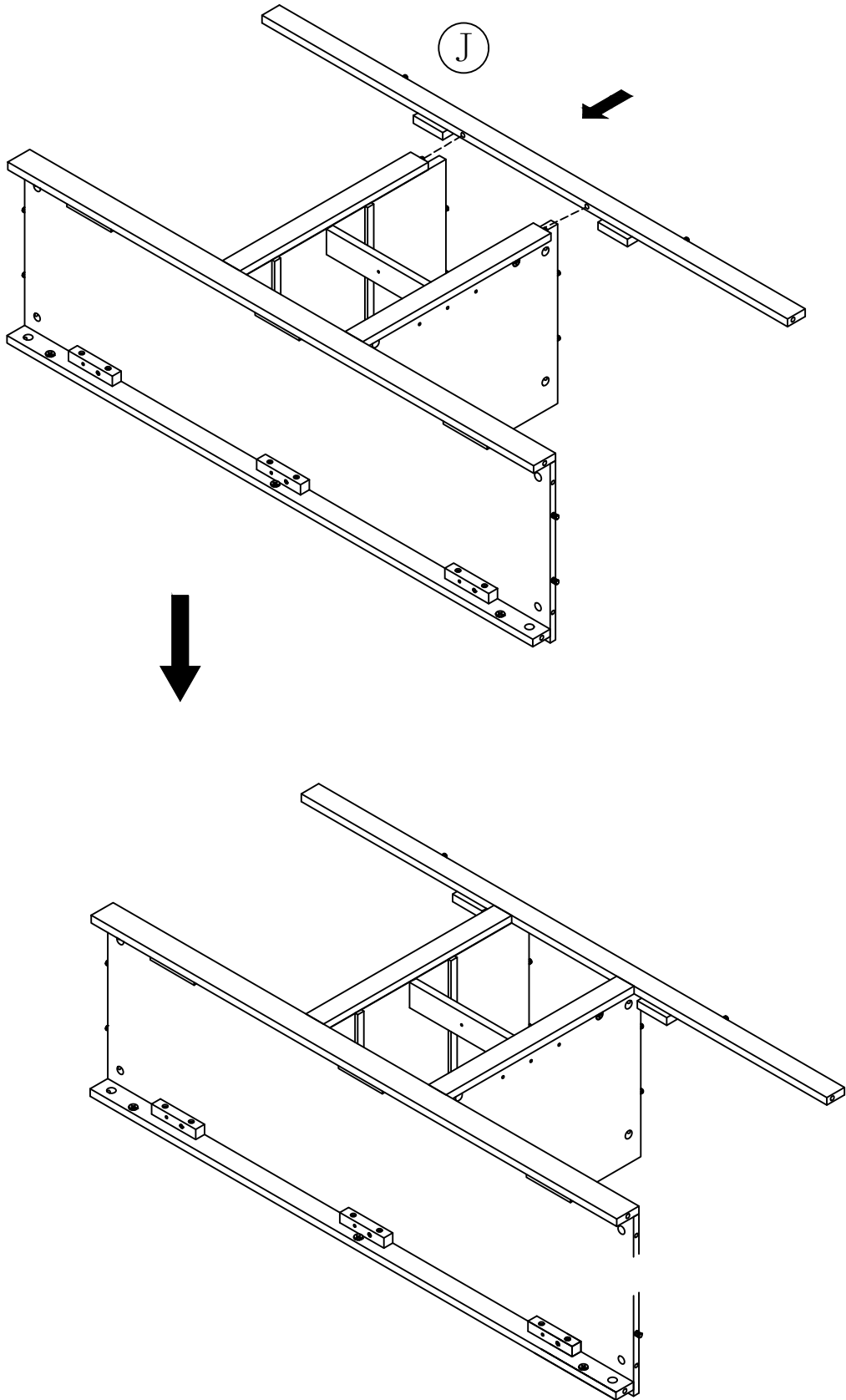


Step 12

1:  4 pcs

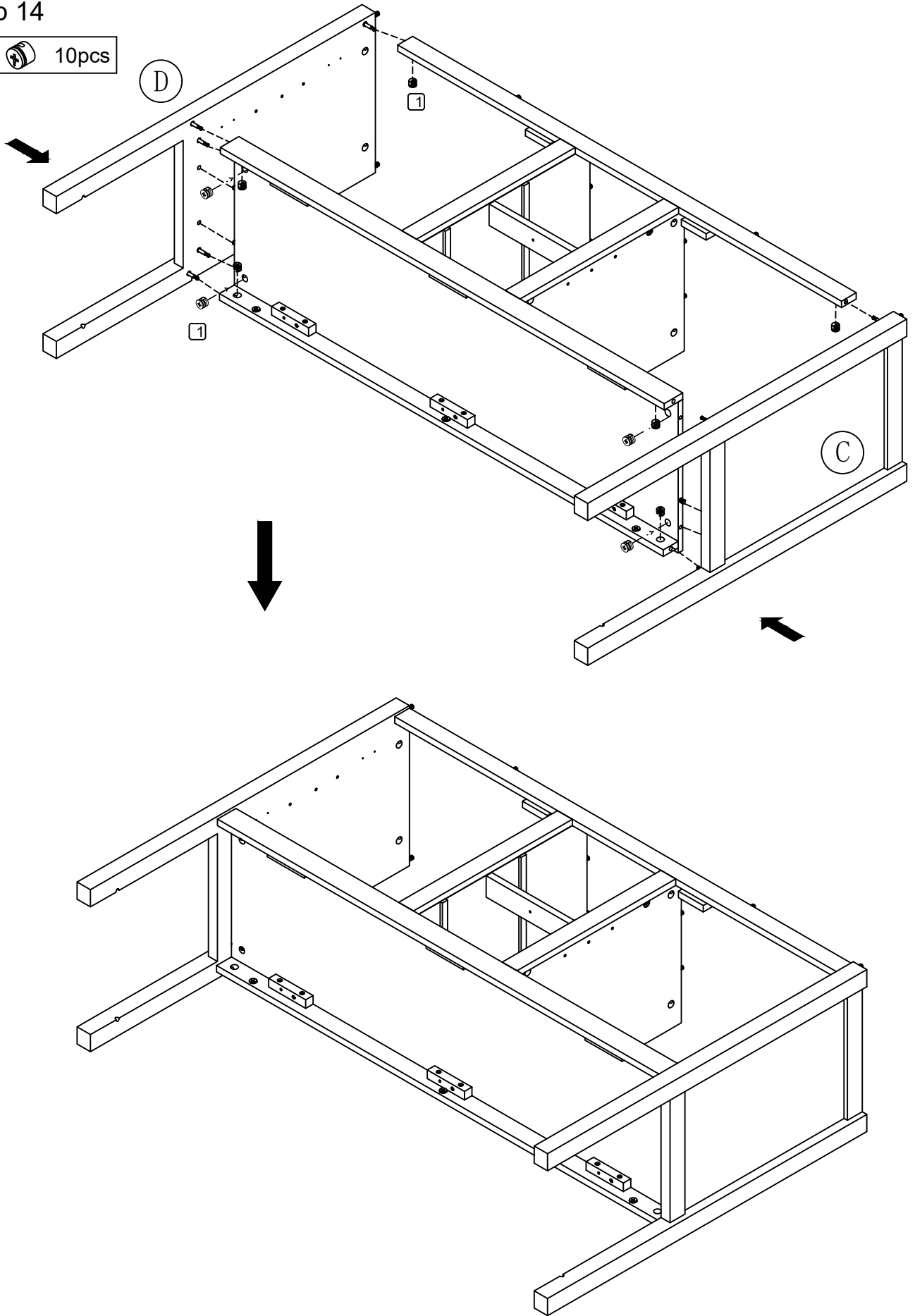


Step 13




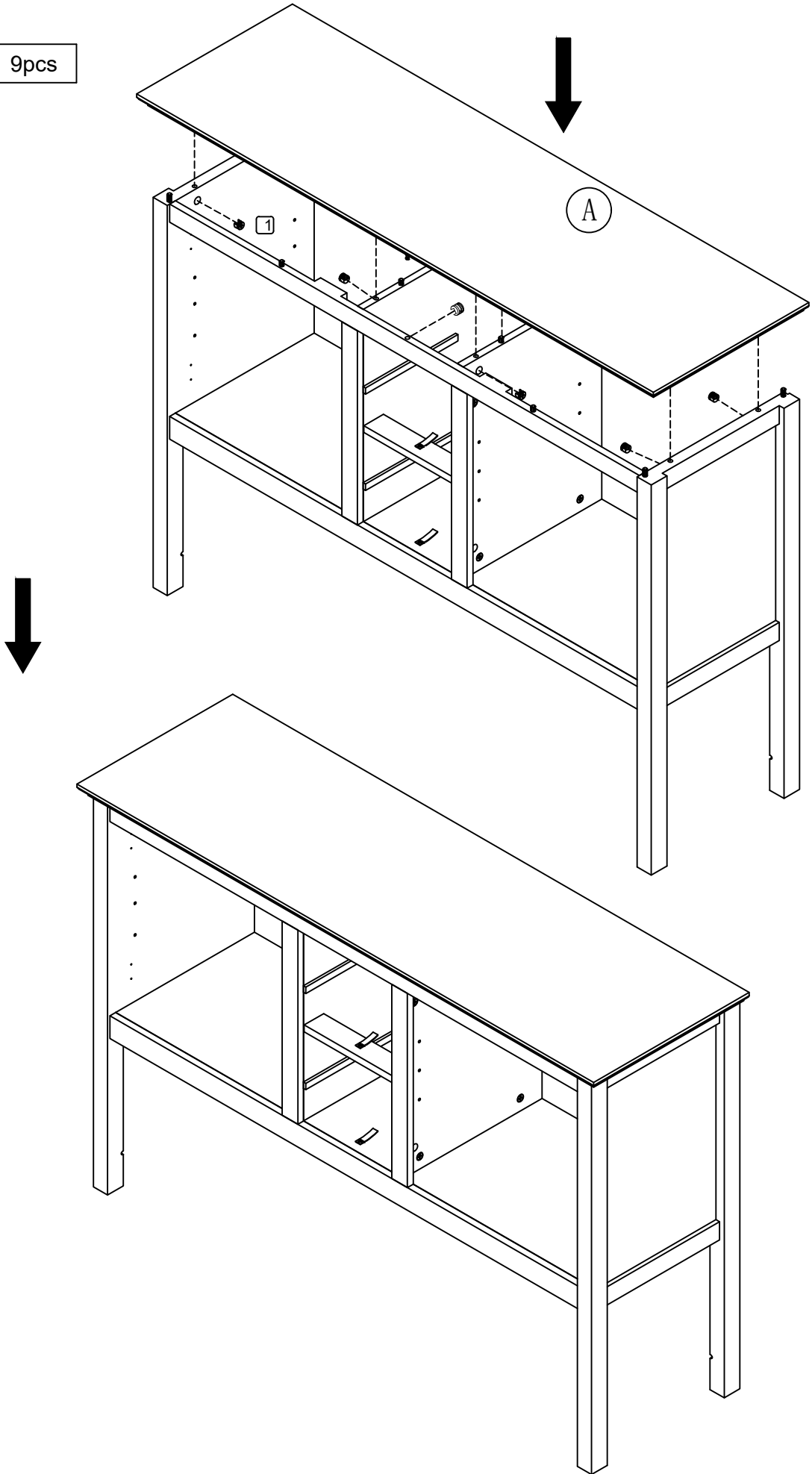
Step 14

1:  10pcs







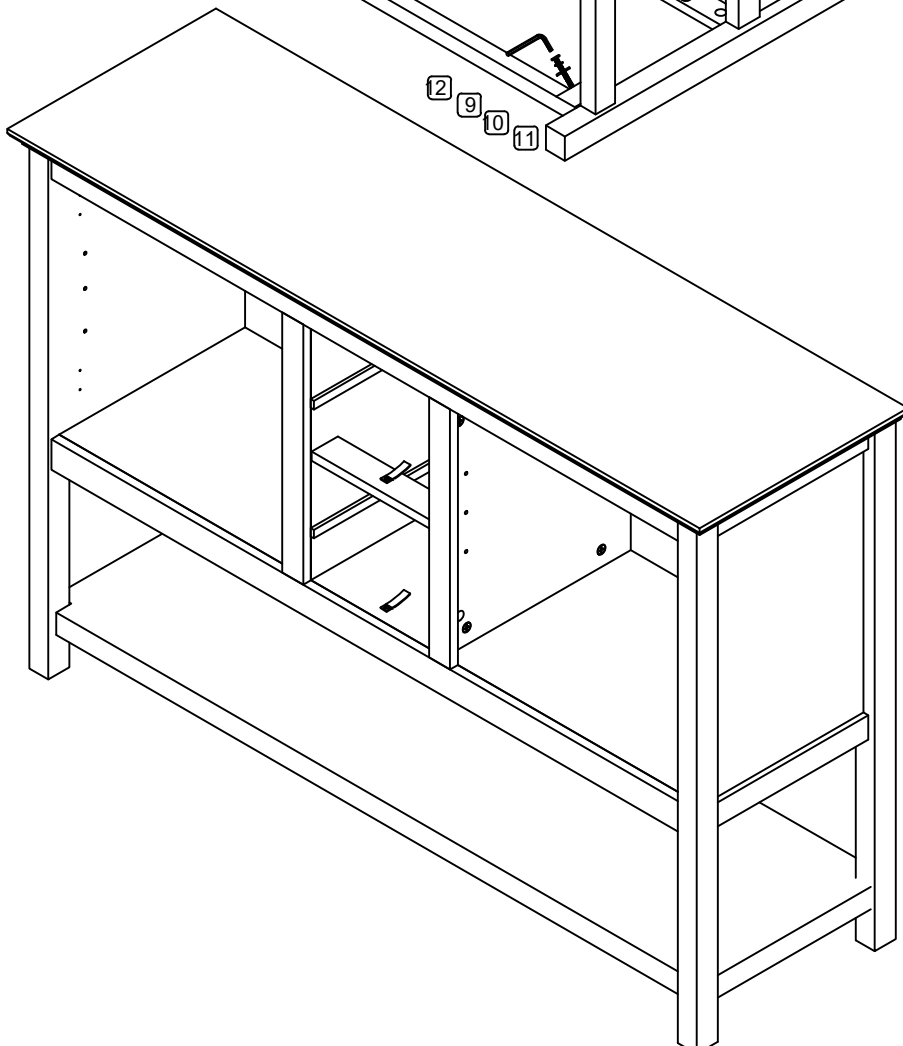
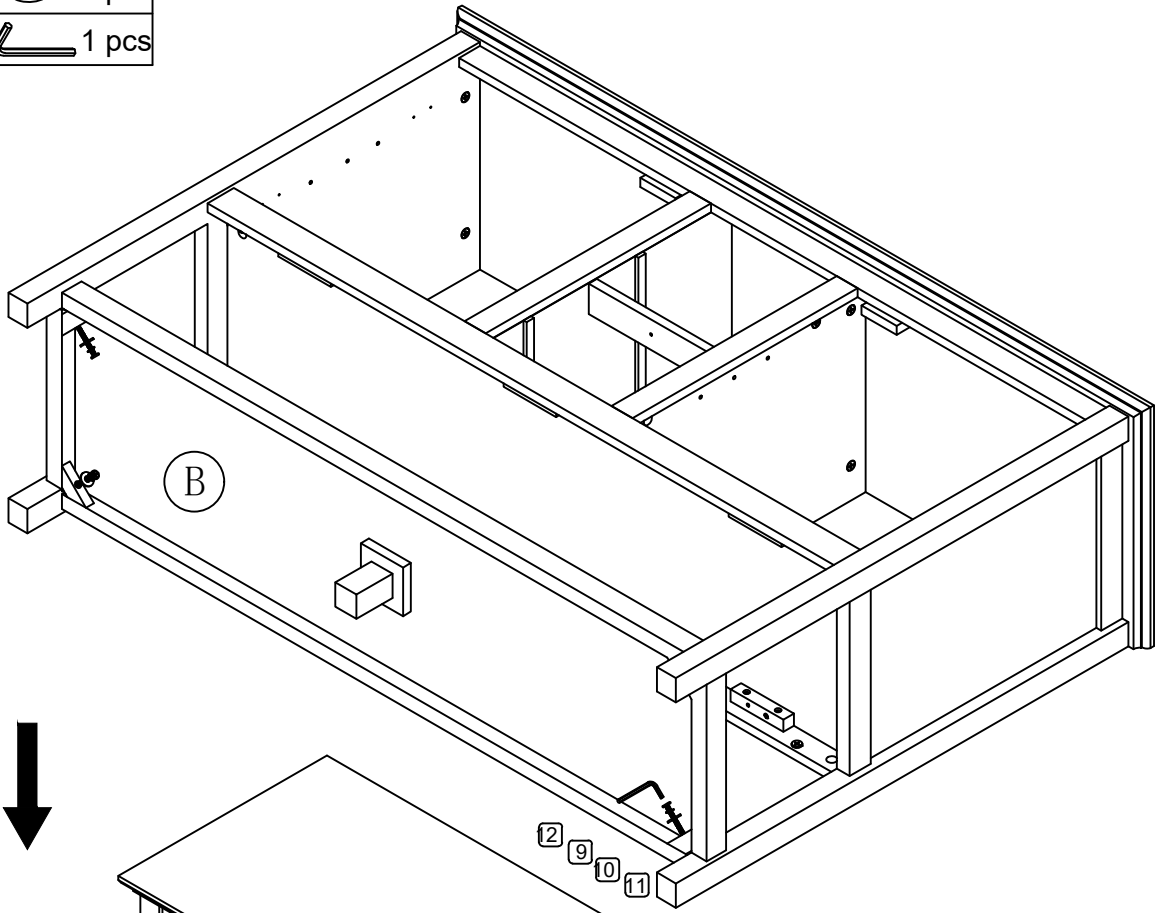
Step 15

1:  9pcs




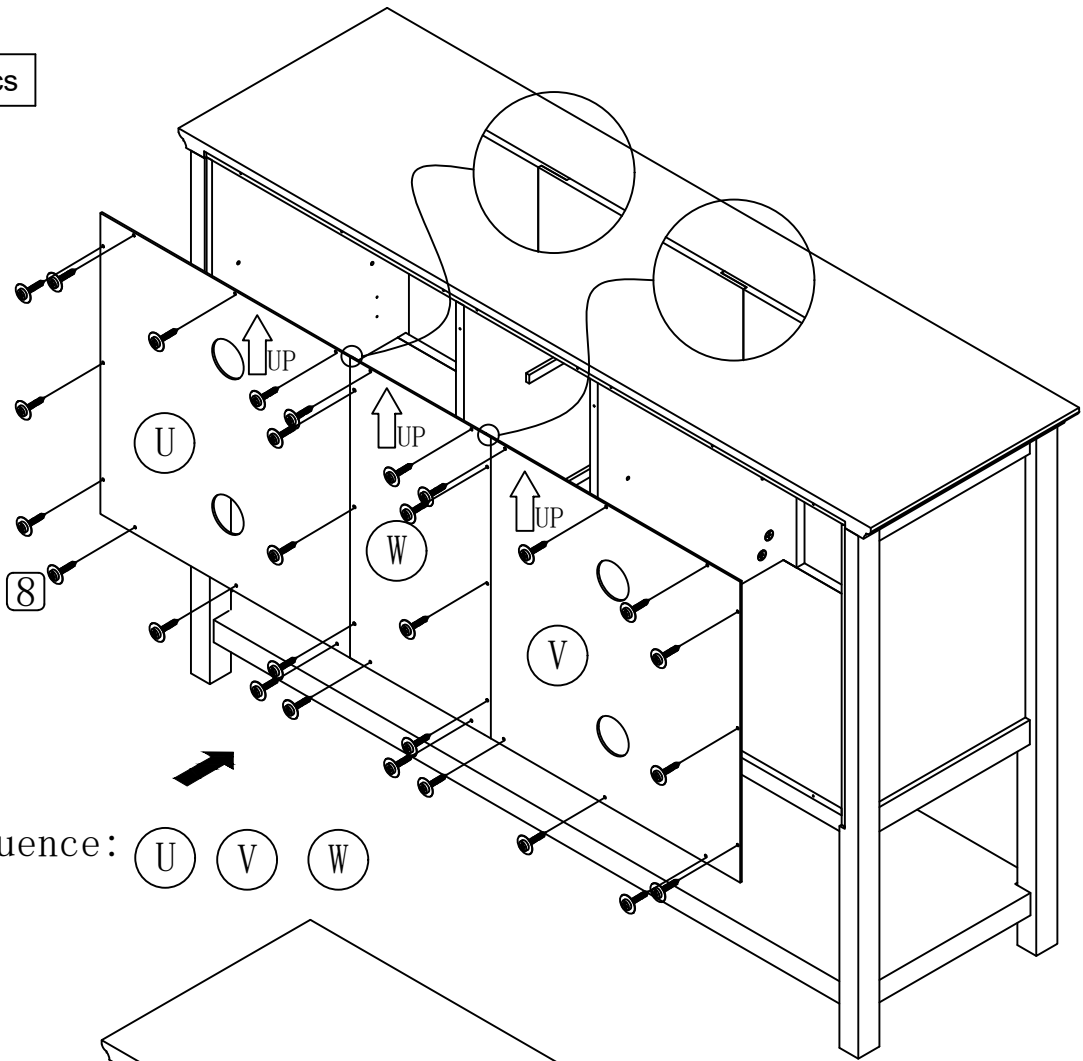
Step 16

- | | | |
|-----|---|-------|
| 9: |  | 4 pcs |
| 10: |  | 4 pcs |
| 11: |  | 4 pcs |
| 12: |  | 1 pcs |

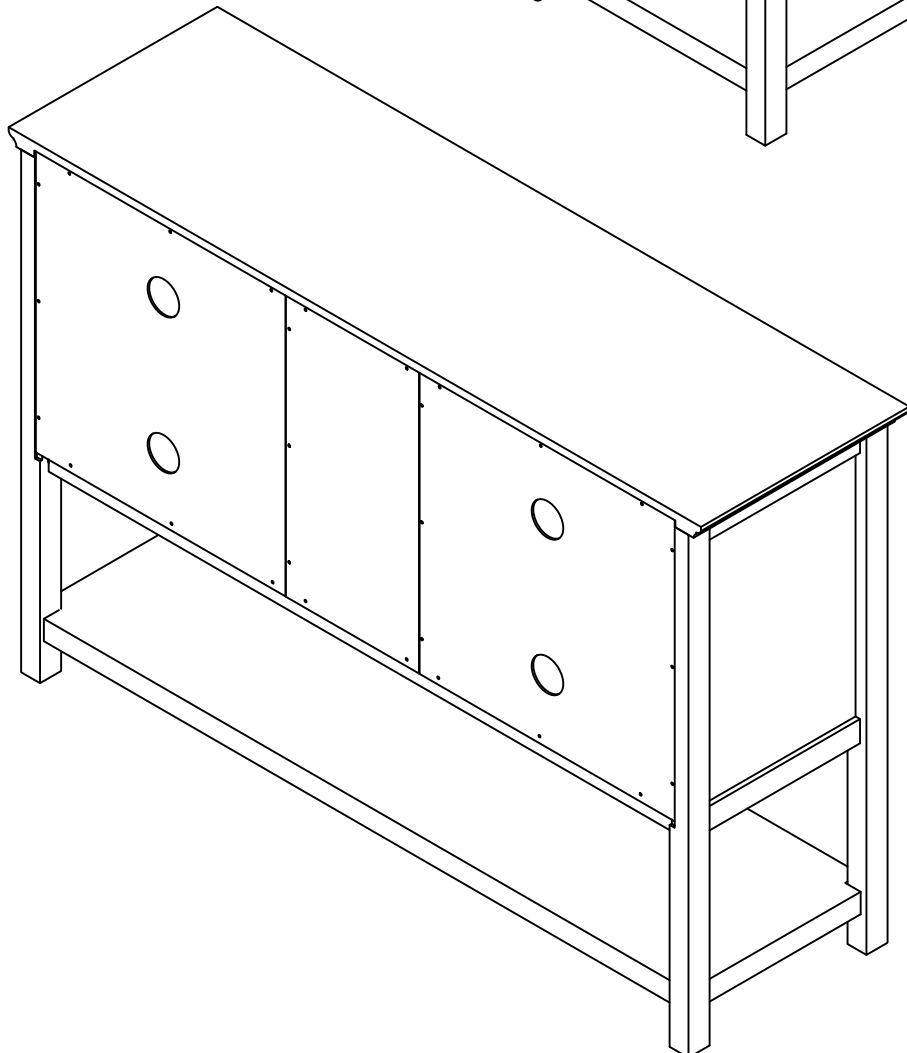


Step 17


8:  28 pcs




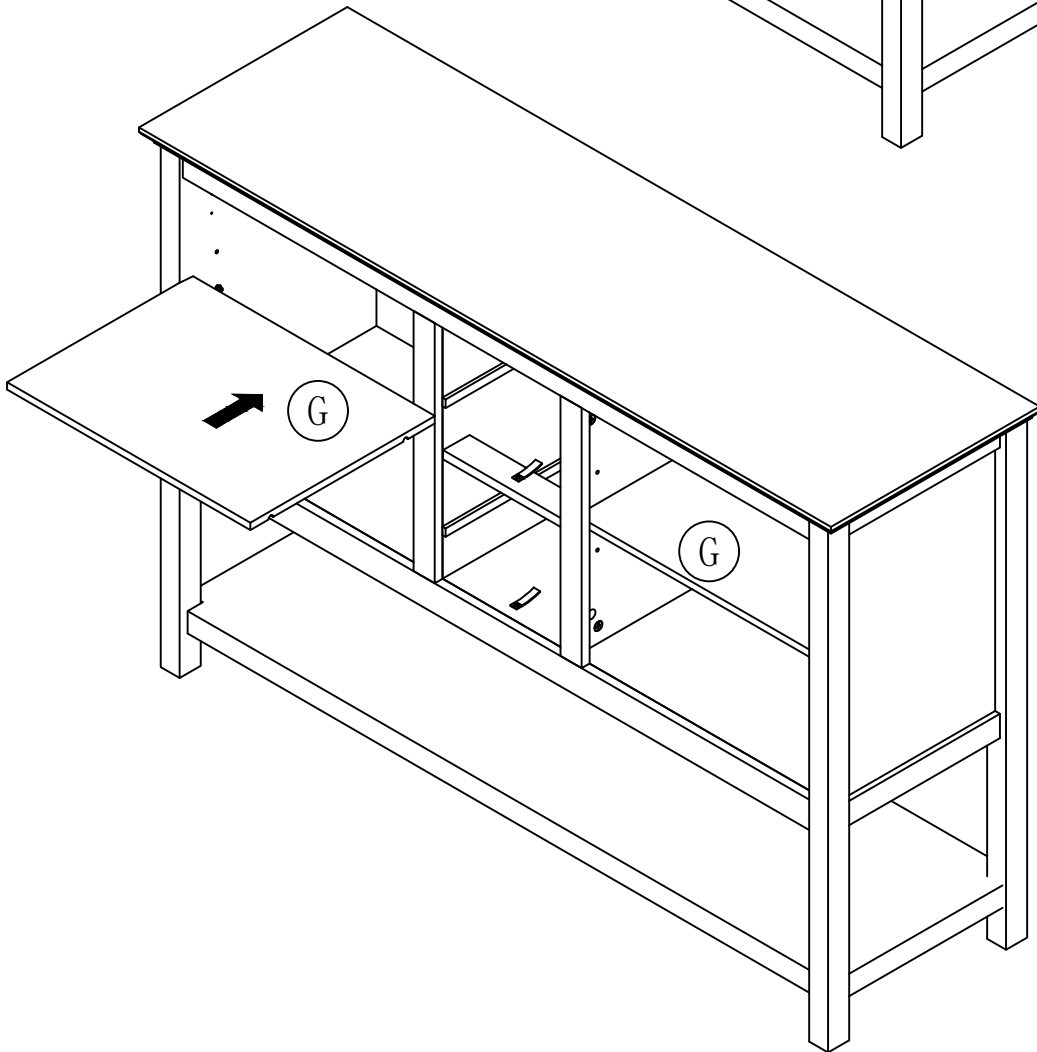
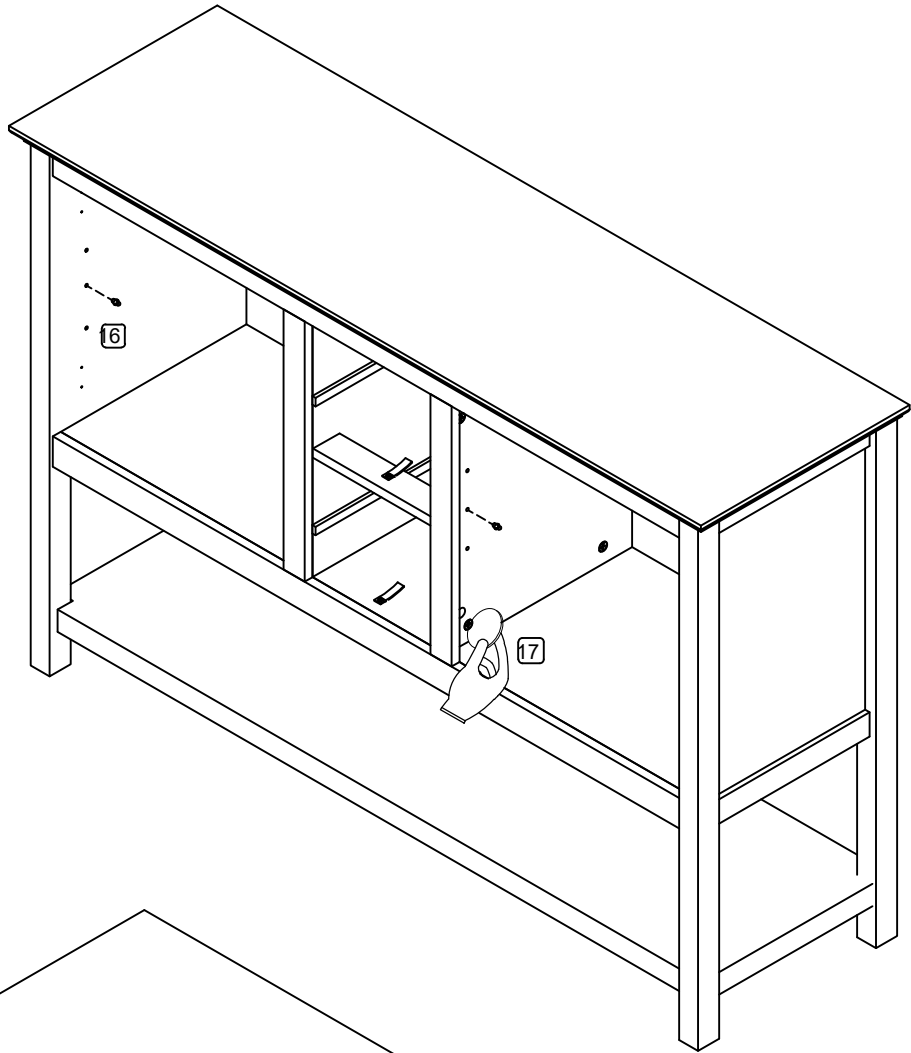
Sequence:   



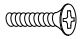
Step 18

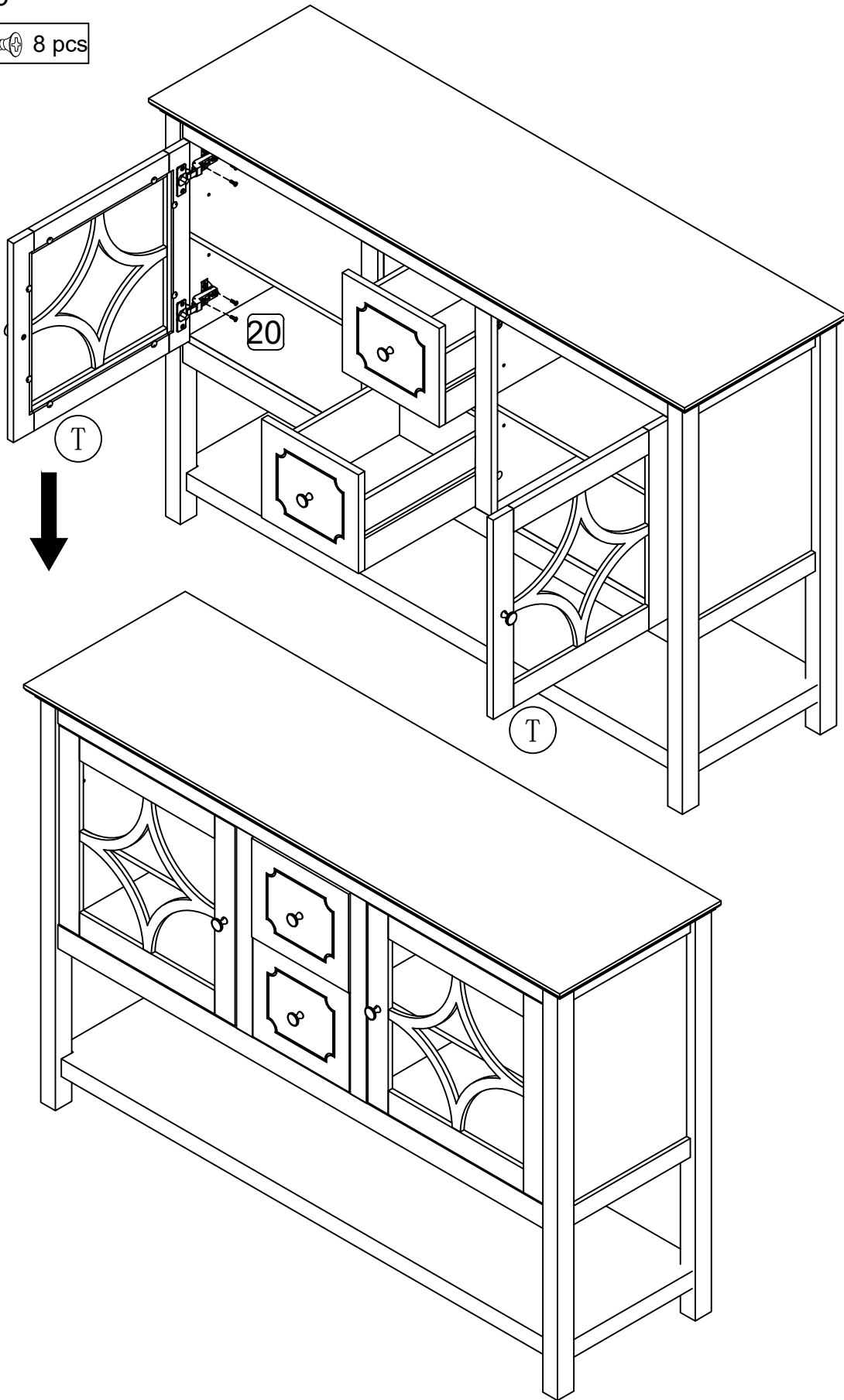
16:  8pcs

17:  12pcs



Step 19

20:  8 pcs



Final Assembly