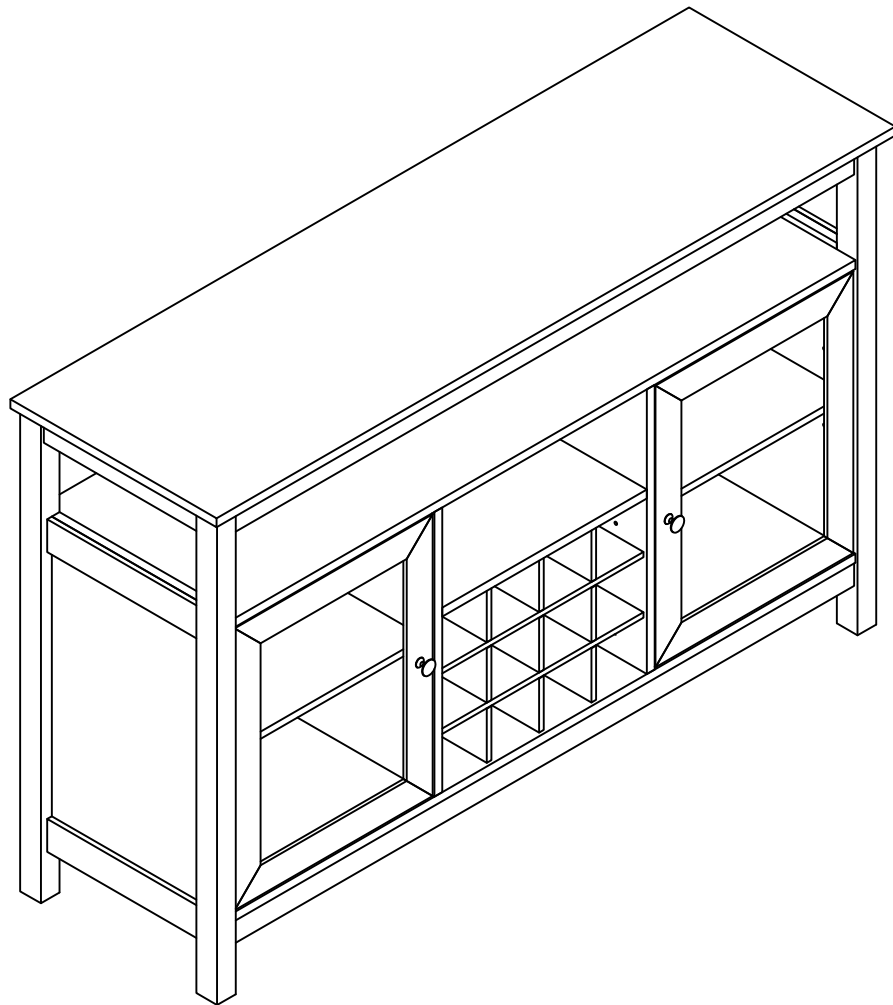


# ASSEMBLY INSTRUCTIONS

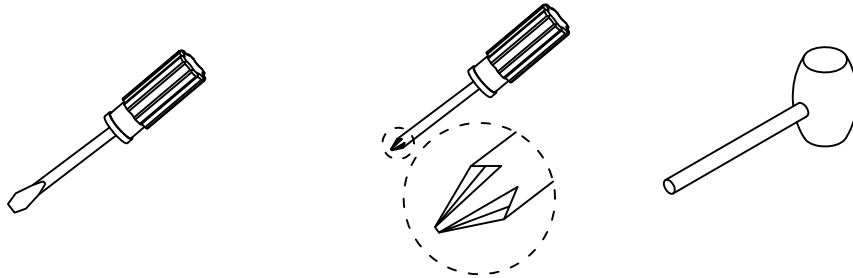
## Sideboard cabinet



If you find any damage after opening, please be sure to take pictures of the damage and contact us. We will help you solve the problem as soon as possible.

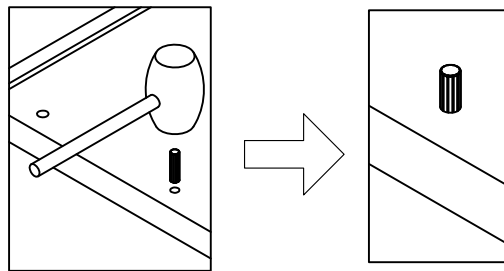
**THANK YOU**

## ASSEMBLY TOOLS REQUIRED (NOT INCLUDED)

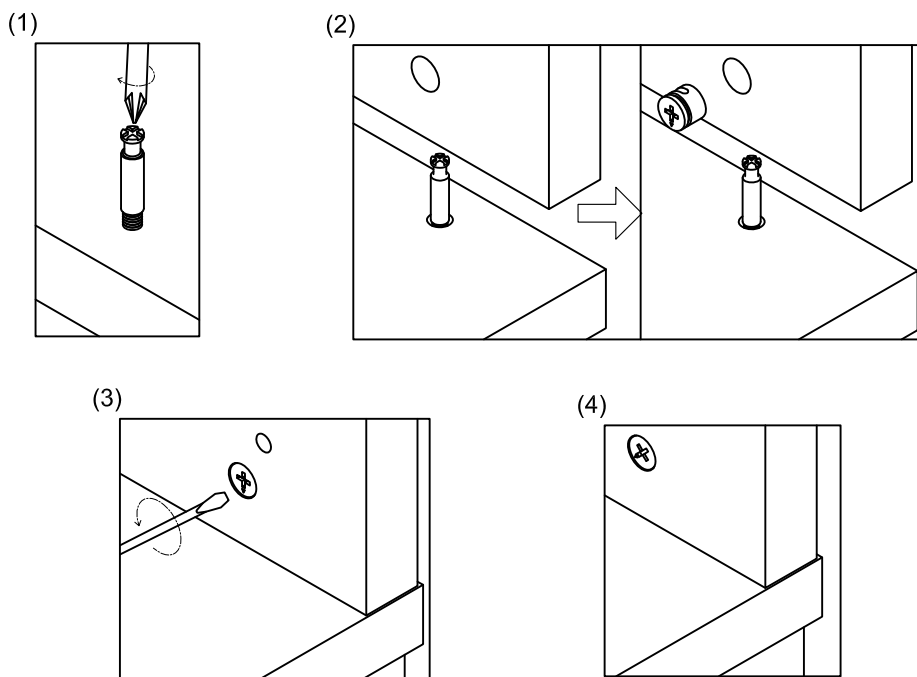


## WOODEN DOWEL INSTALLATION PROCEDURE

Gently tap dowel into hole with rubber mallet



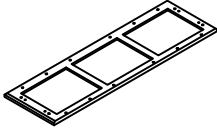
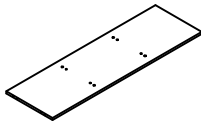
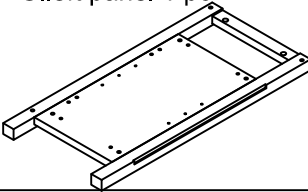
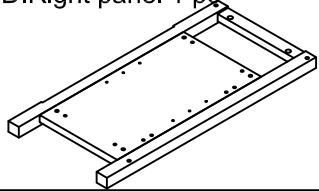
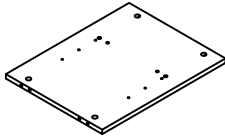
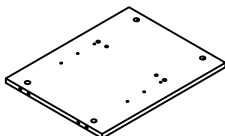
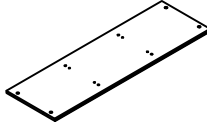
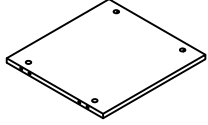
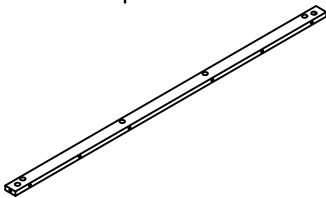
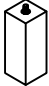
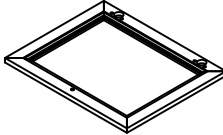
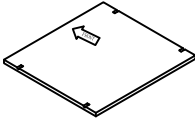
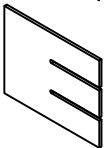
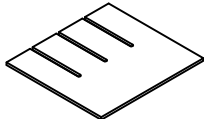
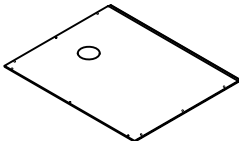
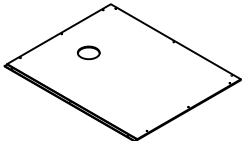
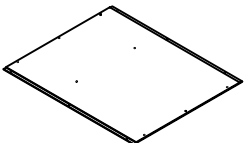
## HIDDEN CONNECTOR.....ASSEMBLY TECHNIQUES



Note: Please don't over-tighten the cam lock, otherwise, it will be broken.






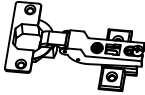
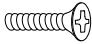
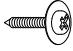


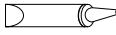
# PARTS LIST

## A Carton part list


<p>A:Top panel 1 pc</p> 	<p>B:Bottom panel 1 pc</p> 	<p>C:left panel 1 pc</p> 	<p>D:Right panel 1 pc</p> 
<p>E: Left partition1 pc</p> 	<p>F: Right Partition 1 pc</p> 	<p>G:Mid shelf 1 pc</p> 	<p>H: Shelf 1 pc</p> 
<p>I: Rall 3 pc</p> 	<p>J:Leg 1 pcs</p> 	<p>K:Door 2 pc</p> 	<p>L: Shelf 2 pc</p> 
<p>M: Wine lattices panl 3 pc</p> 	<p>N: Wine lattices panl 2 pc</p> 	<p>O: Left Back panel 1 pc</p> 	<p>P: Right Back panel 1 pc</p> 
<p>Q:Mid Back panel 1 pc</p> 	<p>HARDWARE PKG 1 pc IA 1 pc</p>		

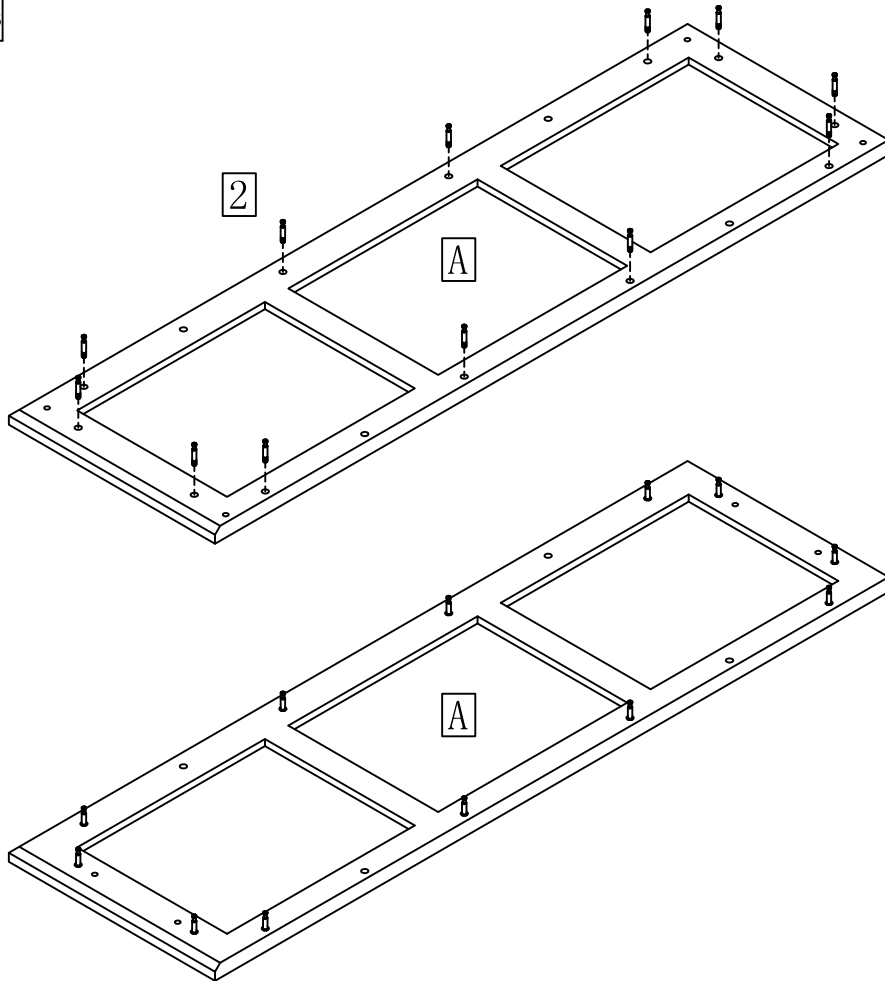
# PARTS LIST

## HARDWARE LIST

<p>1:Cam lock 42 pcs</p>  <p style="text-align: center;">Ø15*10.5</p>	<p>2:Cam bolt 42 pcs</p>  <p style="text-align: center;">Ø6*32</p>	<p>3:Wood plug 30 pcs</p>  <p style="text-align: center;">Ø8*30</p>	<p>4:Pull knob 2 pcs</p> 
<p>5:Screw 2 pcs</p>  <p style="text-align: center;">Ø4x18</p>	<p>6.Hinge 4pcs</p>  <p style="text-align: center;">Ø26</p>	<p>7:Screw 16 pcs</p>  <p style="text-align: center;">Ø4.0x12</p>	<p>8:Wood screw 32 pcs</p>  <p style="text-align: center;">Ø3.0*12</p>
<p>9.Shelf support pin 8 pc</p>  <p style="text-align: center;">Ø8x5x16</p>	<p>10.Sticker 8 pcs</p> 	<p>11.: Glue tube 2 pc</p> 	

### Step 1

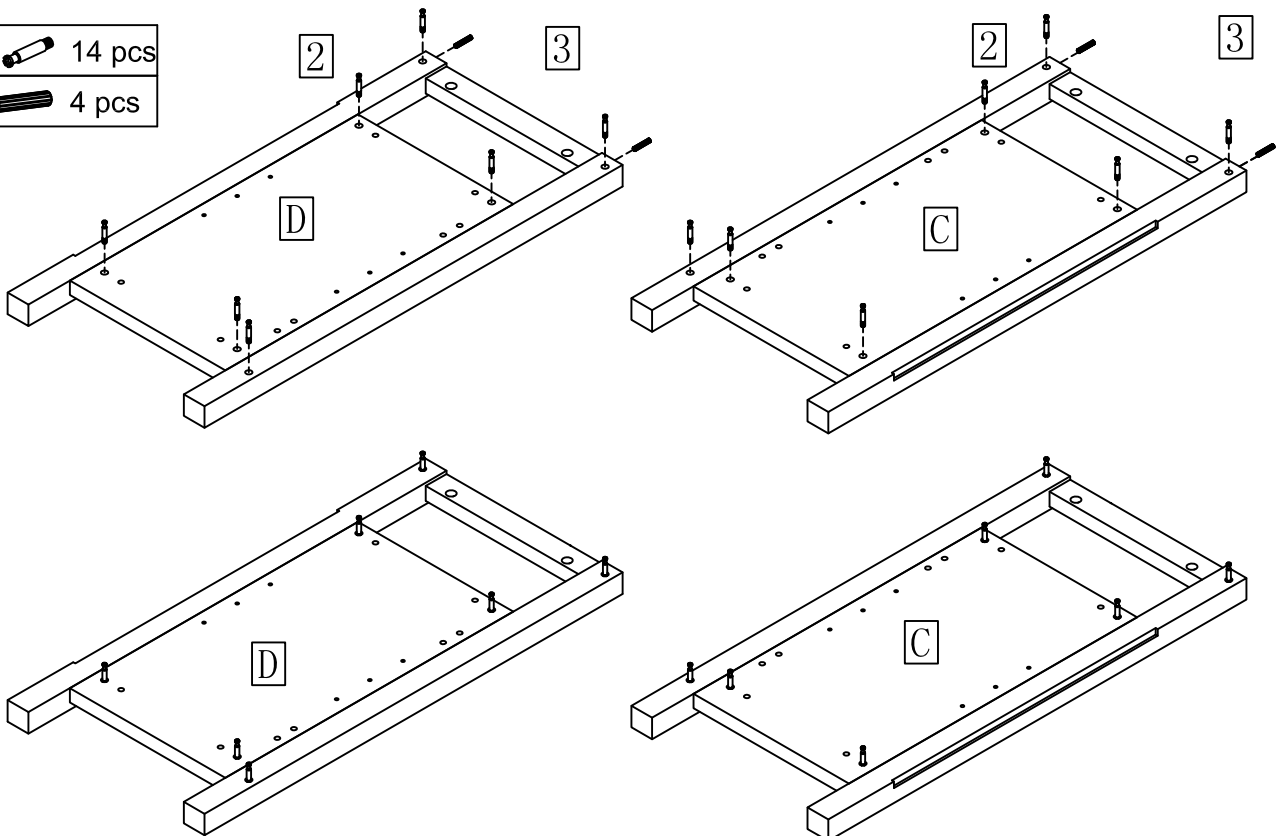
2:  12 pcs





### Step 2

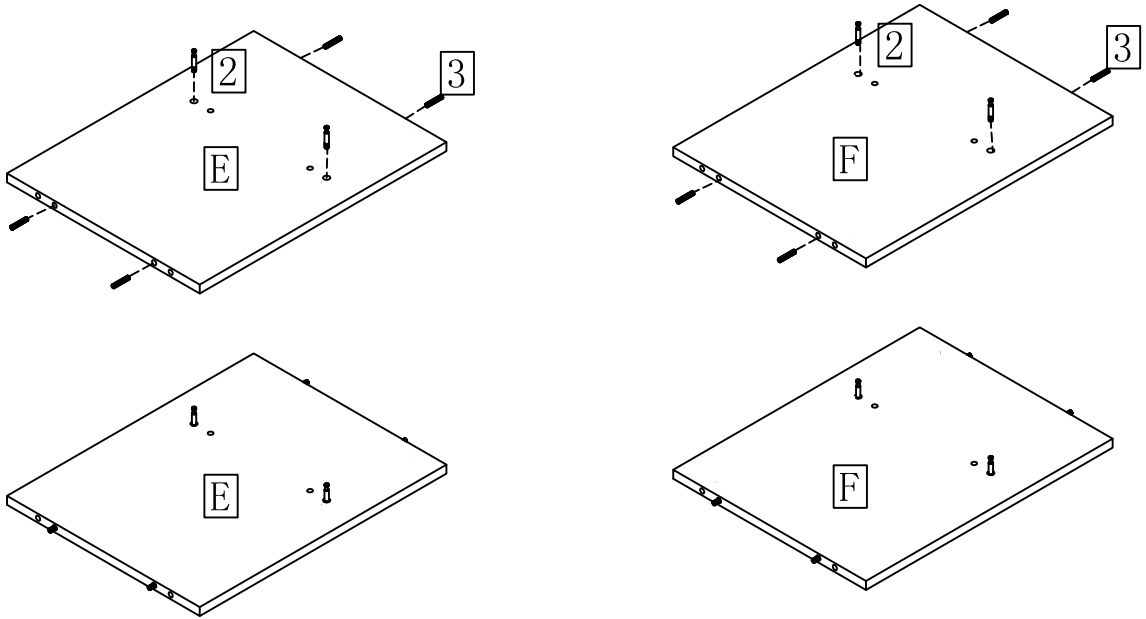
2:  14 pcs

3:  4 pcs





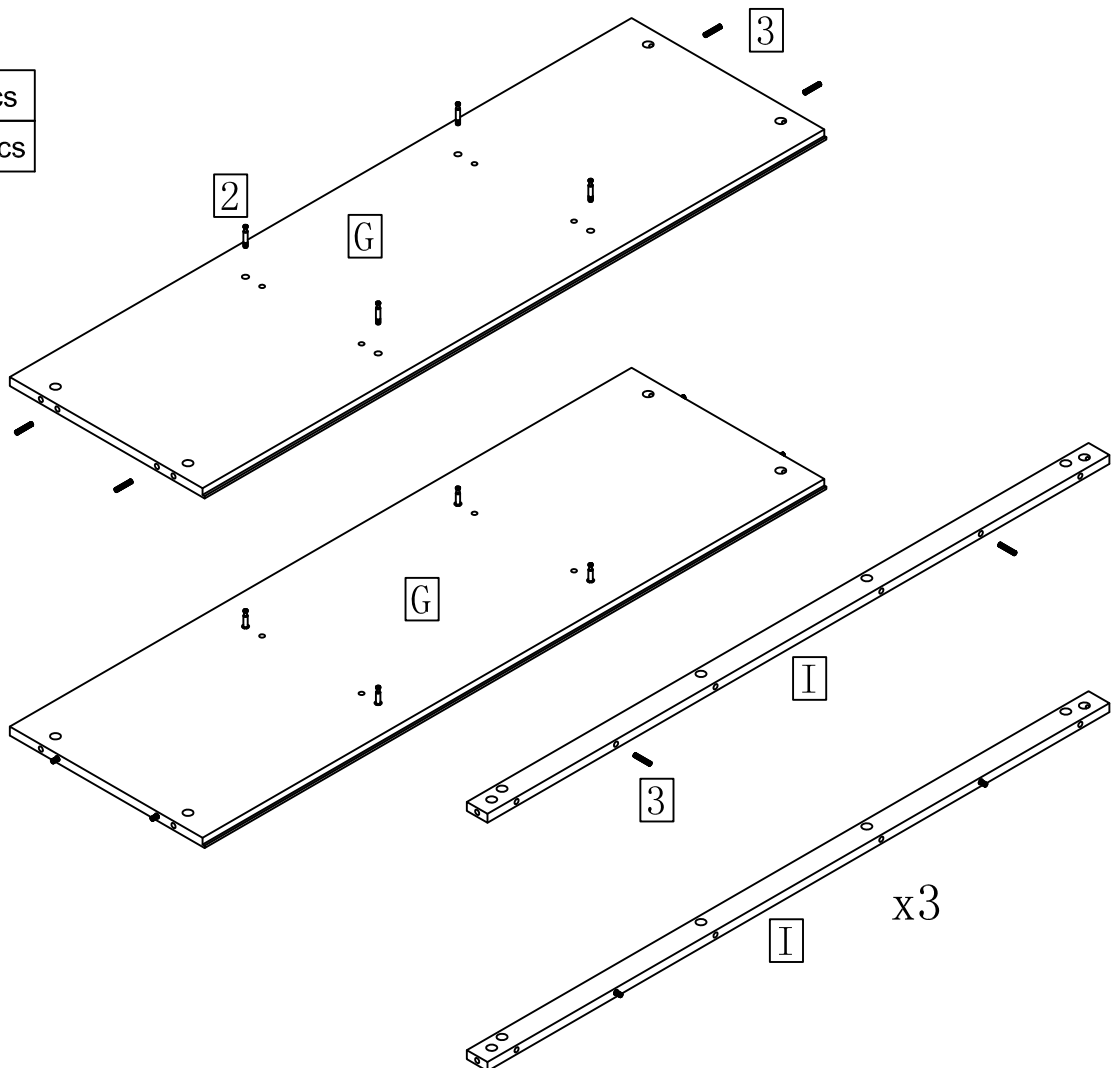
### Step 3

- 2:  4 pcs
- 3:  8 pcs





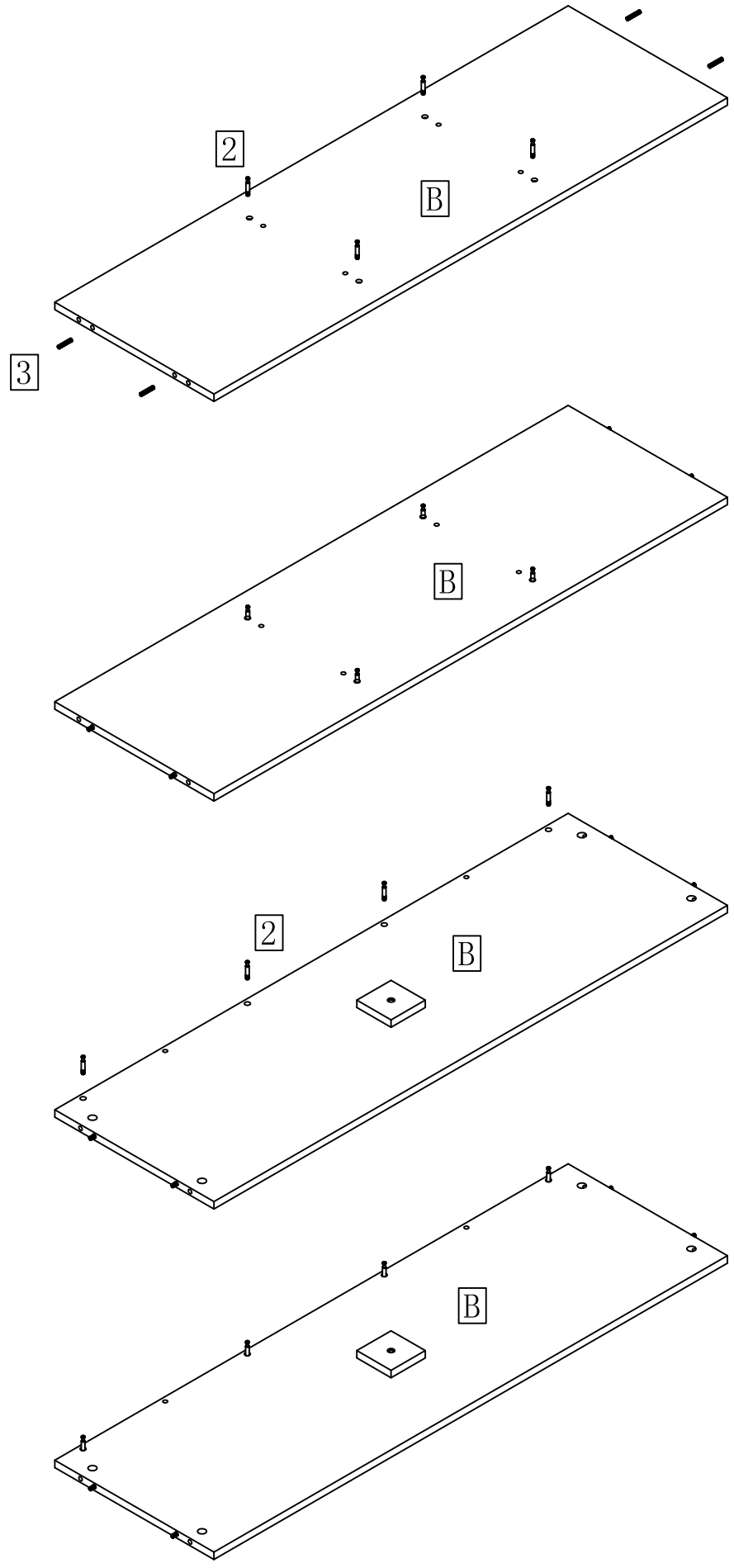
### Step 4

- 2:  4 pcs
- 3:  10 pcs



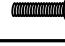

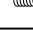


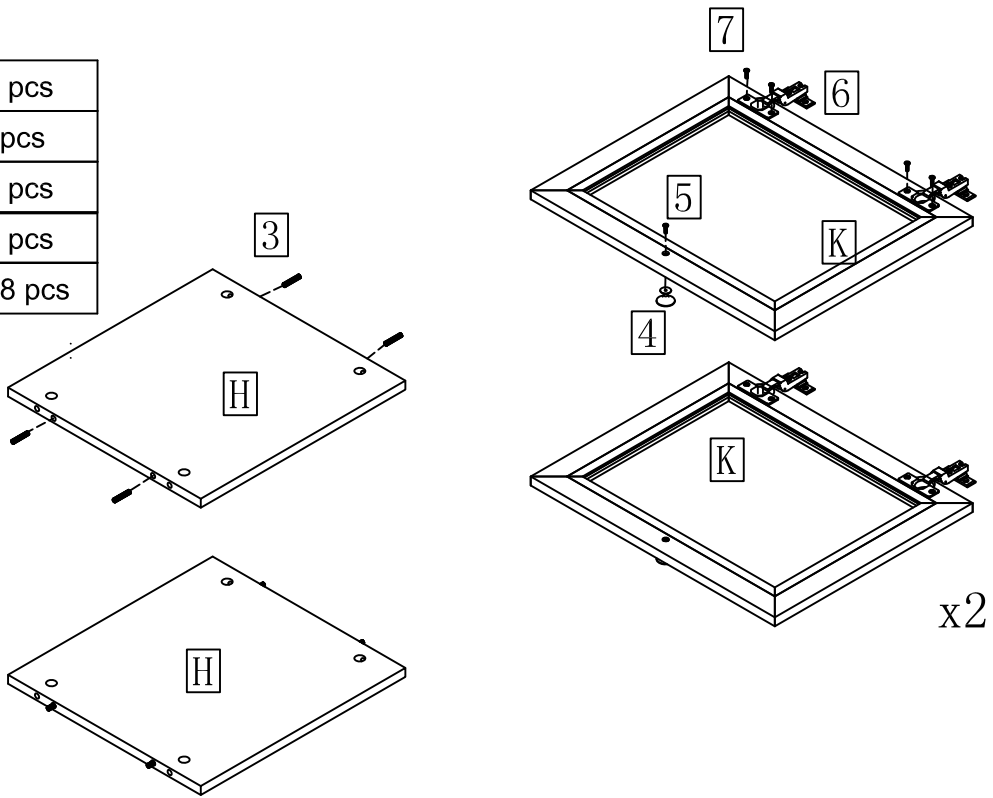
# Step 5

- 2:  8 pcs
- 3:  4 pcs

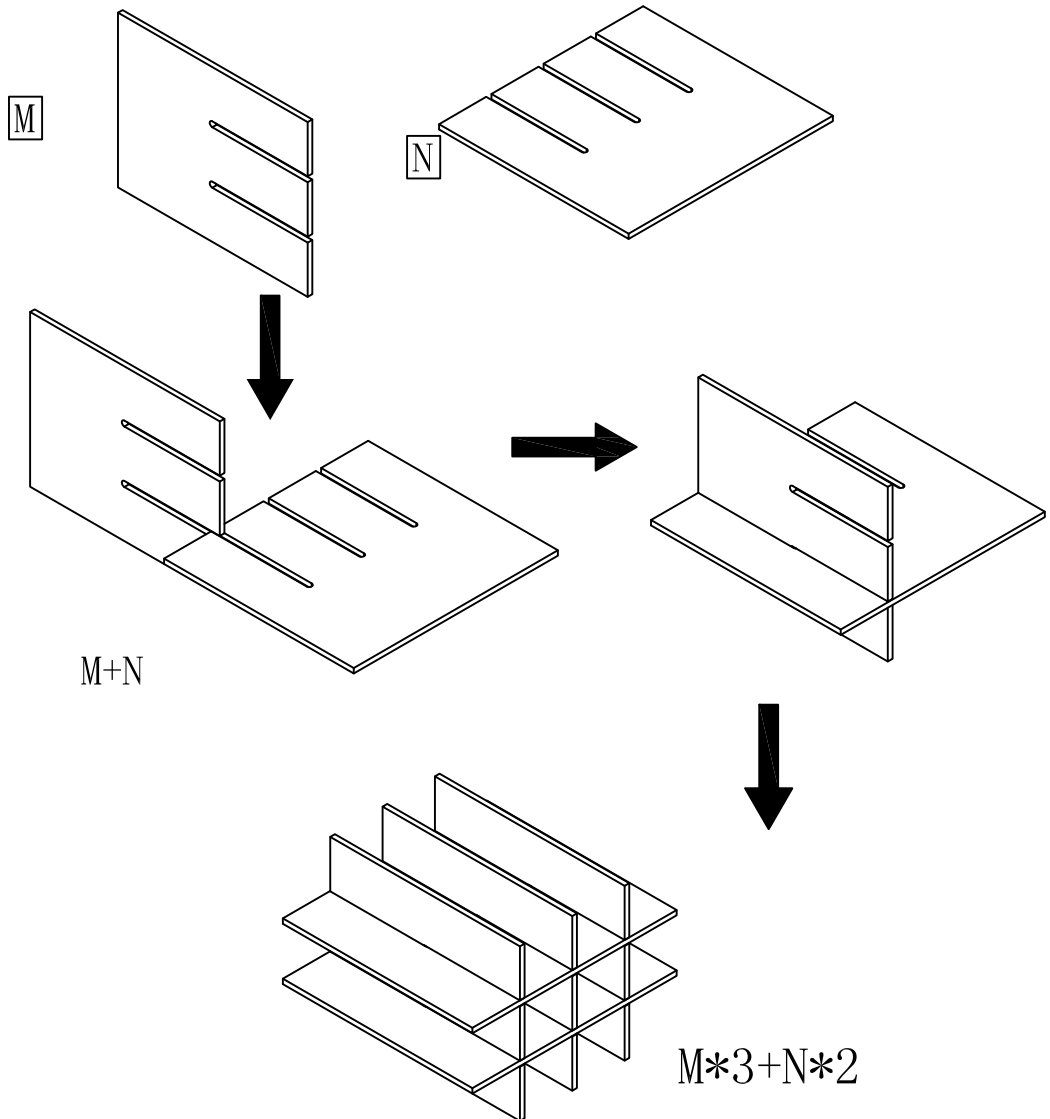


### Step 6

- 3:  4 pcs
- 4:  2 pcs
- 5:  2 pcs
- 6:  4 pcs
- 7:  8 pcs



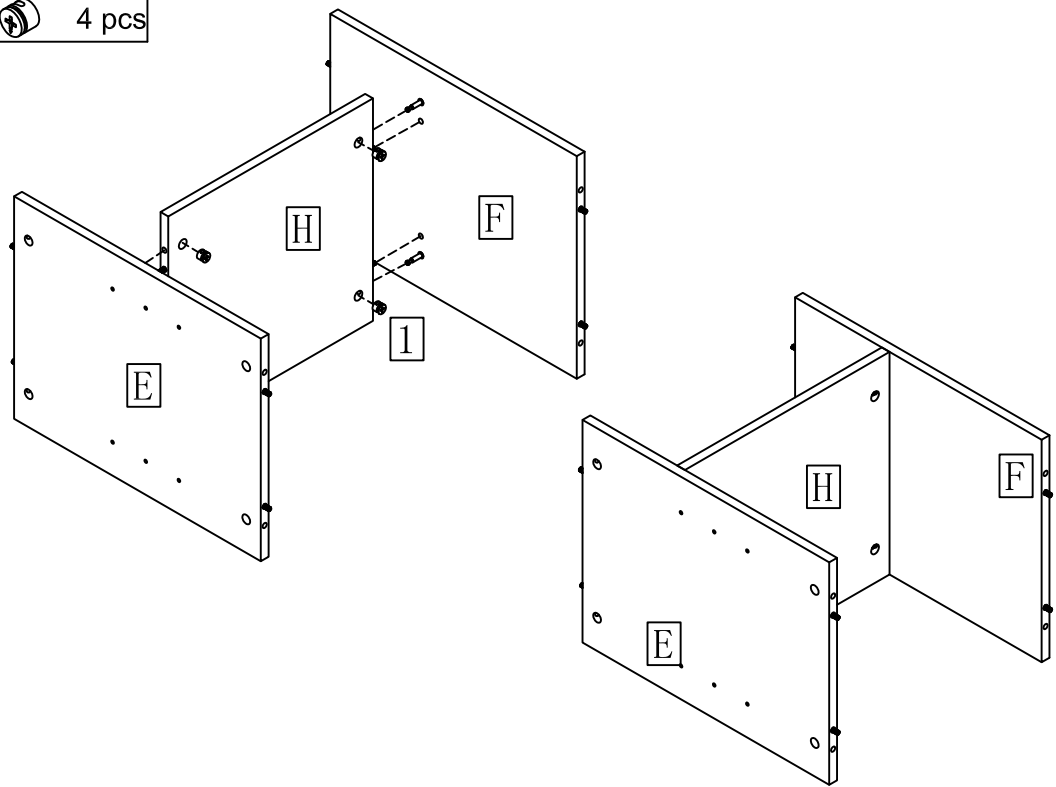
### Step 7





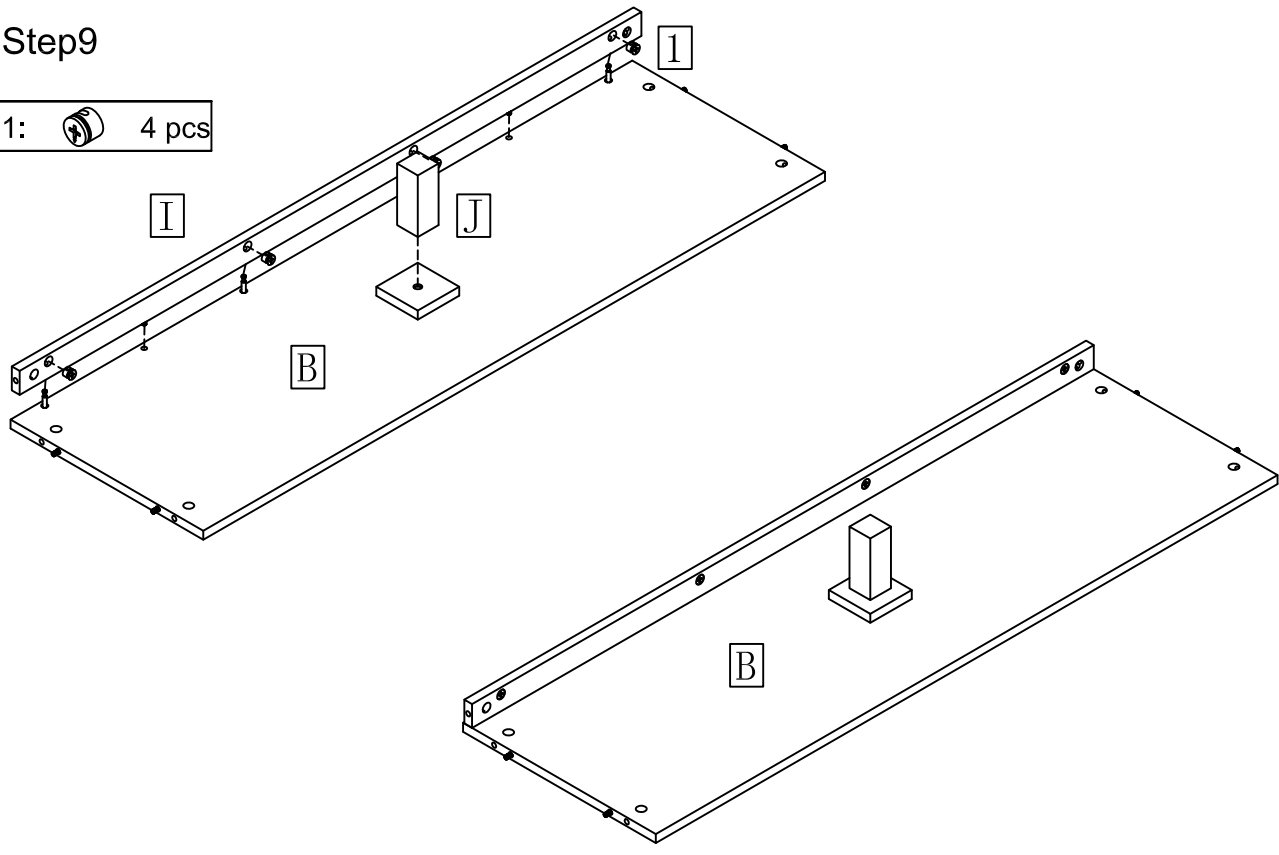
### Step8

1:  4 pcs



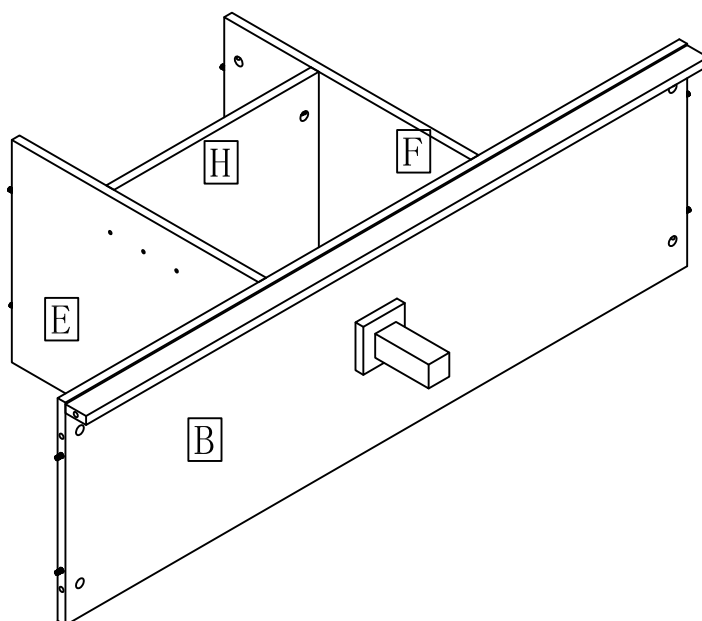
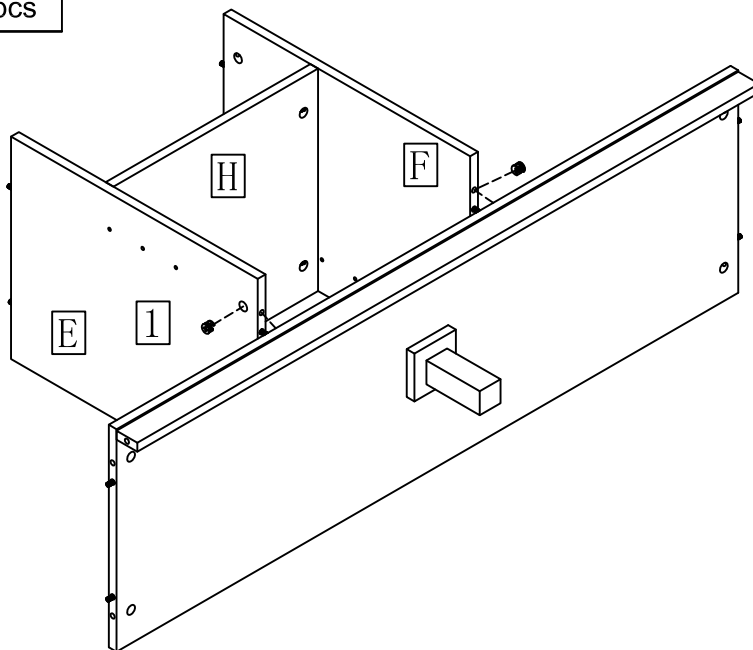
### Step9

1:  4 pcs



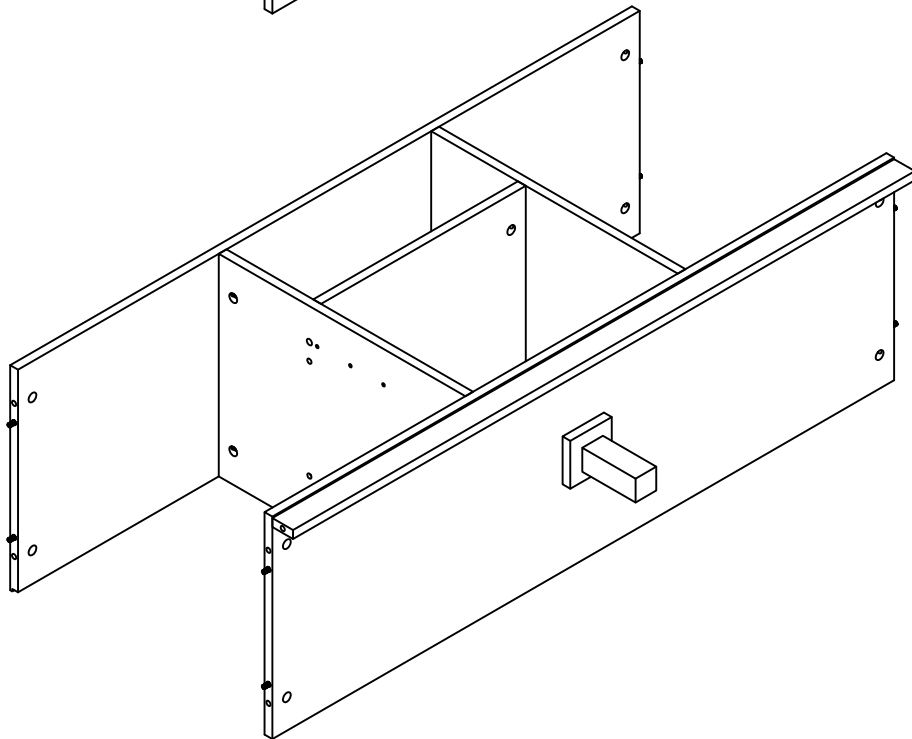
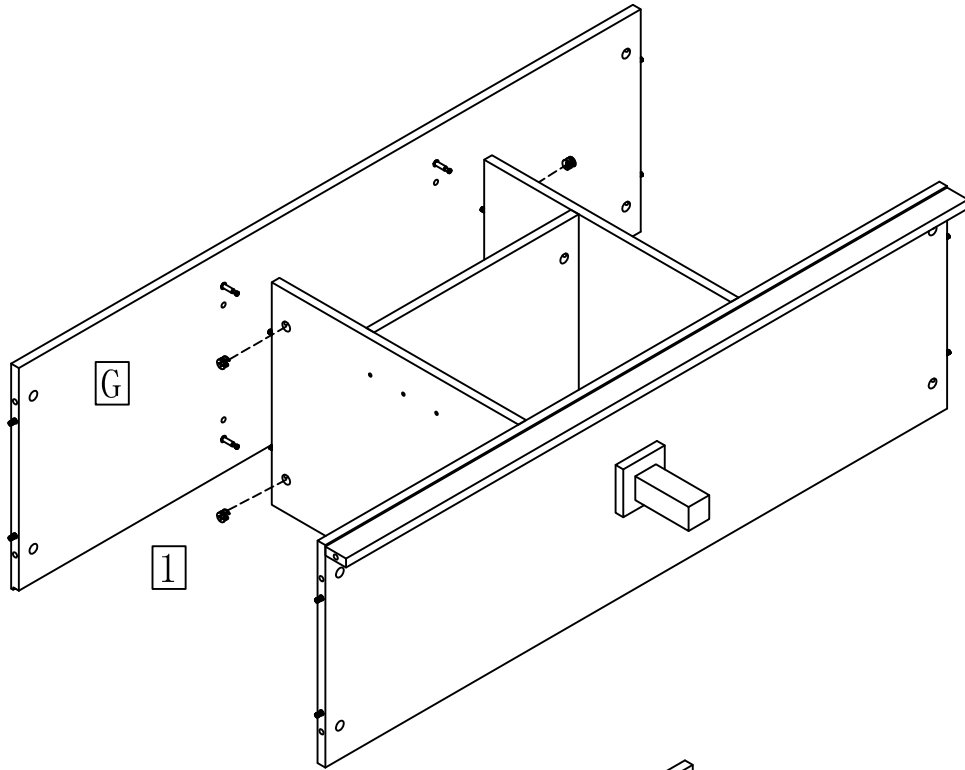
Step 10

1:  4 pcs



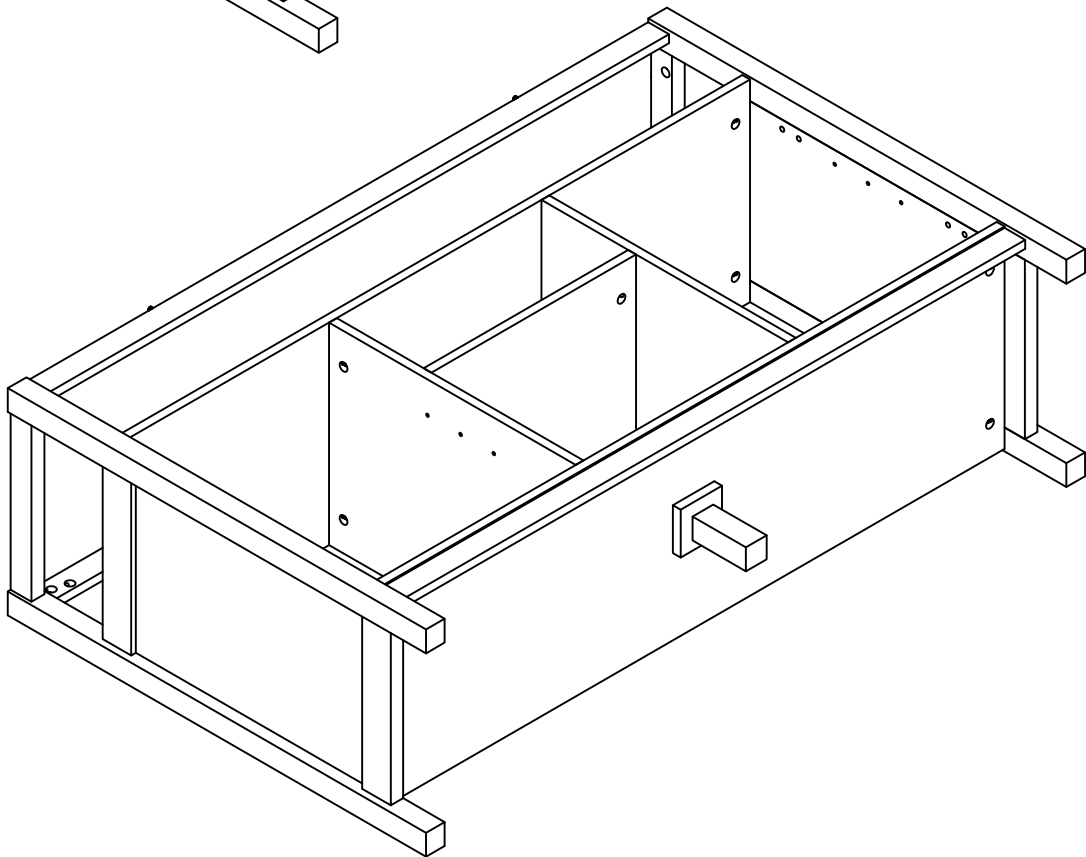
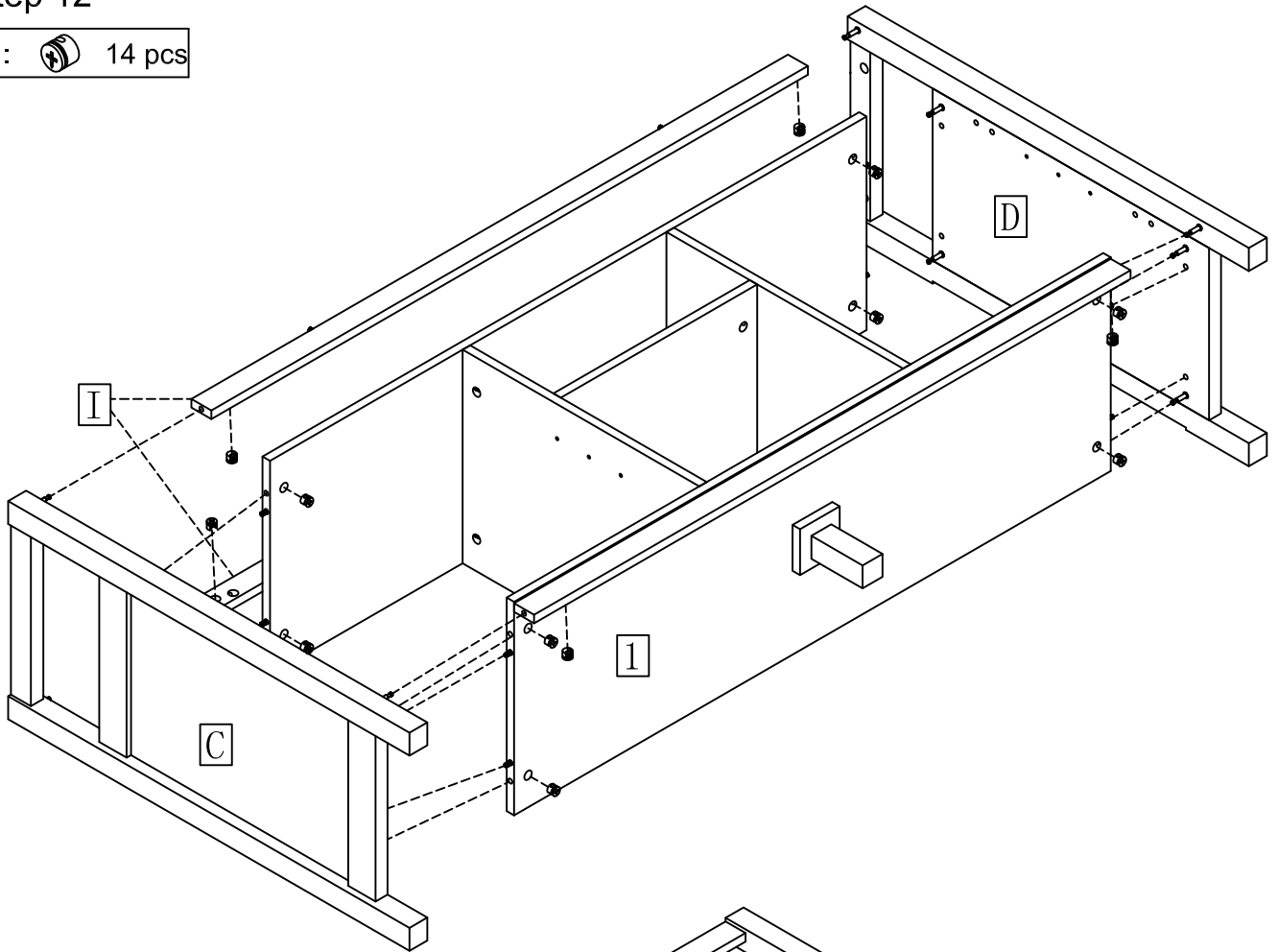
# Step 11

1:  4 pcs




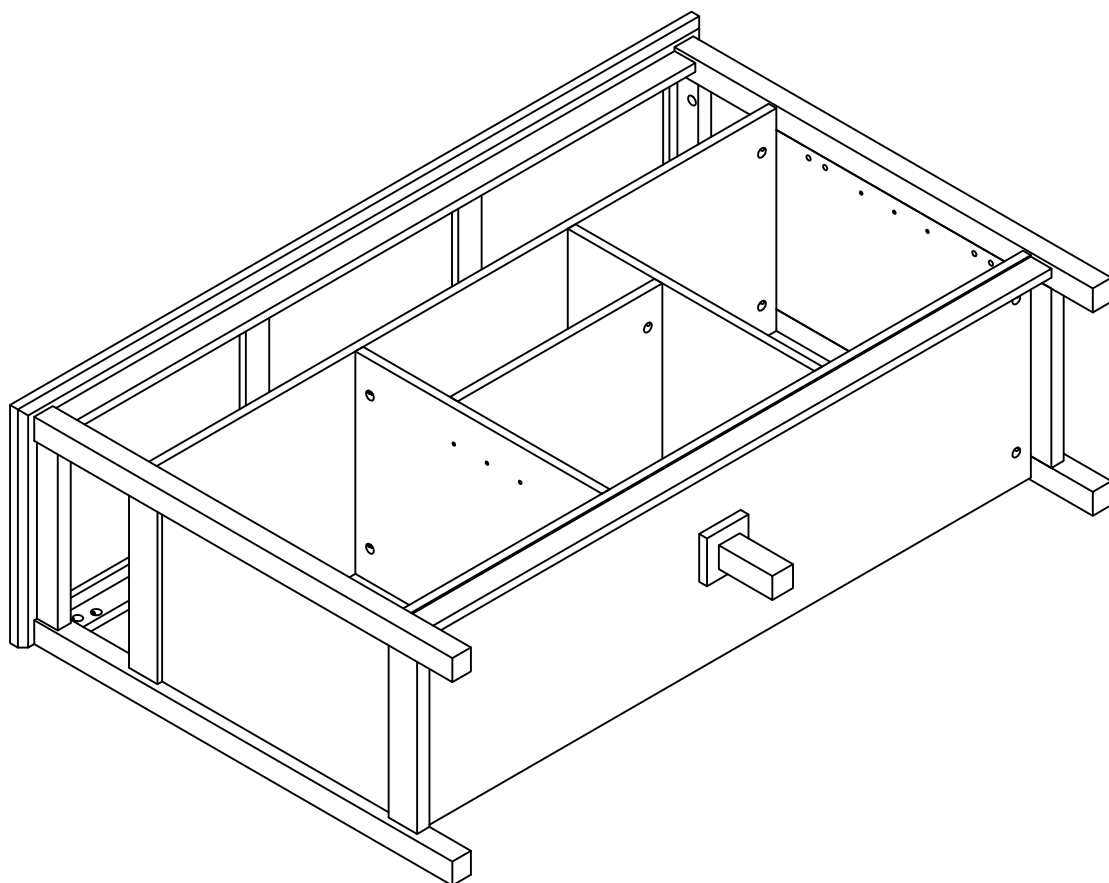
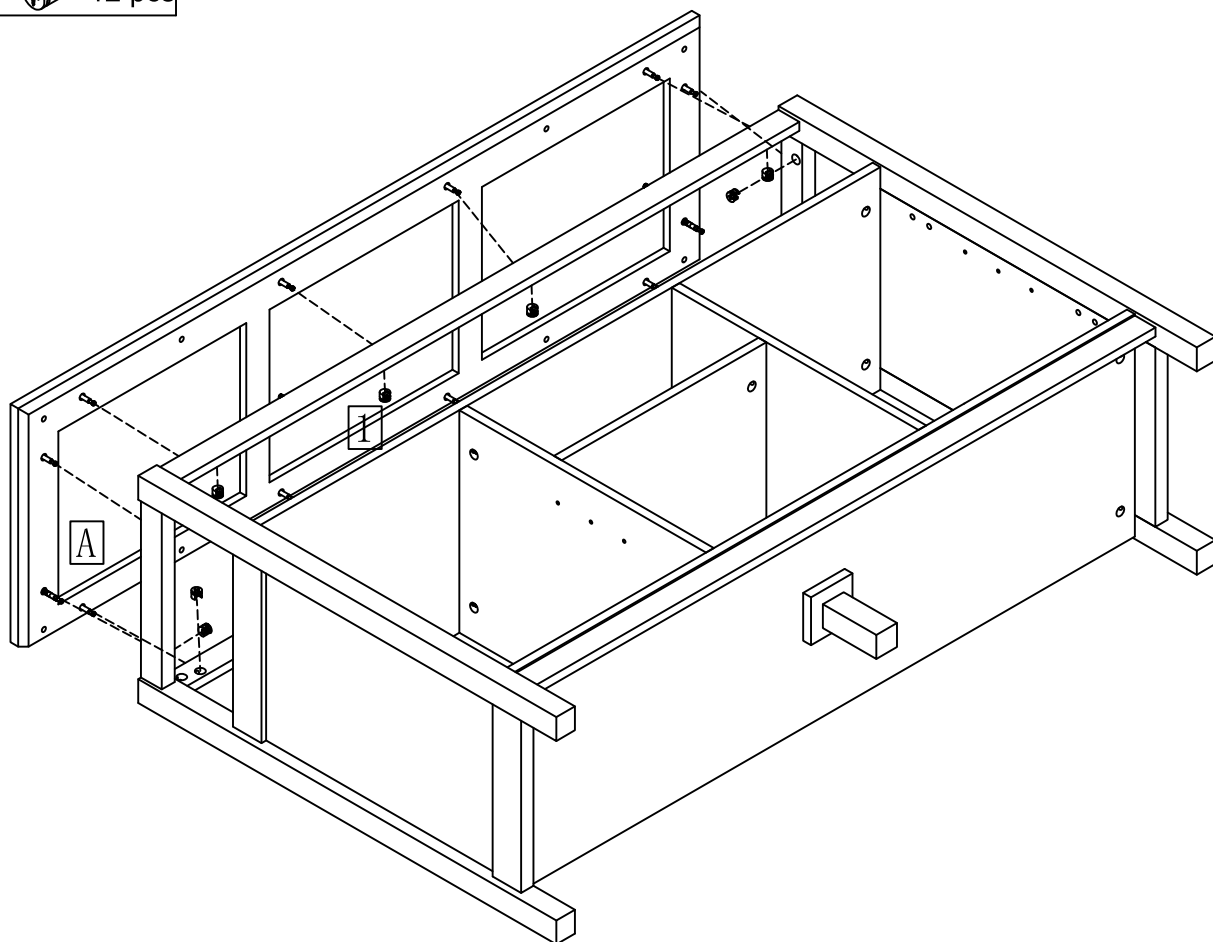
Step 12

1:  14 pcs




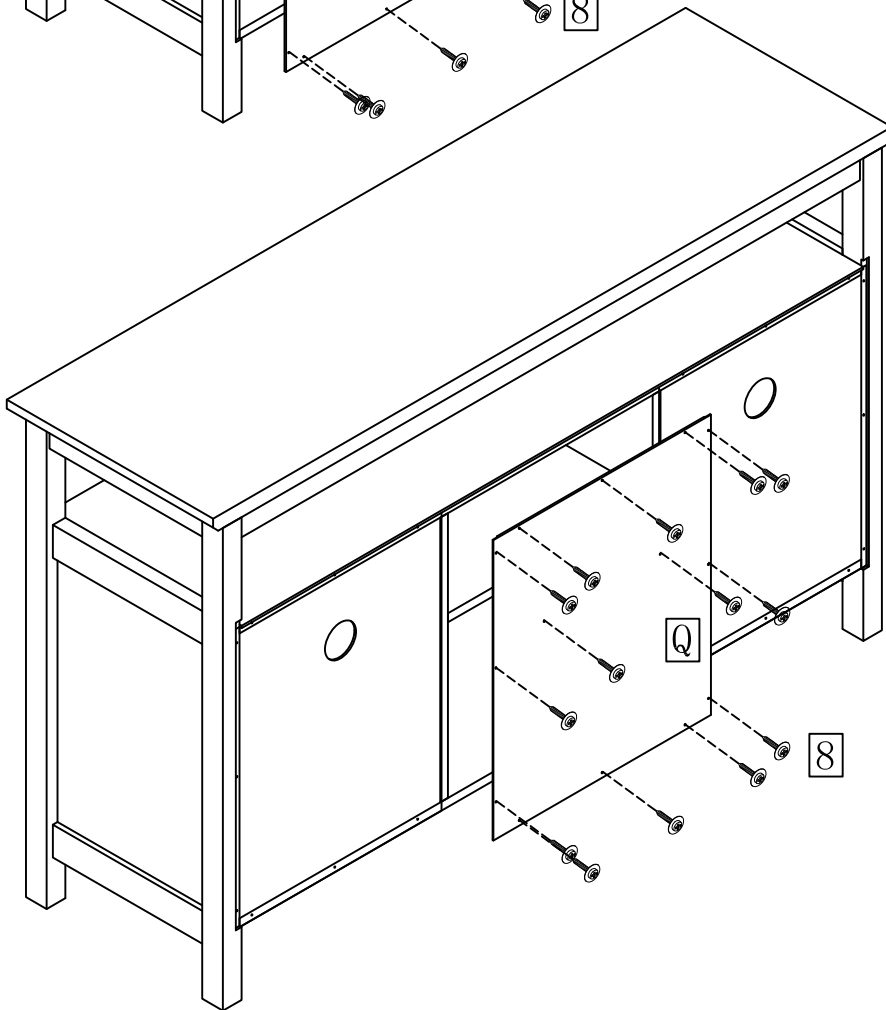
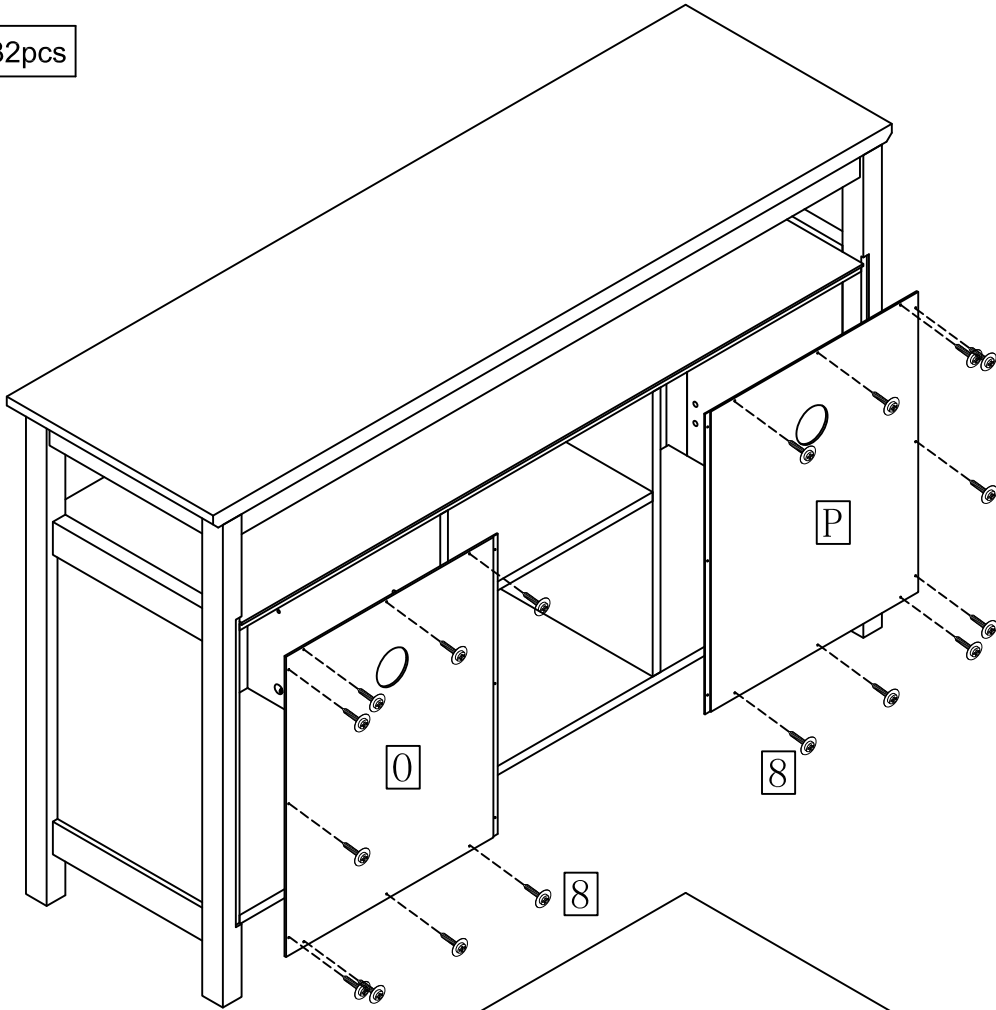
# Step 13

1:  12 pcs

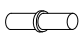



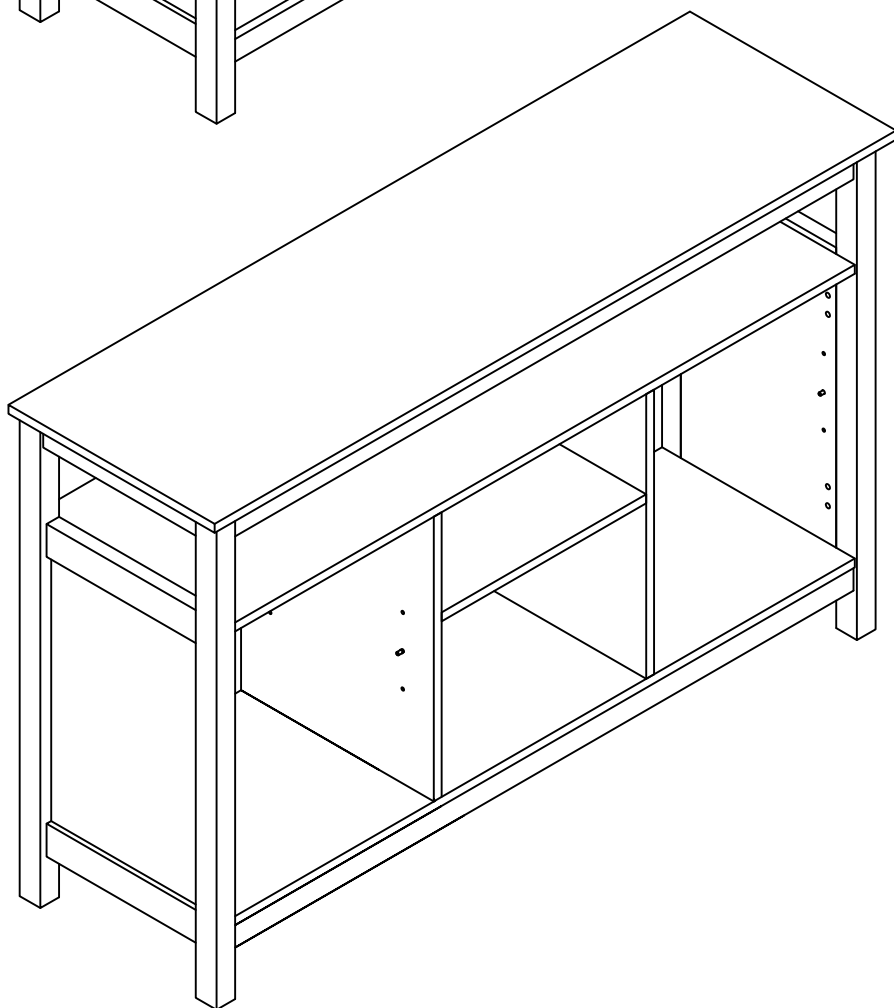
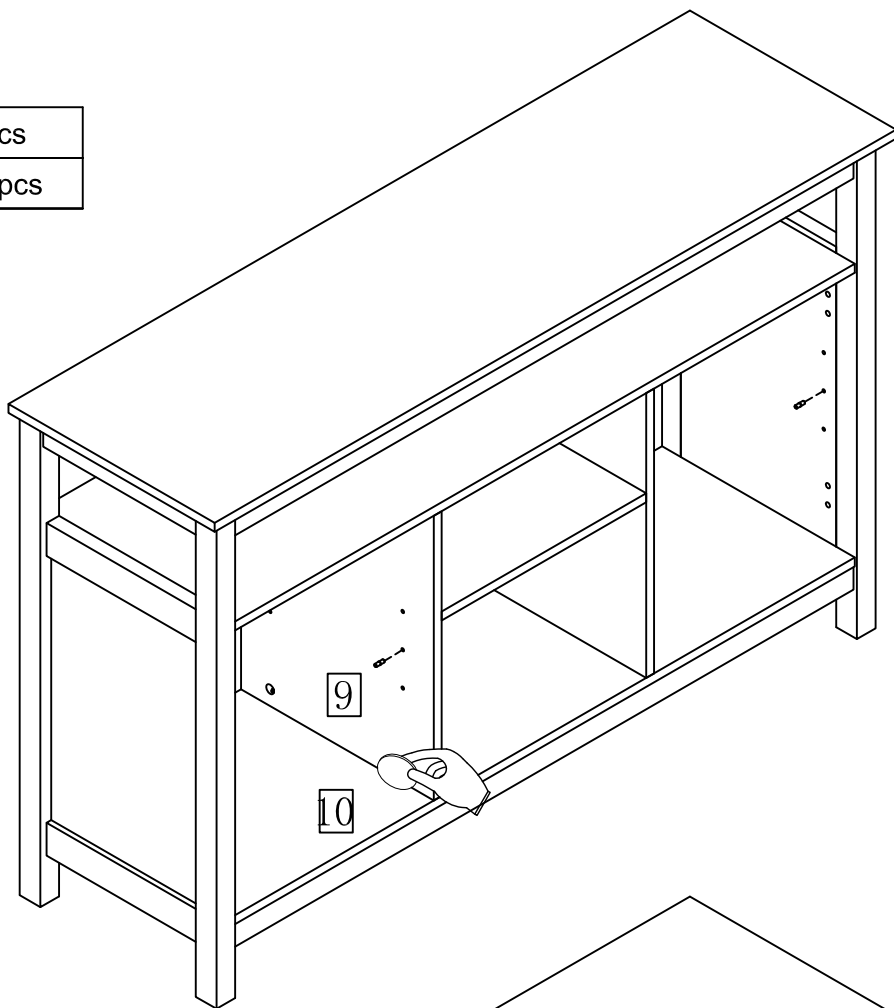
Step 14

8:  32pcs

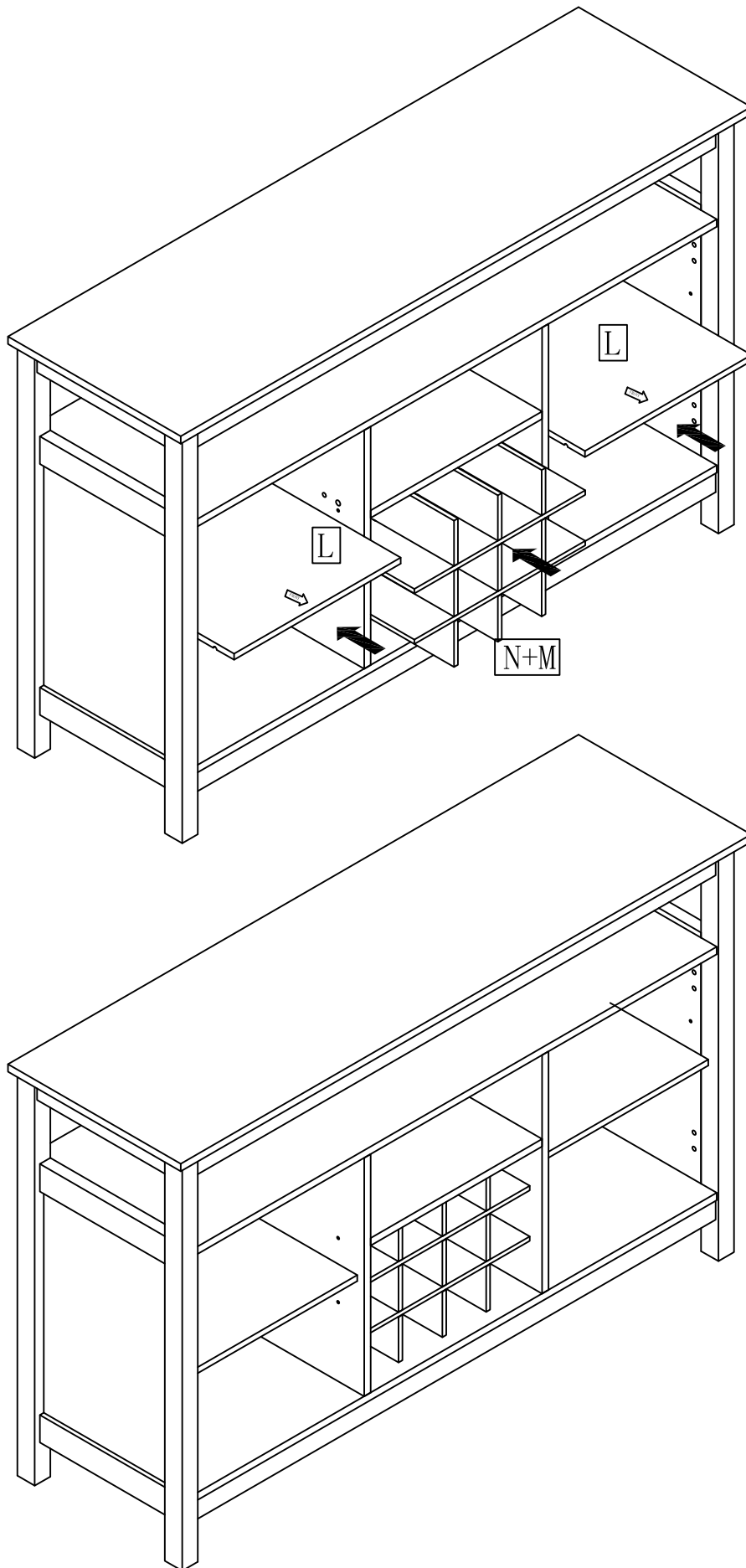


# Step 15

- 9:  8 pcs
- 10:  8 pcs



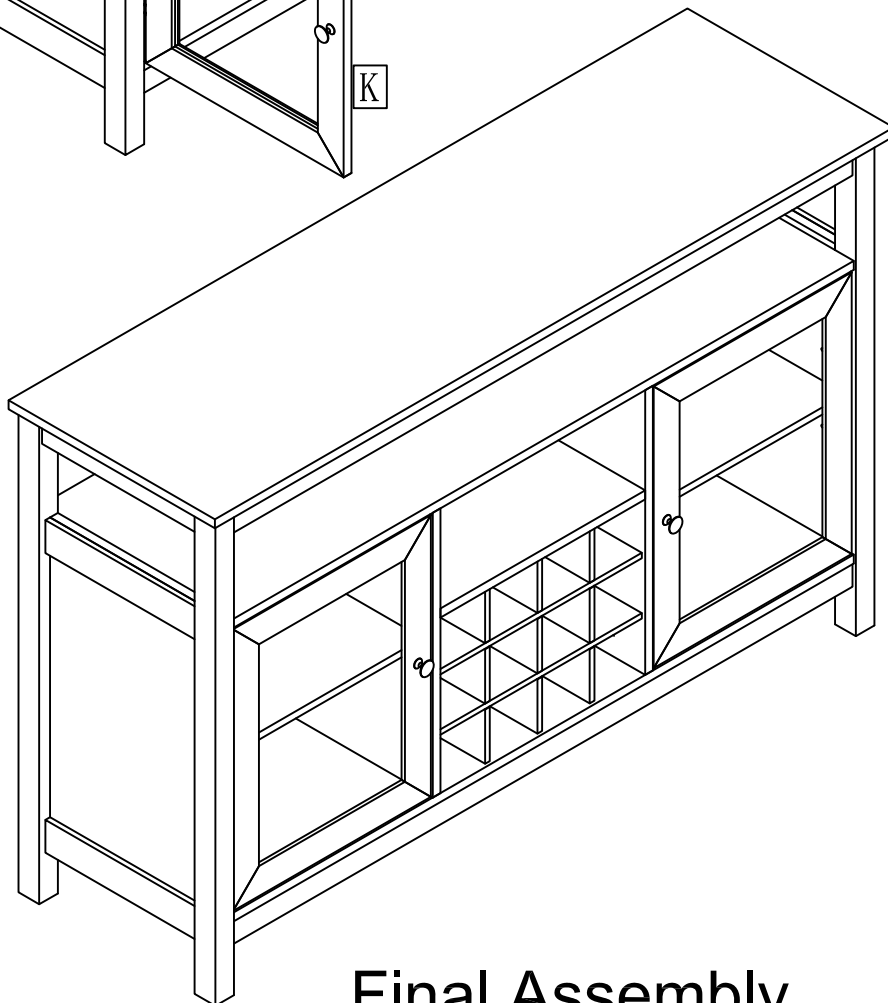
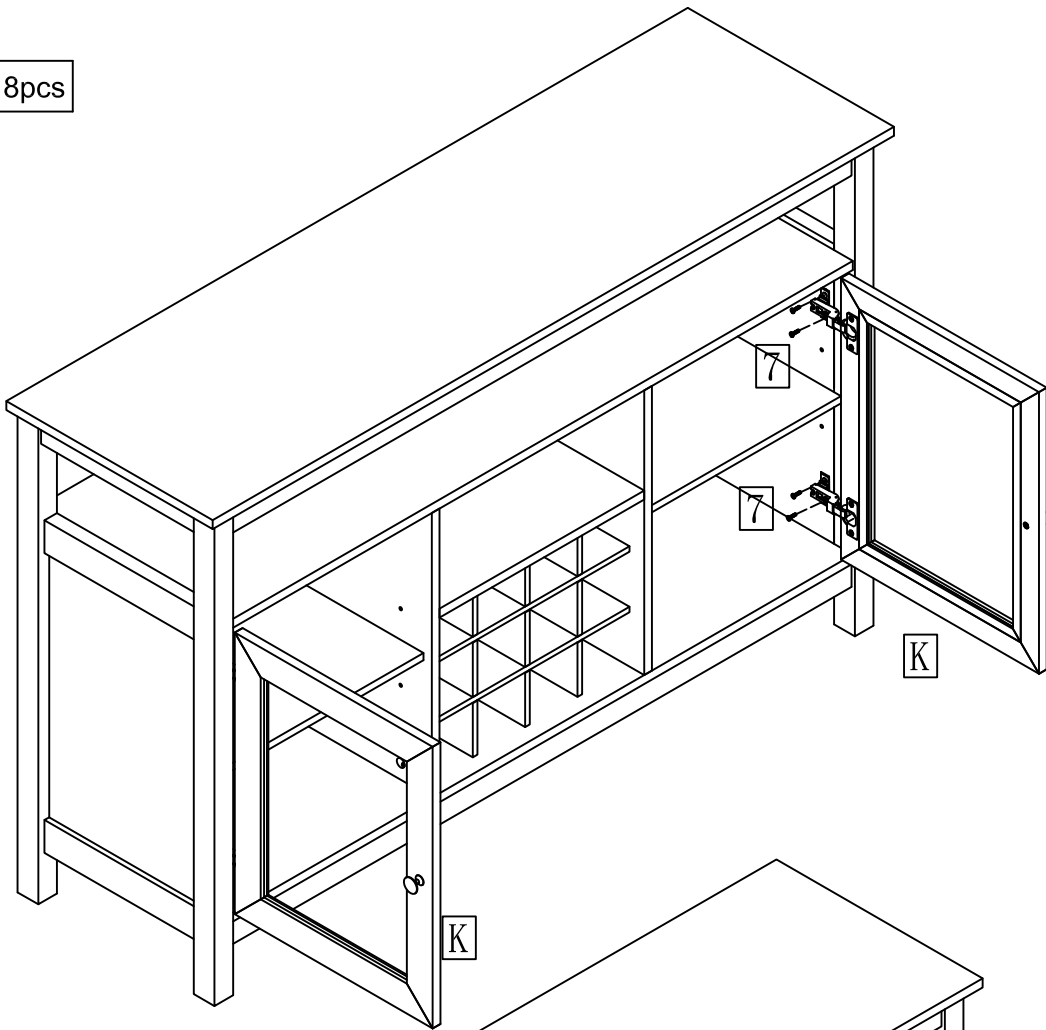
Step 16





Step 17

7:  8pcs



Final Assembly