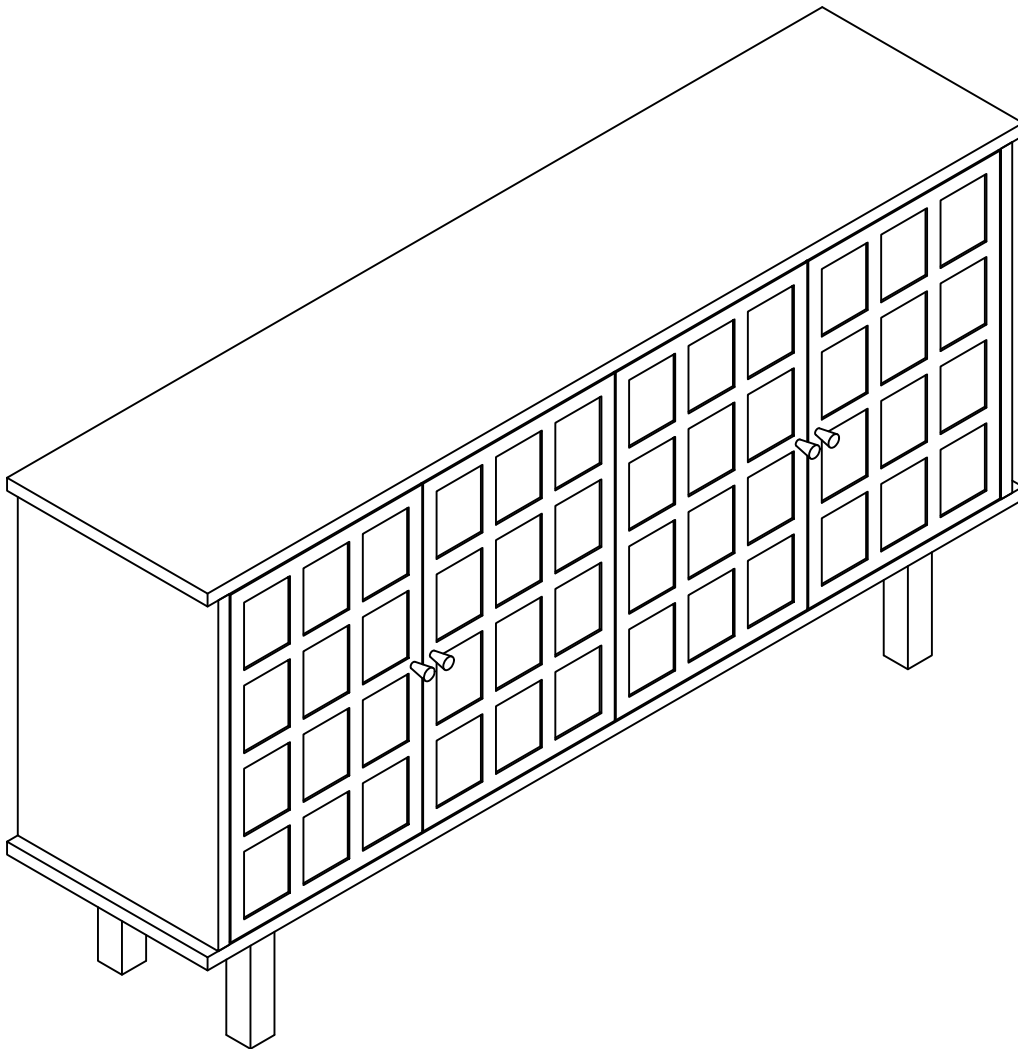


Item # :GMDS008-BLHO

Assembly Instructions

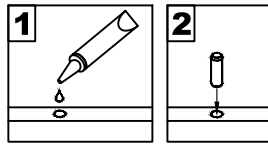


If you find any damage after opening, please be sure to take pictures of the damage and contact us. We will help you solve the problem as soon as possible.

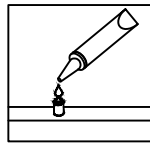
Thank You!

General Assembly Guidelines

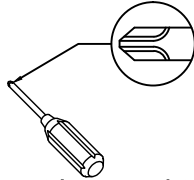
- I. Ensure that all parts and hardware are available before beginning assembly.
- II. Follow each step carefully to ensure the proper assembly of this product.
- III. Two people are recommended for ease in the assembly of this product.
- IV. The three main types of hardware used to assemble this product are: wood dowels, screws and bolts.
- V. The provided glue is to secure wood dowels in place. When first inserting dowels, locate the appropriate hole for the dowel, place a small amount of glue in the hole and insert the dowel. Wipe away excess glue immediately.



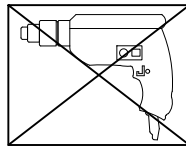
In future assembly steps when dowels are necessary to attach assembly parts together, place a small amount of glue on the end of the dowel before attaching parts together. Wipe away excess glue immediately.



- VI. A Phillips head screwdriver is required for the assembly of this product.

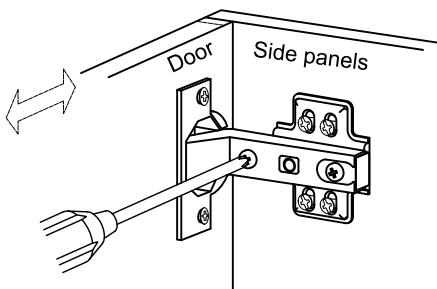


- VII. Power tools should not be used to assemble this product.

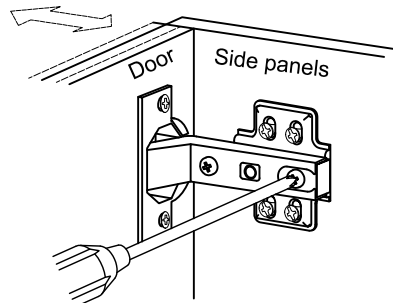


- VIII. Drill may be needed for securing product to wall.

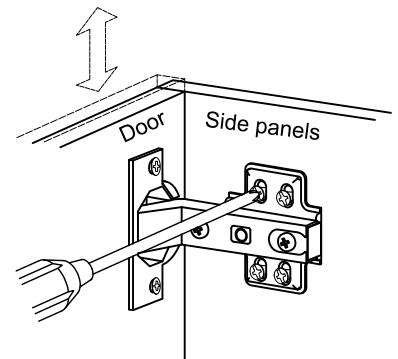
- IX. Concealed hinges are three-way adjustable.



Horizontal
by screw adjustment



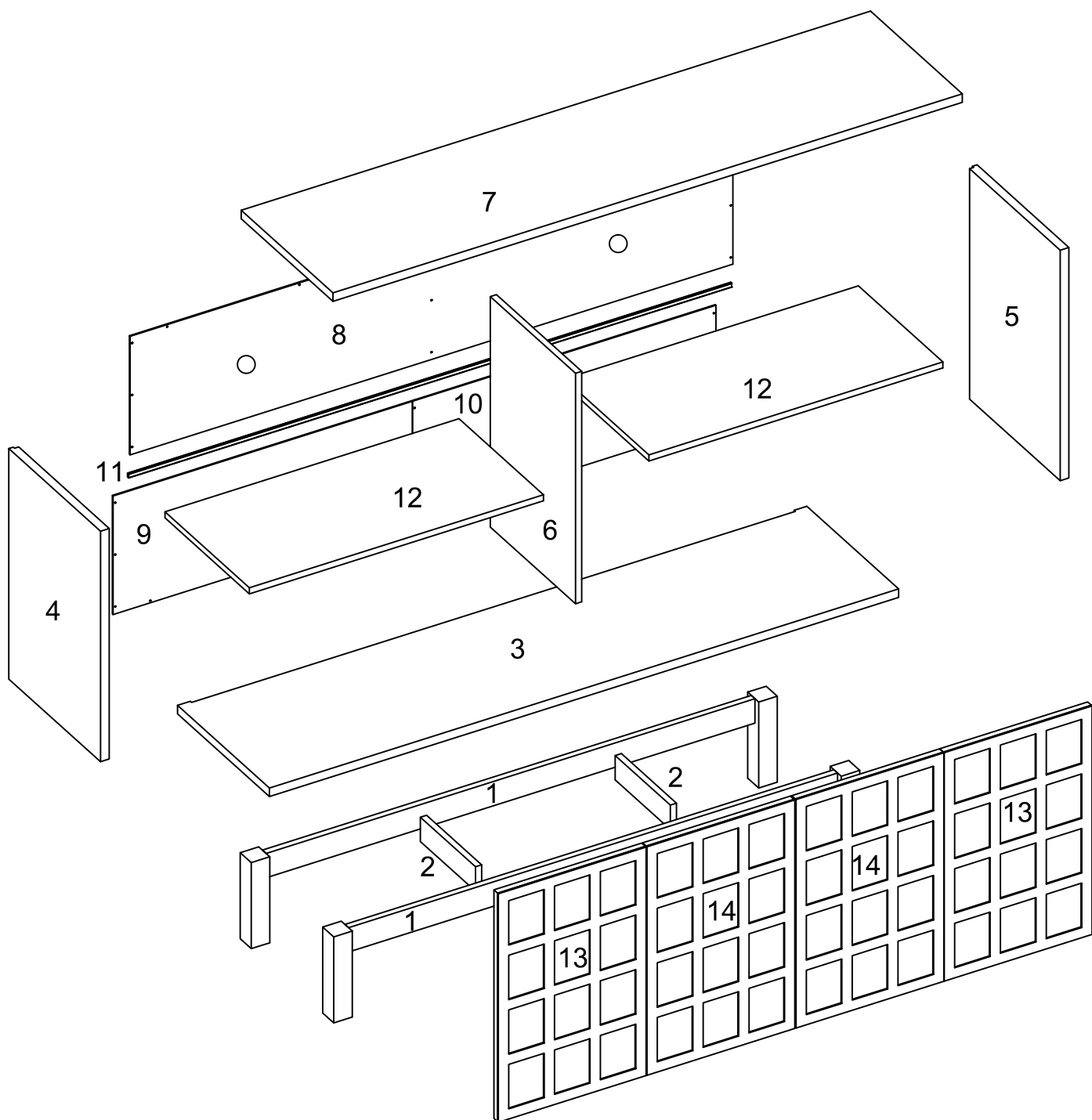
In-and-Out
by loosening the hinge-arm
mounting screw or via cam
adjustment



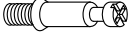




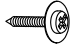








Vertical
Via slots in the mounting
plate or via cam adjustment

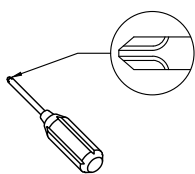
Parts List

Please keep small parts out of reach of children and pet.



Hardware List

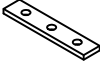



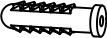
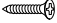
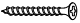


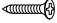
A		Ø6x35	Cam bolt	25 pcs
B		Ø8x30	Wooden dowel	25 pcs
C		Ø15x9.5	Cam lock	25 pcs
D			Sticker	25 pcs
E			Shelf support pin	8 pcs
F		Ø3*12	Screw	29 pcs
G		M4 mm	Hex key	1 pcs
H			A Hinge	4 pcs
I			B Hinge	4 pcs
J		Ø4x12	Bolt	48 pcs
K		Ø6x25	Bolt	4 pcs
L		Ø6x15	Bolt	8 pcs
M			Spring Washer	12 pcs
N			Flat Washer	12 pcs

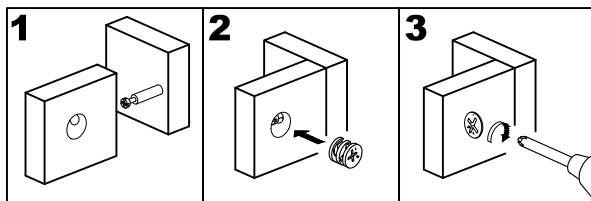


Philips head screwdriver required for assembly
(not included)

*The hardware quantities listed above are required for proper assembly.
Some extra hardware may also have been included.*

Hardware List

O		90*20*3	Plate	4 pcs
P			Door knob	4 pcs
Q		Ø4x20	Bolt	4 pcs
R			Plastic strap	2 pcs
S			Nut	2 pcs
T		Ø4*15	Screw	2 pcs
U		Ø4*25	Screw	2 pcs
V			Glue tube	1 pcs
W			Door Stopper	2 pcs
X		Ø3*12	Screw	4 pcs

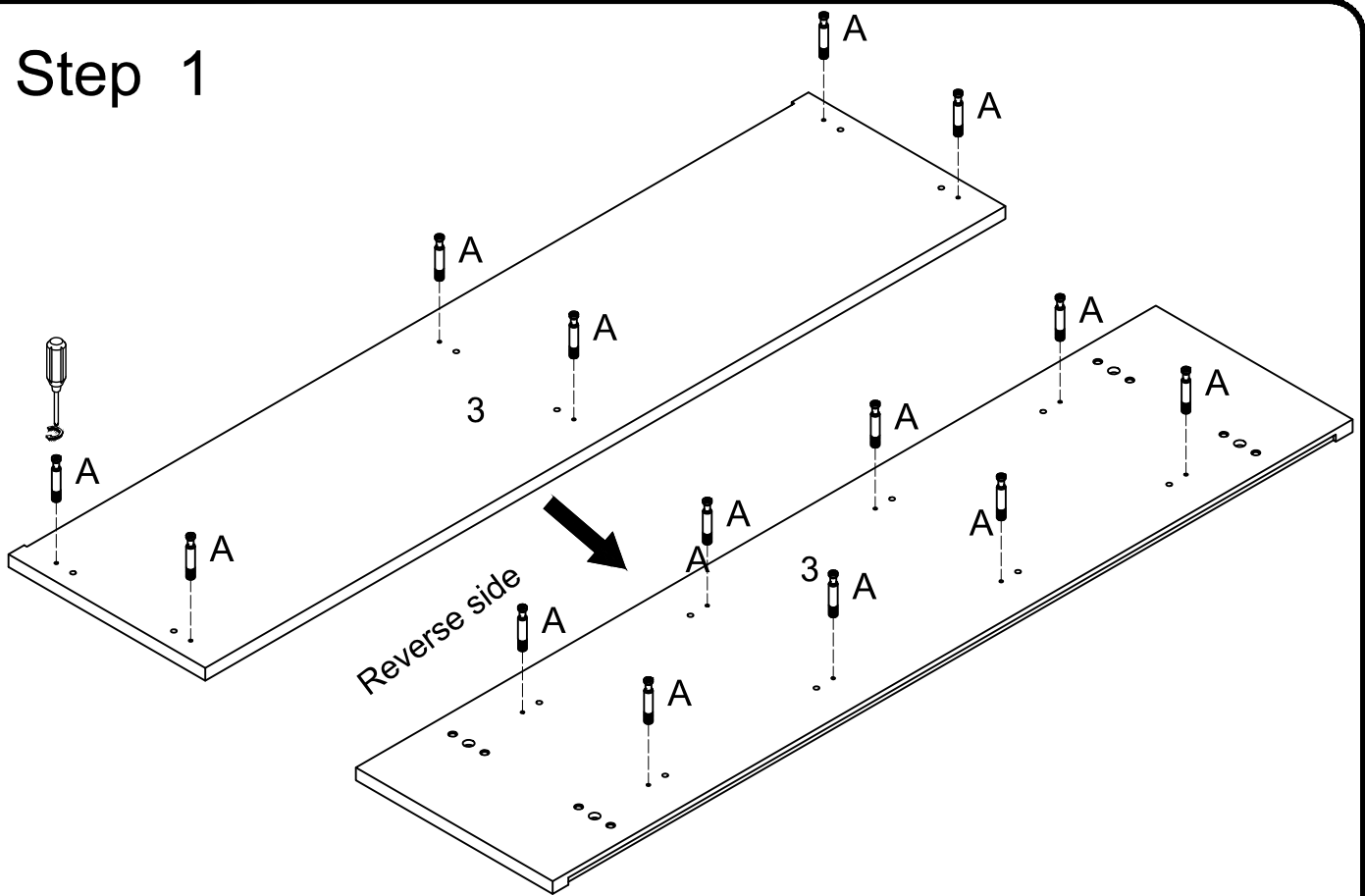


1. Push the cam bolt into the entry hole.
2. Insert the cam lock. Ensure that the arrow on the top of the cam lock points towards the entry hole for the cam bolt.
3. Turn the cam lock clockwise with a screwdriver. You should feel a click when the cam lock is locked in place. The joint is now secure.

Note: If more torque is applied, it may break the nut.

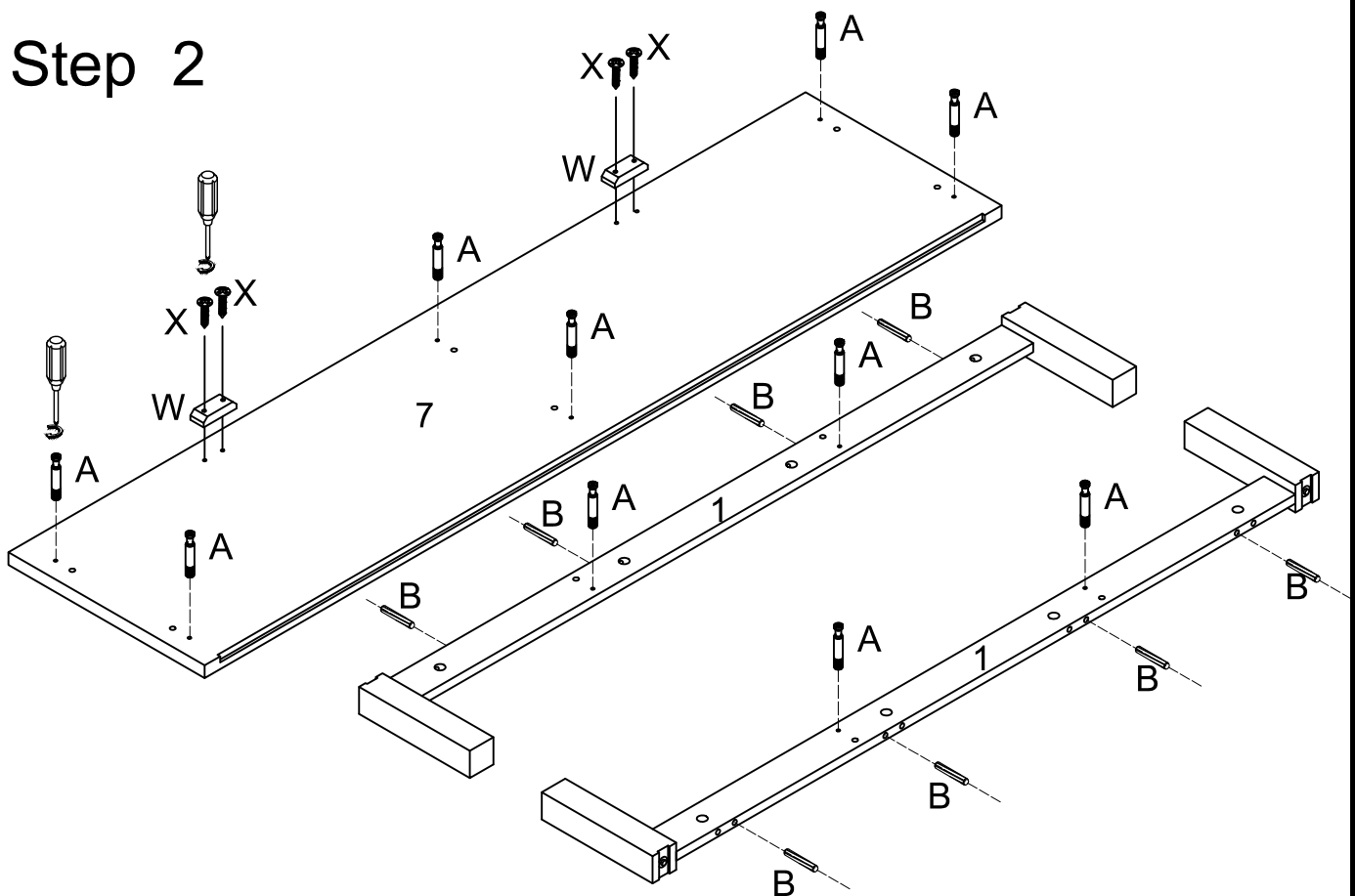
*The hardware quantities listed above are required for proper assembly.
Some extra hardware may also have been included.*

Step 1



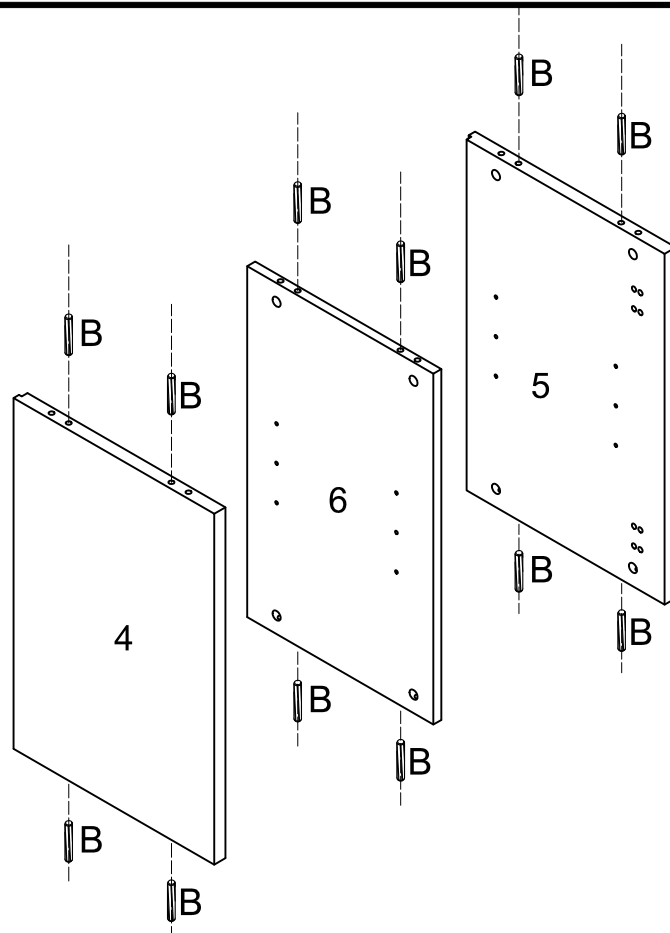
Screw cam bolts (A) into bottom panel (3) with Philips head screwdriver as per diagram.

Step 2



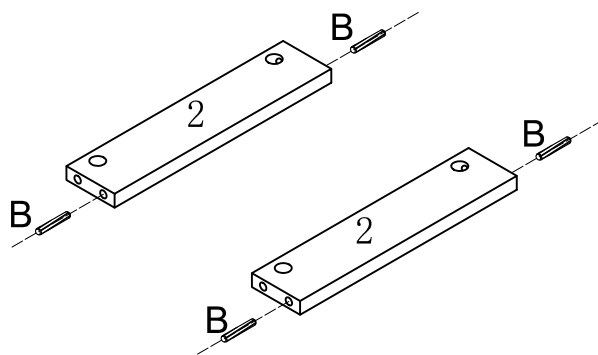
Secure cam bolt (A) into part (1,7), then use screw (X) attach door stopper (W) to part (7) with Philips head screwdriver as per diagram. Insert wooden dowel (B) into part (1).

Step 3



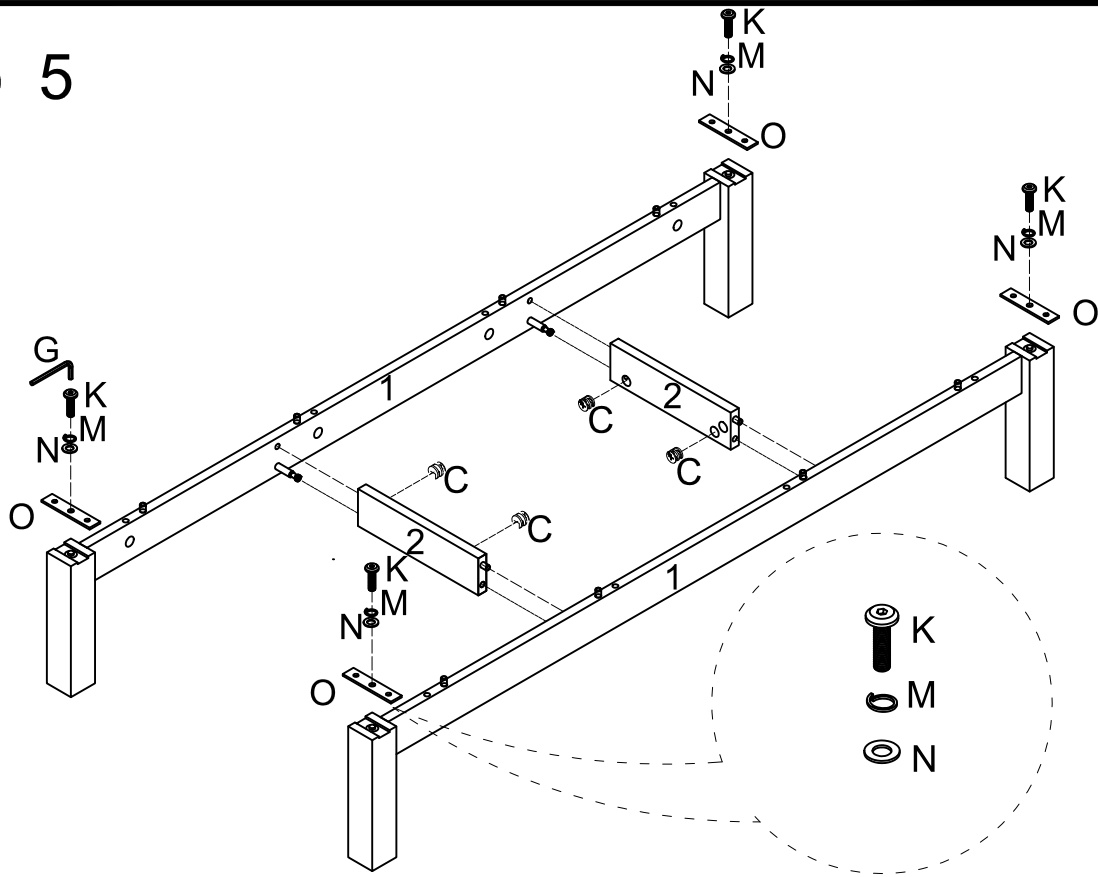
Insert wooden dowel (B) into part (4,5,6).

Step 4



Insert wooden dowel (B) into part (2).

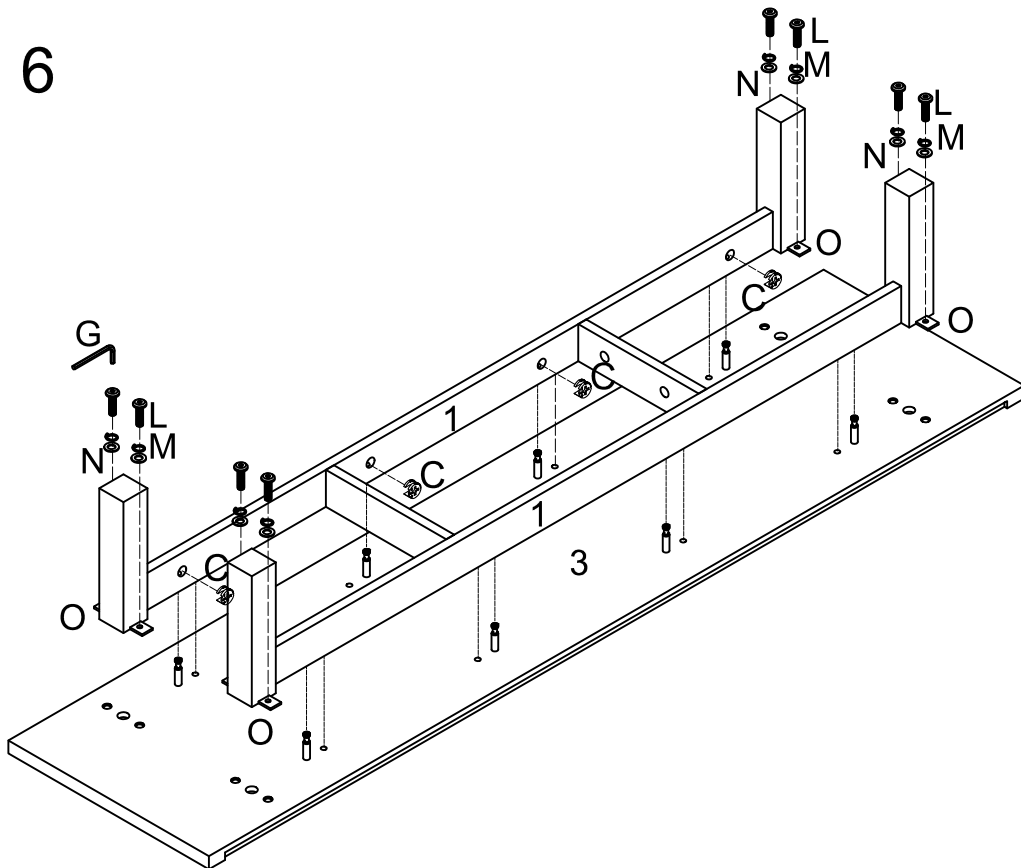
Step 5



1/Attach part (O) to part (1) using bolt (K), spring washer (M) and flat washer (N) with hex key (G) as per diagram.

2/Using cam lock (C) secure parts (1) to parts (2) with Philips head screwdriver as per diagram.

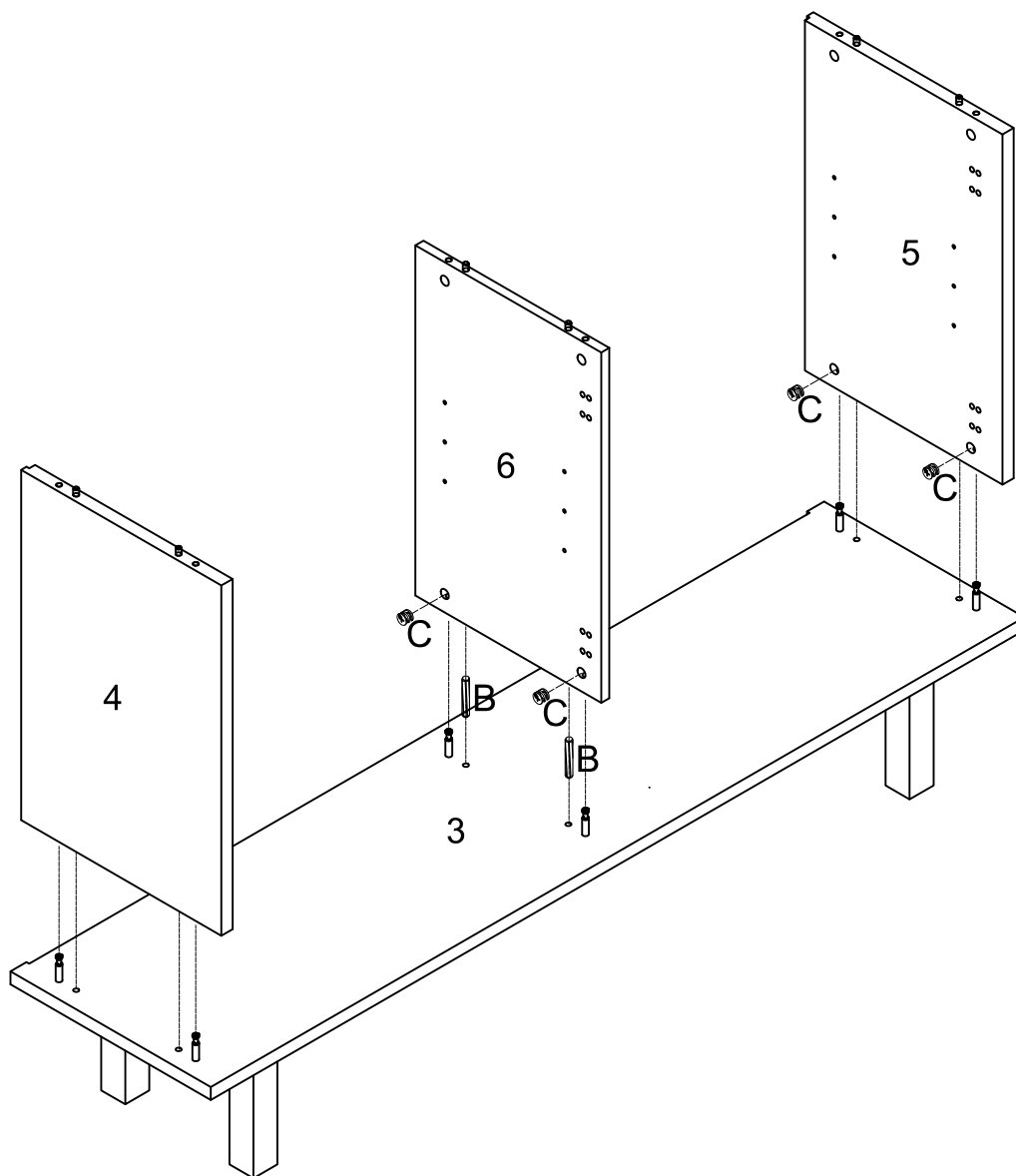
Step 6



1/Attach part (1) to part (3) using bolt (L), spring washer (M) and flat washer (N) with hex key (G) as per diagram.

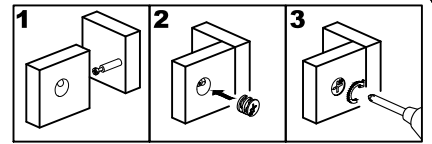
2/Using cam lock (C) secure parts (1) to parts (3) with Philips head screwdriver as per diagram.

Step 7

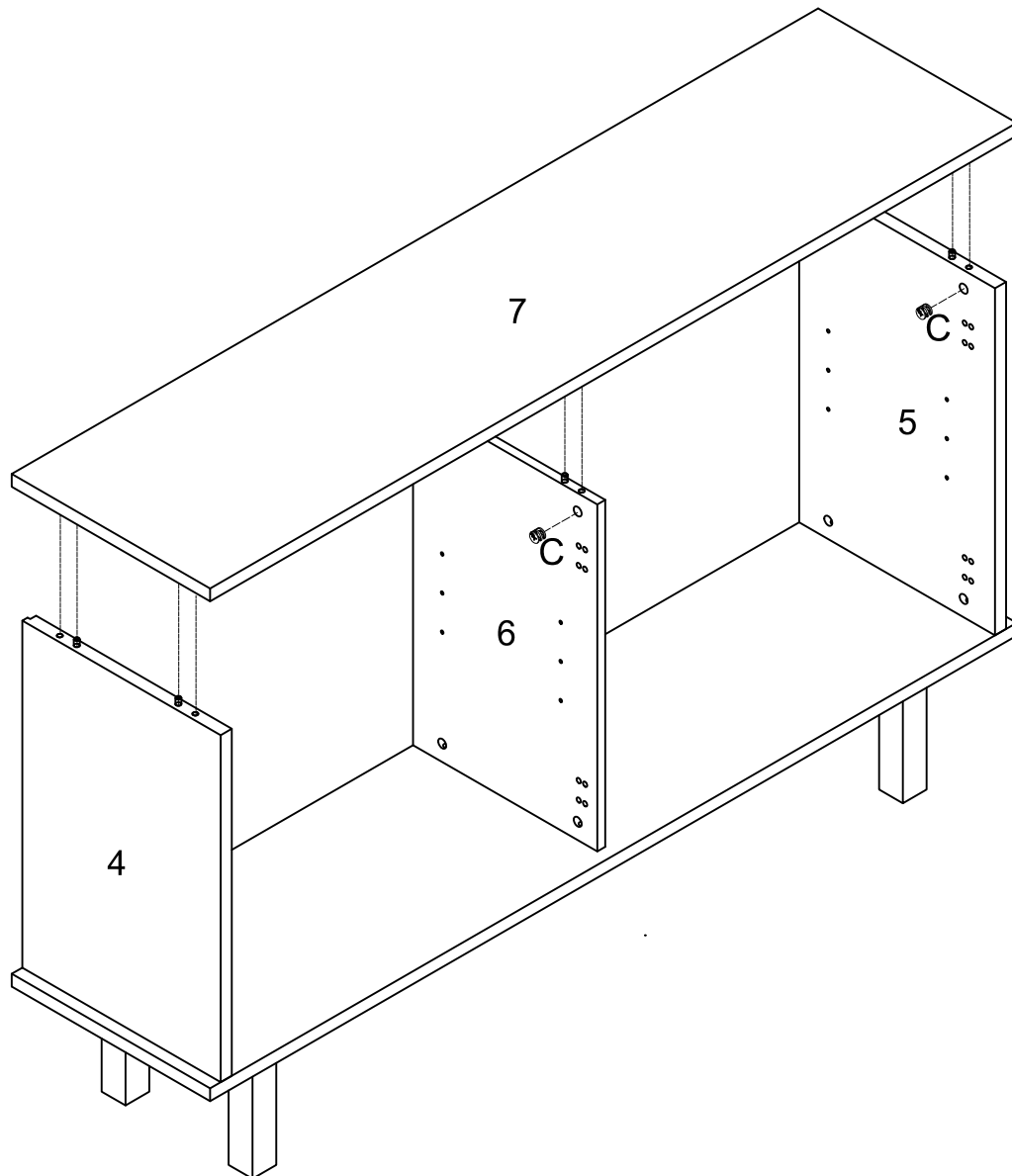


1/Attach panels (4,5,6) to panel (3) using cam bolts (A) and dowels (B) as guided.
2/Insert cam lock (C) into panel (4,5,6) tighten with a screwdriver.

Step 8

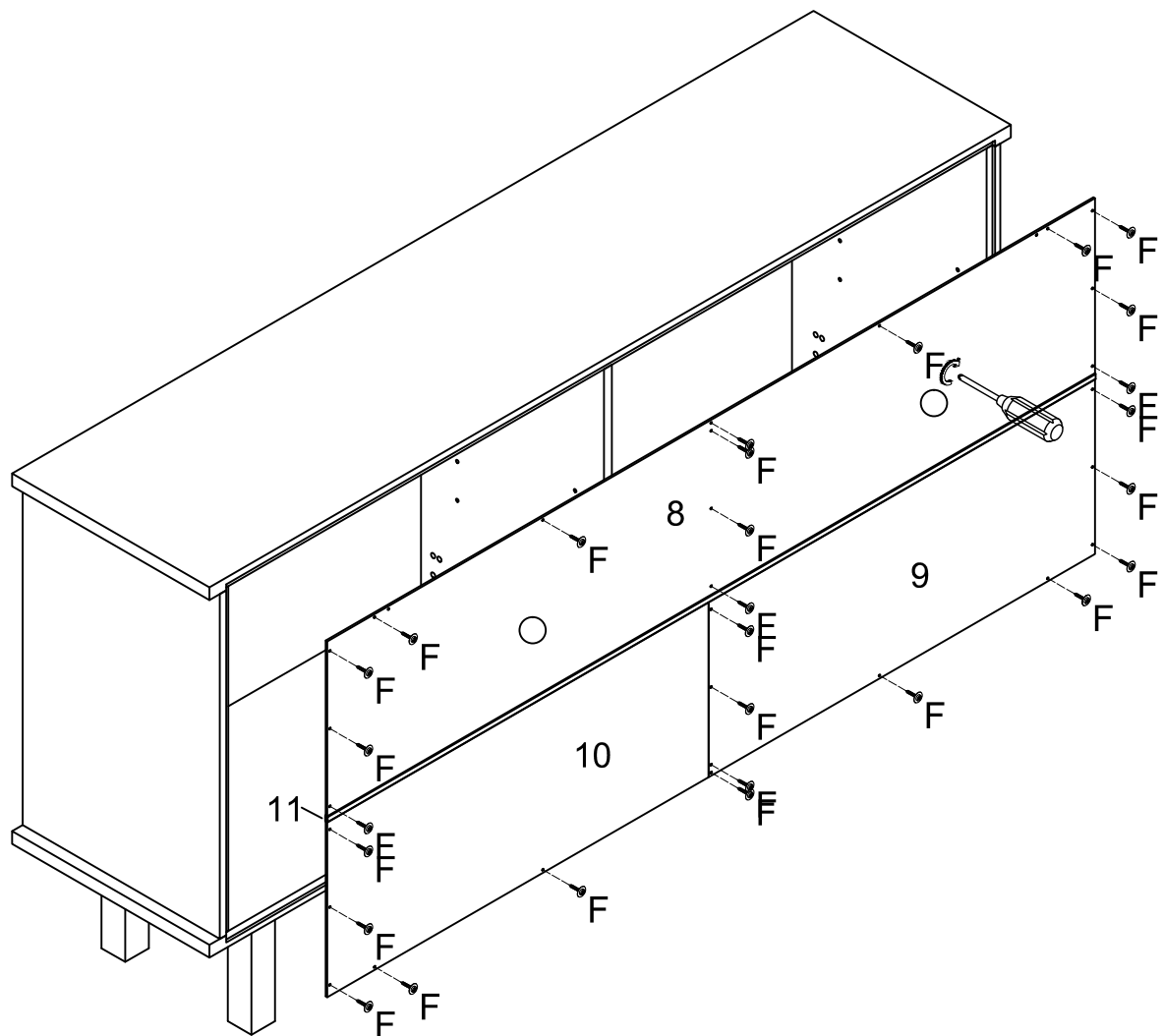


Note: Please don't over-tighten the cam lock, otherwise, it will be broken.



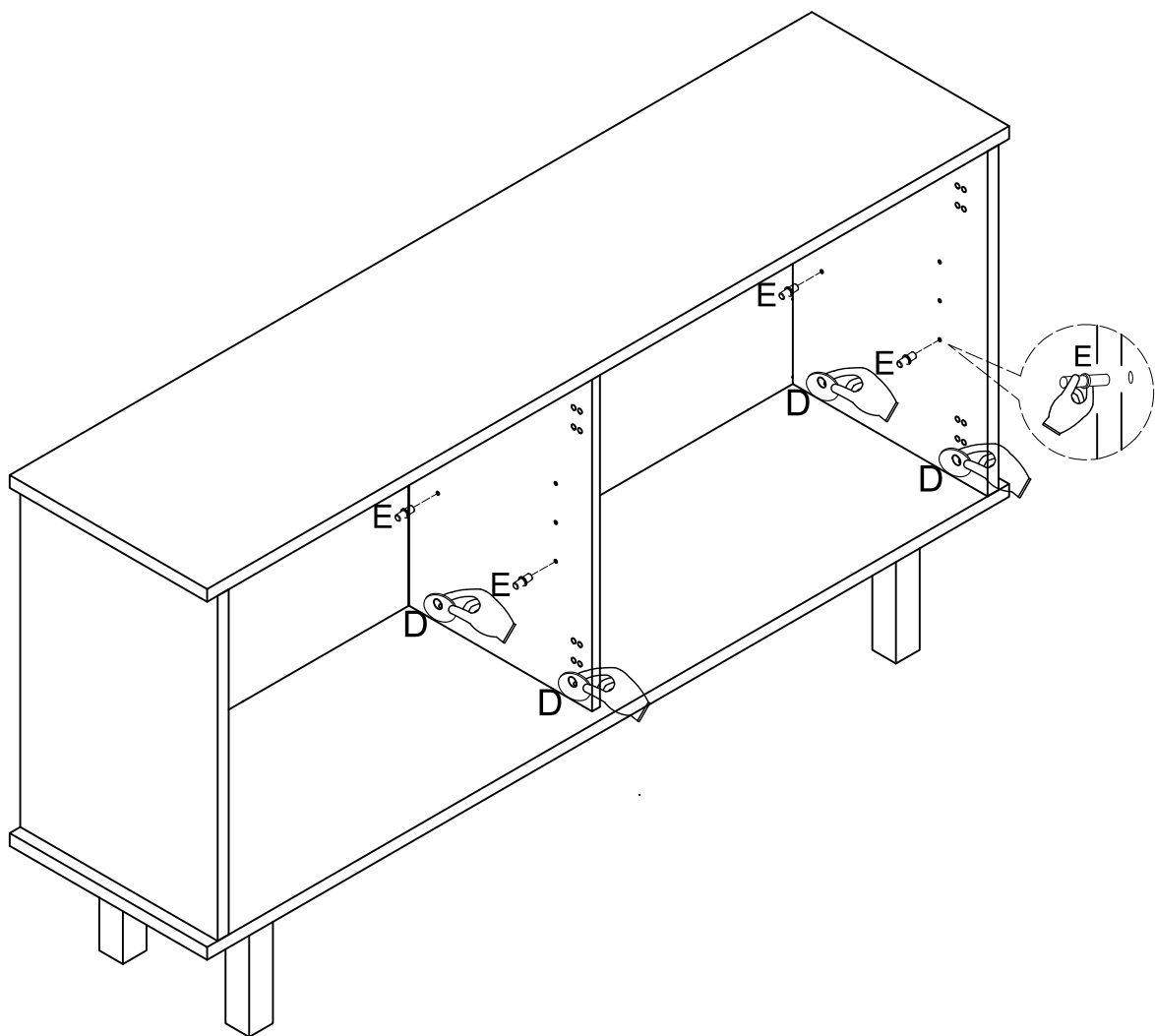
1/Attach panels (7) to panel (4,5,6) using cam bolts (A) and dowels (B) as guided.
2/Insert cam lock (C) into panel (4,5,6) tighten with a screwdriver.

Step 9



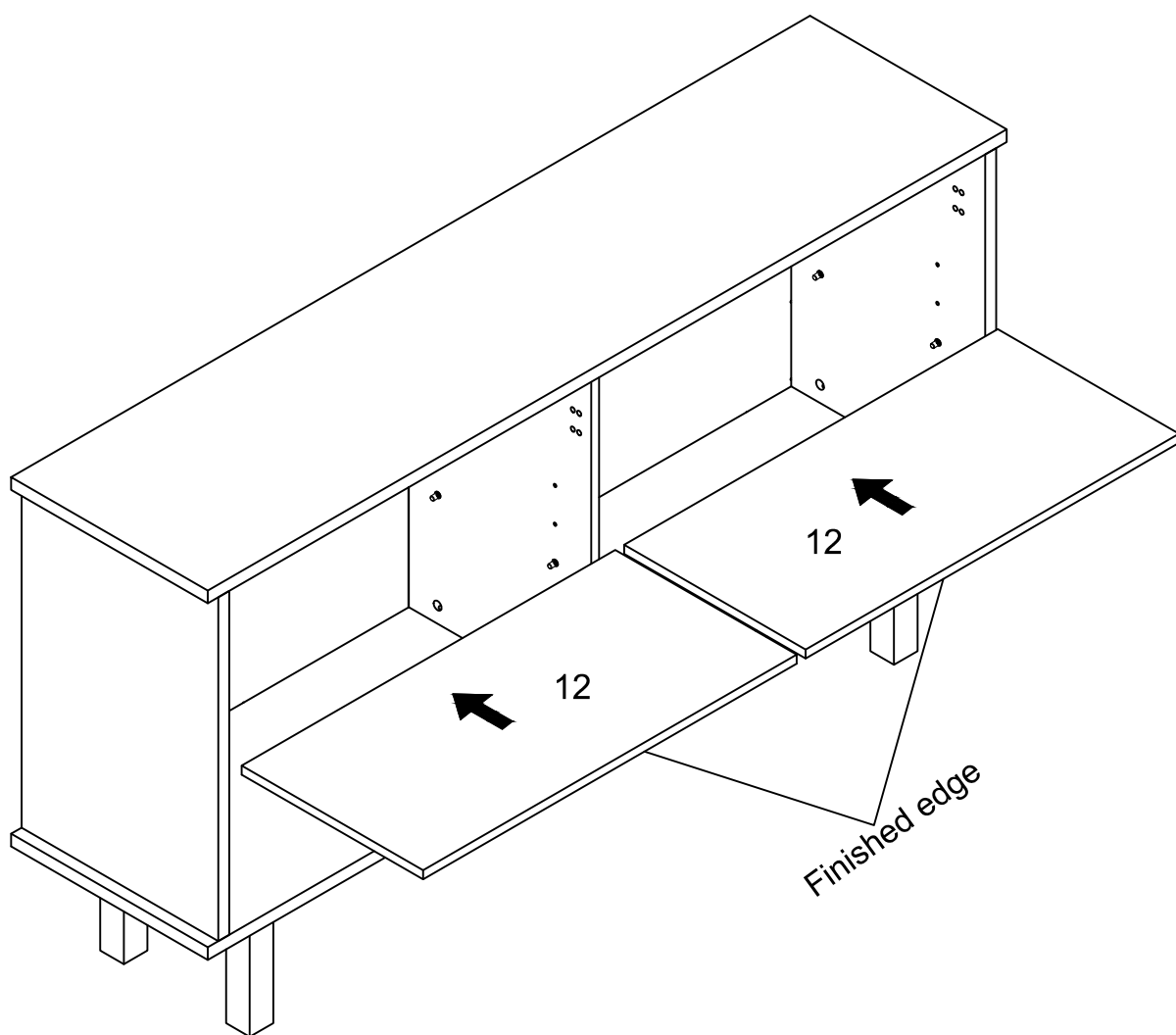
Attach parts (8,9,10) with part (11) as per diagram. Attach back panels (8,9,10,11) to the assembly from the previous step using screws (F). Note that back panel (9) will overlap back panel (10)

Step 10



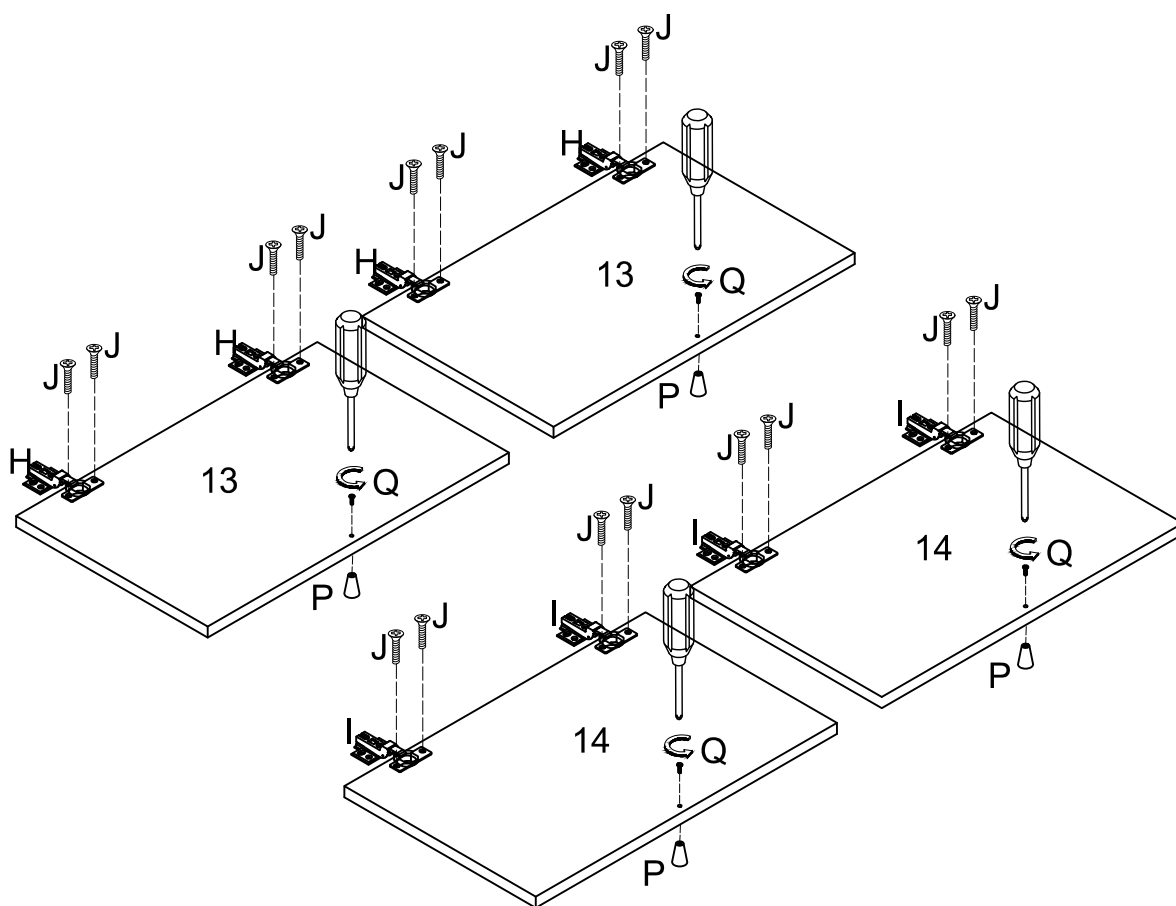
Insert shelf support pins (E) into the interior of the assembly at desired shelf heights. Place sticker (D) cover the holes.

Step 11



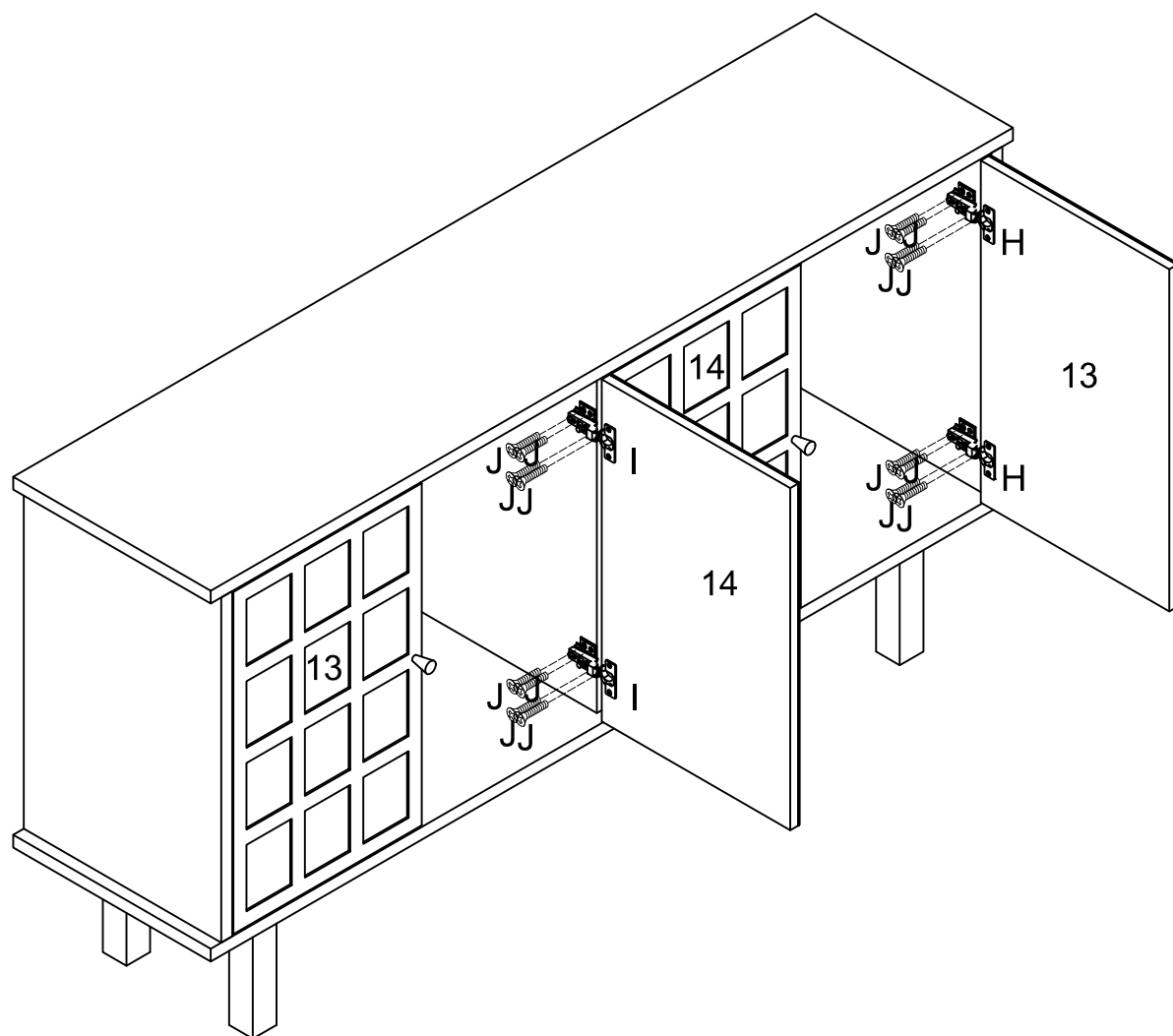
Carefully place shelves (12) on shelf support pins (E).

Step 12



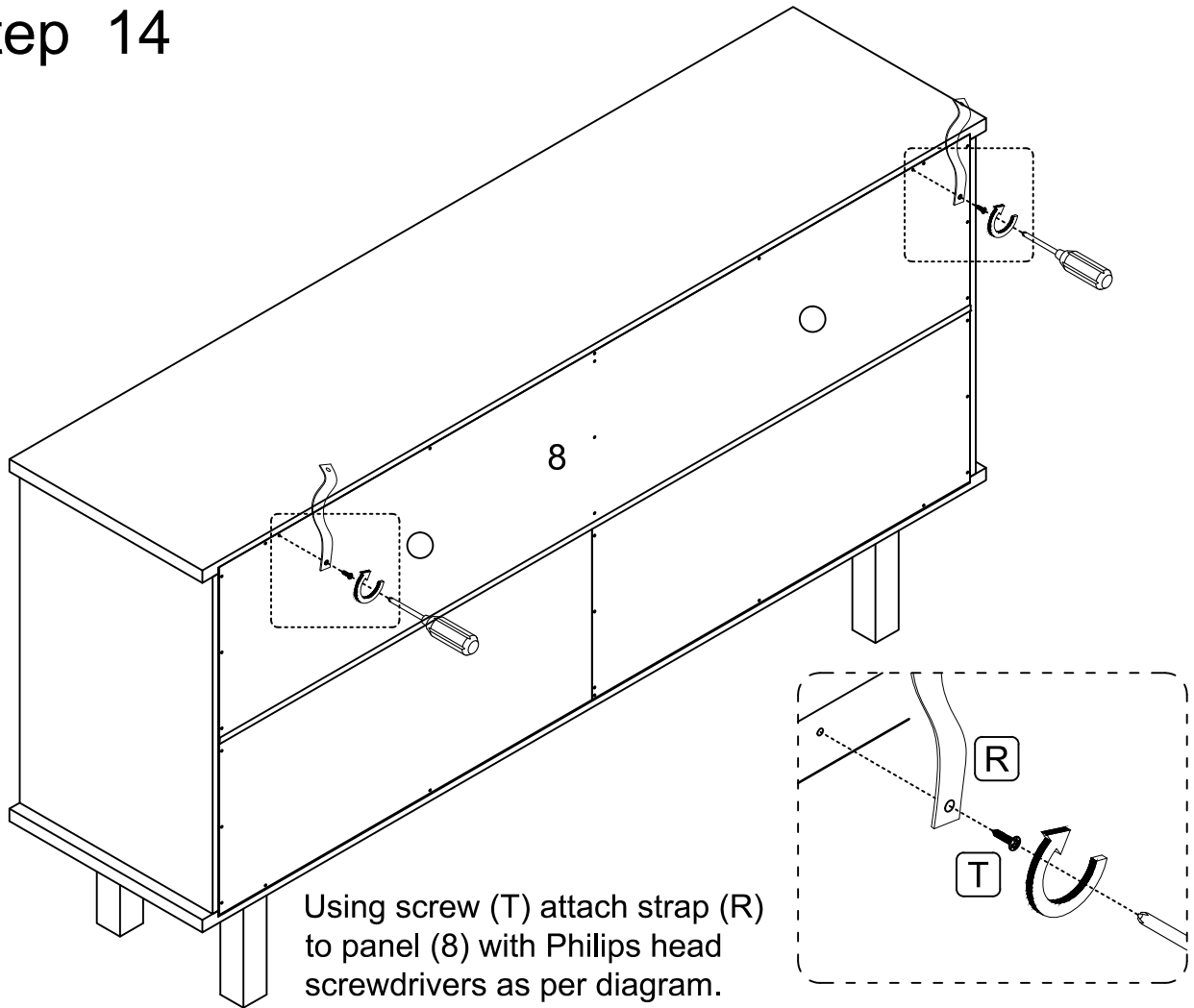
1/Use bolt (J) attach Hinges (H) into doors (13). Use bolt (J) attach Hinges (I) into doors (14).
2/use bolt (Q) attach door knobs (P) into doors (13,14) with Philips head screwdriver as per diagram.

Step 13



Use bolt (J) attach Hinges (H) into doors (13). Use bolt (J) attach Hinges (I) into doors (14).

Step 14



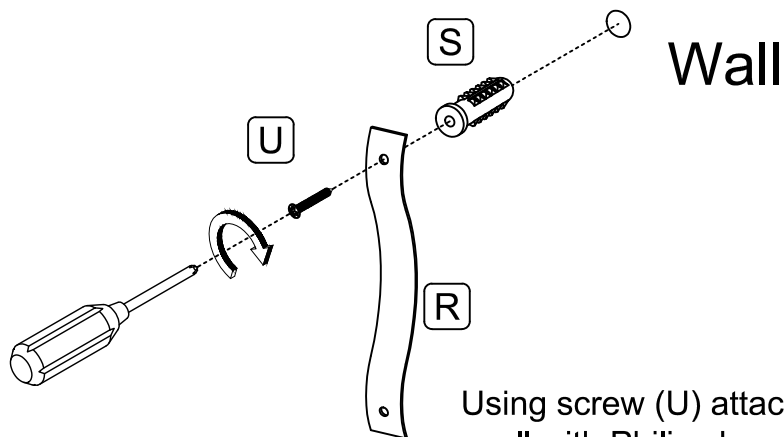
Using screw (T) attach strap (R) to panel (8) with Philips head screwdrivers as per diagram.

Take out the wooden panel of the faux cable holes if necessary .

Step 13

WARNING

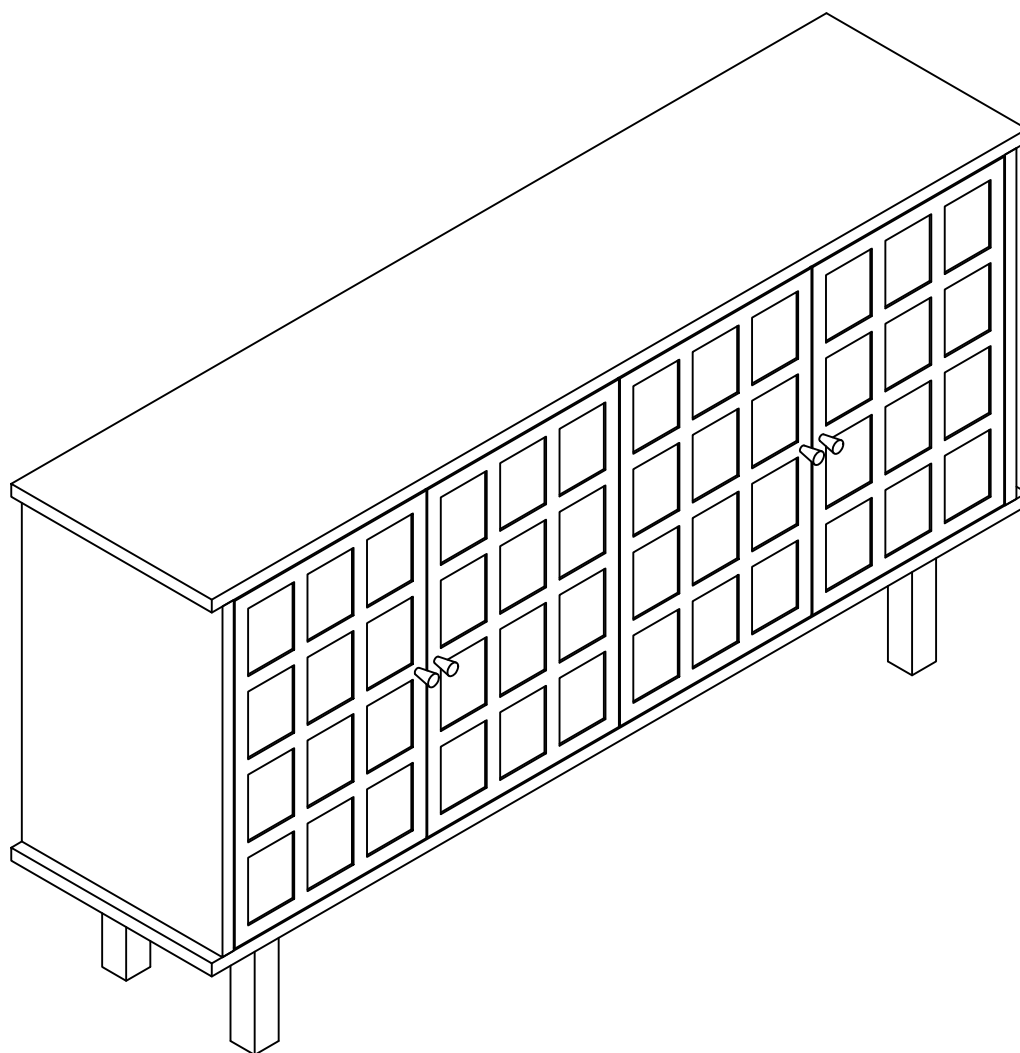
Serious or fatal injuries can occur from furniture tipping over. To prevent the furniture from tipping over we recommend that it is permanently fixed to the wall. Wall anchor and hardware are included with this product. Please make sure hardware is suitable for your walls before installing, as different wall materials may require different types of anchors.



Using screw (U) attach strap (R) into nut (S) to wall with Philips head screwdriver as per diagram.

Step 15

ALL DONE! You did a great job!



WARNING

DO NOT use outdoor

DO NOT exceed weight limit

DO NOT use this item unless all fixings are secured.

DO NOT push the item as this will damage the base.

The unit must be handled by at least 2 persons when moving in the same or adjacent rooms.

Before moving the unit, make sure to remove any object that is heavy or might fall off. Please note that lifting from the tabletop with too much weight on the product might lead to part damage/separation.

When lifting the unit, use both hands and bend your knees, not your backs.

When transporting the unit to places far away, protect and secure the unit to avoid damage in transit.

DO NOT expose the surfaces to direct sunlight or to extreme environmental conditions. Damages caused by this kind of exposure is not covered by the product's warranty.

DO NOT leave spilled liquid in the cabinet

DO NOT place hot or cold items directly onto the surface of the item as marking will occur.

Clean the surfaces preferable with a clean cloth damped in a solution of mild soap and water, then dry with a clean towel.