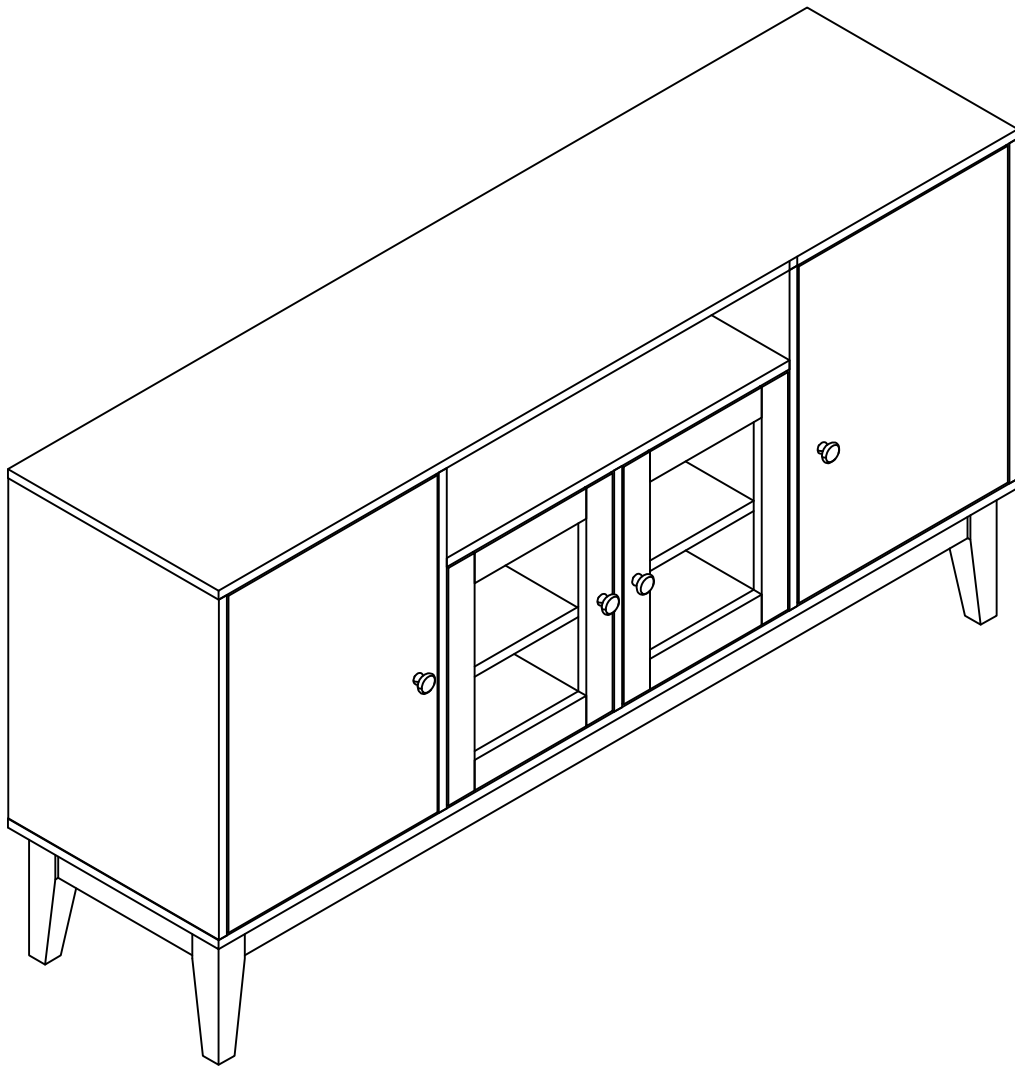


ASSEMBLY INSTRUCTIONS
TV STAND
ITEM# HT-17057

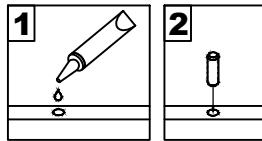


If you find any damage after opening, please be sure to take pictures of the damage and contact us. We will help you solve the problem as soon as possible.

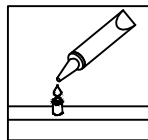
THANK YOU

General Assembly Guidelines

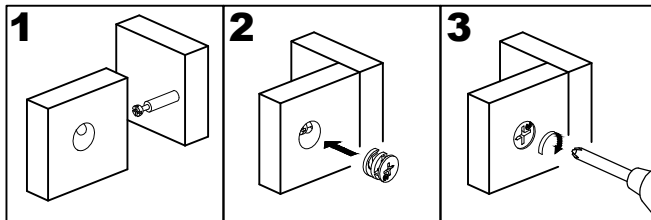
- I. Ensure that all parts and hardware are available before beginning assembly.
- II. Follow each step carefully to ensure the proper assembly of this product.
- III. Two people are recommended for ease in the assembly of this product.
- IV. The three main types of hardware used to assemble this product are : wood dowels , screws and bolts.
- V. The provided glue is to secure wood dowels in place. When first inserting dowels, locate the appropriate hole for the dowel, place a small amount of glue in the hole and insert the dowel. Wipe away excess glue immediately.



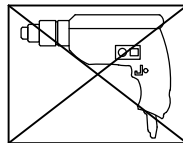
In future assembly steps when dowels are necessary to attach assembly parts together, place a small amount of glue on the end of the dowel before attaching parts together. Wipe away excess glue immediately.



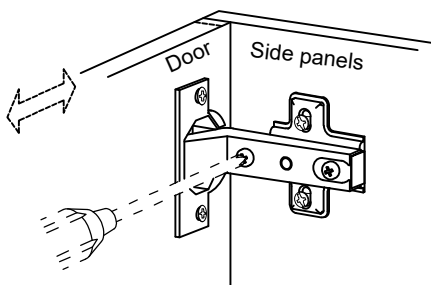
- VI. Insert cam lock into panel tighter with a screwdriver;
Note: Please don't over-tighten the cam lock, otherwise, it will be broken.



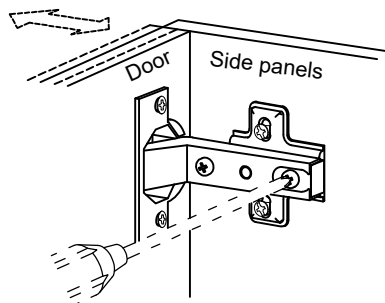
- VII. Power tools should not be used to assemble this product .



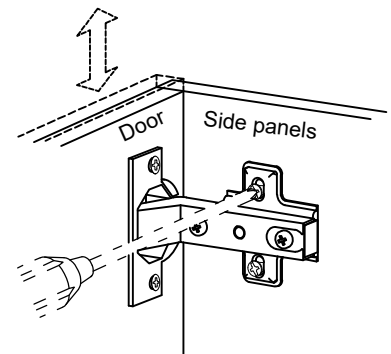
- VIII. Concealed hinges are three-way adjustable.



Horizontal
by screw adjustment

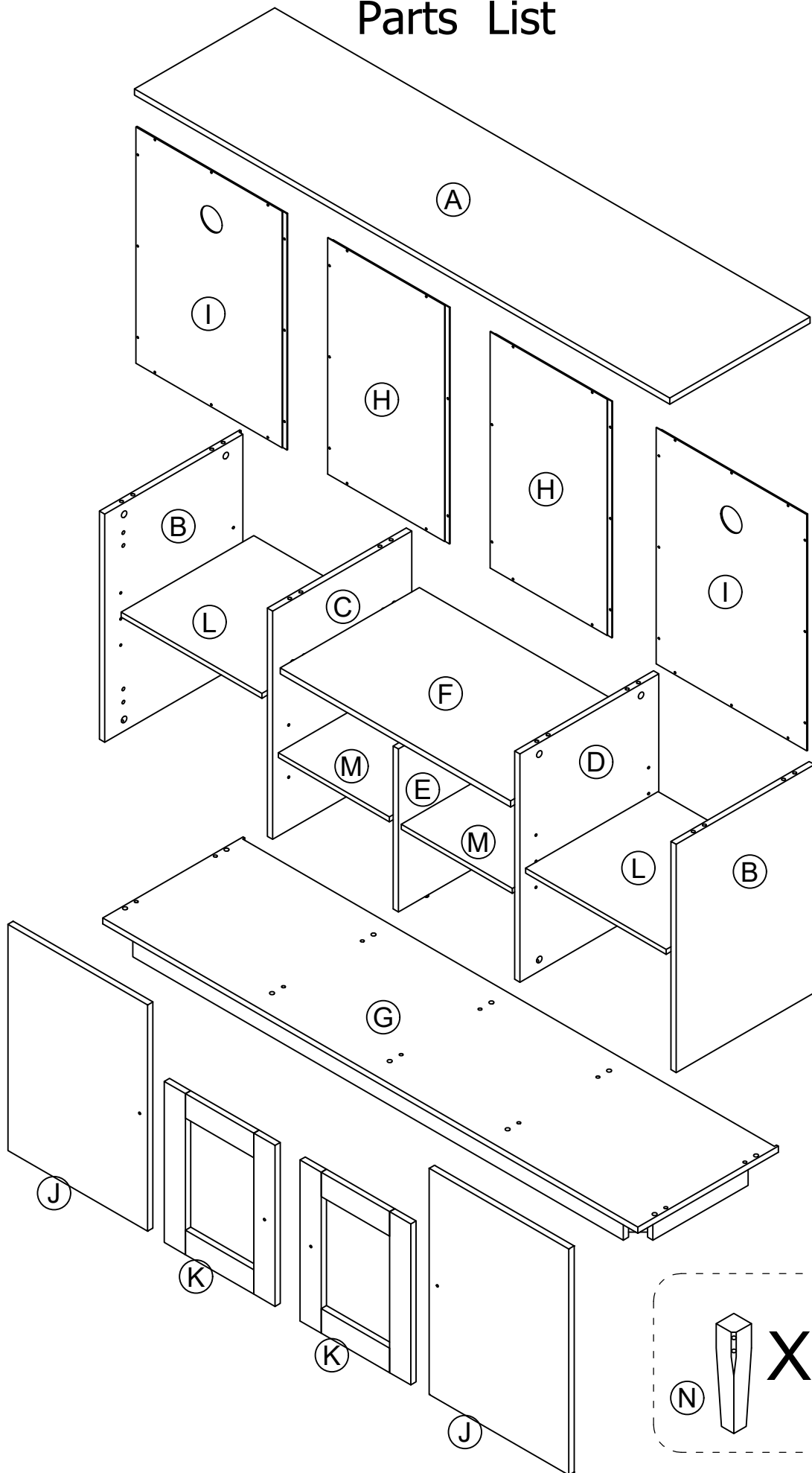


In-and-Out
by loosening the hinge-arm
mounting screw or via cam
adjustment


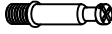





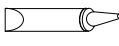
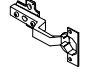


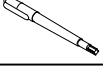

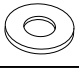



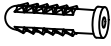




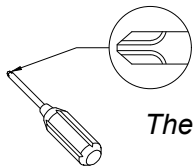
Vertical
Via slots in the mounting
plate or via cam adjustment

Parts List



Hardware List





1		Ø15x9.5	Cam lock	24 pcs
2		Ø6x32	Cam bolt	24 pcs
3		Ø8x30	Wooden dowel	24 pcs
4			Shelf support pin	16 pcs
5			Handle	2 pcs
6		Ø4x18	Screw	2 pcs
7		Ø3x12	Screw	34 pcs
8			Glue tube	3 pcs
9			Hinge	4 pcs
10		Ø4x12	Screw	16 pcs
11			Sticker	20 pcs
12			Touch-up marker	1 pc
13			Spring washer	8 pcs
14			Washer	8 pcs
15		M6x40	Bolt	8 pcs
16			Hexagon socket key	1 pc
17			Plastic strap	2 pcs
			Nut	2 pcs
		Ø3x16	Screw	2 pcs
		Ø4x25	Screw	2 pcs

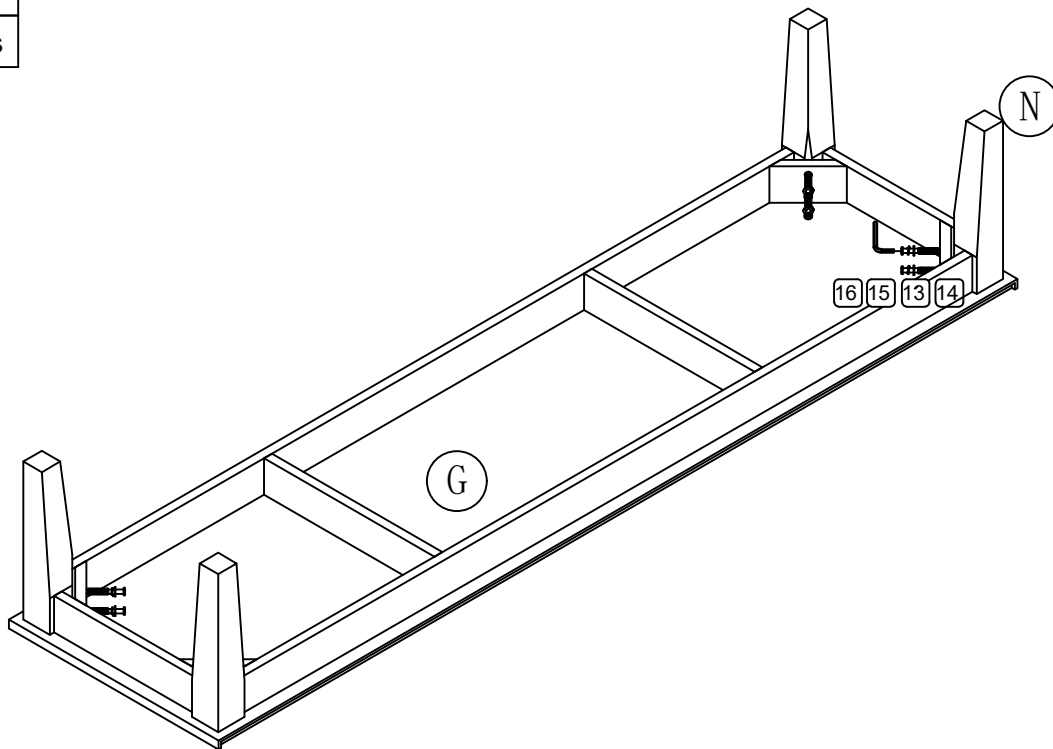


Philips head screwdriver required for assembly
(not included)


*The hardware quantities listed above are required for proper assembly.
Some extra hardware may also have been included.*

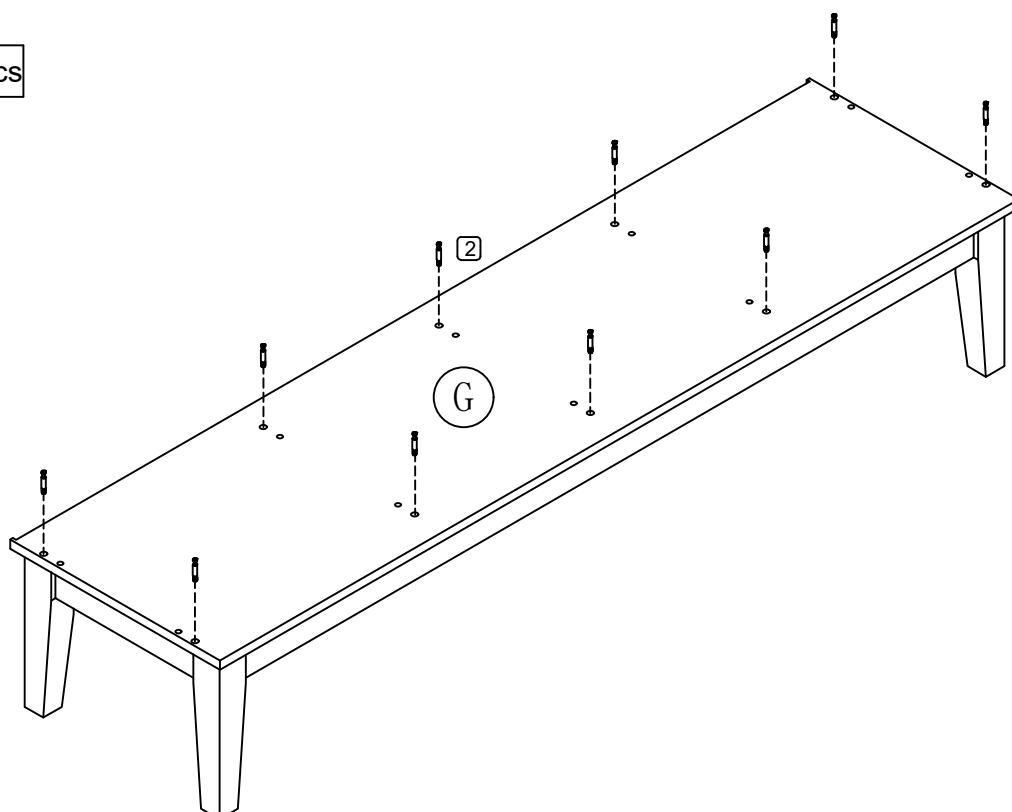
Step 1

- 13:  8 pcs
- 14:  8 pcs
- 15:  8 pcs
- 16:  1 pcs



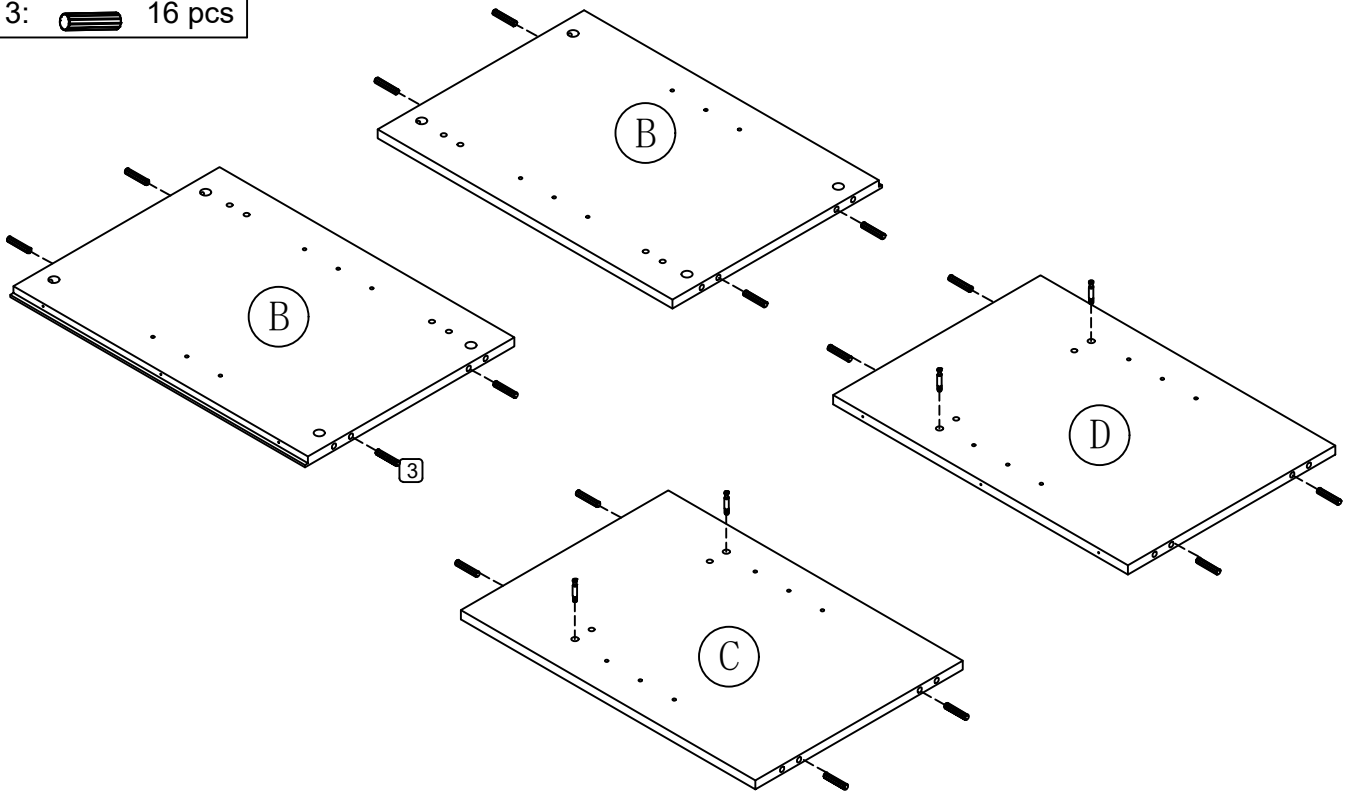
Step 2

- 2:  10 pcs



Step 3

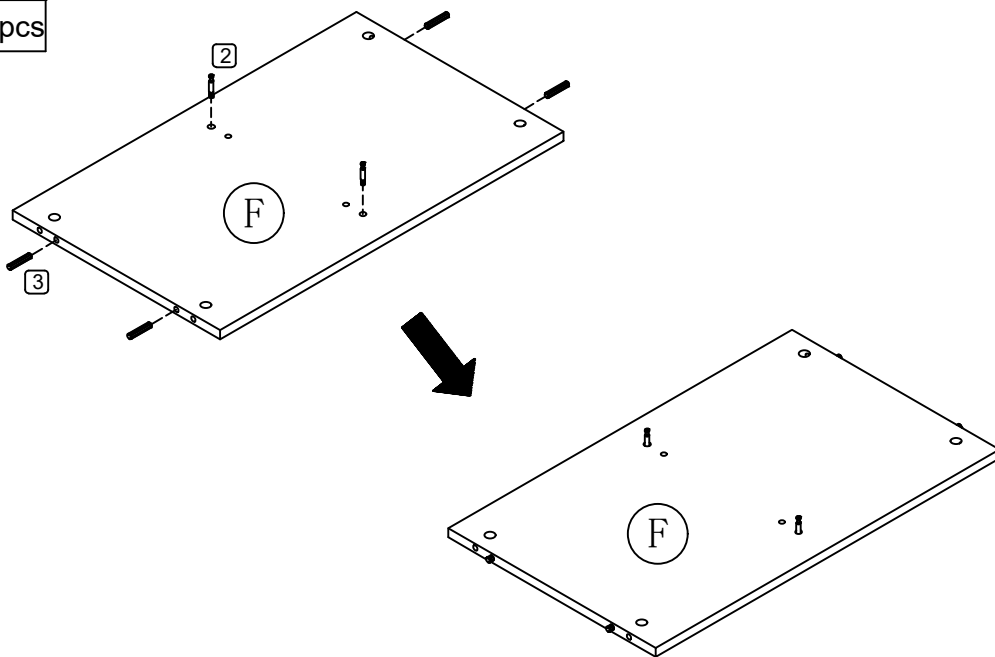
3:  16 pcs



Step 4

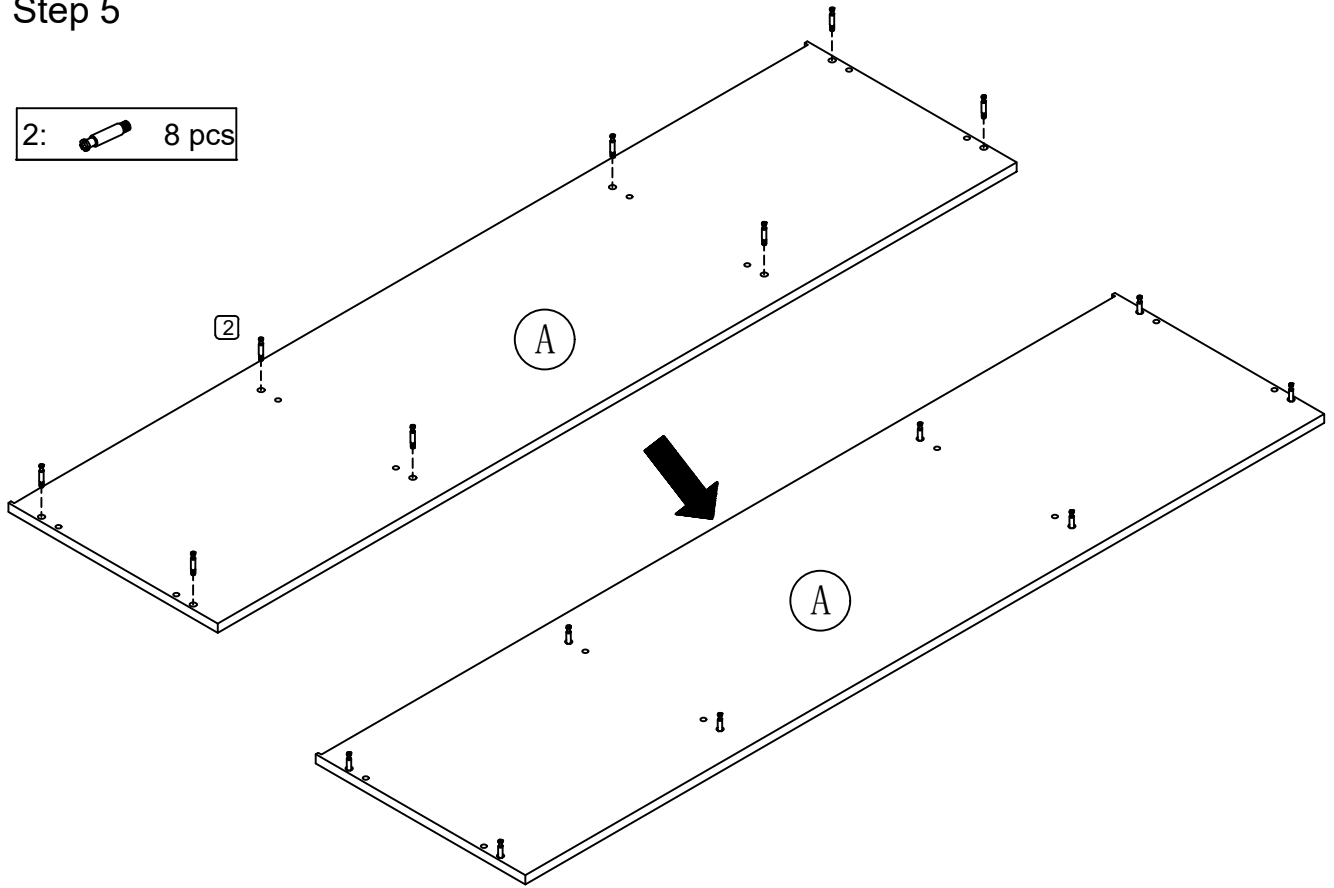
2:  2 pcs

3:  4 pcs



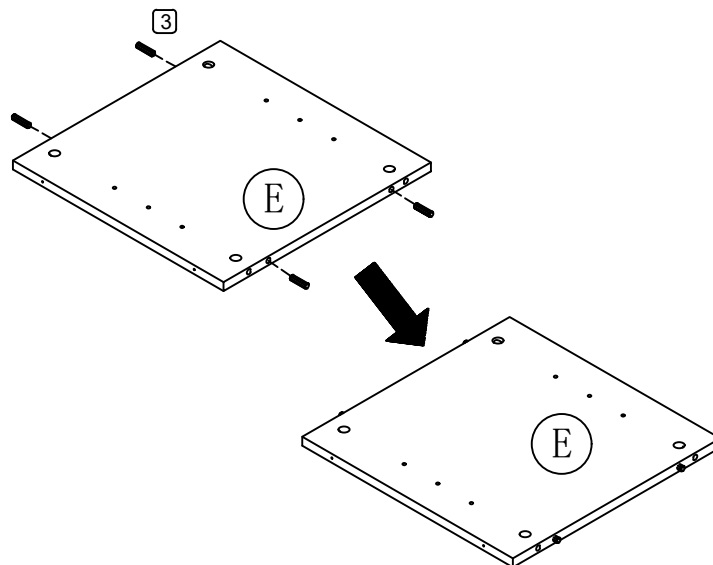
Step 5

2:  8 pcs




Step 6


3:  4 pcs




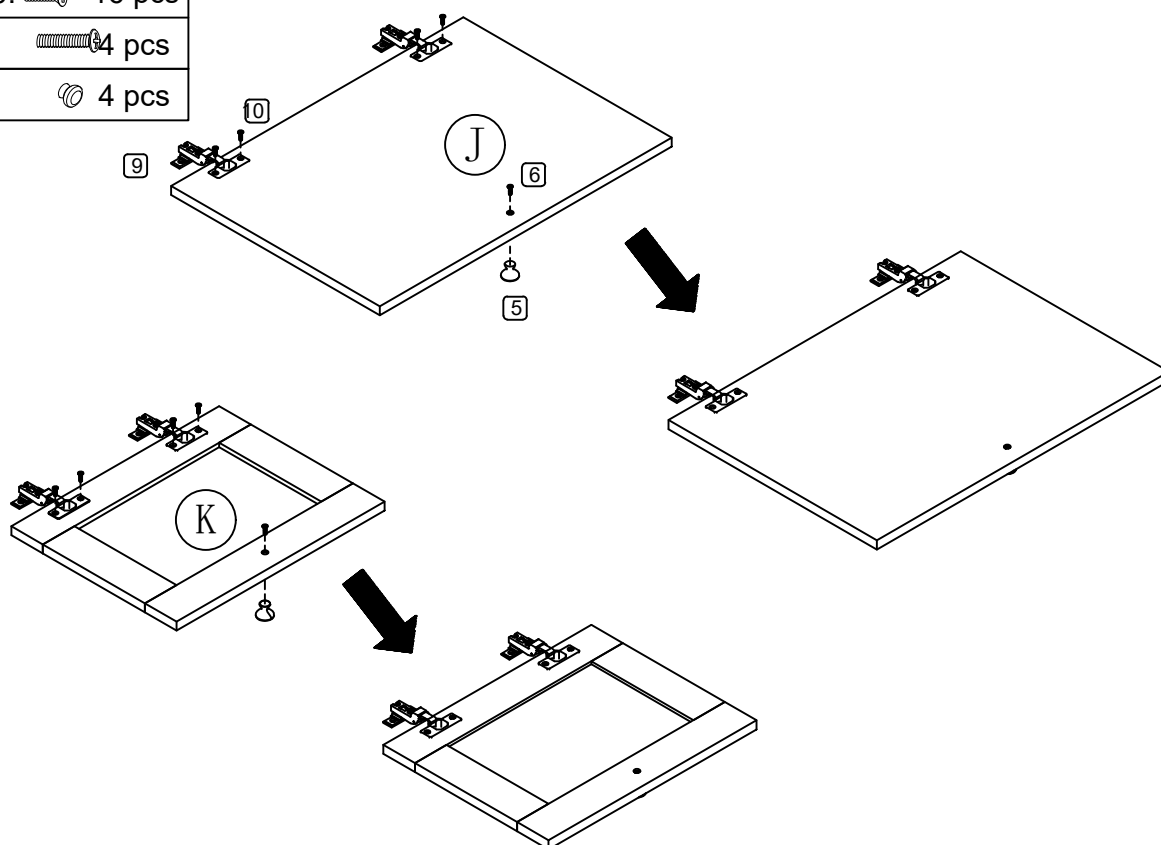
Step 7

9:  8 pcs

10:  16 pcs

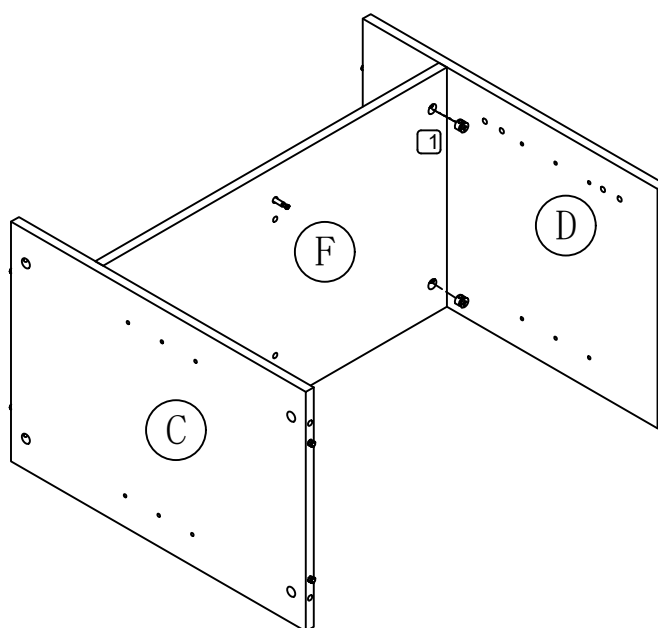
6:  4 pcs

5:  4 pcs



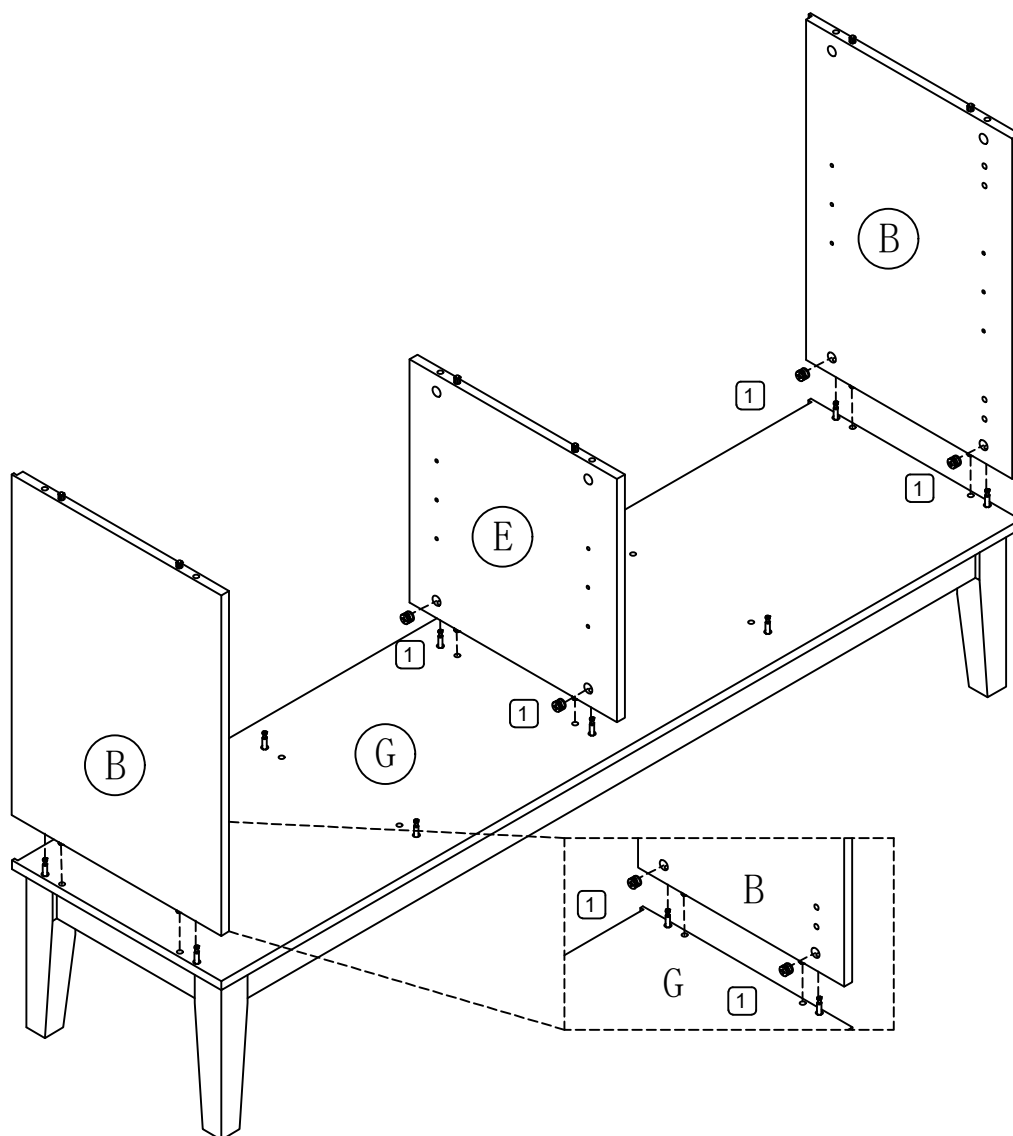
Step 8

1:  4 pcs




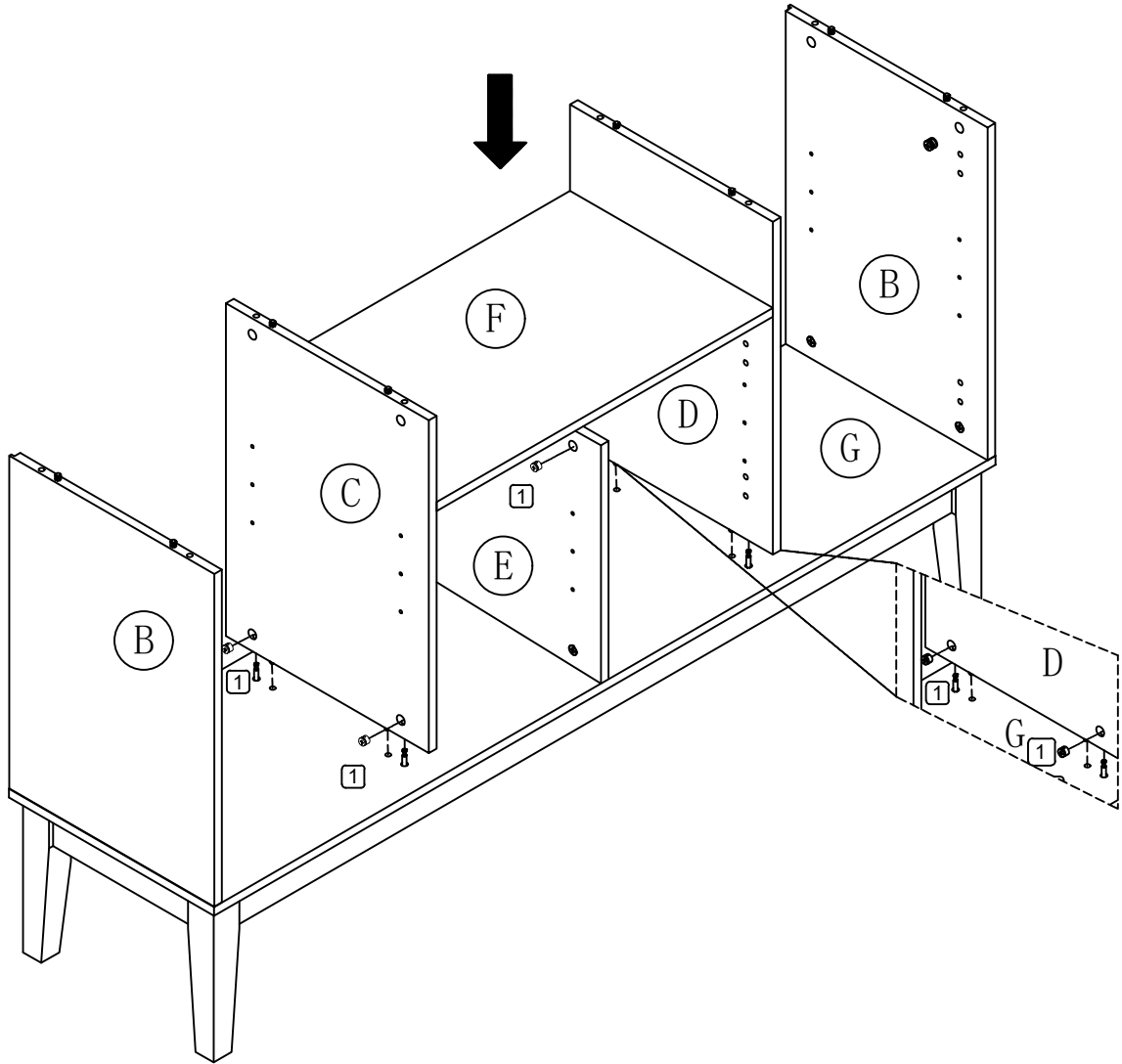
Step 9

1:  6 pcs



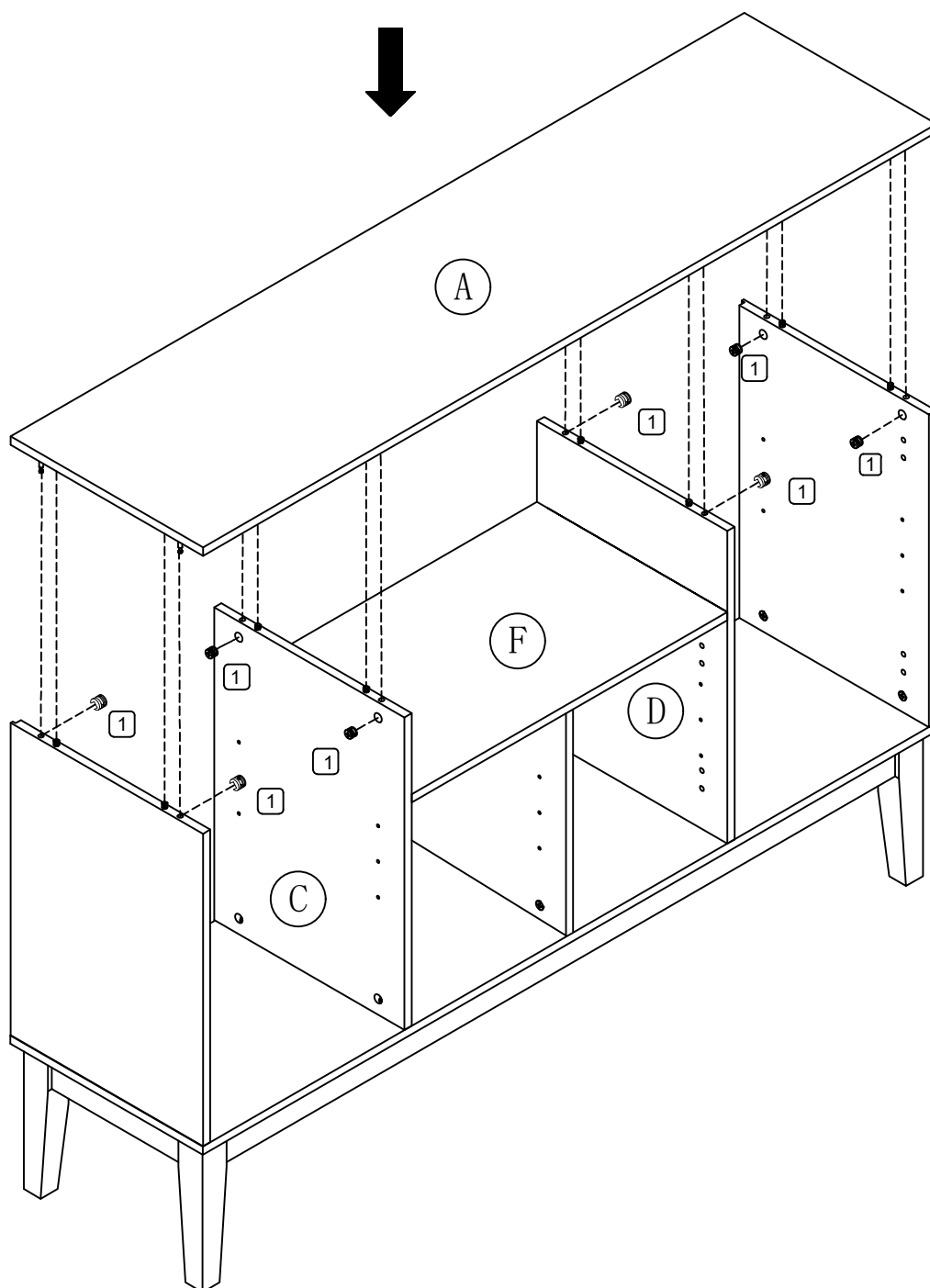
Step 10

1:  6 pcs




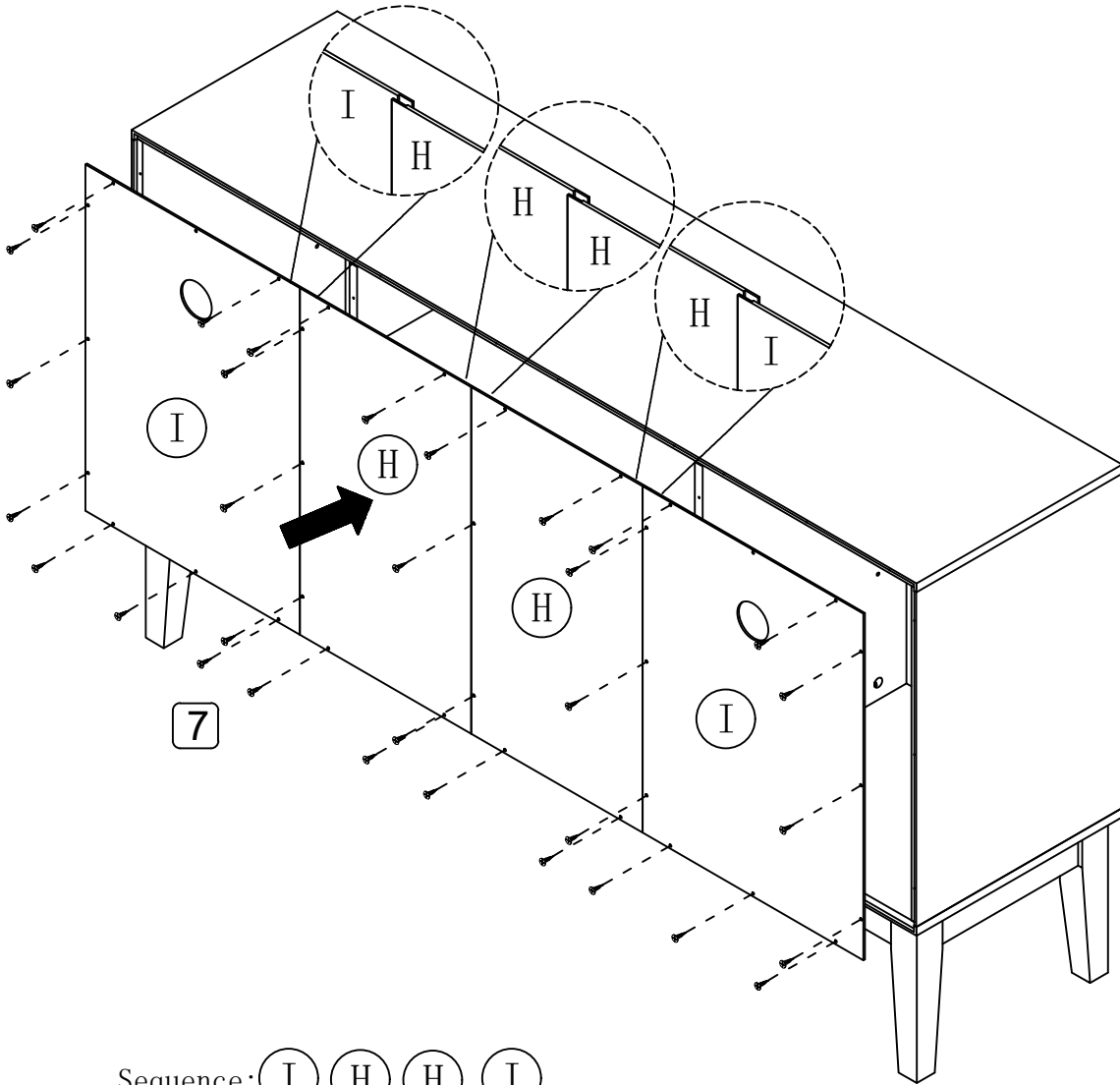
Step 11

1:  8 pcs




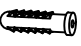


Step 12

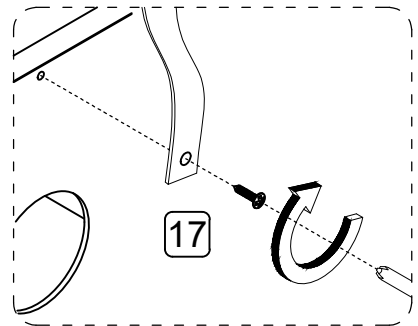
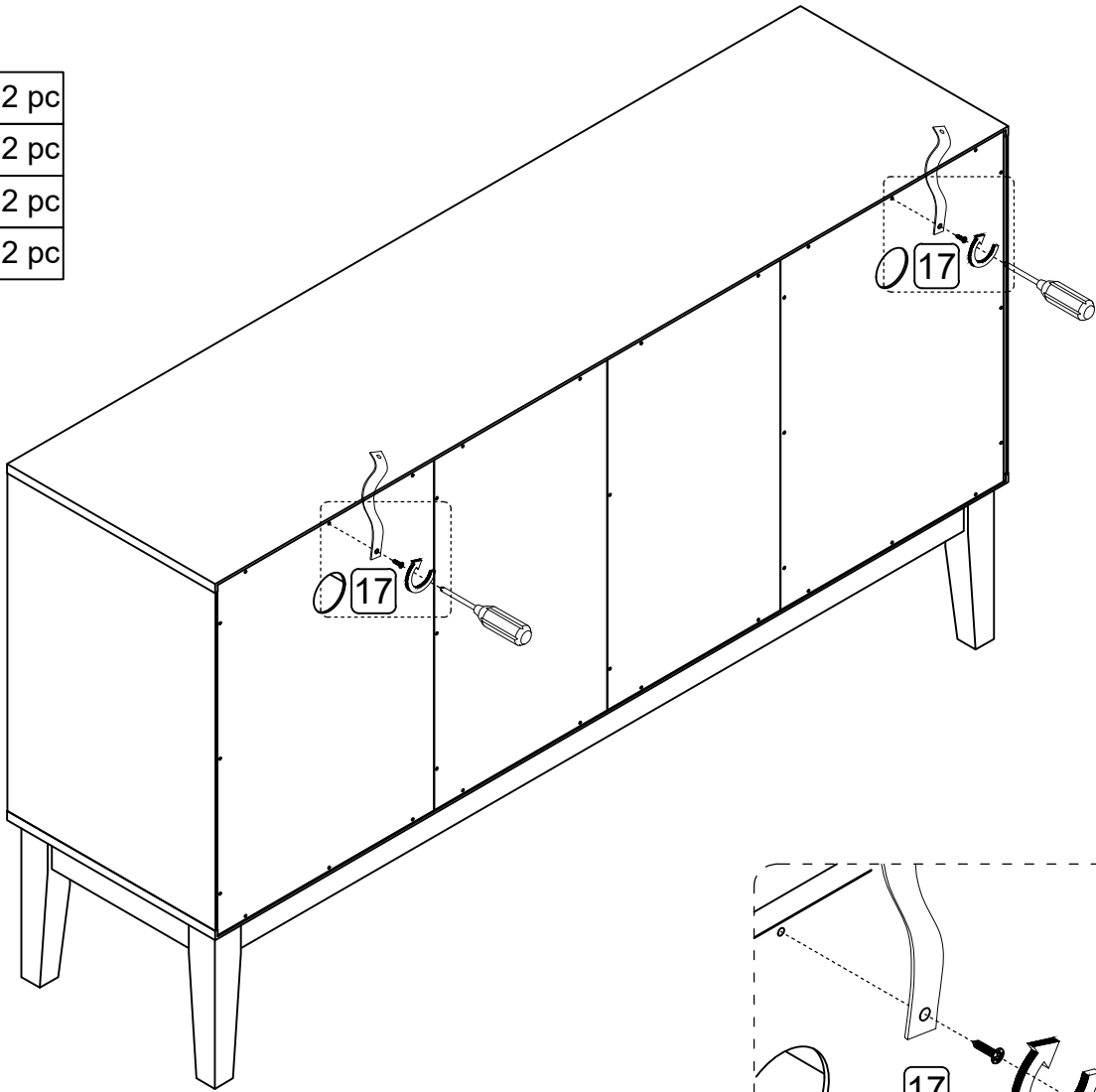
7:  32 pcs



Sequence: (I) (H) (H) (I)

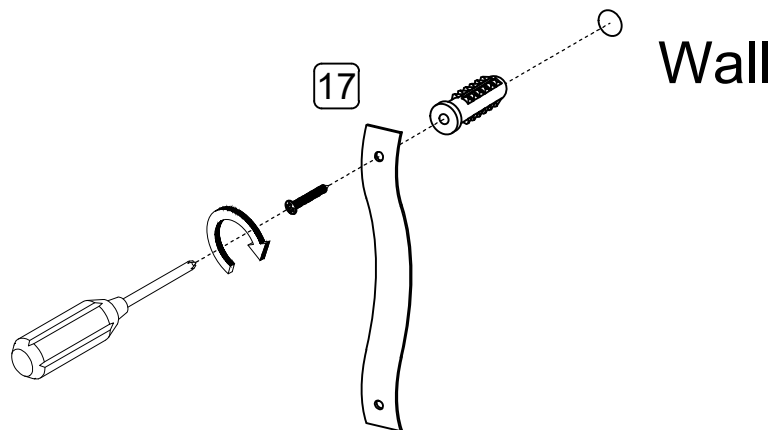
Step 13

15:		2 pc
		2 pc
		2 pc
		2 pc

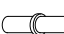



WARNING

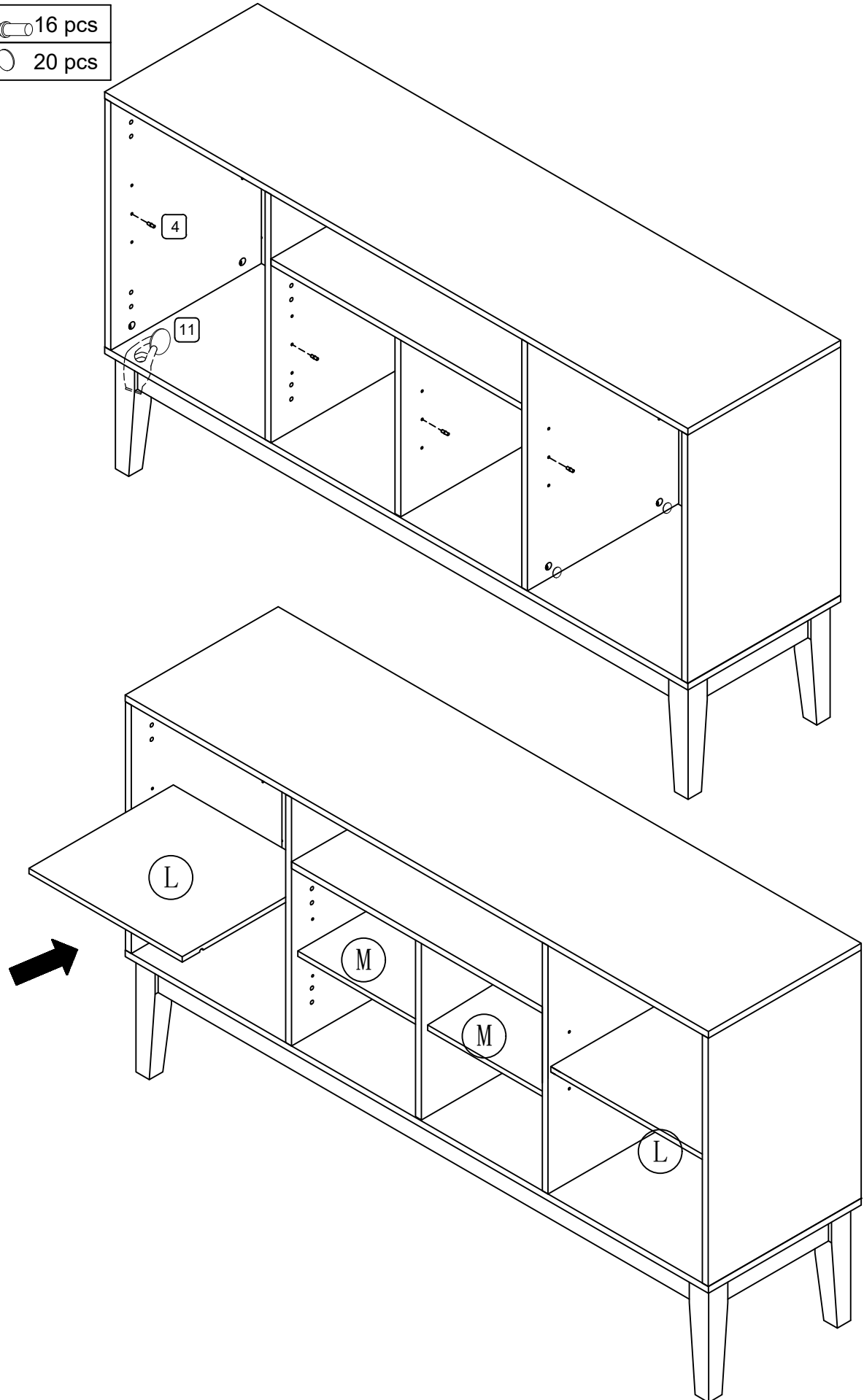
Serious or fatal injuries can occur from furniture tipping over. To prevent the furniture from tipping over we recommend that it is permanently fixed to the wall. Wall anchor and hardware are included with this product. Please make sure hardware is suitable for your walls before installing, as different wall materials may require different types of anchors.



Step 14

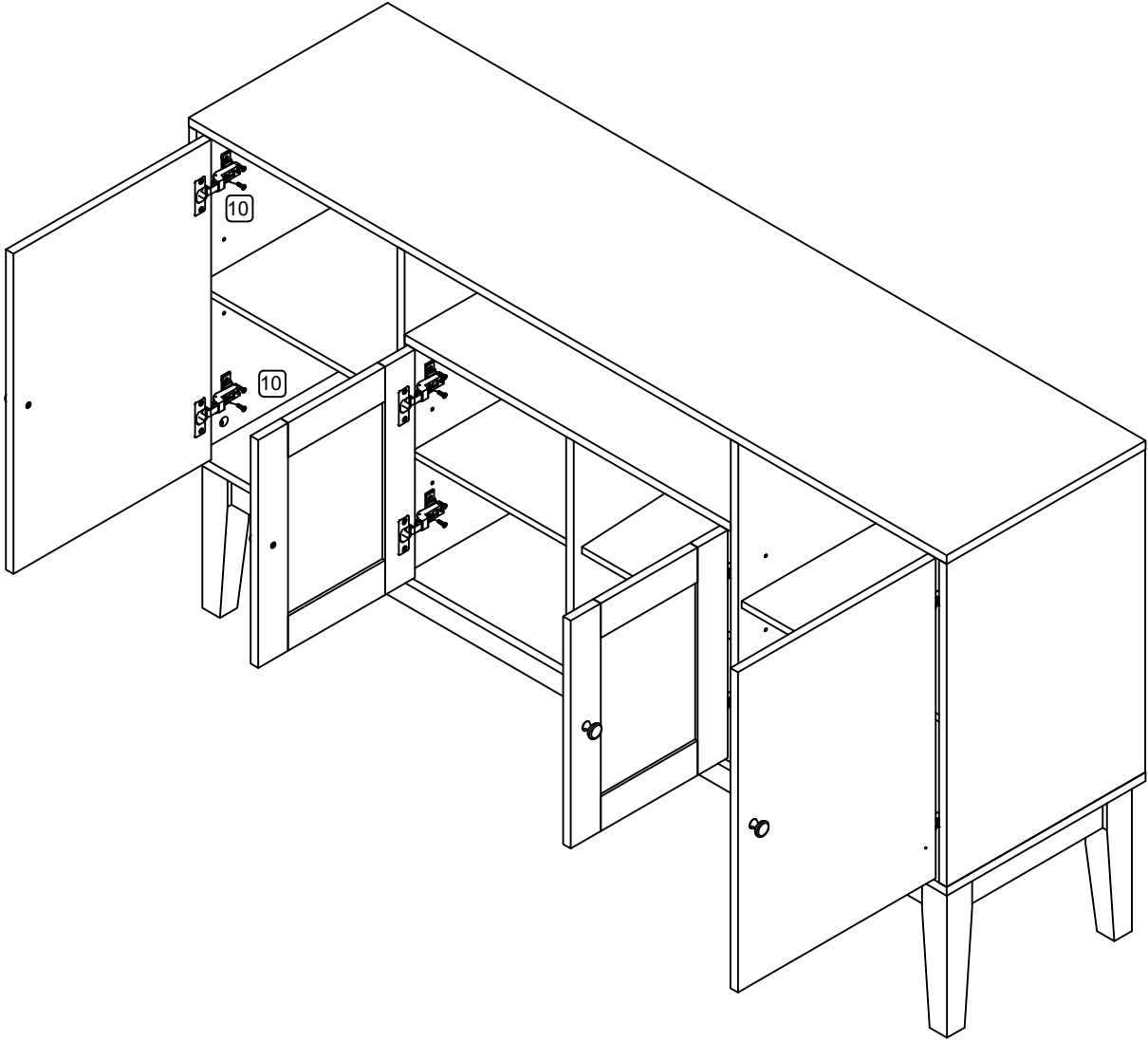
4:  16 pcs

11:  20 pcs

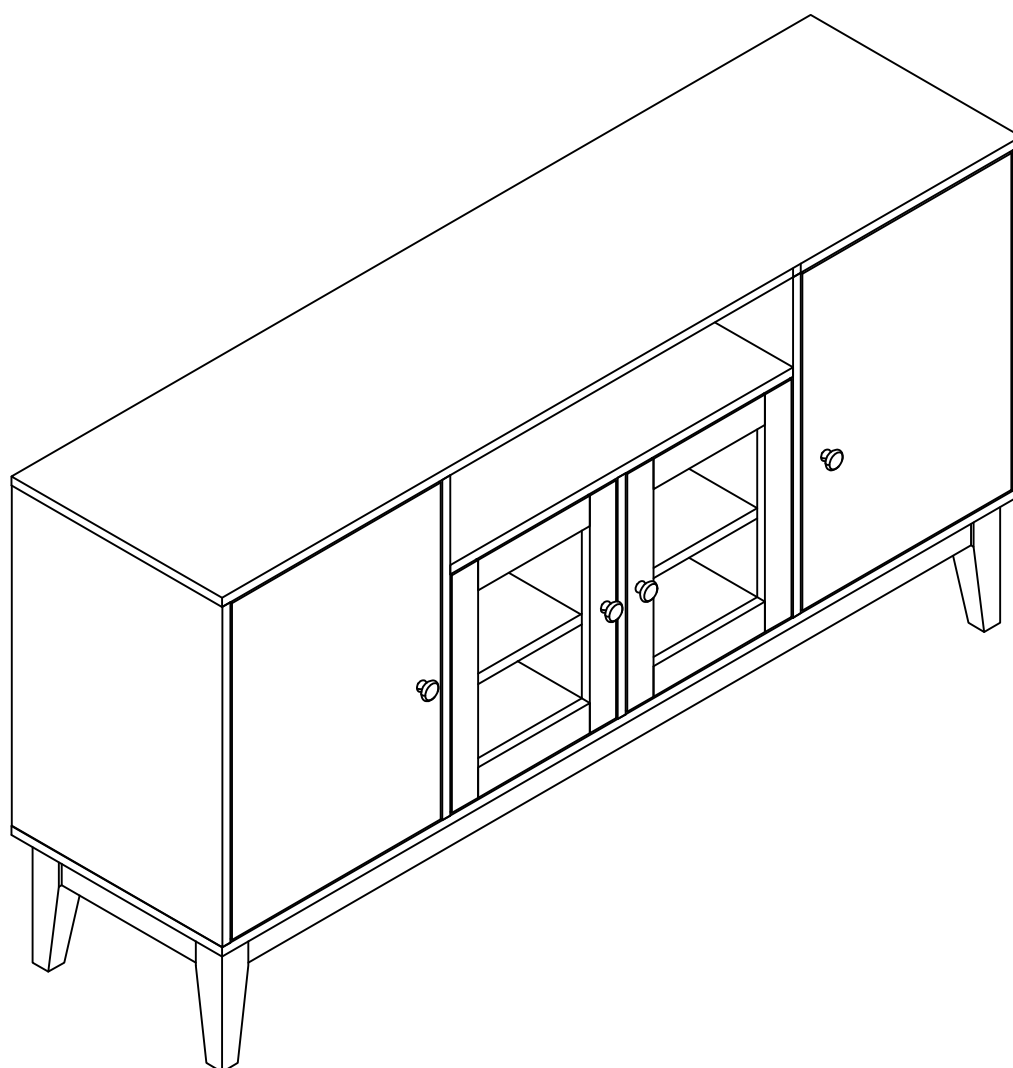


Step 15

10:  16 pcs



Step 16



Final Assembly