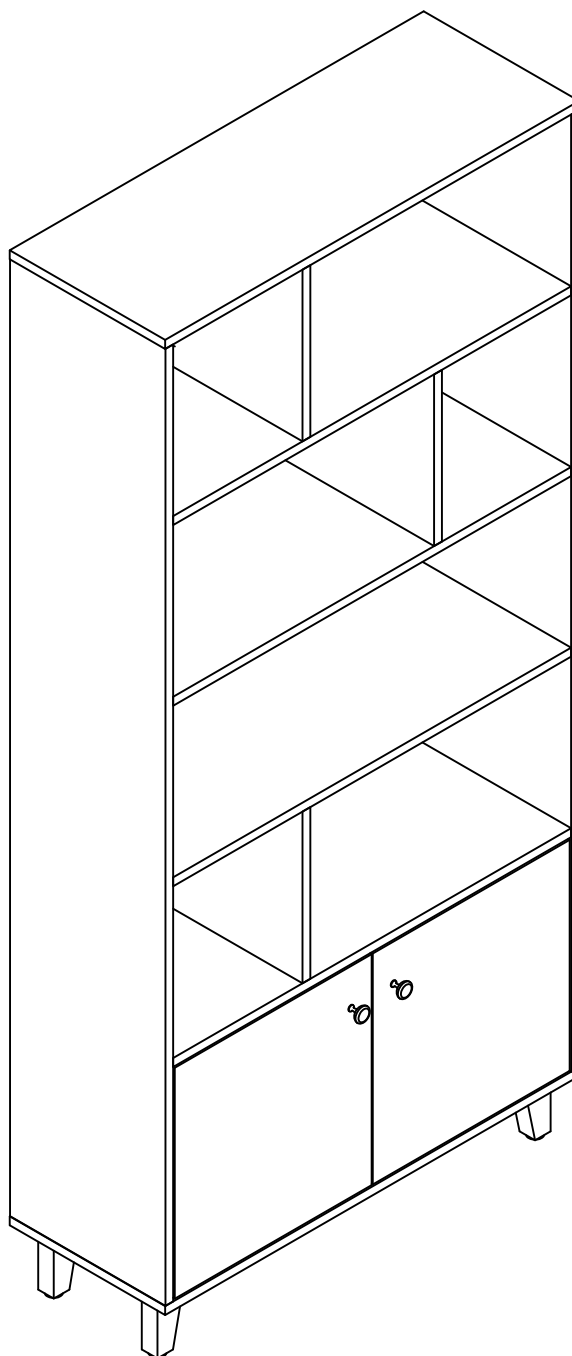
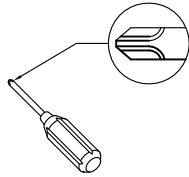


ASSEMBLY INSTRUCTIONS  
BOOKCASE  
ITEM# AM180710

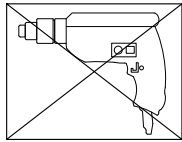


# General Assembly Guidelines

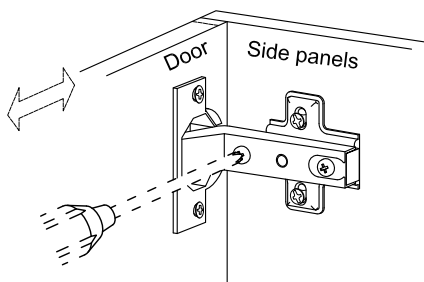
- I. Ensure that all parts and hardware are available before beginning assembly.
- II. Follow each step carefully to ensure the proper assembly of this product.
- III. Two people are recommended for ease in the assembly of this product.
- IV. The three main types of hardware used to assemble this product are : wood dowels , screws and bolts.
- V. A Phillips head screwdriver is required for the assembly of this product .



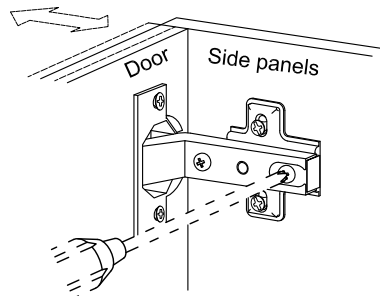
- VI. Power tools should not be used to assemble this product .



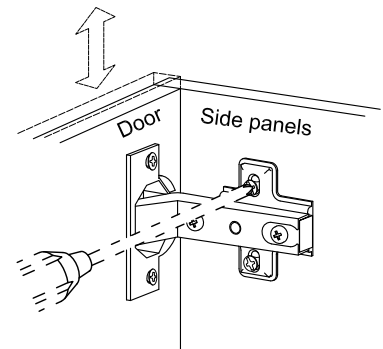
- VII. Concealed hinges are three-way adjustable.



Horizontal  
by screw adjustment

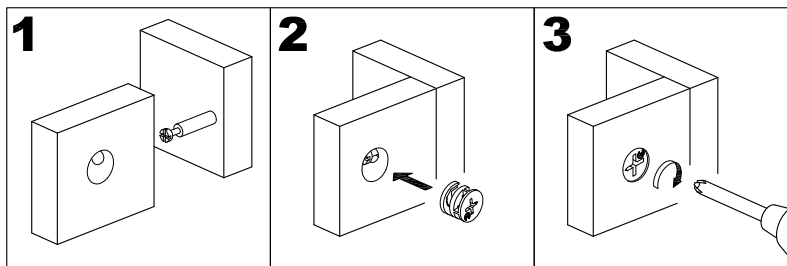


In-and-Out  
by loosening the hinge-arm  
mounting screw or via cam  
adjustment



Vertical  
Via slots in the mounting  
plate or via cam adjustment

- VIII. Insert cam lock into panel tighter with a screwdriver;



**Note: Please don't over-tighten the cam lock, otherwise, it will be broken.**

 **WARNING**

Serious or fatal injuries can occur from furniture tip-over.

To help prevent furniture tip-over:

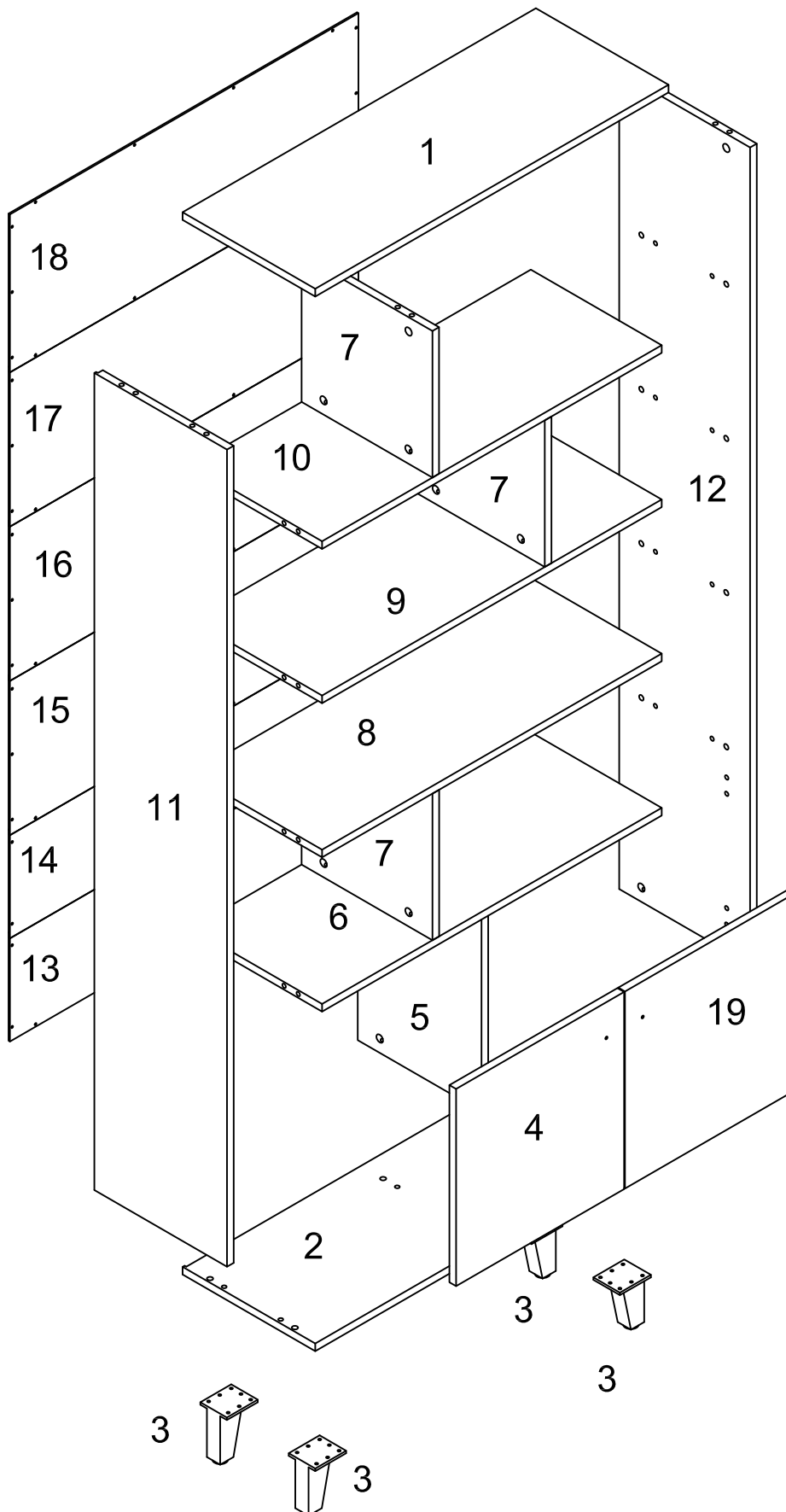
- 1/ It is recommended to use mounting hardware to secure furniture to the wall. This may reduce but not eliminate the risk of furniture tip-over.
- 2/ Do not allow children to climb on furniture.
- 3/ Keep remote controls, toys and other items that might attract children off from this product.
- 4/ Do not allow children to step on furniture.
- 5/ Unless specifically designed to accommodate , do not set televisions or other heavy objects on top of this product.

Caution:Do not allow door stay open when moving furniture.


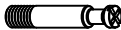



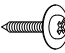








**If you find any damage after opening, please be sure to take pictures of the damage and contact us. We will help you solve the problem as soon as possible.**

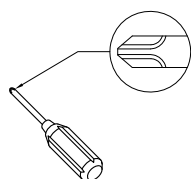
THANK YOU

# Parts List



# Hardware List

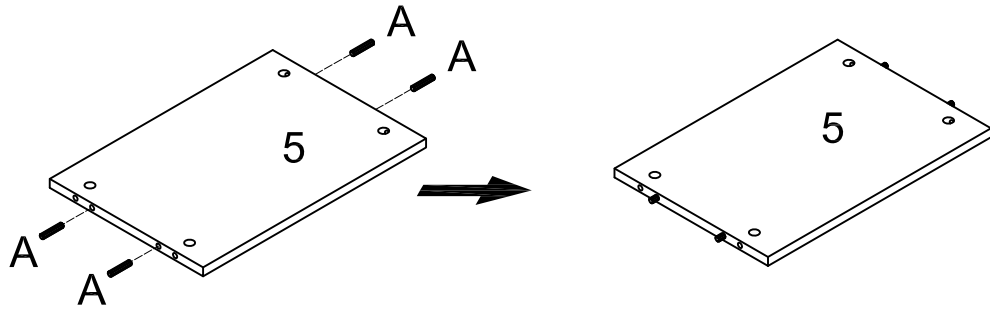
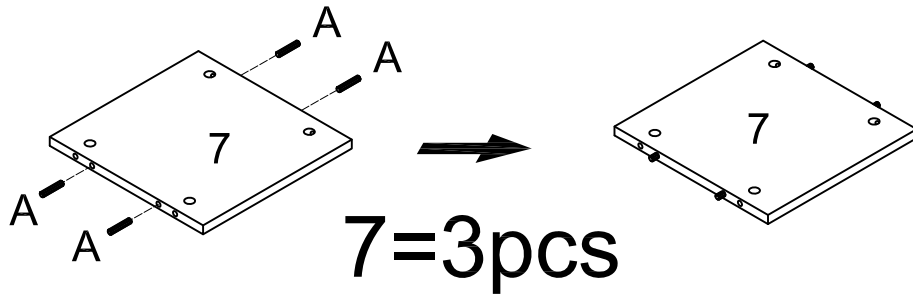
A		M8*30(mm)	Wooden dowel	40 pcs
B		M6*32(mm)	Cam bolt	40 pcs
C		Ø15*9.5mm	Cam lock	40 pcs
D		M3.5*14mm	Screw	16 pcs
E		Ø30	Sticker	40 pcs
F		M3*12(mm)	Screw	54 pcs
G			Handle	2 pcs
H		Ø4x18mm	Handle Screw	2 pcs
I		Ø26	Hinge	4 pcs
J		Ø4x12	Screw	16 pcs
k	k-1		nylon strap	1 pcs
	k-2		Ø3*16	Screw
	k-3		Ø4*25	Screw
	k-4			plug



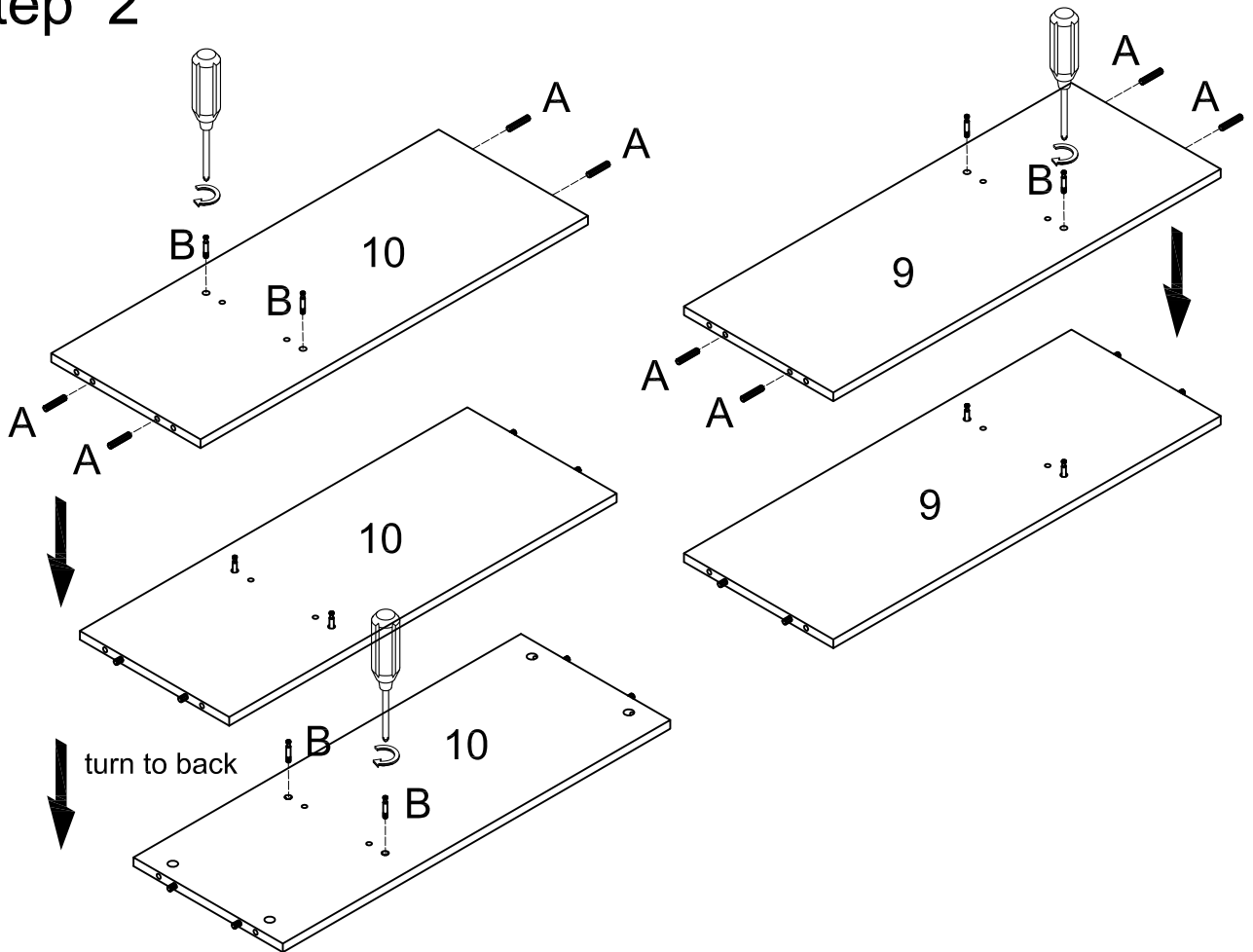
Philips head screwdriver required for assembly  
(not included)

*The hardware quantities listed above are required for proper assembly.  
Some extra hardware may also have been included.*

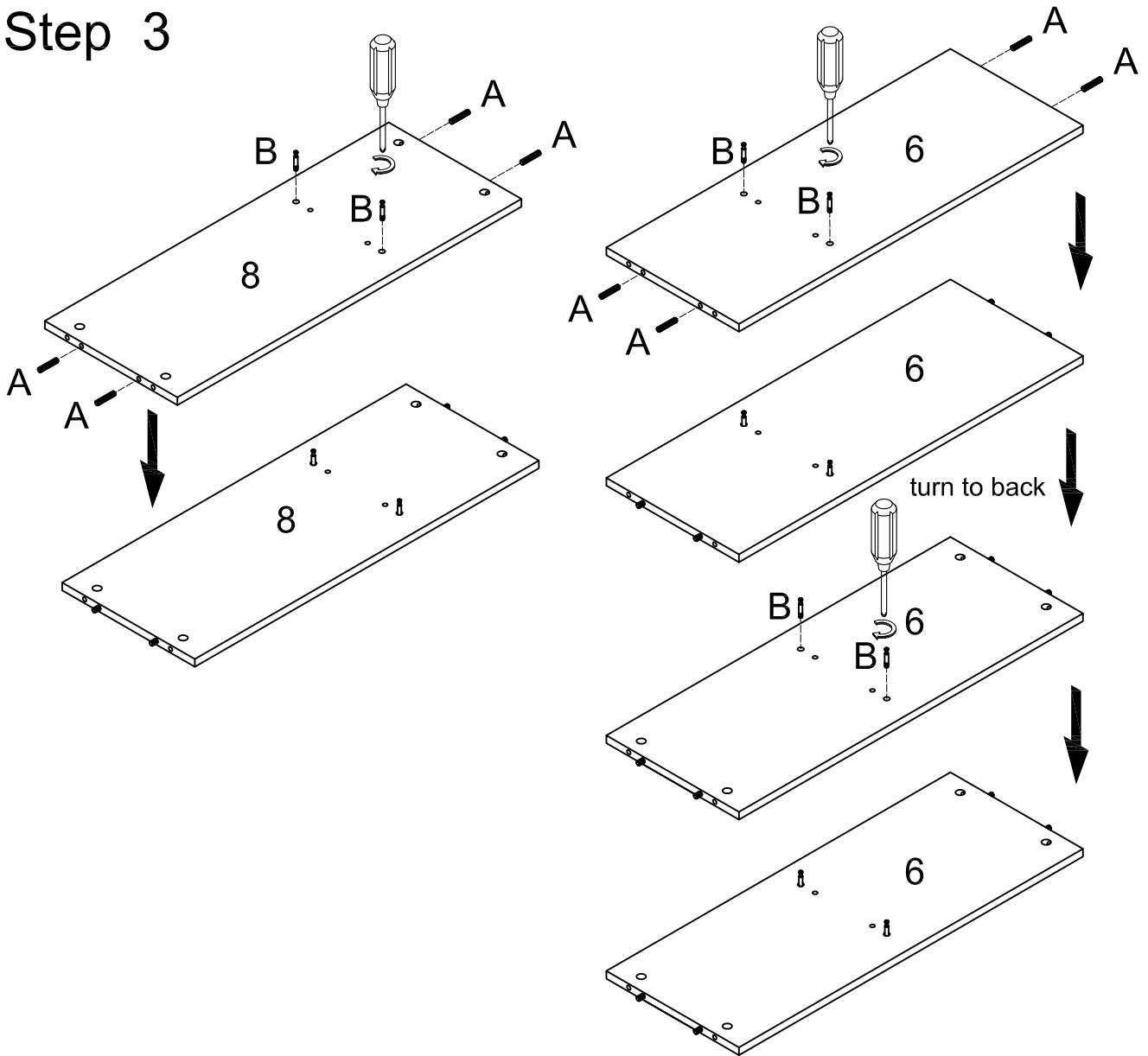
# Step 1



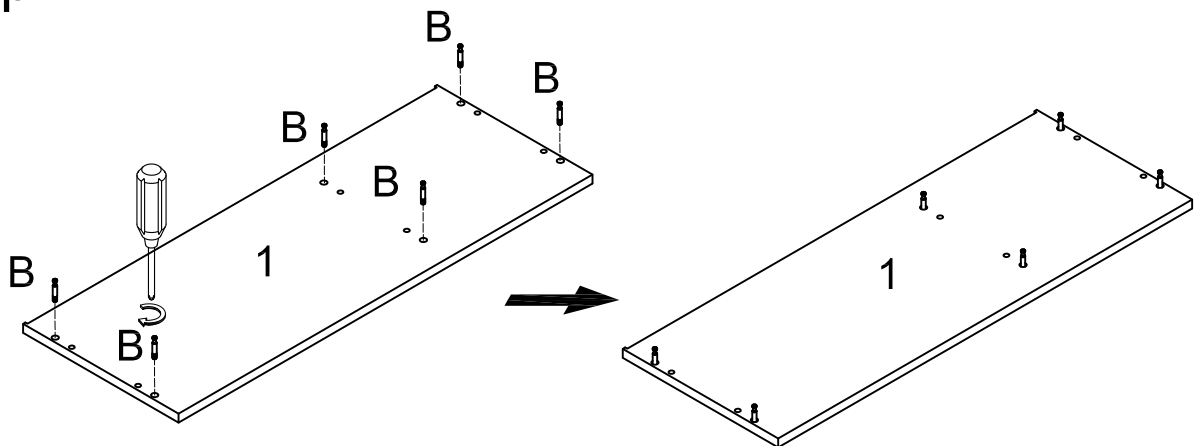
# Step 2



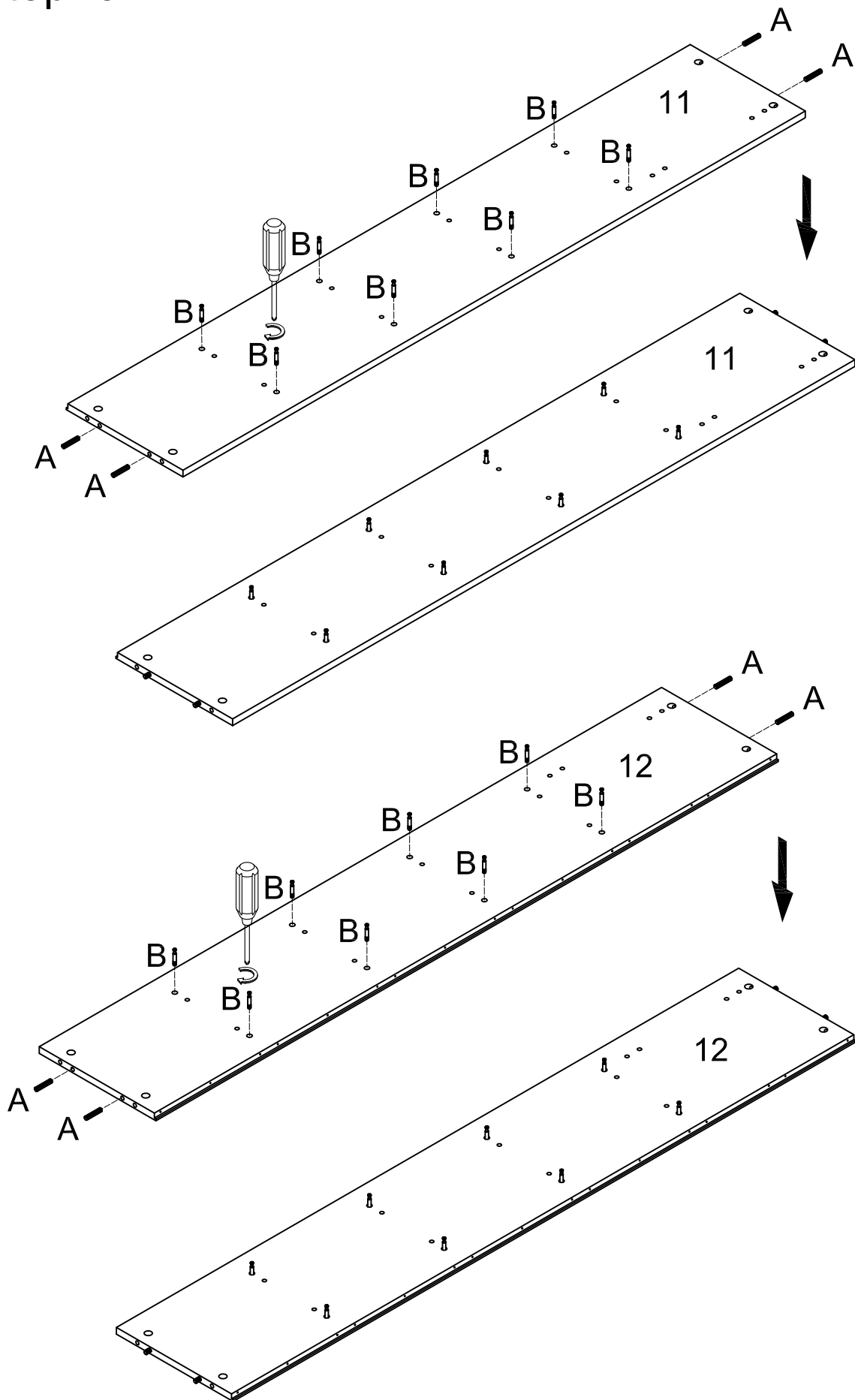
### Step 3



### Step 4

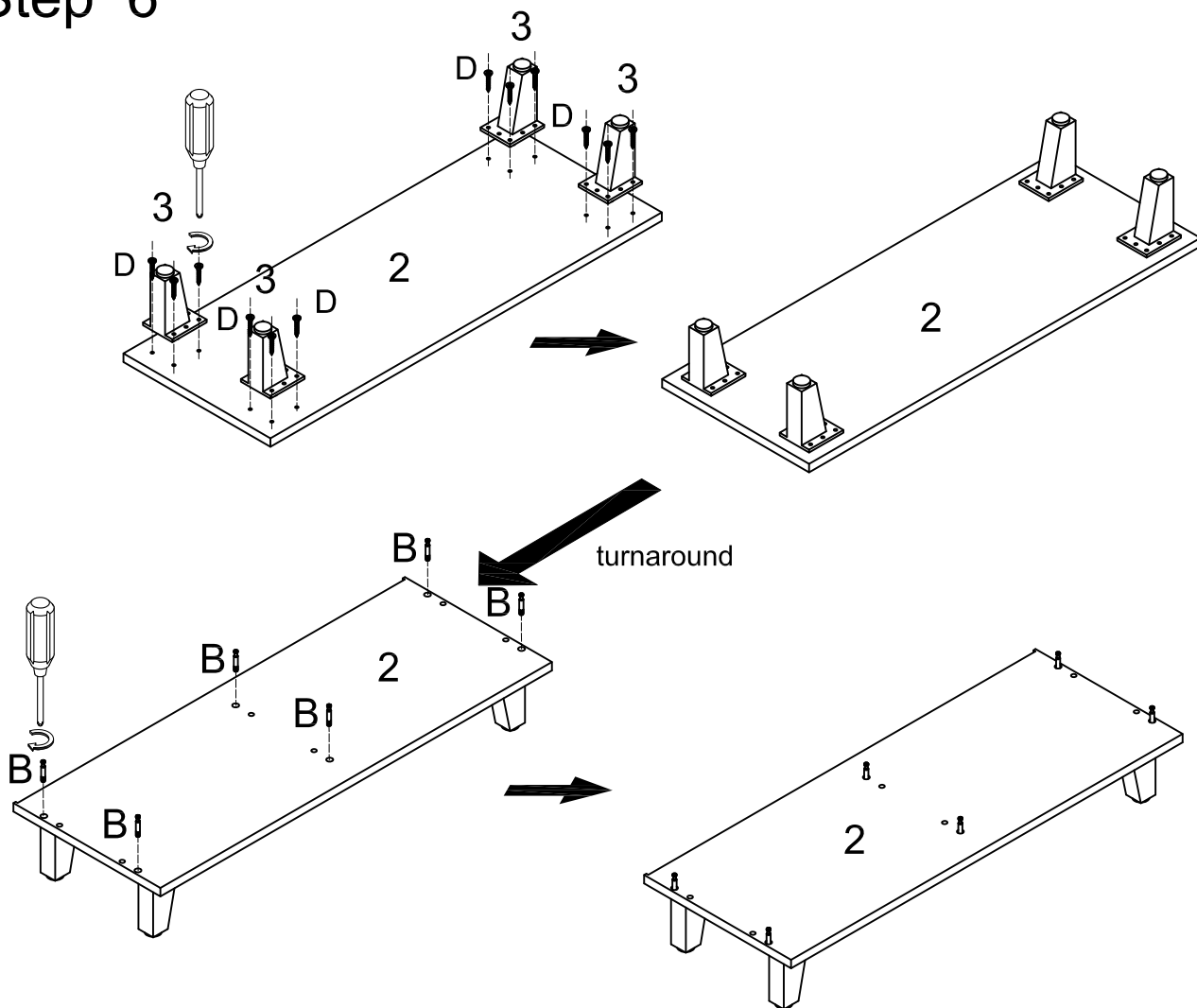


# Step 5

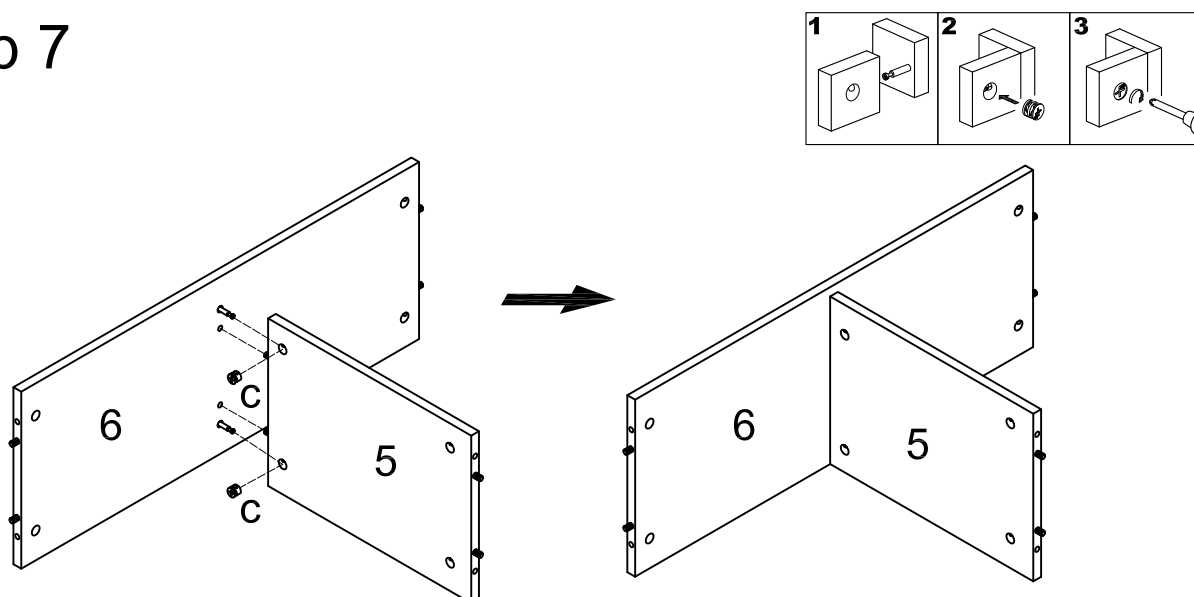




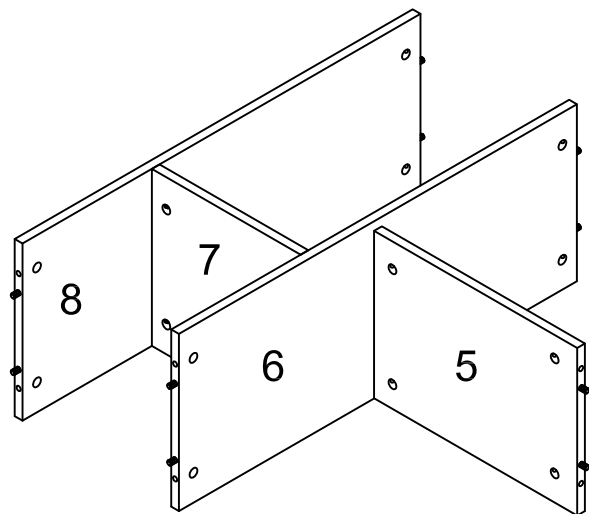
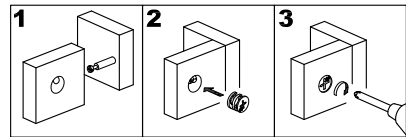
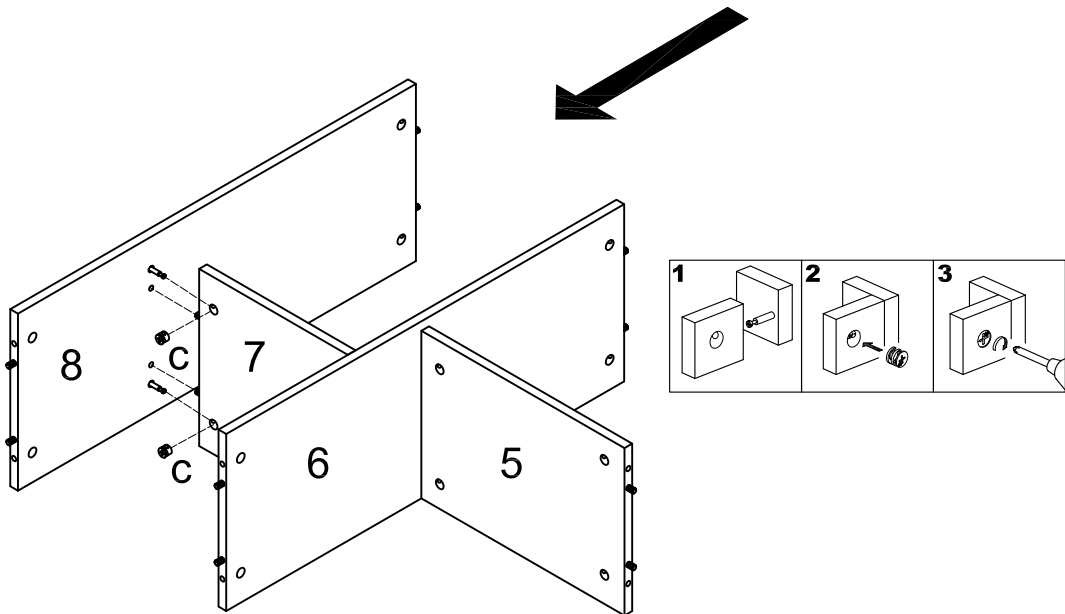
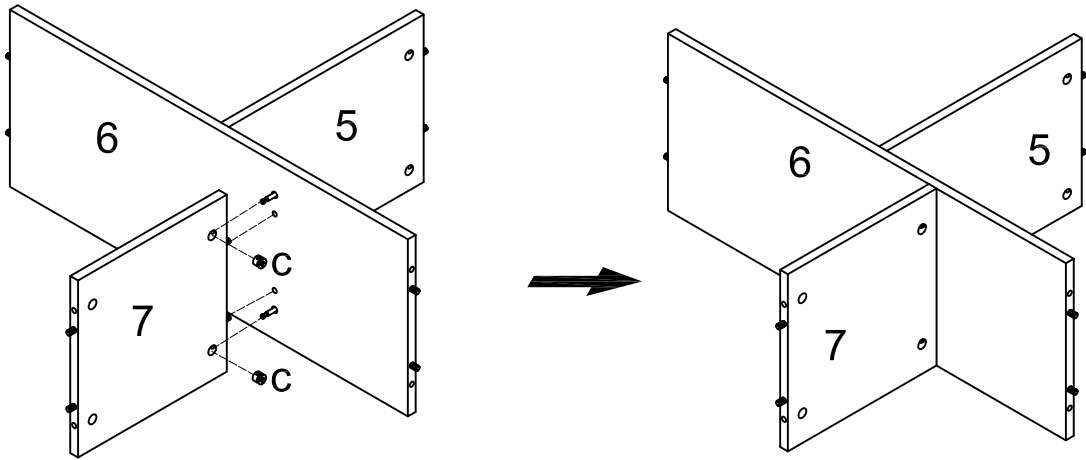
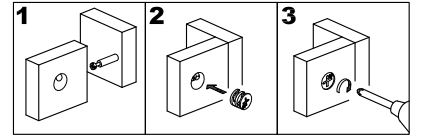
# Step 6



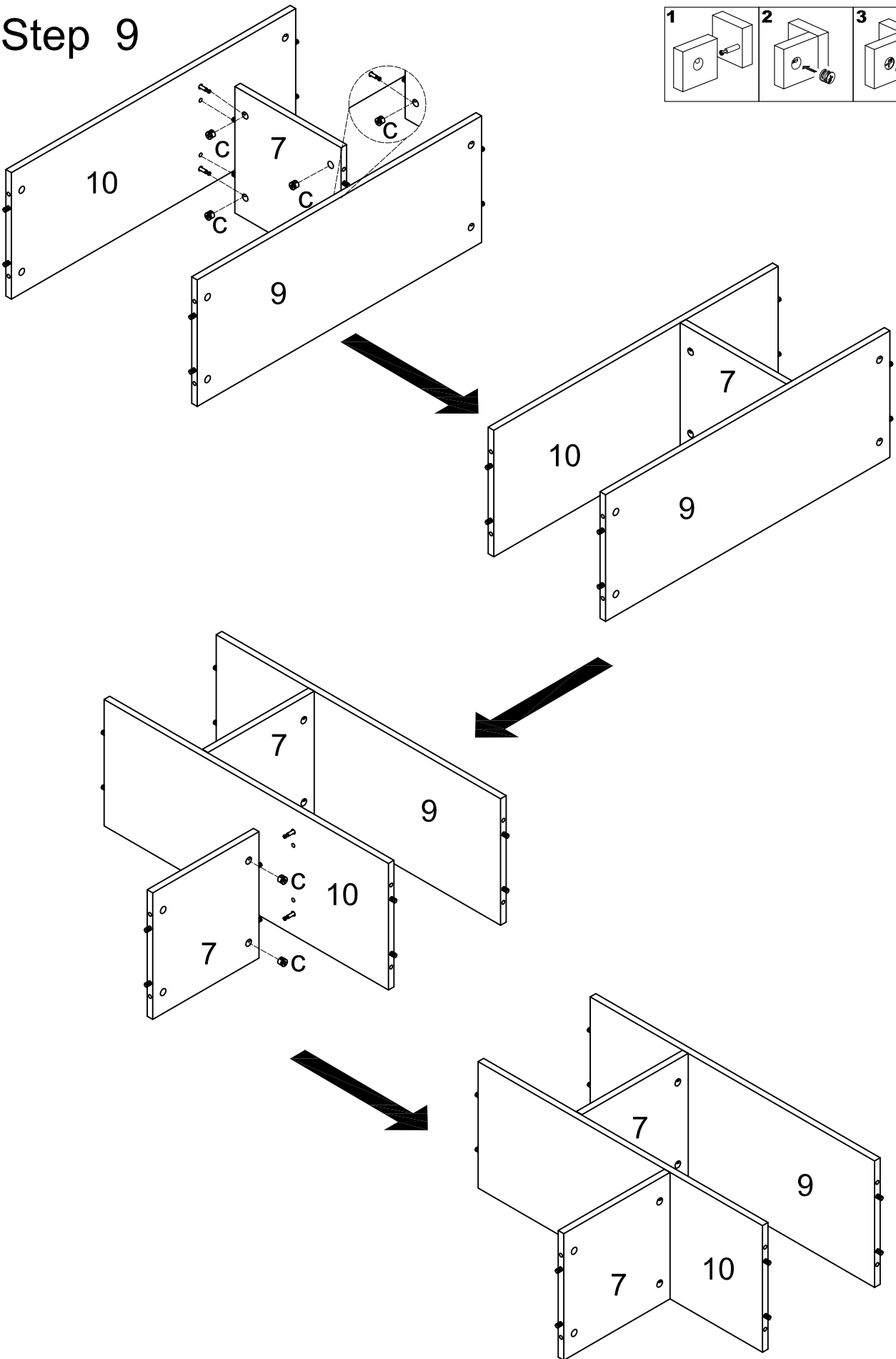
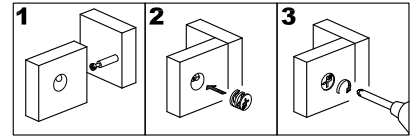
# Step 7



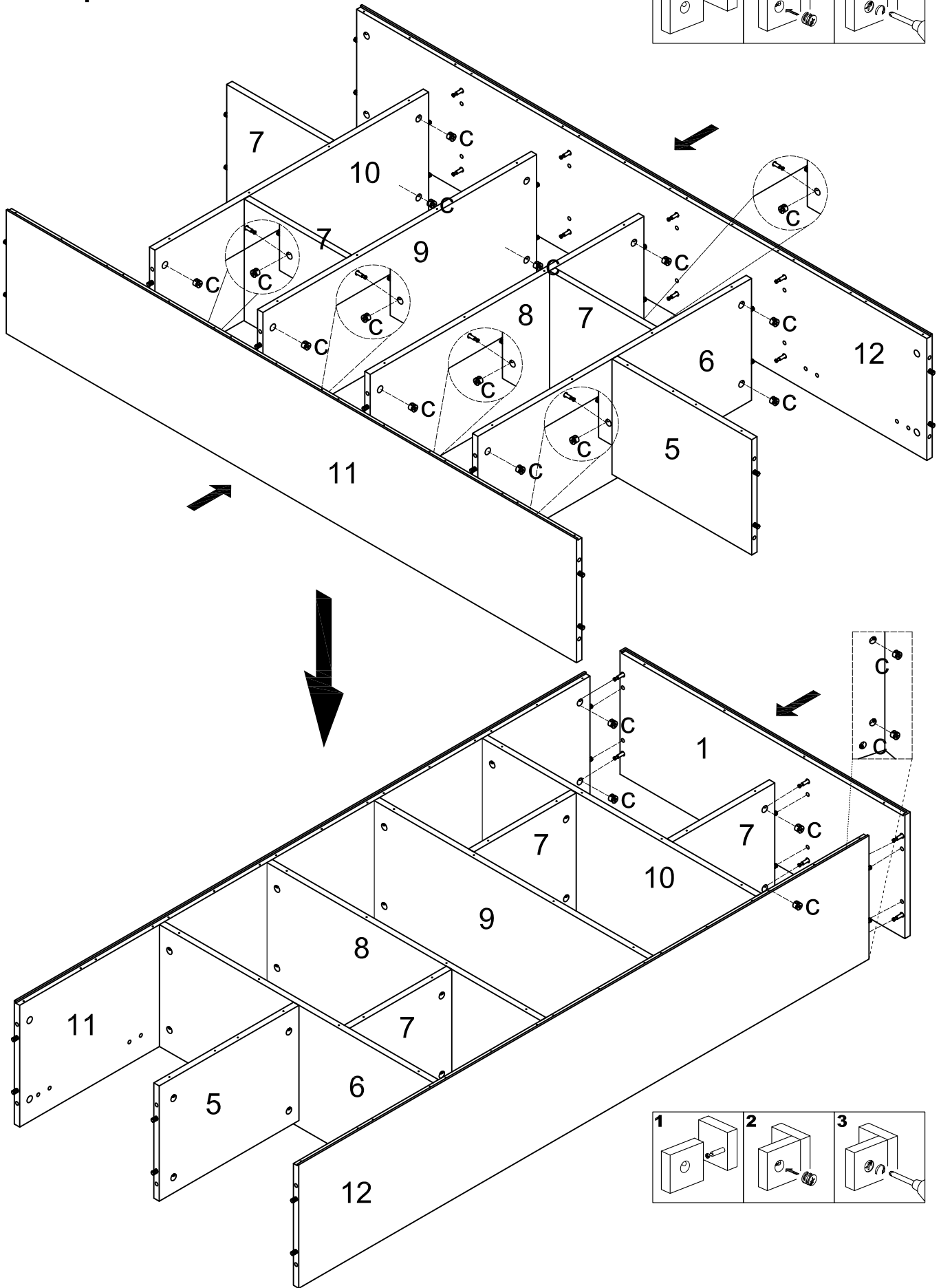
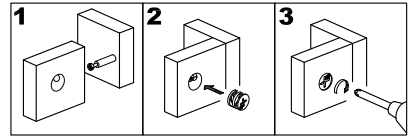
# Step 8



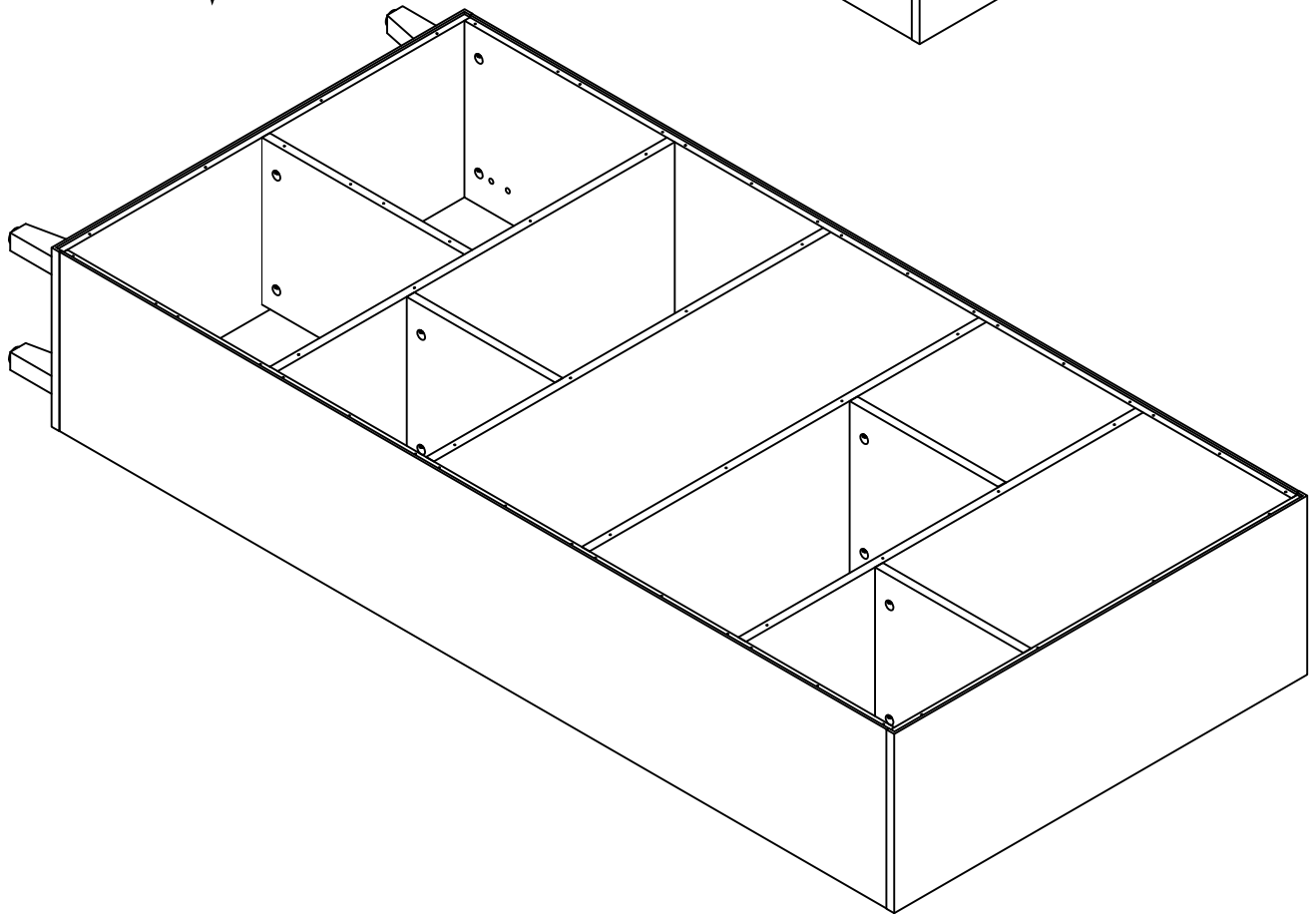
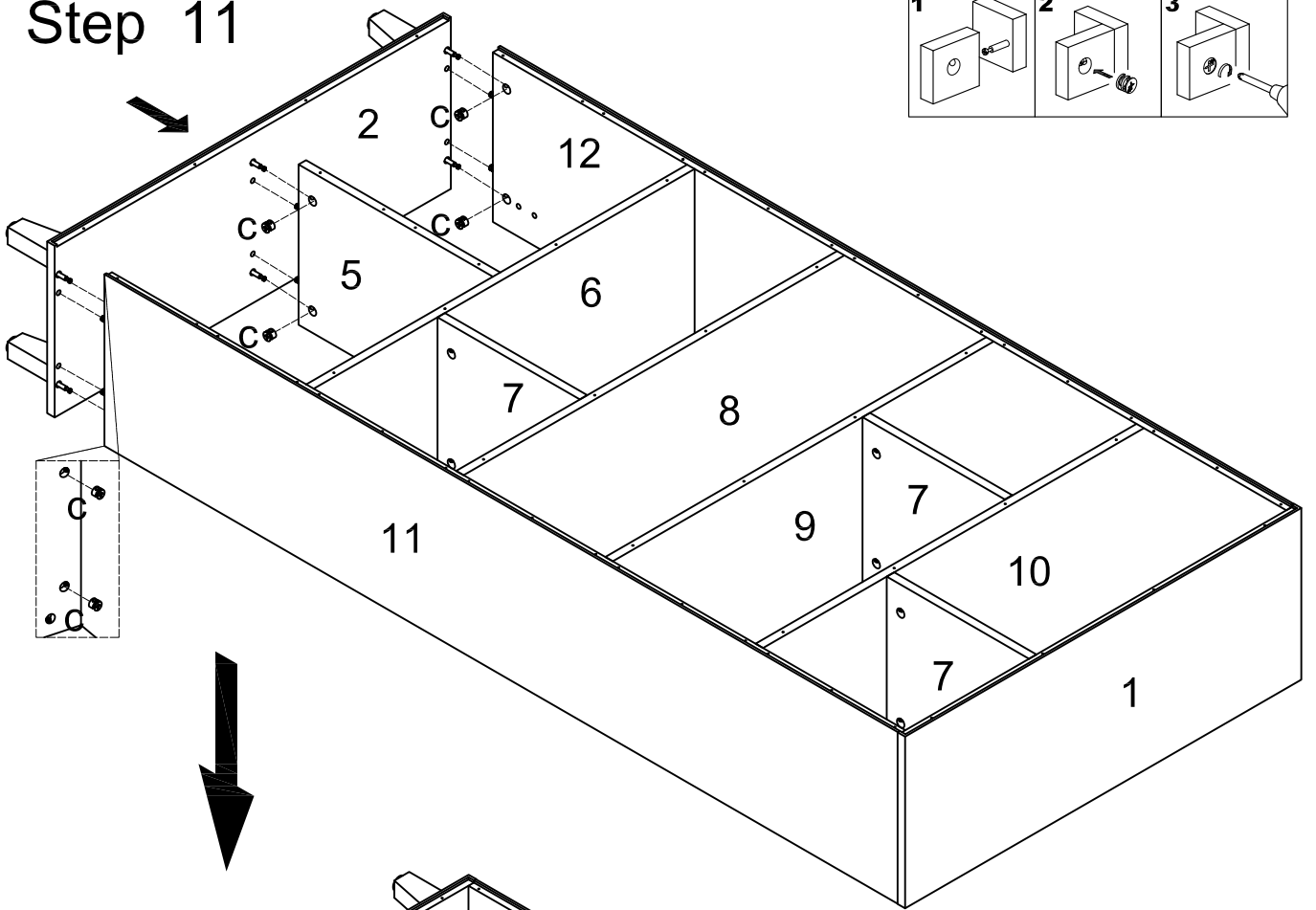
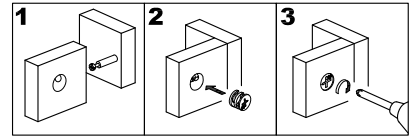
# Step 9



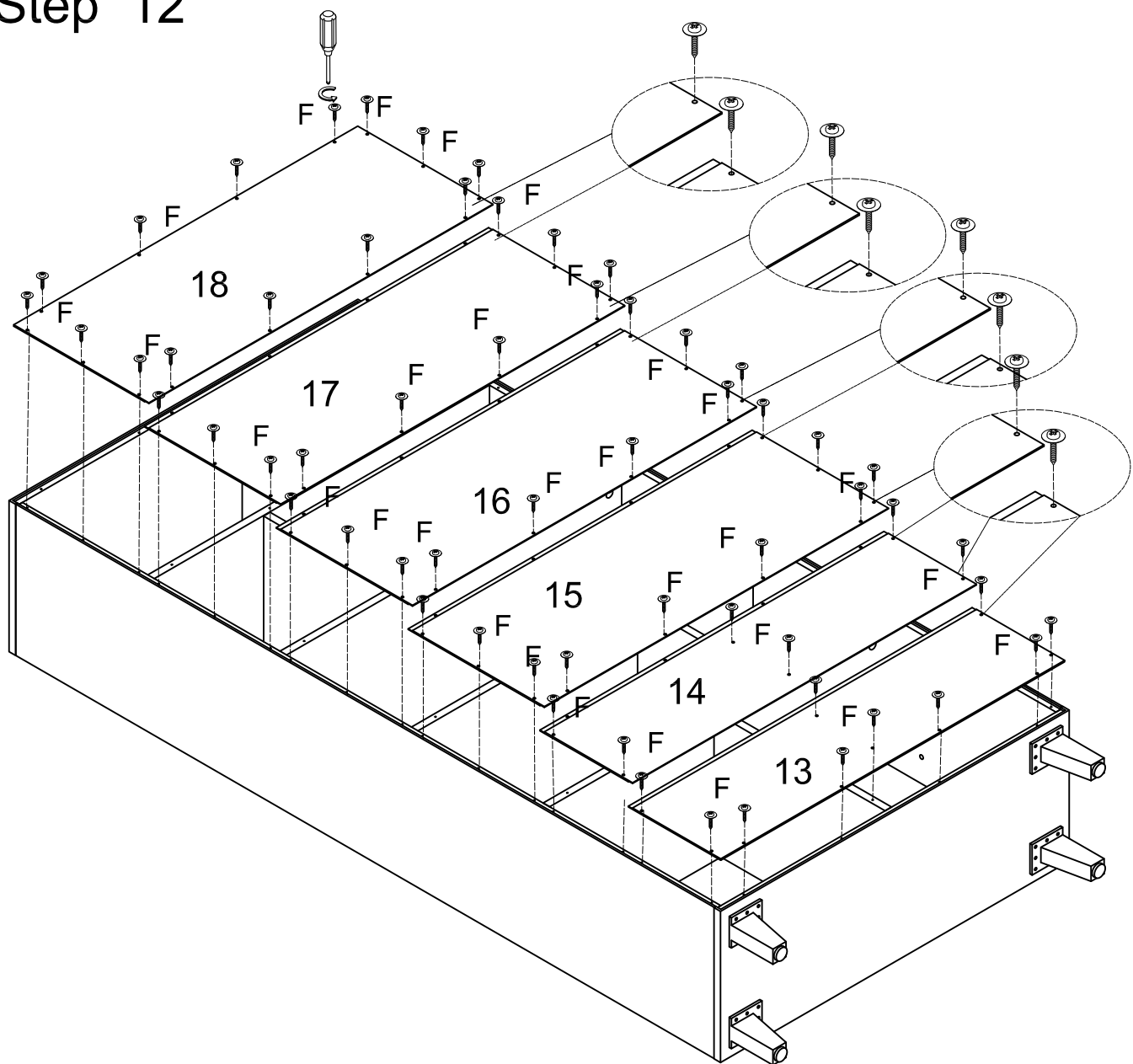
# Step 10



# Step 11

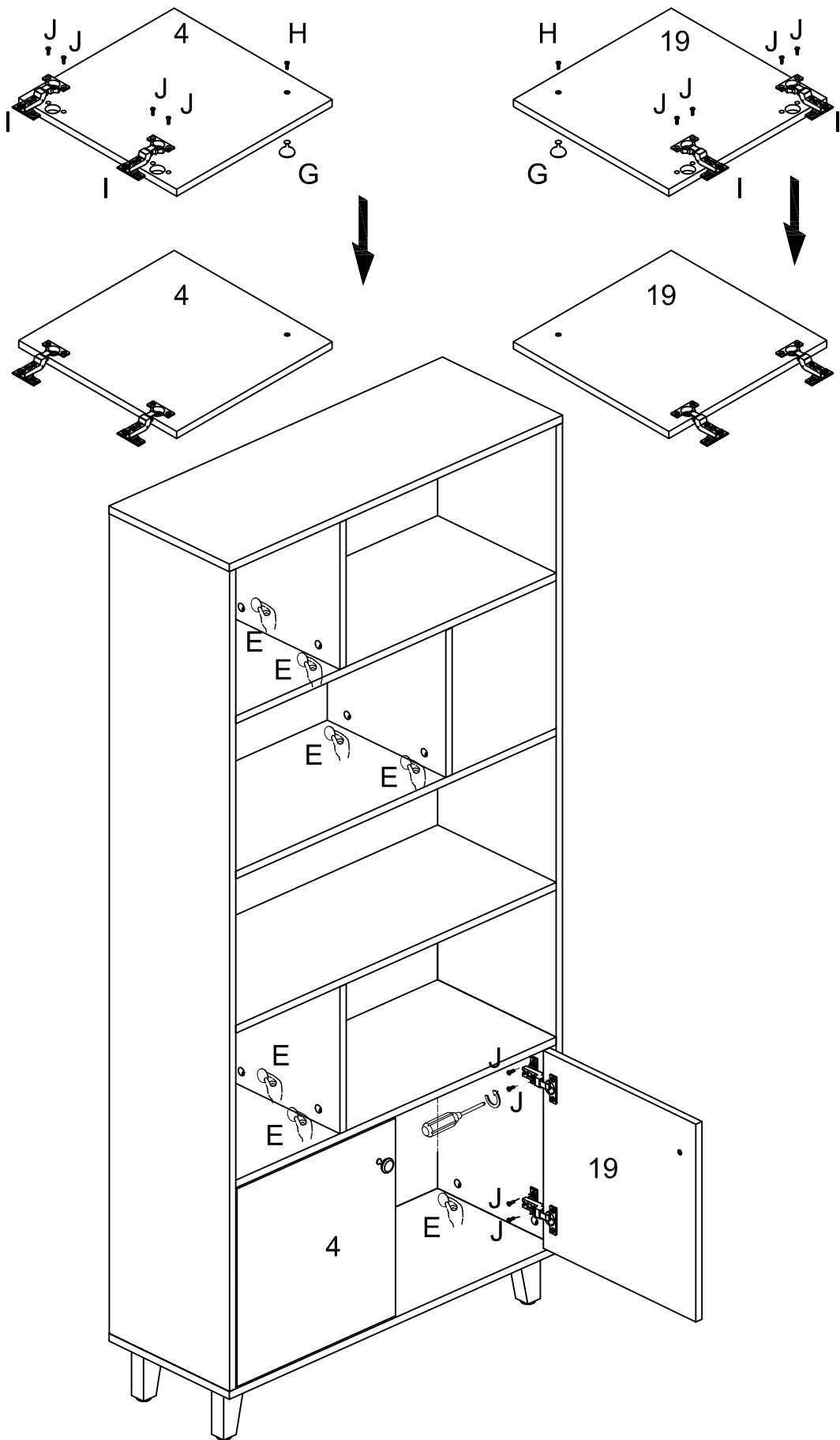


# Step 12

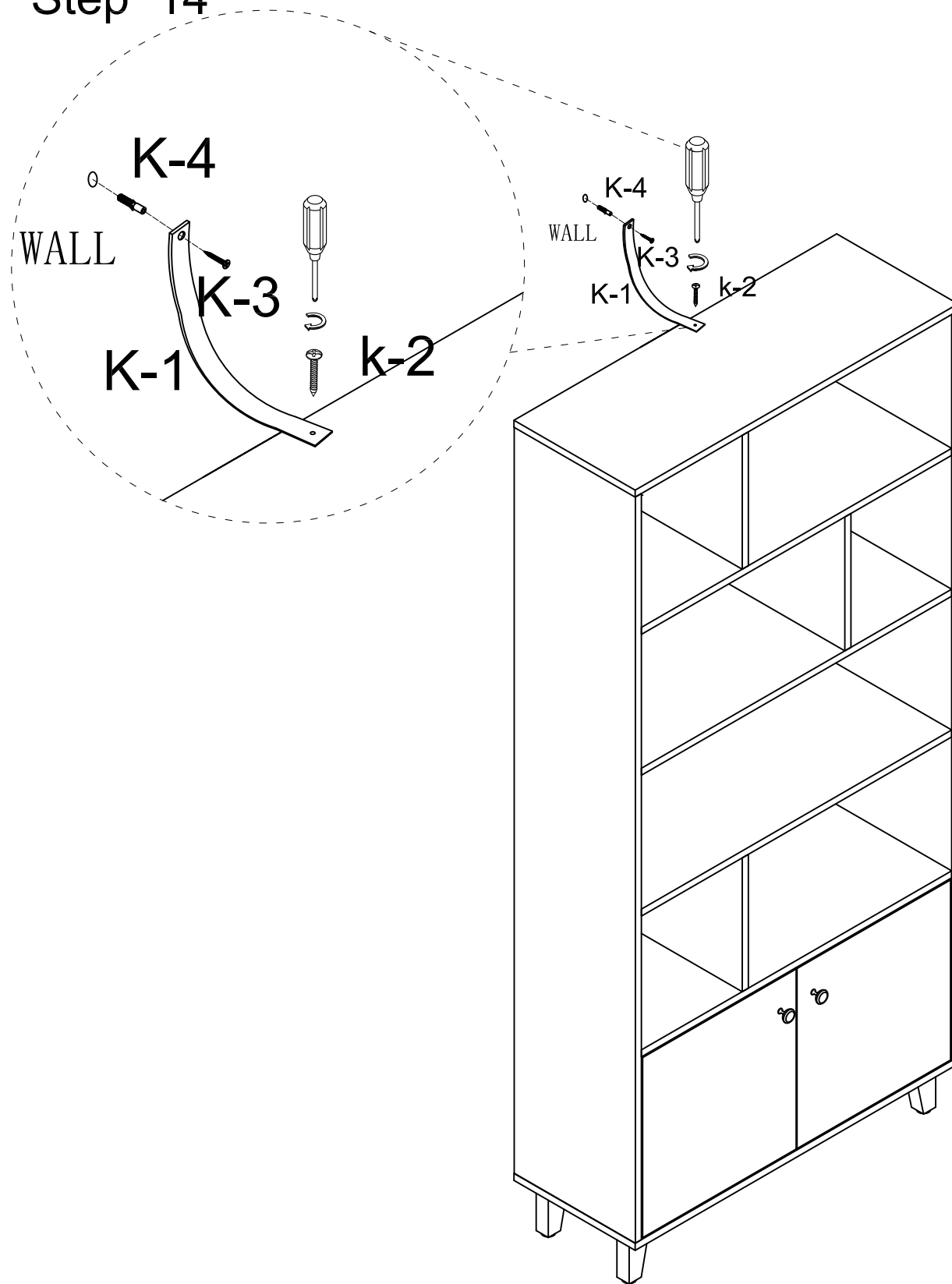


Sequence 13 14 15 16 17 18

# Step 13



# Step 14



Final Assembly