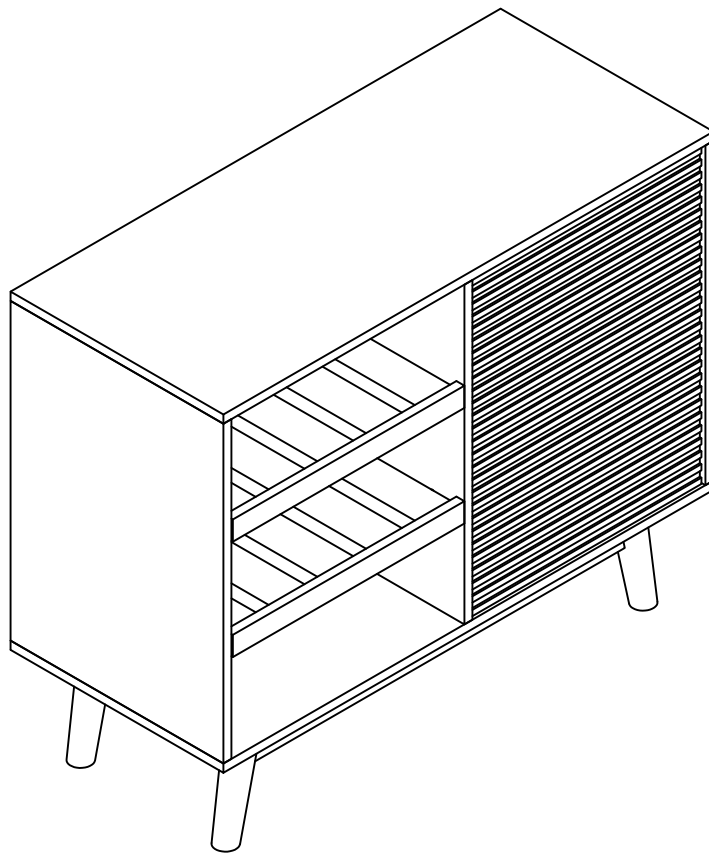
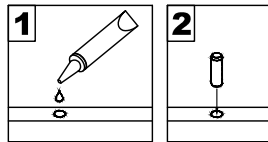


**Item # :GMG-Z03-TE**  
Assembly Instructions

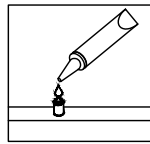


# General Assembly Guidelines

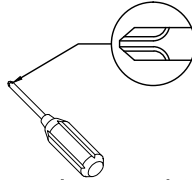
- I. Ensure that all parts and hardware are available before beginning assembly.
- II. Follow each step carefully to ensure the proper assembly of this product.
- III. Two people are recommended for ease in the assembly of this product.
- IV. The three main types of hardware used to assemble this product are: wood dowels, screws and bolts.
- V. The provided glue is to secure wood dowels in place. When first inserting dowels, locate the appropriate hole for the dowel, place a small amount of glue in the hole and insert the dowel. Wipe away excess glue immediately.



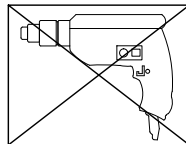
In future assembly steps when dowels are necessary to attach assembly parts together, place a small amount of glue on the end of the dowel before attaching parts together. Wipe away excess glue immediately.



- VI. A Phillips head screwdriver is required for the assembly of this product.

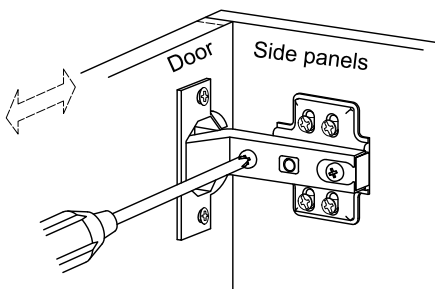


- VII. Power tools should not be used to assemble this product.

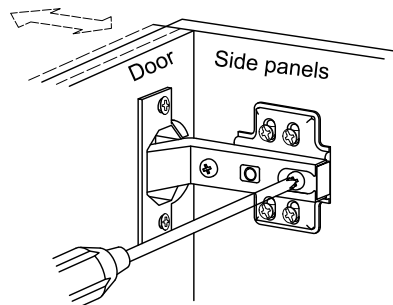


- VIII. Drill may be needed for securing product to wall.

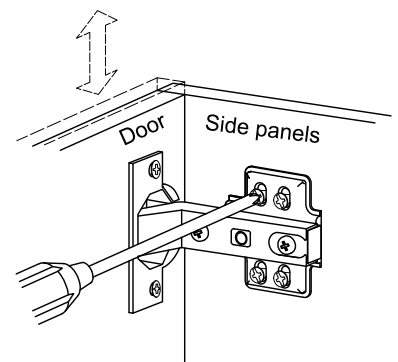
- IX. Concealed hinges are three-way adjustable.



Horizontal  
by screw adjustment

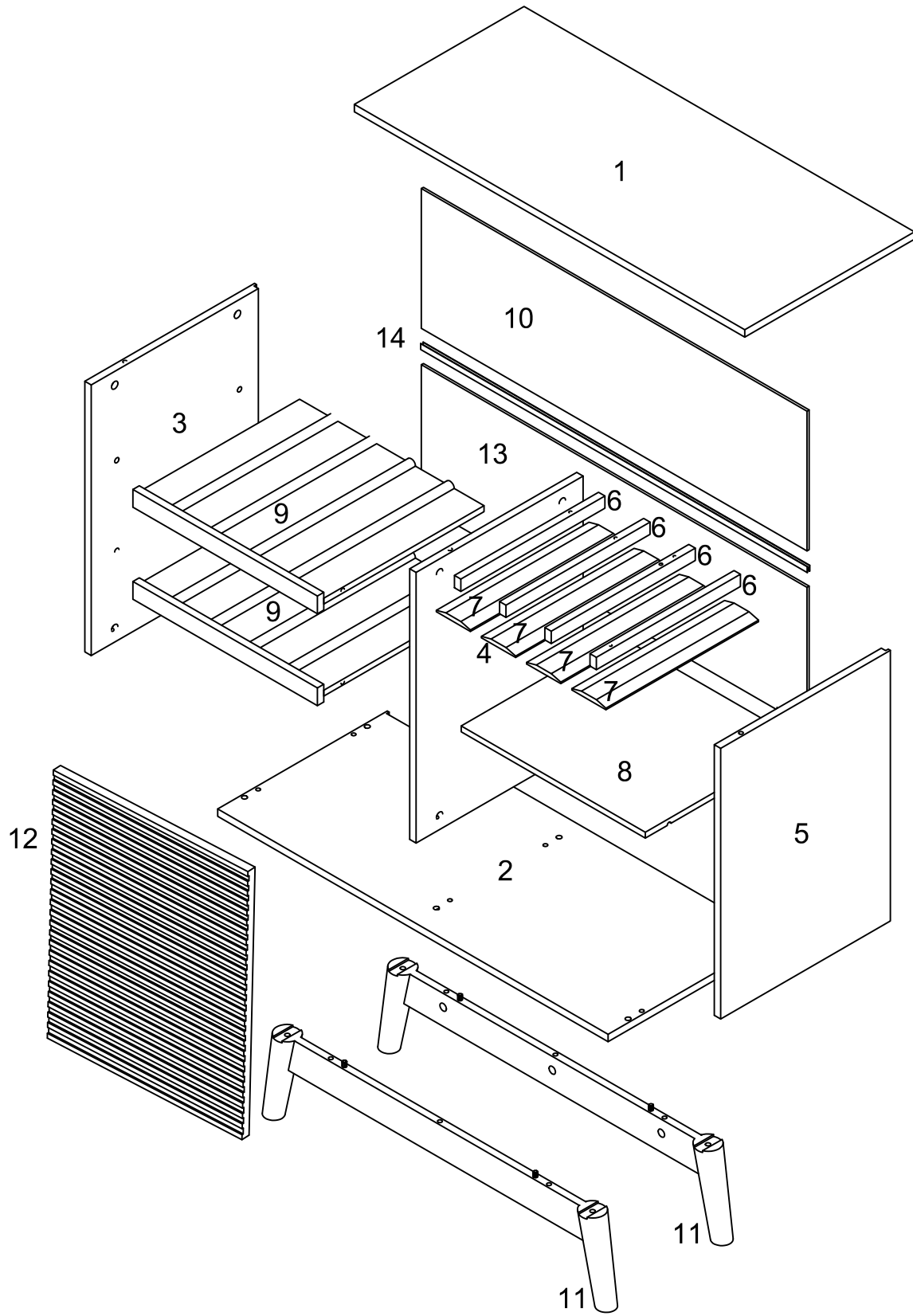


In-and-Out  
by loosening the hinge-arm  
mounting screw or via cam  
adjustment


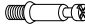

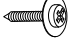



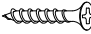

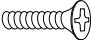






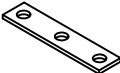


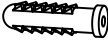
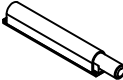
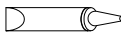


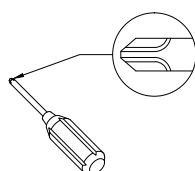
Vertical  
Via slots in the mounting  
plate or via cam adjustment

# Parts List



# Hardware List

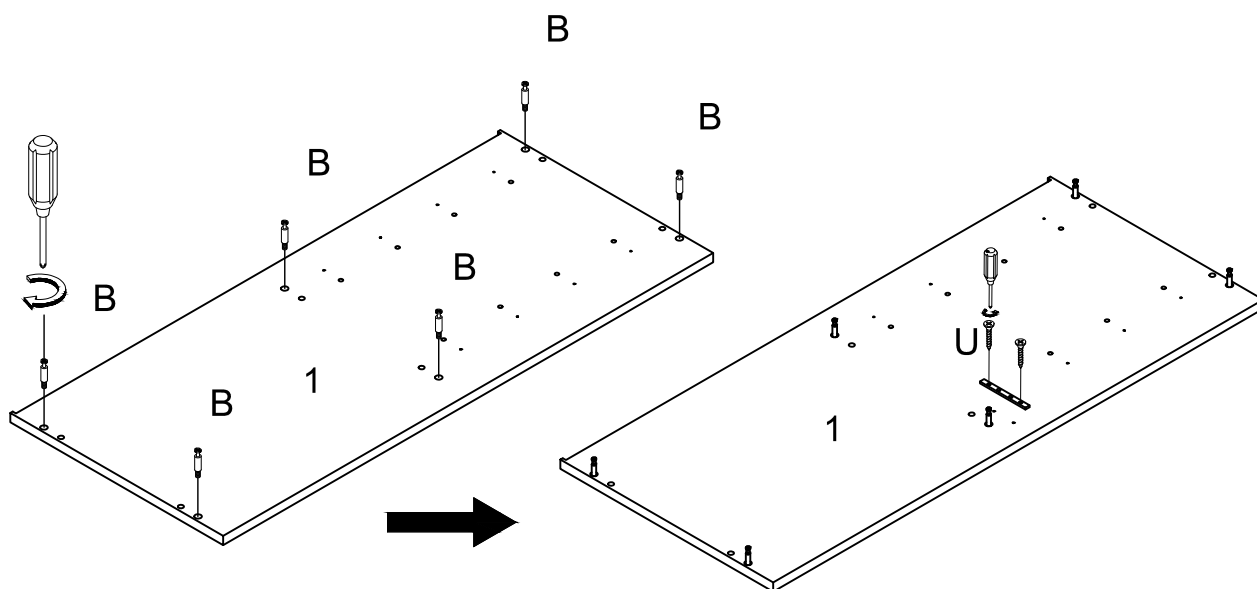
|   |   |         |                   |        |
|---|---|---------|-------------------|--------|
| A |    | Ø8x30   | Wooden dowel      | 16 pcs |
| B |    | Ø6x32   | Cam bolt          | 18 pcs |
| C |    | Ø15x9.5 | Cam lock          | 18 pcs |
| D |    | Ø7x3x16 | Screw             | 22 pcs |
| E |    |         | Shelf support pin | 8 pcs  |
| F |    | Ø8x5x16 | Shelf support pin | 4 pcs  |
| G |    | Ø6x30   | Wooden dowel      | 8 pcs  |
| H |    | Ø4x45   | Screw             | 8 pcs  |
| I |    |         | Hinge             | 2 pcs  |
| J |    | Ø4x12   | Screw             | 12 pcs |
| K |   |         | Sticker           | 18 pcs |
| L |  | M4 mm   | Hex key           | 1 pcs  |
| M |  | Ø6x30mm | Bolt              | 4 pcs  |
| N |  | Ø6x15mm | Bolt              | 8 pcs  |
| O |  |         | Lock Washer       | 12 pcs |
| P |  |         | Flat              | 12 pcs |
| Q |  |         | Plate             | 4 pcs  |
| R |  | Ø4x25   | Screw             | 1 pcs  |
| S |  |         | Plastic strap     | 1 pcs  |
| T |  |         | Nut               | 1 pcs  |
| U |  |         |                   | 1 pcs  |
| V |  |         | Glue tube         | 1 pcs  |



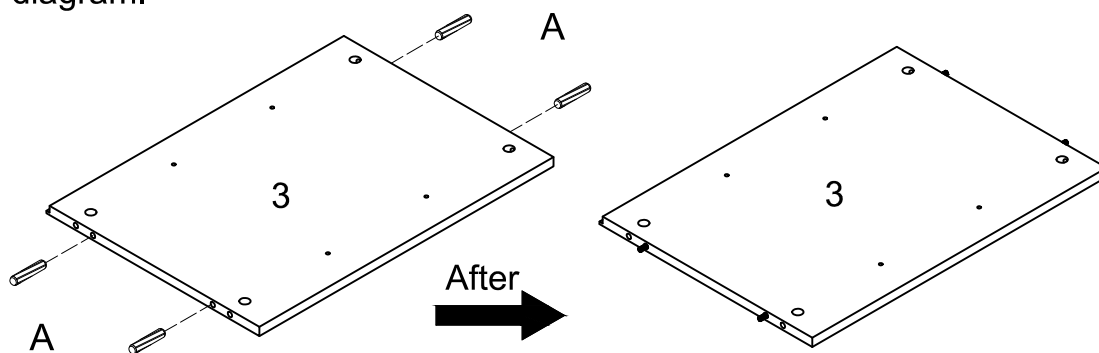
Philips head screwdriver required for assembly  
(not included)

*The hardware quantities listed above are required for proper assembly.  
Some extra hardware may also have been included.*

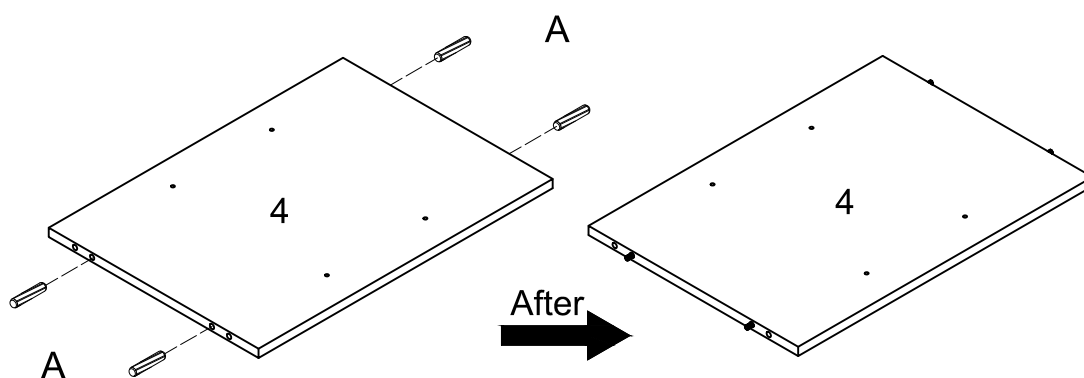
# Step 1



Secure cam bolt (B) into part (1) with Philips head screwdriver as per diagram. Using screw attach part (U) in part (1) with Philips head screwdriver as per diagram.

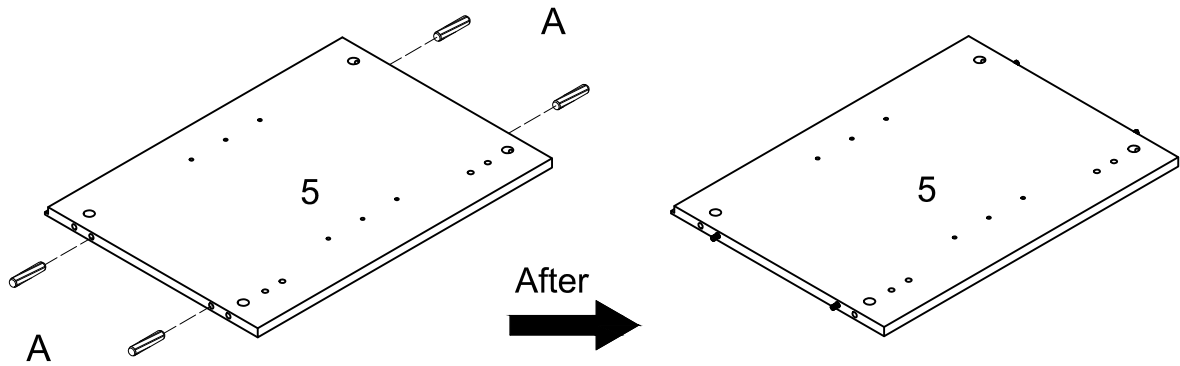


Insert wooden dowel (A) into parts (3,4) as per diagram.

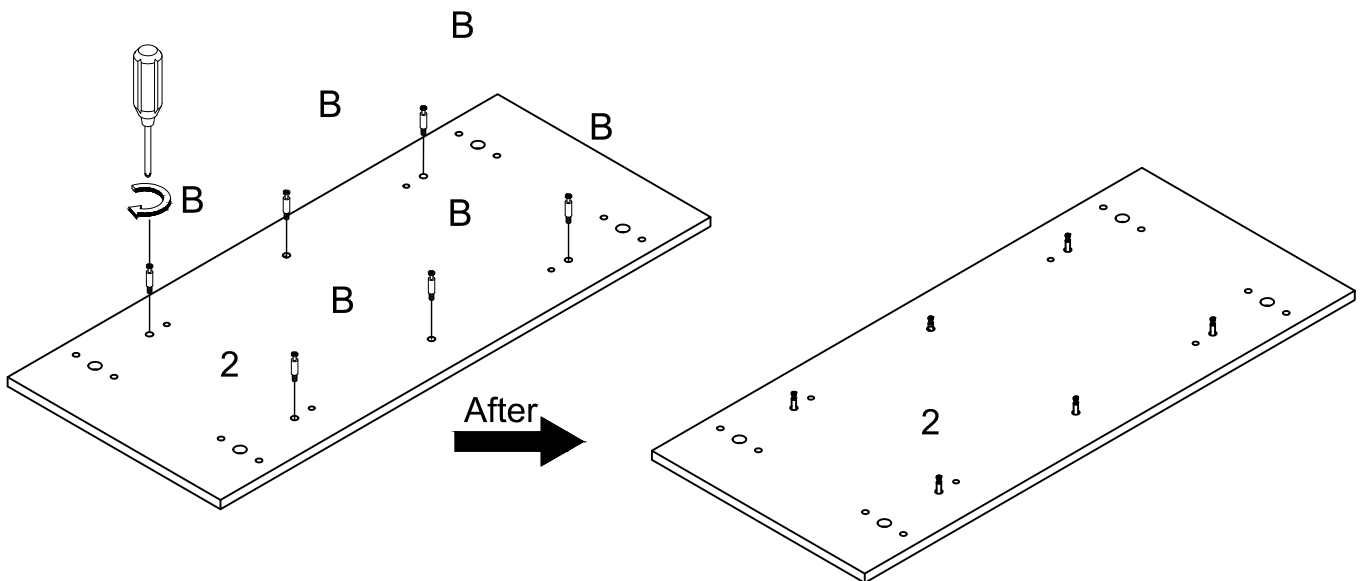


# Step 2

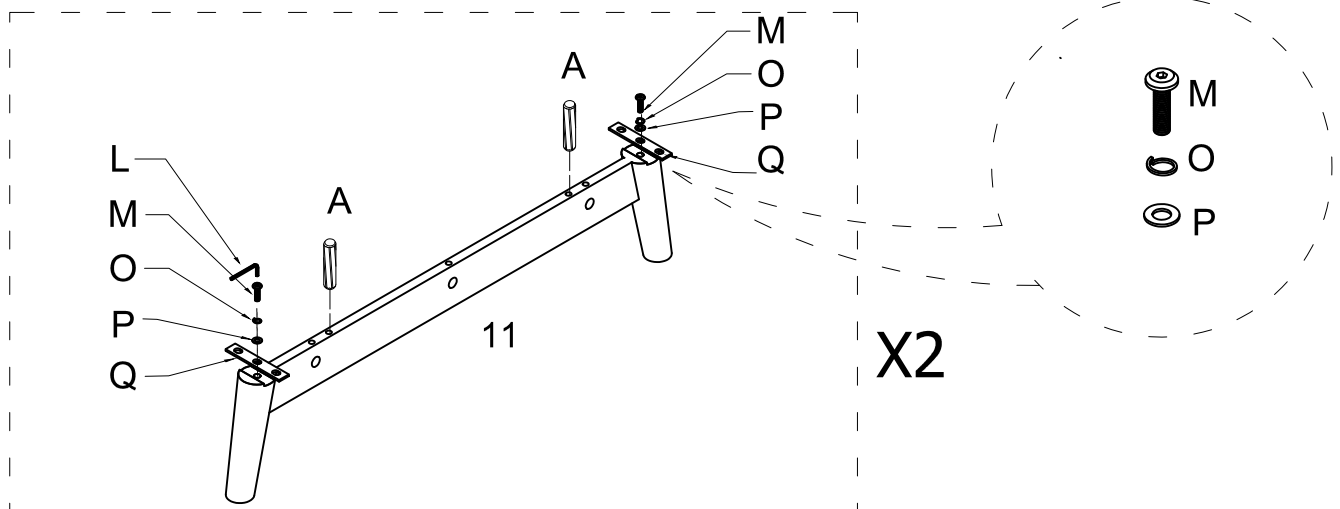
Insert wooden dowel (A) into parts (5) as per diagram.



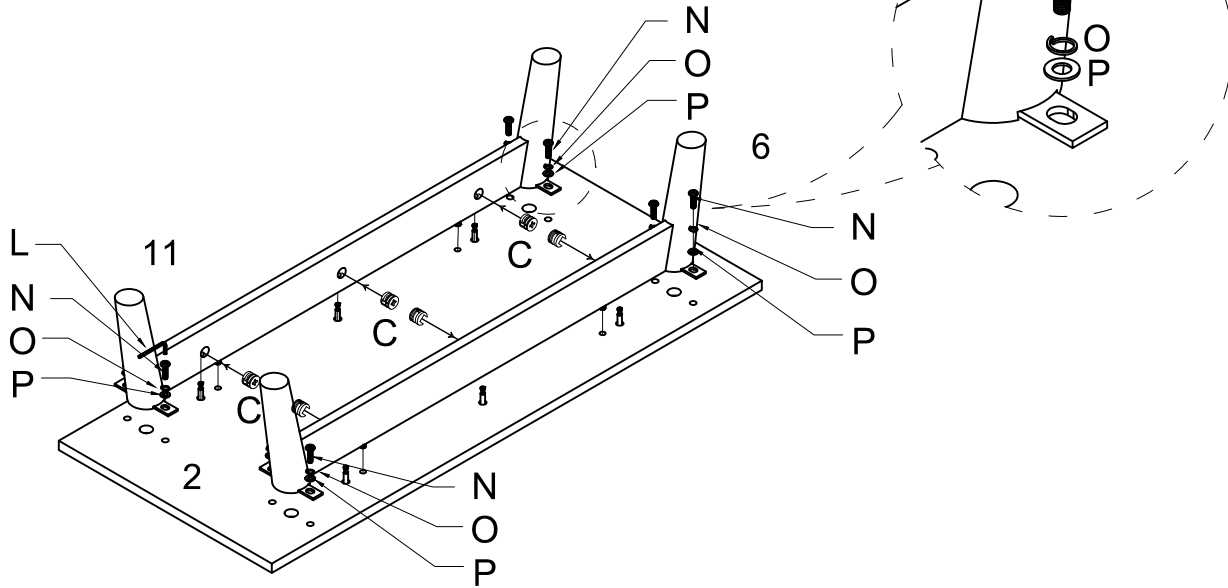
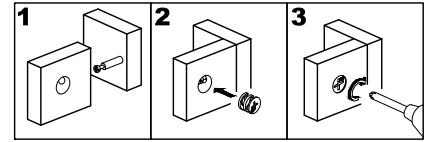
Secure cam bolt (B) into part (2) with Philips head screwdriver as per diagram.



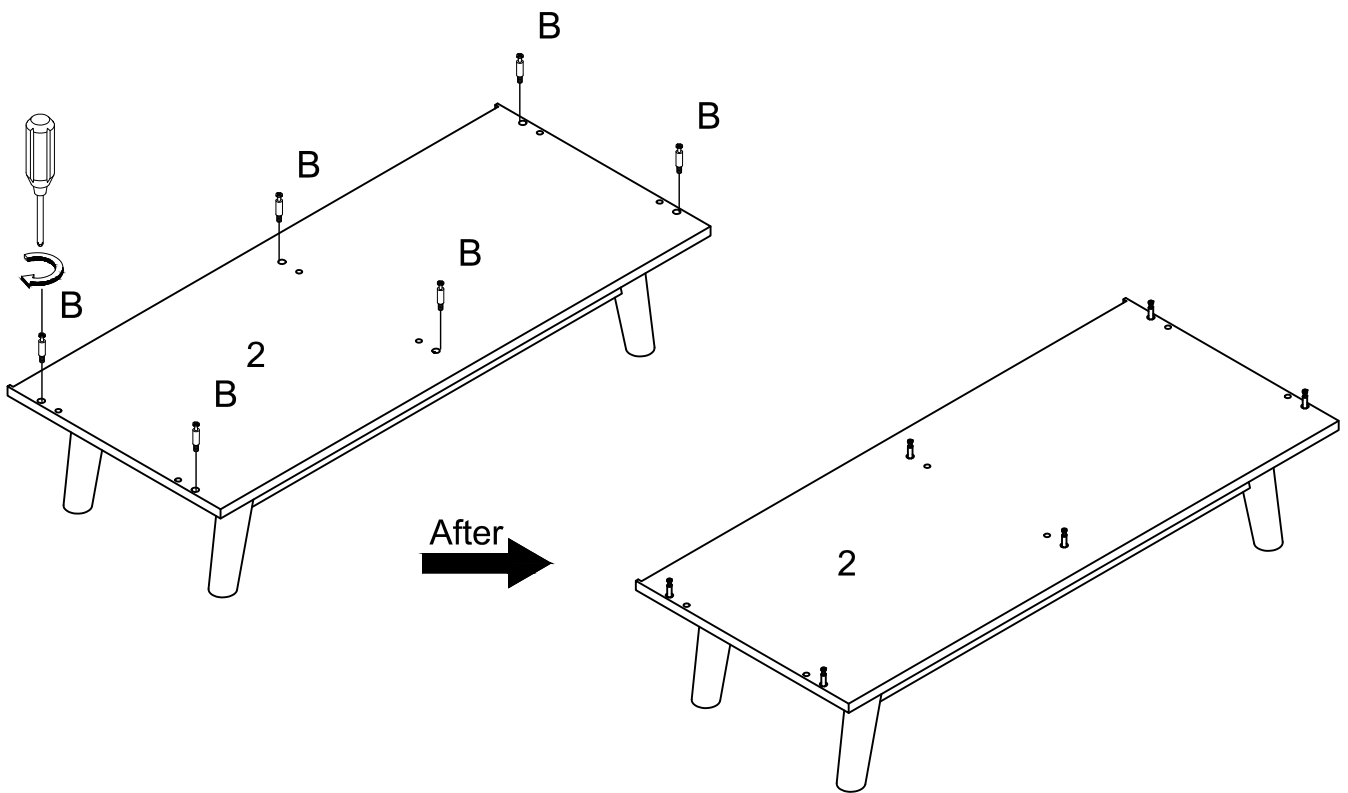
Insert wooden dowel (A) into part (11), then using bolt (M) attach lock washer (O), flat washer (P) and plate (Q) to part (11) with hex key (L) as per diagram.



# Step 3

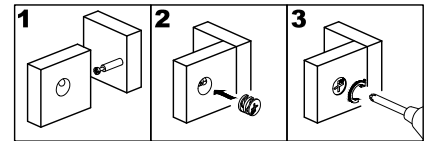


Using bolt (N) attach lock washer (O), flat washer (P) into part (11) to part (2) with hex key (L) then using cam lock (C) secure parts (11) with Philips head screwdriver as per diagram.

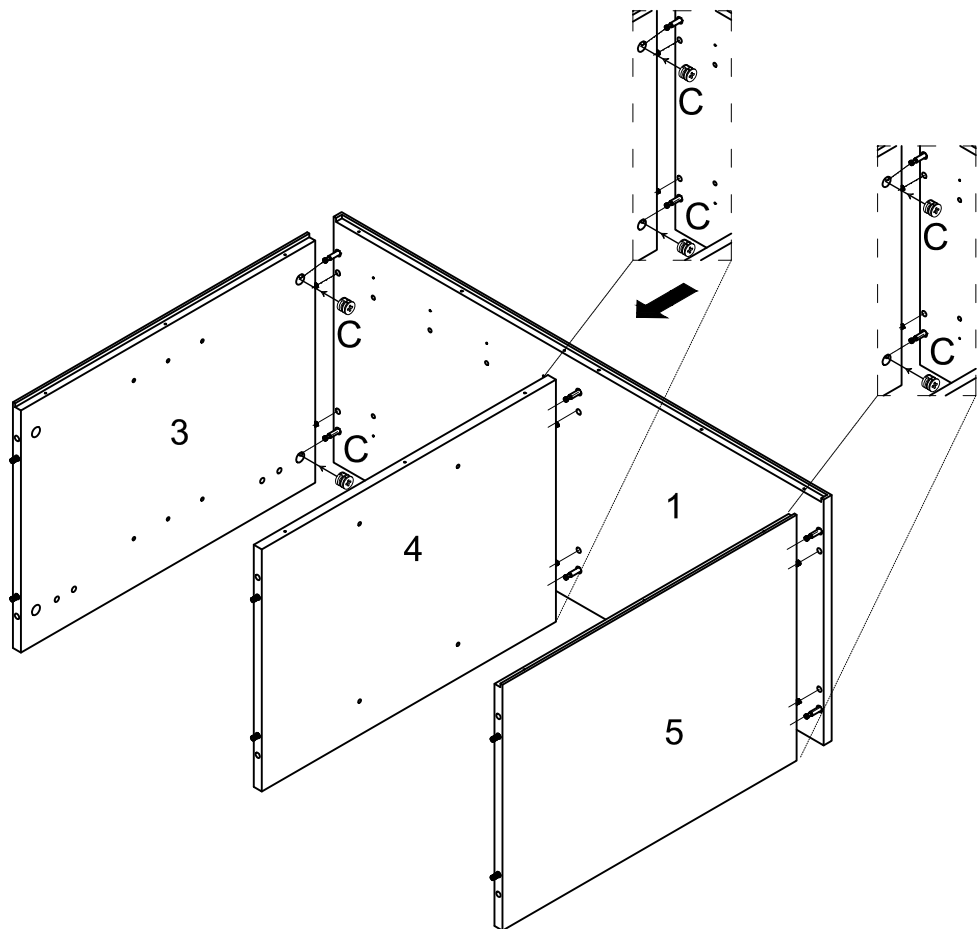


Secure cam bolt (B) into part (2) with Philips head screwdriver as per diagram.

# Step 4



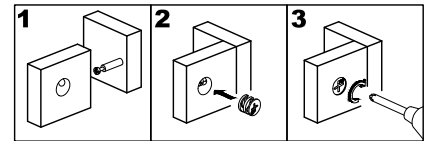
Note: Please don't over-tighten the cam lock, otherwise, it will be broken.



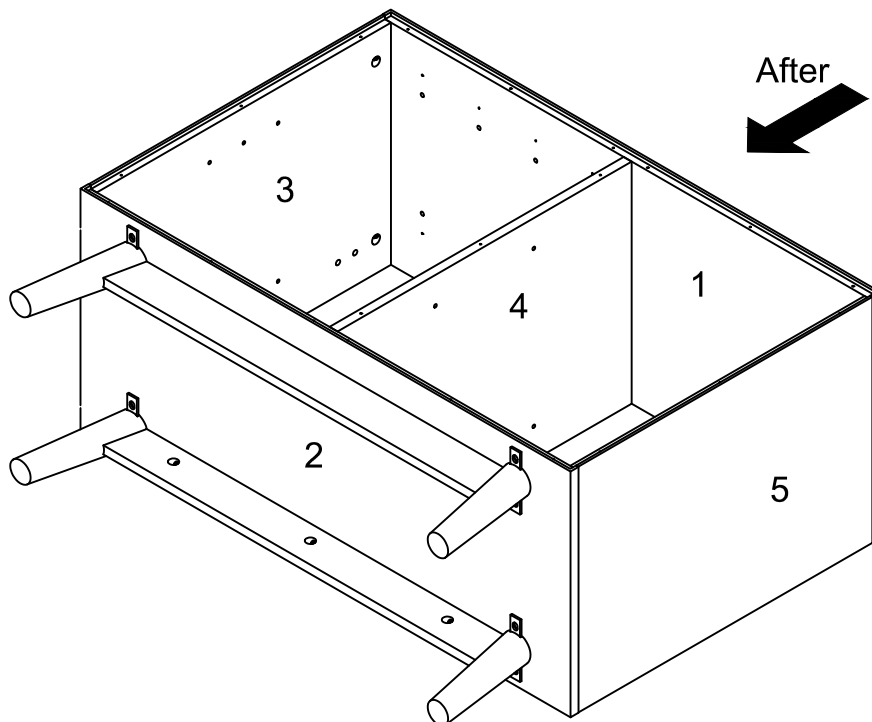
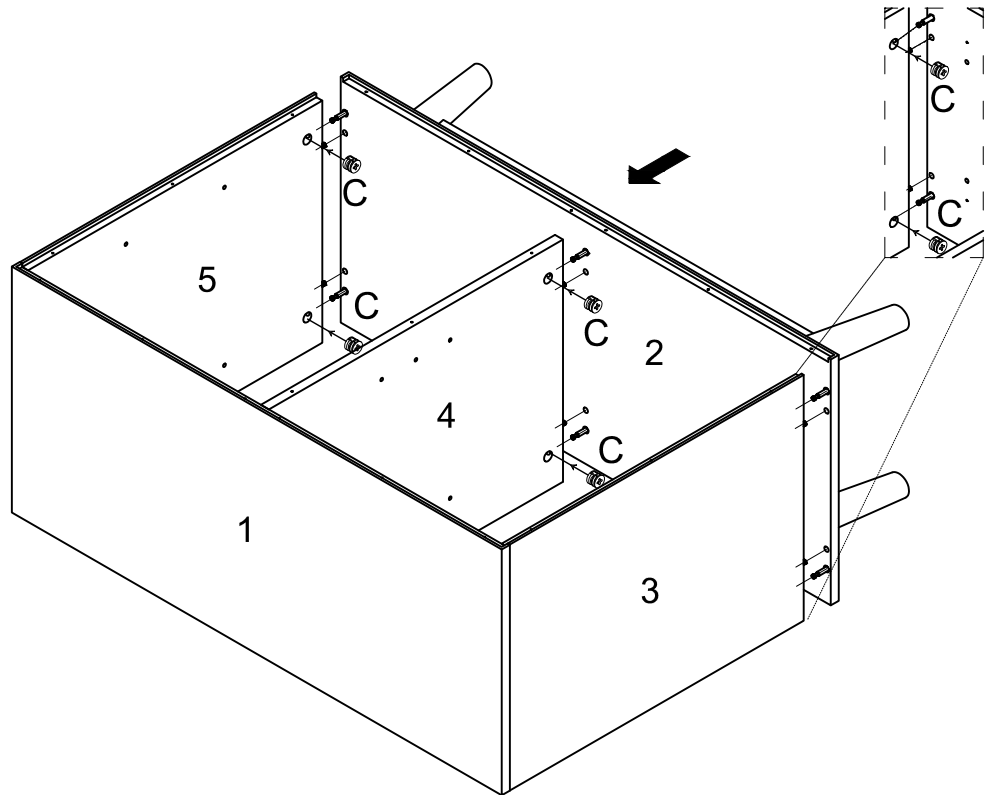
Using cam lock (C) secure parts (3,4,5) to part (1) with Philips head screwdriver as per diagram.



# Step 5

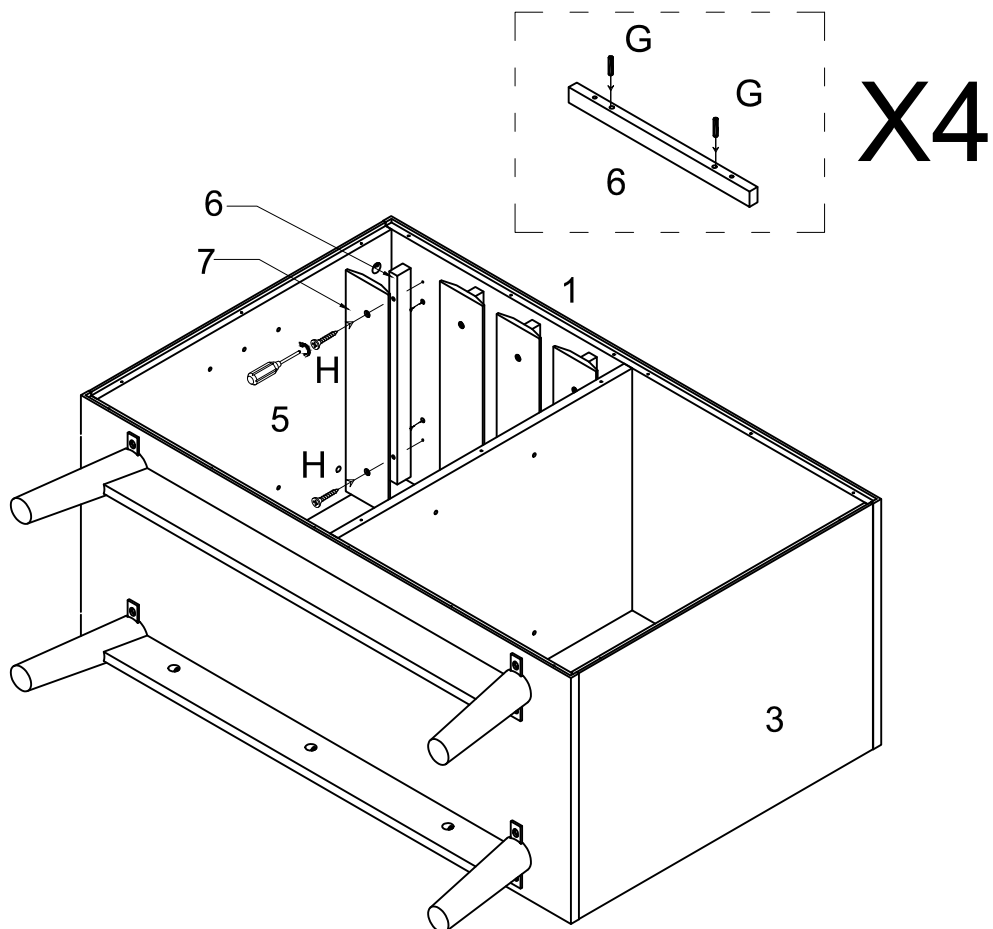


Note: Please don't over-tighten the cam lock, otherwise, it will be broken.

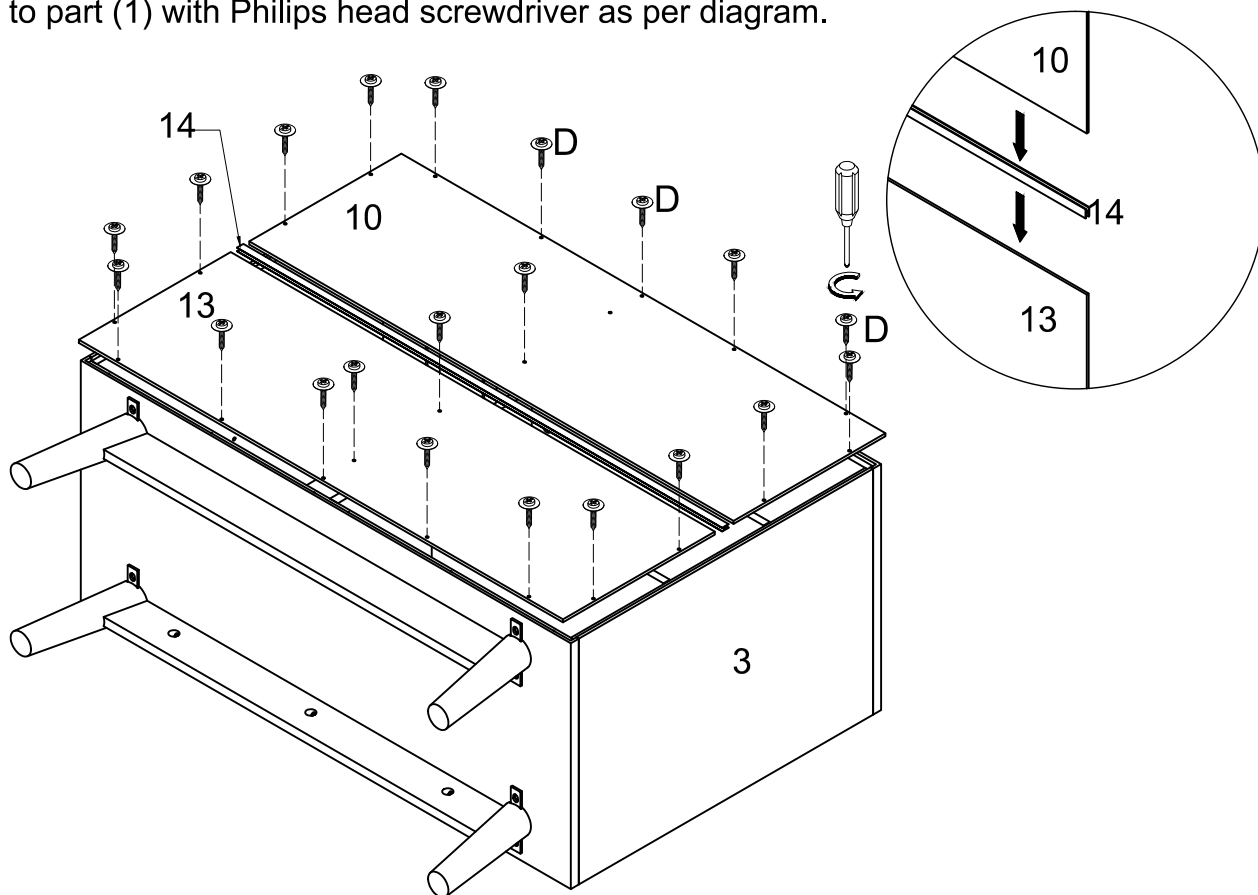


Using cam lock (C) secure parts (2) with Philips head screwdriver as per diagram.

# Step 6

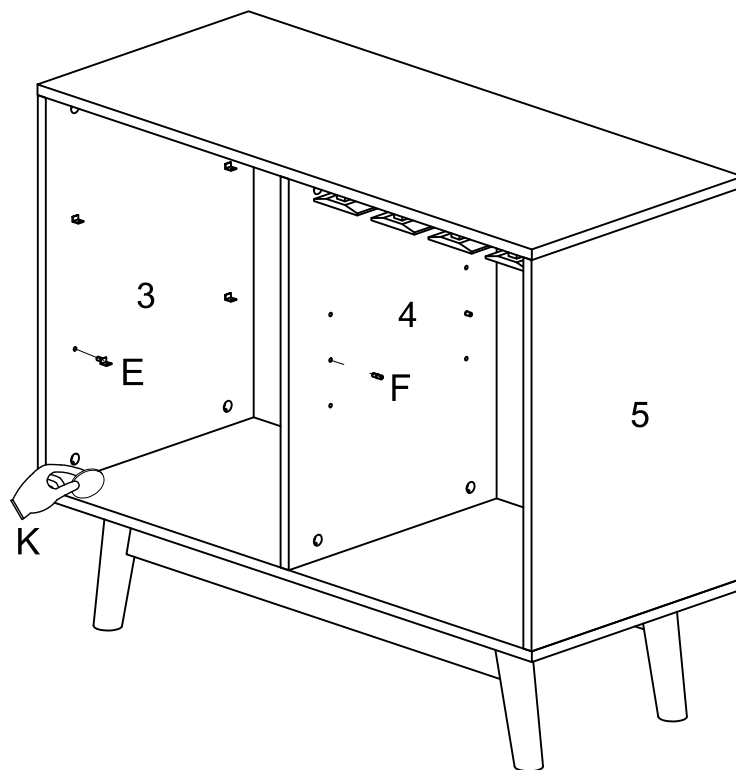


Insert wooden dowel (G) into part (6), then use screw (H) attach part (7) into part (6) to part (1) with Philips head screwdriver as per diagram.



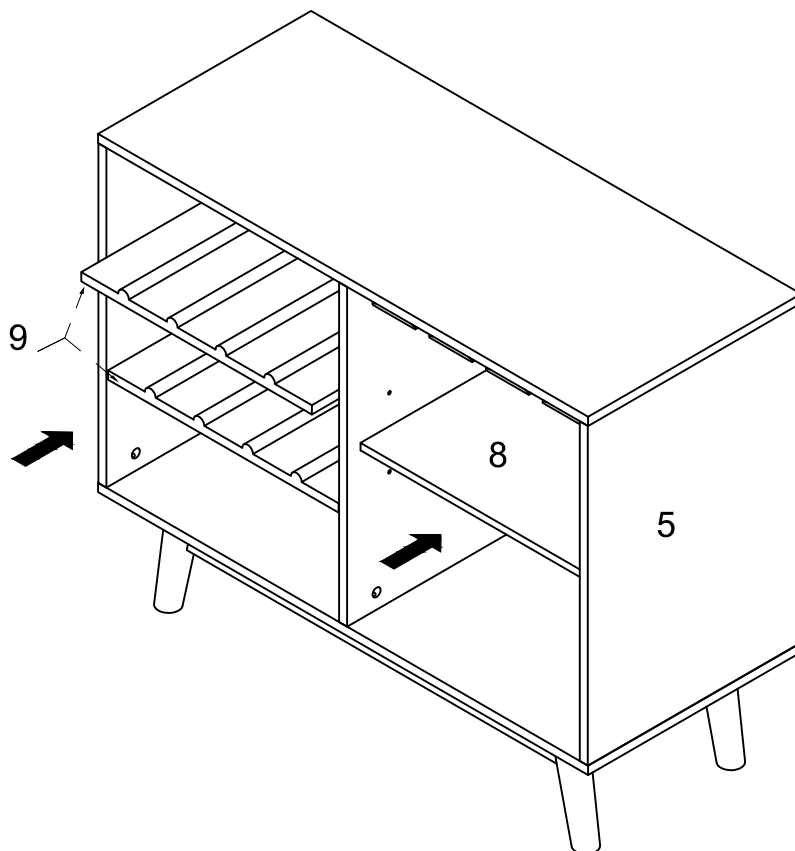
Secure screw (D) into part (10,13) with Philips head screwdriver as per diagram.

## Step 7



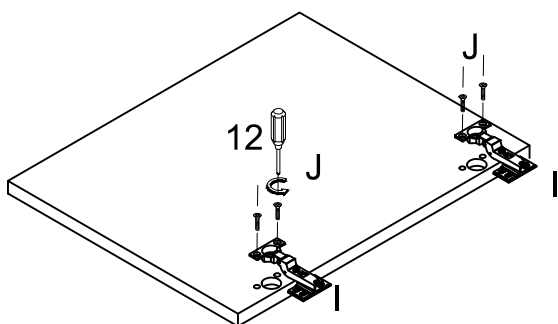
Place sticker (K) cover the holes.

Insert shelf support pin (E) into parts (3,4). Insert shelf support pin (F) into parts (4,5) at desired shelf heights. Make sure you place the four shelf support pins (E/F) in the same level.

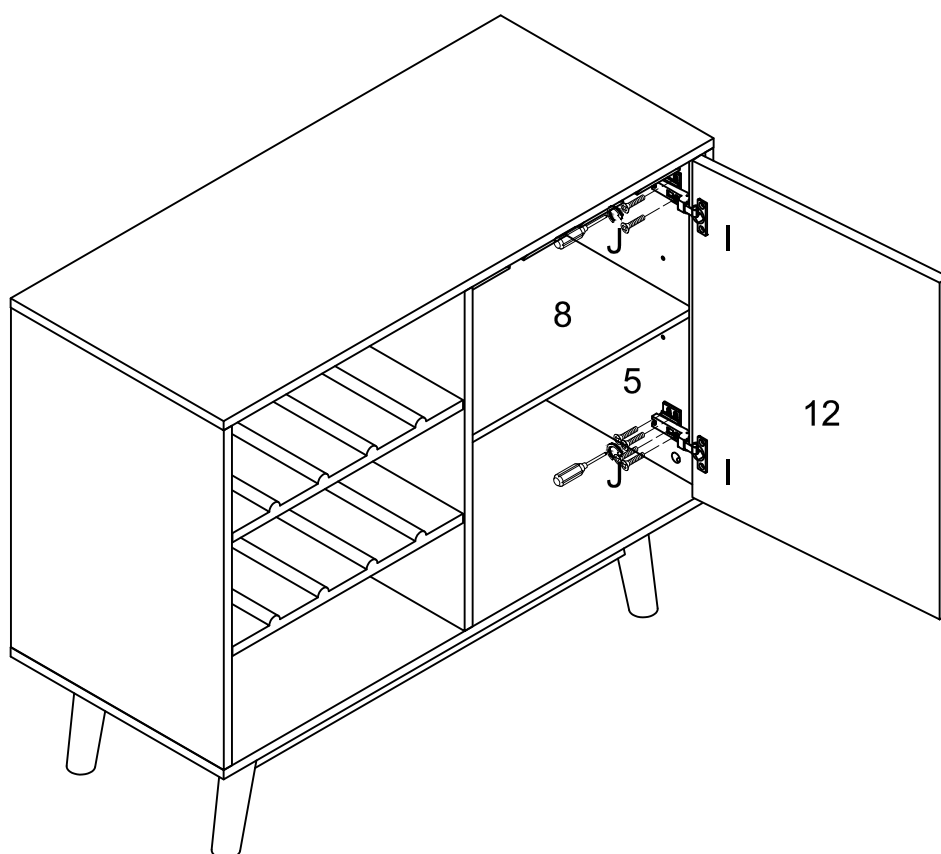


Put part (9) and (8) into unit as per diagram.

## Step 8

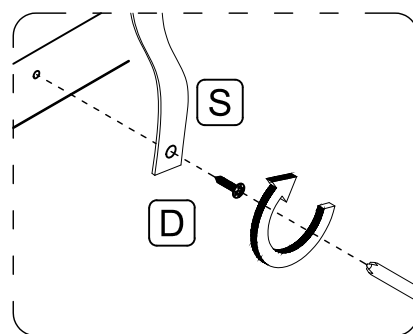
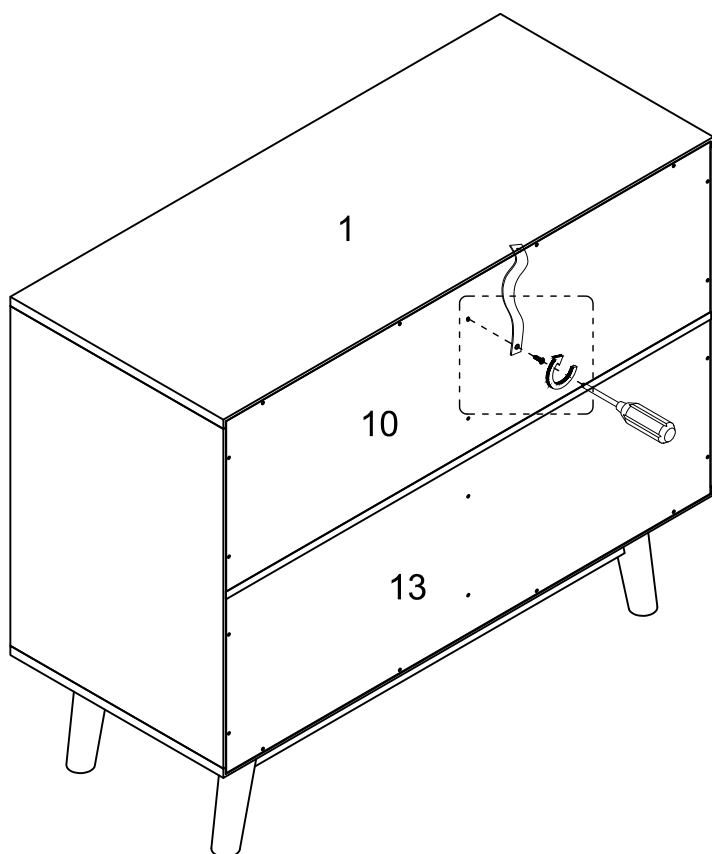


Using screw (J) attach hinge (I) into part (12) with Philips head screwdriver as per diagram.



Using screw (J) attach hinge (I) into part (5) with Philips head screwdriver as per diagram.

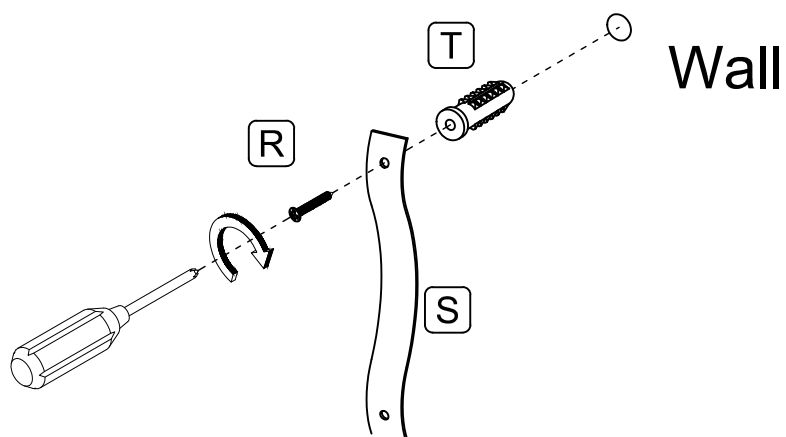
## Step 9



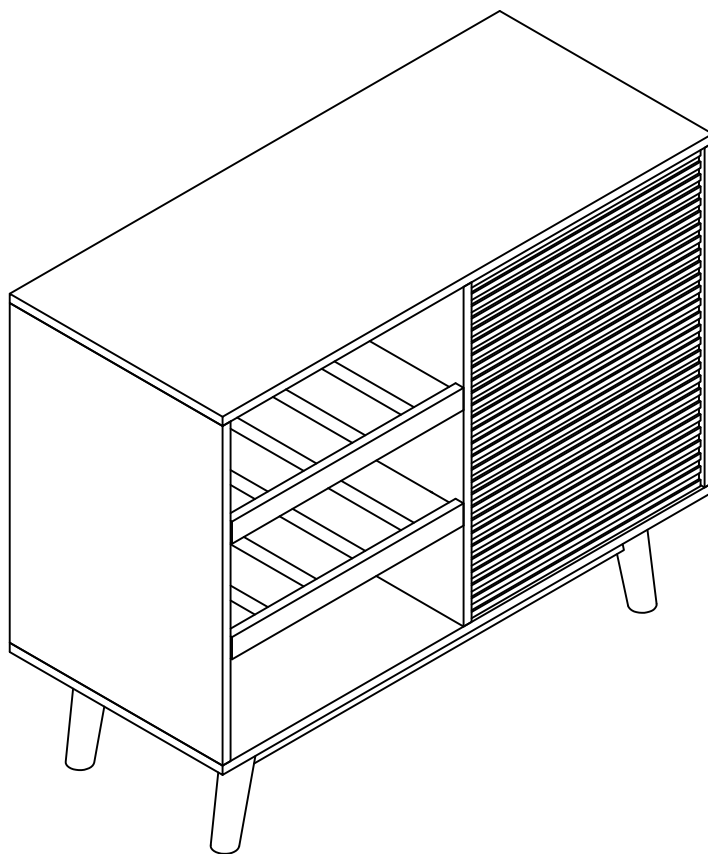
Using screw (D) attach strap (S) to part (10), then using screw (R) attach strap (S) into nut (T) to wall with Philips head screwdriver as per diagram.

## WARNING

Serious or fatal injuries can occur from furniture tipping over. To prevent the furniture from tipping over we recommend that it is permanently fixed to the wall. Wall anchor and hardware are included with this product. Please make sure hardware is suitable for your walls before installing, as different wall materials may require different types of anchors.



# Step 10



Final Assembly