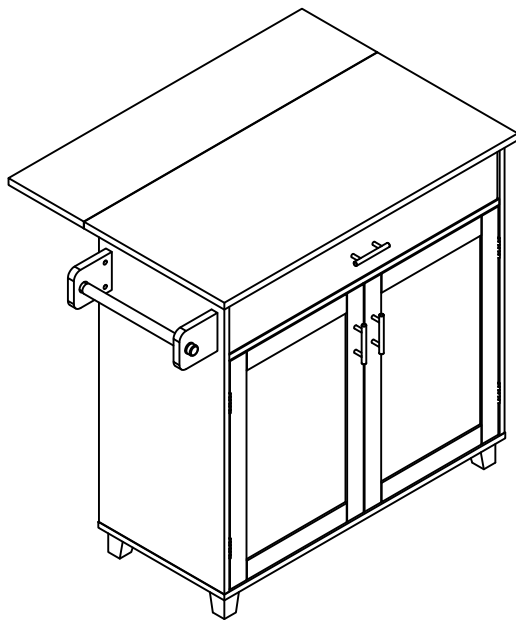


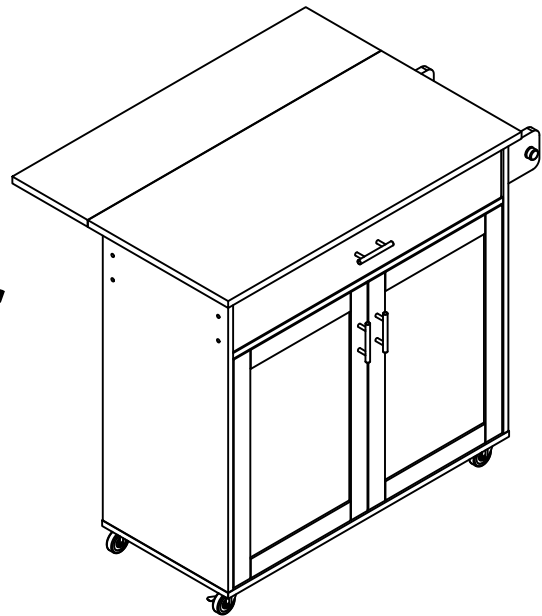
Kitchen Island Carts

Assembly Instructions - Please keep for future reference

WF316601



or



Dimensions

Width-35 inch

Depth-25.75 inch

Height-34 inch

Important – Please read these instructions fully before starting assembly



Safety and Care Advice

Important – Please read these instructions fully before starting assembly

- Check you have all the components and tools listed on the following pages.
- Remove all fittings from the plastic bags and separate them into their groups.
- Keep children and animals away from the work area, small parts could choke if swallowed.
- Make sure you have enough space to layout the parts before starting.

- During assembly do not stand or put weight on the product, this could cause damage.
- Assemble the item as close to its final position (in the same room) as possible.
- Assemble on a soft level surface to avoid damaging the unit or your floor.
- Parts of the assembly will be easier with 2 people.



power drill is set on a low torque setting.

- To reduce the likelihood of damaging your product please ensure that your

Care and maintenance

- Only clean using a damp cloth and mild detergent, do not use bleach or abrasive cleaners.

- From time to time check that there are no loose screws on this unit.

- This product should not be discarded with household waste. Take to your local authority waste disposal centre.

Handy Hints

- Assemble all parts and bolts loosely during assembly, only once the product is complete should you fully tighten the bolts

- Regularly check and ensure That all bolts and fittings are tightend properly.

WARNING

In order to help prevent overturning – please follow these instructions

To help prevent product toppling over please follow the below steps:-

- Use the anti tip stap or wall fixing method provided (if applicable)
- Do not allow children to climb or hang on the furniture
- Do not open more than one drawer at a time
- Do not place heavy items in the top drawers
- Do not place heavy items on top of the furniture, unless the furniture has been designed for this purpose


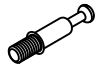



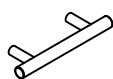

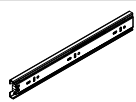
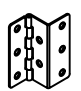

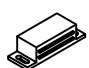











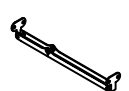

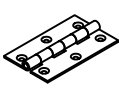

Please note that only the anti tip strap is provided.

You will need to provide wall plugs and screws applicable for your wall type

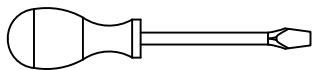
Components - Fittings

Please check you have all the panels listed below

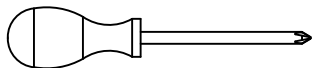
Note: The quantities below are the correct amount to complete the assembly. In some cases more fittings may be supplied than are required.

A  Ø6*30mm Dowel x42	B  Cam Bolt x36	C  Cam Lock x36	D  Hole to Stick x4
E  4*35mm Screw x16	F  Handle x3	G  4*25mm Bolt x6	H  Drawer Slide 14" x2
I  Door Hinge x4	J  3.0*12mm Screw x38	K  Door Catch x2	L  3.0*16mm Screw x4
M  Shelf Support Pin x12	N  6*60mm Bolt x4	O  6*45mm Bolt x4	P  6*12mm Bolt x16
Q  Flat Washer x4	R  Lock Washer x4	S  Allen Key x1	T  Vertical nut x4
U  Locking Caster x2	V  Caster x2	W  Support Hinges x1	X  4*15mm Screw x4
Y  Butt Hinge x3	Z  4*15mm Screw x18		

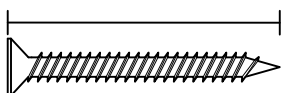
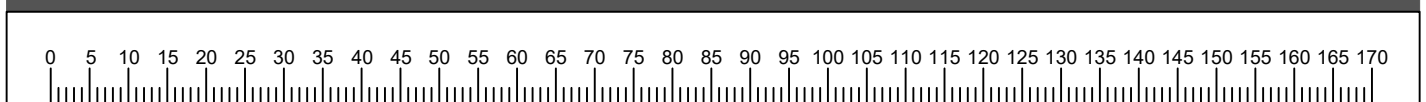
Tools required



Phillips screwdriver
(medium & large)



Ruler - Use this ruler to help correctly identify the screws



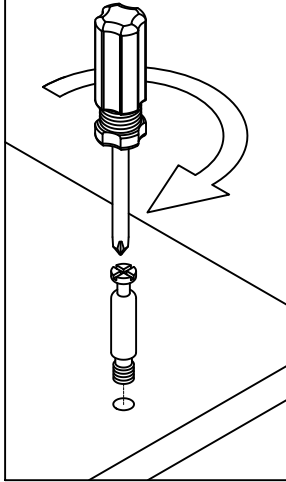
The screws length is measured from the head to the point (35mm screw shown).

Using Camlocks

Step 1

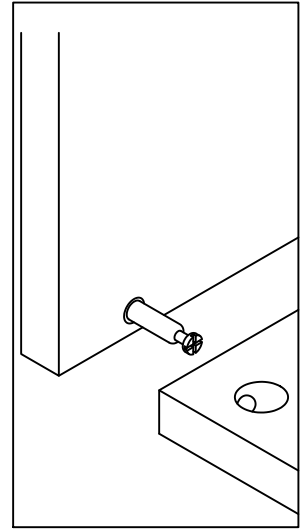
Connect the male camlock as directed in the assembly instructions using a screwdriver.

DO NOT OVER TIGHTEN.
NE PAS SERRER EXCESSIVEMENT.



Step 2

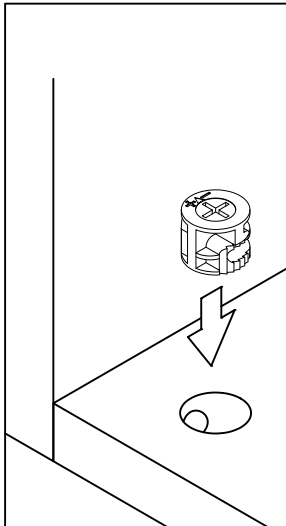
Push the male camlock into the entry hole.



Step 3

Insert the female camlock as shown in the instruction.

Note: ensure that the arrow on the top of the camlock points towards the entry hole for the male camlock.

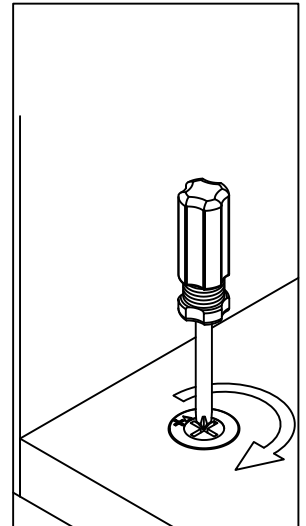


Step 1

Turn the female camlock clockwise with a screwdriver.

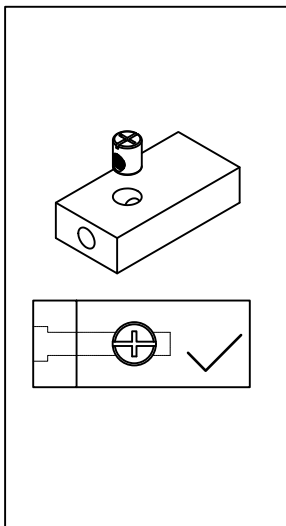
You should feel a click when the camlock is locked in place.

The joint is now secure.

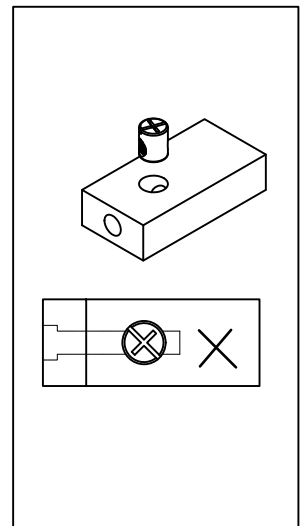


Assembly Instructions for Lateral Nuts

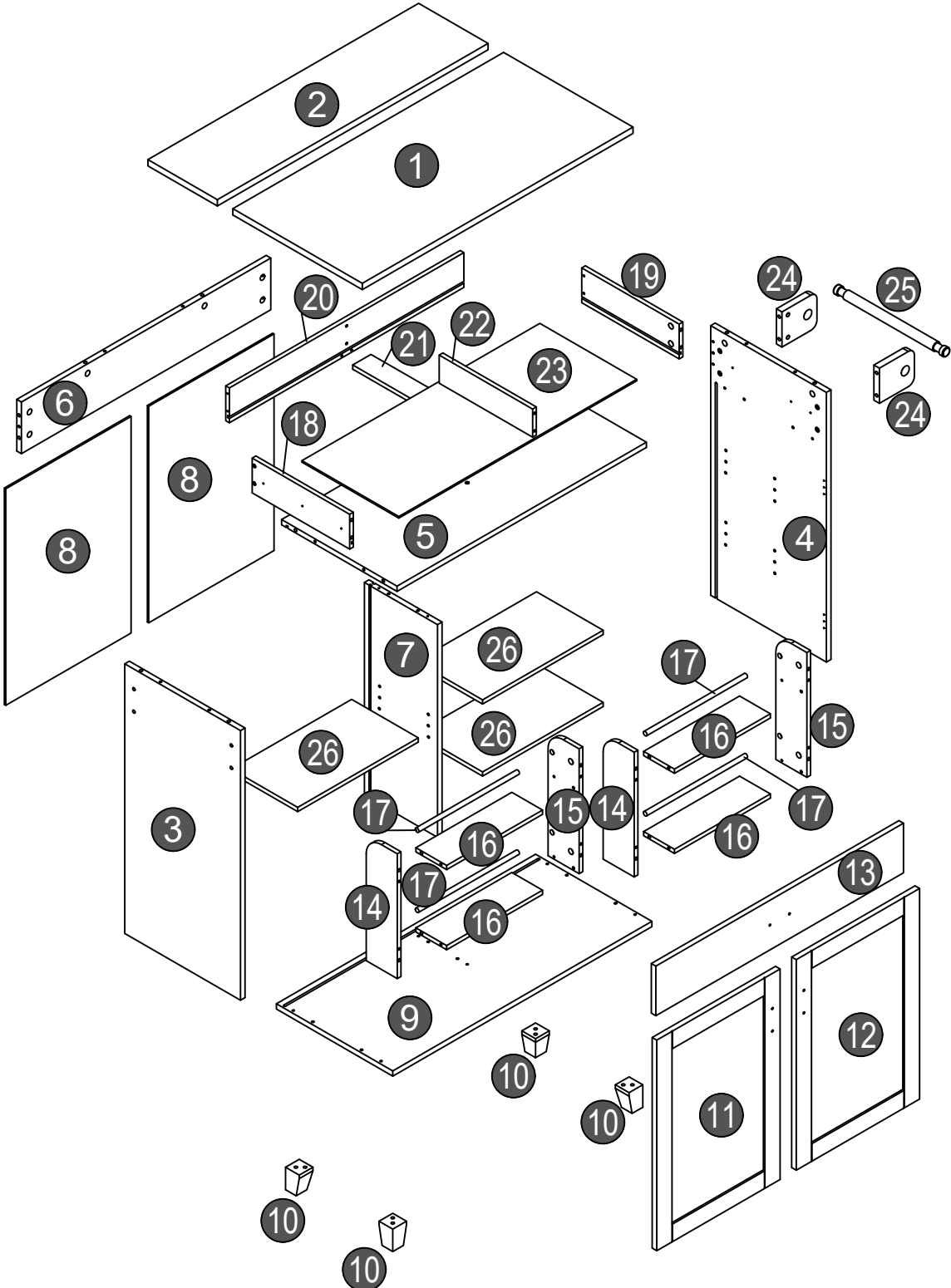
Insert the horizontal nut into the hole, rotate the horizontal threaded hole to align with the end hole of the wooden board, as shown in Figure A



Please ensure that the threaded hole of the horizontal nut is aligned with the horizontal hole at the end of the wooden board, otherwise the screw cannot be installed

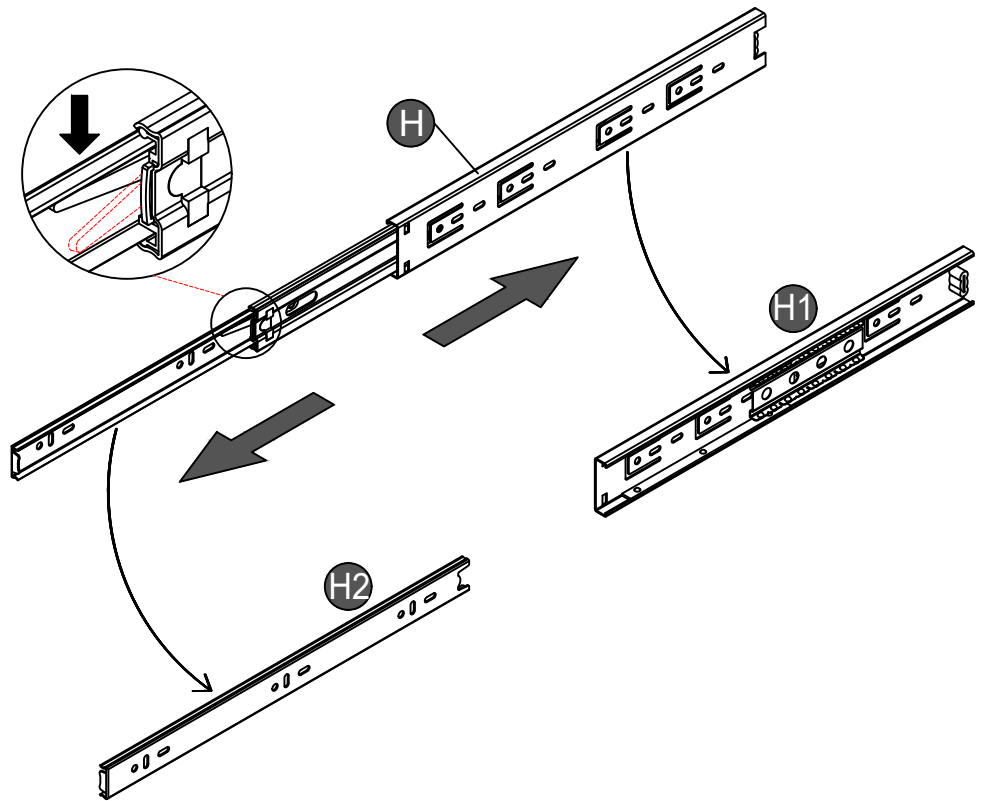


Assembly Instructions

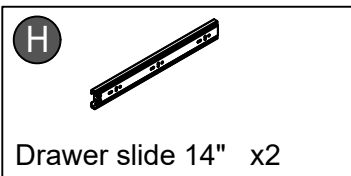


Assembly Instructions

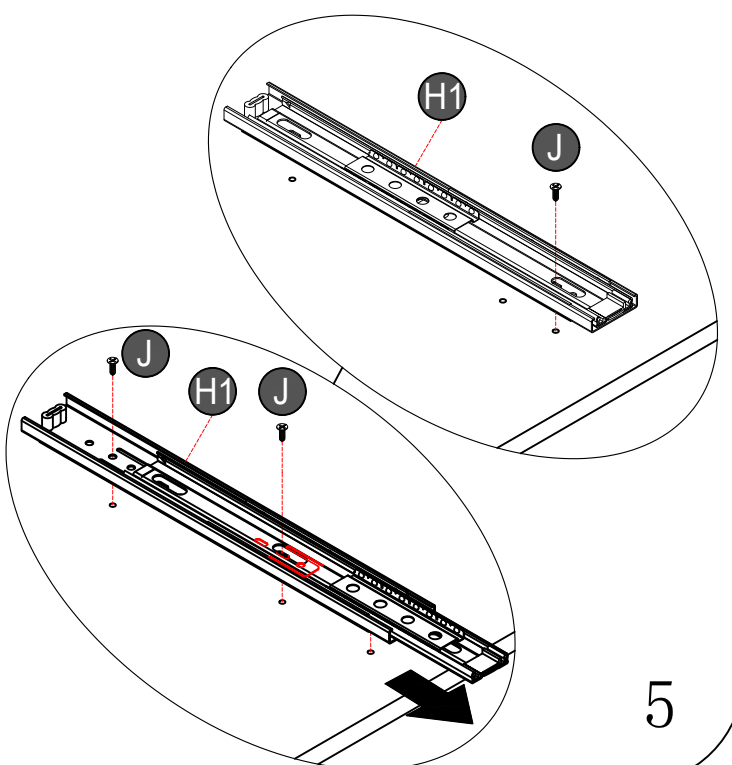
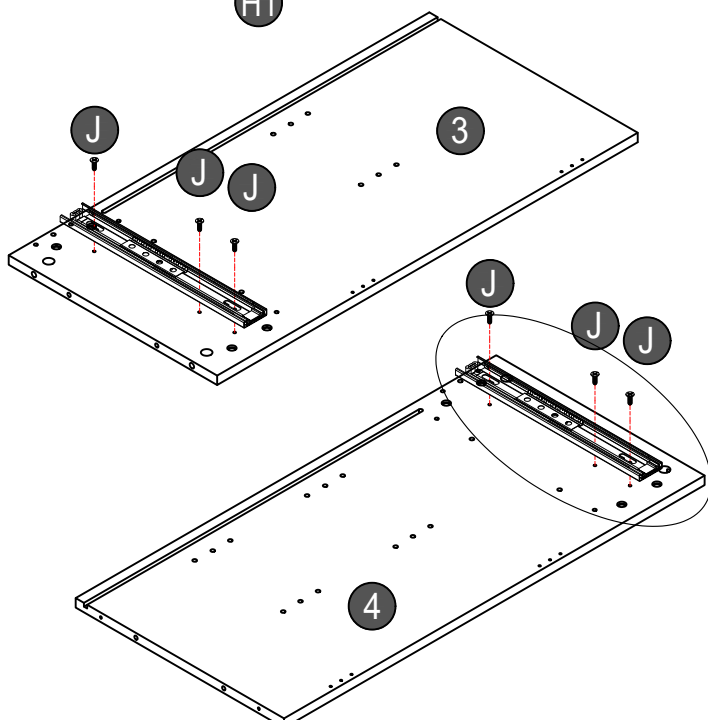
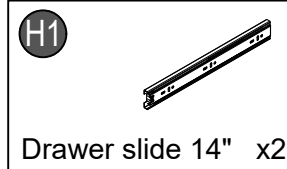
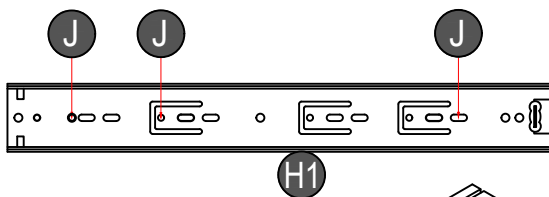
Step 1



Split J into H1 and H2

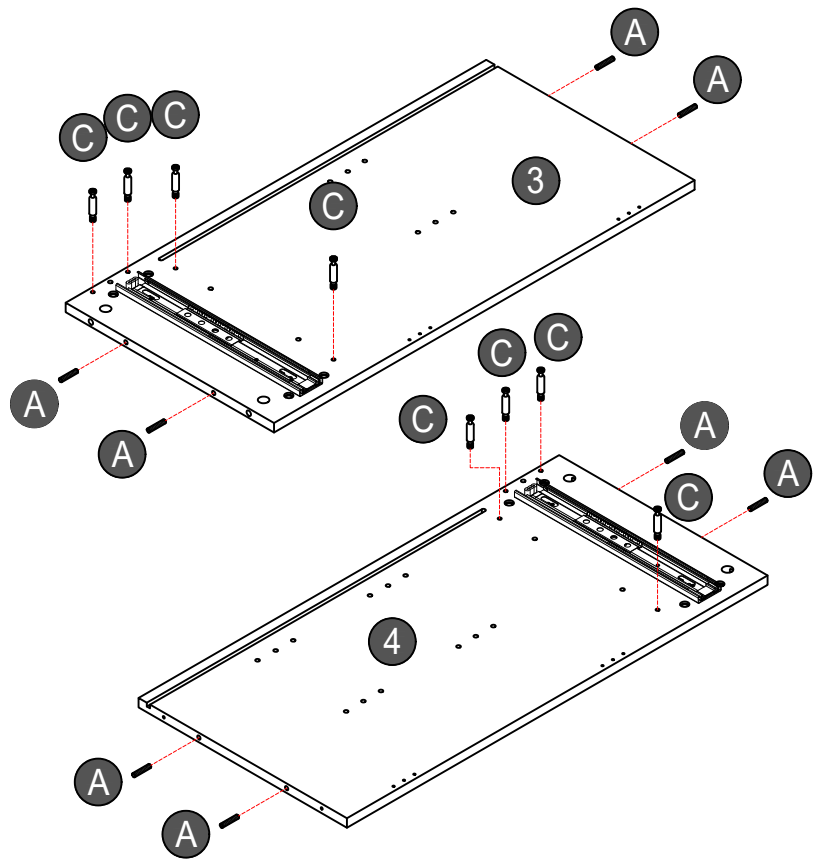
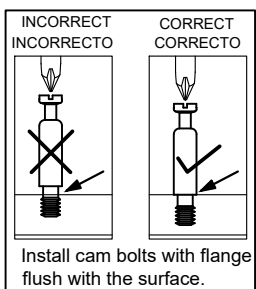
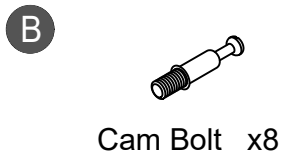
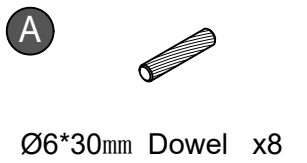


Step 2

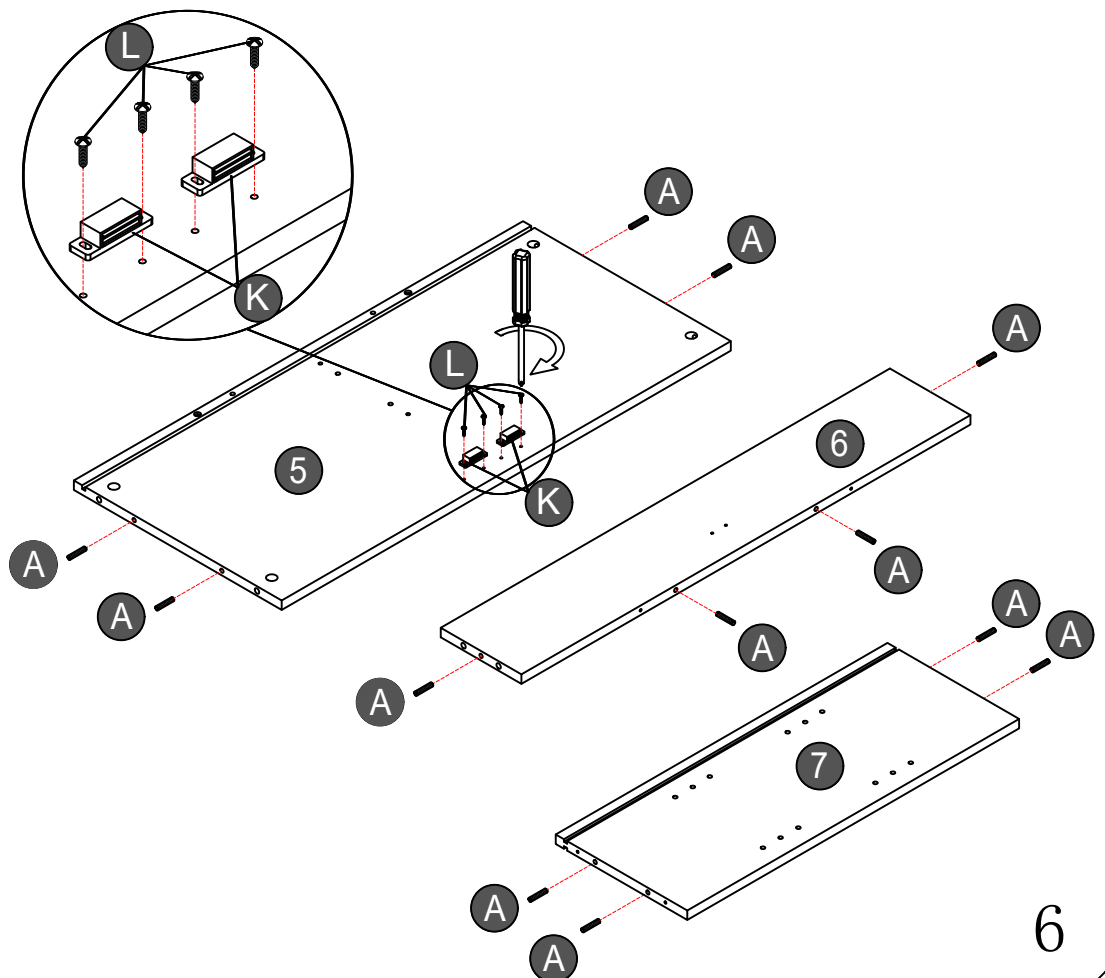
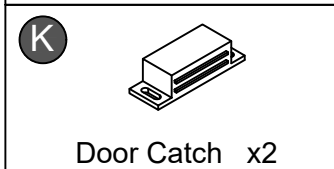
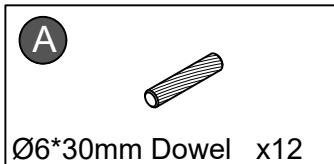


Assembly Instructions

Step 3

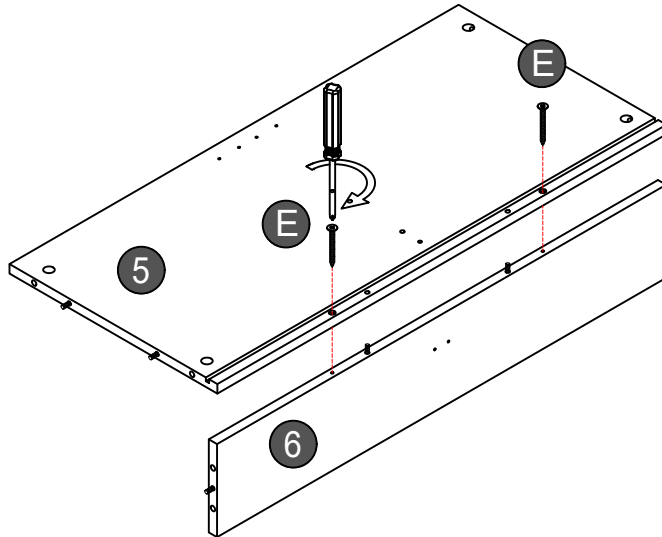
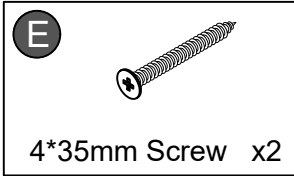


Step 4

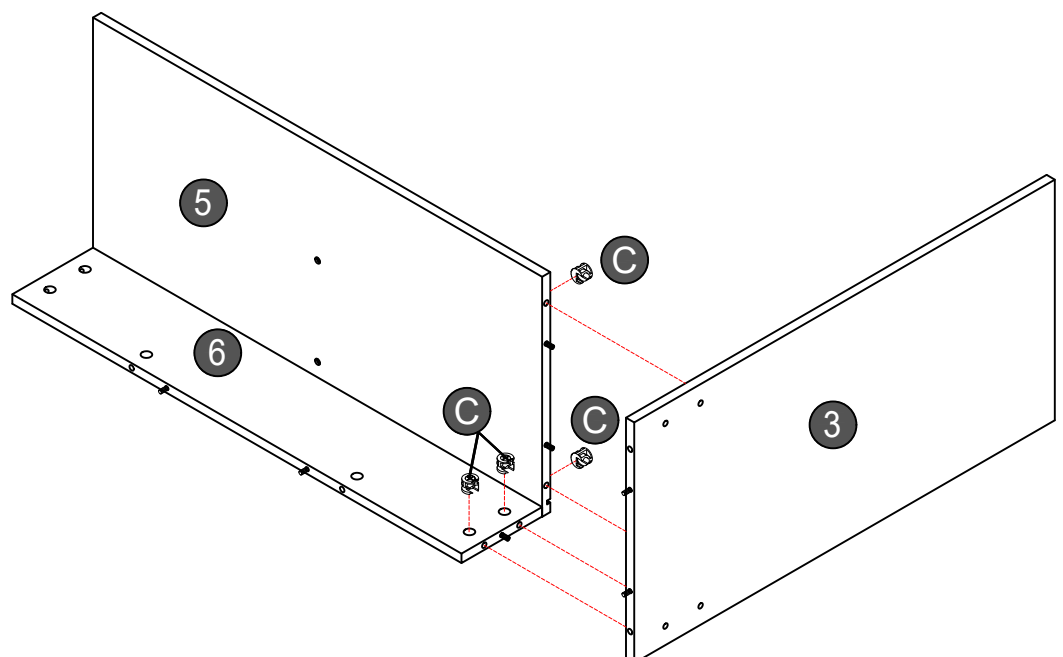
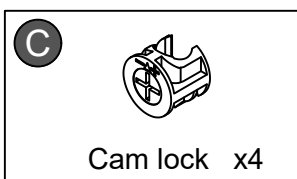


Assembly Instructions

Step 5



Step 6



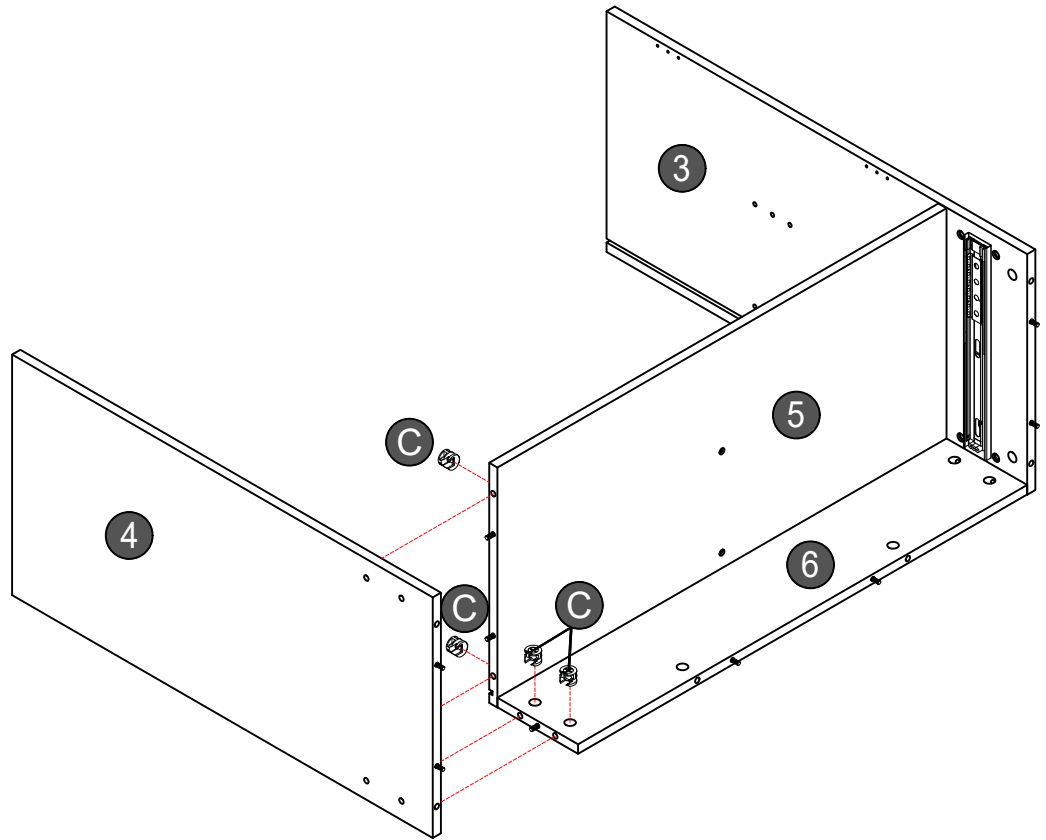
Assembly Instructions

Step 5

C



Cam lock x4

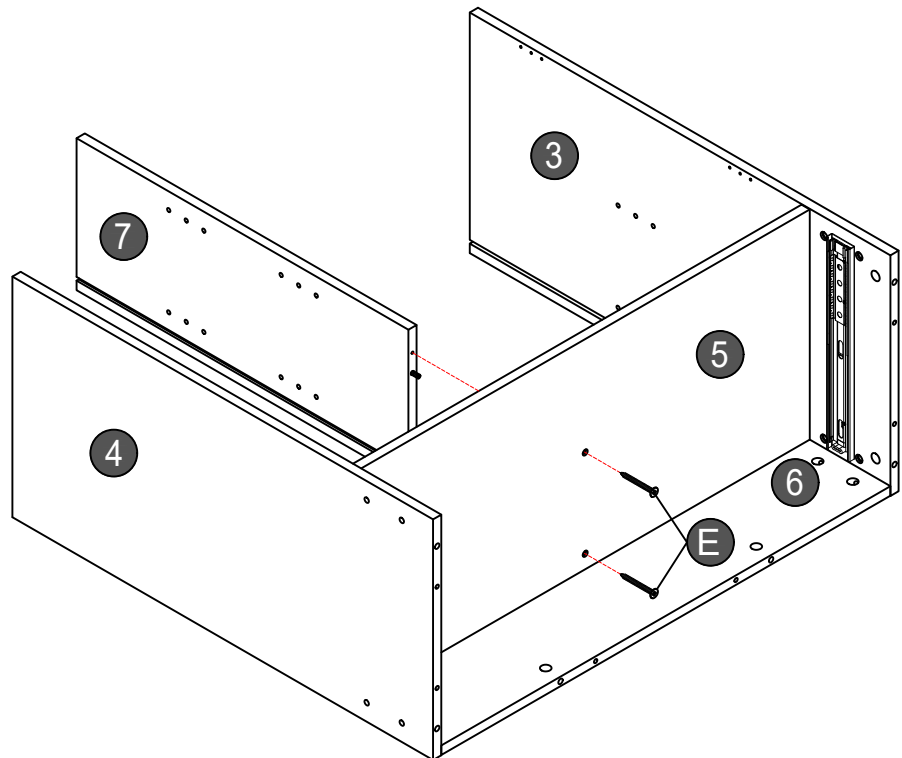


Step 6

E

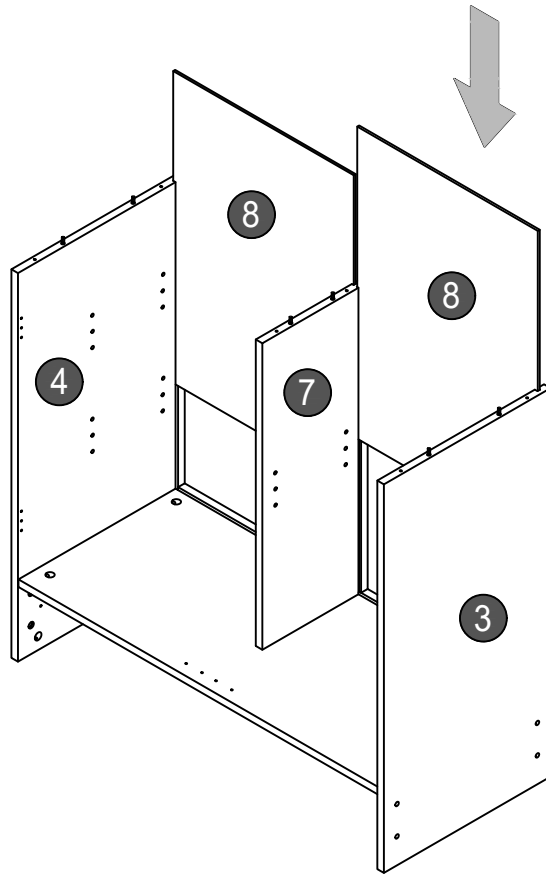


4*35mm Screw x2

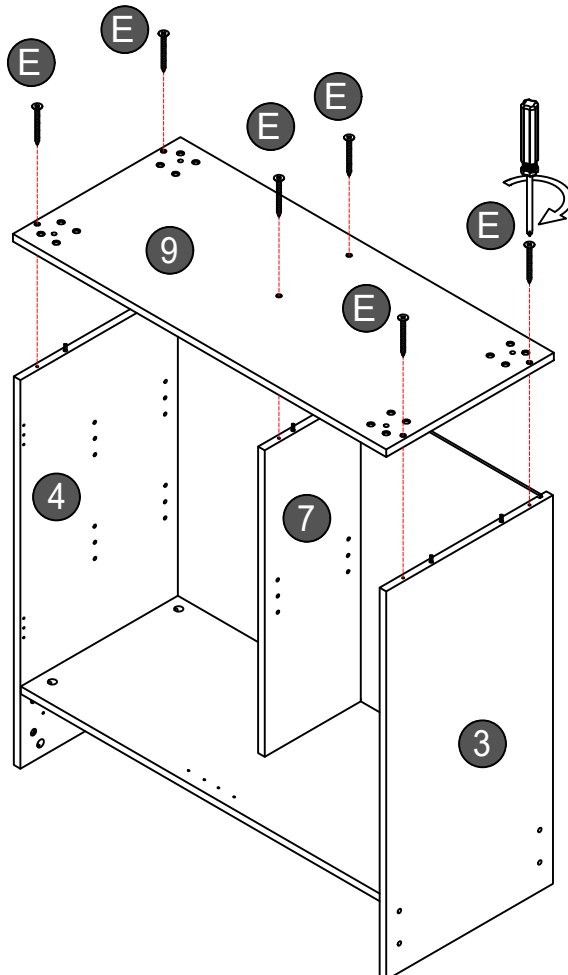
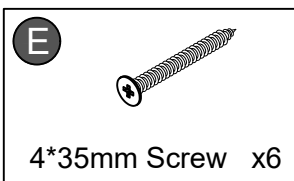


Assembly Instructions

Step 9

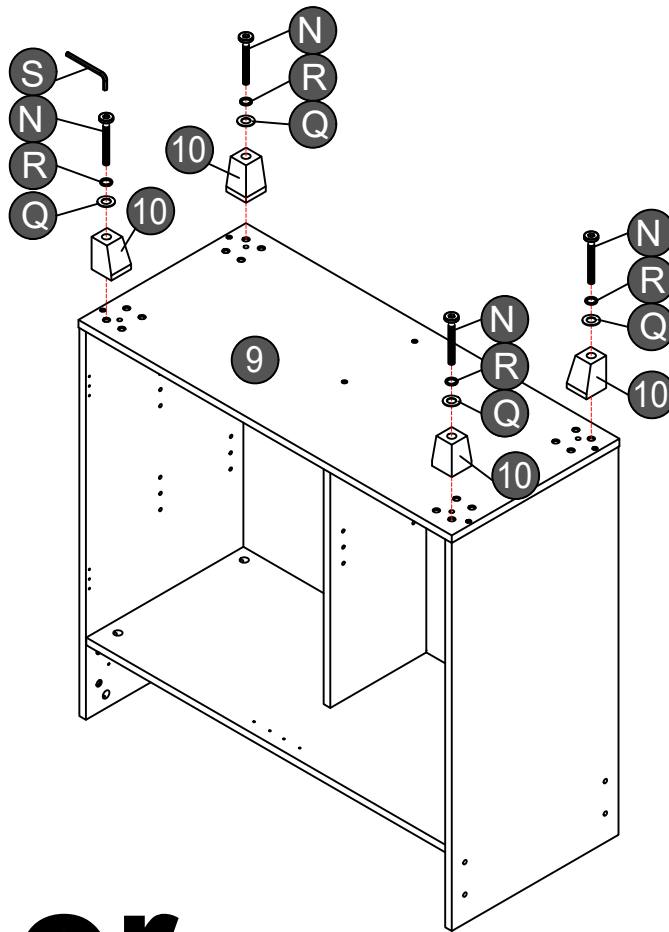
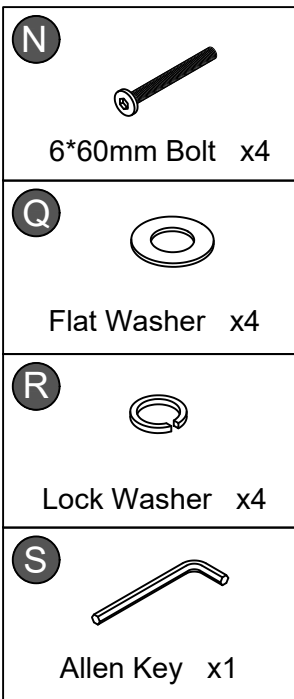


Step 10

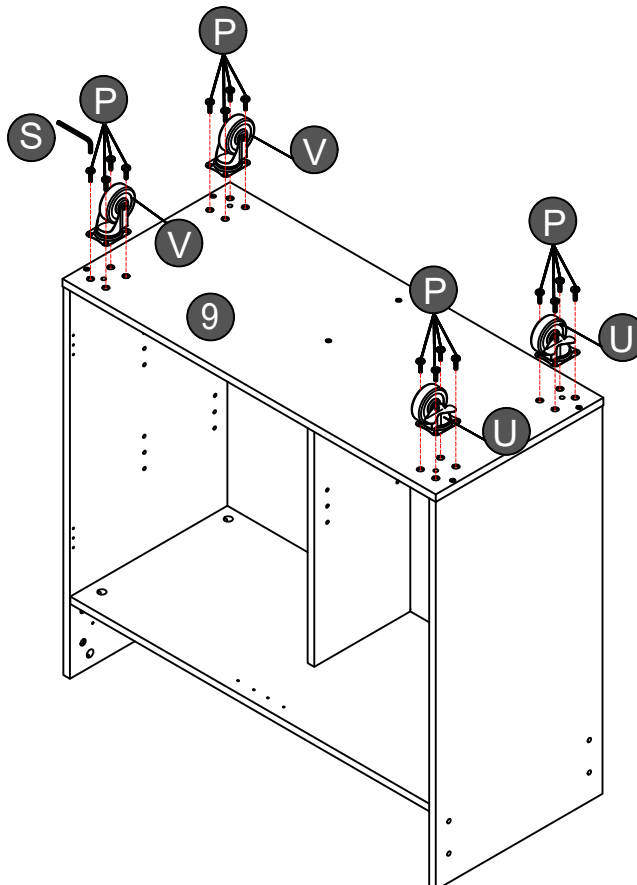
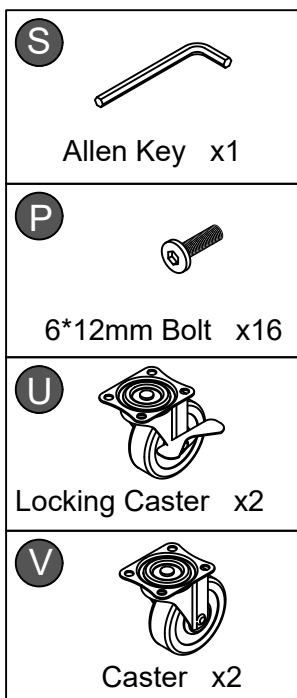


Assembly Instructions

Step 11







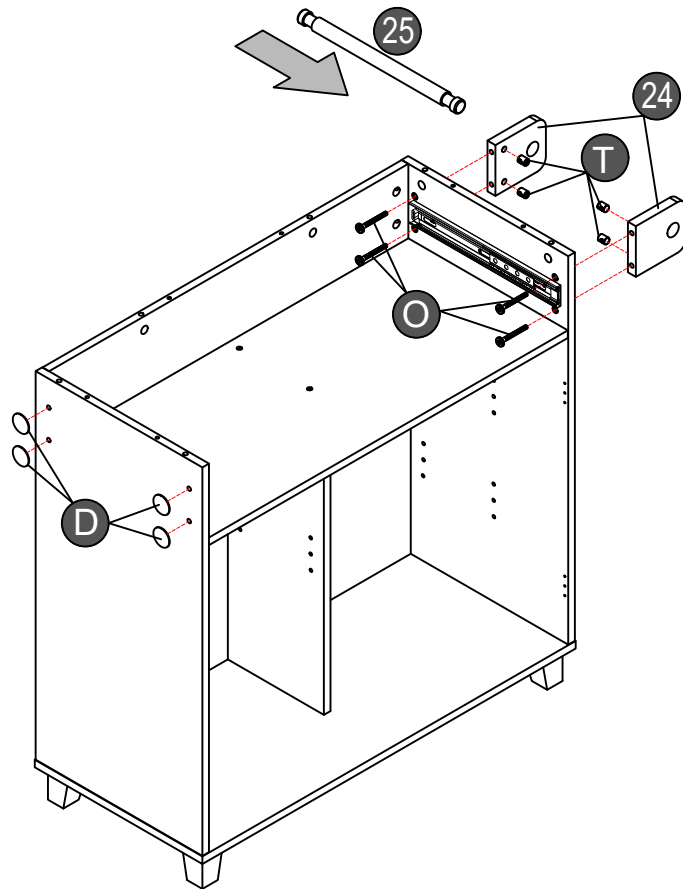
or



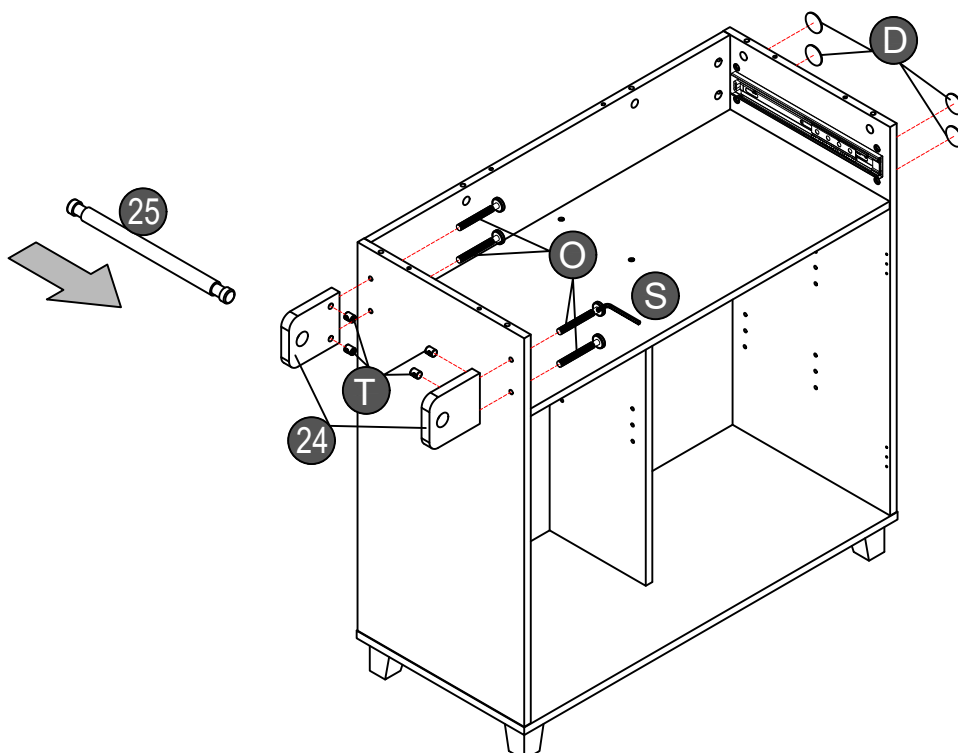
Assembly Instructions

Step 13

S	
Allen Key x1	
O	
6*45mm Bolt x4	
T	
Vertical nut x4	
D	
Hole to Stick x4	

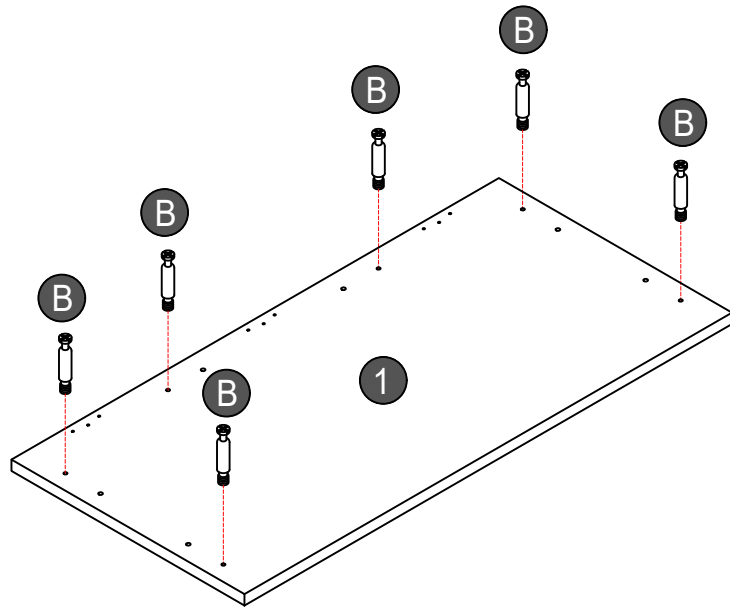
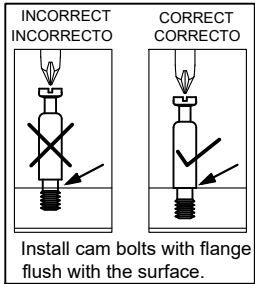
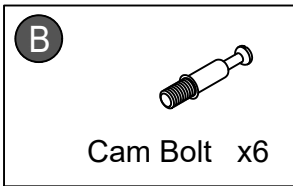


The towel rack can be installed on the left or right side as needed.

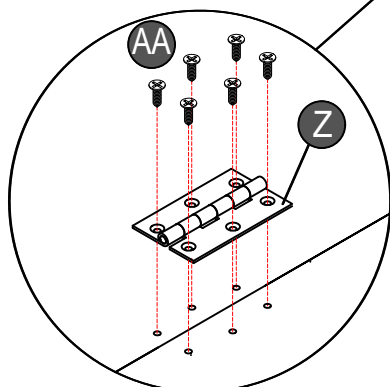
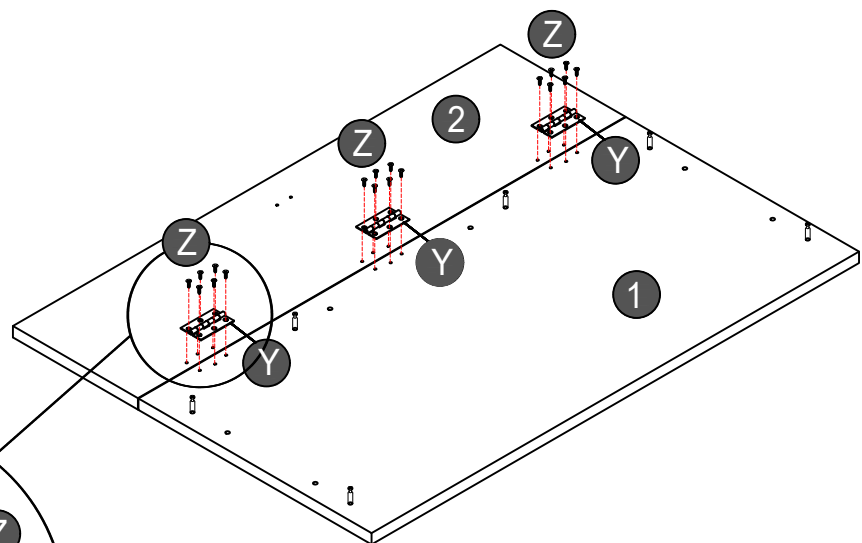
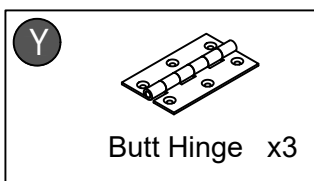


Assembly Instructions

Step 13

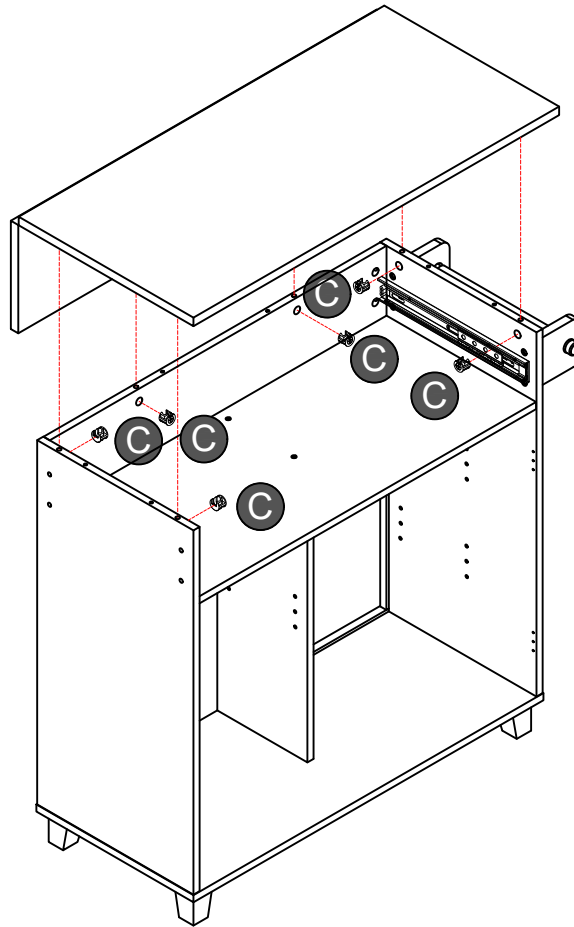
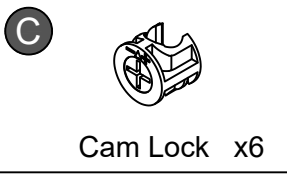


Step 13

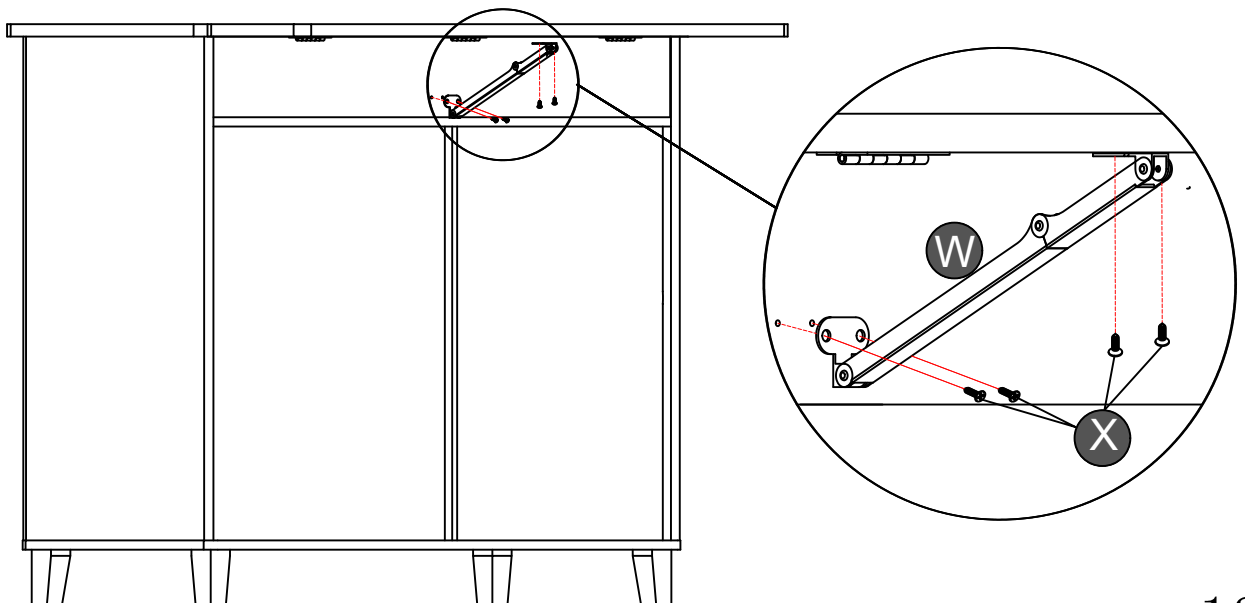
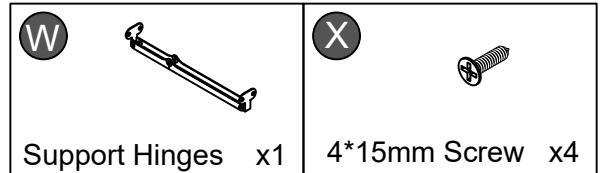


Assembly Instructions

Step 16



Step 17

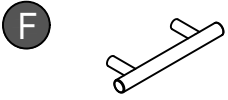


Assembly Instructions

Step 16



Cam Bolt x8



Handle x2



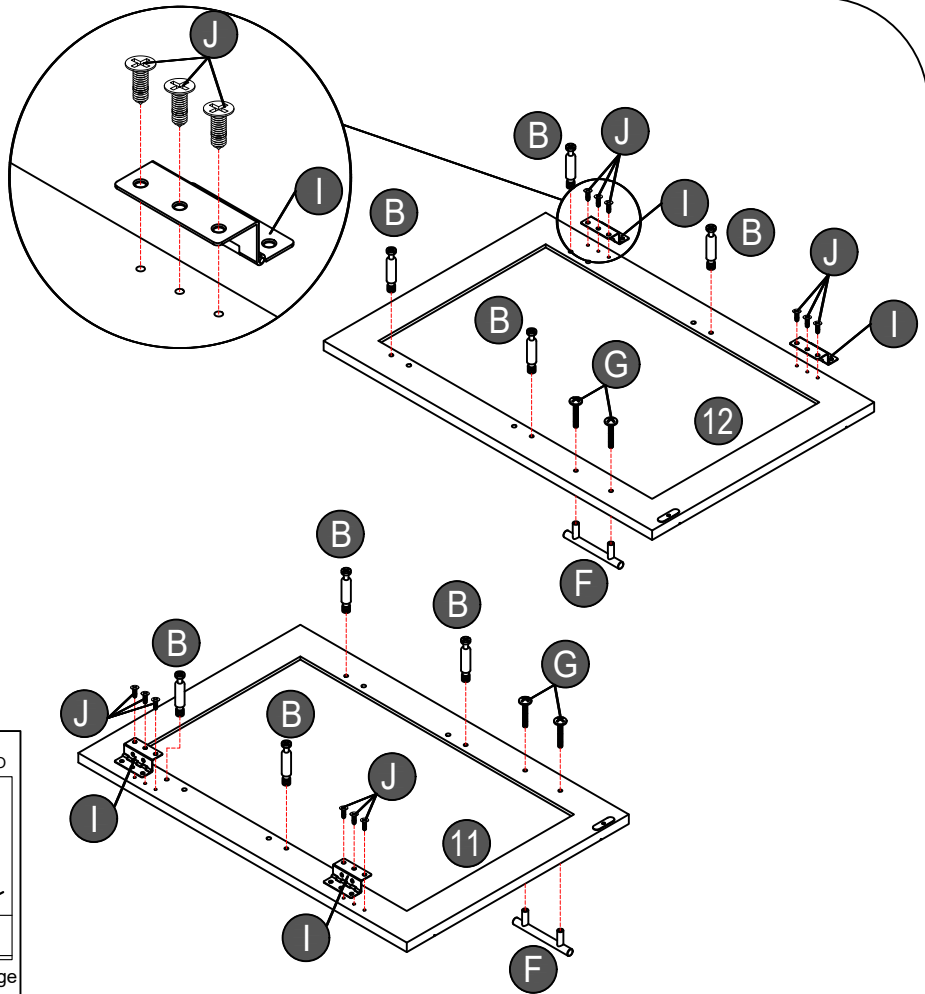
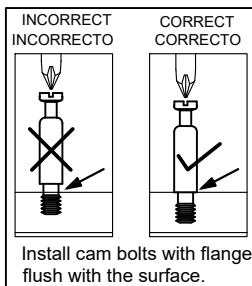
4*25mm Bolt x4



Door Hinge x4



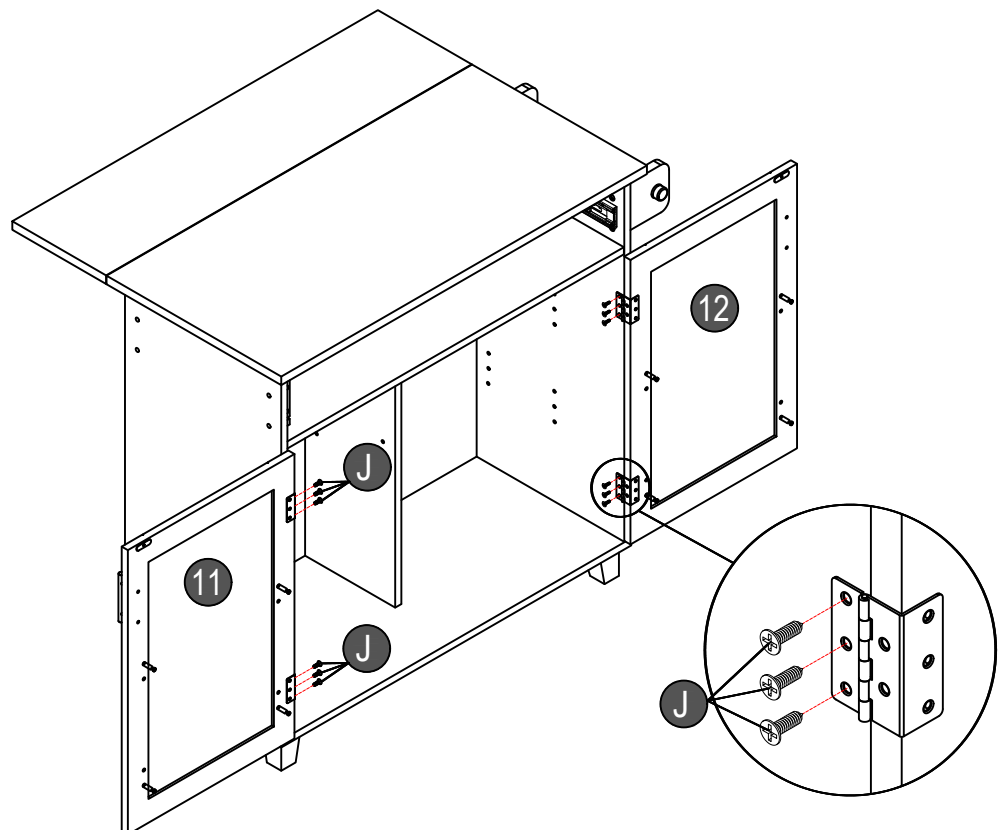
3.0*12mm Screw x12



Step 17



3.0*12mm Screw x12



Assembly Instructions

Step 22

A

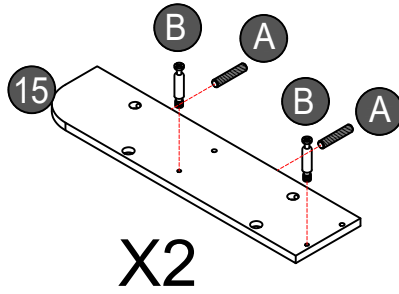


Ø6*30mm Dowel x16

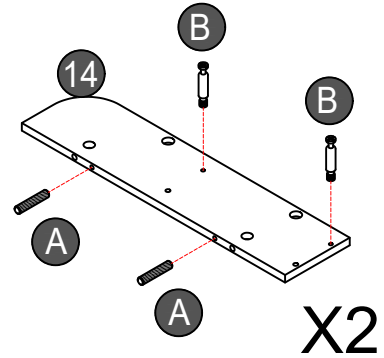
B



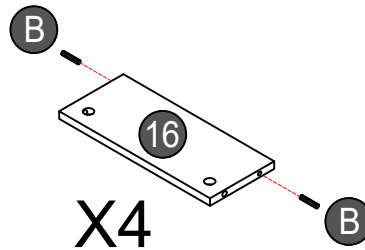
Cam Bolt x8



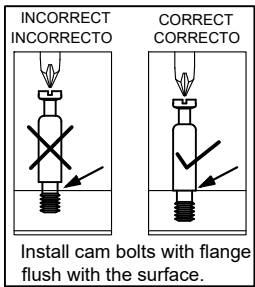
X2



X2



X4

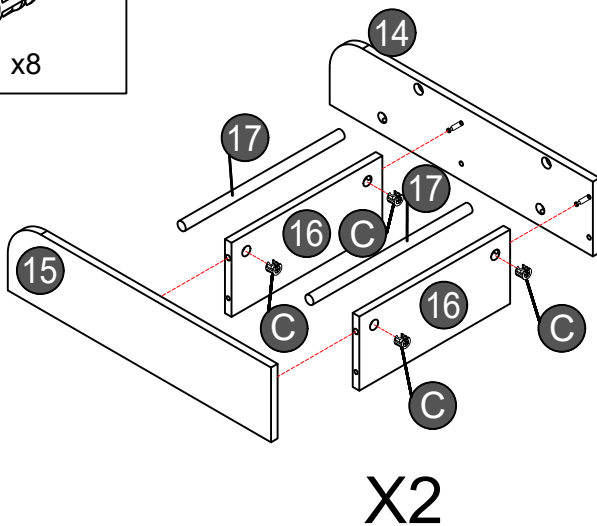


Step 23

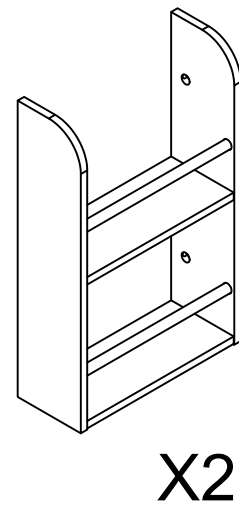
C



Cam lock x8



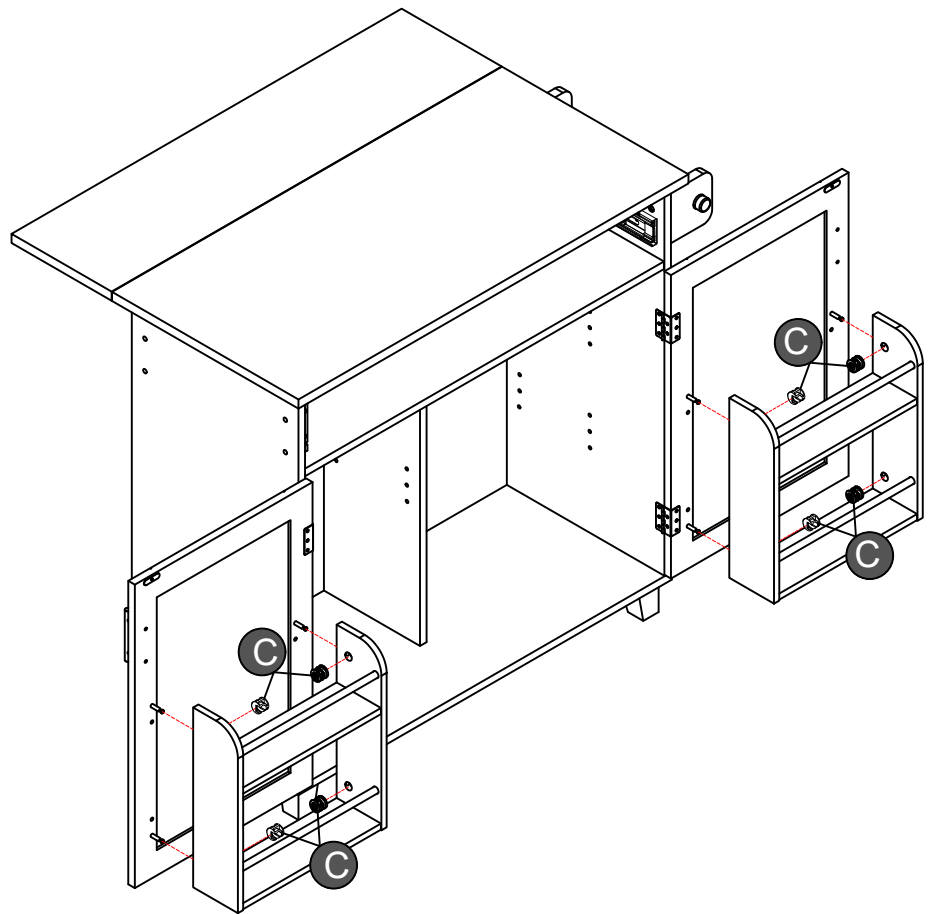
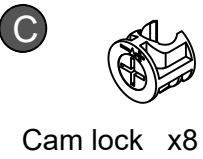
X2



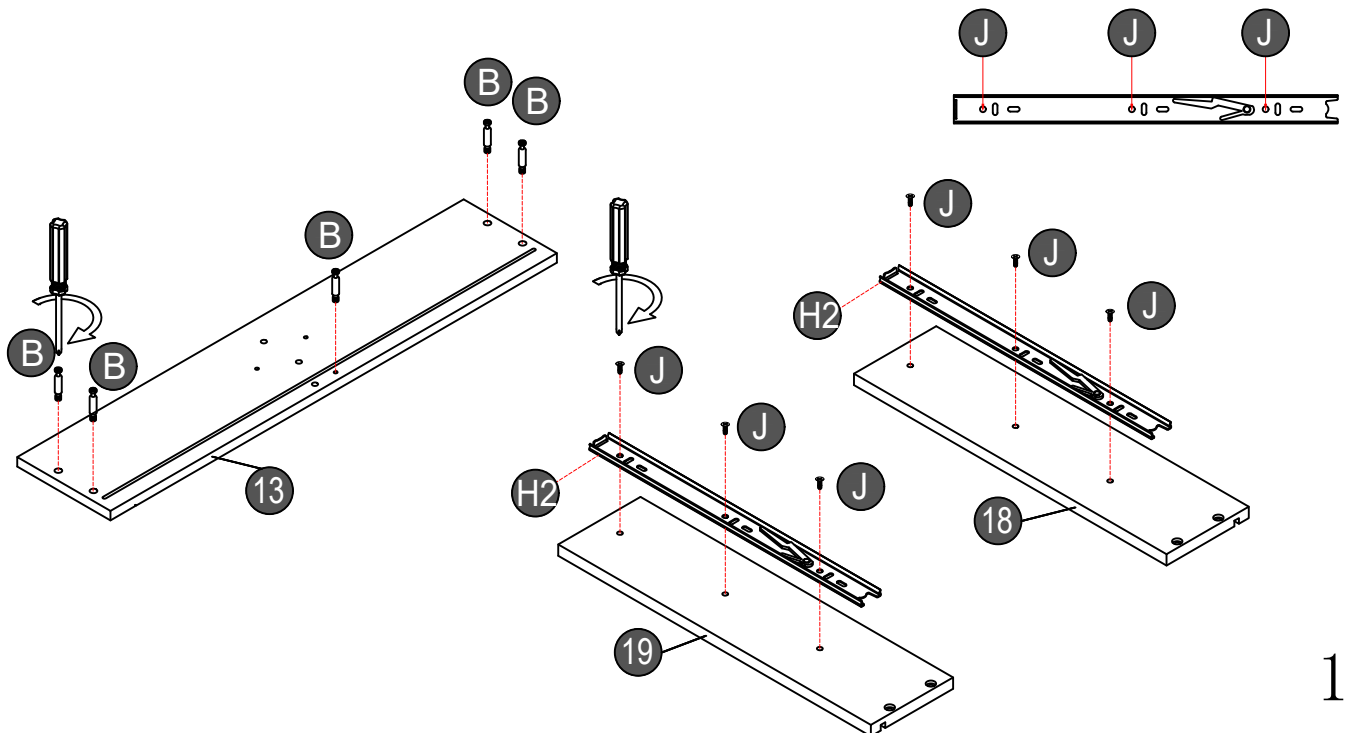
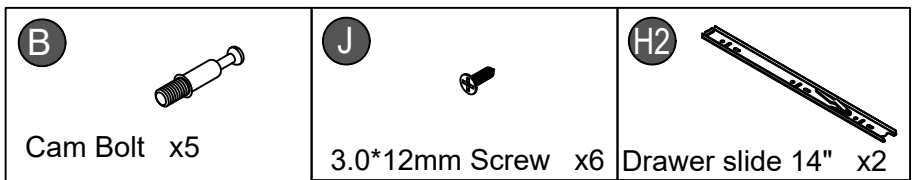
X2

Assembly Instructions

Step 22



Step 23



Assembly Instructions

Step 24

A

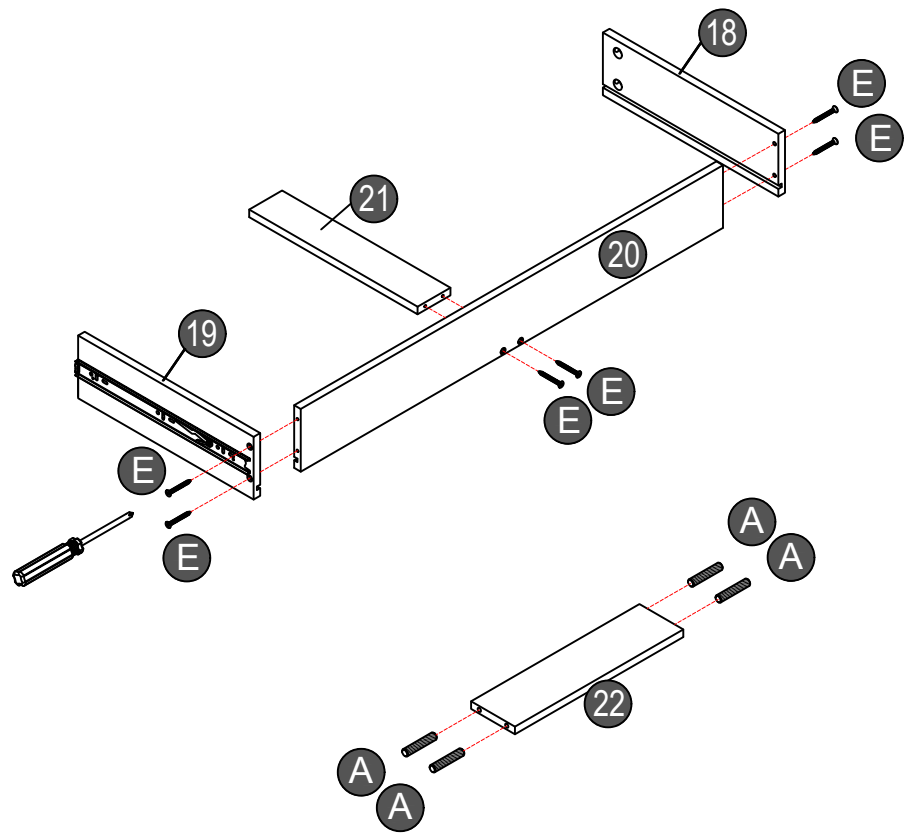


Ø6*30mm Dowel x4

E



4*35mm Screw x6



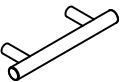
Step 25

C



Cam lock x5

F

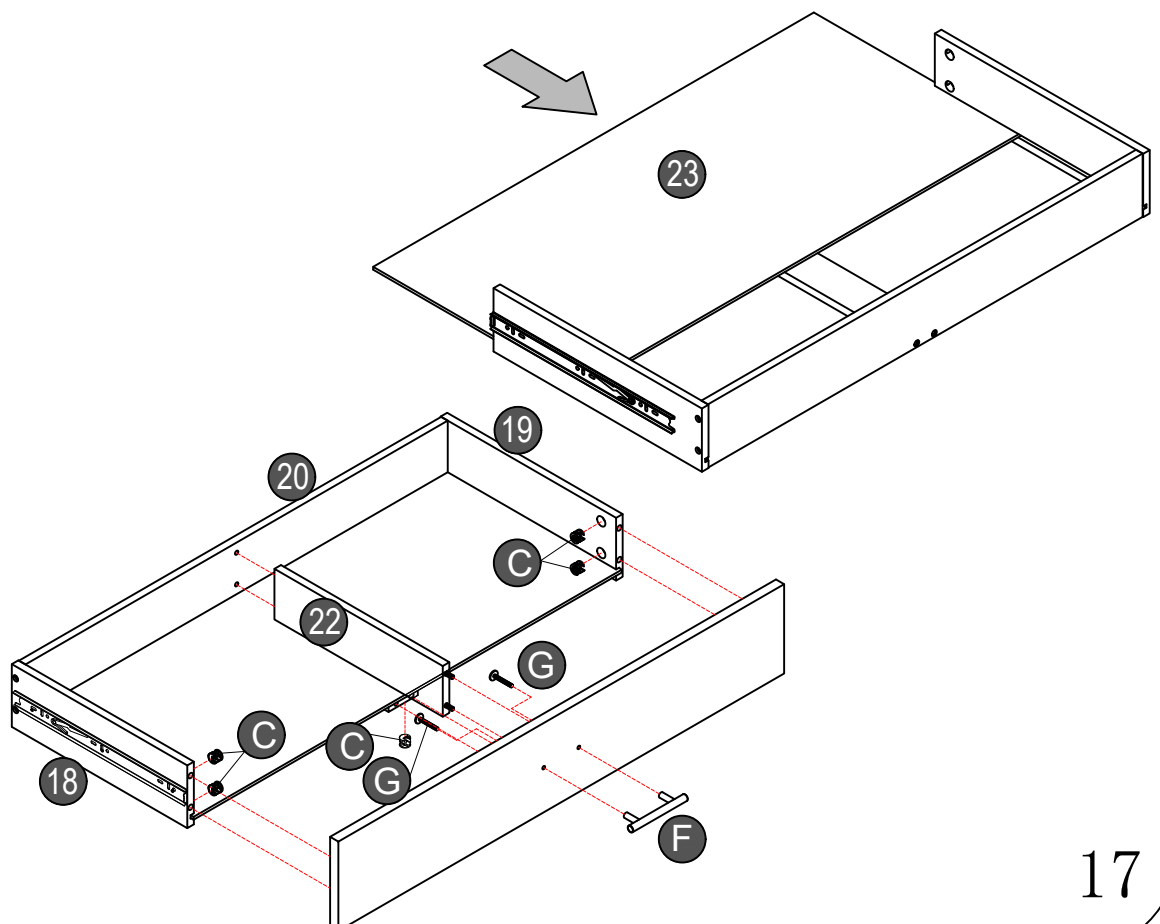


Handle x1

G

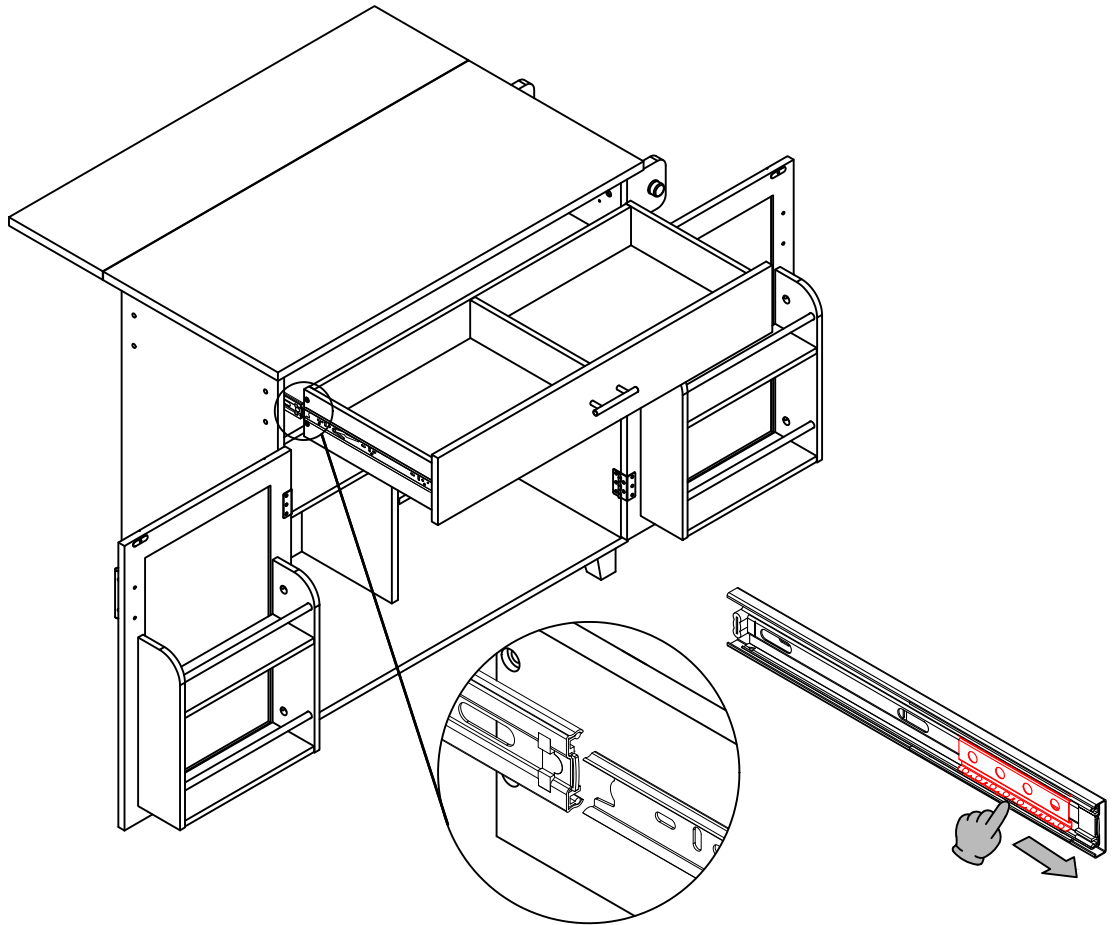


4*25mm Bolt x2



Assembly Instructions

Step 26

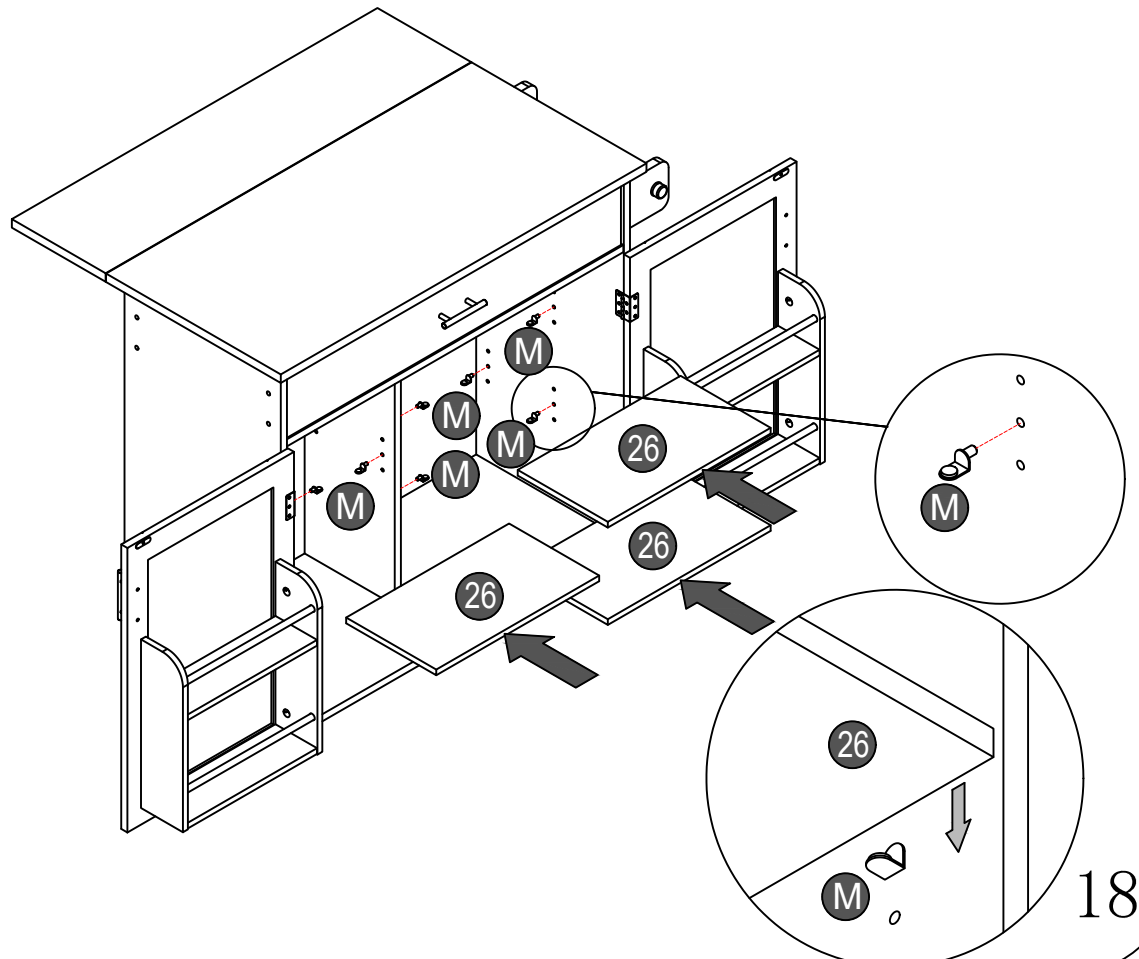


Step 27

M



Shelf Support Pin x12



Assembly Instructions

Step 28

