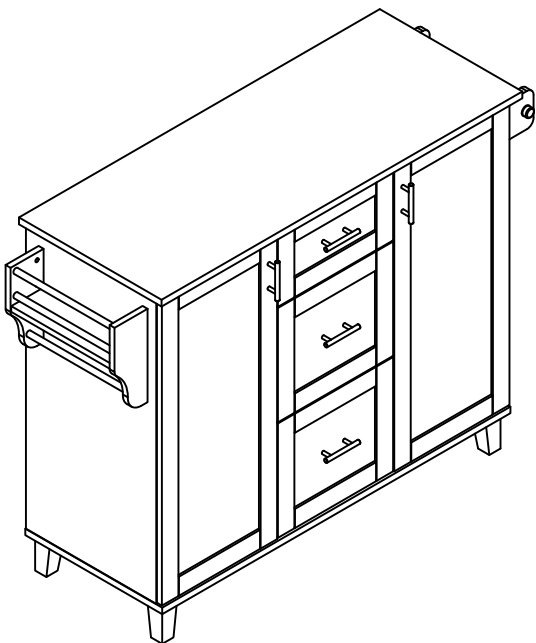


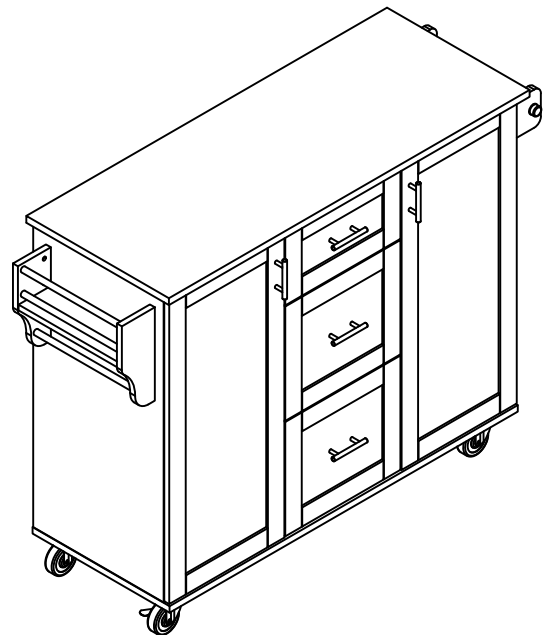
Kitchen Islands Carts

Assembly Instructions - Please keep for future reference

WF316599



or



Dimensions

Width-43 inch

Depth-17 inch

Height-36.85 inch

Important – Please read these instructions fully before starting assembly



Safety and Care Advice

Important – Please read these instructions fully before starting assembly

- Check you have all the components and tools listed on the following pages.
- Remove all fittings from the plastic bags and separate them into their groups.
- Keep children and animals away from the work area, small parts could choke if swallowed.
- Make sure you have enough space to layout the parts before starting.

- During assembly do not stand or put weight on the product, this could cause damage.
- Assemble the item as close to its final position (in the same room) as possible.
- Assemble on a soft level surface to avoid damaging the unit or your floor.
- Parts of the assembly will be easier with 2 people.



- To reduce the likelihood of damaging your product please ensure that your power drill is set on a low torque setting.

Care and maintenance

- Only clean using a damp cloth and mild detergent, do not use bleach or abrasive cleaners.
- From time to time check that there are no loose screws on this unit.
- This product should not be discarded with household waste. Take to your local authority waste disposal centre.

Handy Hints

- Assemble all parts and bolts loosely during assembly, only once the product is complete should you fully tighten the bolts
- Regularly check and ensure That all bolts and fittings are tightend properly.

WARNING In order to help prevent overturning – please follow these instructions

To help prevent product toppling over please follow the below steps:-

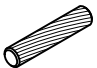

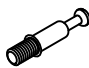



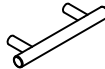


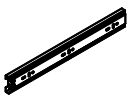



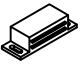











Use the anti tip stap or wall fixing method provided (if applicable)
Do not allow children to climb or hang on the furniture
Do not open more than one drawer at a time
Do not place heavy items in the top drawers
Do not place heavy items on top of the furniture, unless the furniture has been designed for this purpose

Please note that only the anti tip strap is provided.
You will need to provide wall plugs and screws applicable for your wall type

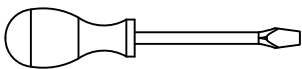
Components - Fittings

Please check you have all the panels listed below

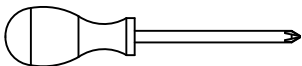
Note: The quantities below are the correct amount to complete the assembly. In some cases more fittings may be supplied than are required.

| | | | |
|---|--|---|---|
| A  Ø8*30mm Dowel x28 | B  Ø6*30mm Small Dowel x20 | C  Cam Bolt x50 | D  Cam lock x22 |
| E  Small Camlock x28 | F  4*35mm Screw x36 | G  Handle x5 | H  4*12mm Bolt x6 |
| I  4*25mm Bolt x4 | J  Drawer slide 14" x10 | K  3.0*12mm Screw x62 | L  Door Hinge x4 |
| M  3.0*12mm Screw x34 | N  Door Catch x2 | O  3.0*14mm Screw x4 | P  Shelf Support Pin x4 |
| Q  6*90mm Bolt x6 | R  Flat Washer x6 | S  Lock Washer x6 | T  Allen Key x1 |
| U  6*45mm Bolt x8 | V  Vertical nut x8 | W  Locking Caster x2 | X  Caster x3 |
| | | Y  6*12mm Bolt x20 | |

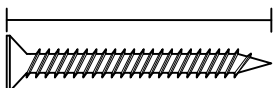
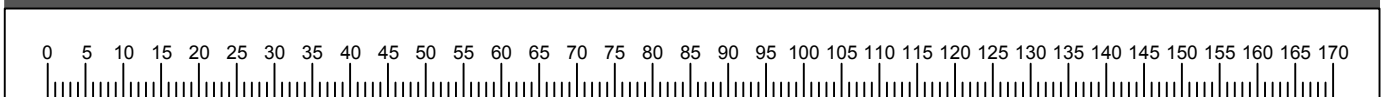
Tools required



Phillips screwdriver
(medium & large)



Ruler - Use this ruler to help correctly identify the screws



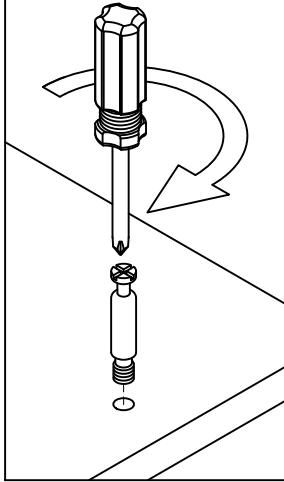
The screws length is measured from the head to the point (35mm screw shown).

Using Camlocks

Step 1

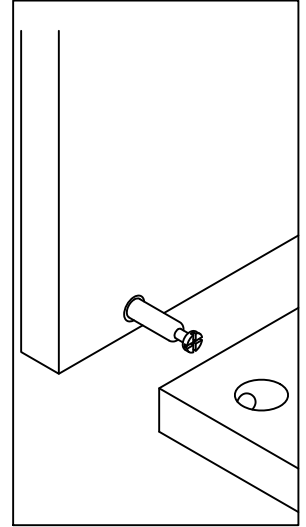
Connect the male camlock as directed in the assembly instructions using a screwdriver.

DO NOT OVER TIGHTEN.
NE PAS SERRER EXCESSIVEMENT.



Step 2

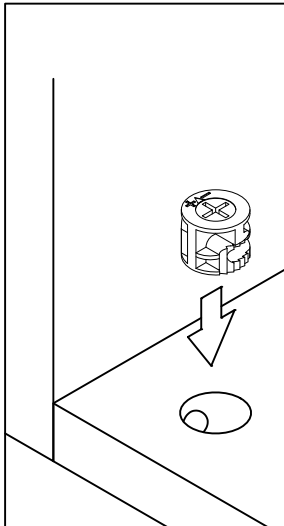
Push the male camlock into the entry hole.



Step 3

Insert the female camlock as shown in the instruction.

Note: ensure that the arrow on the top of the camlock points towards the entry hole for the male camlock.

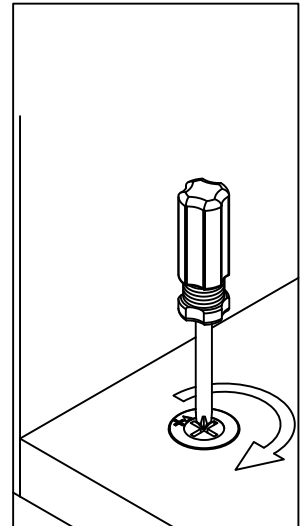


Step 1

Turn the female camlock clockwise with a screwdriver.

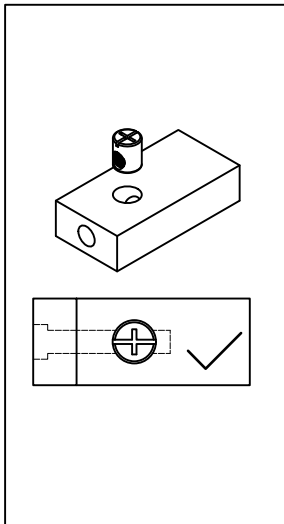
You should feel a click when the camlock is locked in place.

The joint is now secure.

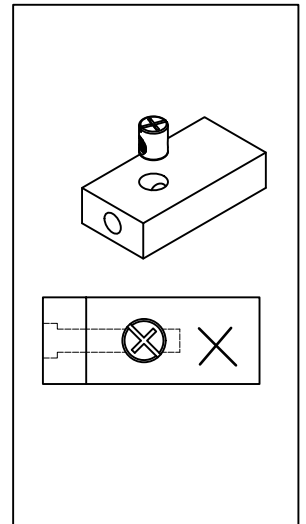


Assembly Instructions for Lateral Nuts

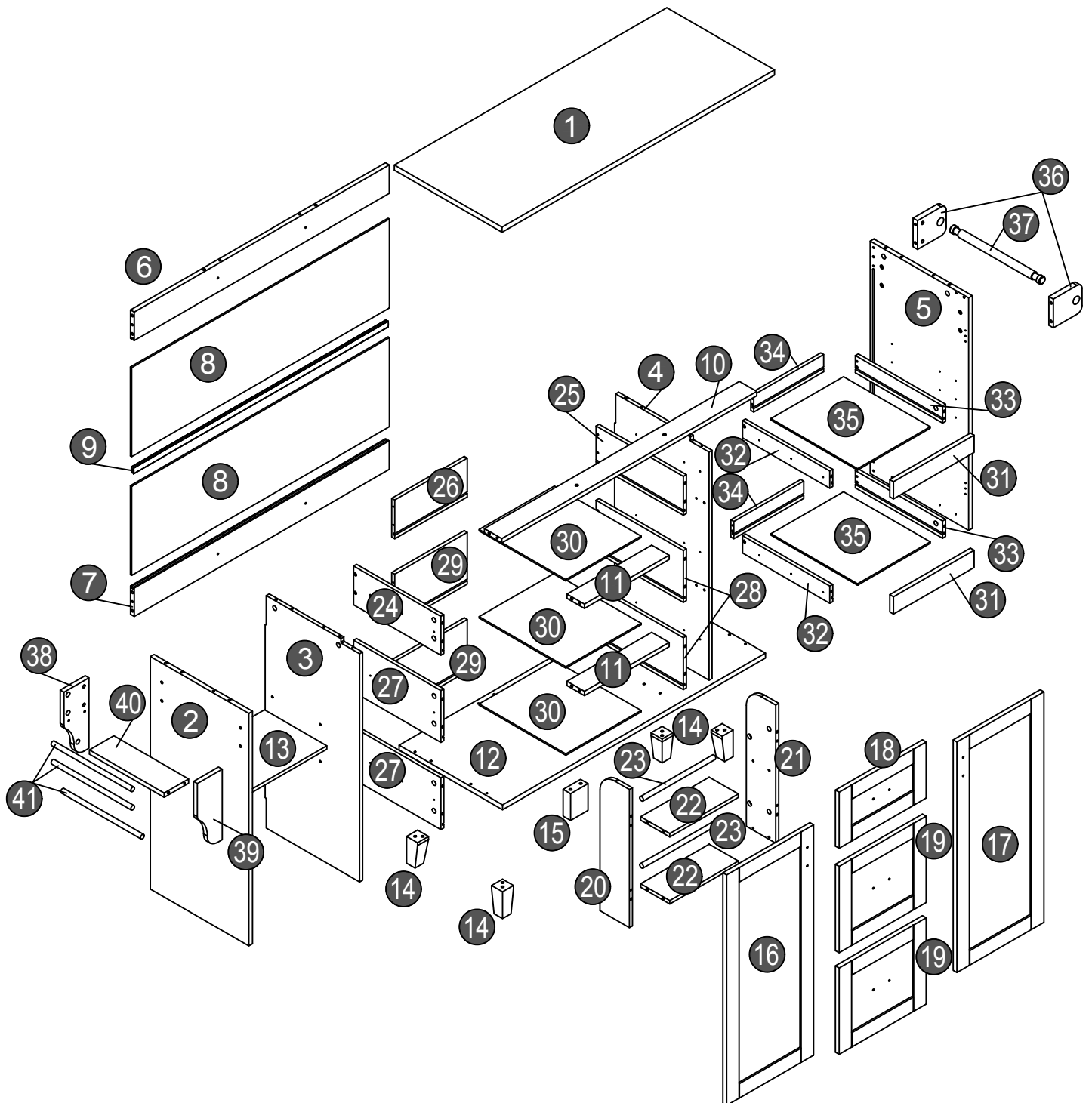
Insert the horizontal nut into the hole, rotate the horizontal threaded hole to align with the end hole of the wooden board, as shown in Figure A



Please ensure that the threaded hole of the horizontal nut is aligned with the horizontal hole at the end of the wooden board, otherwise the screw cannot be installed

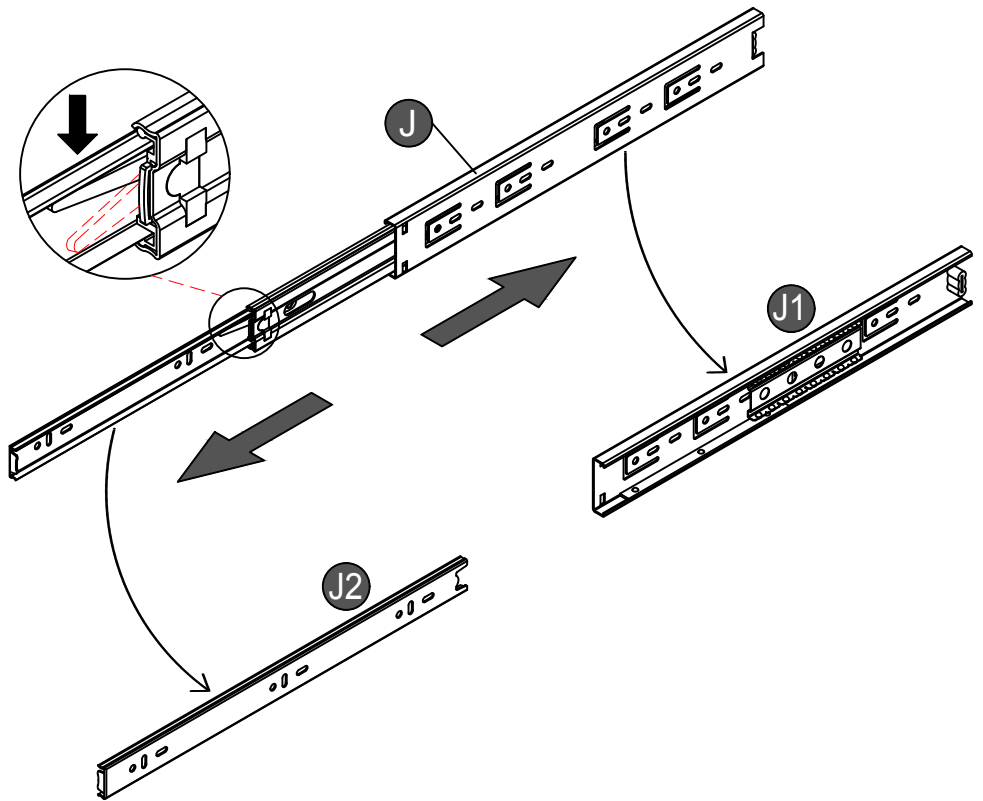


Assembly Instructions

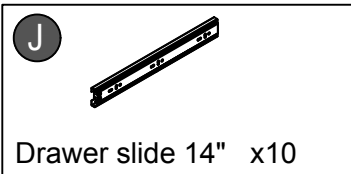


Assembly Instructions

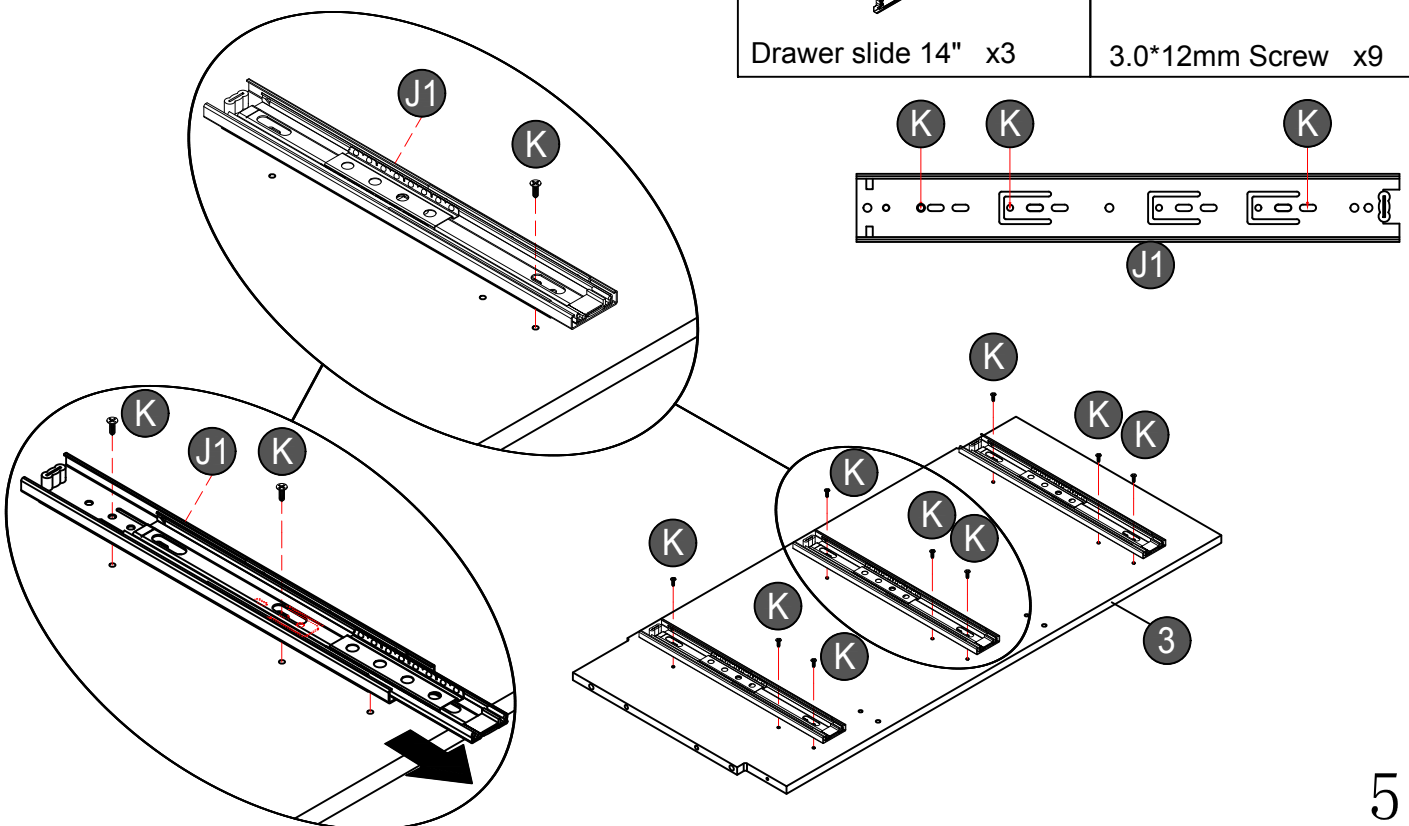
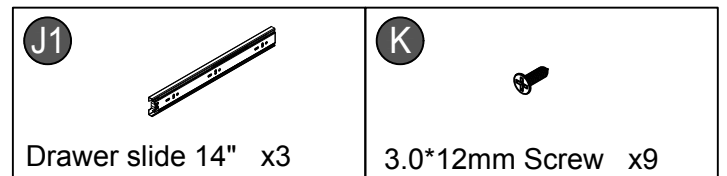
Step 1



Split J into J1 and J2

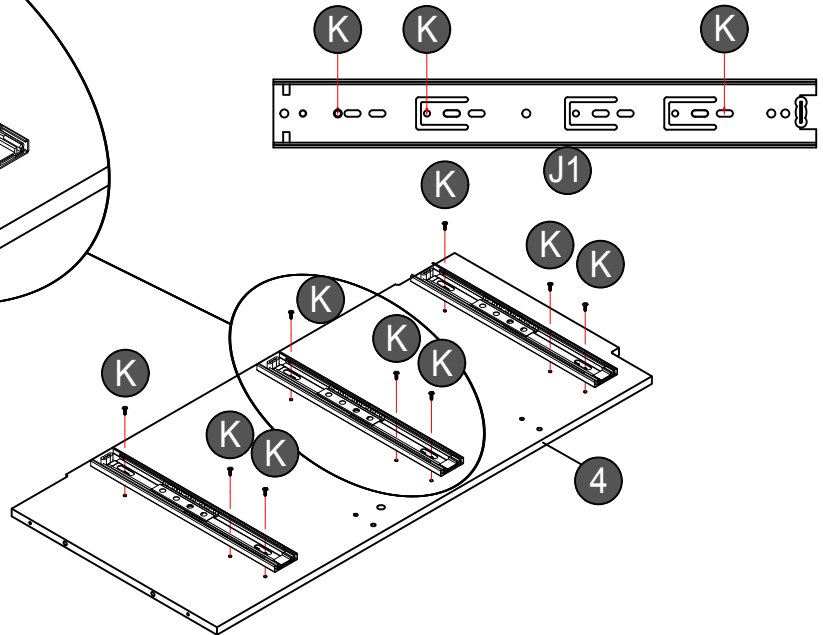
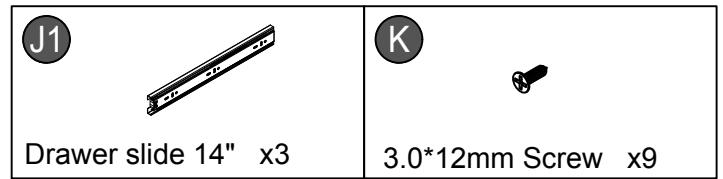
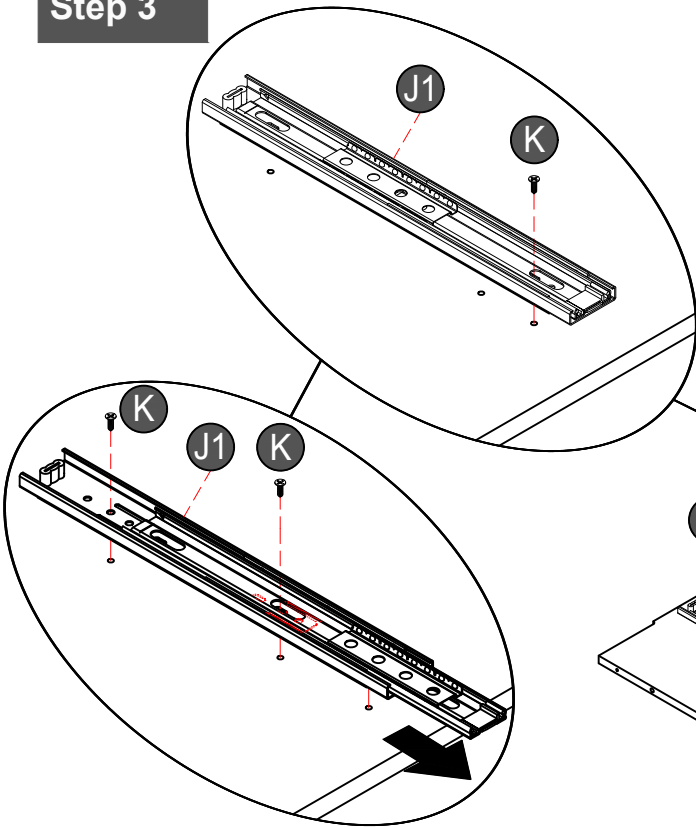


Step 2

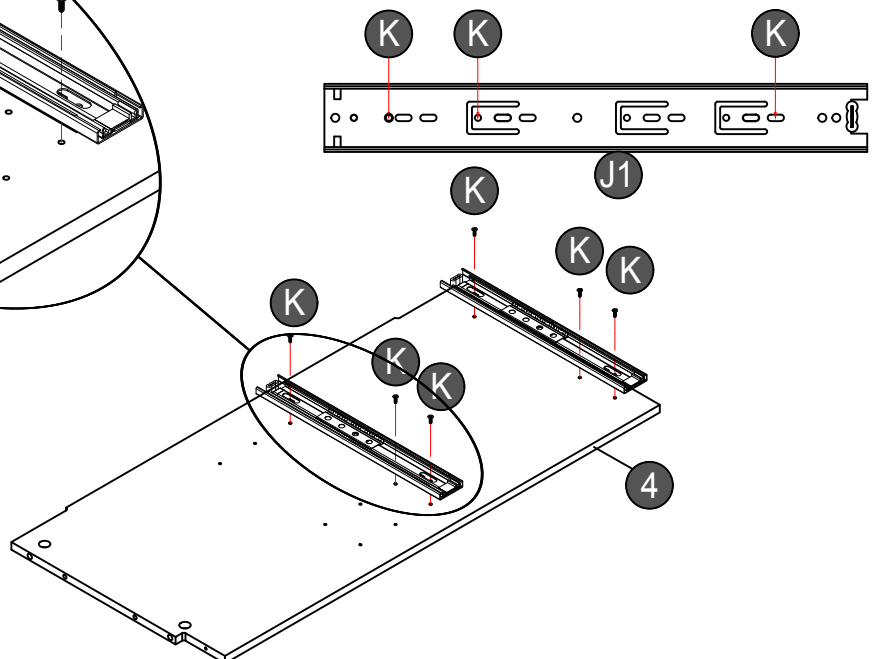
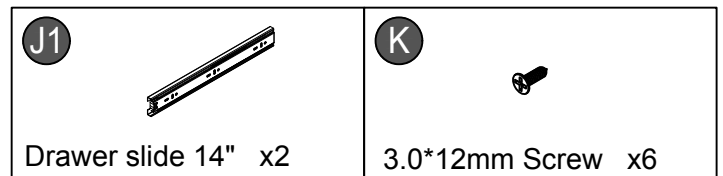
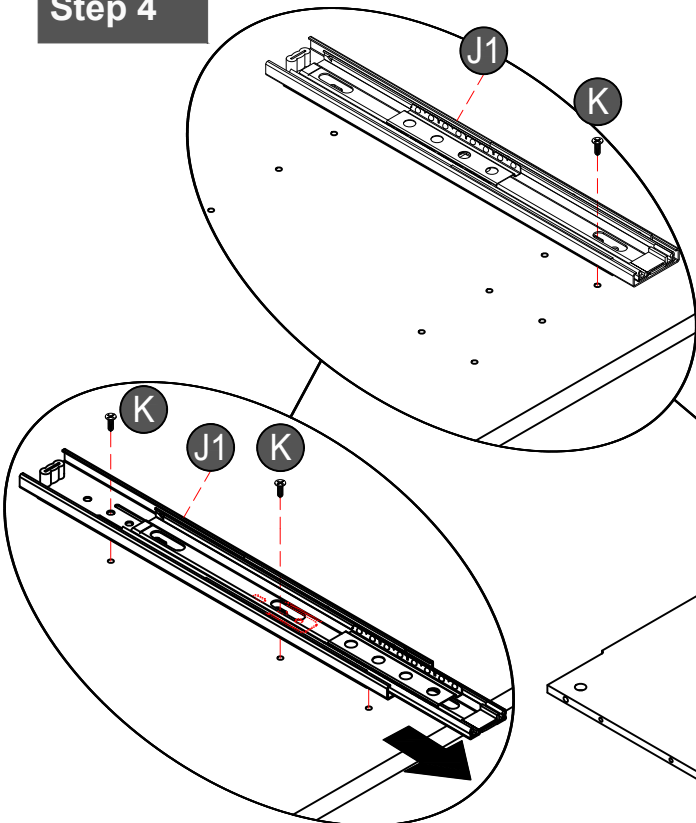


Assembly Instructions

Step 3

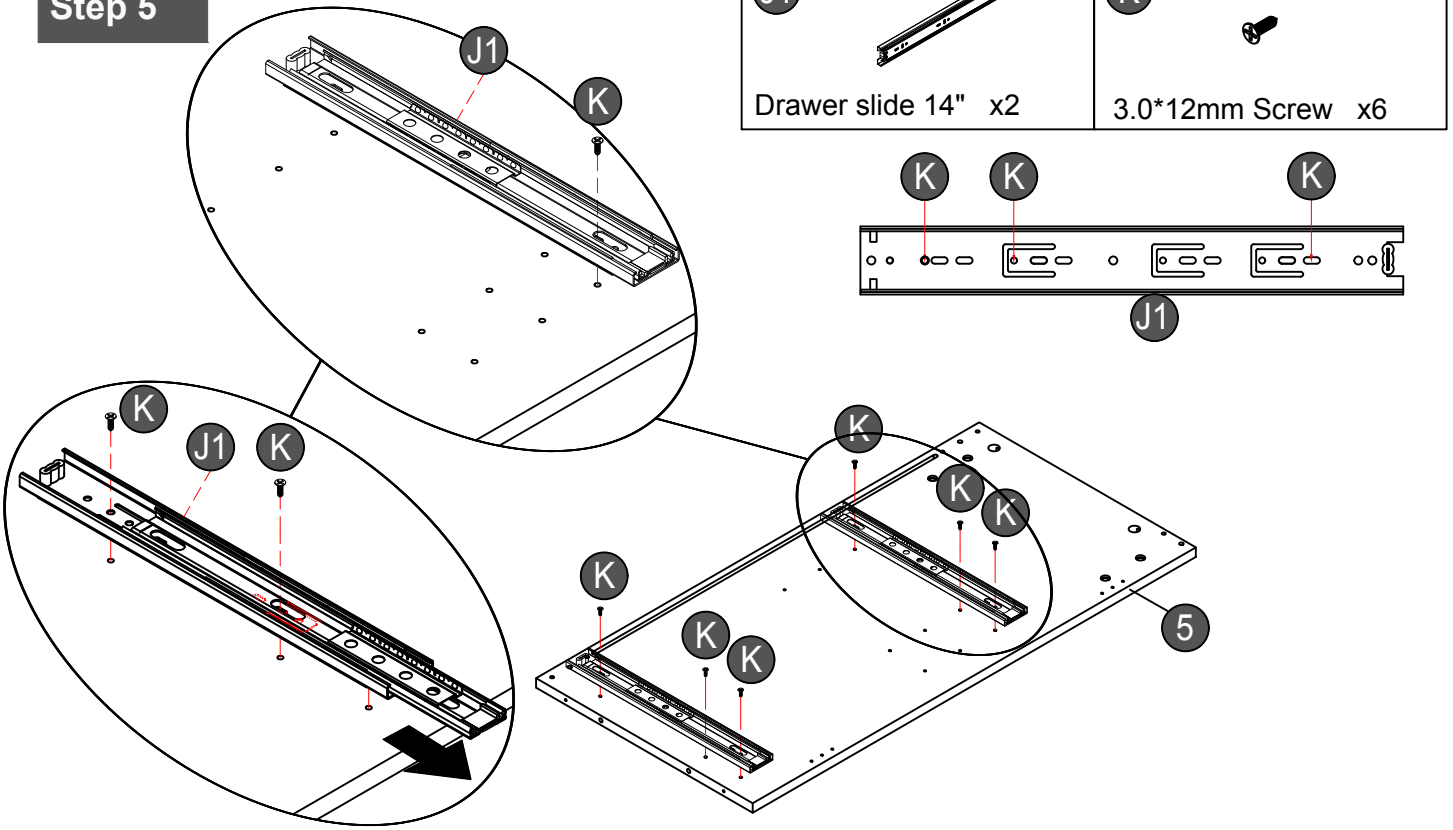


Step 4

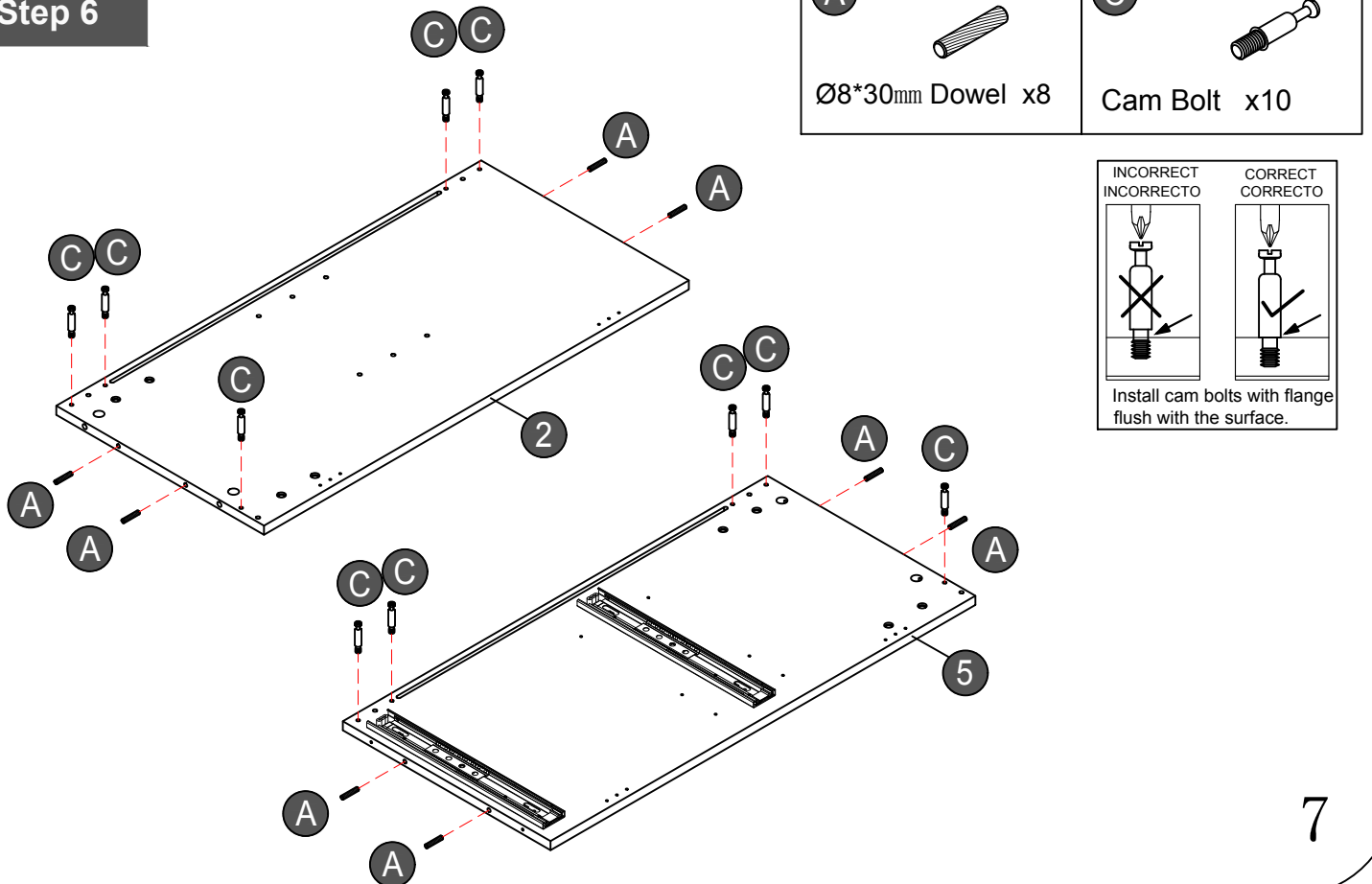


Assembly Instructions

Step 5

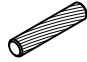
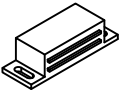



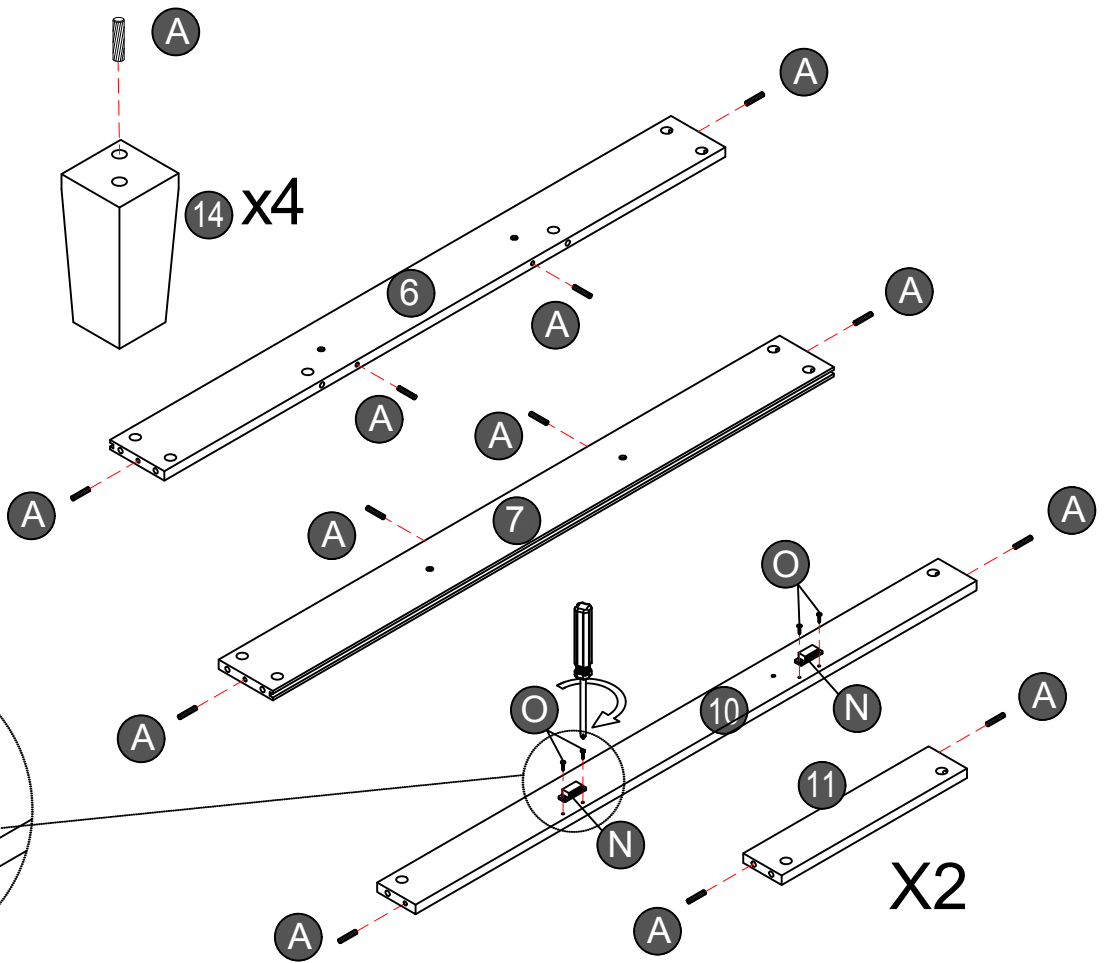
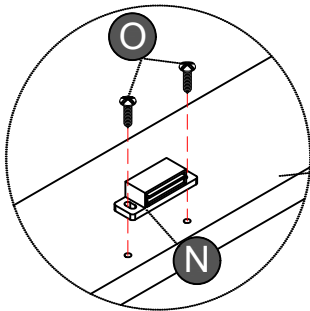
Step 6




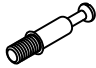
Assembly Instructions

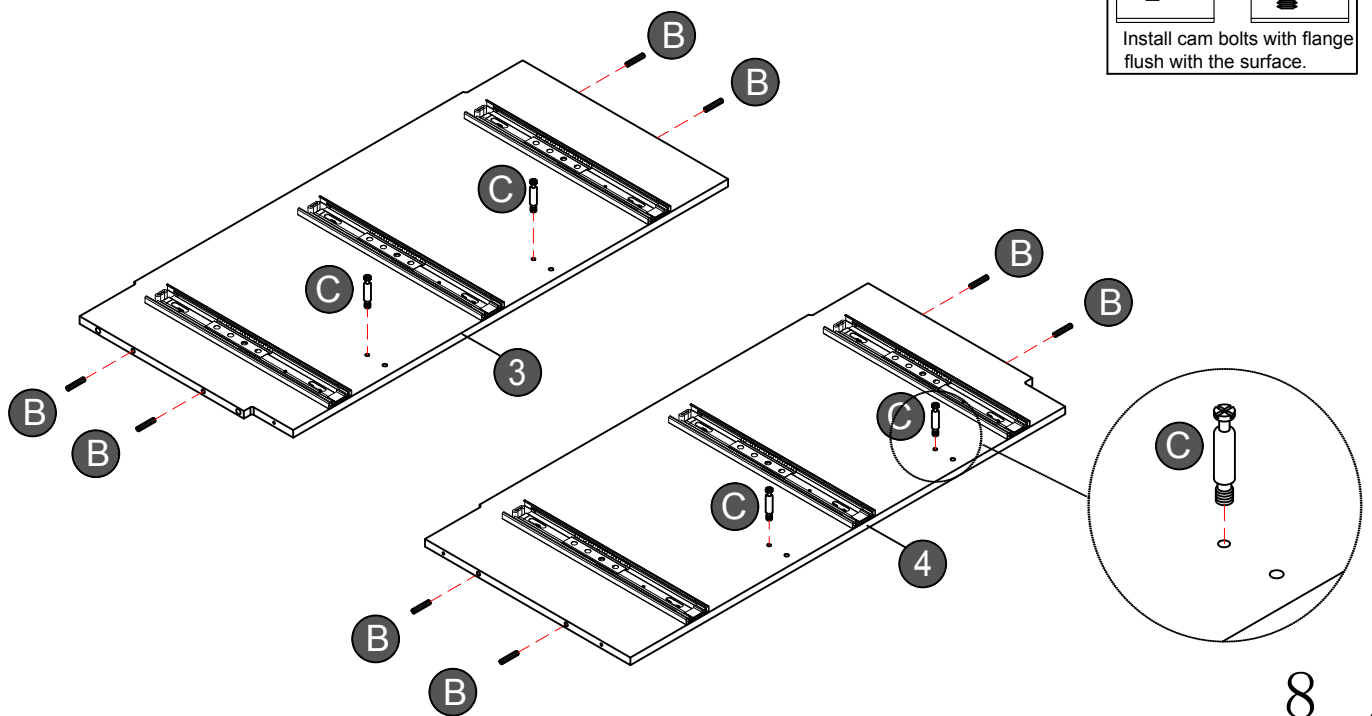
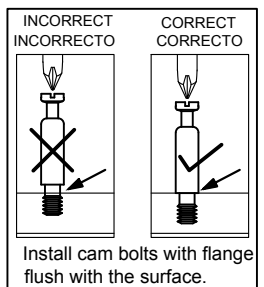
Step 7

- A**  $\text{Ø}8*30\text{mm Dowel x18}$
- N**  Door Catch x2
- O**  3.0*14mm Screw x4



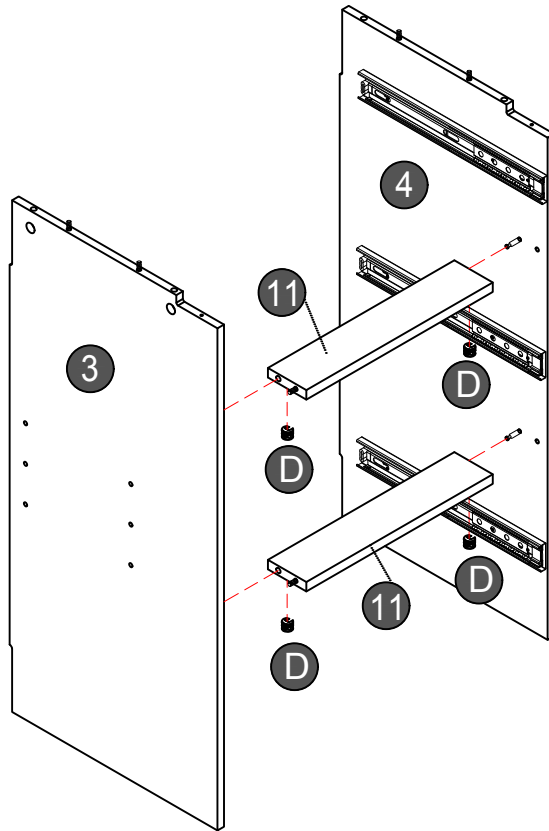
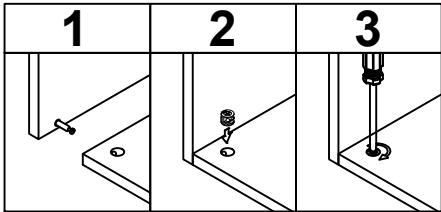
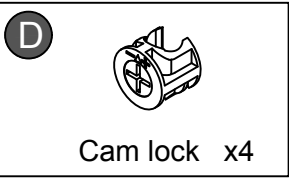
Step 8

- B**  $\text{Ø}6*30\text{mm Dowel x8}$
- C**  Cam Bolt x4

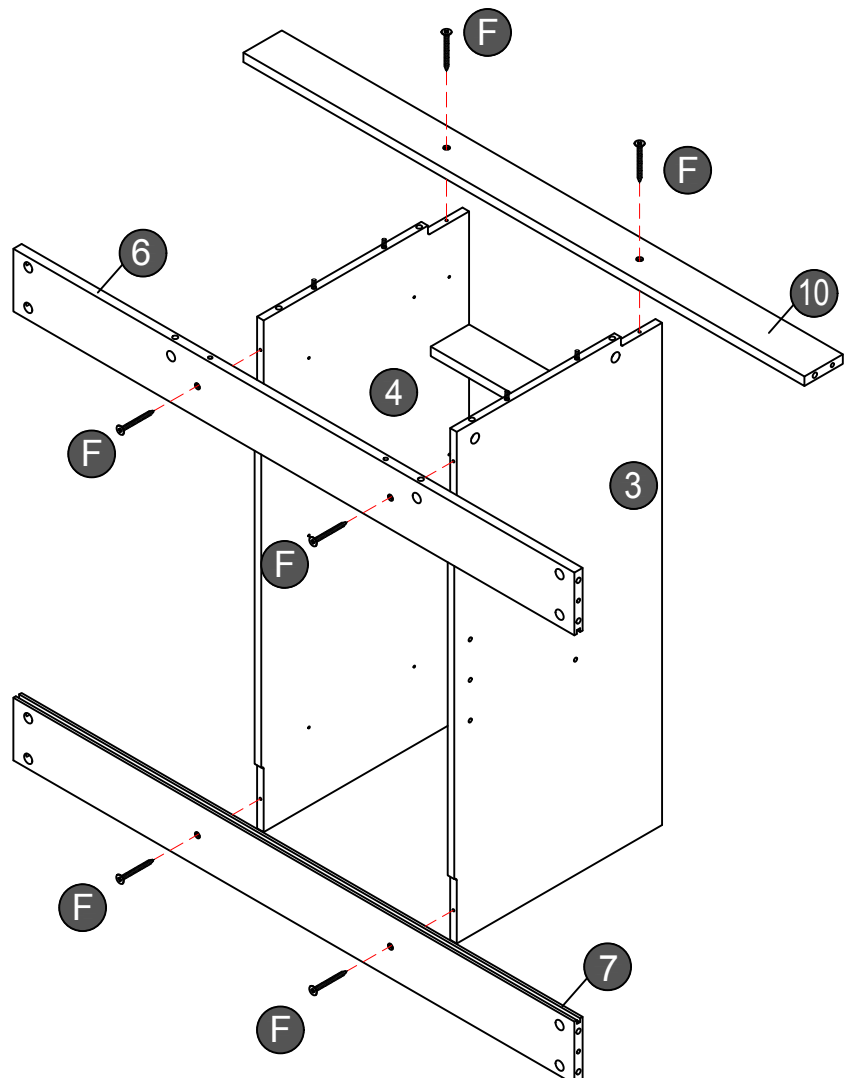
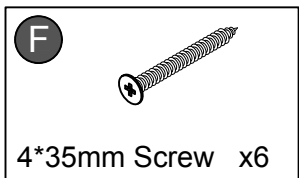


Assembly Instructions

Step 9

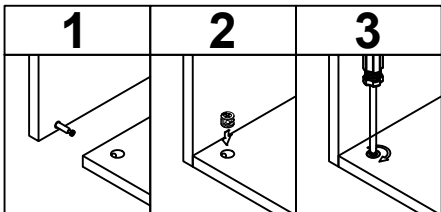
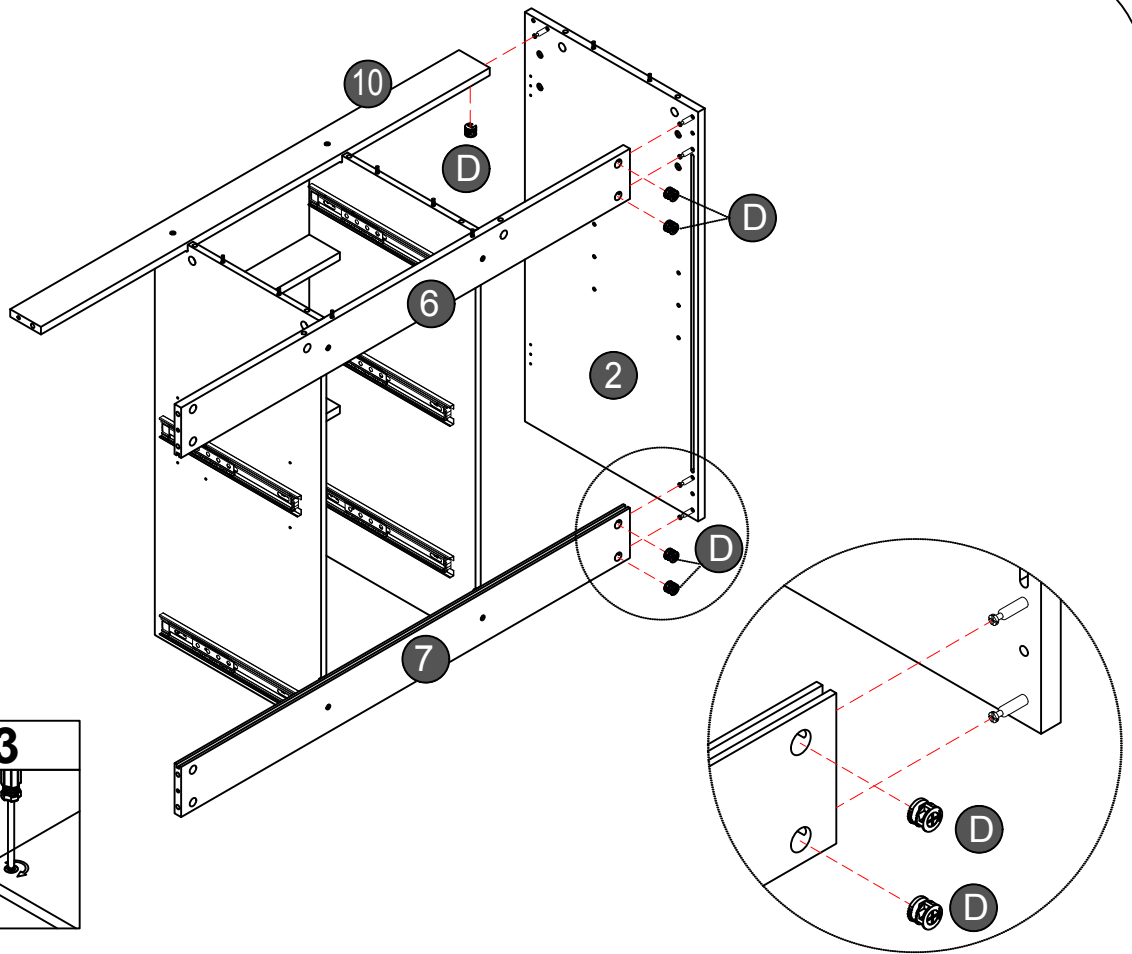
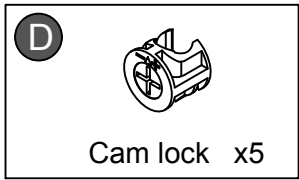


Step 10

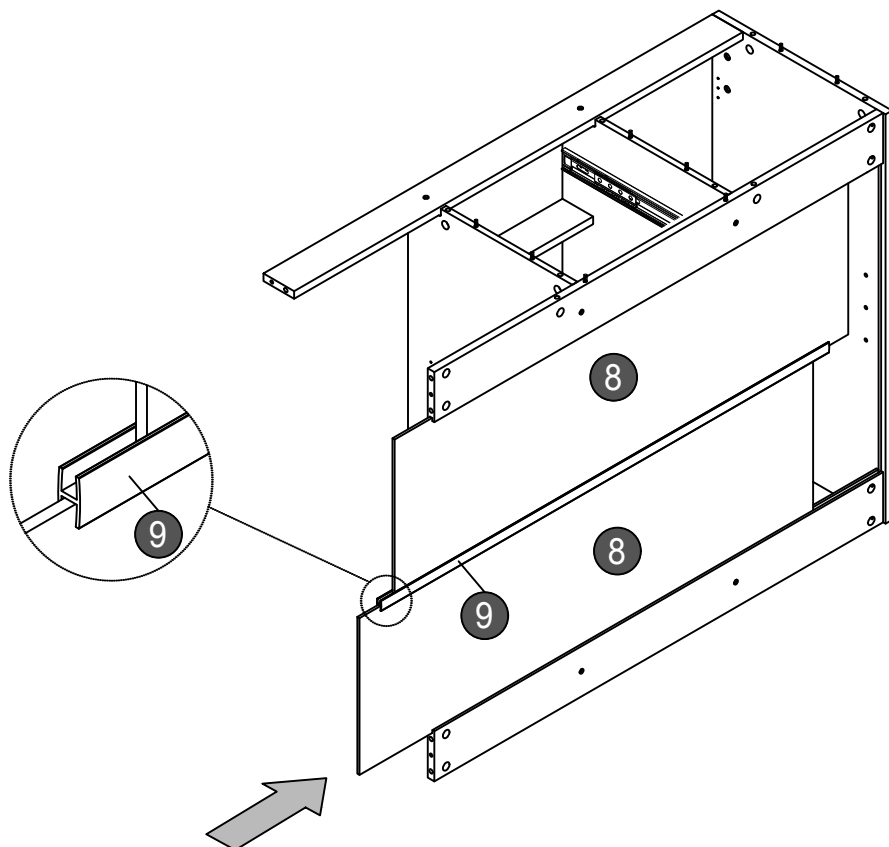


Assembly Instructions

Step 11

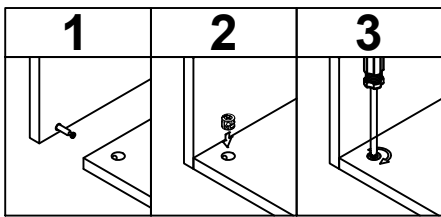
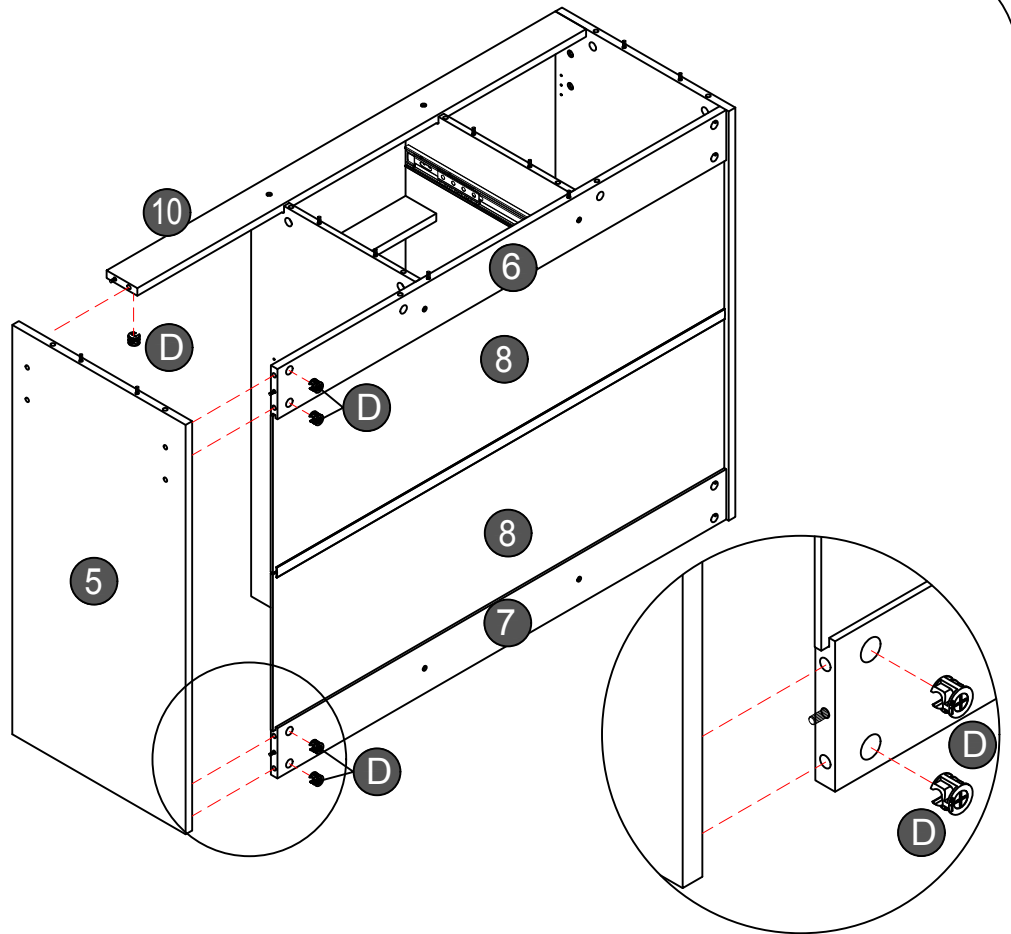
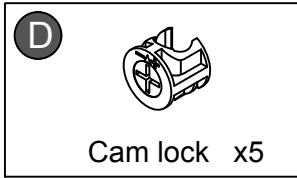


Step 12

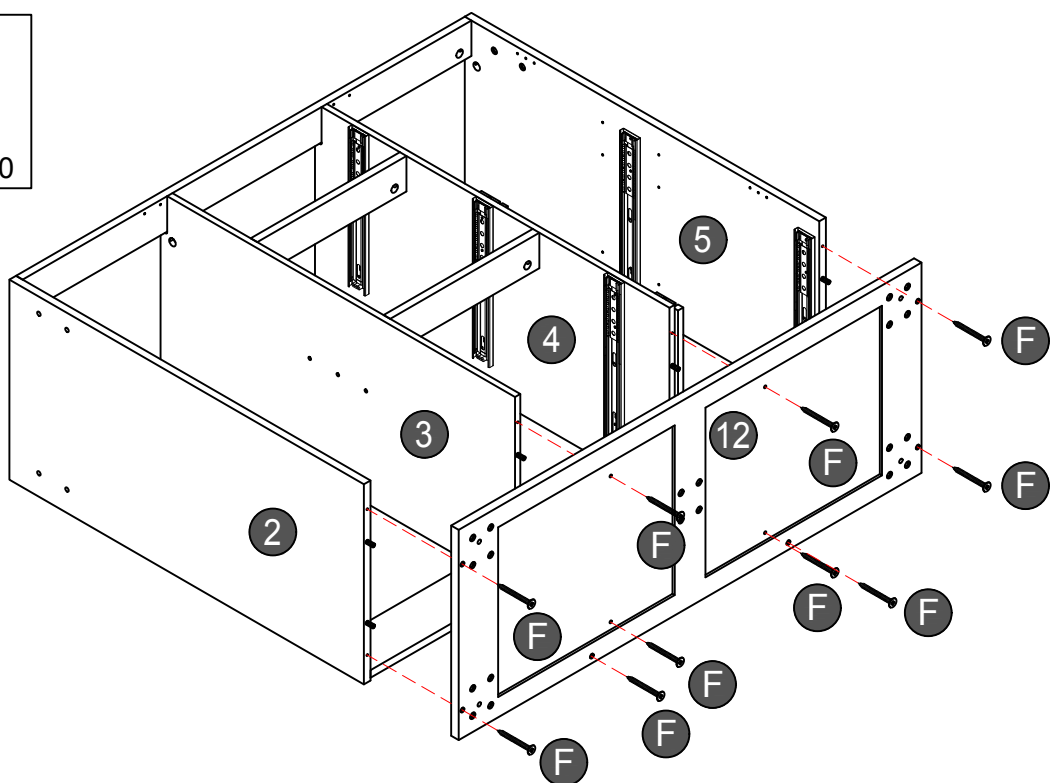
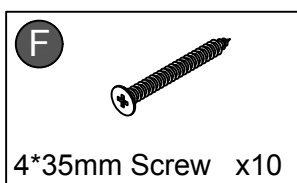


Assembly Instructions

Step 13



Step 14



Assembly Instructions

Step 15

Q



6*90mm Bolt x6

R



Flat Washer x6

S

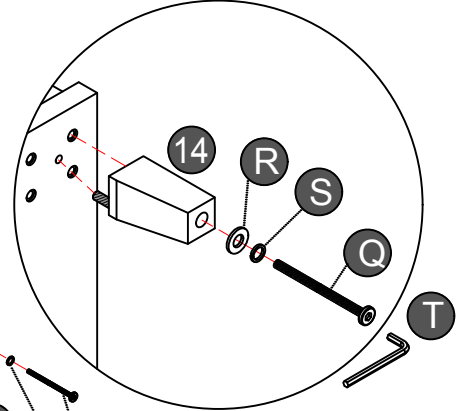
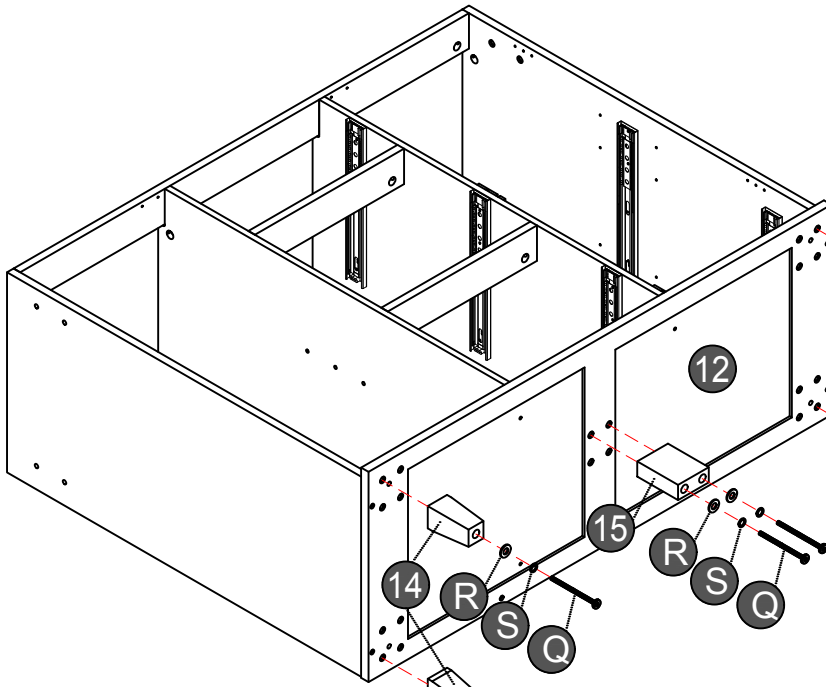


Lock Washer x6

T



Allen Key x1



or

T



Allen Key x1

W



Locking Caster x2

X

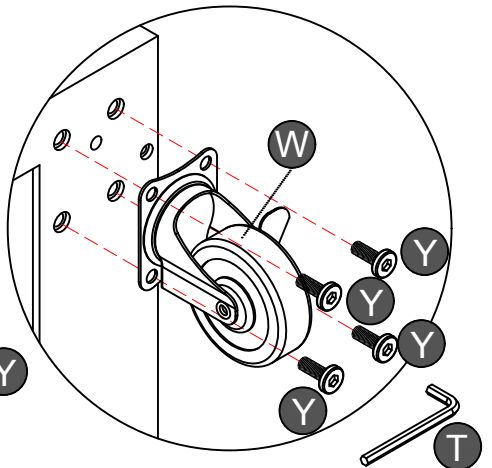
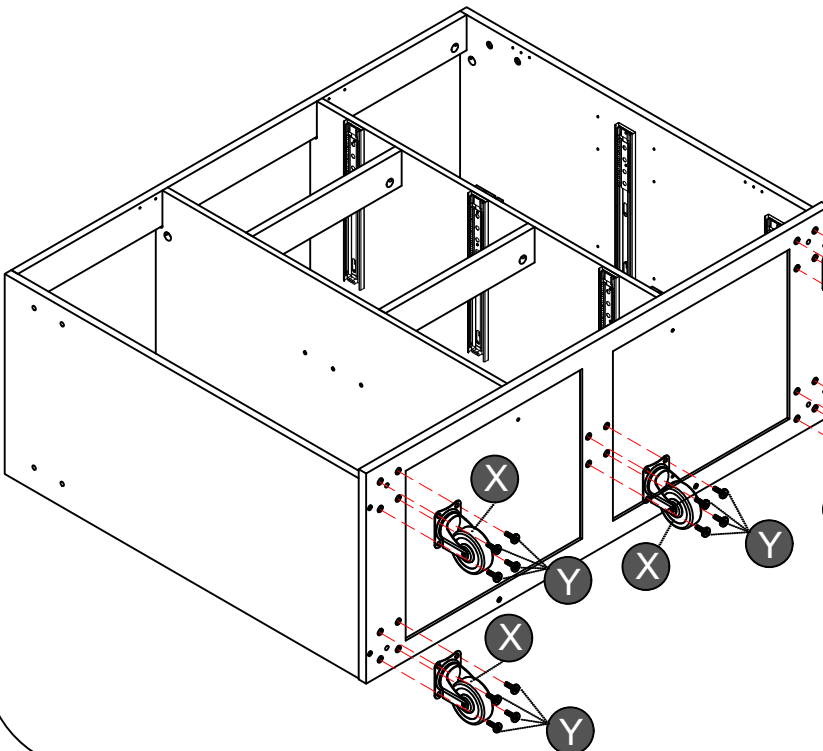


Caster x3

Y

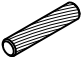
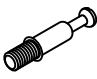



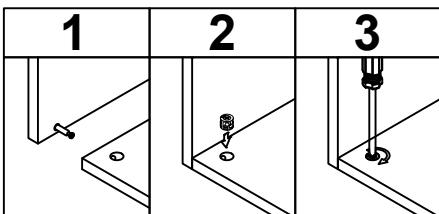
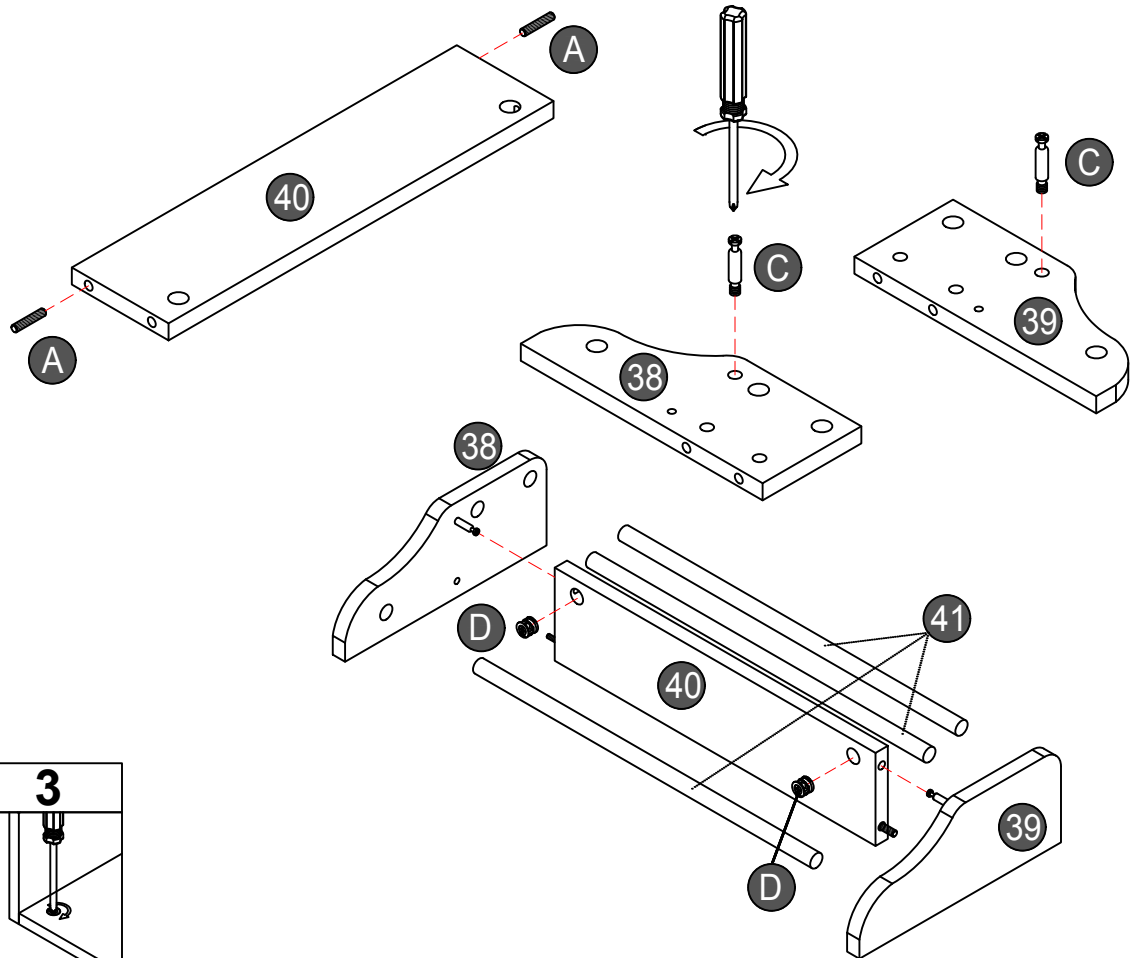
6*12mm Bolt x20






Assembly Instructions

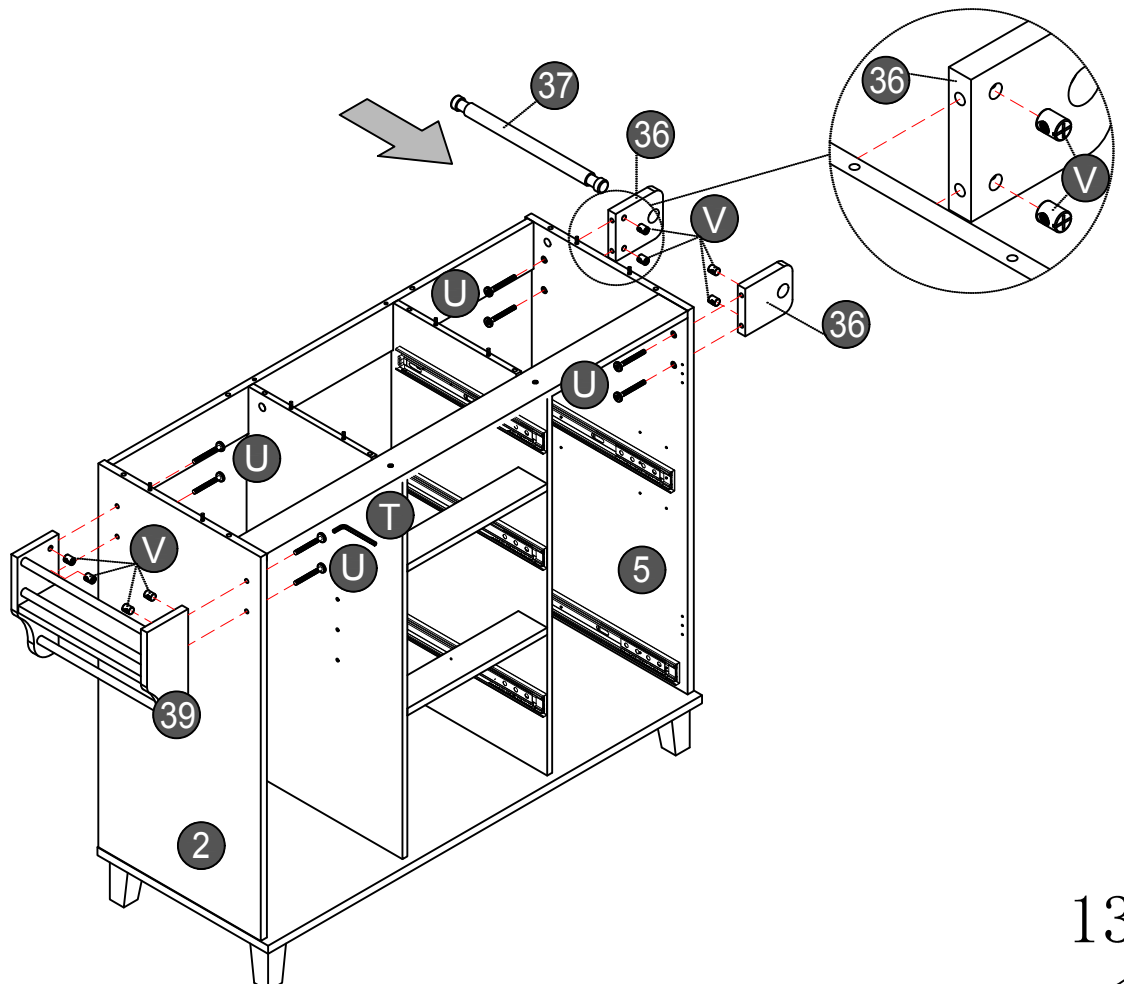
Step 16

- A**  $\varnothing 8 \times 30$ mm Dowel x2
- C**  Cam Bolt x2
- D**  Cam lock x2



Step 17

- T**  Allen Key x1
- U**  6*45mm Bolt x8
- V**  Vertical nut x8



Assembly Instructions

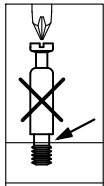
Step 18

C

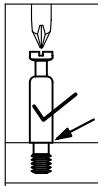


Cam Bolt x10

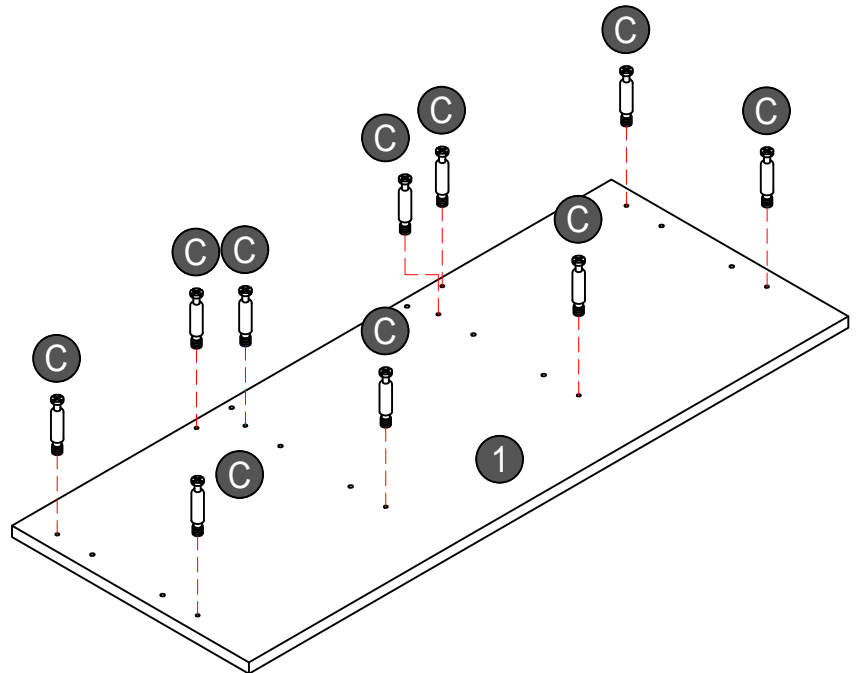
INCORRECT
INCORRECTO



CORRECT
CORRECTO



Install cam bolts with flange flush with the surface.



Step 19

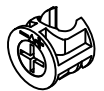
Please note that the sizes of D and E are different, please be cautious during installation

E

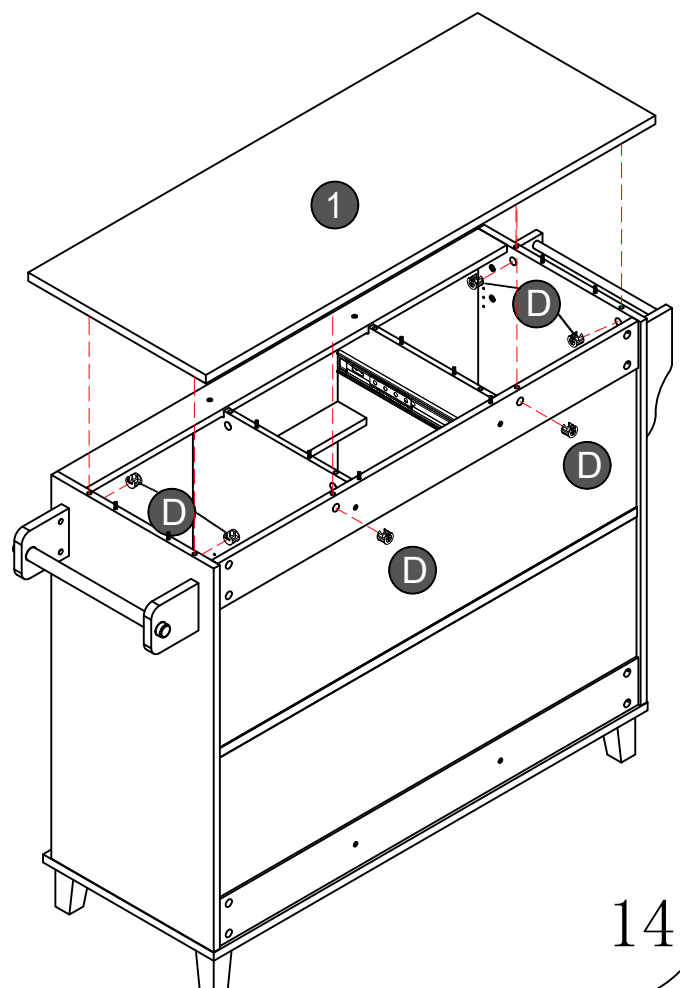
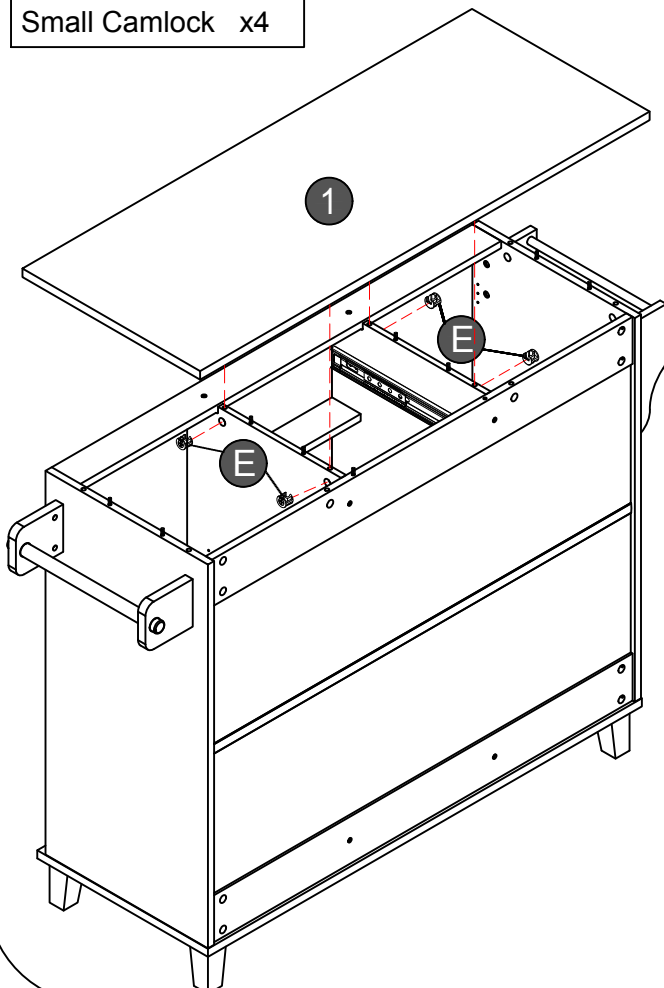


Small Camlock x4

D



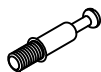
Cam lock x6



Assembly Instructions

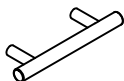
Step 20

C



Cam Bolt x4

G



Handle x2

I



4*25mm Bolt x4

L

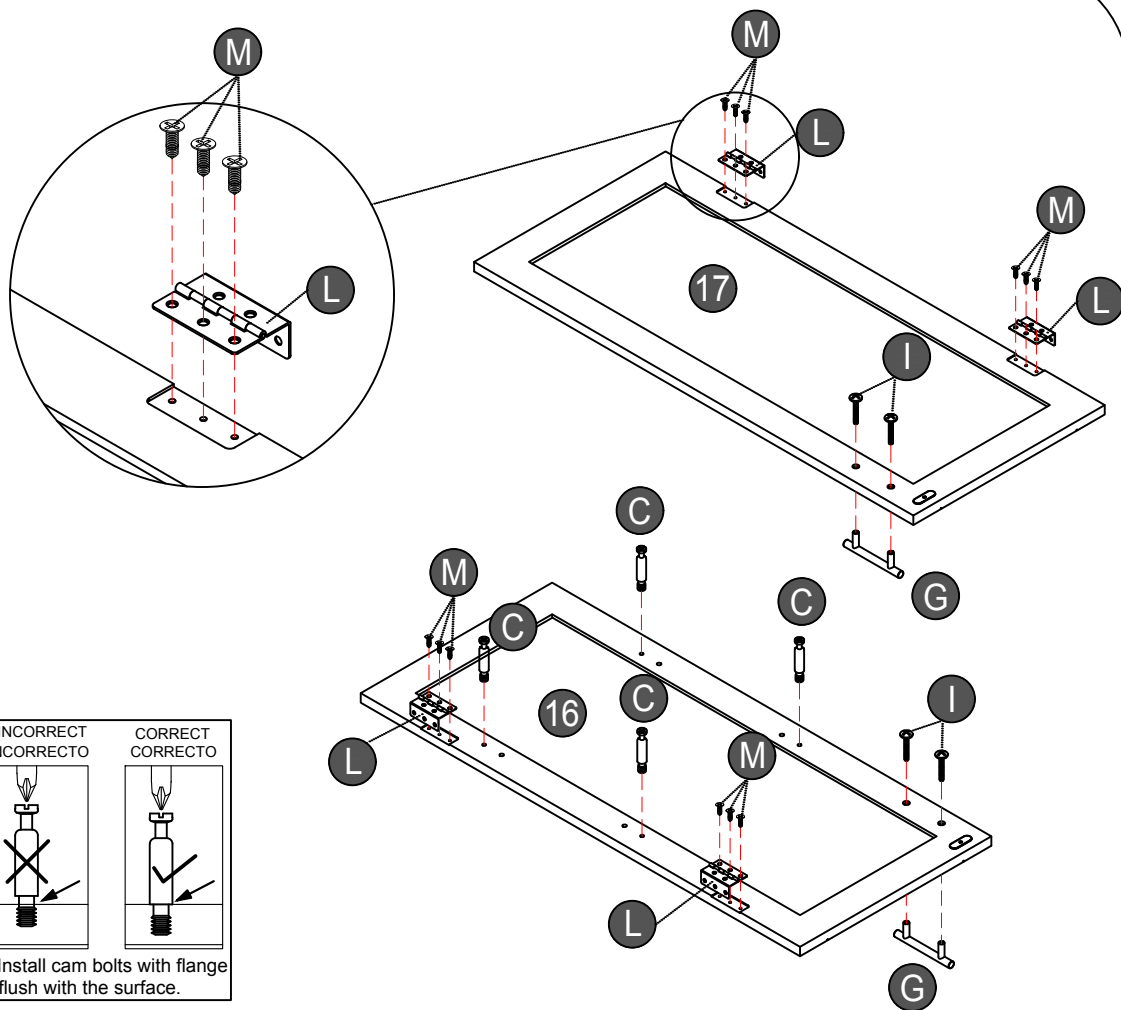
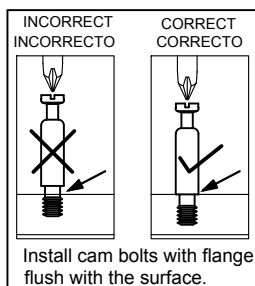


Door Hinge x4

M



3.0*12mm Screw x12

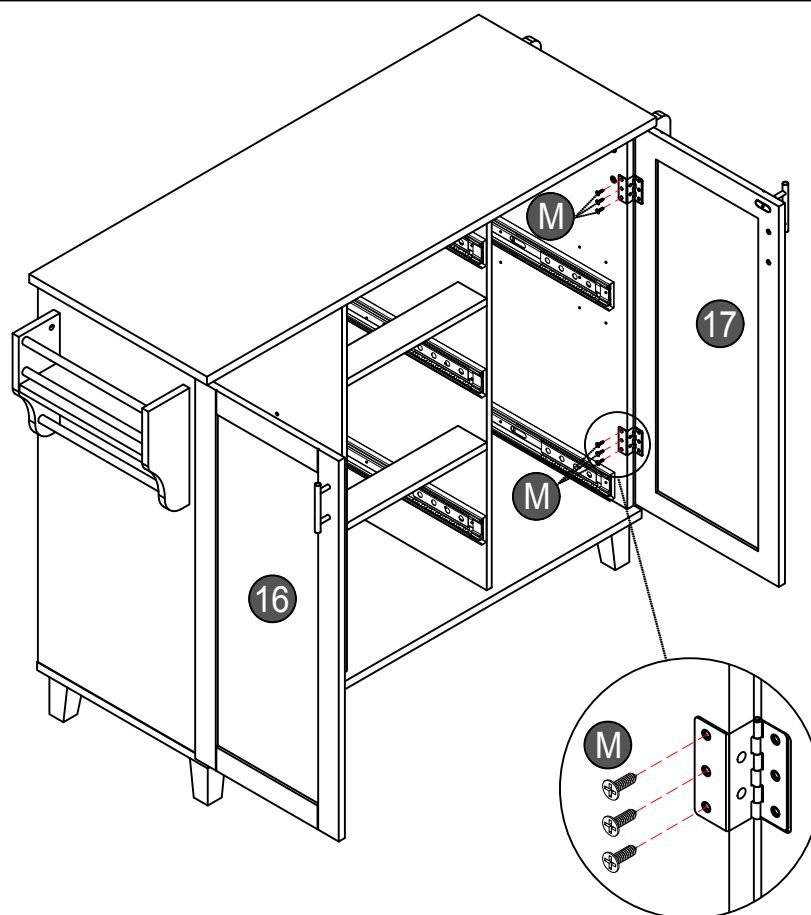


Step 21

M

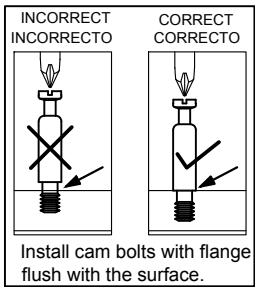
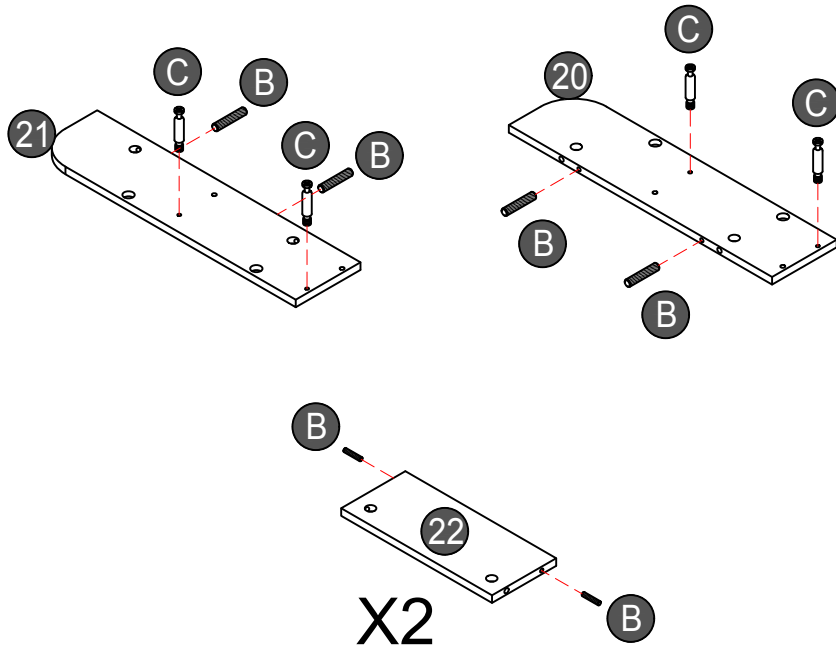
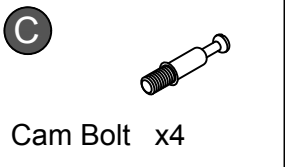
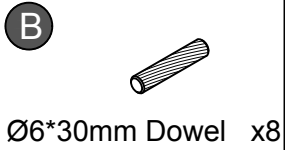


3.0*12mm Screw x12

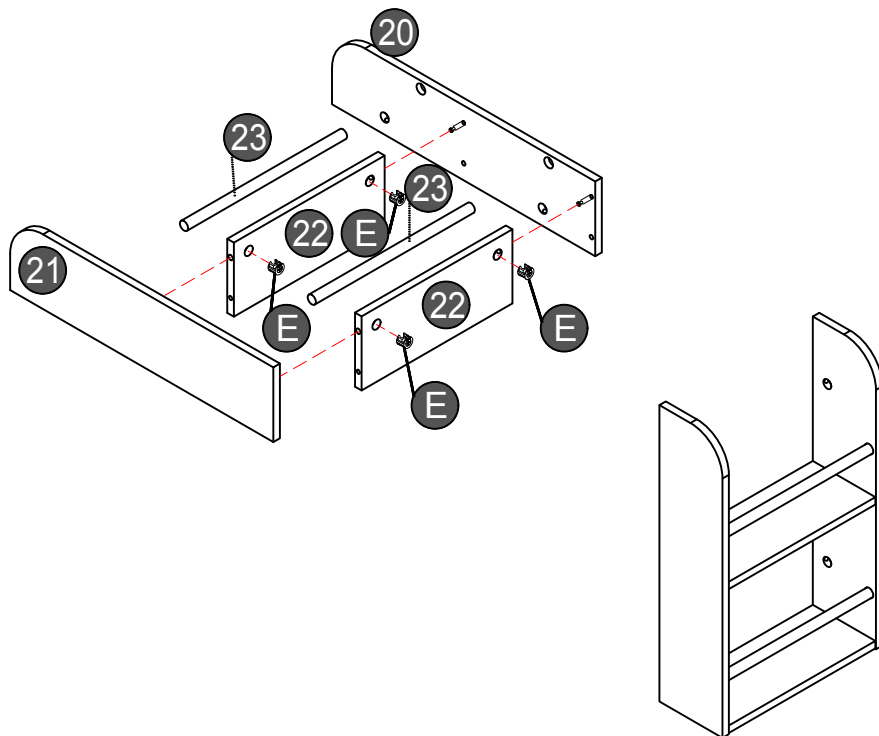
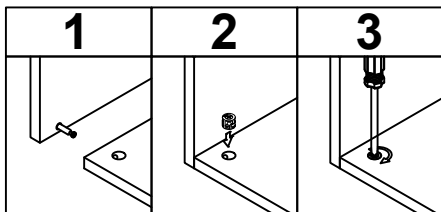
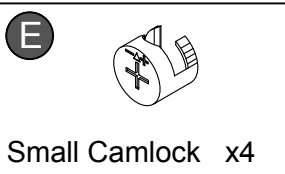


Assembly Instructions

Step 22



Step 23



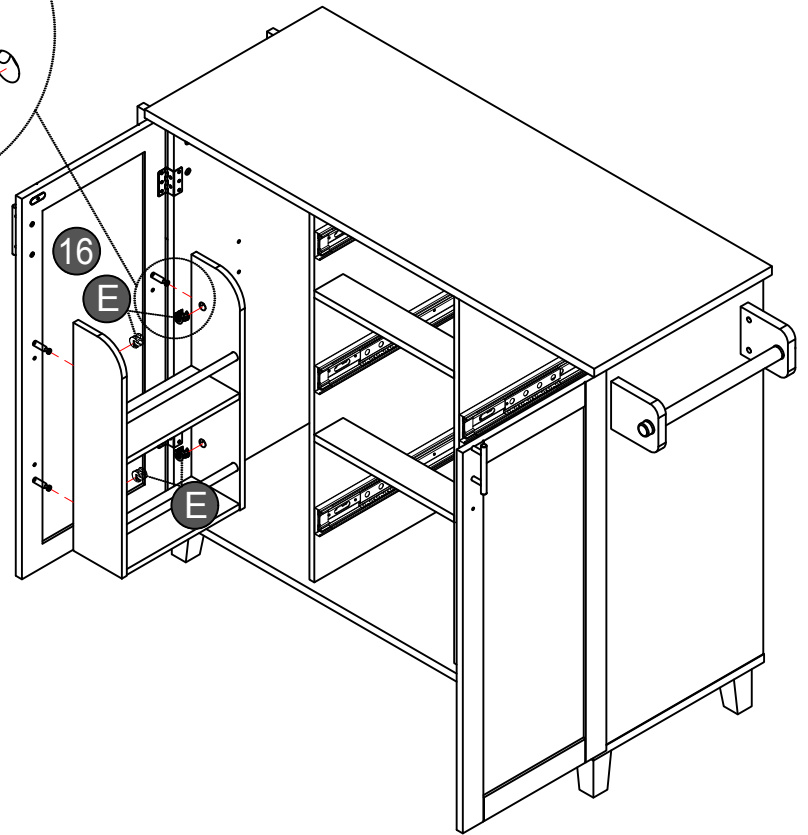
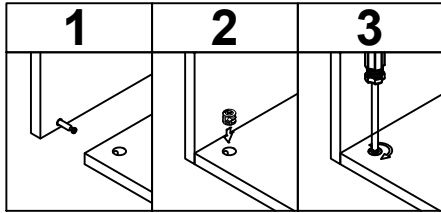
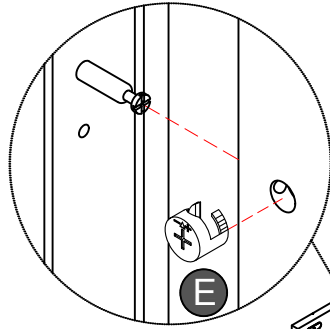
Assembly Instructions

Step 24

E



Small Camlock x4



Step 25

C



Cam Bolt x4

K

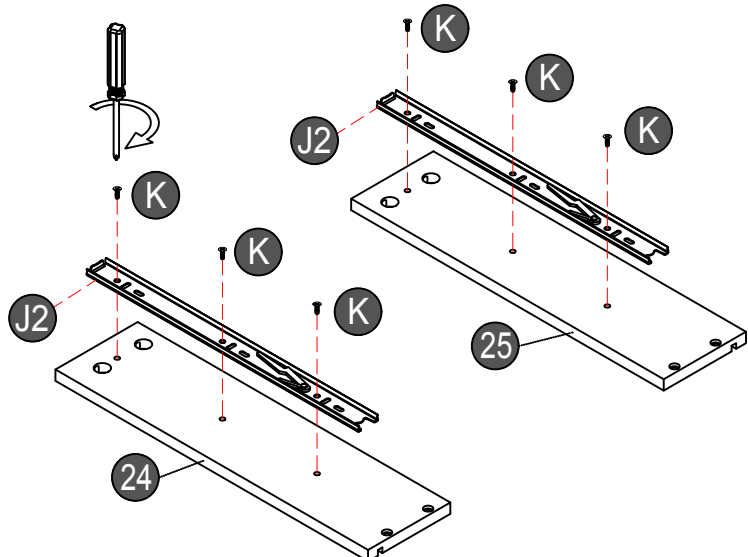
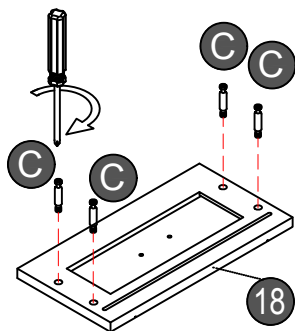
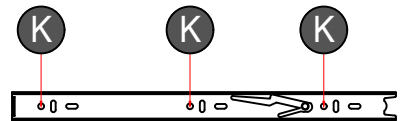


3.0*12mm Screw x6

J2



Drawer slide 14" x2



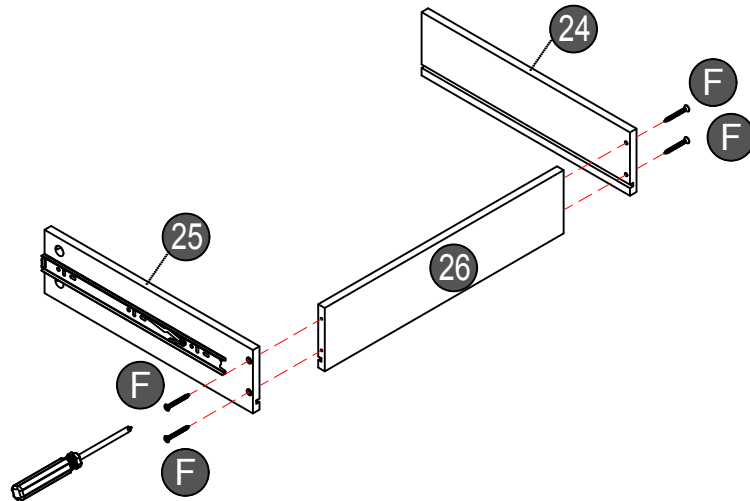
Assembly Instructions

Step 26

F



4*35mm Screw x4



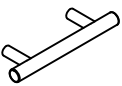
Step 27

E



Small Camlock x4

G

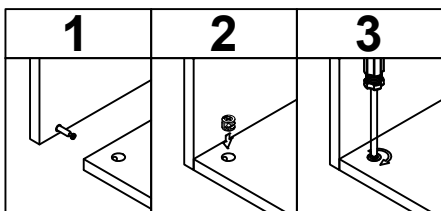
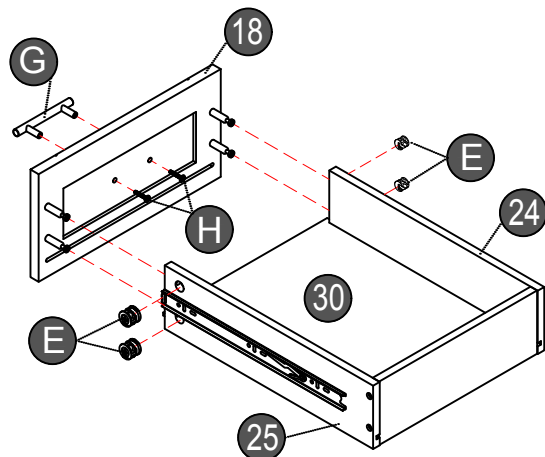
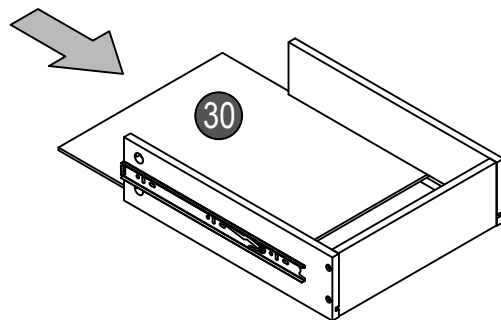


Handle x1

H

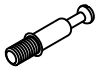

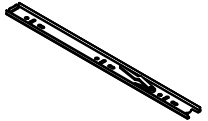


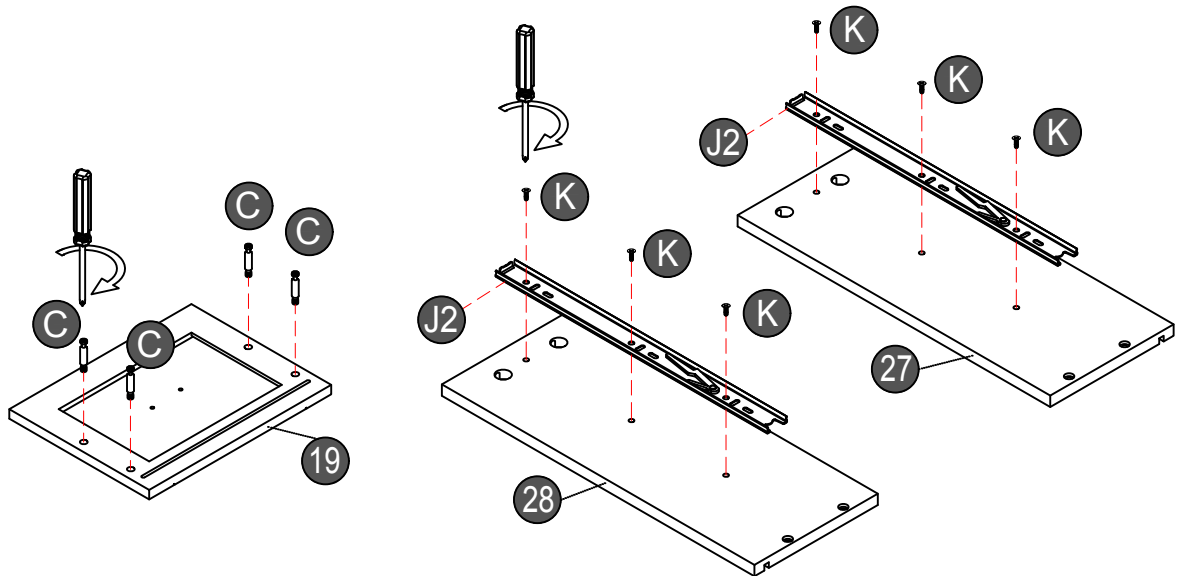
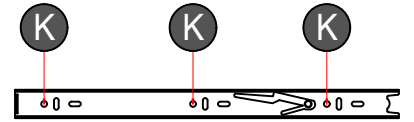
4*12mm Bolt x2




Assembly Instructions

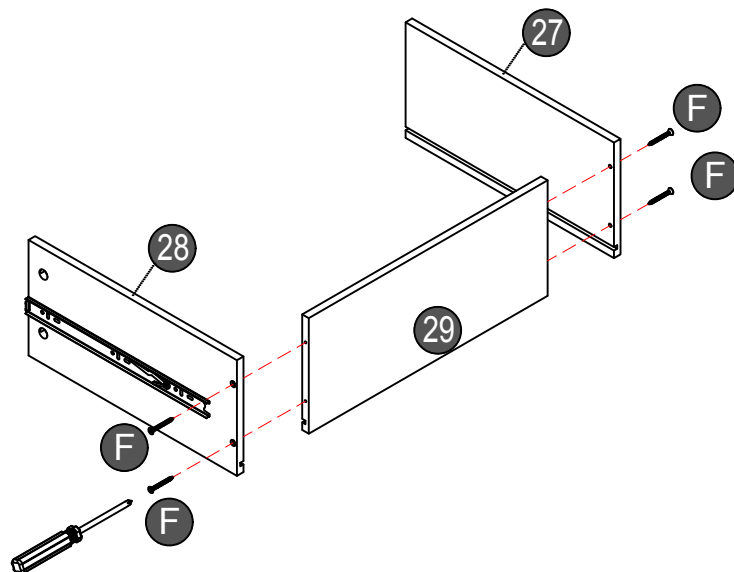
Step 28

| | | |
|--|---|---|
| C  Cam Bolt x8 | K  3.0*12mm Screw x12 | J2  Drawer slide 14" x4 |
|--|---|---|



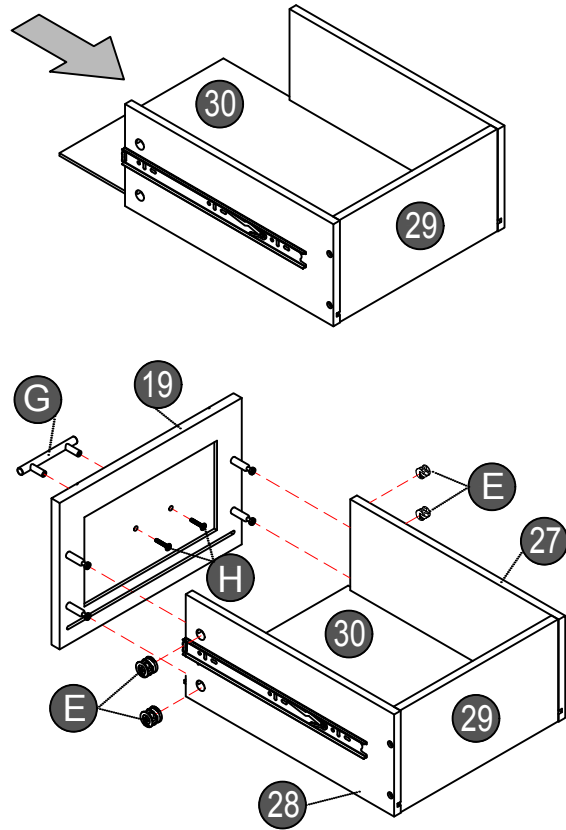
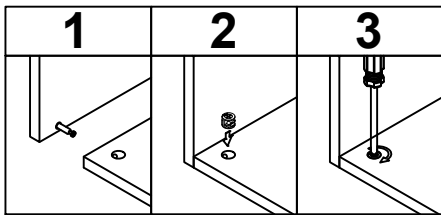
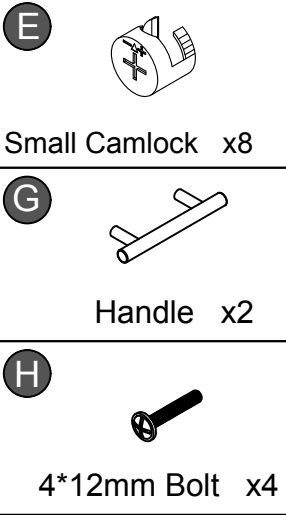
Step 29

| |
|--|
| F  4*35mm Screw x8 |
|--|

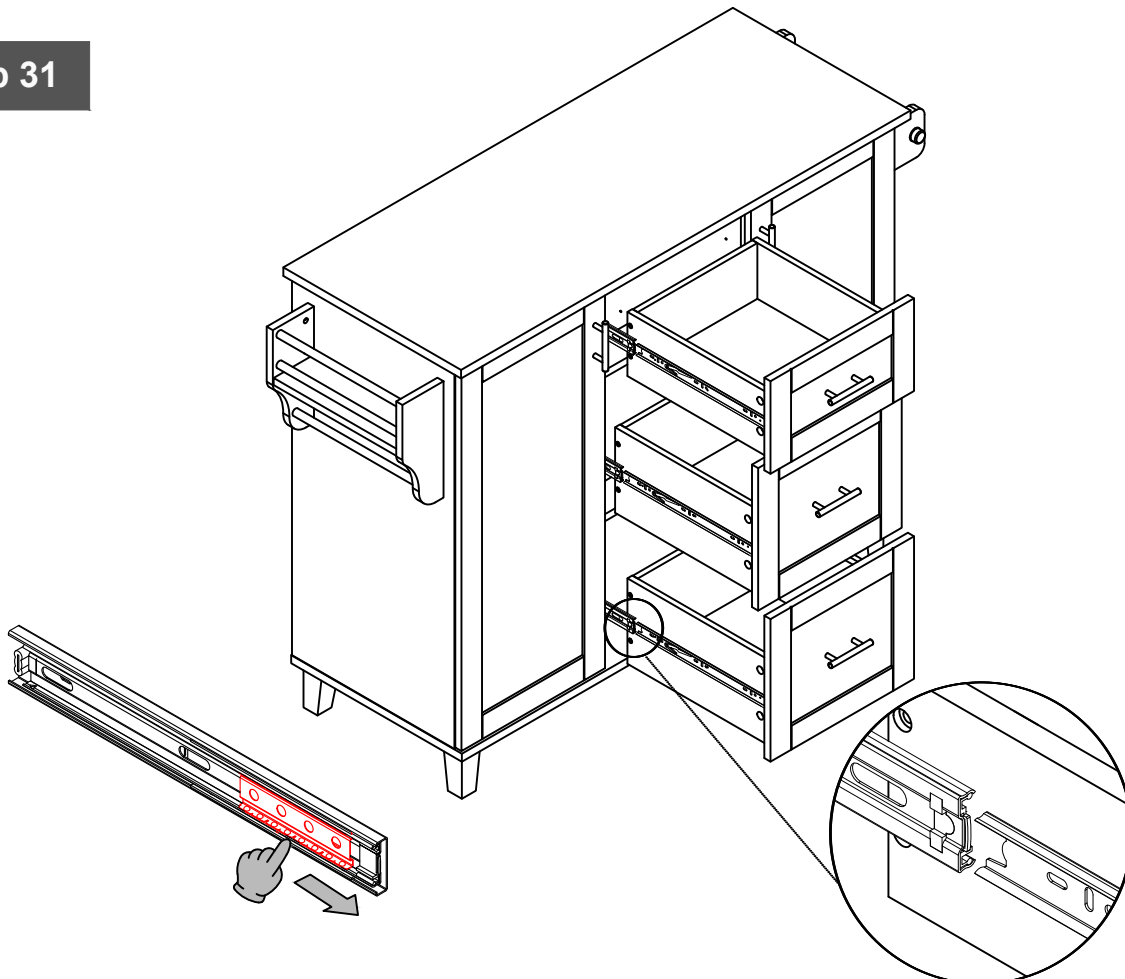


Assembly Instructions

Step 30

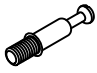

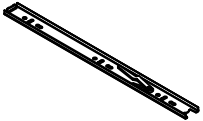


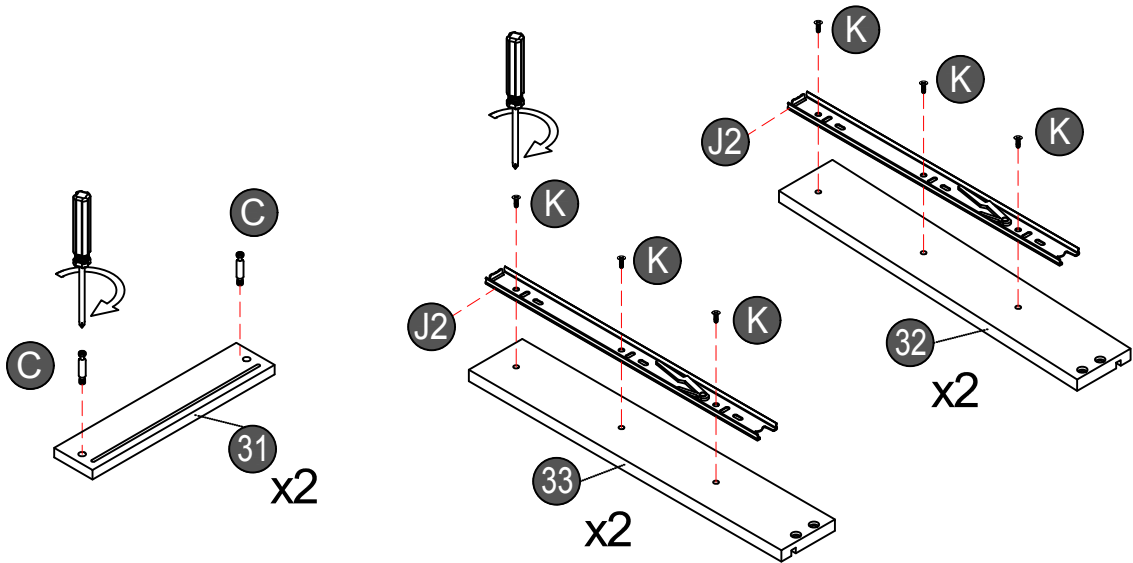
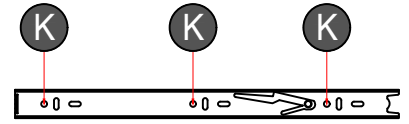
Step 31




Assembly Instructions

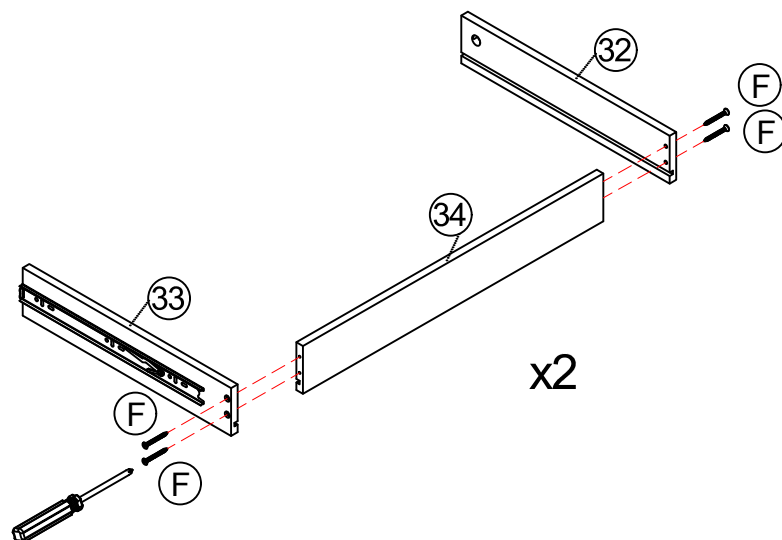
Step 32

| | | |
|--|---|---|
| C  Cam Bolt x4 | K  3.0*12mm Screw x12 | J2  Drawer slide 14" x4 |
|--|---|---|



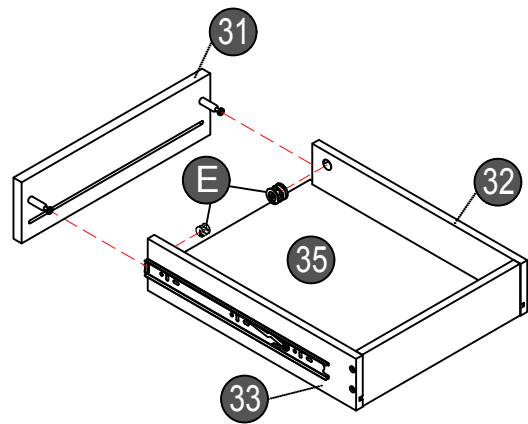
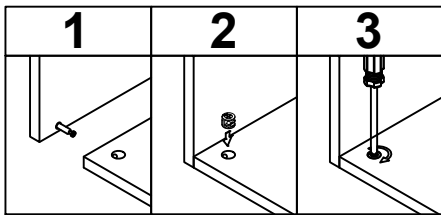
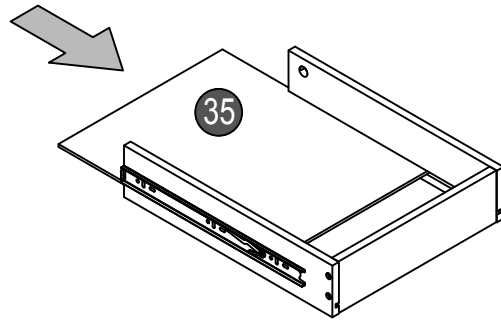
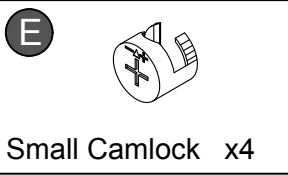
Step 33

| |
|--|
| F  4*35mm Screw x8 |
|--|

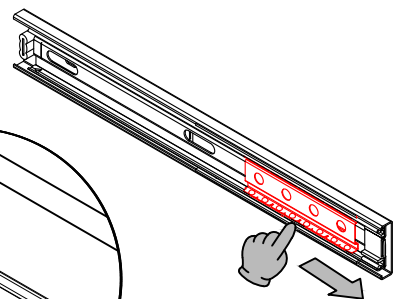
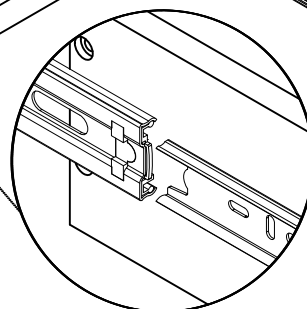
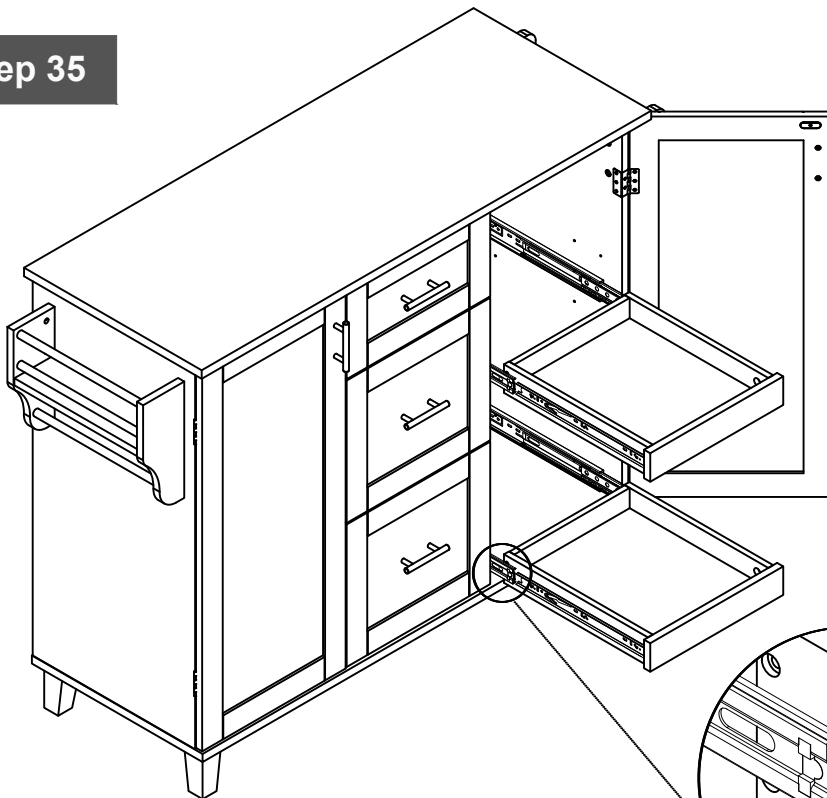


Assembly Instructions

Step 34



Step 35



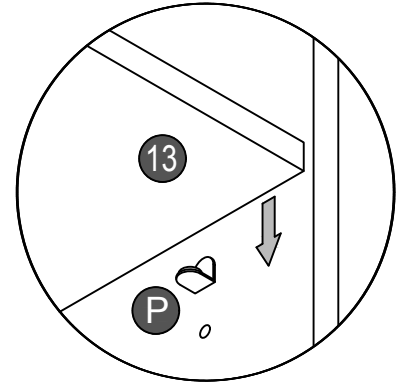
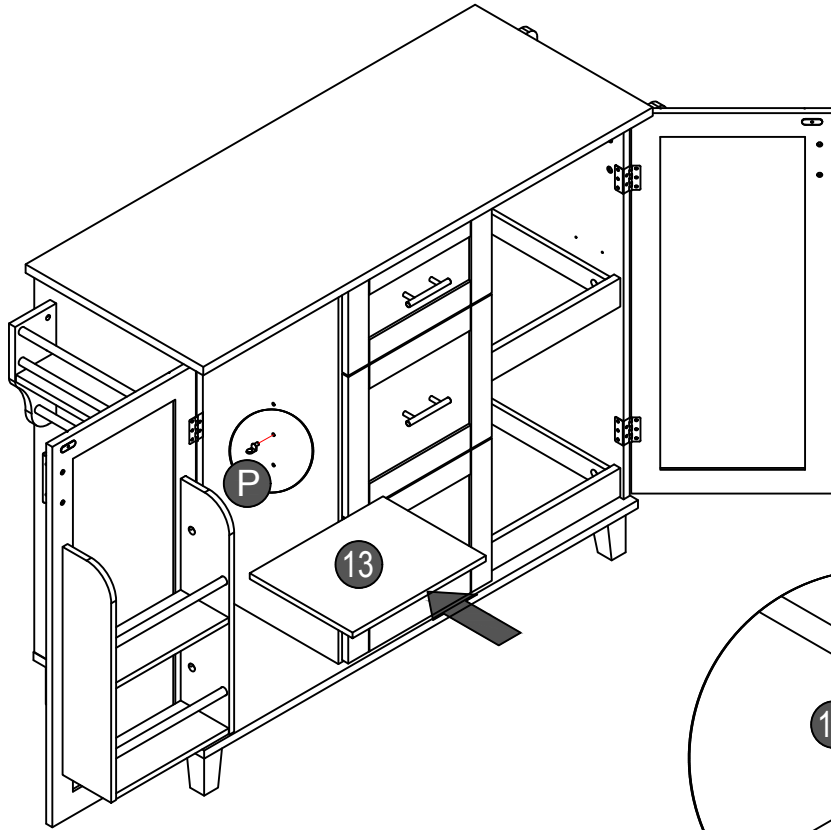
Assembly Instructions

Step 36

P



Shelf Support Pin x4



Step 23

