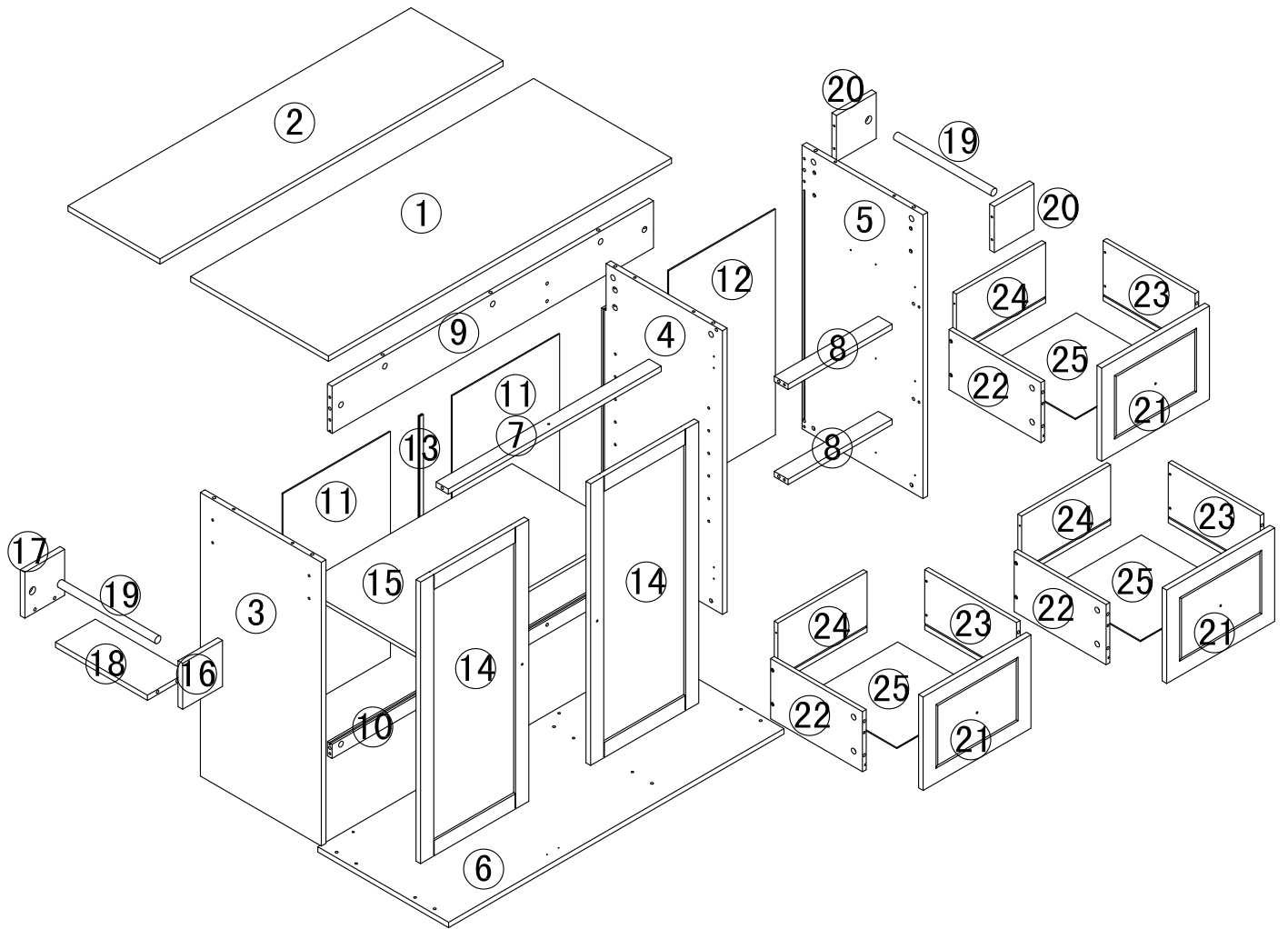
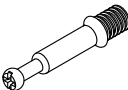

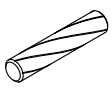
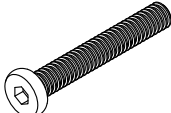



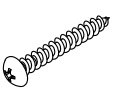
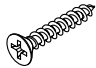
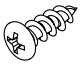
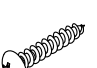





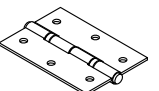
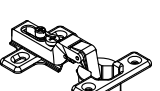
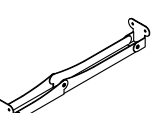
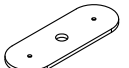
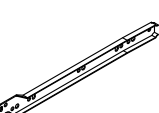
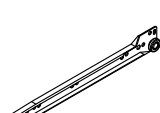
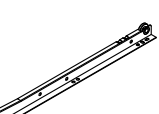
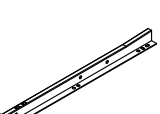

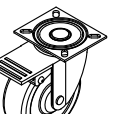




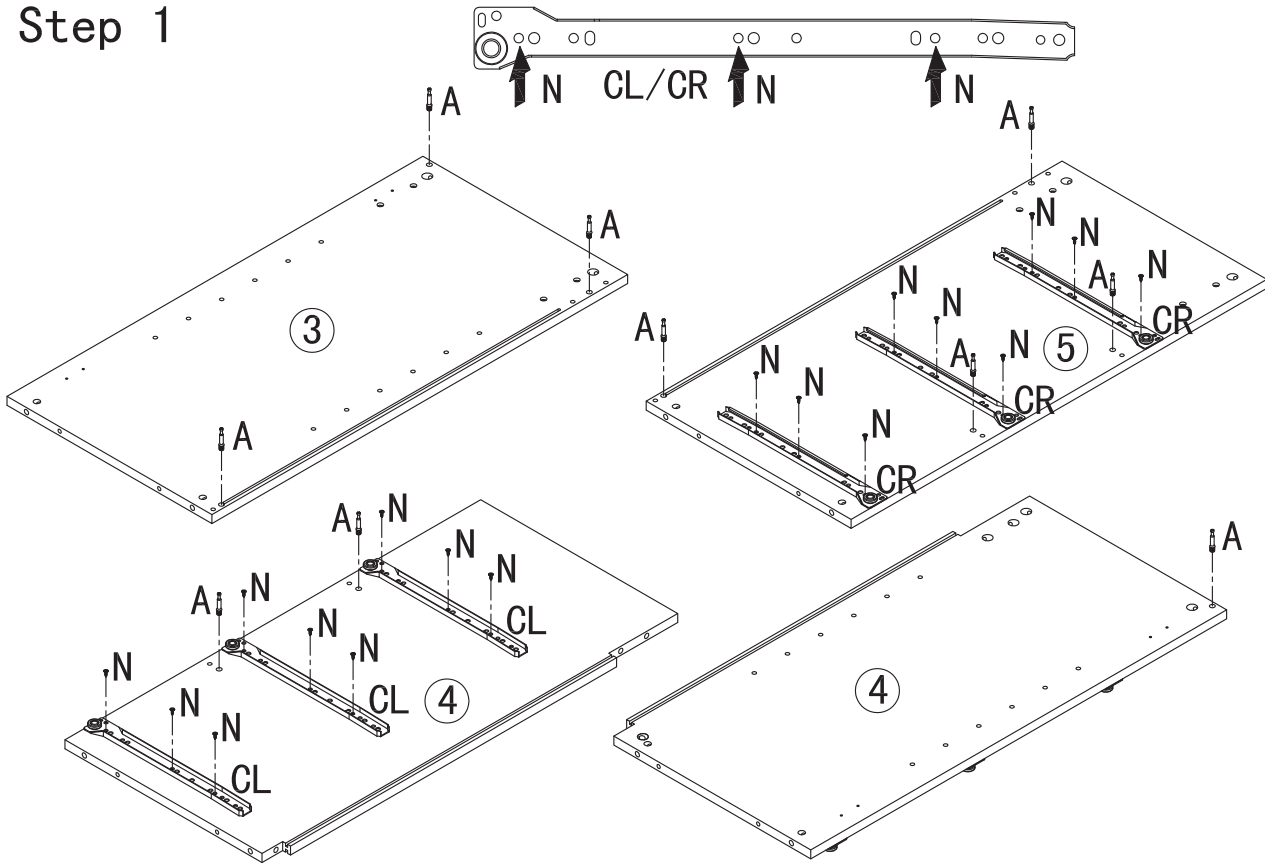
**SKU: WF287035**





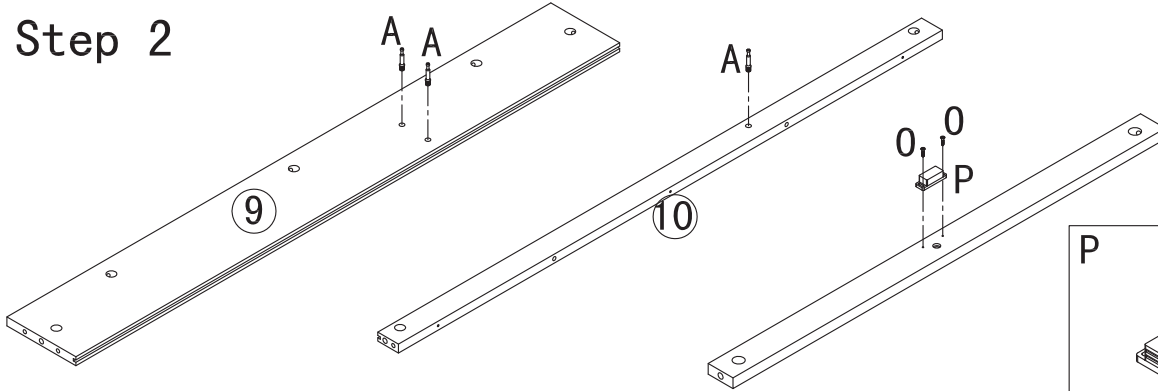
				<b>A</b> 38pcs	<b>B</b> 38pcs	<b>C</b> 30pcs	<b>D</b> 6pcs
							
<b>E</b> 6pcs	<b>F</b> 5pcs	<b>G</b> 5pcs	<b>H</b> 8pcs	<b>I</b> 15pcs	<b>J</b> 20pcs		
							
<b>K</b> 1pc	<b>L</b> 4pcs	<b>M</b> 20pcs	<b>N</b> 58pcs	<b>O</b> 18pcs	<b>P</b> 2pcs		
							
<b>Q</b> 3pcs	<b>R</b> 4pcs	<b>S</b> 1pc	<b>T</b> 4pcs	<b>CL</b> 3pcs	<b>CR</b> 3pcs		
							
<b>DL</b> 3pcs	<b>DR</b> 3pcs	<b>W</b> 3pcs	<b>U</b> 2pcs	<b>V</b> 1pc	<b>X</b> 14pcs		
							

# Step 1



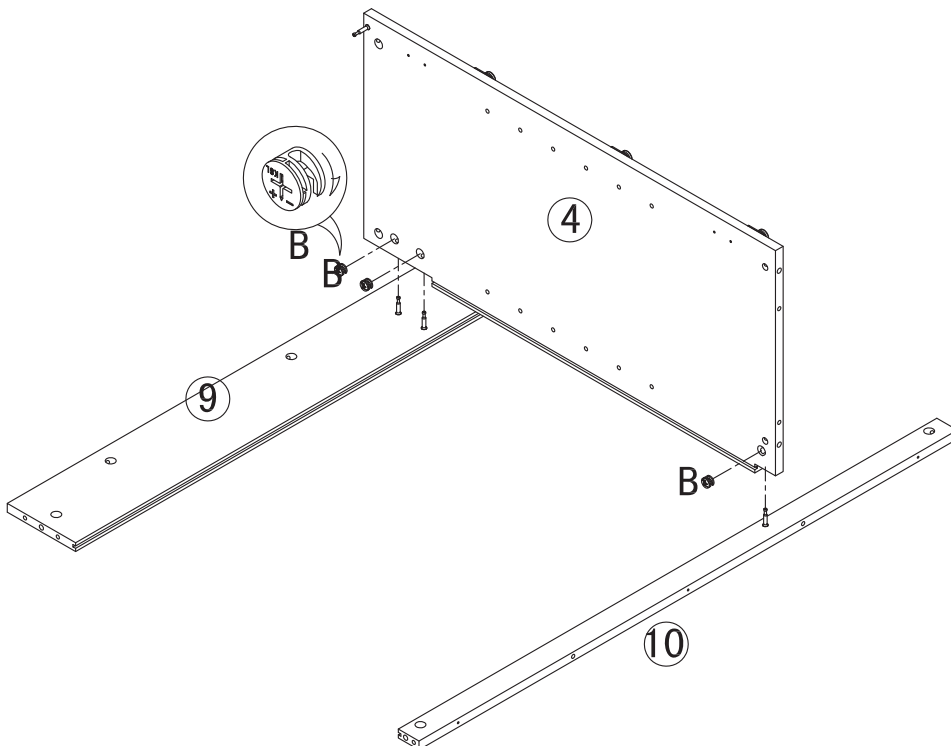
A	10pcs
N	18pcs
CL	3pcs
CR	3pcs

# Step 2



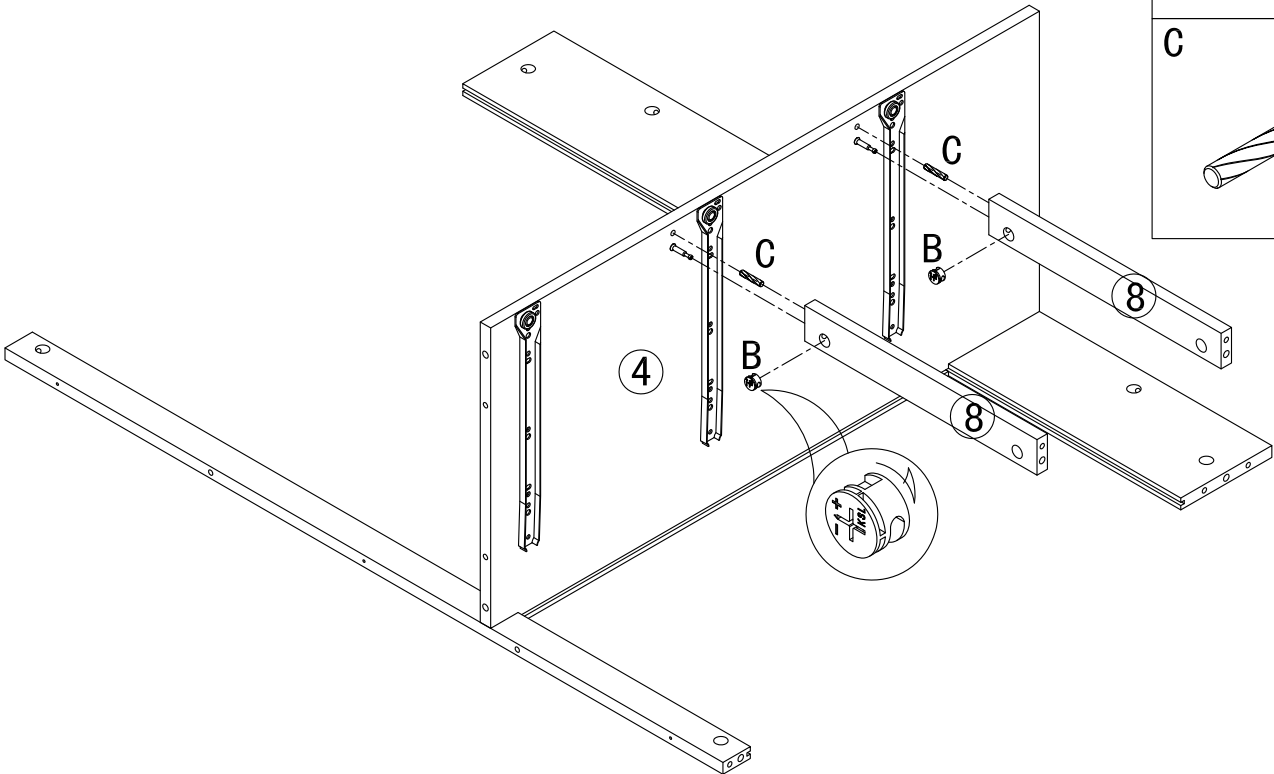
A	3pcs
P	1pc
O	2pcs

# Step 3

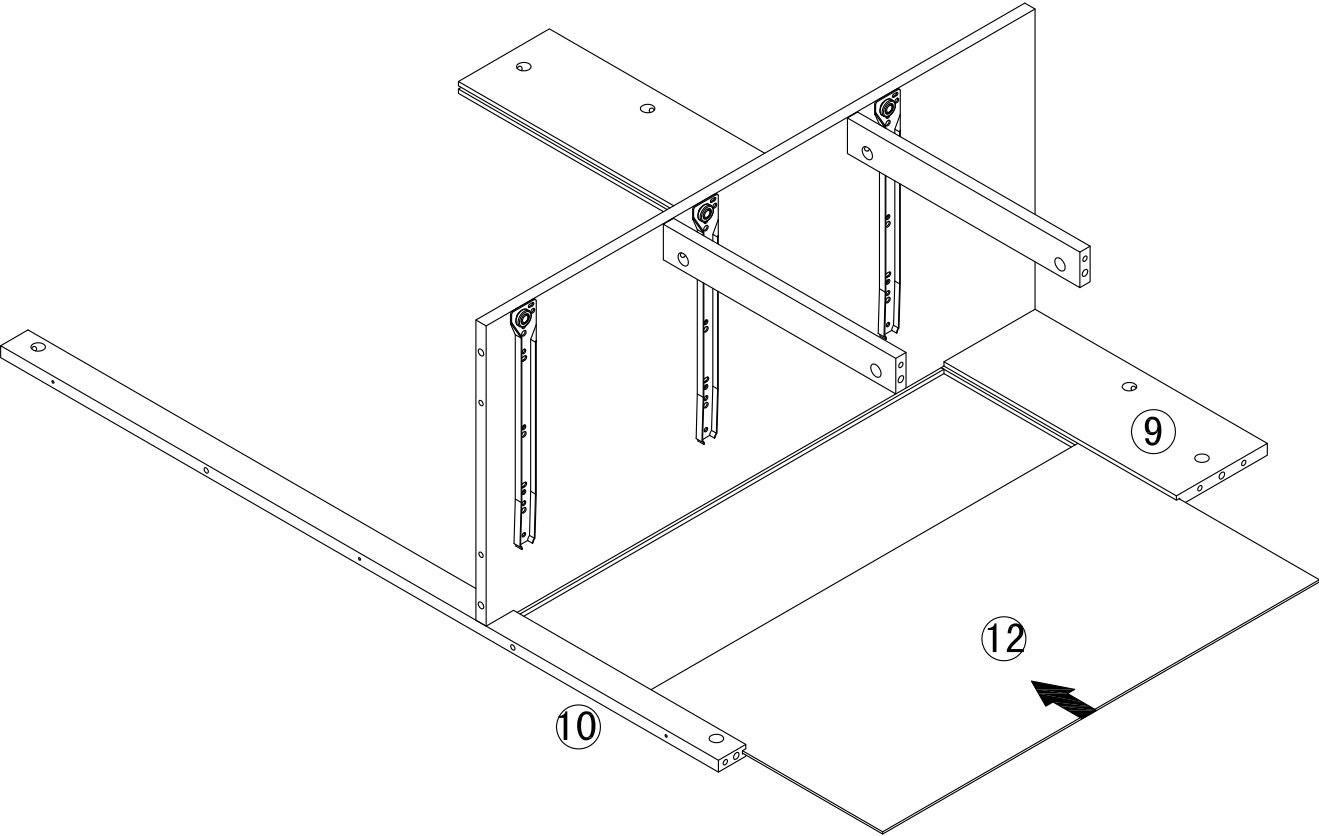


B	3pcs
---	------

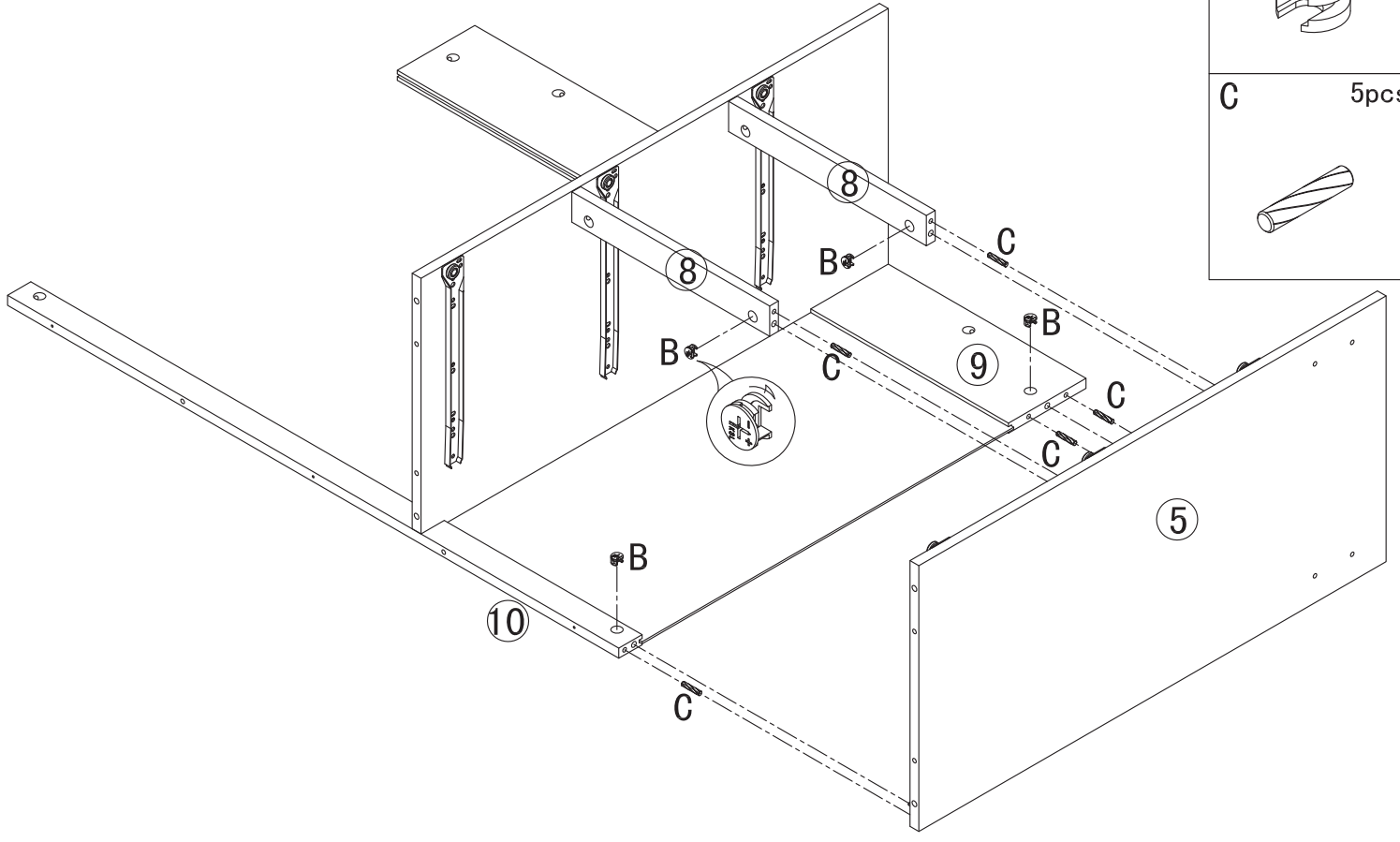
# Step 4

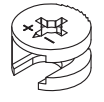
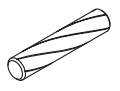


# Step 5

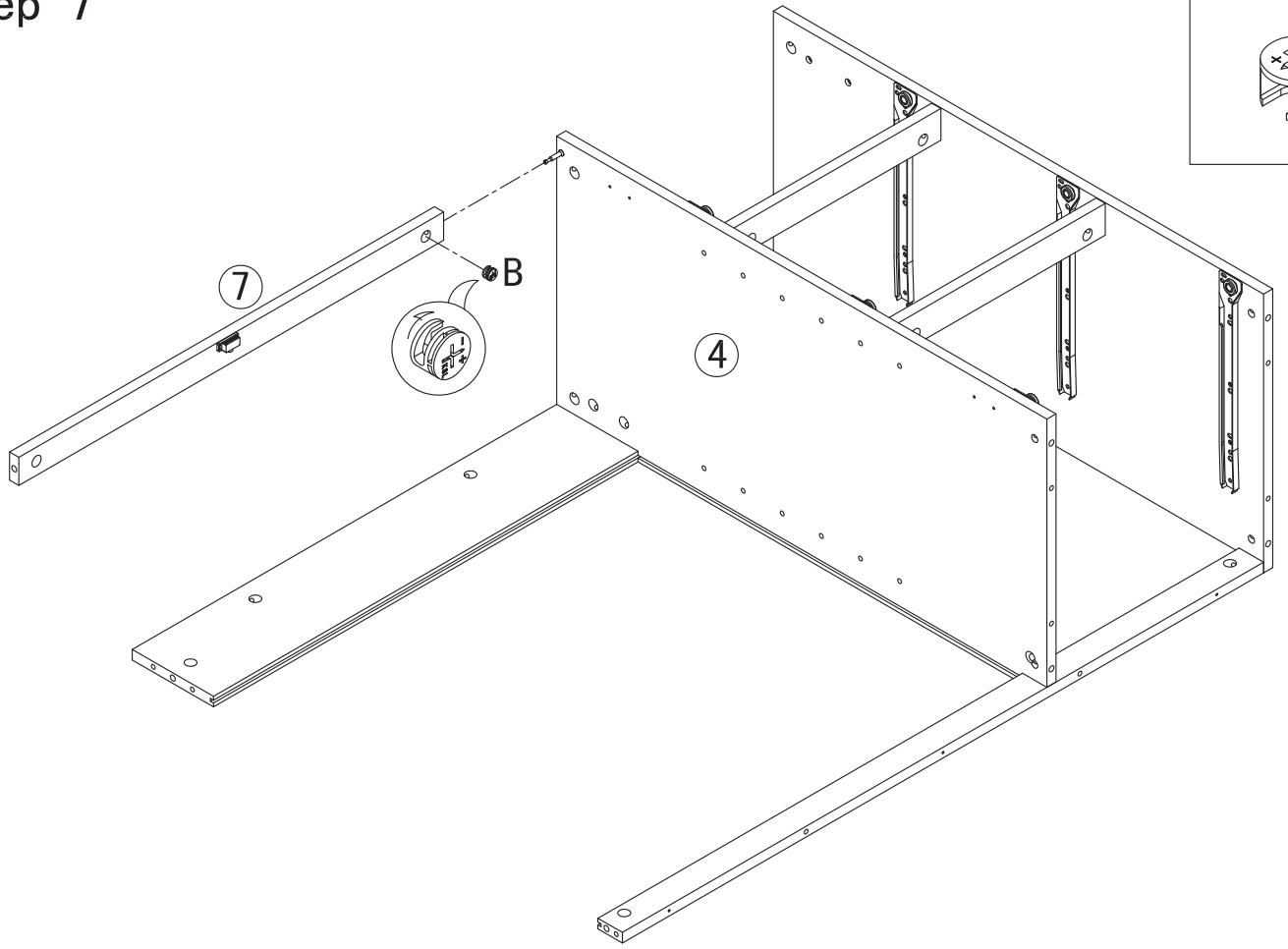


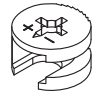
# Step 6



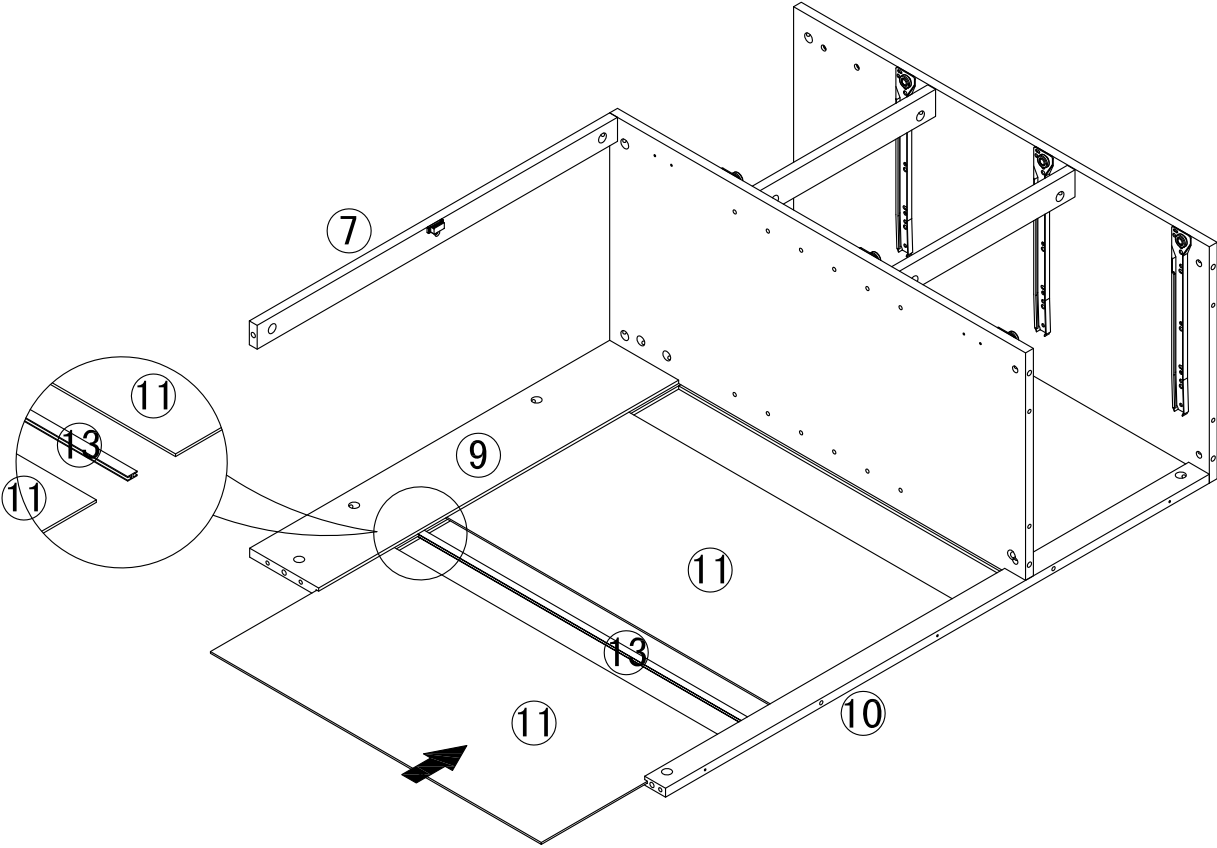
<b>B</b>	4pcs
	
<b>C</b>	5pcs
	

# Step 7

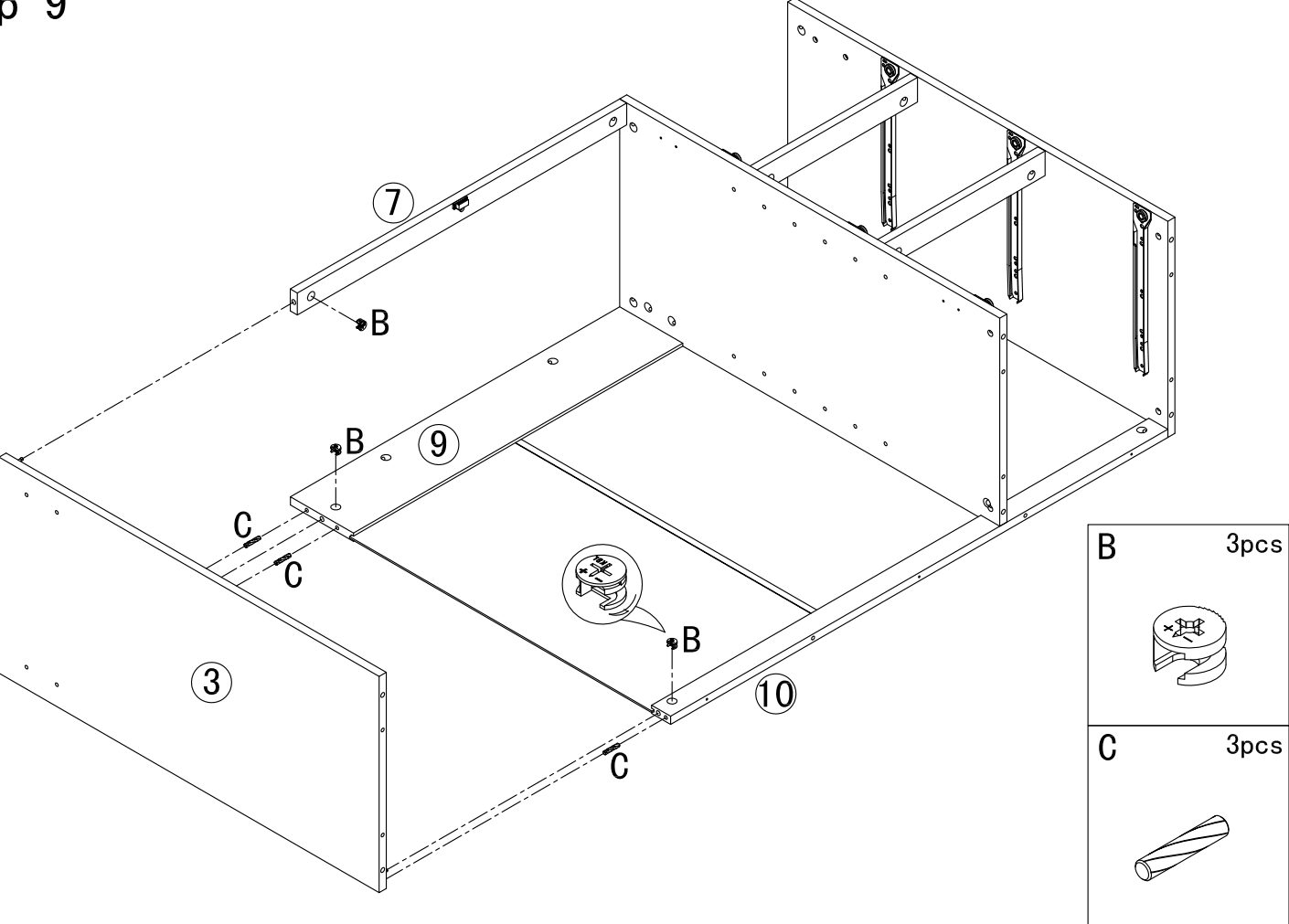


<b>B</b>	1pc
	

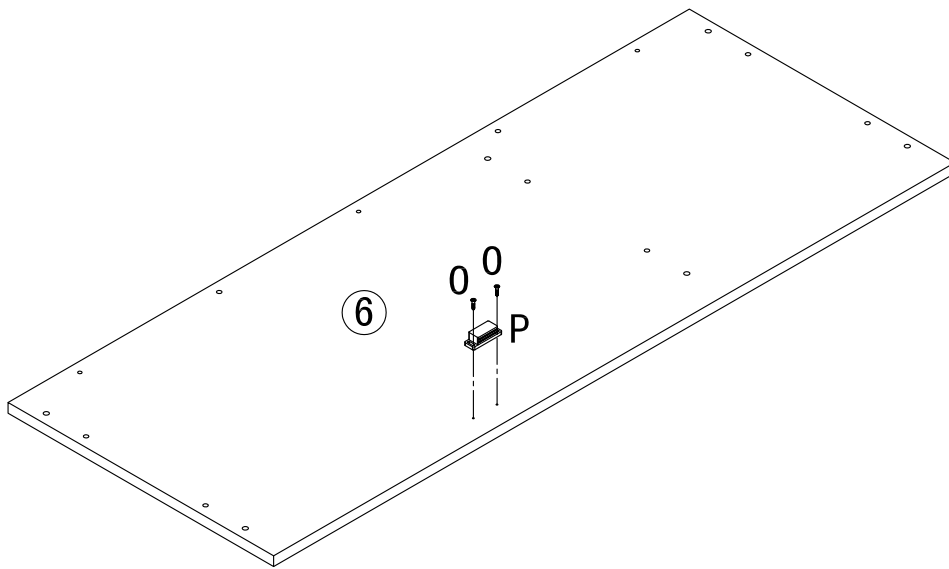
# Step 8

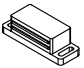
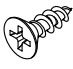


# Step 9

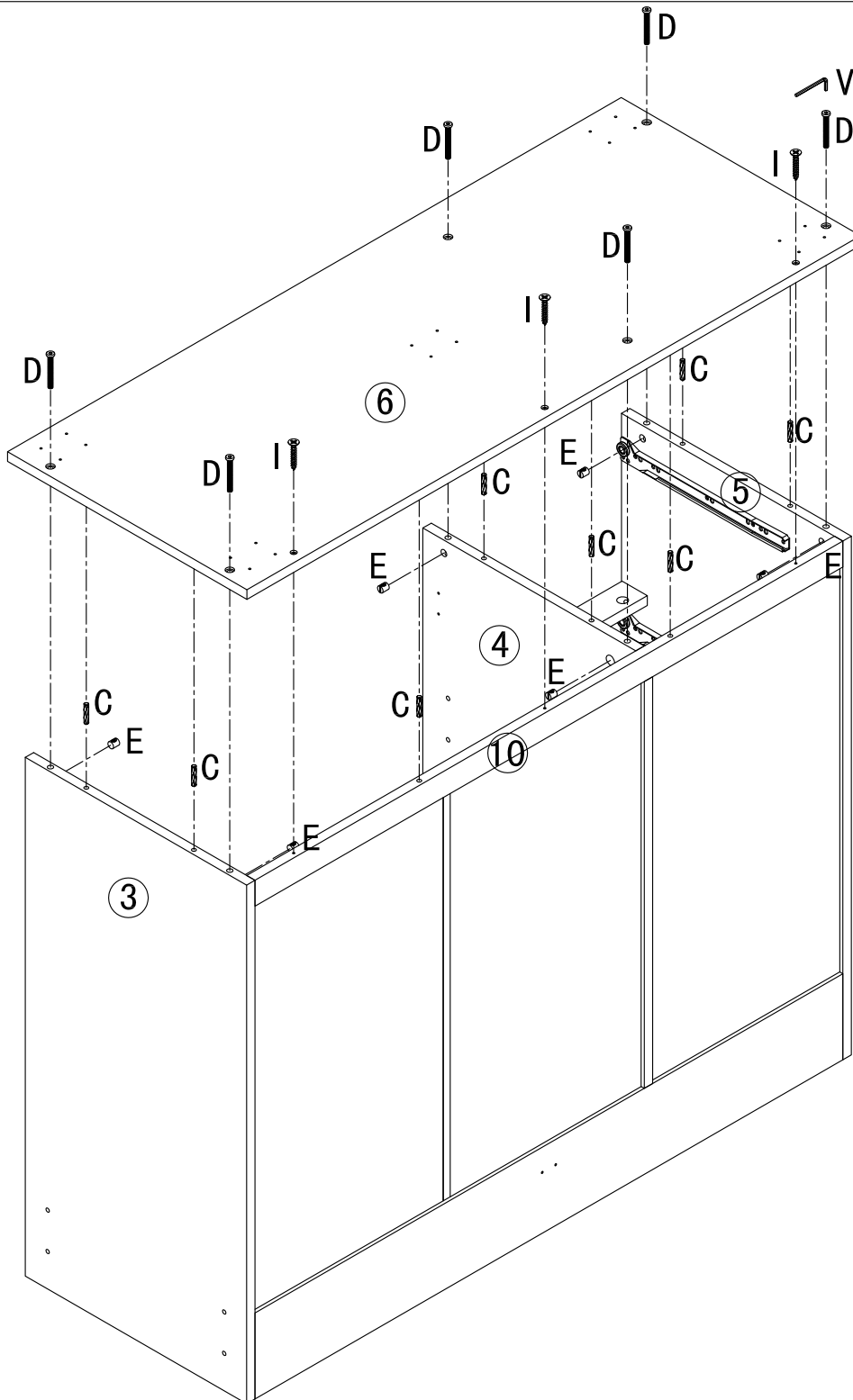


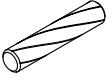
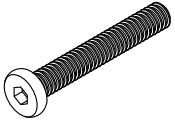

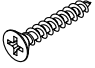

# Step 10



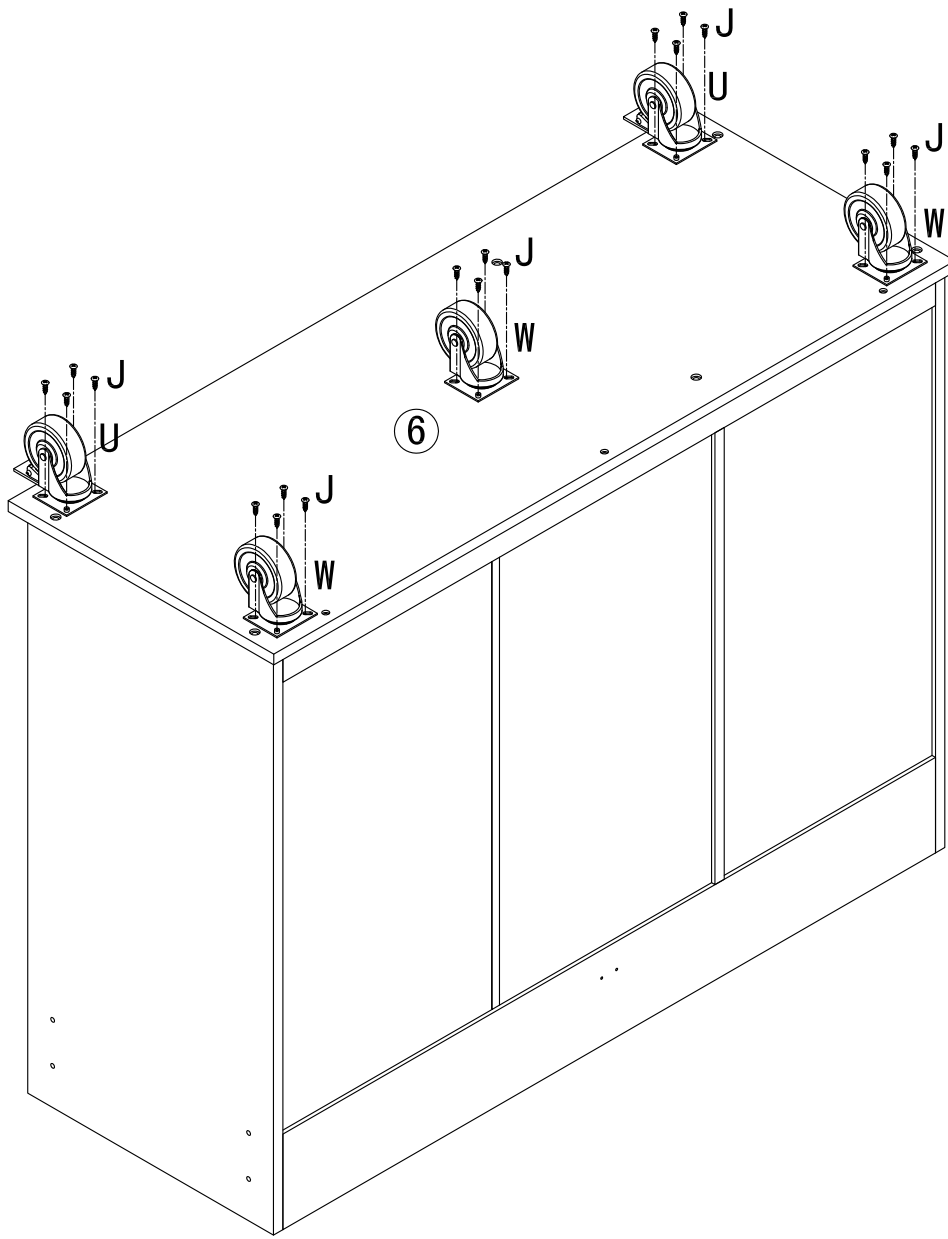
P	1pc
	
O	2pcs
	

# Step 11



C	8pcs
	
D	6pcs
	
E	6pcs
	
I	3pcs
	
V	1pc
	

# Step 12



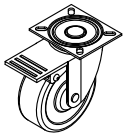
J 20pcs



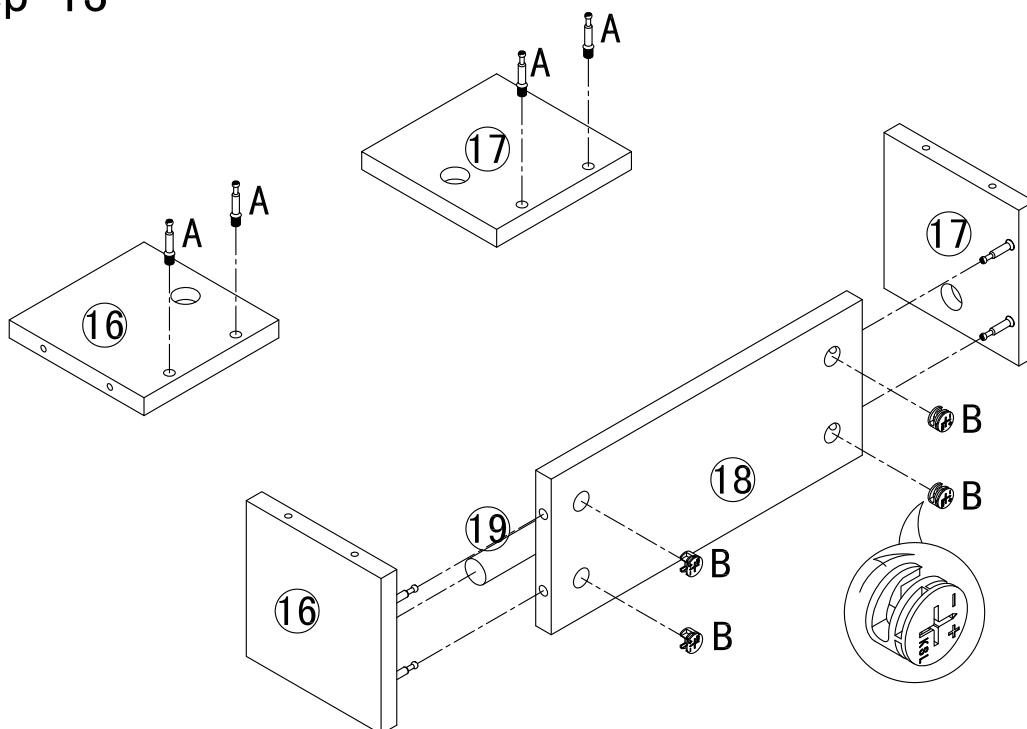
W 3pcs



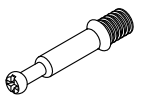
U 2pcs



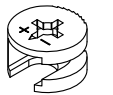
# Step 13



A 4pcs

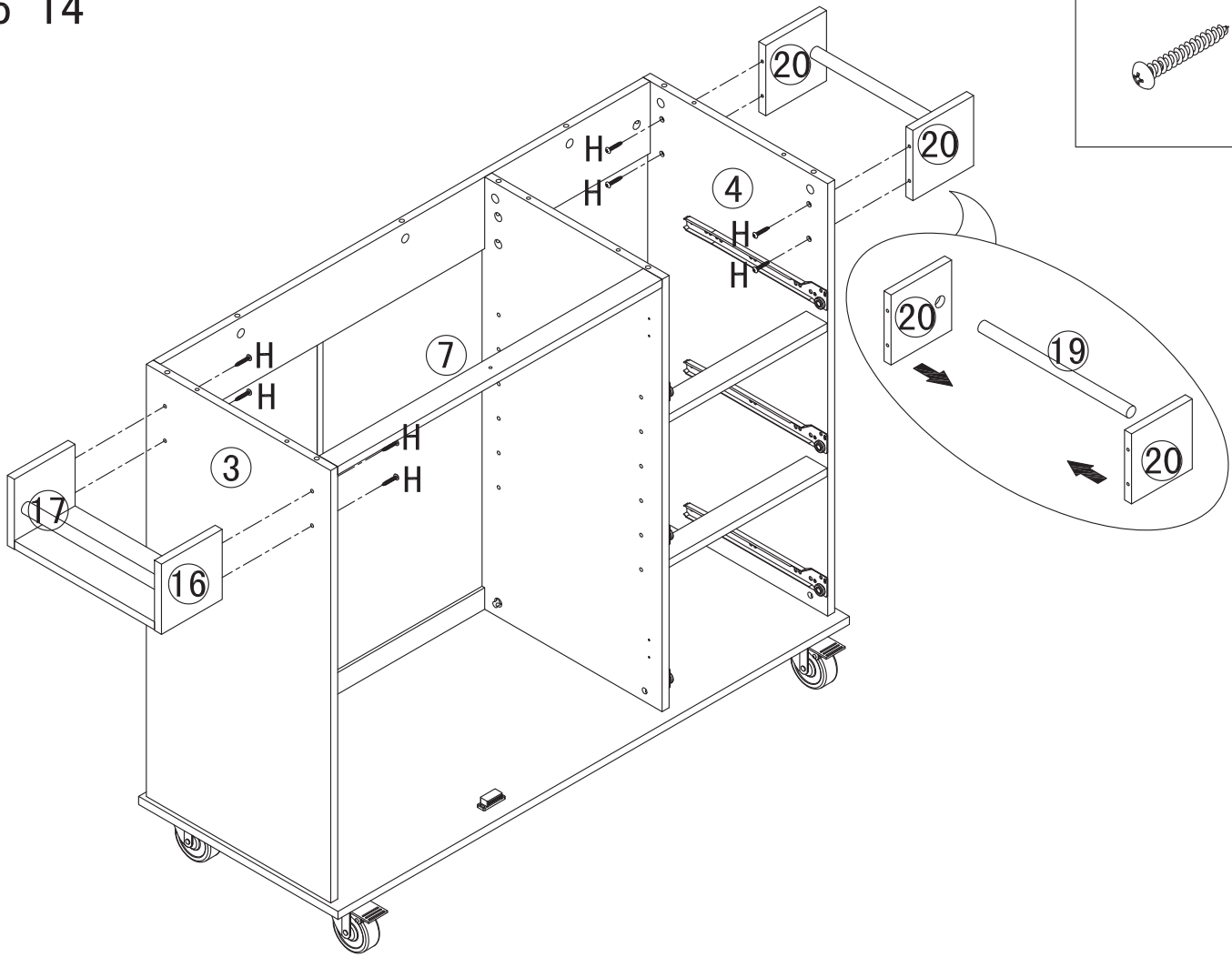


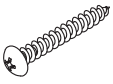
B 4pcs



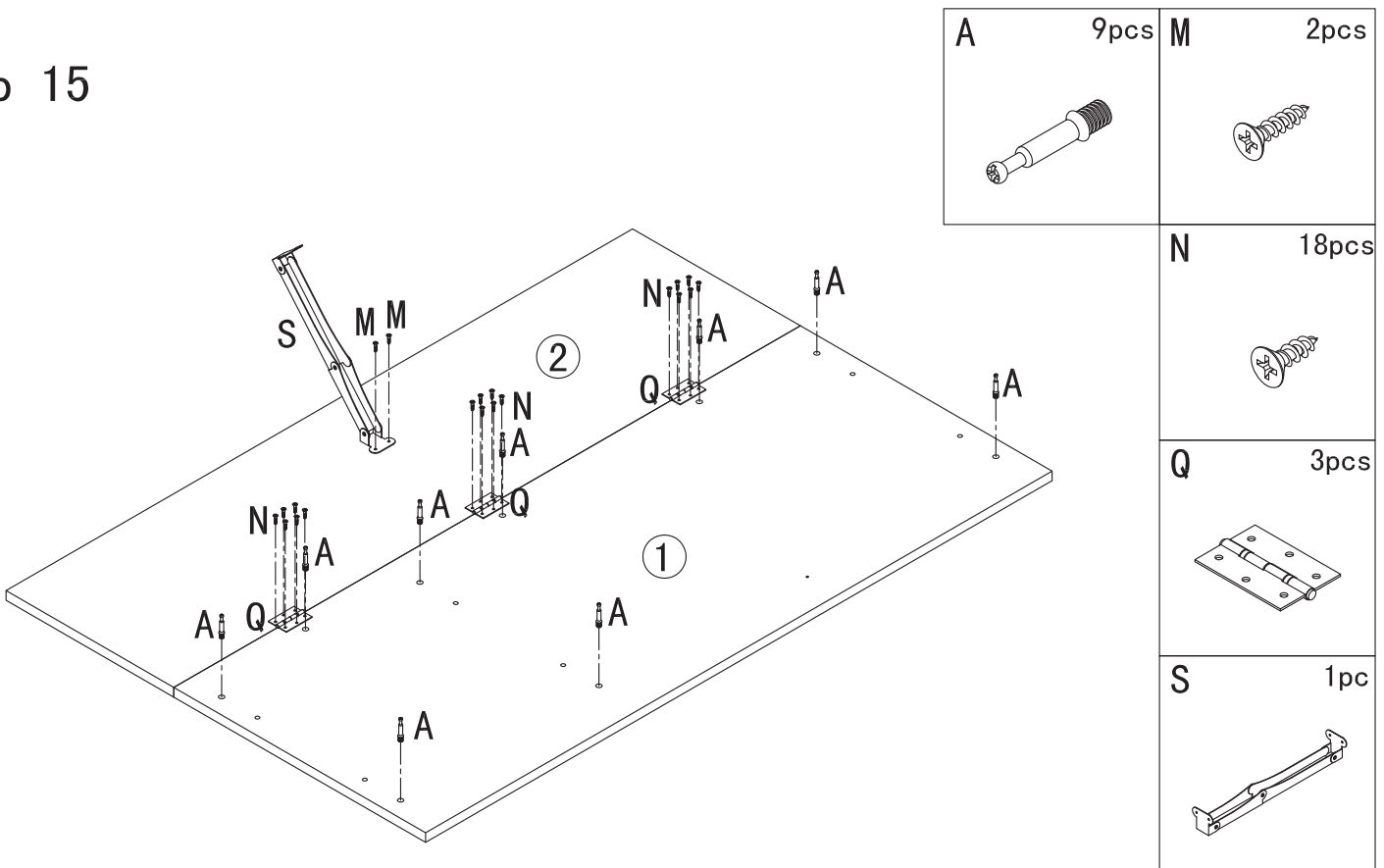


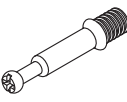
# Step 14

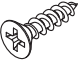



H	8pcs
	

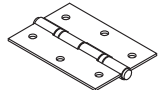
# Step 15

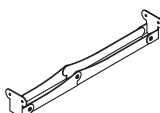


A	9pcs
	

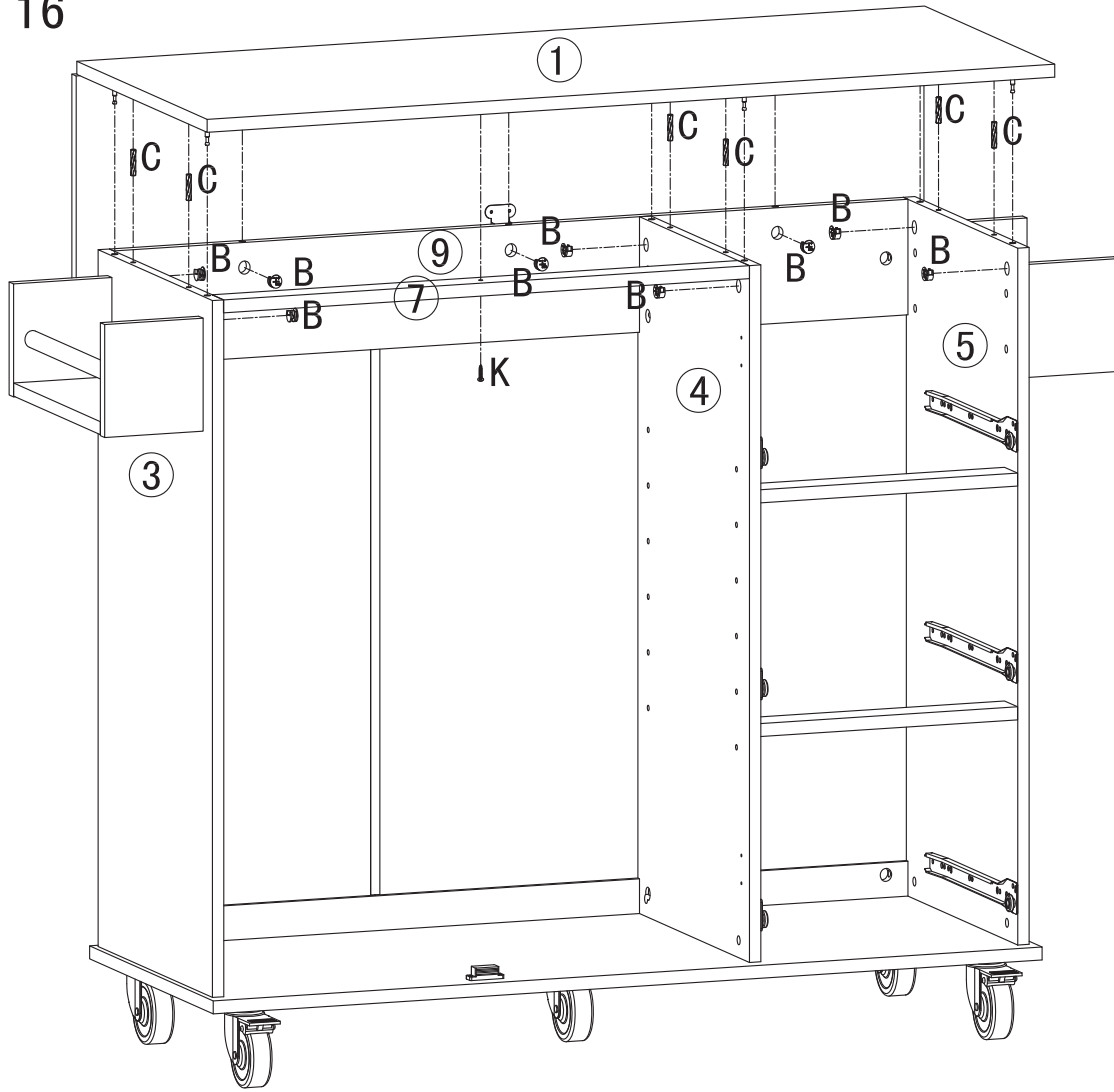
M	2pcs
	

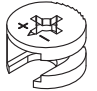
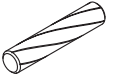
N	18pcs
	

Q	3pcs
	

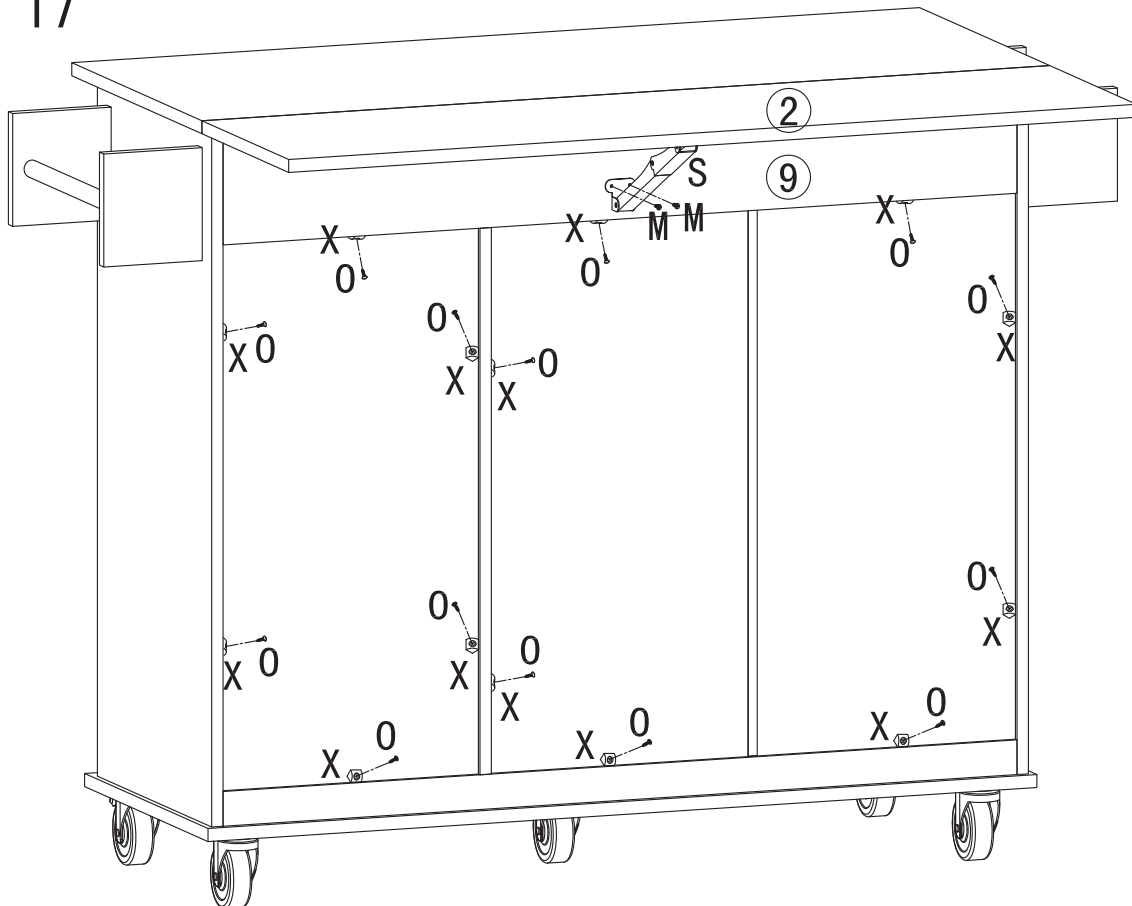
S	1pc
	

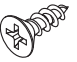
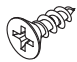

# Step 16



<b>B</b>	9pcs
	
<b>C</b>	6pcs
	

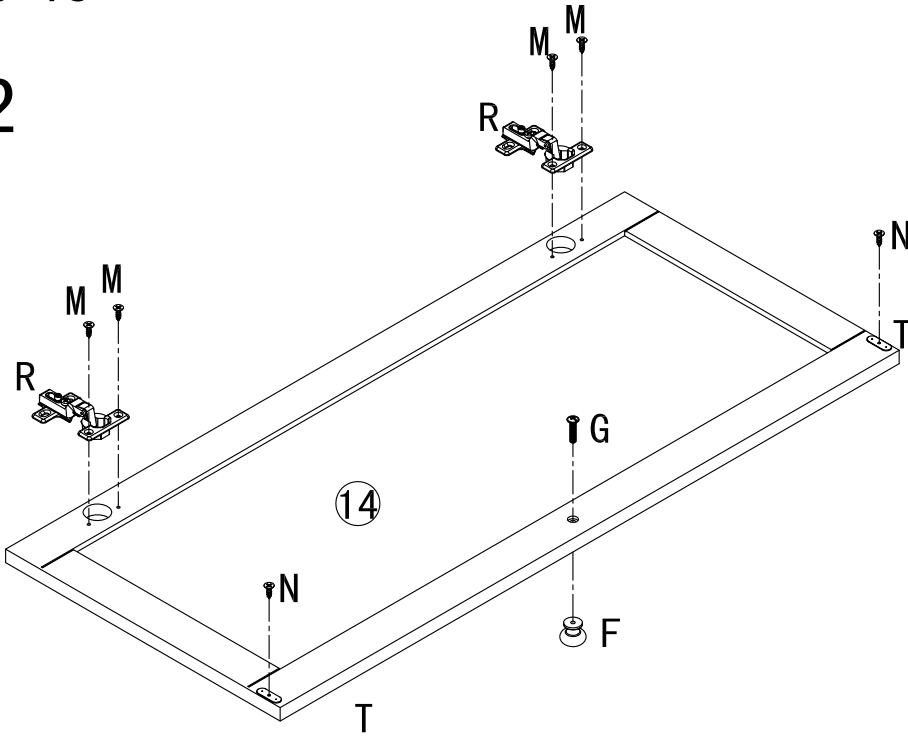
# Step 17



<b>M</b>	2pcs
	
<b>O</b>	14pcs
	
<b>X</b>	14pcs
	

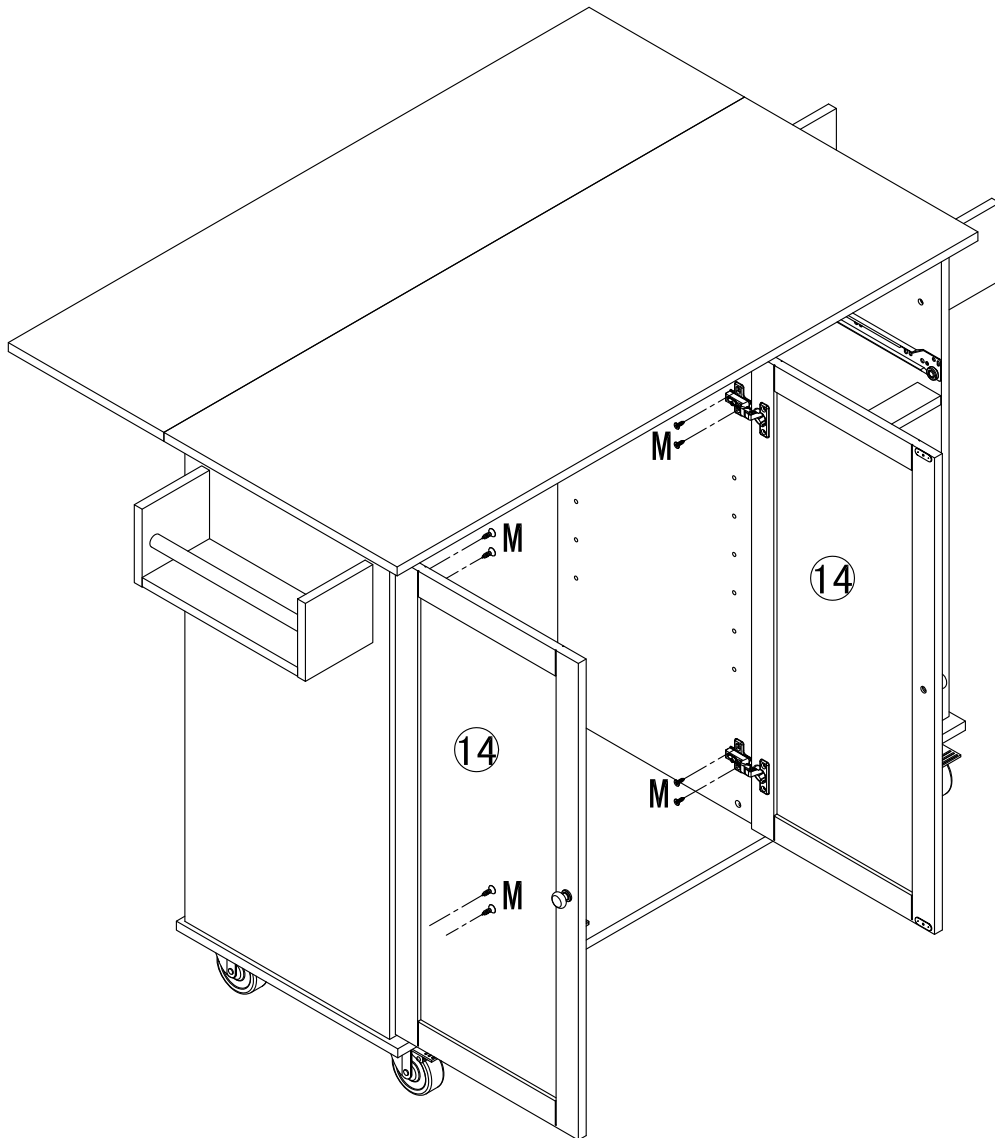
# Step 18

x2



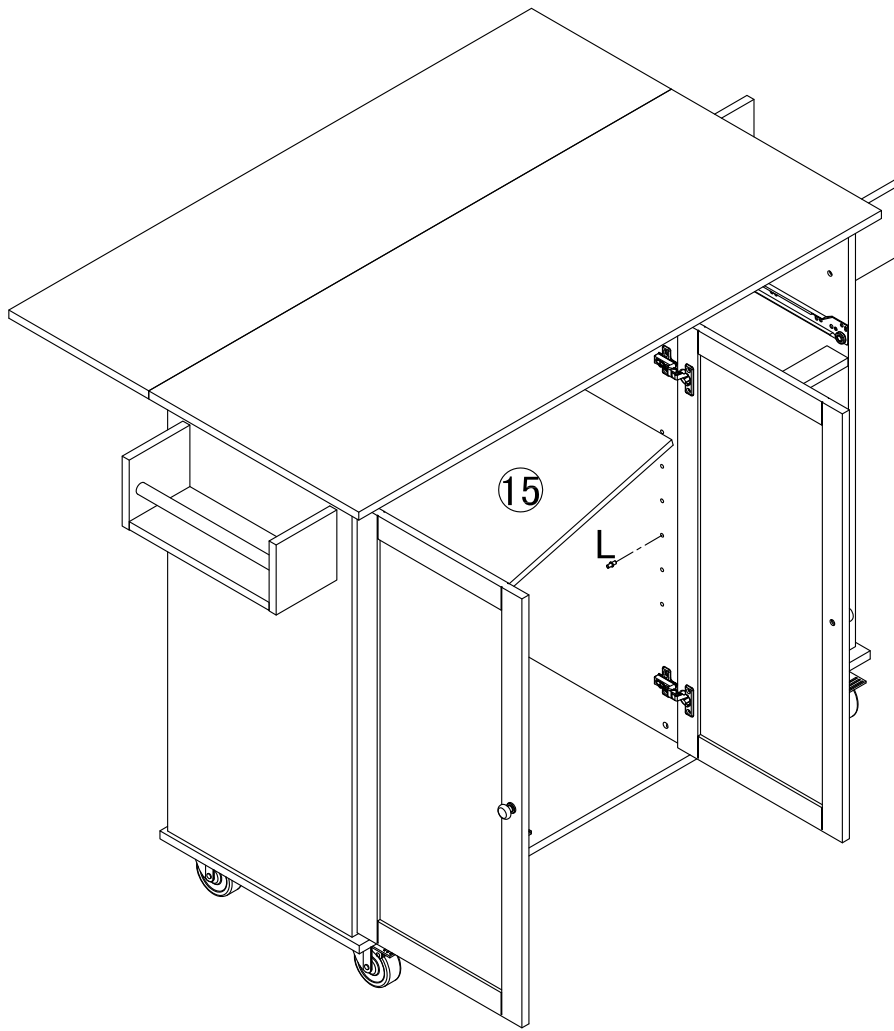
F	2pcs	G	2pcs
M	8pcs	N	4pcs
R	4pcs	T	4pcs

# Step 19



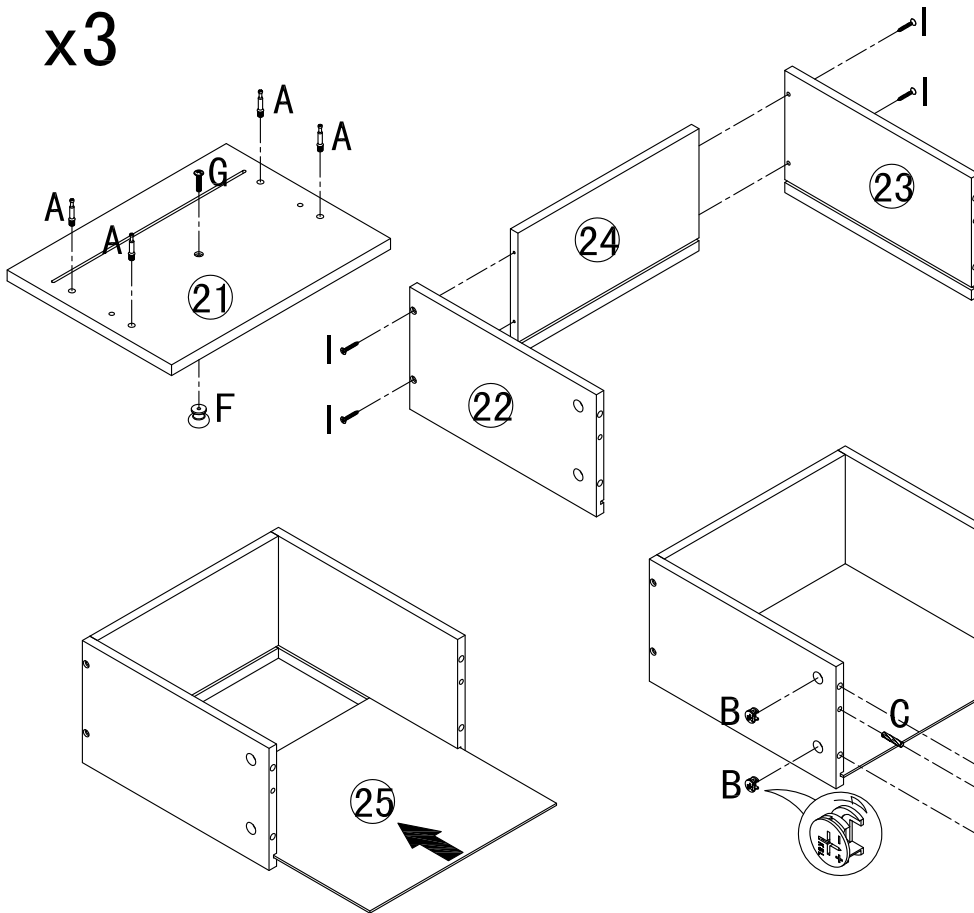
M	8pcs
---	------

# Step 20



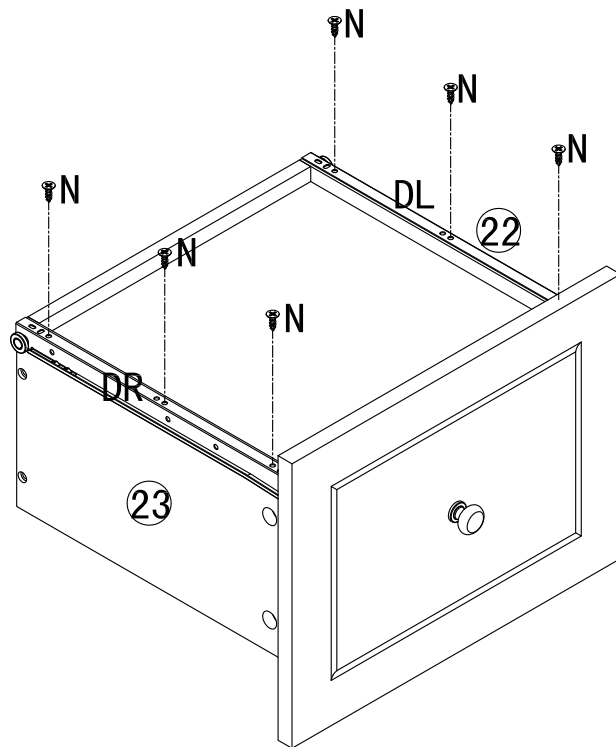
L	4pcs


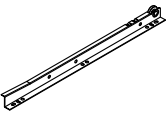
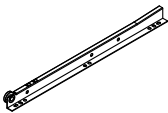
# Step 21 x3



A	12pcs	B	12pcs
F	3pcs	G	3pcs
		I	12pcs

# Step 22 x3



N	18pcs
	
DL	3pcs
	
DR	3pcs
	

# Step 23

