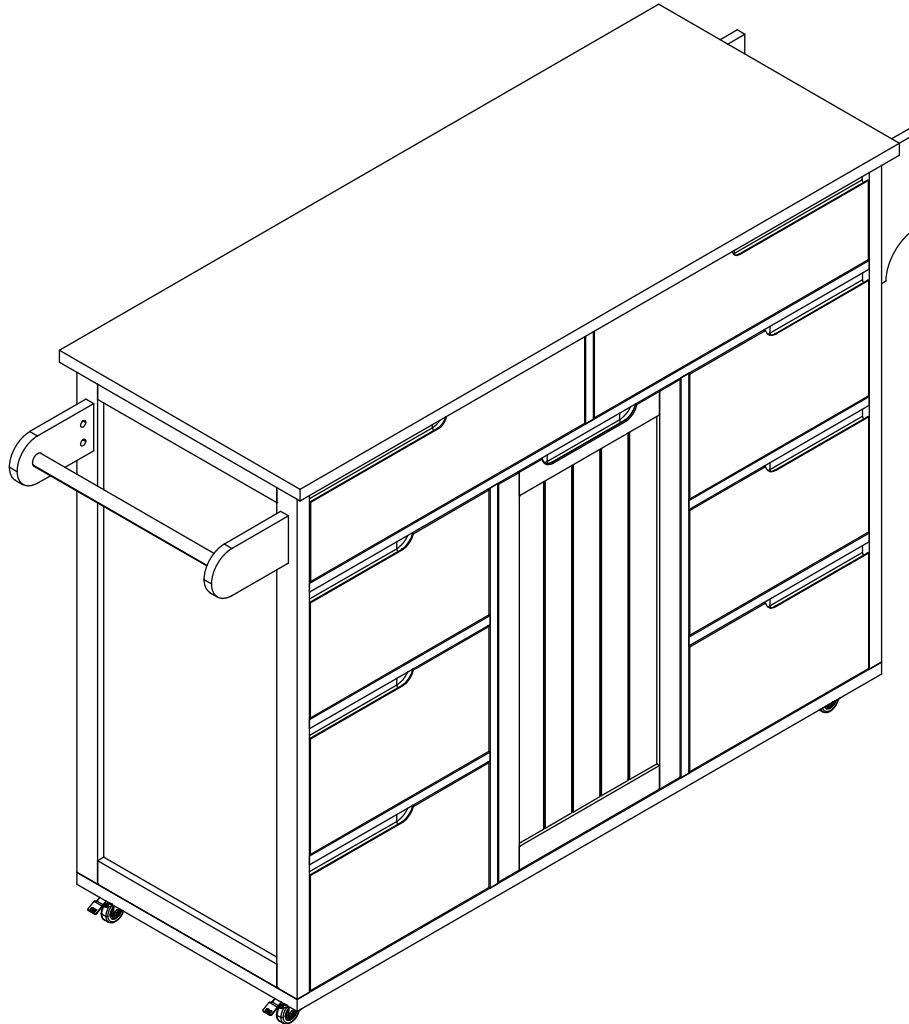


Kitchen Island Carts

Assembly Instructions - Please keep for future reference

WF299132
WF299133



Dimensions

Width-53.54inch

Depth-18.5inch

Height-37inch

Important – Please read these instructions fully before starting assembly

Issue 1 - 05/12/22



Safety and Care Advice

Important – Please read these instructions fully before starting assembly

- Check you have all the components and tools listed on the following pages.
- Remove all fittings from the plastic bags and separate them into their groups.
- Keep children and animals away from the work area, small parts could choke if swallowed.
- Make sure you have enough space to layout the parts before starting.

- During assembly do not stand or put weight on the product, this could cause damage.
- Assemble the item as close to its final position (in the same room) as possible.
- Assemble on a soft level surface to avoid damaging the unit or your floor.
- Parts of the assembly will be easier with 2 people.



- To reduce the likelihood of damaging your product please ensure that your power drill is set on a low torque setting.

Care and maintenance

- Only clean using a damp cloth and mild detergent, do not use bleach or abrasive cleaners.
- From time to time check that there are no loose screws on this unit.
- This product should not be discarded with household waste. Take to your local authority waste disposal centre.

Handy Hints

- Assemble all parts and bolts loosely during assembly, only once the product is complete should you fully tighten the bolts
- Regularly check and ensure That all bolts and fittings are tightend properly.

WARNING In order to help prevent overturning – please follow these instructions

To help prevent product toppling over please follow the below steps:-

Use the anti tip stap or wall fixing method provided (if applicable)
Do not allow children to climb or hang on the furniture
Do not open more than one drawer at a time
Do not place heavy items in the top drawers
Do not place heavy items on top of the furniture, unless the furniture has been designed for this purpose

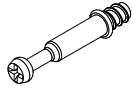

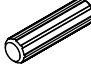



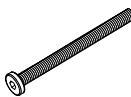

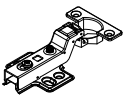

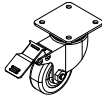
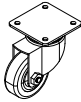


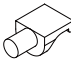








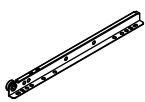
Please note that only the anti tip strap is provided.

You will need to provide wall plugs and screws applicable for your wall type

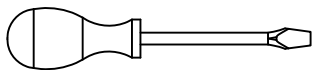
Components - Fittings

Please check you have all the panels listed below

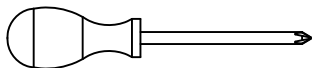
Note: The quantities below are the correct amount to complete the assembly. In some cases more fittings may be supplied than are required.

 (A) Cam Bolt x 52	 (B) Cam lock x 52	 (C) Dowel x 36	 (D) 4*30mm Screw x 32
 (E) 4*25mm Screw x 4	 (F) 4*35mm Screw x 14	 (G) 6*50mm Screw x 8	 (H) Vertical nut x 8
 (I) Hinge x 2	 (J) 3.5*12mm Screw x 28	 (K) Locking caster x 2	 (L) Caster x 3
 (M) 6*14mm Screw x 20	 (N) Allen key x 1	 (O) Shelf support pin x 4	 (P) 3*25mm Screw x 8
 (Q) Colloidal particles x 1	 (R) 3*12mm Screw x 72	 (S) 380mm Drawer slide x 4	 (T) Hole to stick x 40
 (CL) 350mm runner x 6	 (CR) 350mm runner x 6	 (DL) 350mm runner x 6	 (DR) 350mm runner x 6

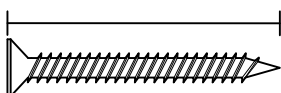
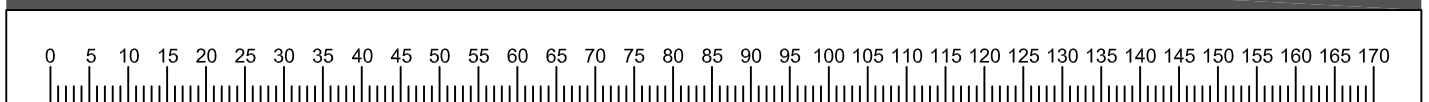
Tools required



Phillips screwdriver
(medium & large)



Ruler - Use this ruler to help correctly identify the screws



The screws length is measured from the head to the point (35mm screw shown).

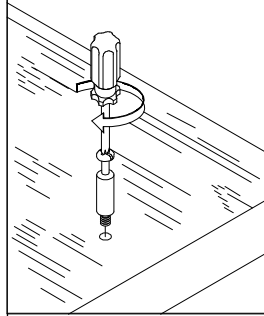
Using Camlocks

Step 1

Connect the male camlock as directed in the assembly instructions using a screwdriver.

1

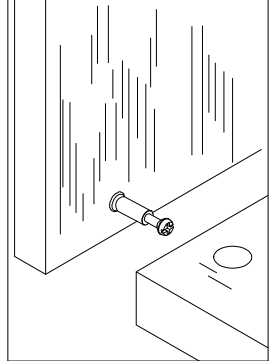
DO NOT OVER TIGHTEN.
NE PAS SERRER EXCESSIVEMENT.



Step 2

Push the male camlock into the entry hole.

2

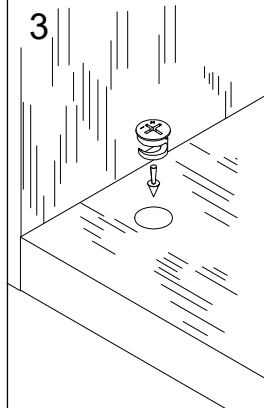


Step 3

Insert the female camlock as shown in the instruction.

Note: ensure that the arrow on the top of the camlock points towards the entry hole for the male camlock.

3



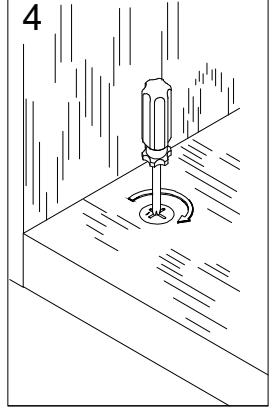
Step 4

Turn the female camlock clockwise with a screwdriver.

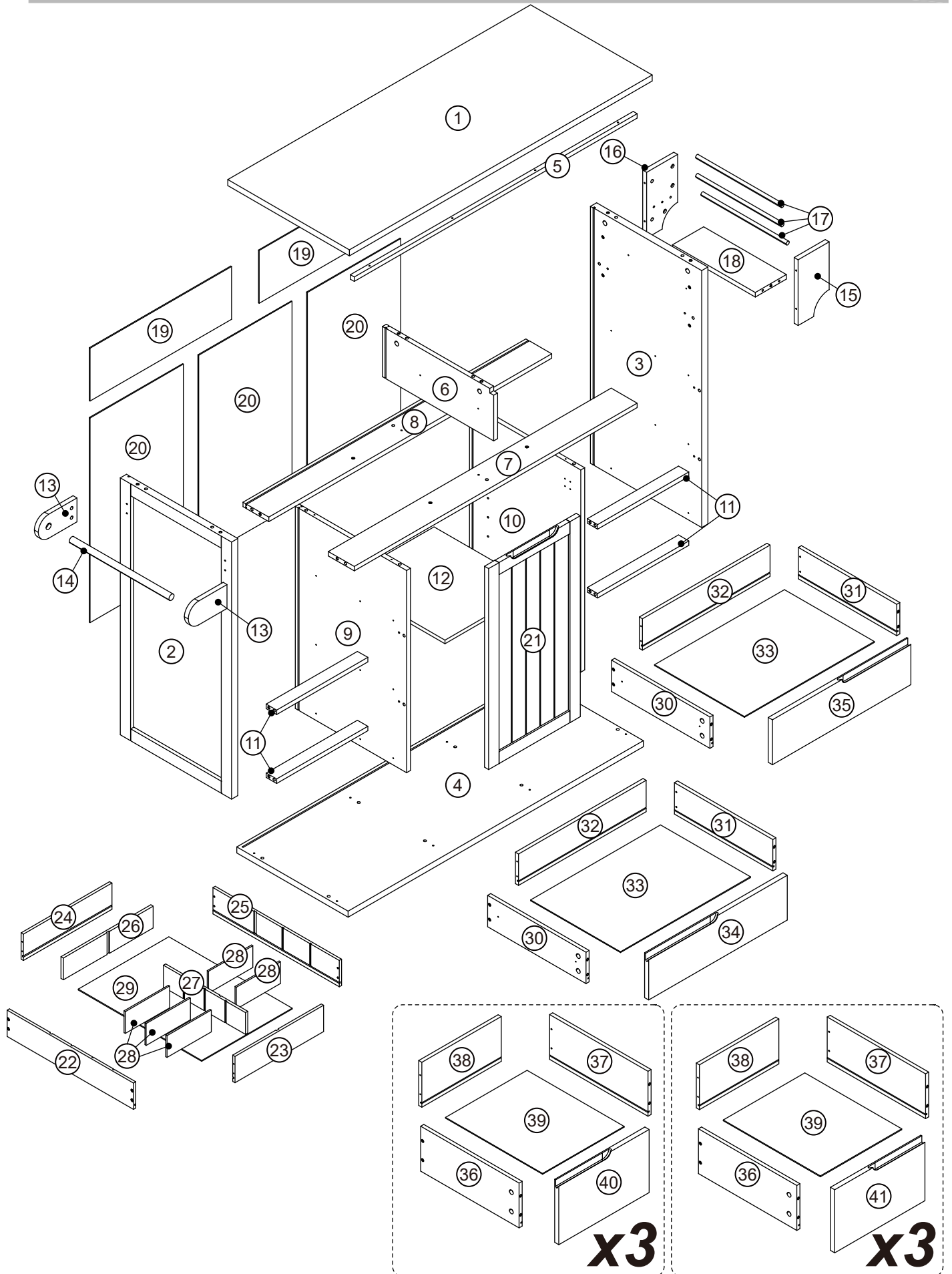
You should feel a click when the camlock is locked in place.

The joint is now secure.

4

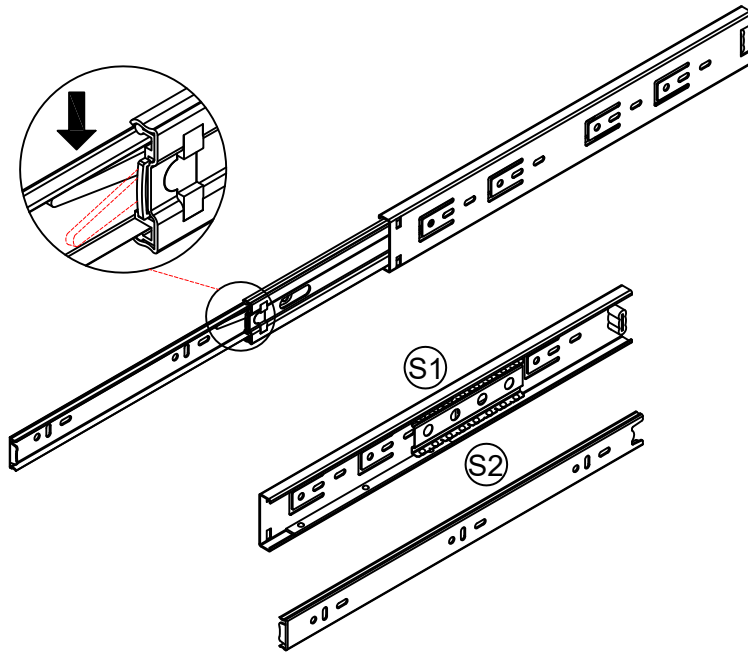


Assembly Instructions



Assembly Instructions

Step 1

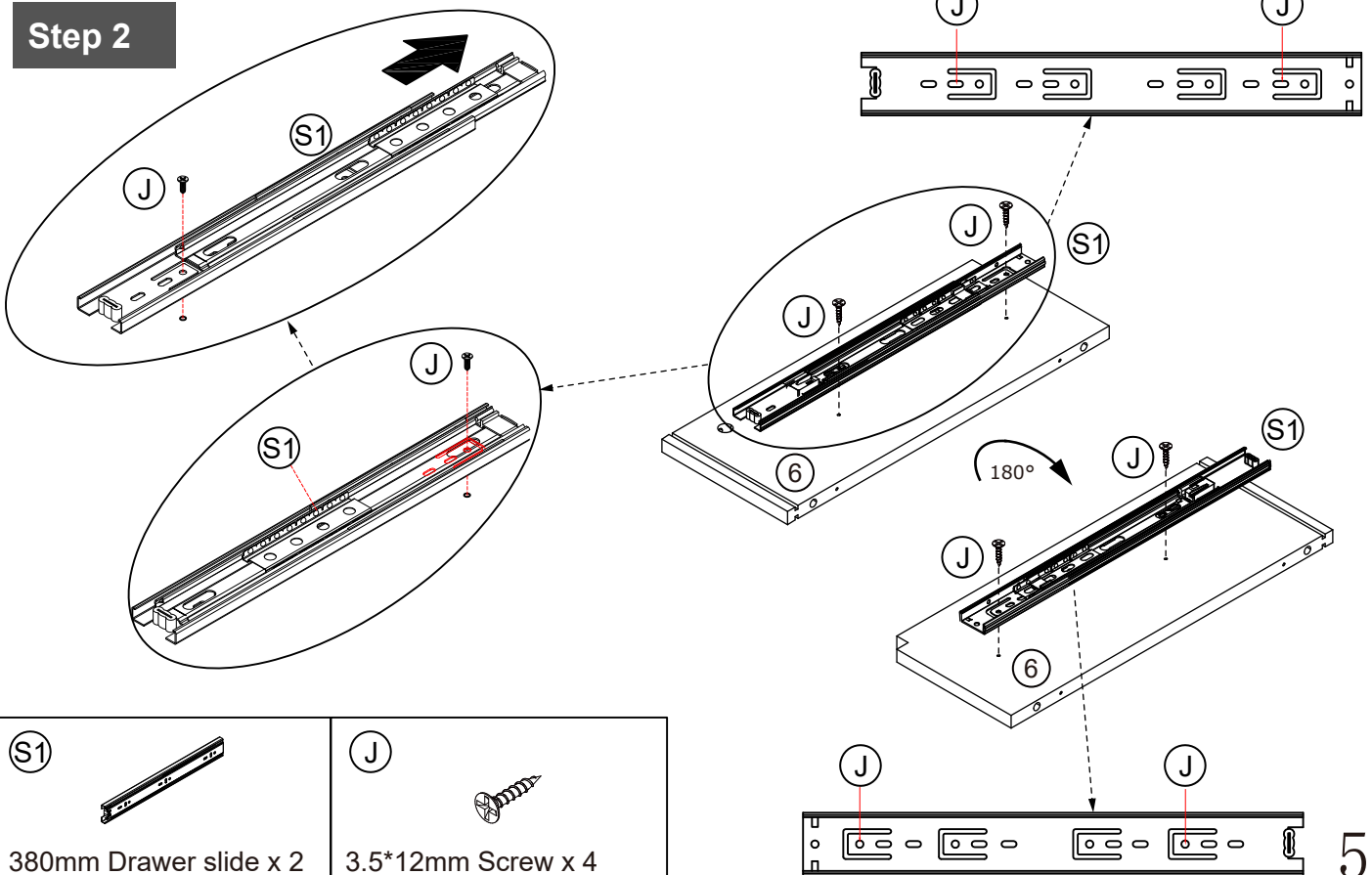


(S)

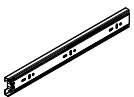


380mm Drawer slide x 4

Step 2



(S1)



380mm Drawer slide x 2

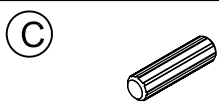
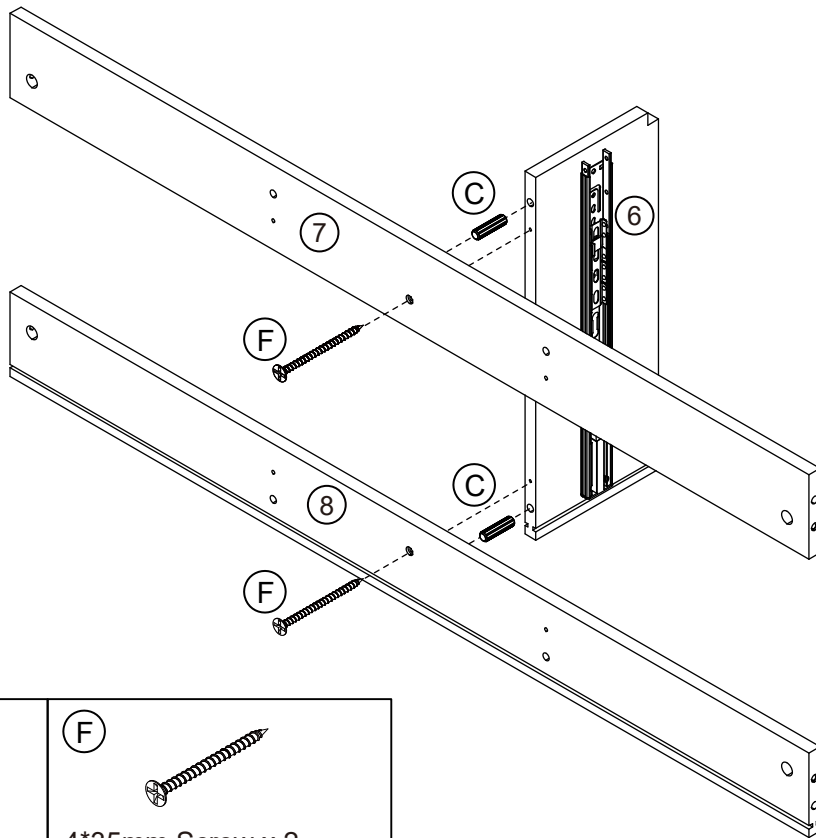
(J)



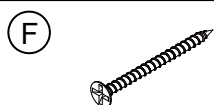
3.5*12mm Screw x 4

Assembly Instructions

Step 3

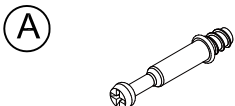
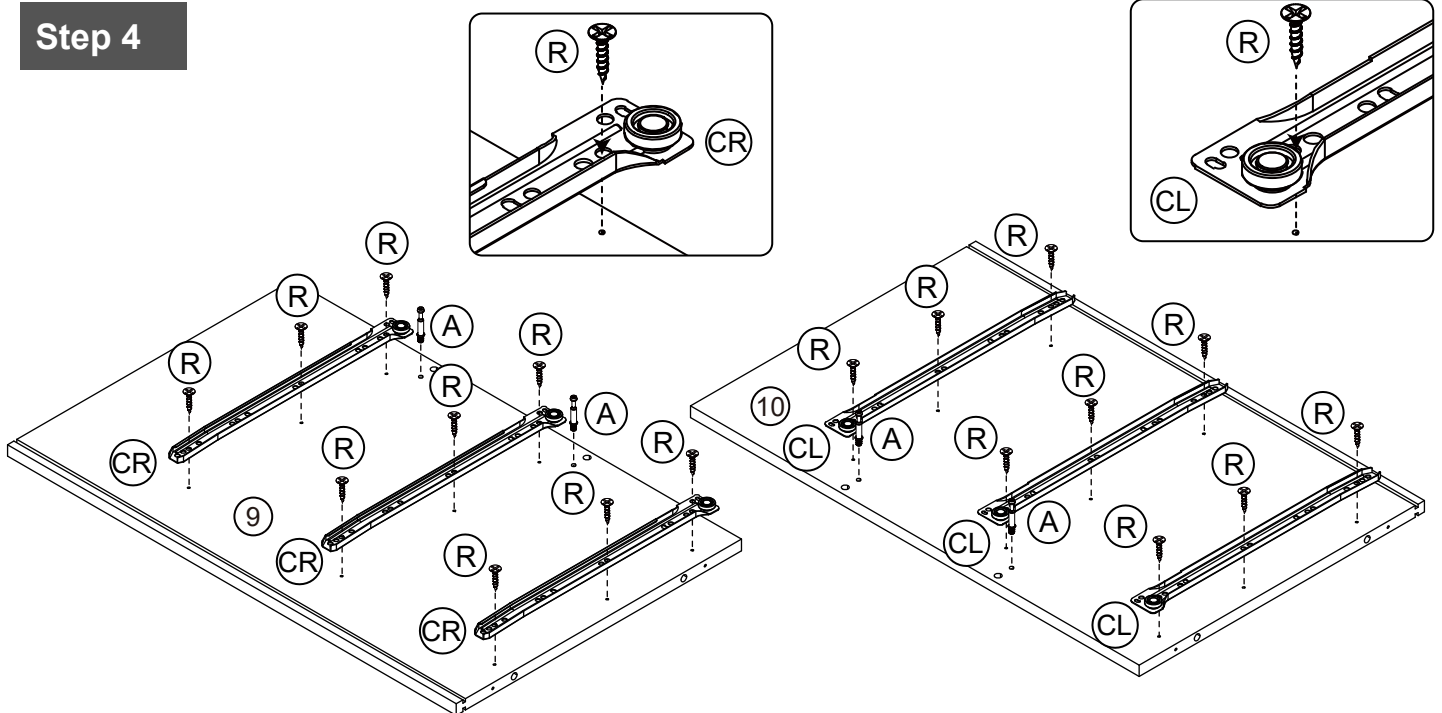


Dowel x 2



4*35mm Screw x 2

Step 4



Cam Bolt x 4



3*12mm Screw x 18



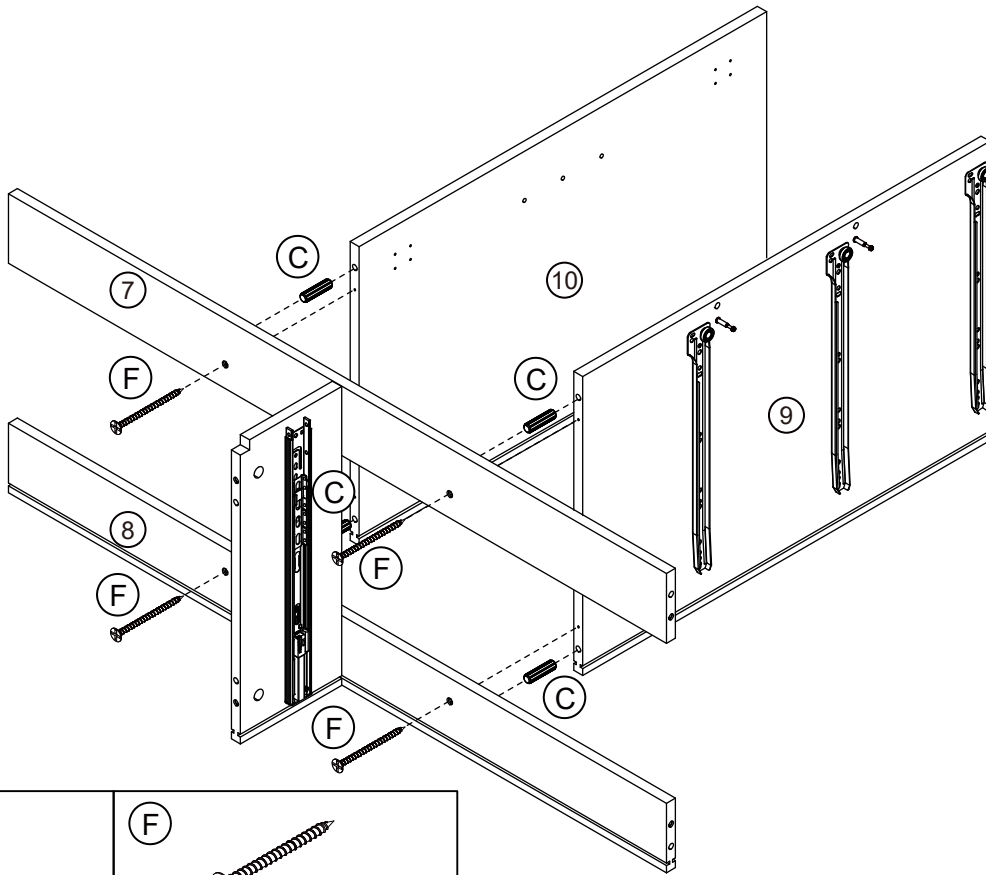
350mm runner x 3



350mm runner x 3

Assembly Instructions

Step 5



(C)



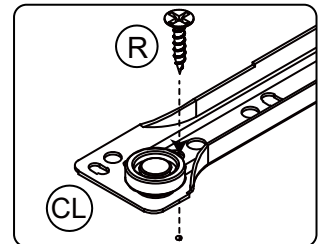
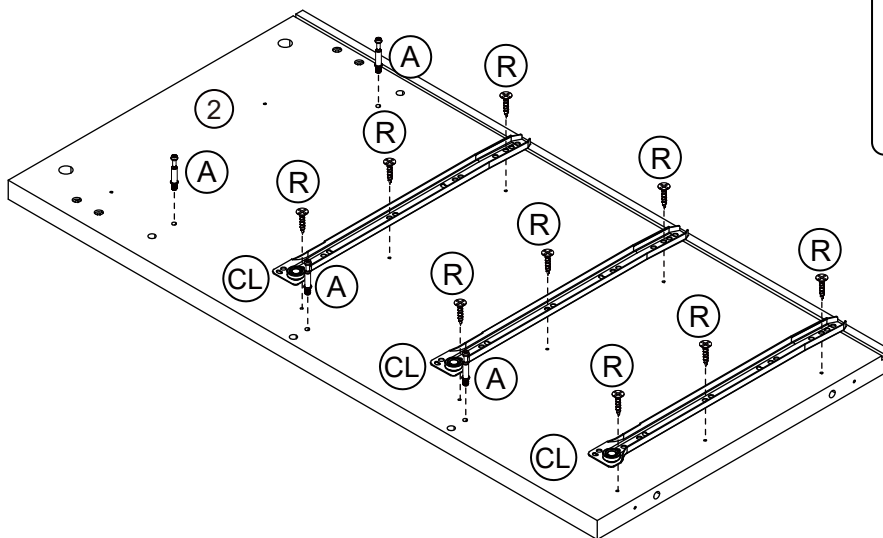
Dowel x 4

(F)

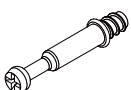


4*35mm Screw x 4

Step 6



(A)



Cam Bolt x 4

(R)



3*12mm Screw x 9

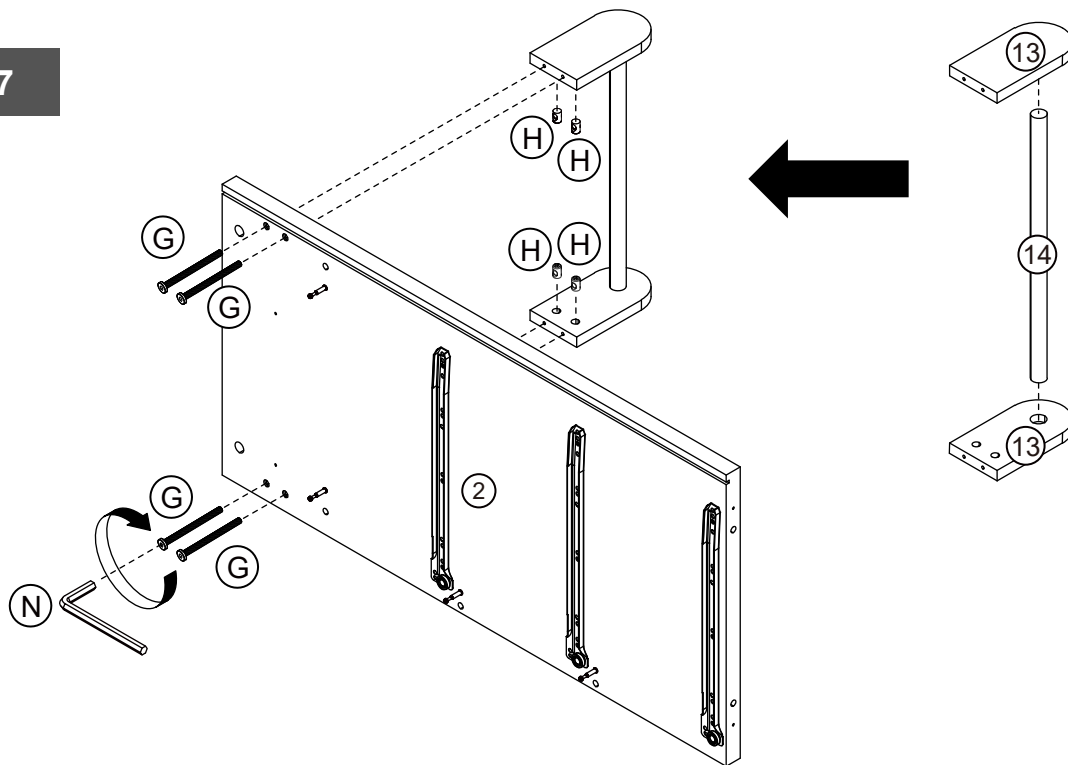
(CL)



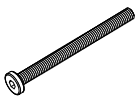
350mm runner x 3

Assembly Instructions

Step 7



(G)



6*50mm Screw x 4

(H)



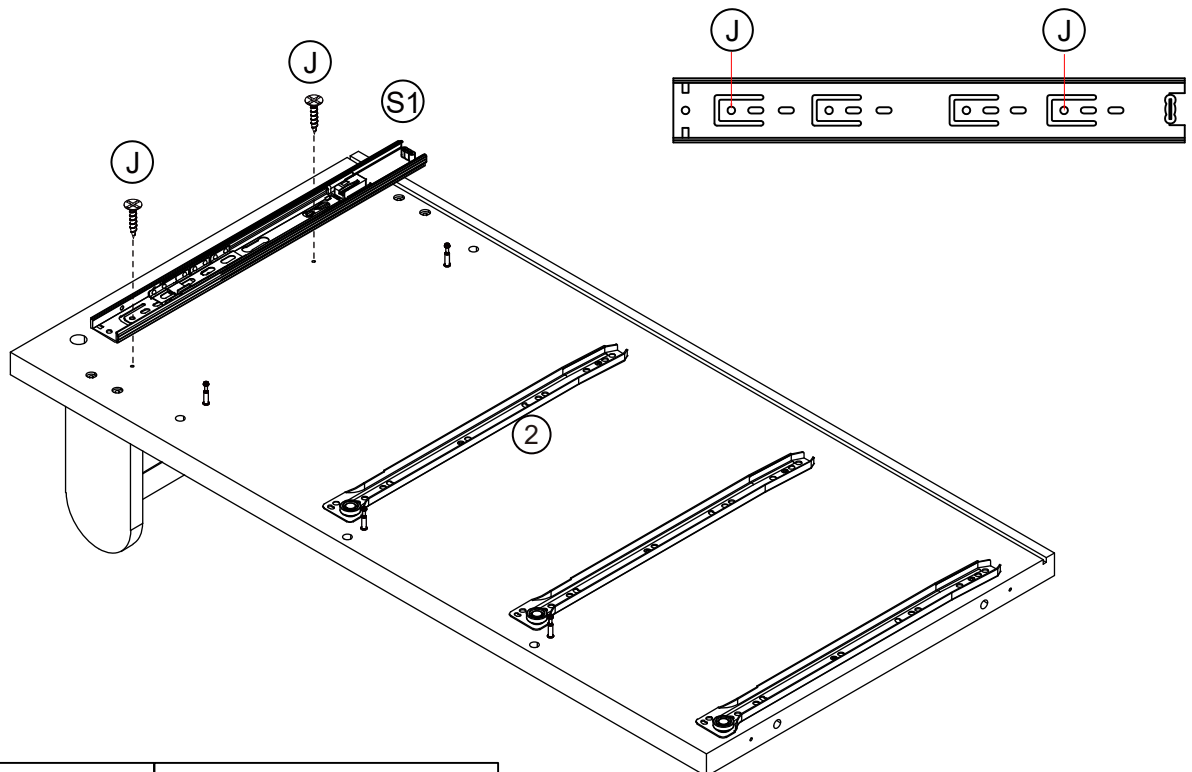
Vertical nut x 4

(N)

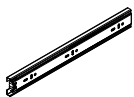


Allen key x 1

Step 8



(S1)



380mm Drawer slide x 1

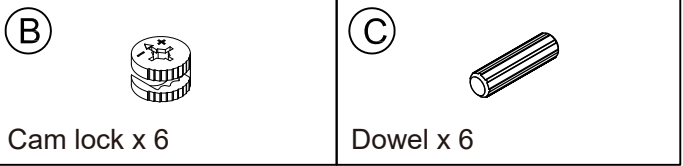
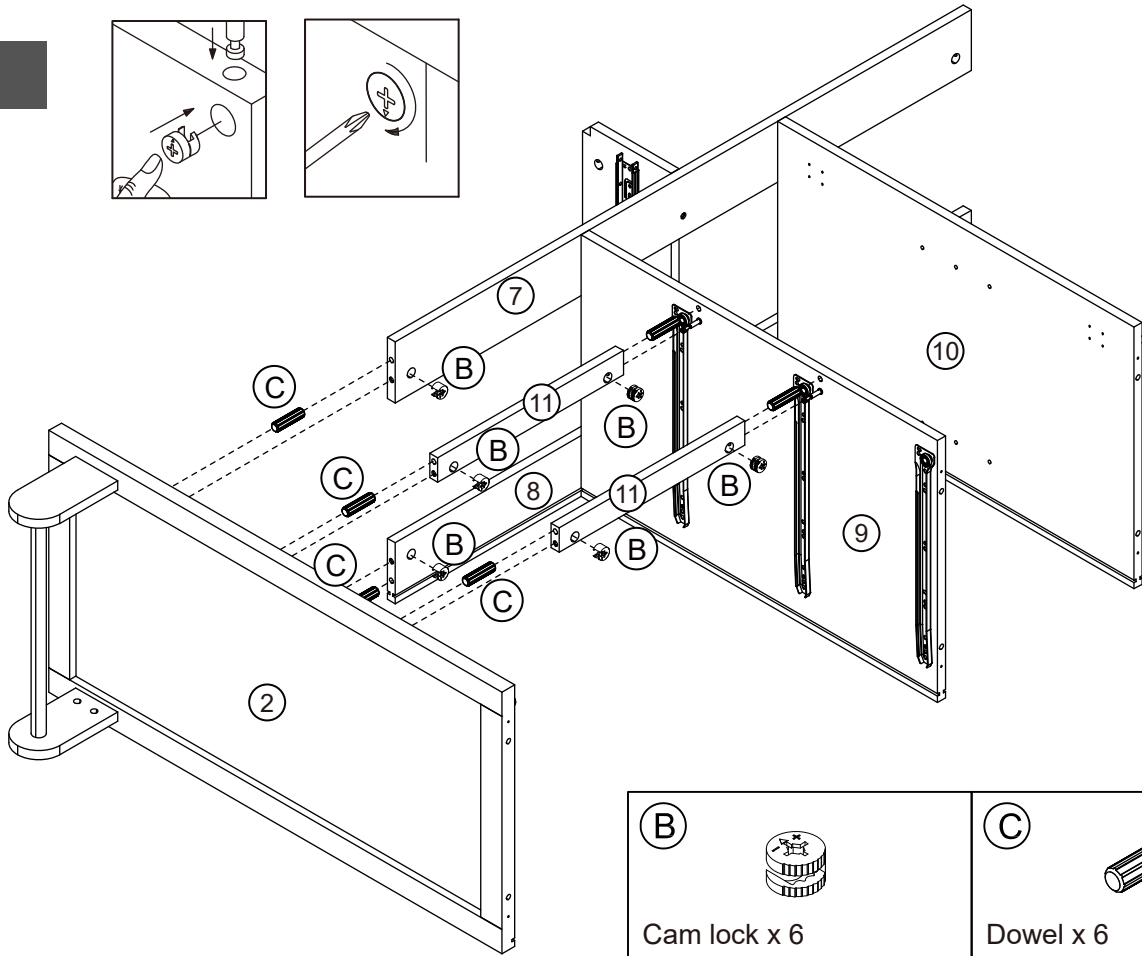
(J)



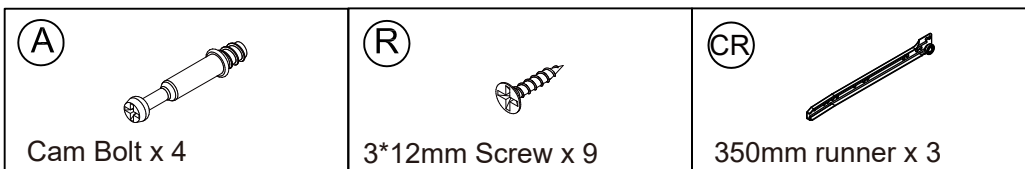
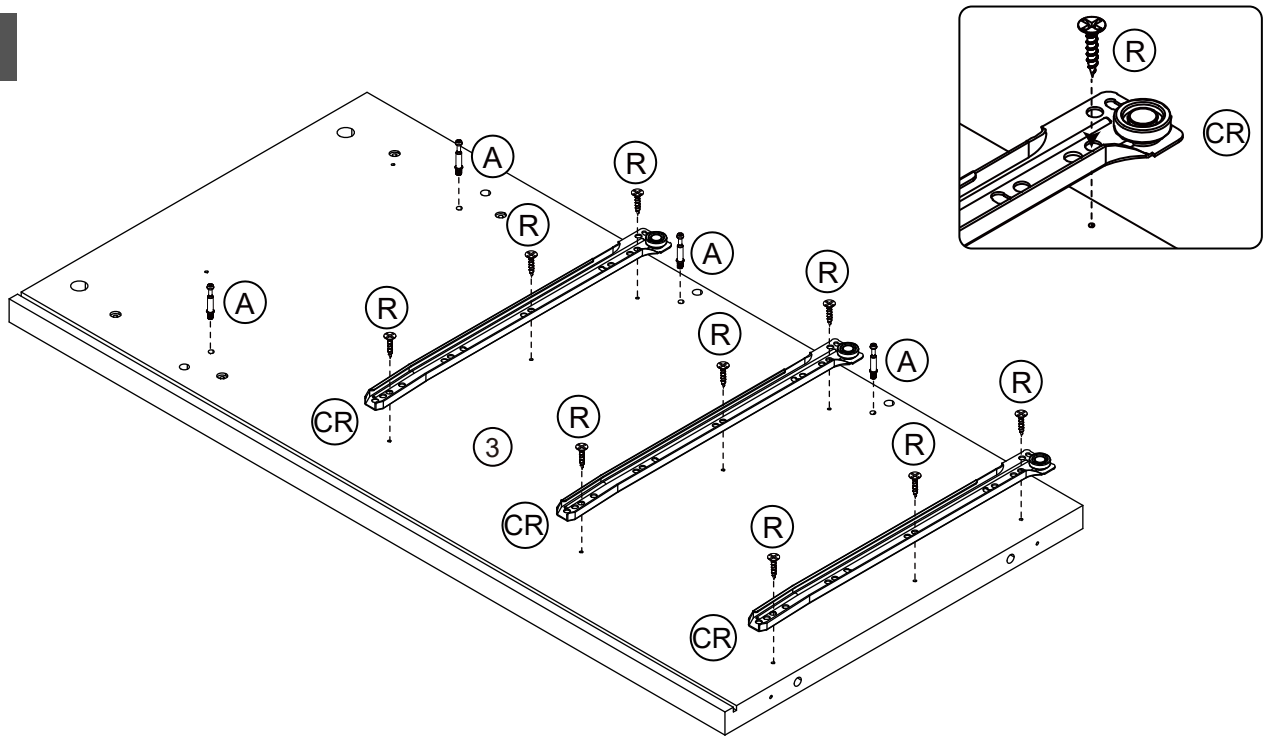
3.5*12mm Screw x 2

Assembly Instructions

Step 9

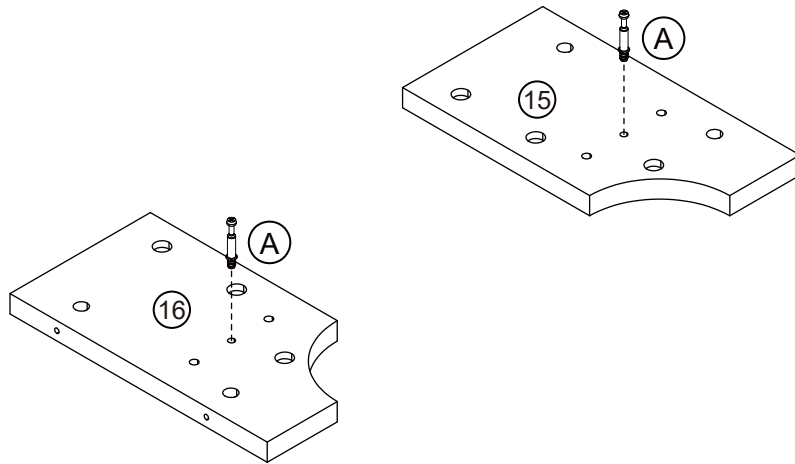


Step 10

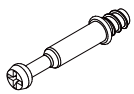


Assembly Instructions

Step 11

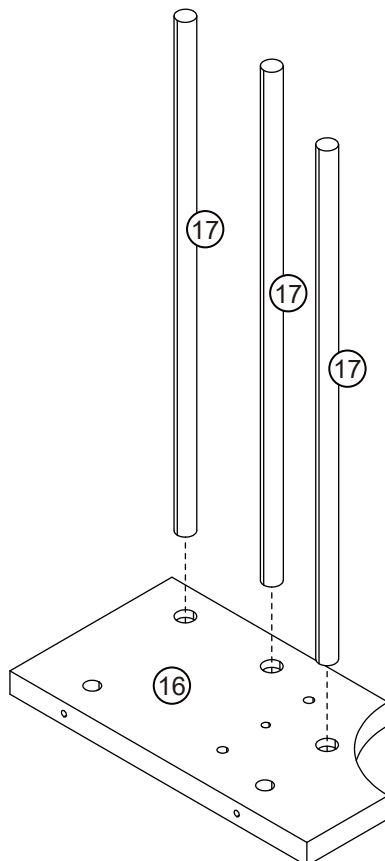


A



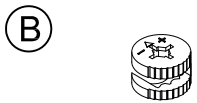
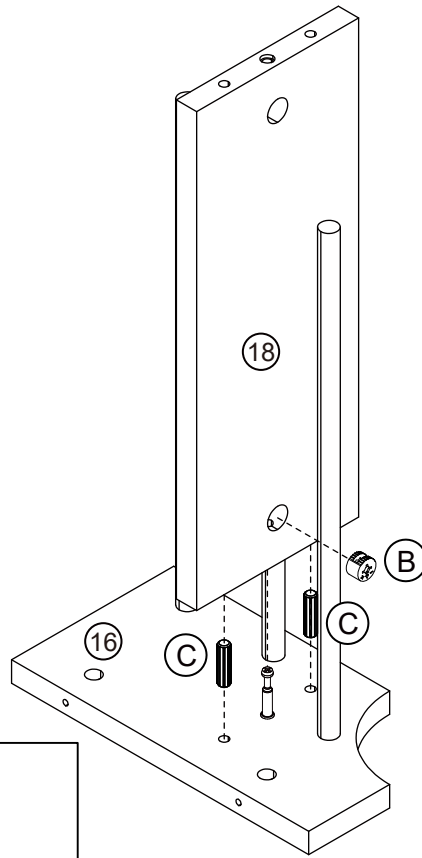
Cam Bolt x 2

Step 12

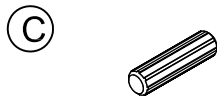


Assembly Instructions

Step 13

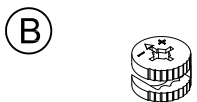
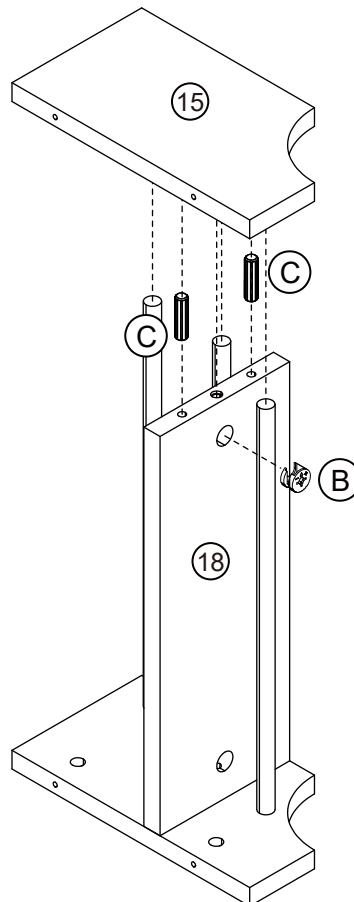


Cam lock x 1

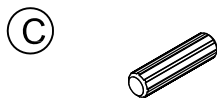


Dowel x 2

Step 14



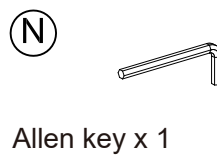
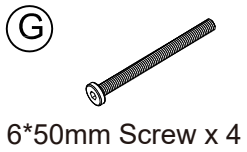
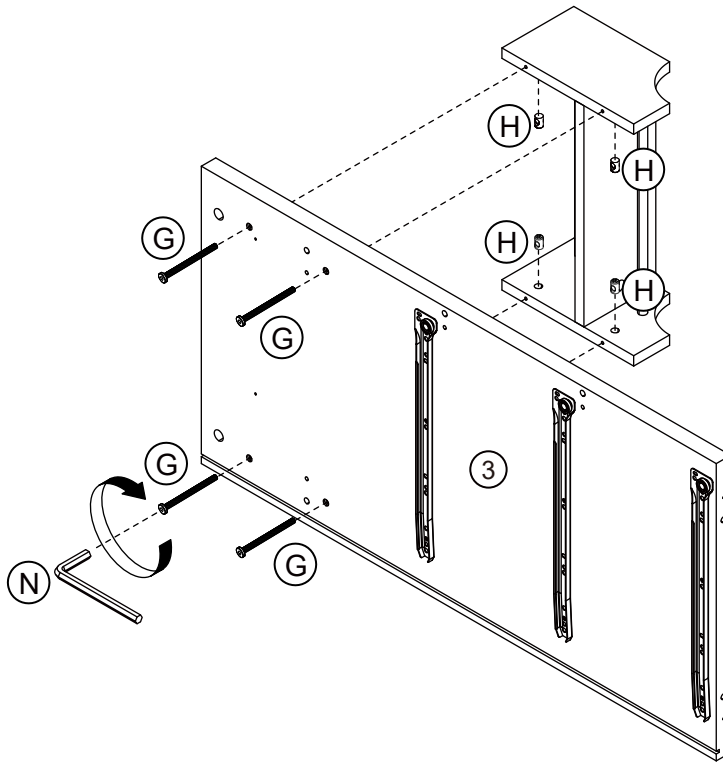
Cam lock x 1



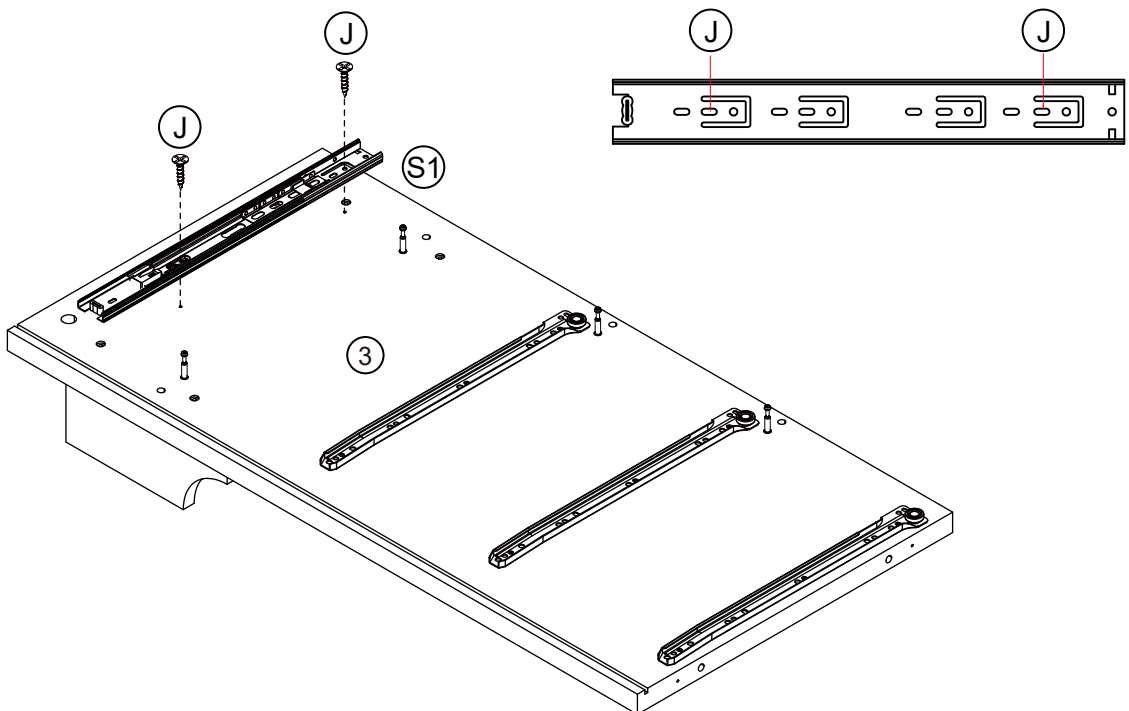
Dowel x 2

Assembly Instructions

Step 15

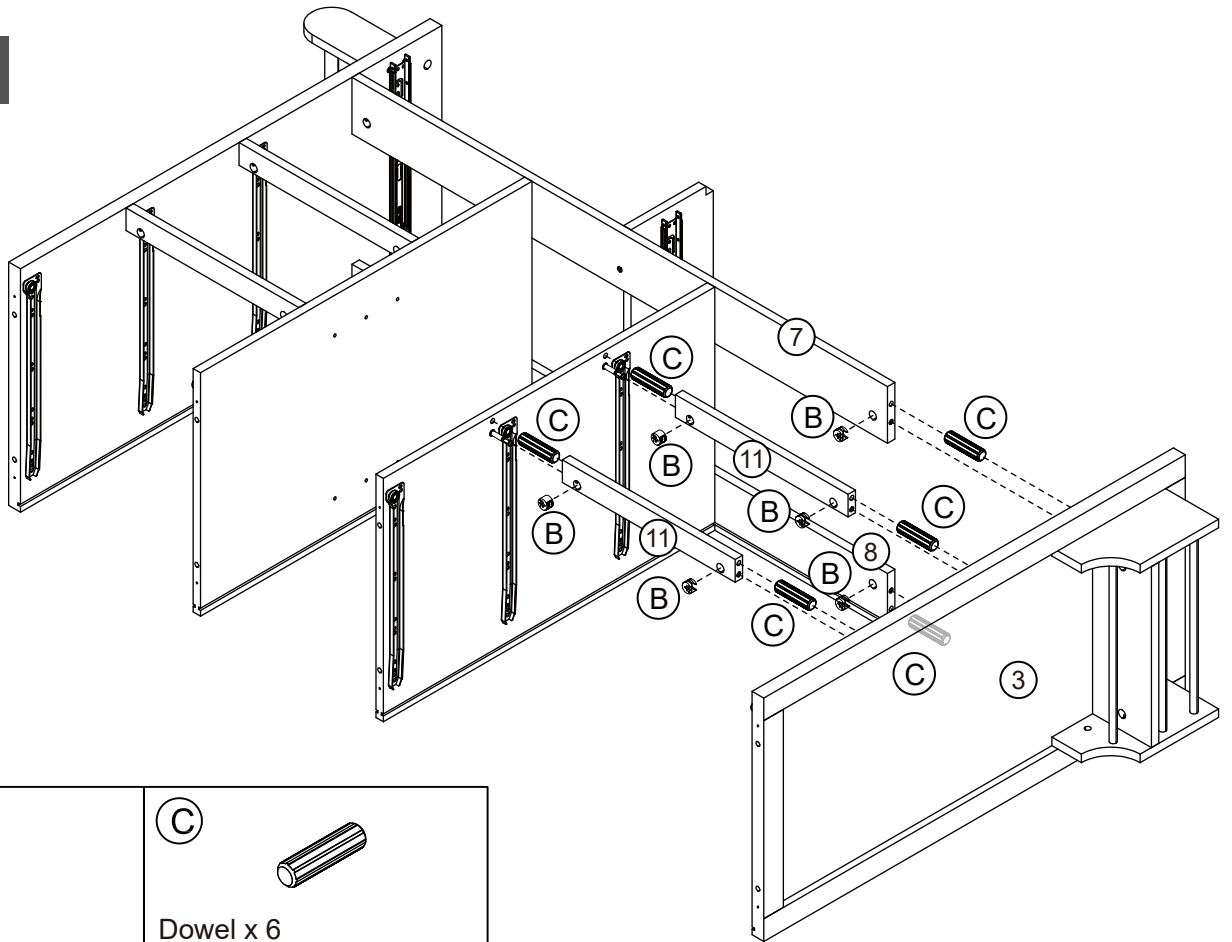


Step 16

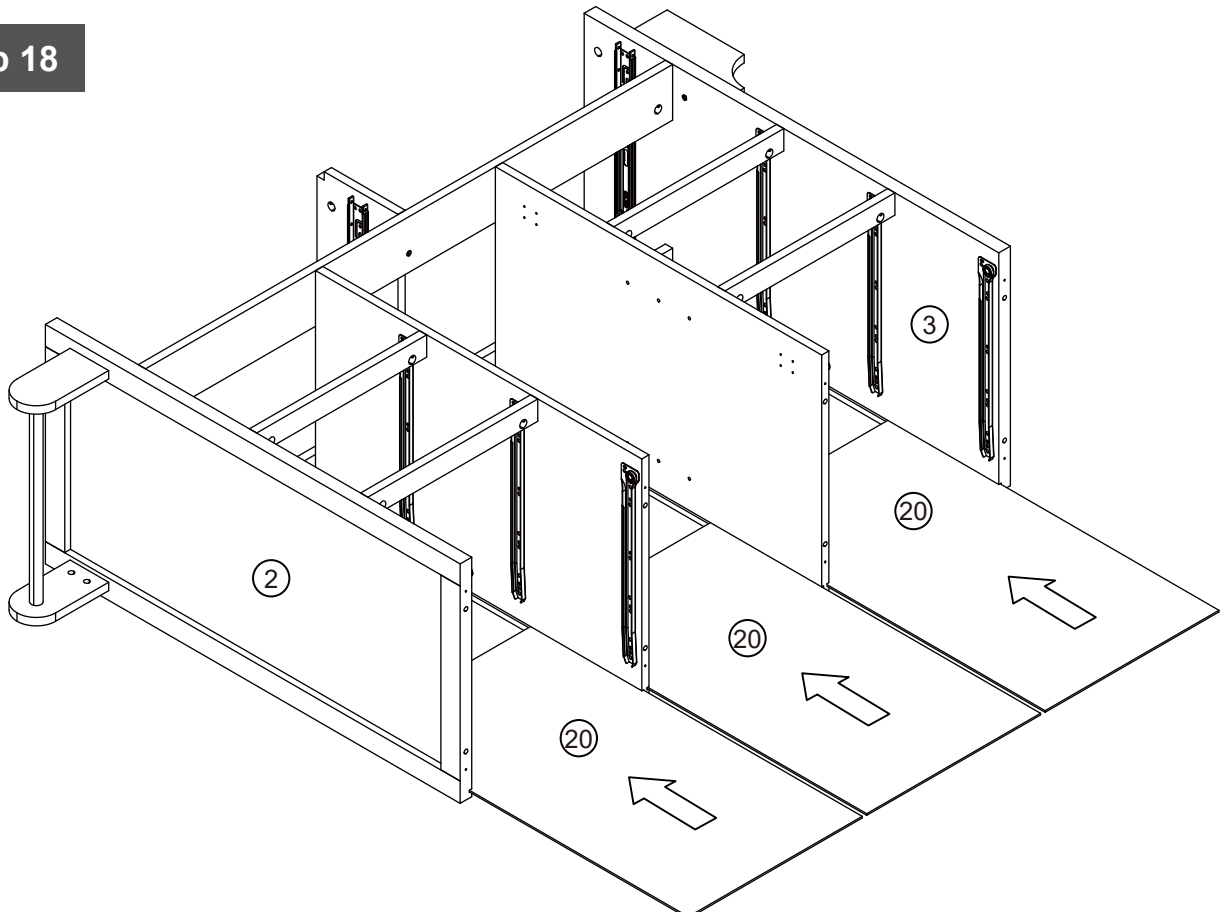


Assembly Instructions

Step 17

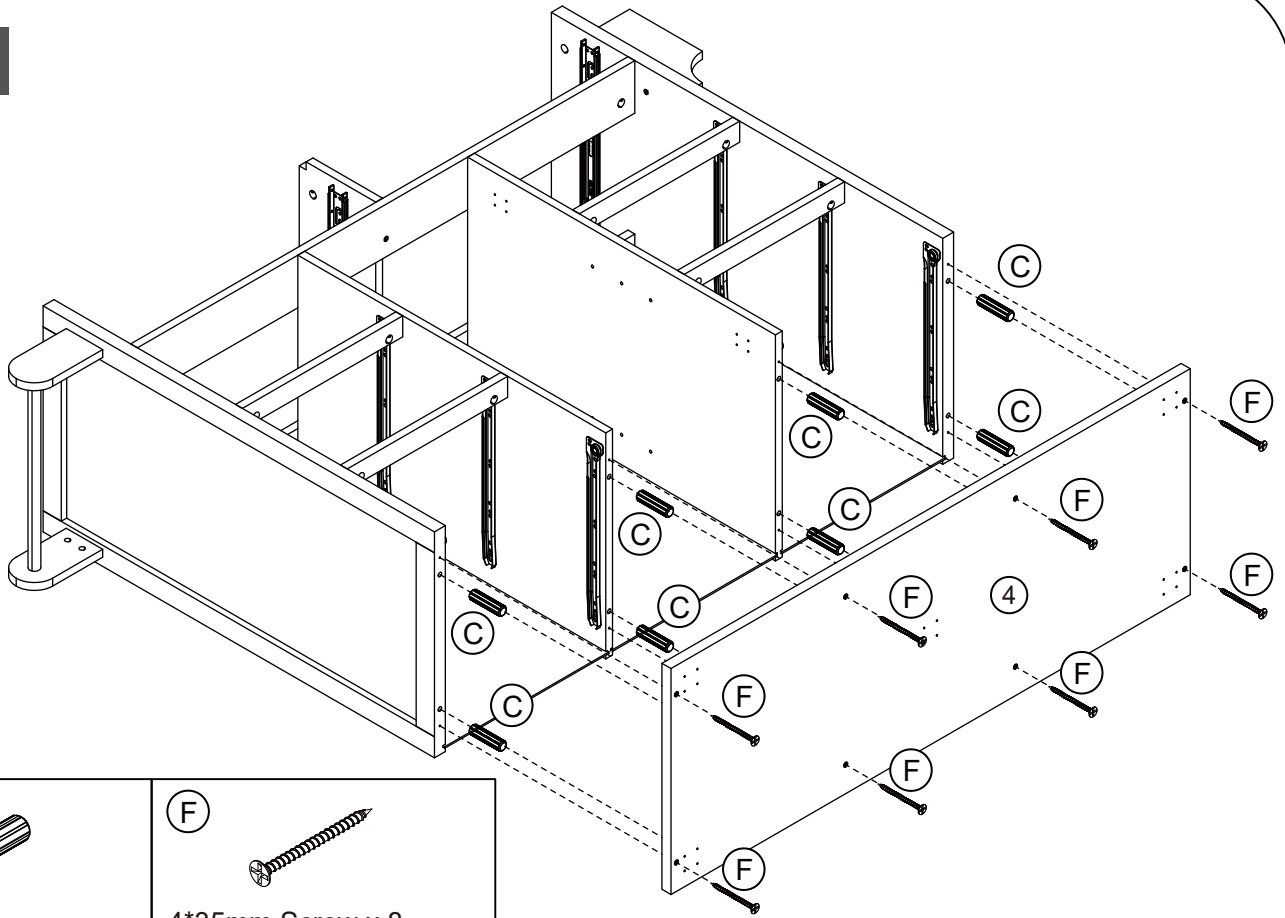


Step 18



Assembly Instructions

Step 19



(C)



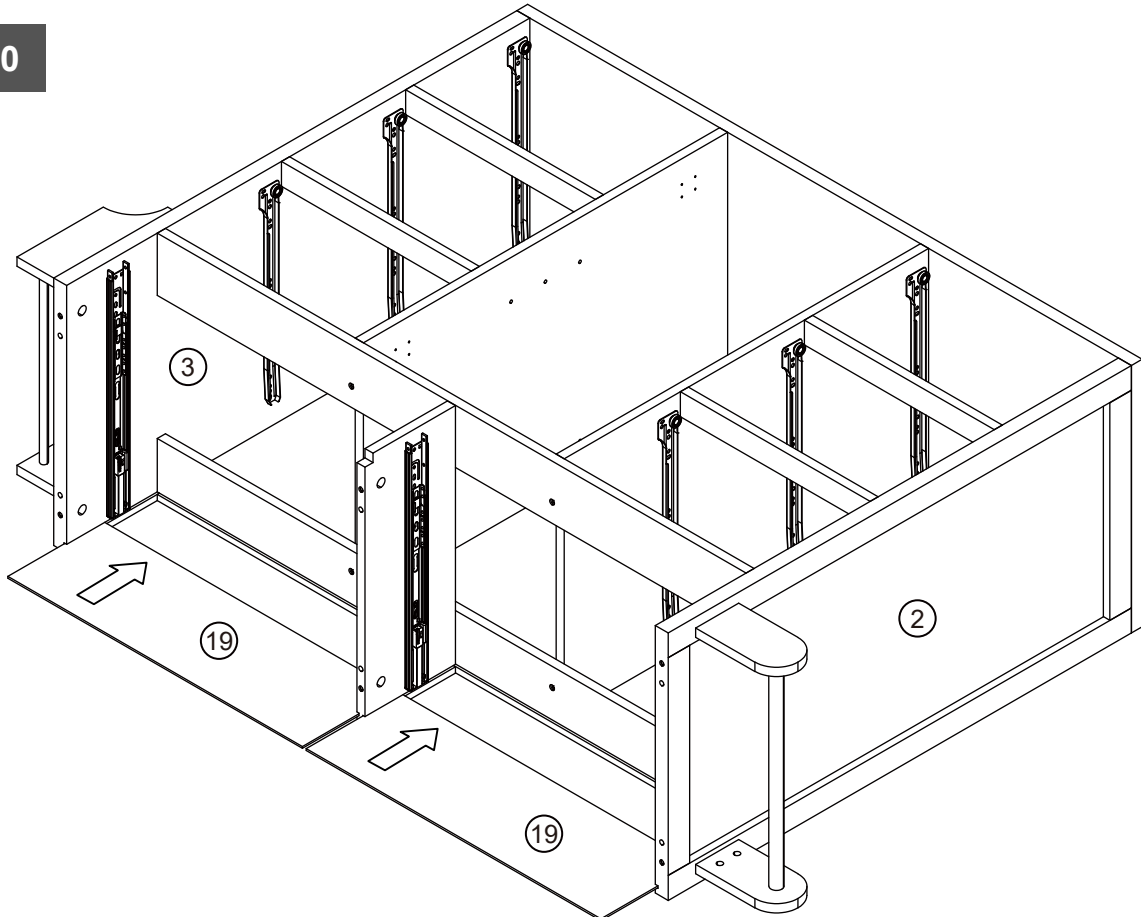
Dowel x 8

(F)



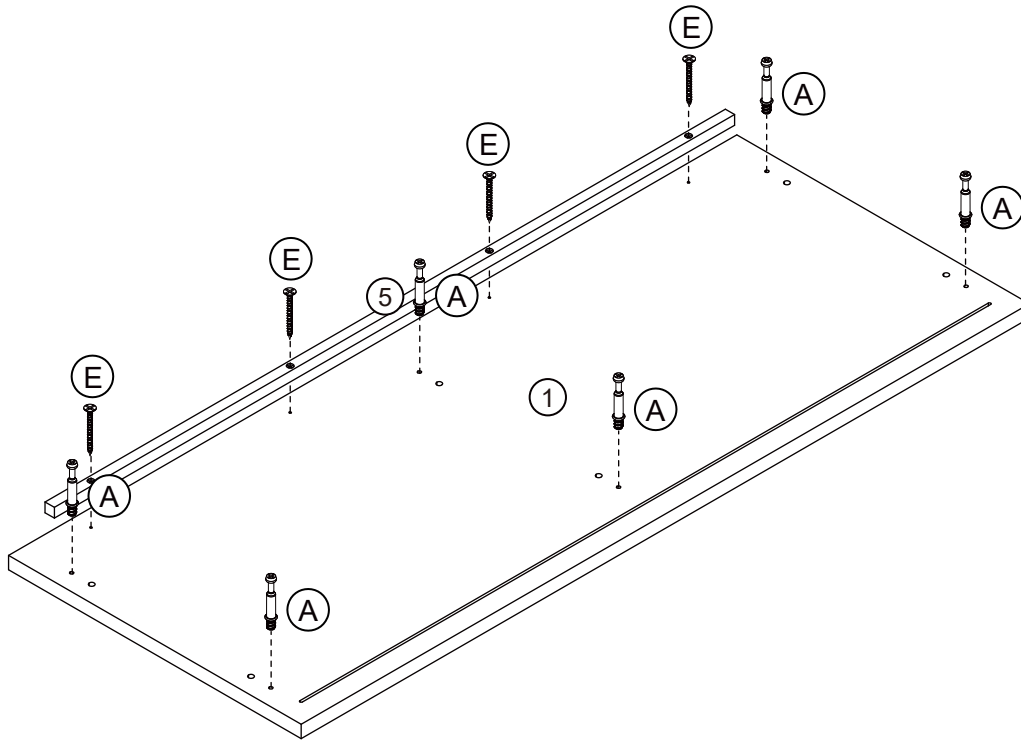
4*35mm Screw x 8

Step 20

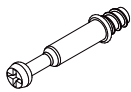


Assembly Instructions

Step 21



(A)



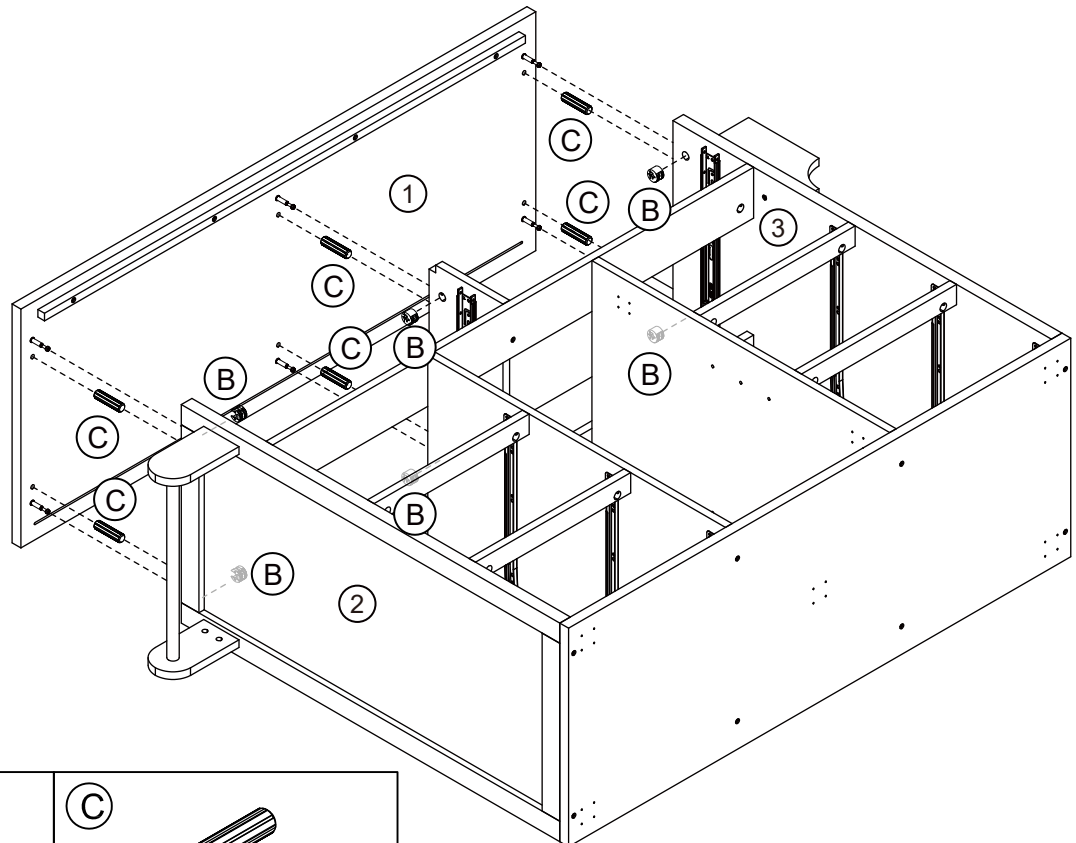
Cam Bolt x 6

(E)



4*25mm Screw x 4

Step 22



(B)



Cam lock x 6

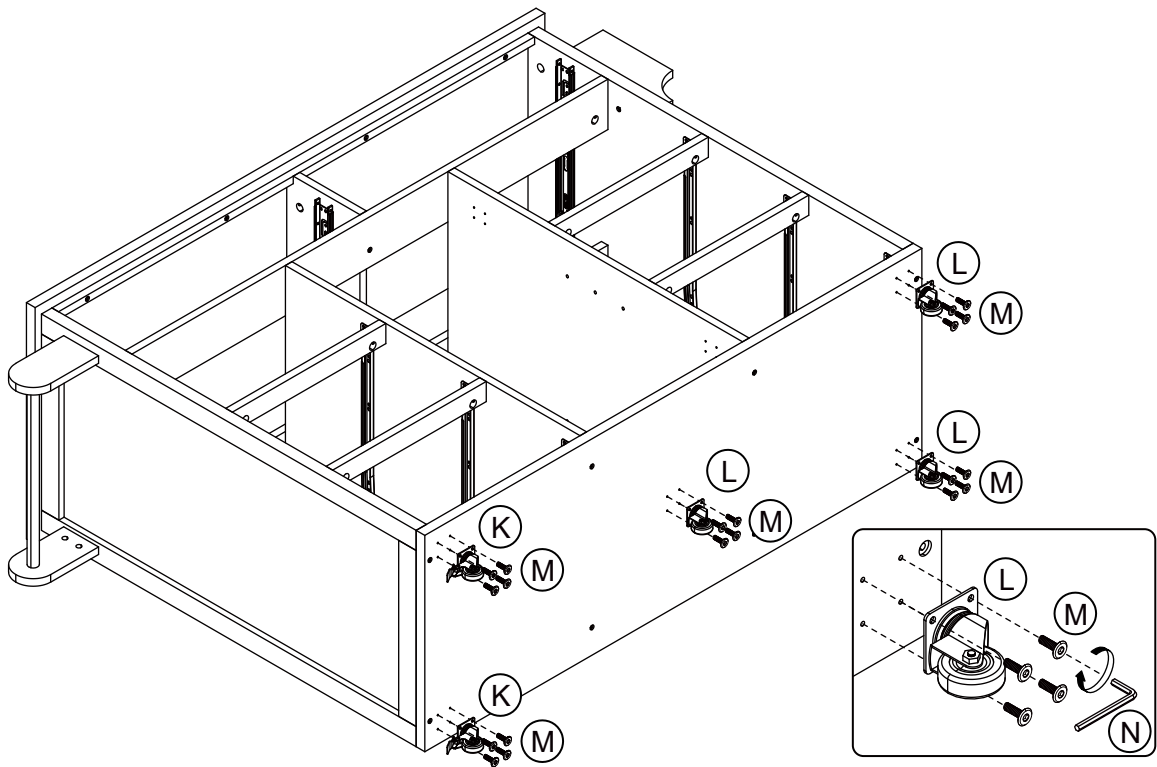
(C)



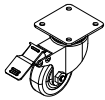
Dowel x 6

Assembly Instructions

Step 23

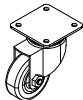


(K)



Locking caster x 2

(L)



Caster x 3

(M)



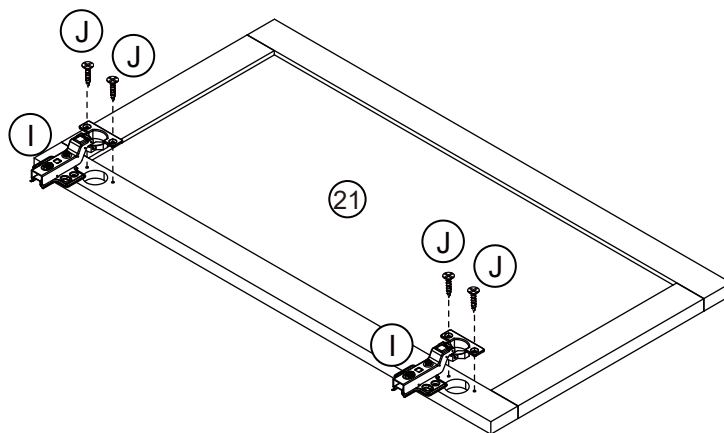
6*14mm Screw x 20

(N)

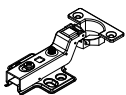


Allen key x 1

Step 24



(I)



Hinge x 2

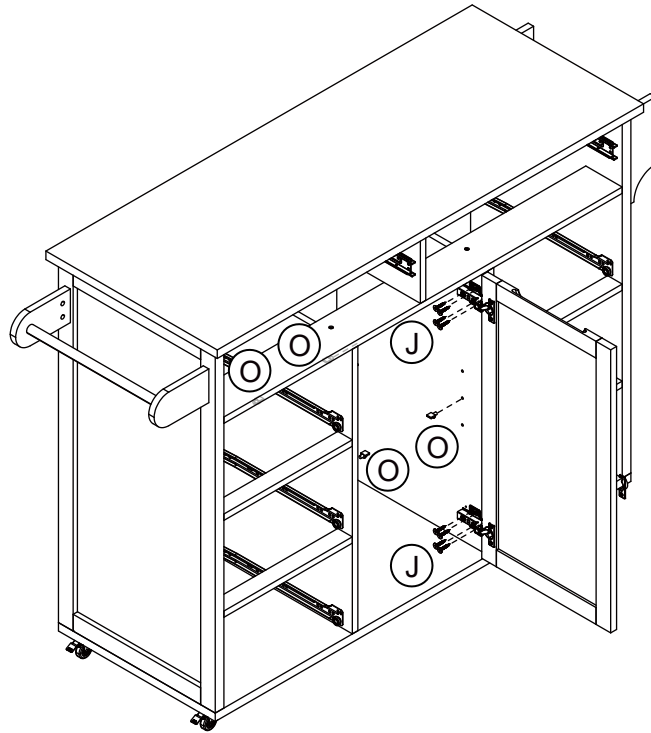
(J)



3.5*12mm Screw x 4

Assembly Instructions

Step 25



J



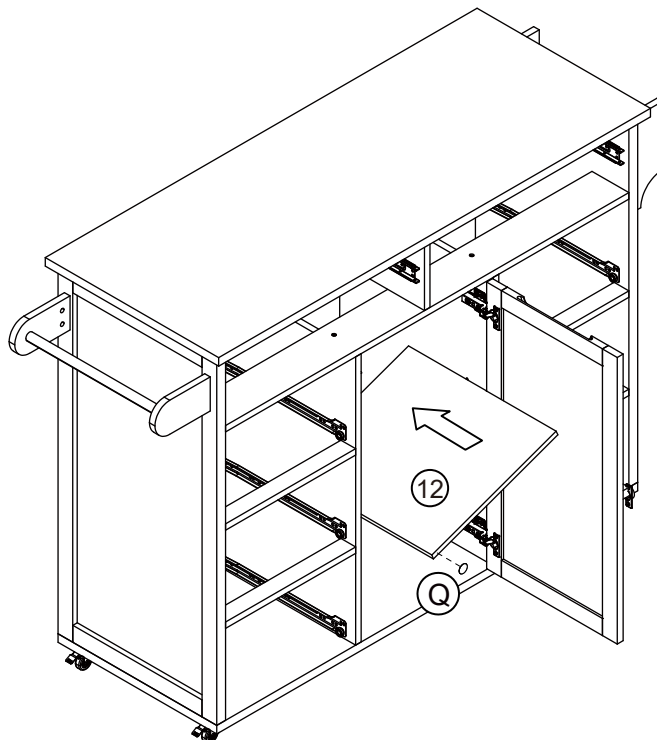
3.5*12mm Screw x 8

O



Shelf support pin x 4

Step 26



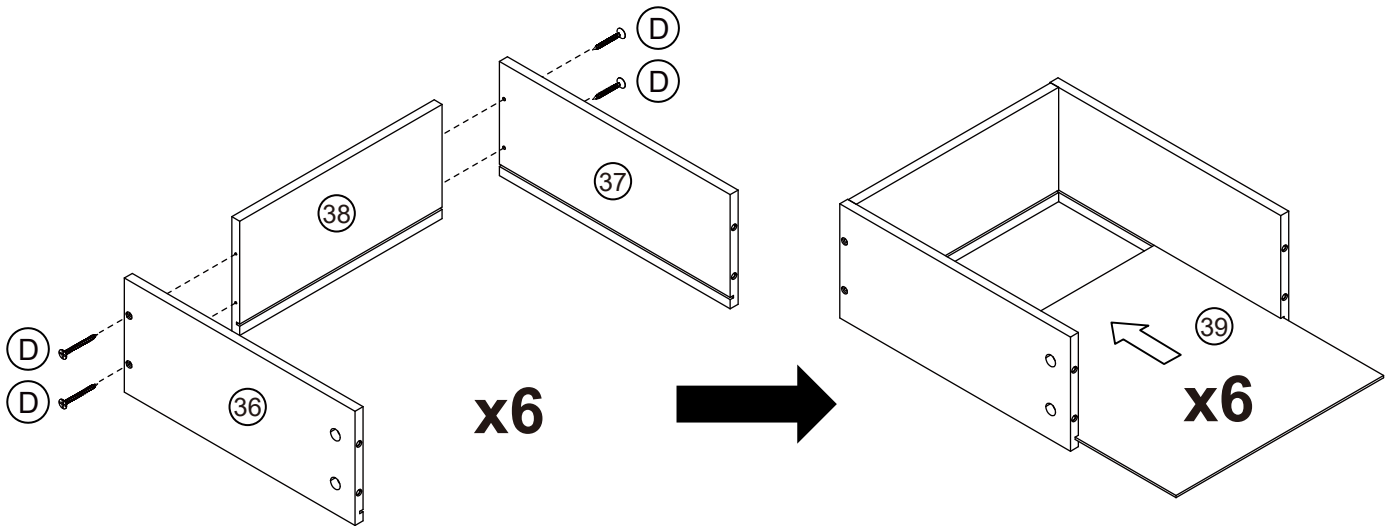
Q



Colloidal particles x 1

Assembly Instructions

Step 27

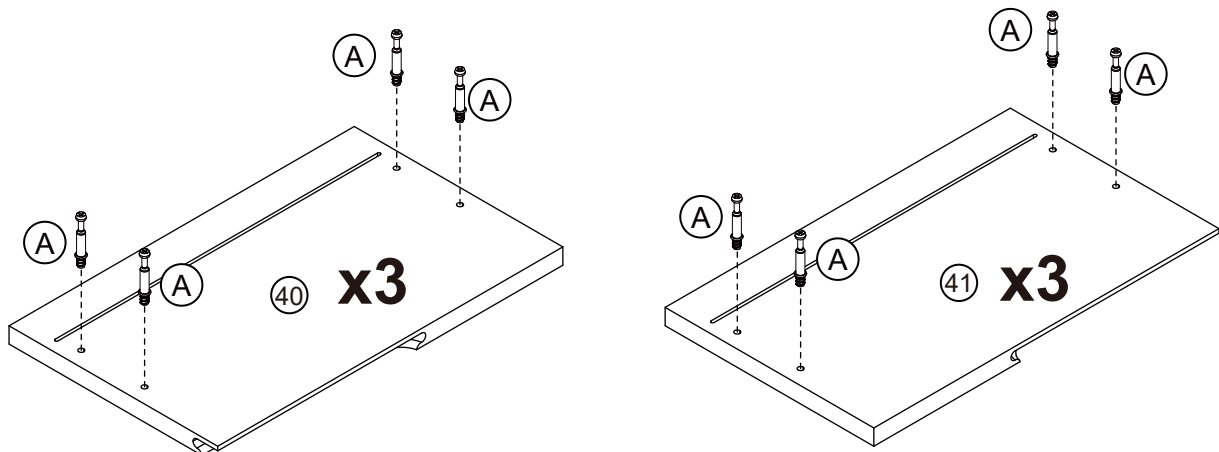


(D)

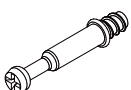


4*30mm Screw x 24

Step 28



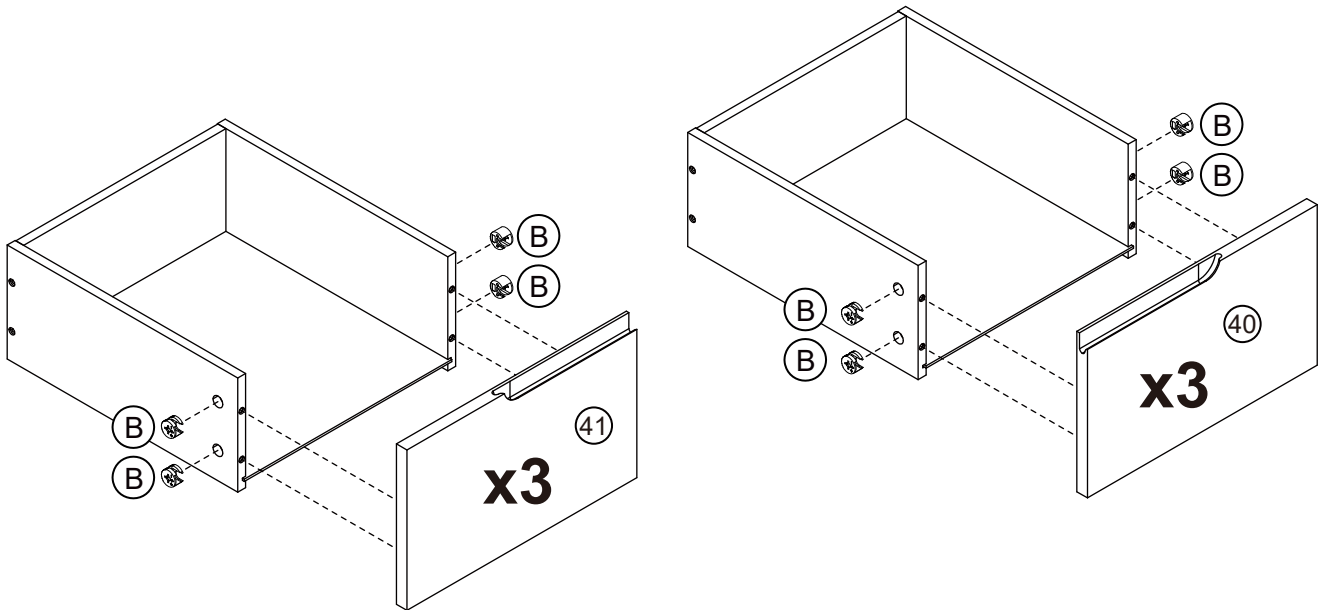
(A)



Cam Bolt x 24

Assembly Instructions

Step 29

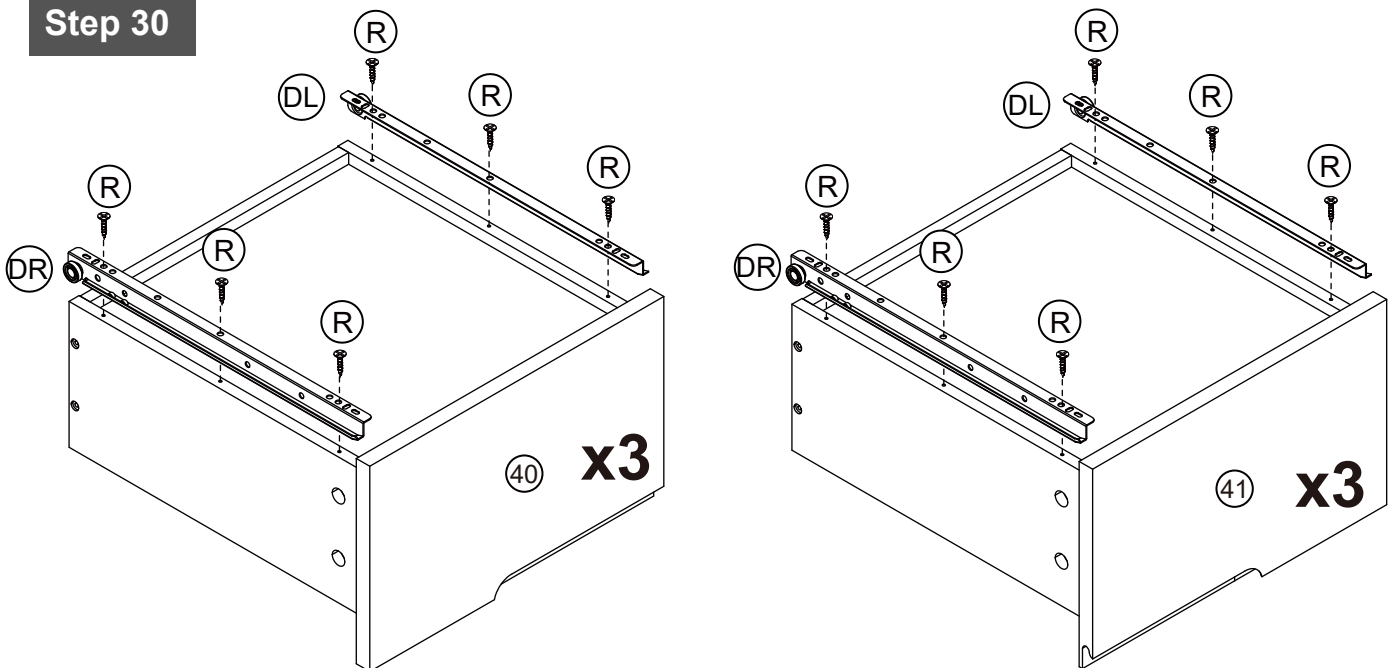


(B)



Cam lock x 24

Step 30



(R)



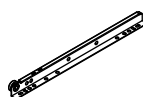
3*12mm Screw x 36

(DL)



350mm runner x 6

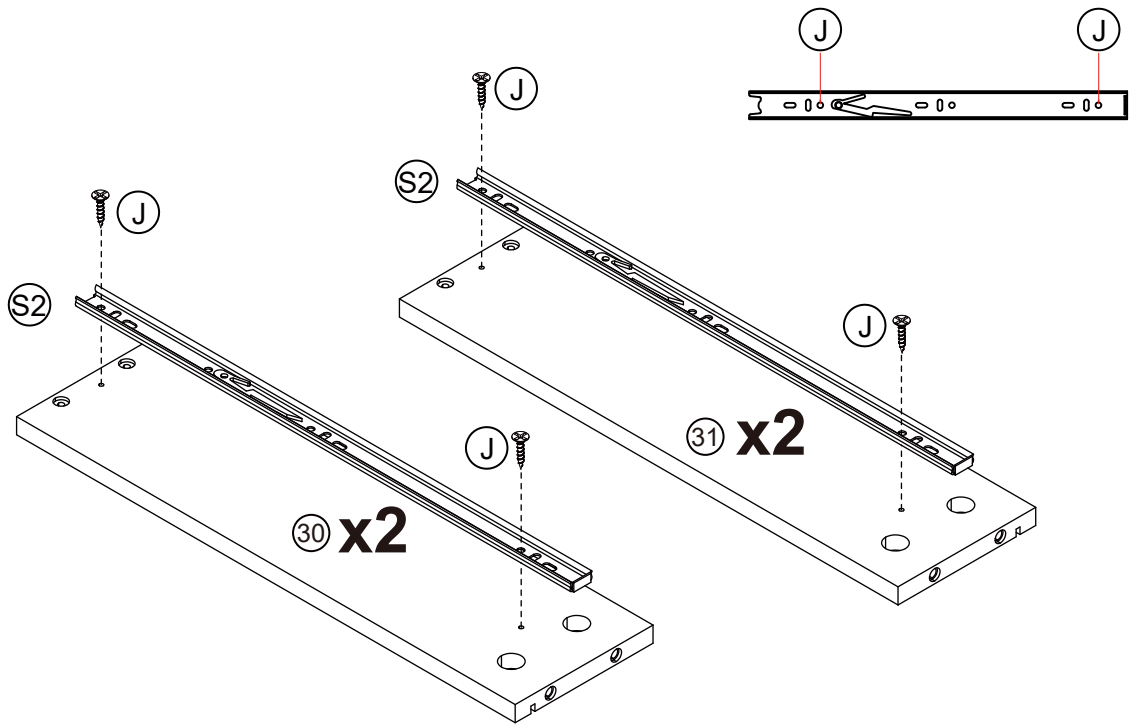
(DR)



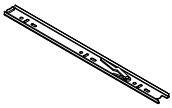
350mm runner x 6

Assembly Instructions

Step 31



(S2)



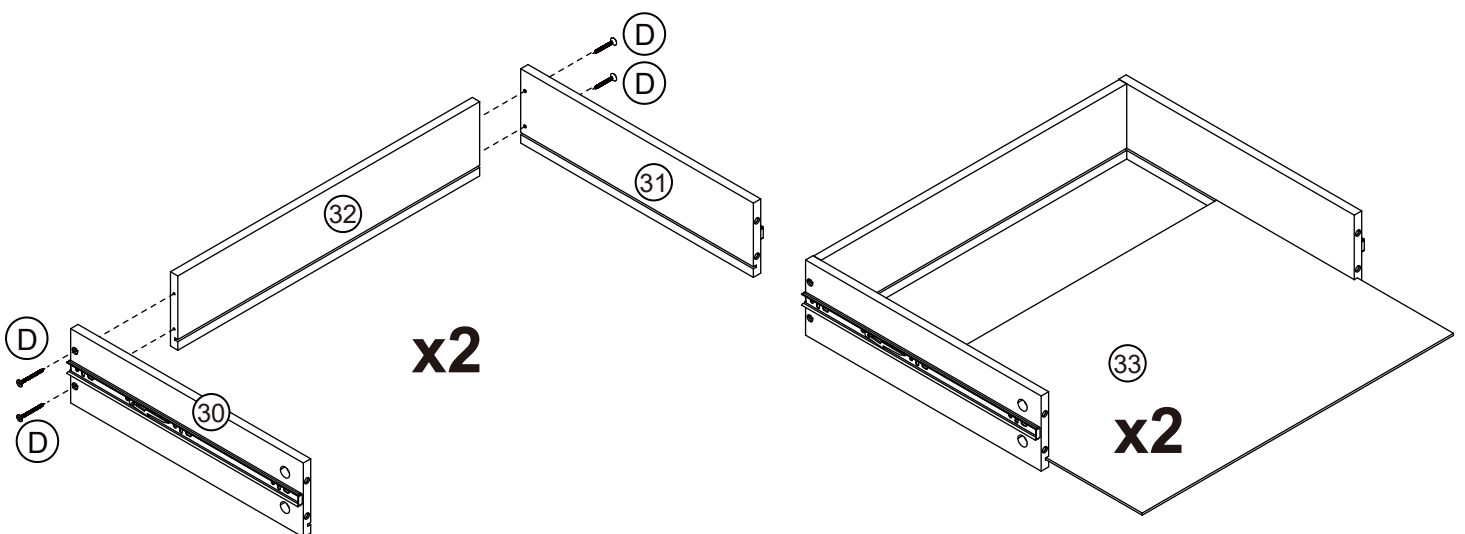
380mm Drawer slide x 4

(J)



3.5*12mm Screw x 8

Step 32



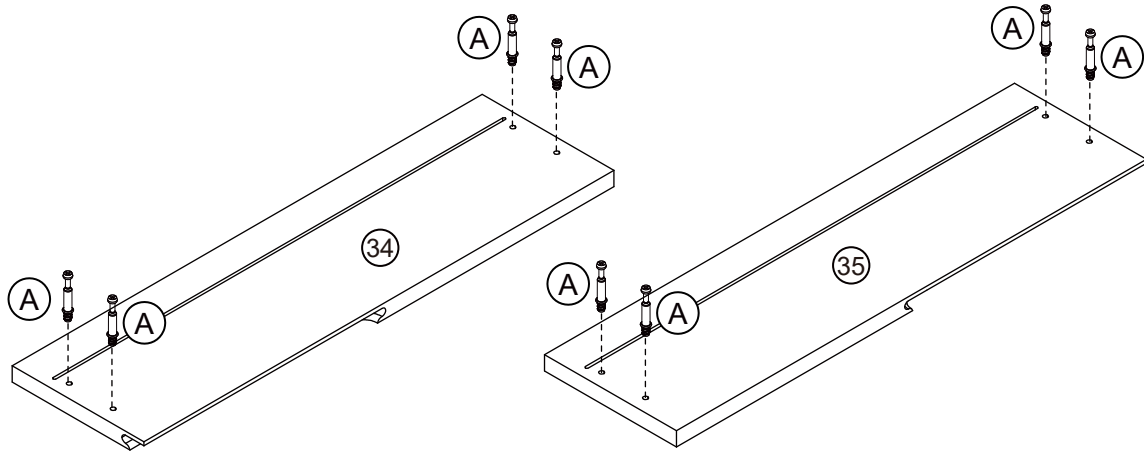
(D)



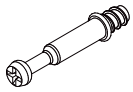
4*30mm Screw x 8

Assembly Instructions

Step 33

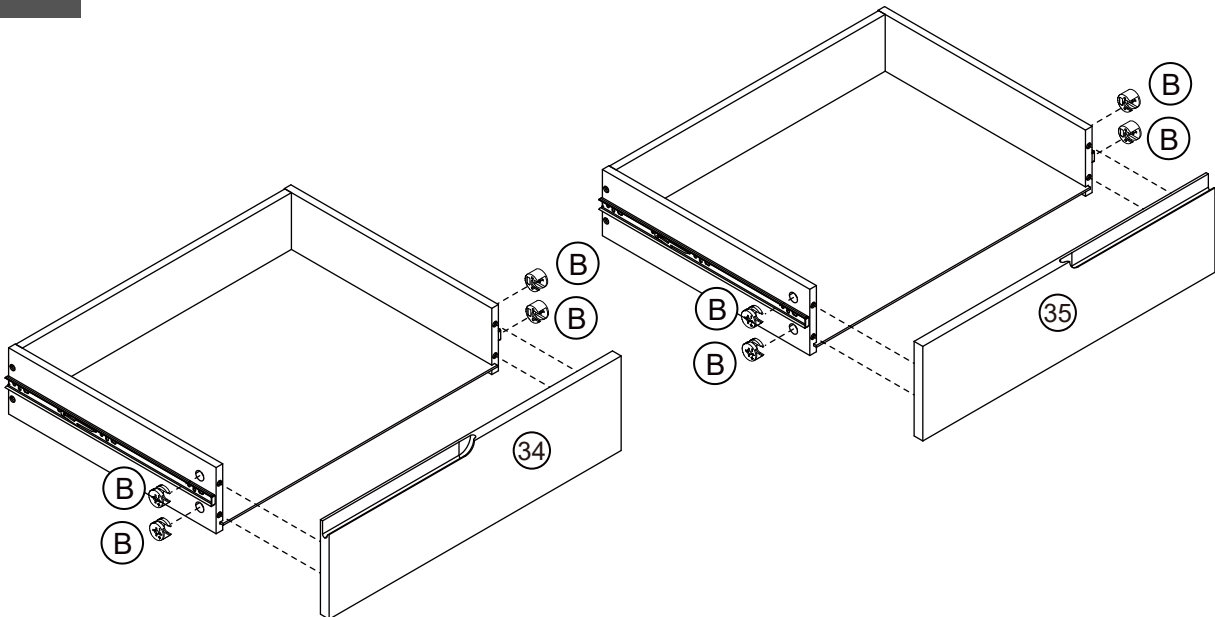


(A)



Cam Bolt x 8

Step 34



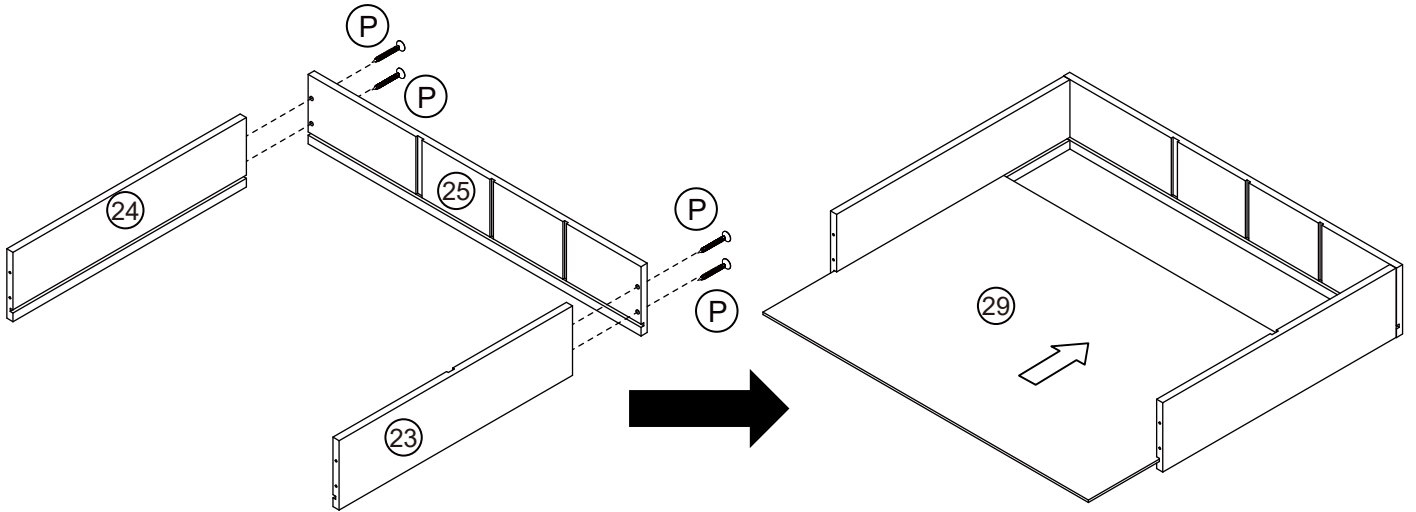
(B)



Cam lock x 8

Assembly Instructions

Step 35

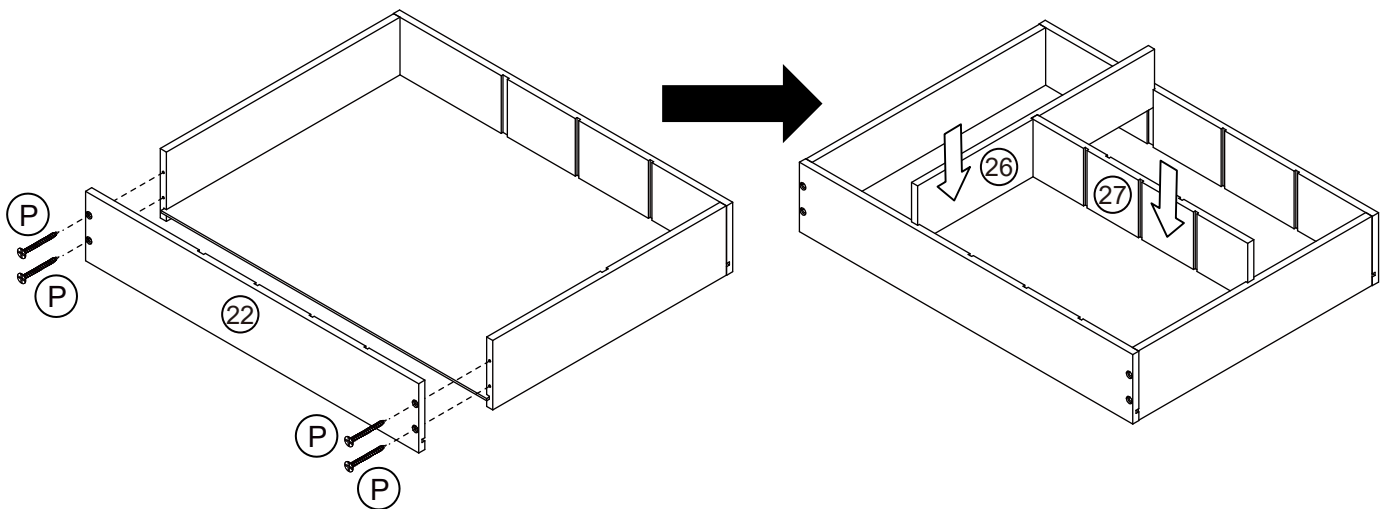


(P)



3*25mm Screw x 4

Step 36



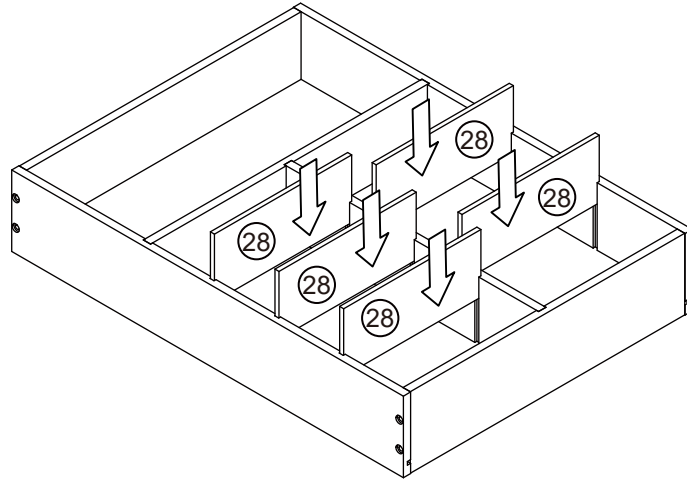
(P)



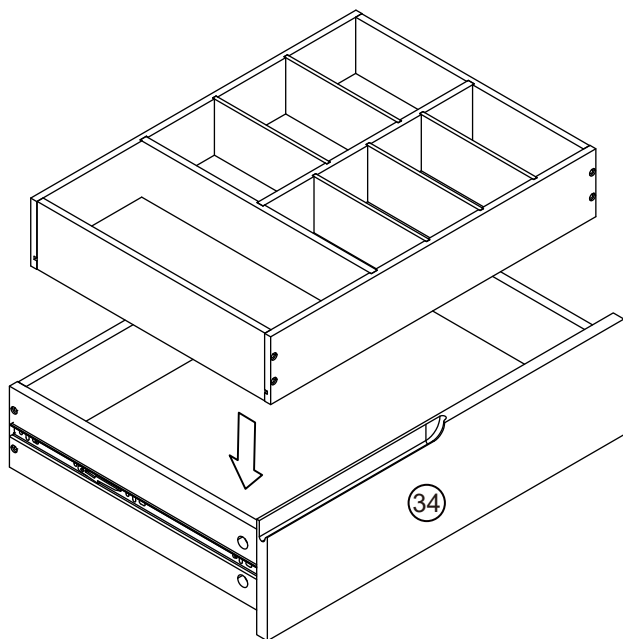
3*25mm Screw x 4

Assembly Instructions

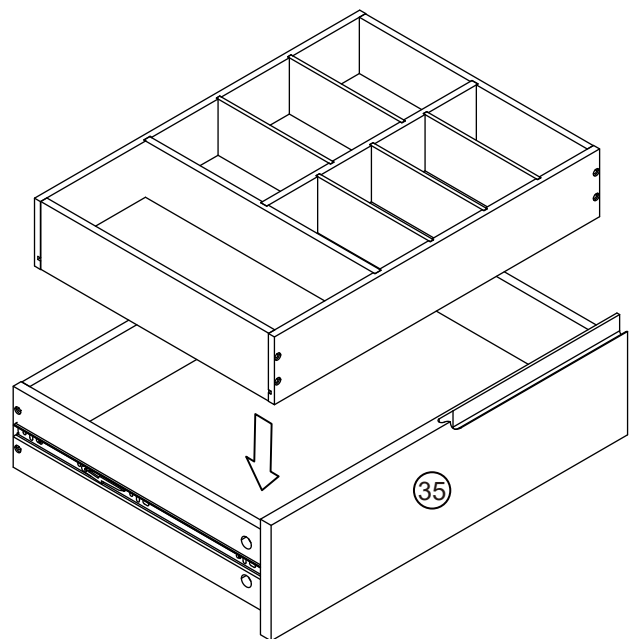
Step 37



Step 38

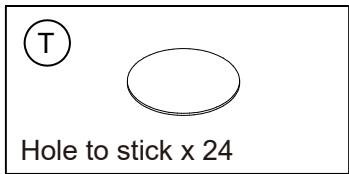
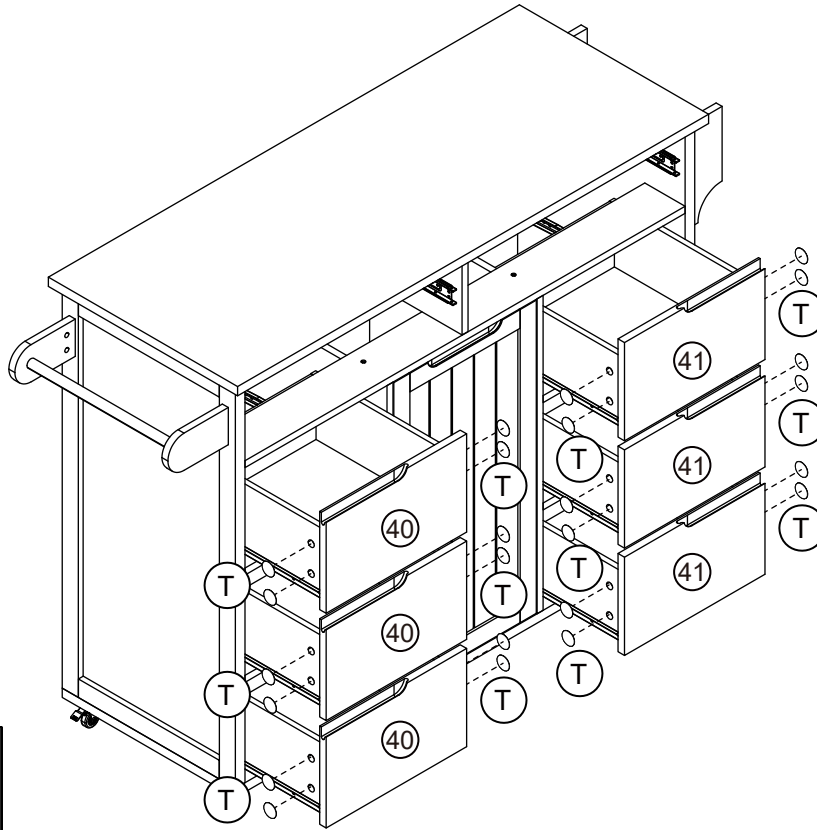


OR



Assembly Instructions

Step 39



Step 40

