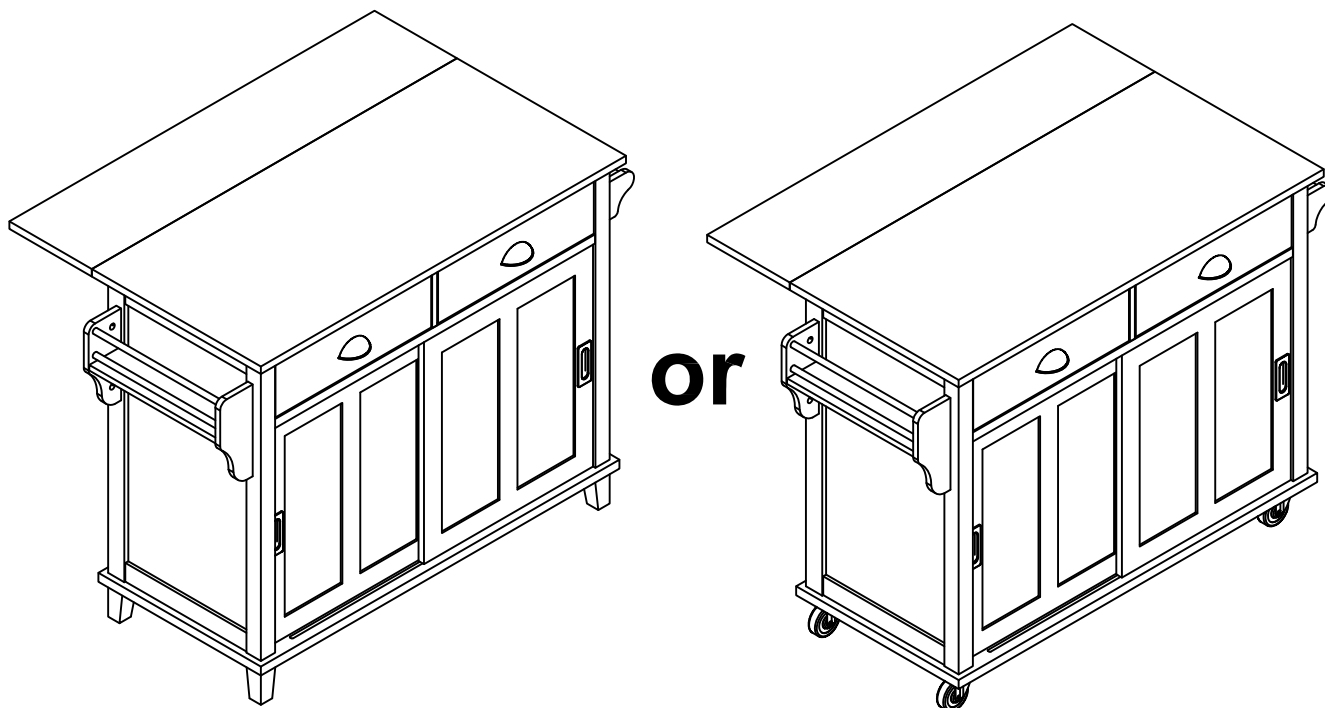


Kitchen Islands Carts

Assembly Instructions - Please keep for future reference

WF295289



Dimensions

Width-44.25inch

Depth-20.5inch

Height-36.5inch

Important – Please read these instructions fully before starting assembly

Issue 1 - 08/10/22



Safety and Care Advice

Important – Please read these instructions fully before starting assembly

- Check you have all the components and tools listed on the following pages.
- Remove all fittings from the plastic bags and separate them into their groups.
- Keep children and animals away from the work area, small parts could choke if swallowed.
- Make sure you have enough space to layout the parts before starting.

- During assembly do not stand or put weight on the product, this could cause damage.
- Assemble the item as close to its final position (in the same room) as possible.
- Assemble on a soft level surface to avoid damaging the unit or your floor.
- Parts of the assembly will be easier with 2 people.



power drill is set on a low torque setting.

- To reduce the likelihood of damaging your product please ensure that your

Care and maintenance

- Only clean using a damp cloth and mild detergent, do not use bleach or abrasive cleaners.
- From time to time check that there are no loose screws on this unit.
- This product should not be discarded with household waste. Take to your local authority waste disposal centre.

Handy Hints

- Assemble all parts and bolts loosely during assembly, only once the product is complete should you fully tighten the bolts
- Regularly check and ensure That all bolts and fittings are tightend properly.

WARNING In order to help prevent overturning – please follow these instructions

To help prevent product toppling over please follow the below steps:-

Use the anti tip stap or wall fixing method provided (if applicable)
Do not allow children to climb or hang on the furniture
Do not open more than one drawer at a time
Do not place heavy items in the top drawers
Do not place heavy items on top of the furniture, unless the furniture has been designed for this purpose










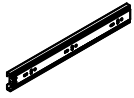












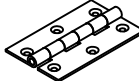

Please note that only the anti tip strap is provided.

You will need to provide wall plugs and screws applicable for your wall type

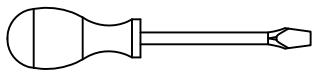
Components - Fittings

Please check you have all the panels listed below

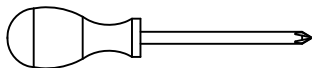
Note: The quantities below are the correct amount to complete the assembly. In some cases more fittings may be supplied than are required.

 (A) Dowel x40	 (B) Cam Bolt x42	 (C) Cam lock x34	 (D) Male Camlock x8
 (E) 4*35mm Screw x11	 (F) Drawer Handle x2	 (G) 4*18mm Bolt x4	 (H) Door Handle x2
 (I) 4*10mm Bolt x4	 (J) Drawer slide 14" x4	 (K) 3.5*12mm Screw x24	 (L) Shelf Support Pin x8
 (M) 6*90mm Bolt x4	 (N) Flat Washer x4	 (O) Lock Washer x4	 (P) Allen Key x1
 (Q) Locking Caster x2	 (R) Caster x2	 (S) 6*12mm Bolt x16	 (T) Support Hinges x1
 (U) 4*15mm Screw x4	 (V) 6*32mm Bolt x4	 (W) Butt Hinge x3	 (X) 3.5*15mm Screw x18

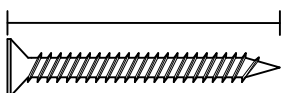
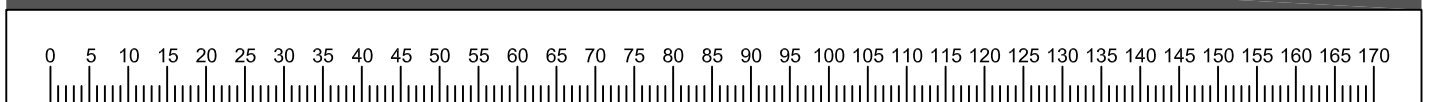
Tools required



Phillips screwdriver
(medium & large)



Ruler - Use this ruler to help correctly identify the screws



The screws length is measured from the head to the point (35mm screw shown).

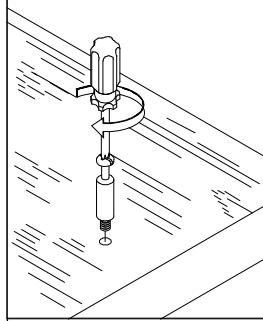
Using Camlocks

Step 1

Connect the male camlock as directed in the assembly instructions using a screwdriver.

1

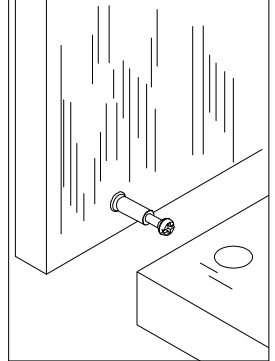
DO NOT OVER TIGHTEN.
NE PAS SERRER EXCESSIVEMENT.



Step 2

Push the male camlock into the entry hole.

2

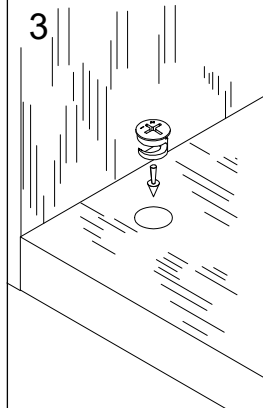


Step 3

Insert the female camlock as shown in the instruction.

Note: ensure that the arrow on the top of the camlock points towards the entry hole for the male camlock.

3



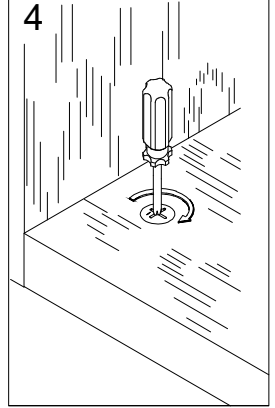
Step 4

Turn the female camlock clockwise with a screwdriver.

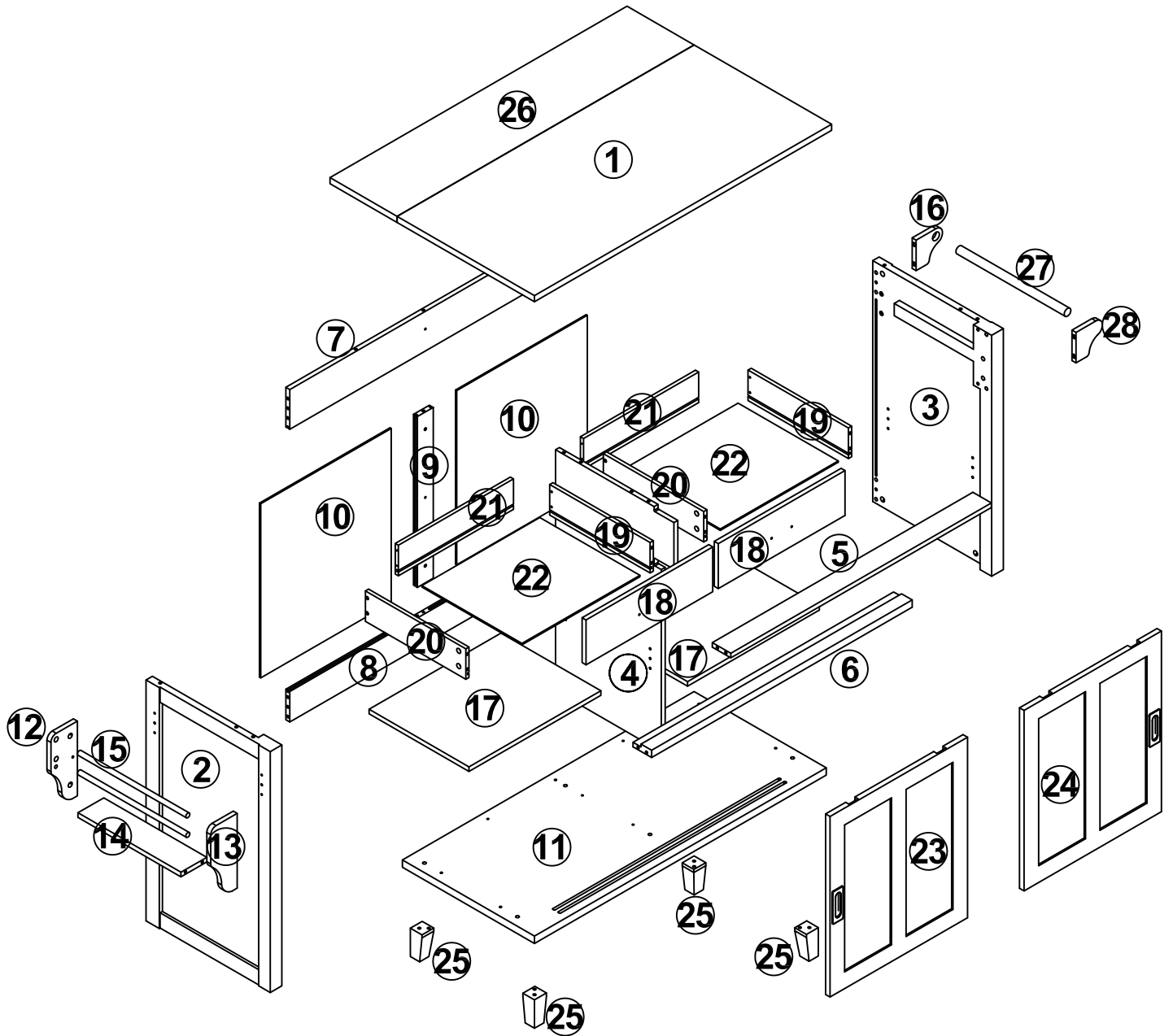
You should feel a click when the camlock is locked in place.

The joint is now secure.

4

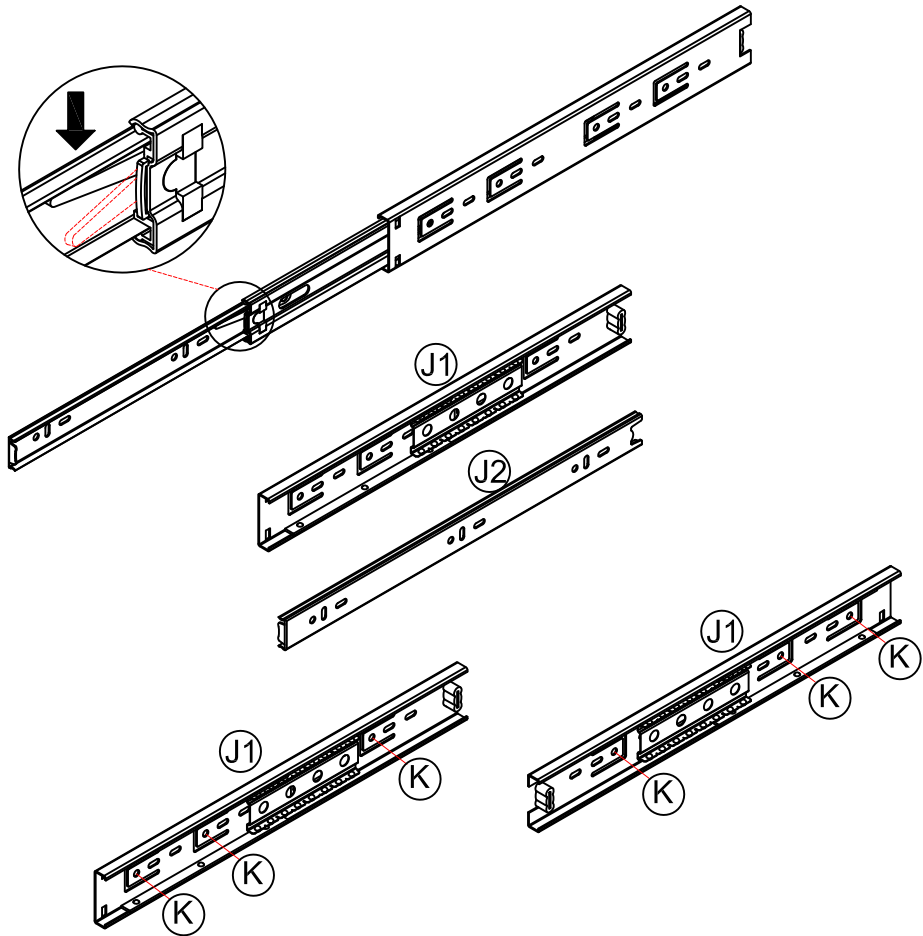


Assembly Instructions

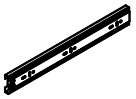


Assembly Instructions

Step 1

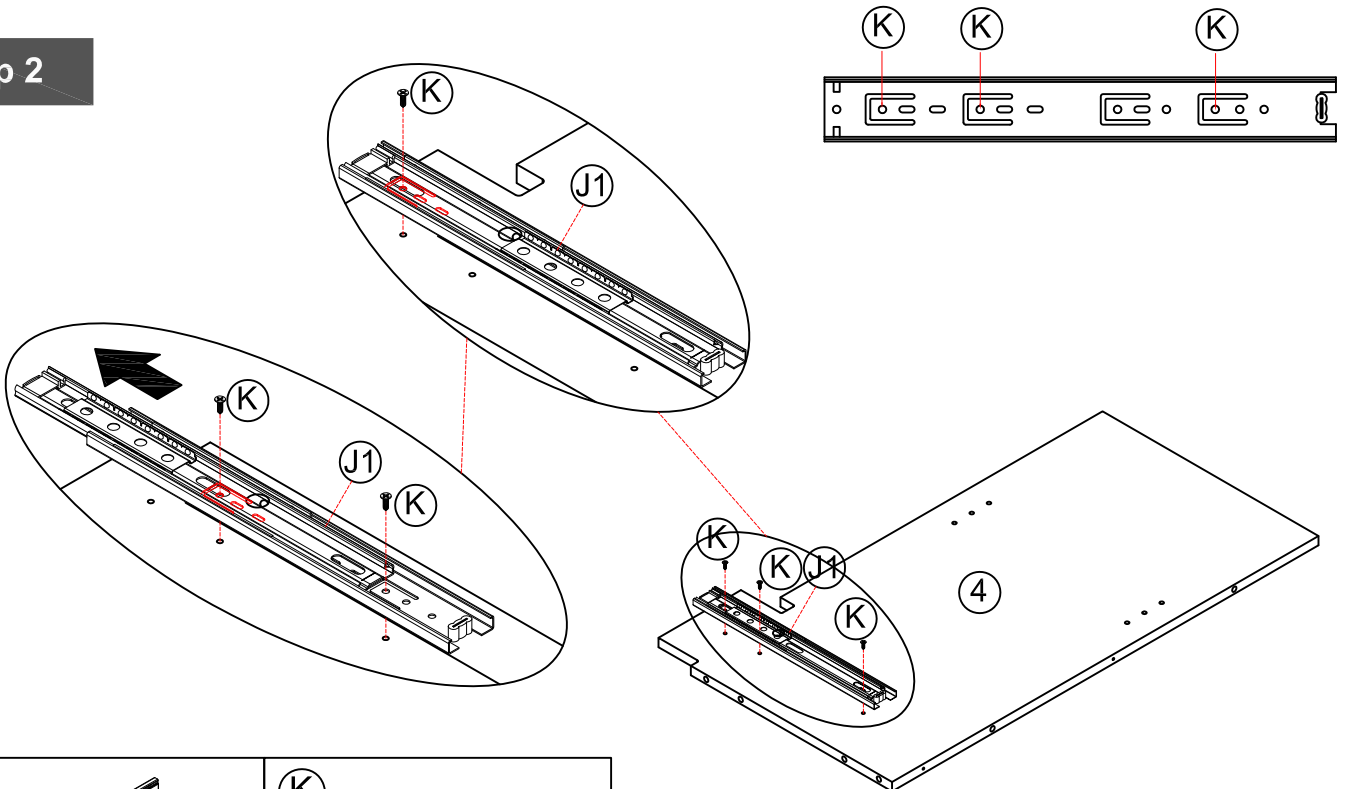


J

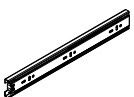


Drawer slide 14" x4

Step 2



J1



Drawer slide 14" x1

K

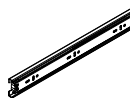


3.5*12mm Screw x3

Assembly Instructions

Step 3

(J1)

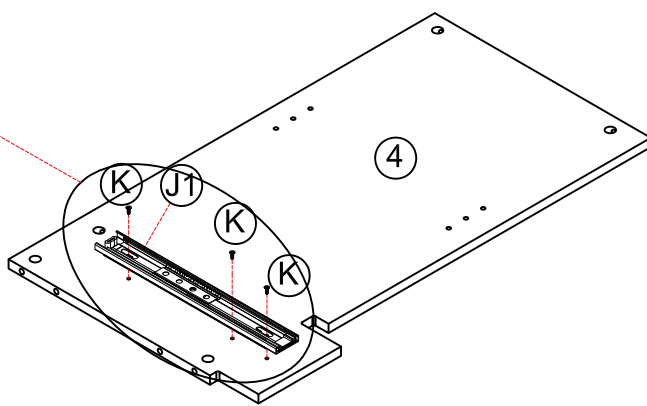
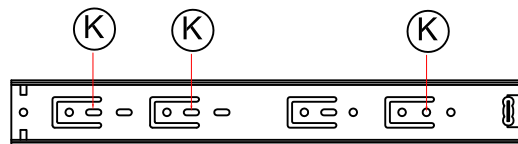
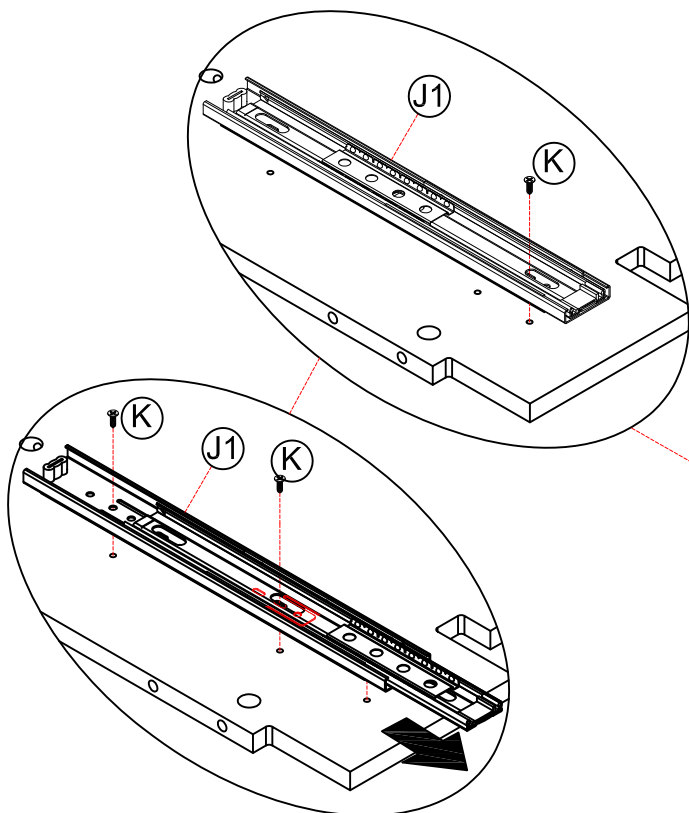


Drawer slide 14" x1

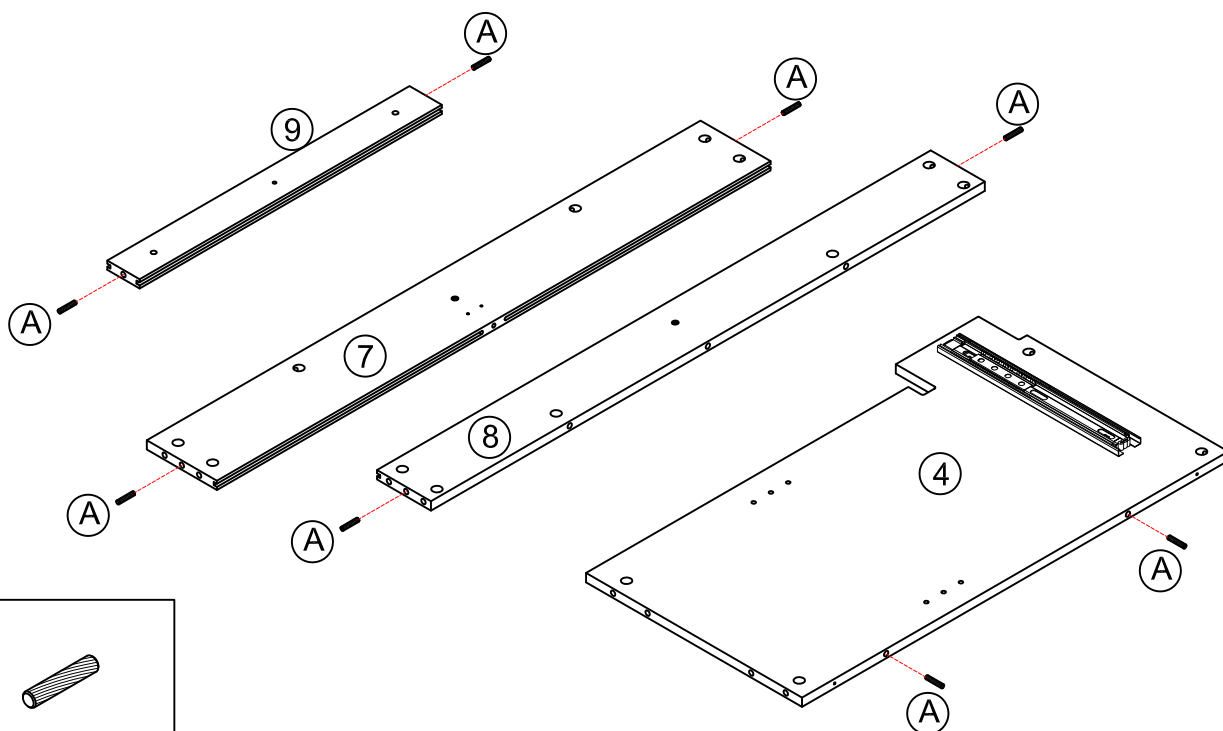
(K)



3.5*12mm Screw x3



Step 4



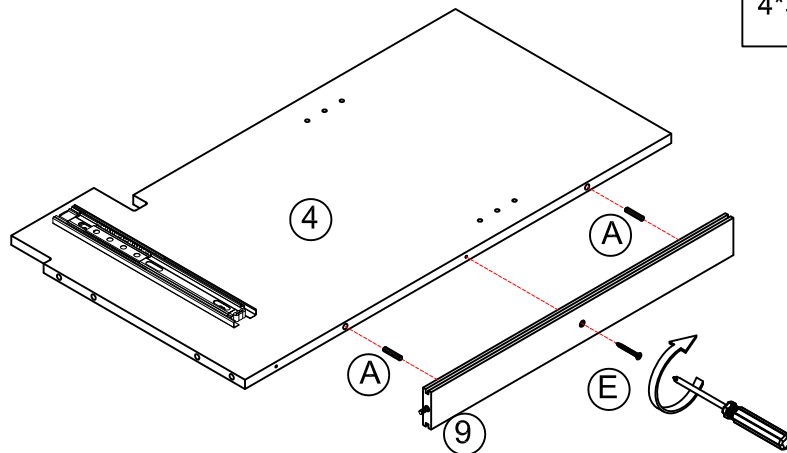
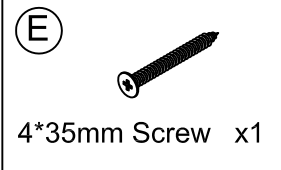
(A)



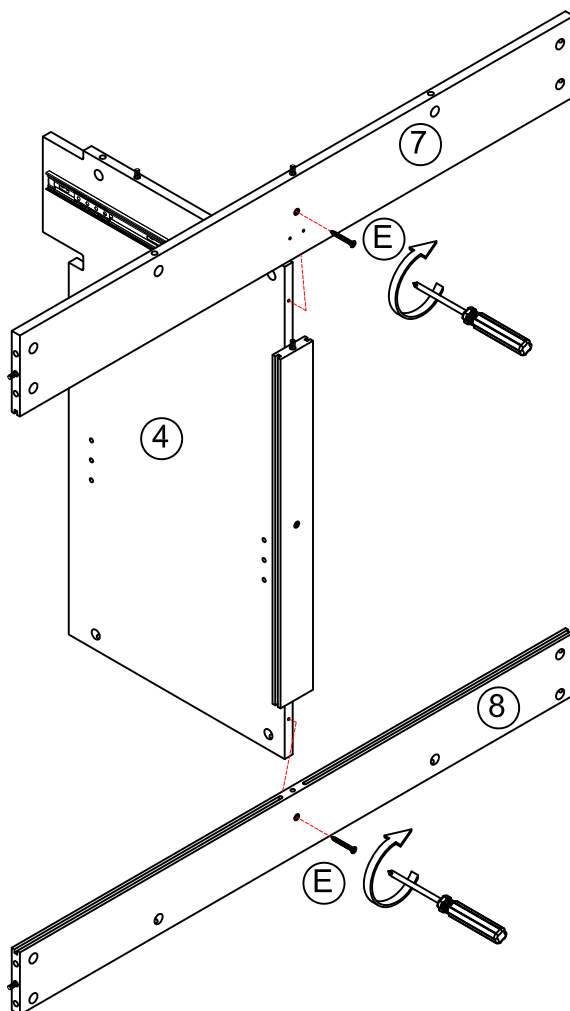
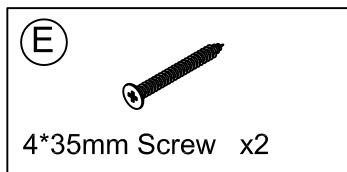
Dowel x8

Assembly Instructions

Step 5

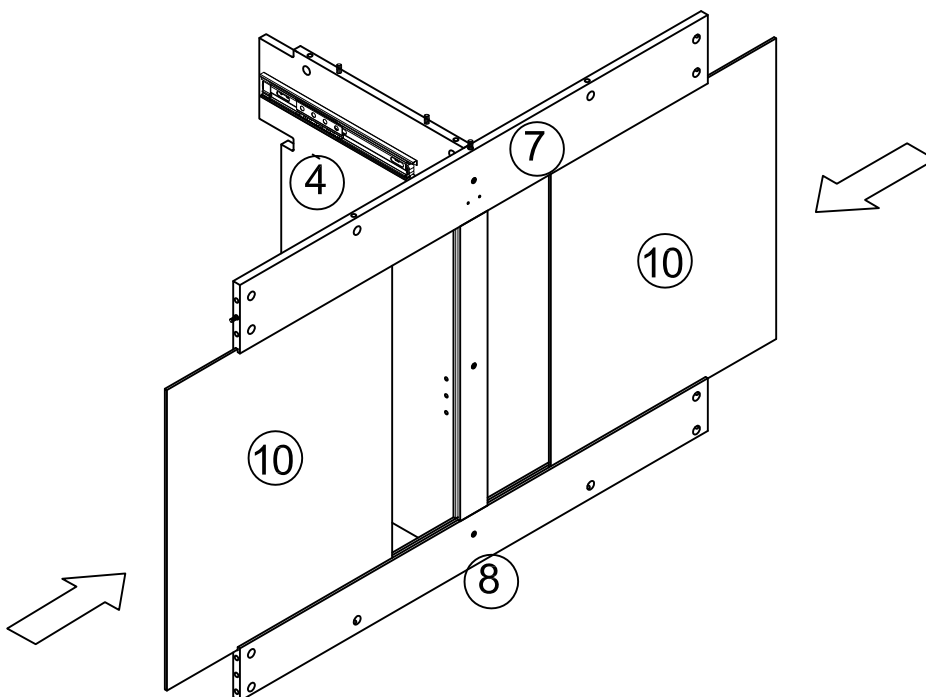


Step 6

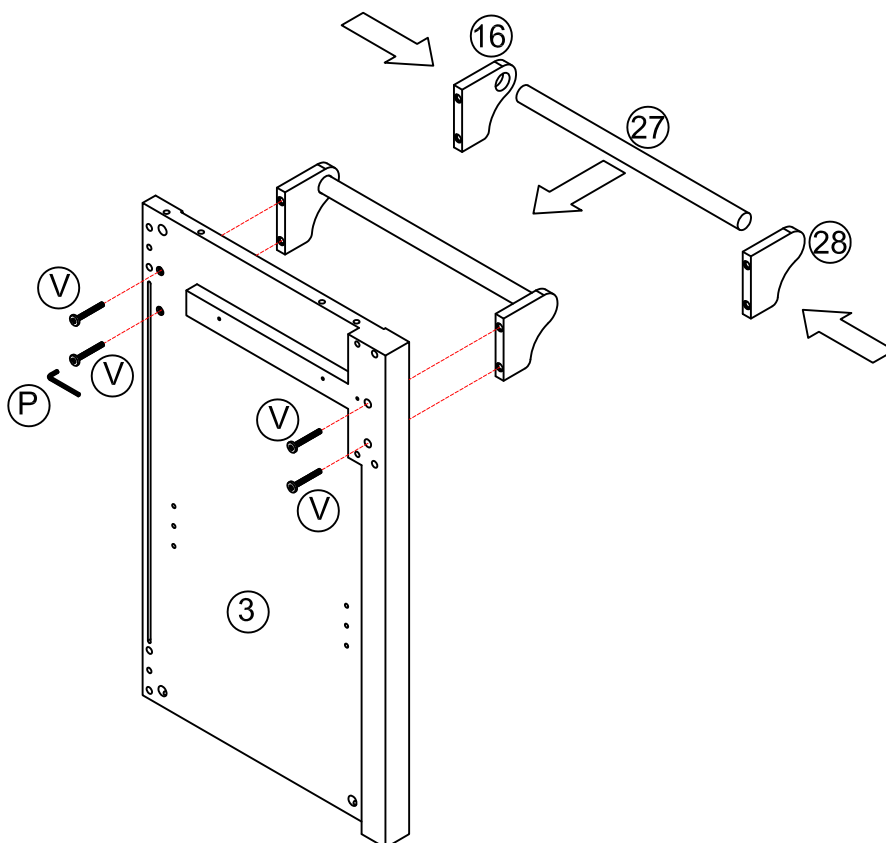
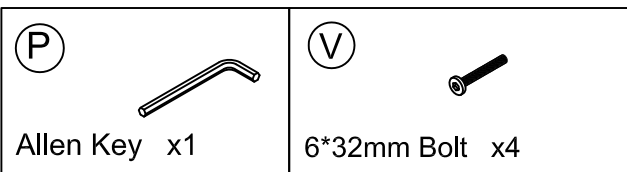


Assembly Instructions

Step 7



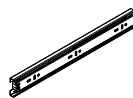
Step 8



Assembly Instructions

Step 9

J1

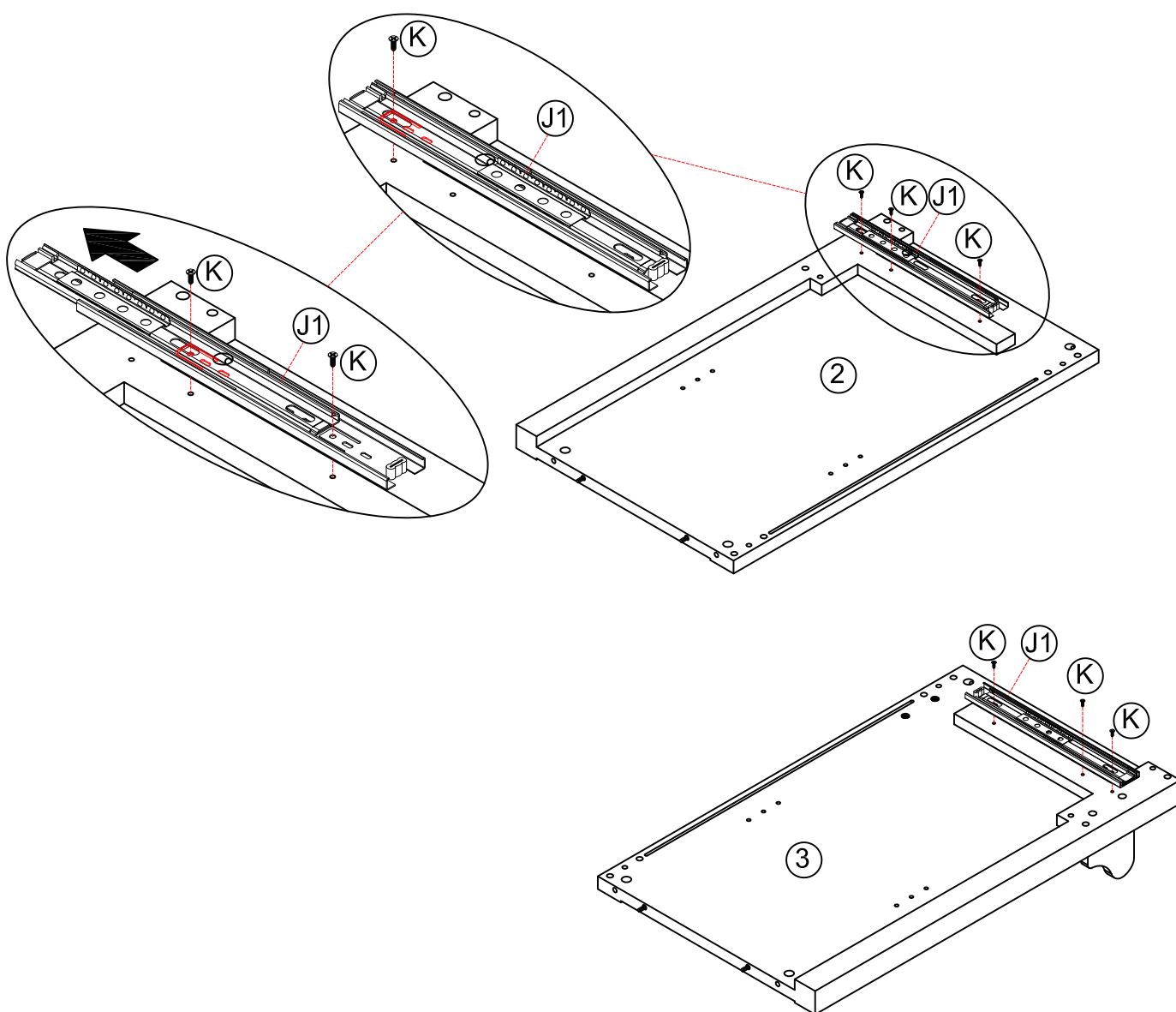
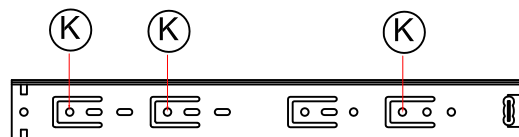


Drawer slide 14" x2

K

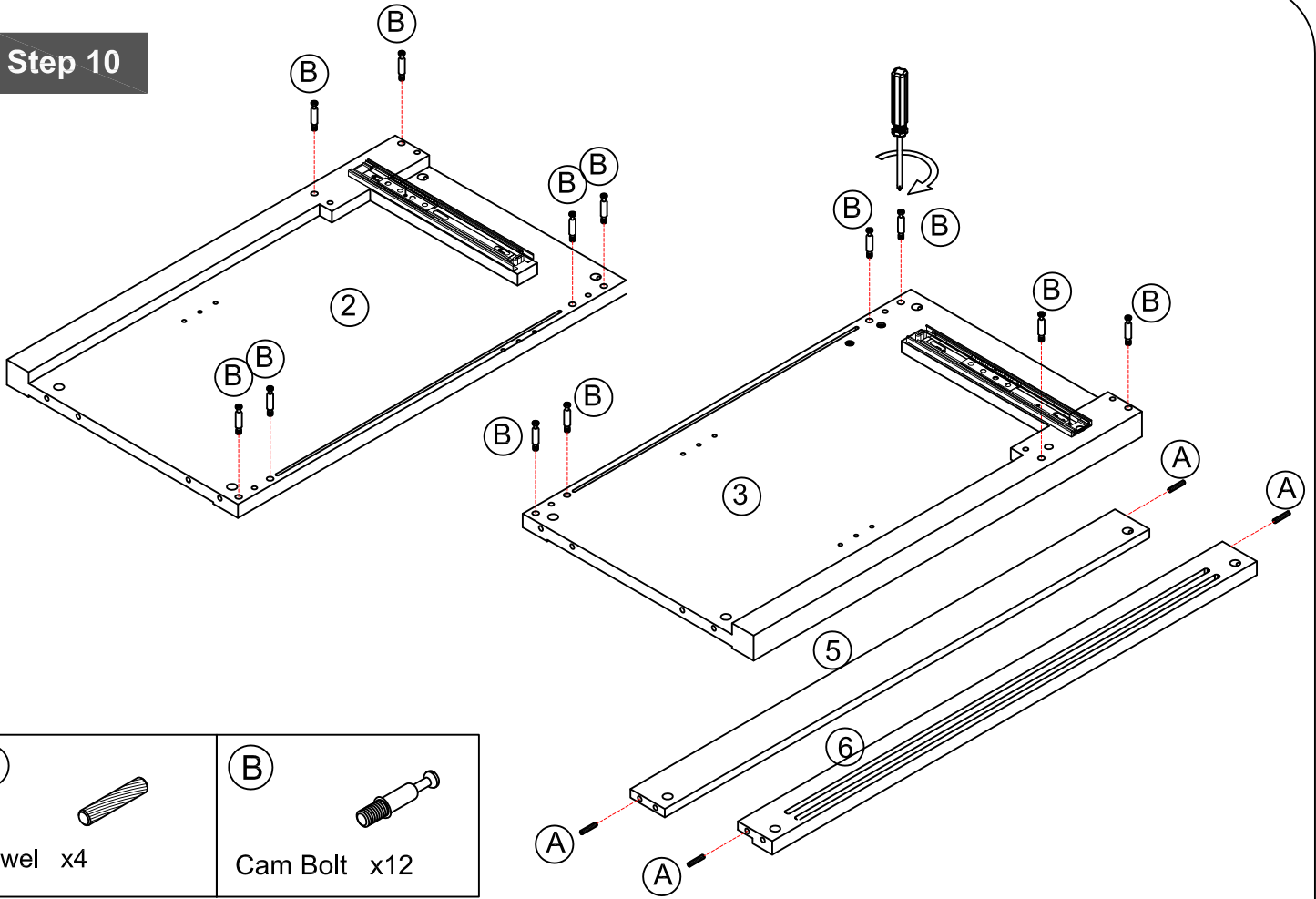


3.5*12mm Screw x6

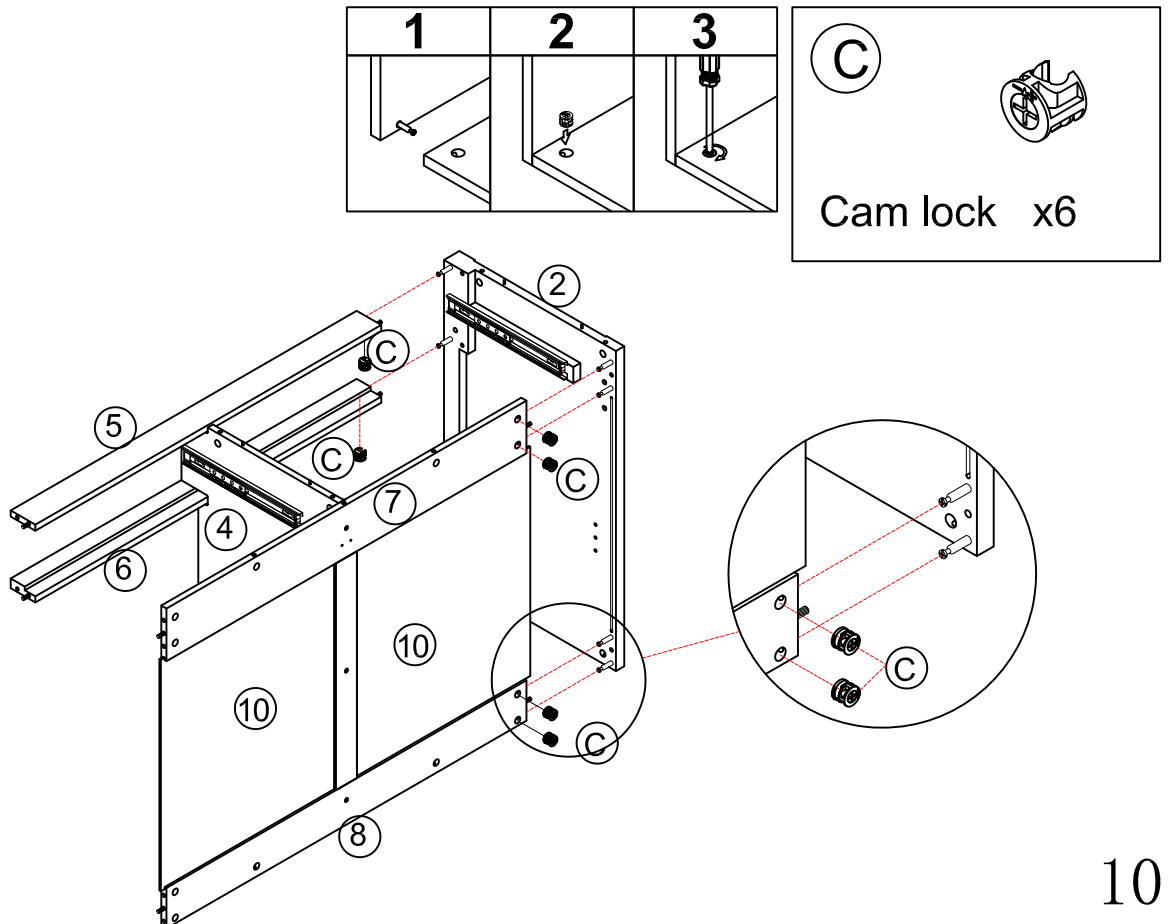


Assembly Instructions

Step 10

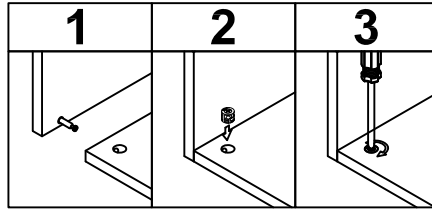


Step 11

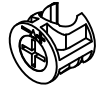


Assembly Instructions

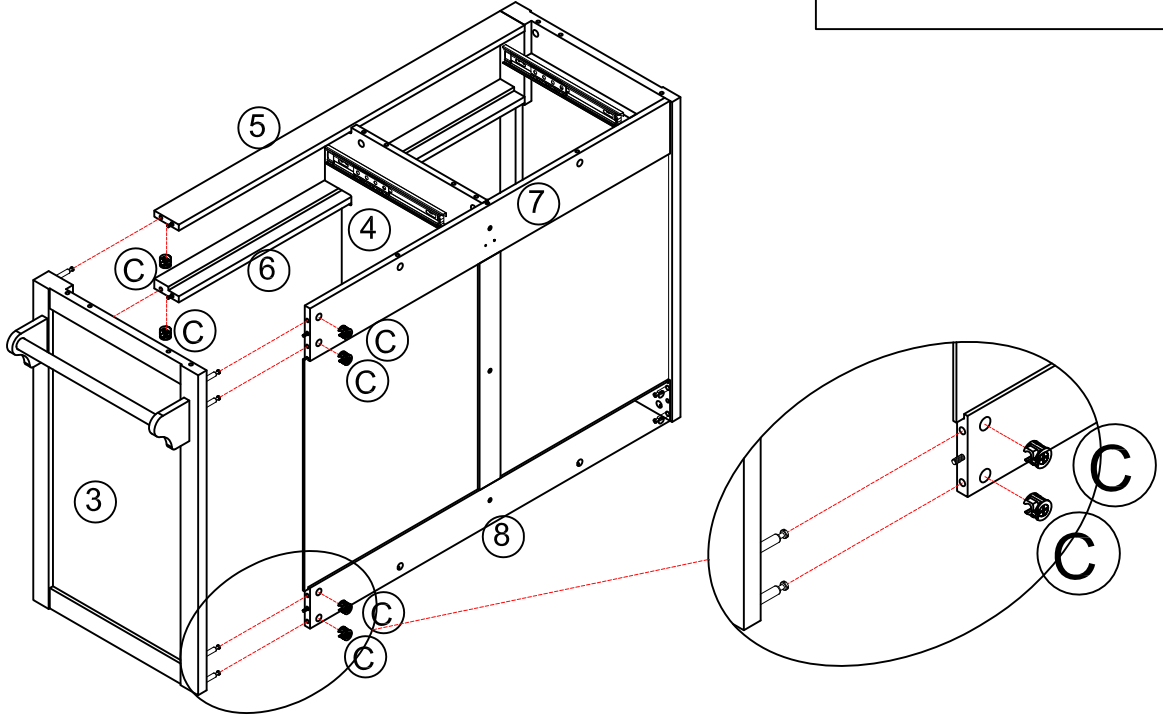
Step 12



(C)



Cam lock x6

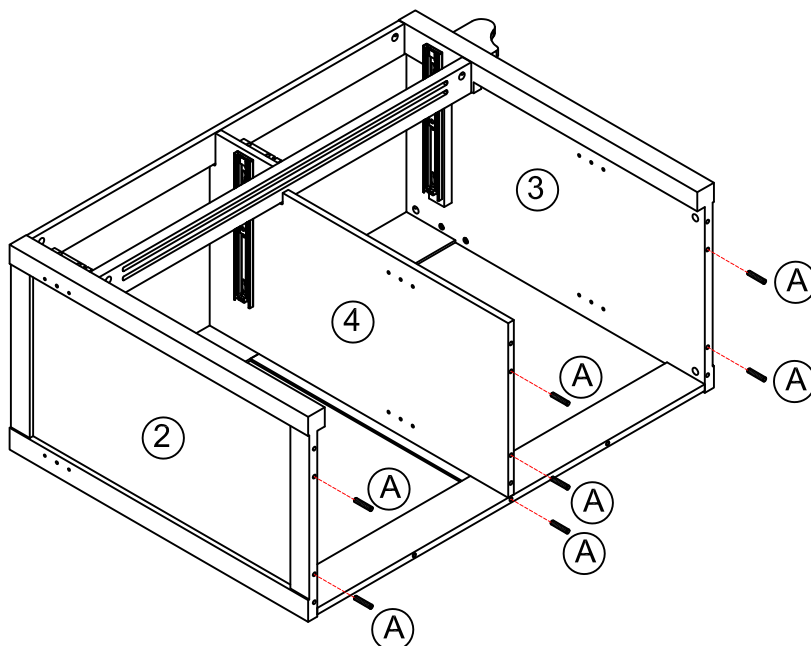


Step 13

(A)

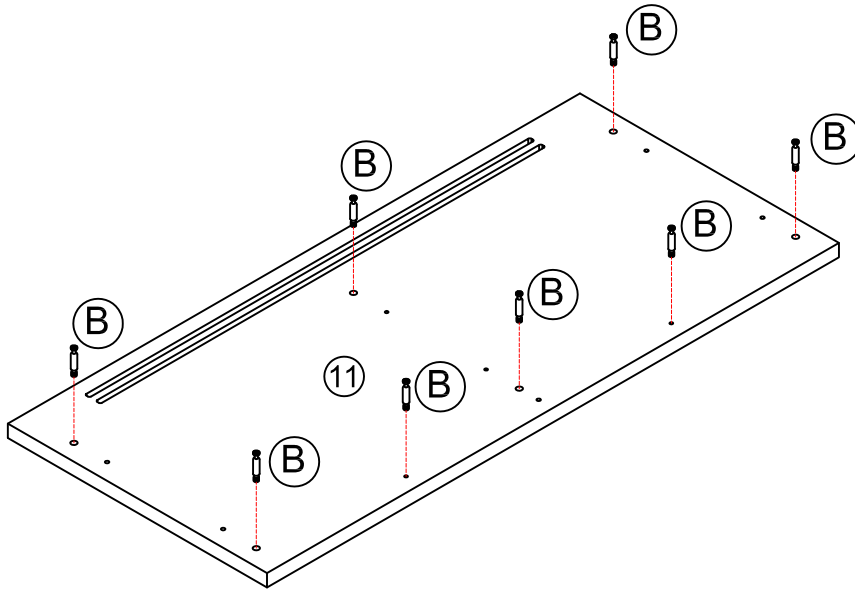
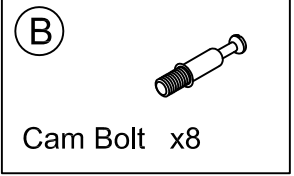


Dowel x7

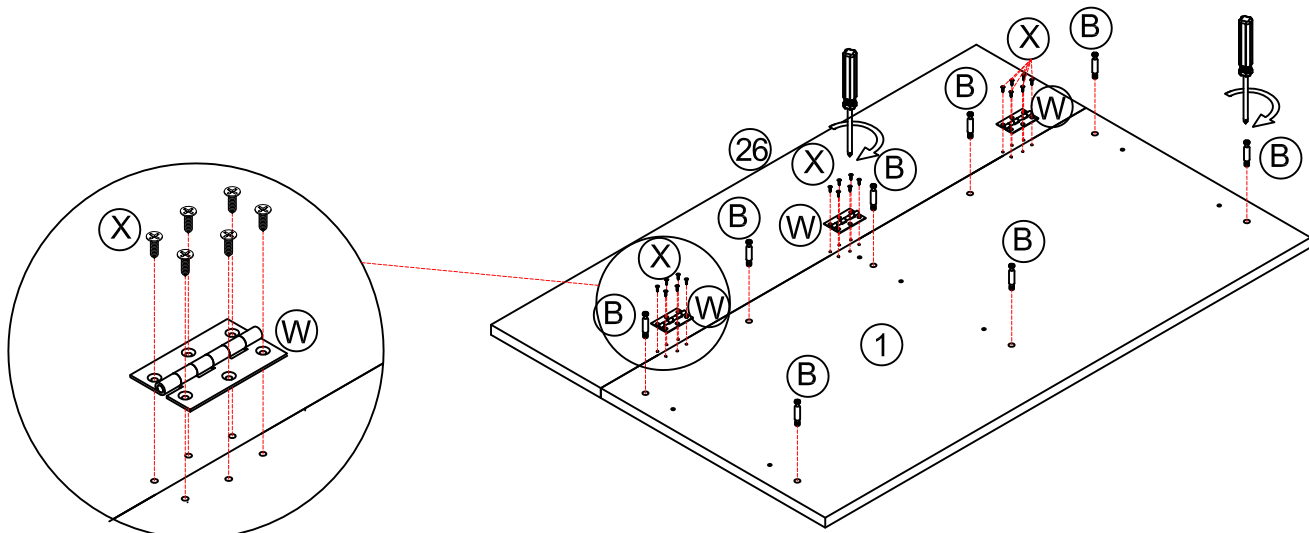
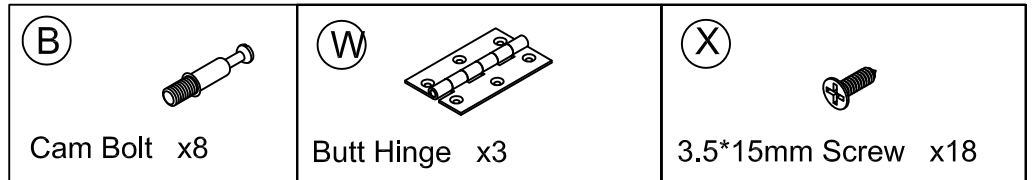


Assembly Instructions

Step 14

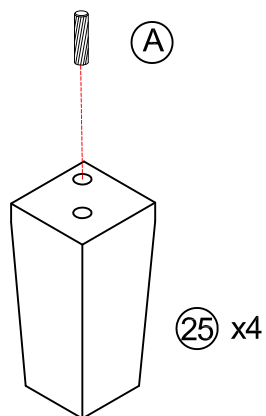
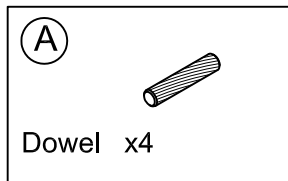


Step 15

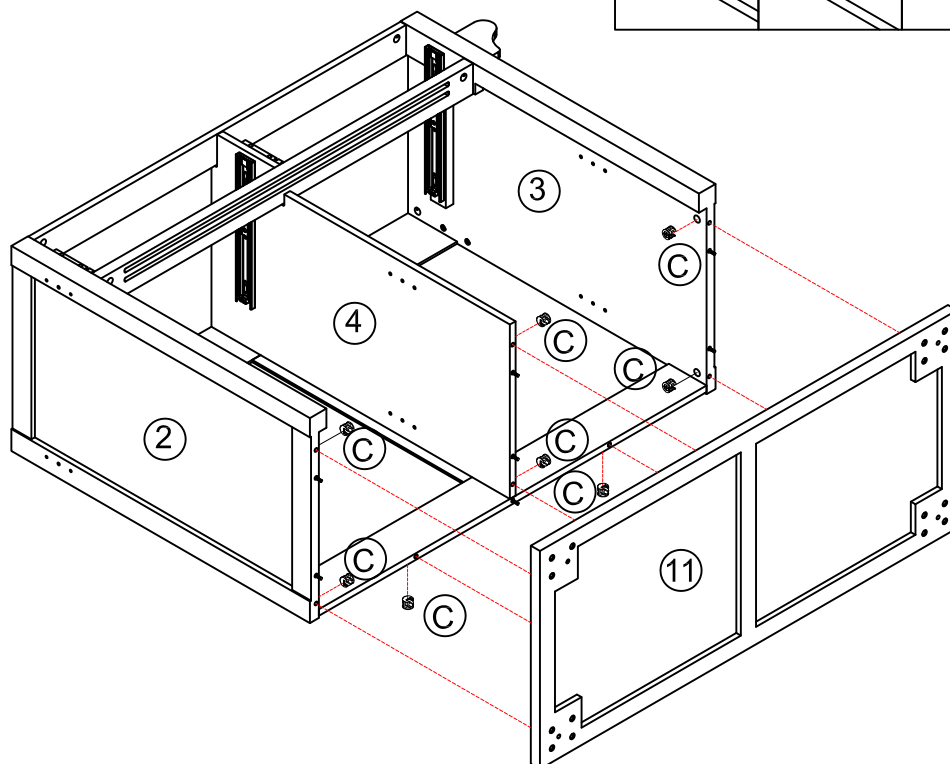
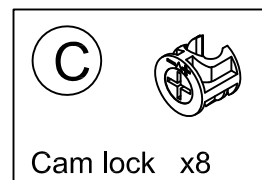
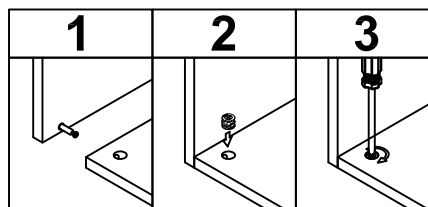


Assembly Instructions

Step 16



Step 17



Assembly Instructions

Step 18

(M)



6*90mm Bolt x4

(N)



Flat Washer x4

(O)

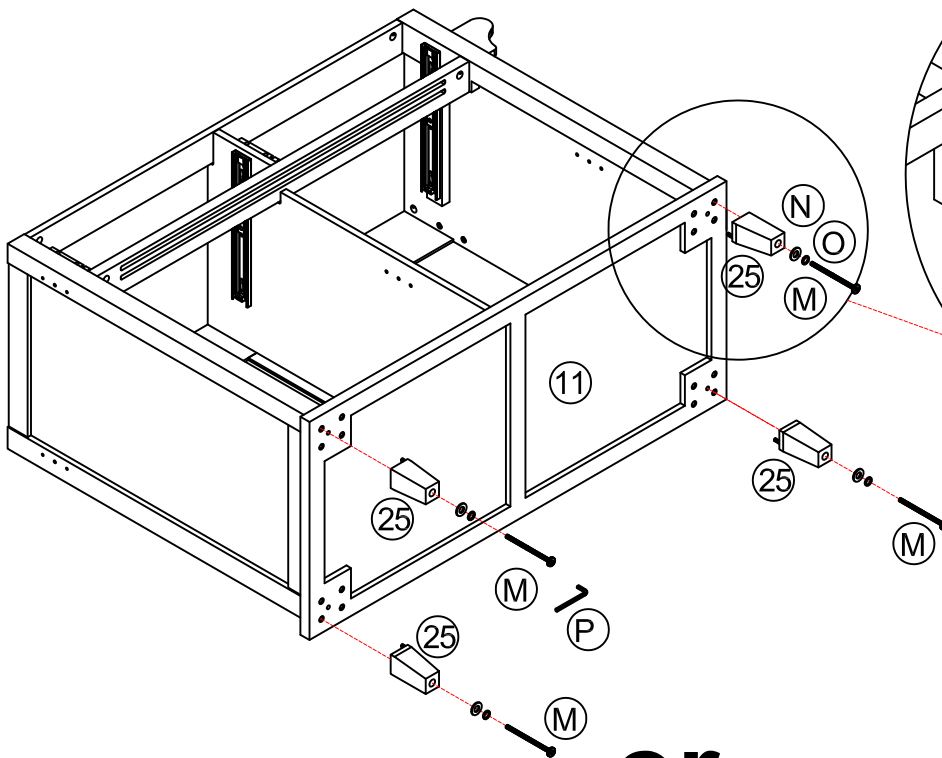


Lock Washer x4

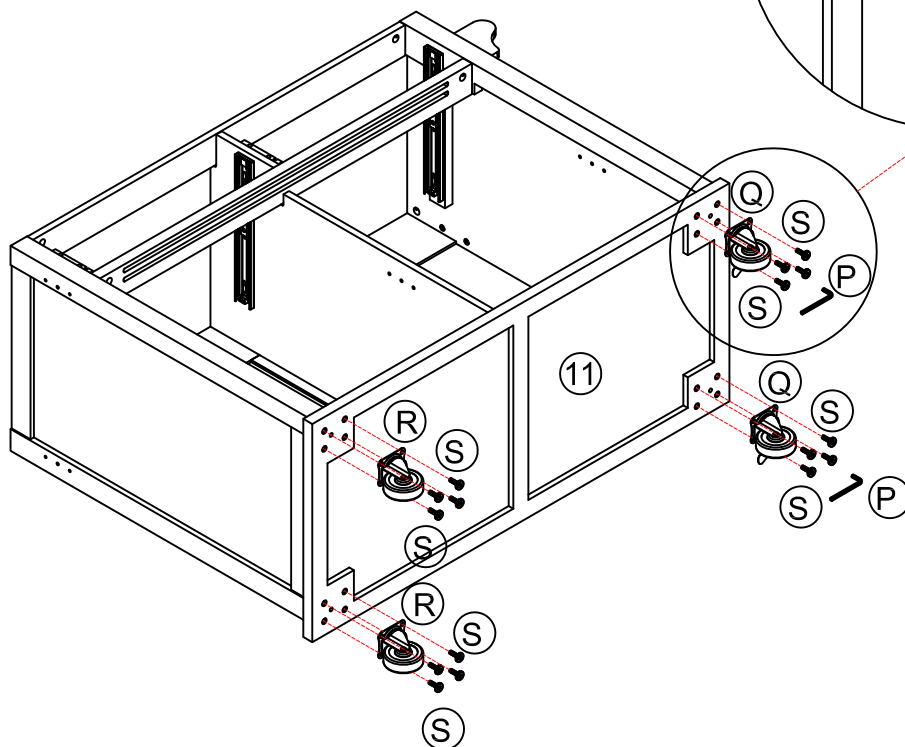
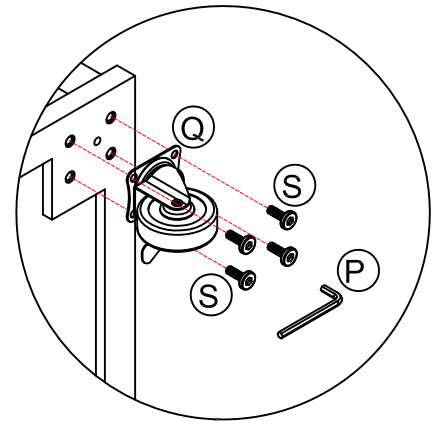
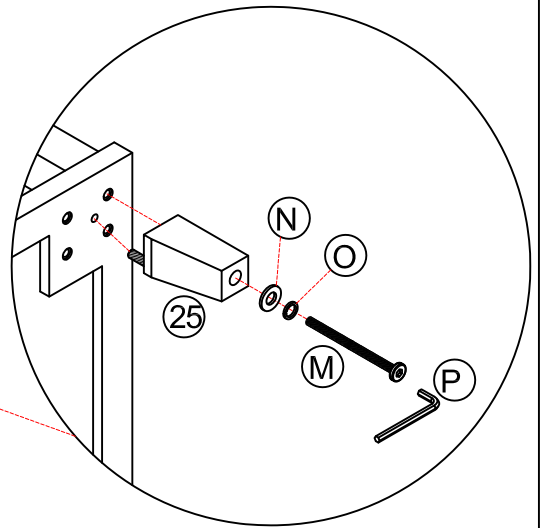
(P)



Allen Key x1



or



(P)



Allen Key x1

(Q)



Locking Caster x2

(R)



Caster x2

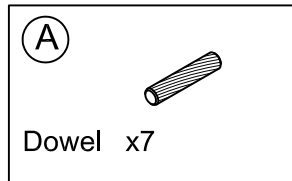
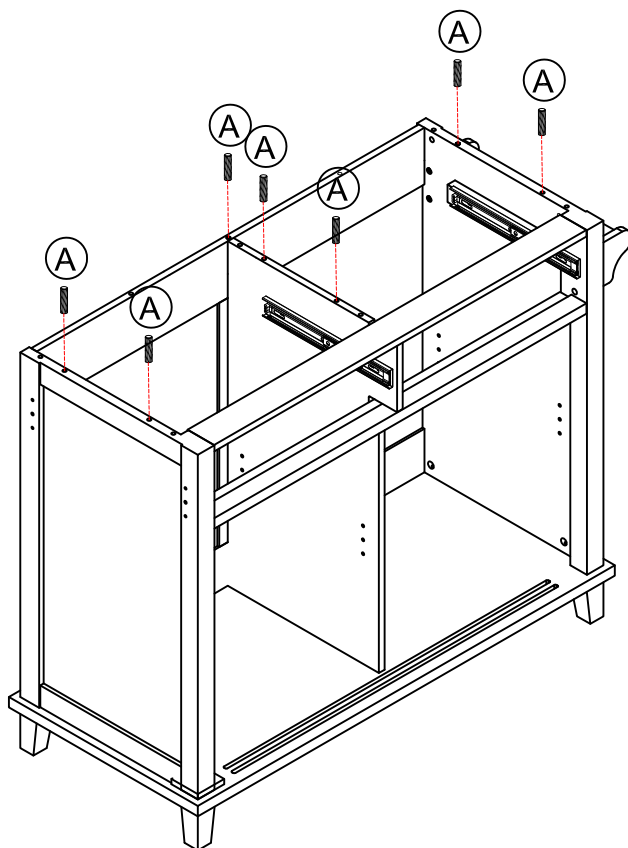
(S)



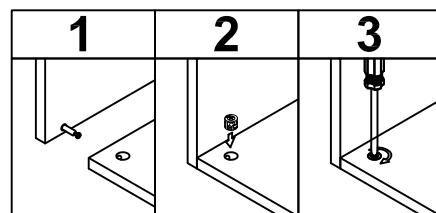
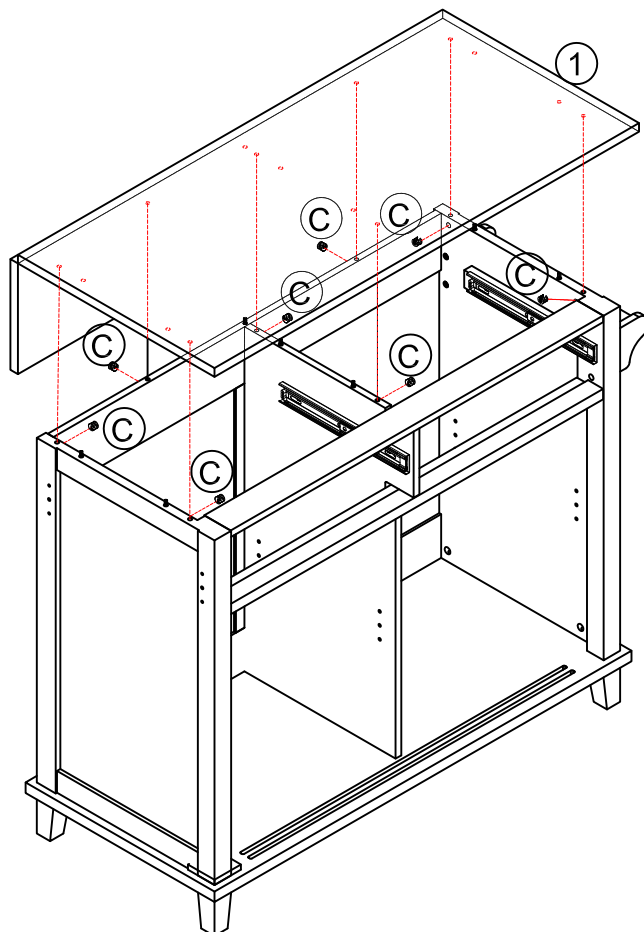
6*12mm Bolt x16

Assembly Instructions

Step 19




Step 20

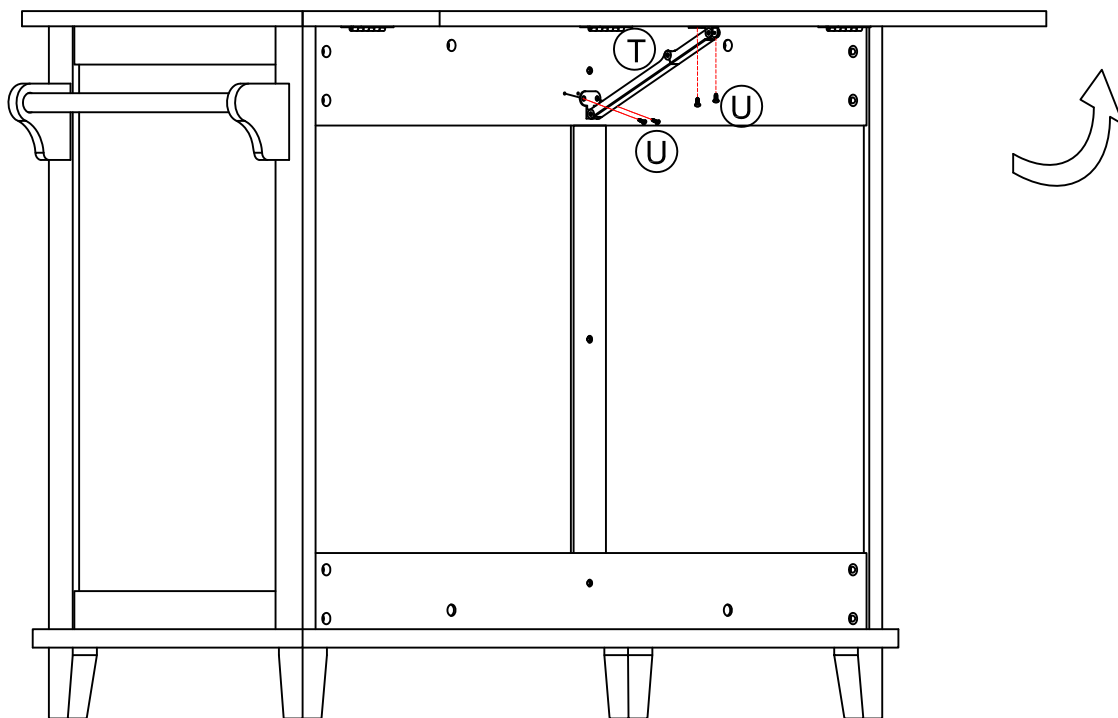


Assembly Instructions

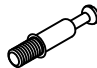
Step 21


(T)  Support Hinges x1

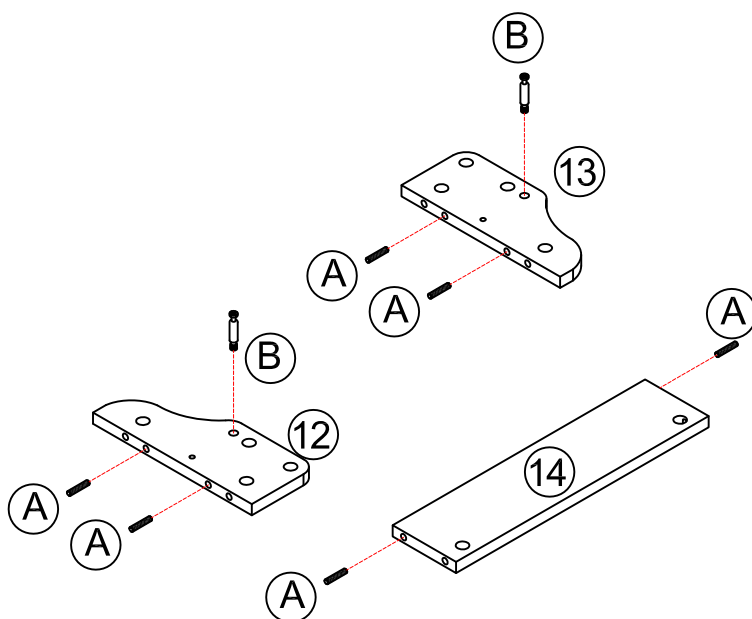
(U)  4*15mm Screw x4



Step 22

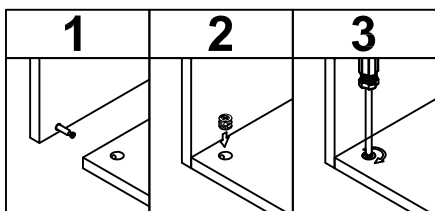
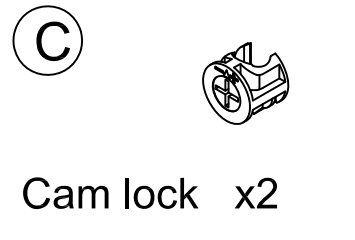
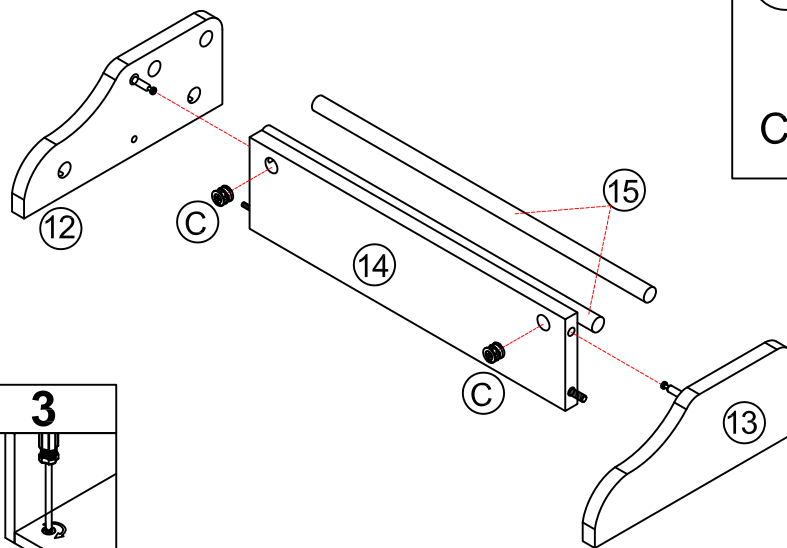
(B)  Cam Bolt x2

(A)  Dowel x6

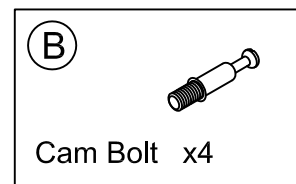
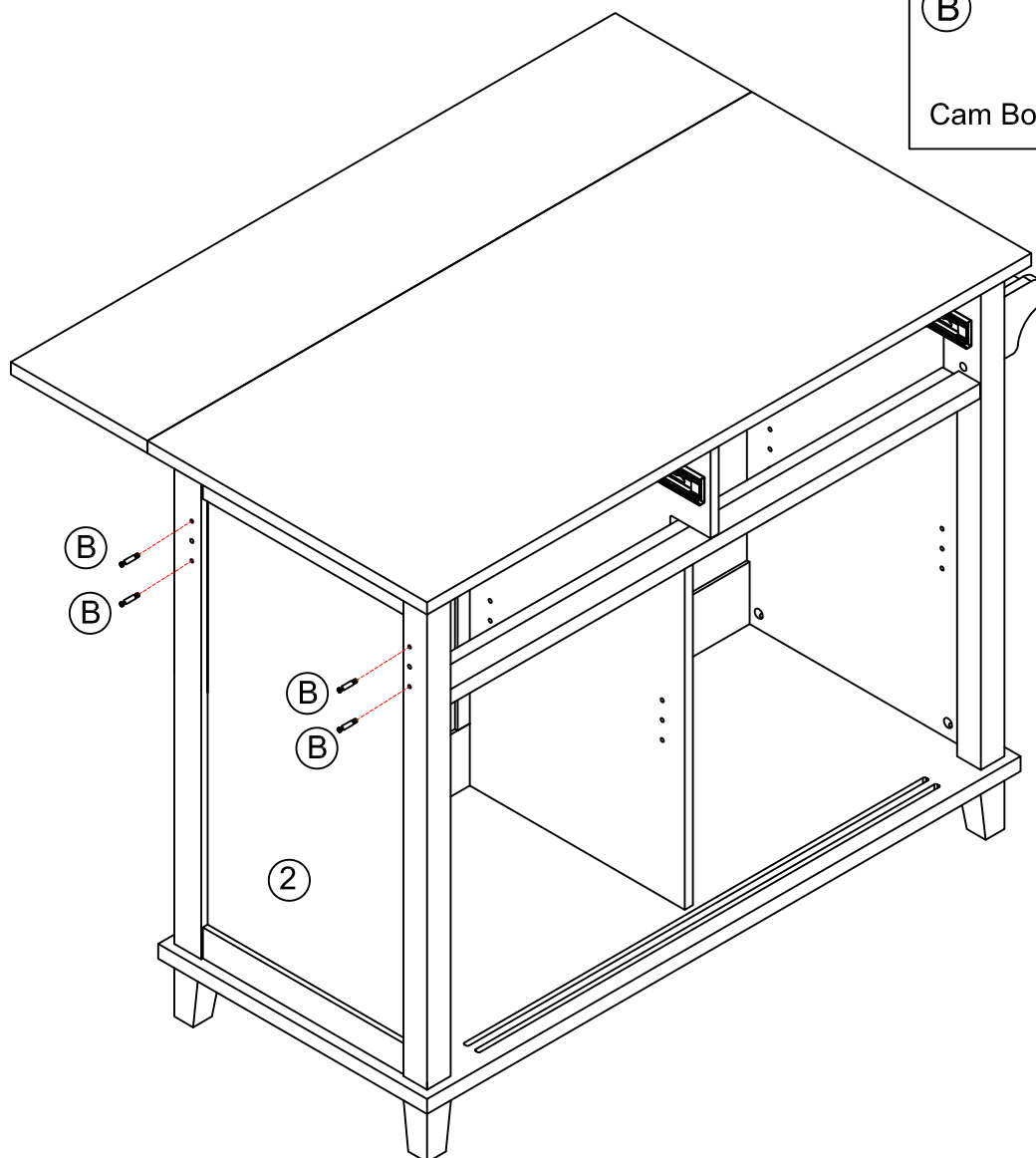


Assembly Instructions

Step 23

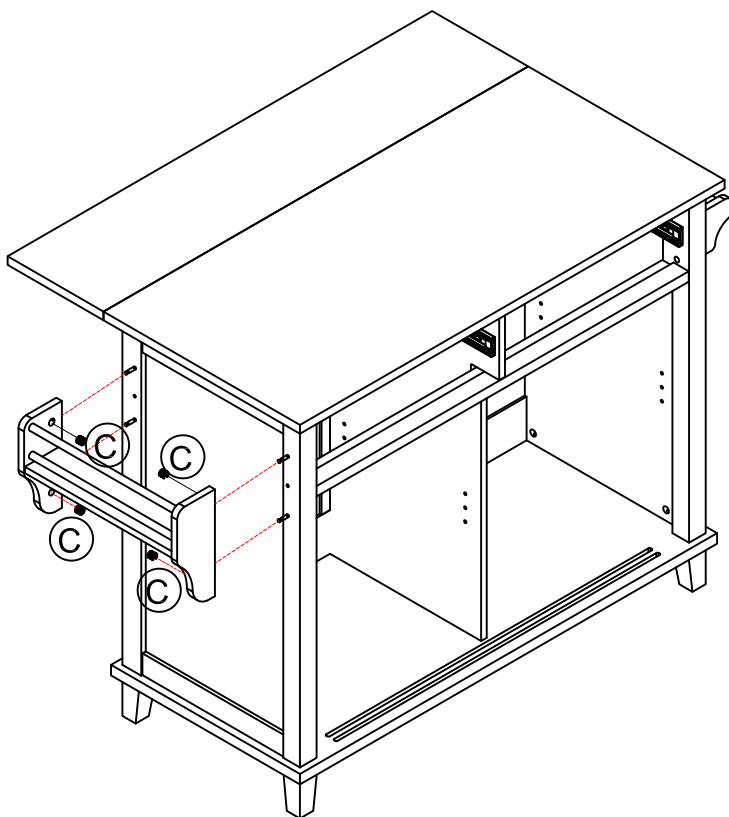


Step 24



Assembly Instructions

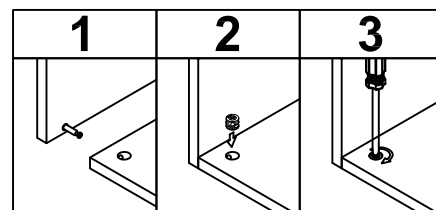
Step 25



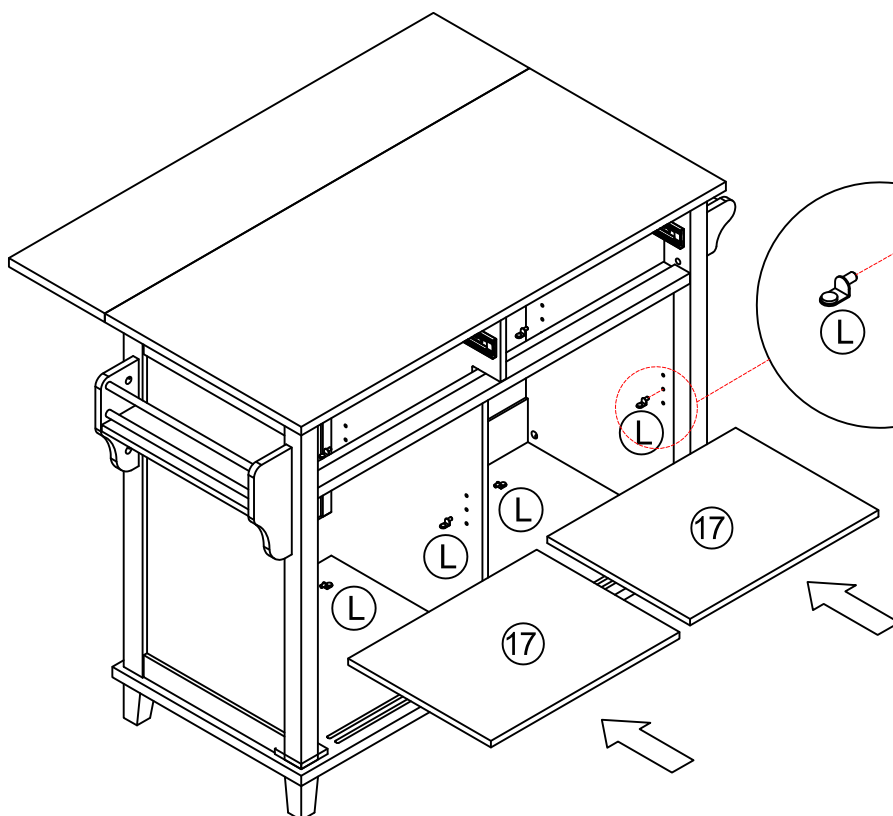
C



Cam lock x4



Step 26



L



Shelf Support Pin x8

Assembly Instructions

Step 27

I

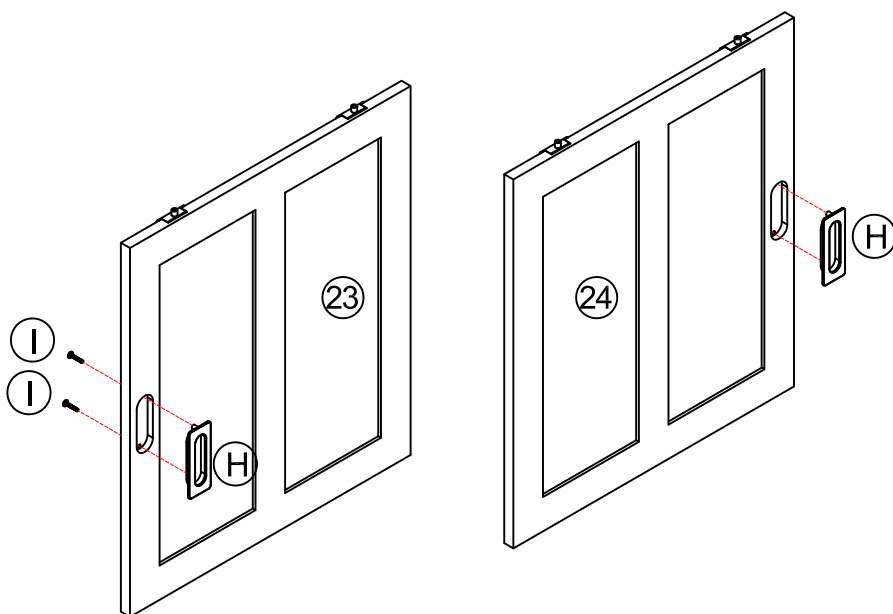


4*10mm Bolt x4

H

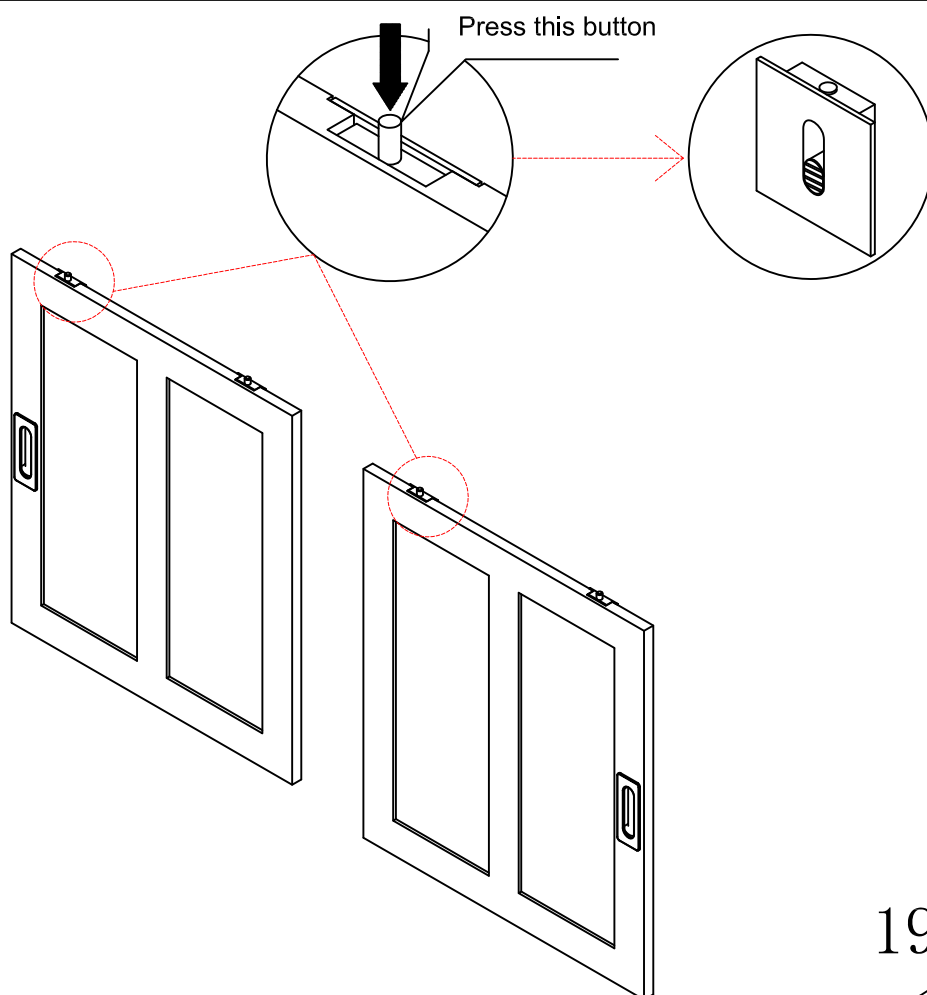


Door Handle x2



Step 28

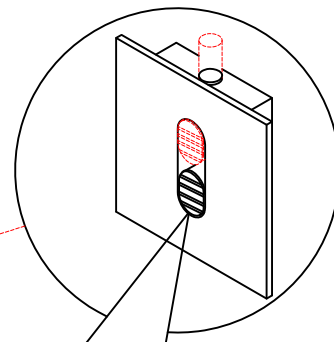
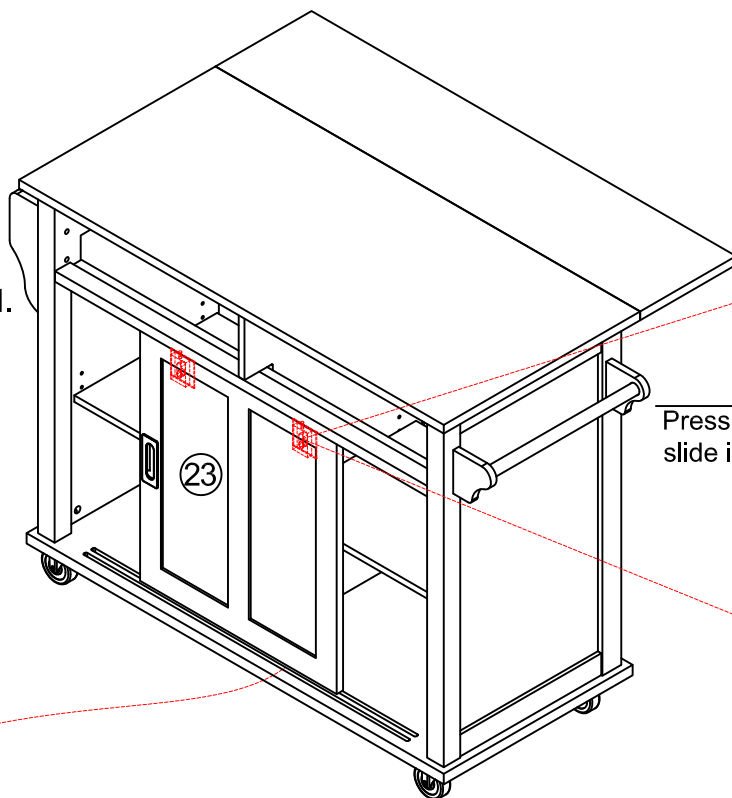
Press the button for left door (23) and right door (24).



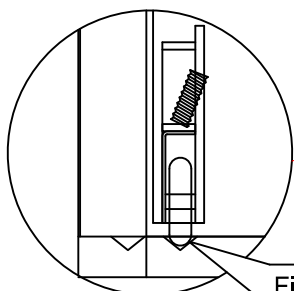
Assembly Instructions

Step 29

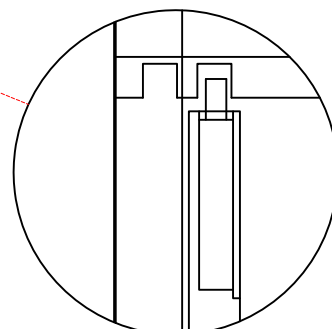
Assemble left door (23) as below described.



Press this button and the guide rod will slide into Article 2 the slot

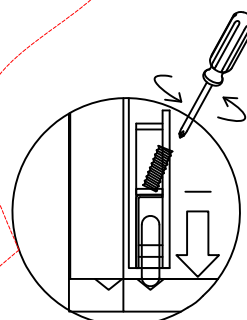
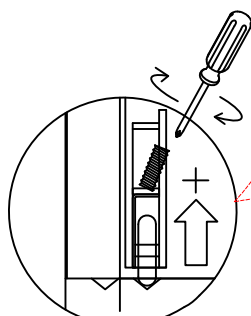
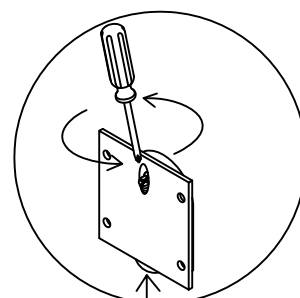
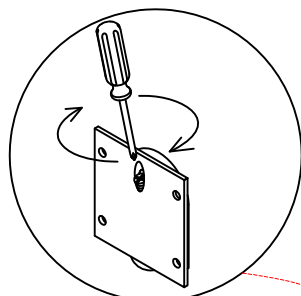
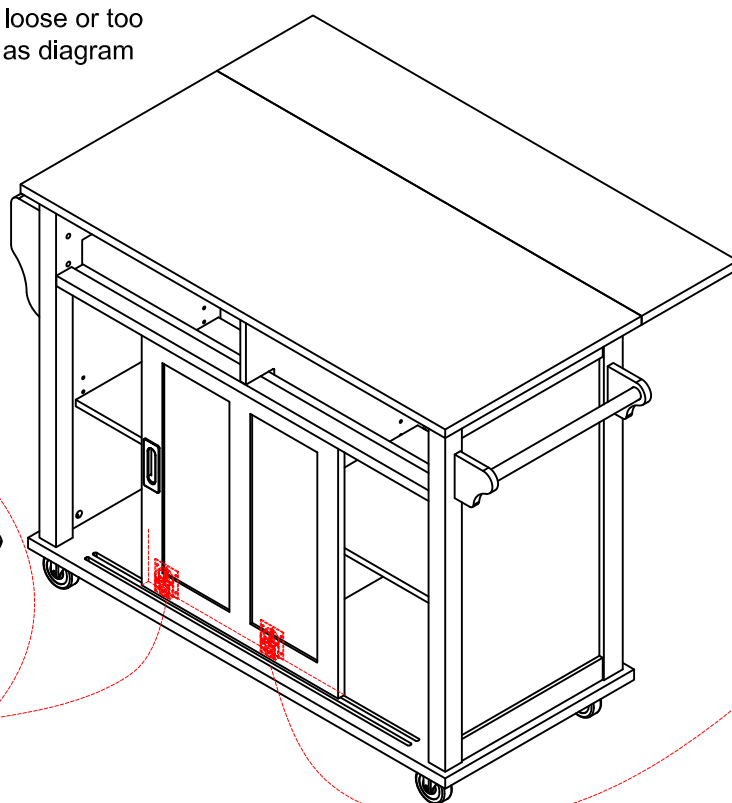


First put the wheels in the Article 2 chute



Step 30

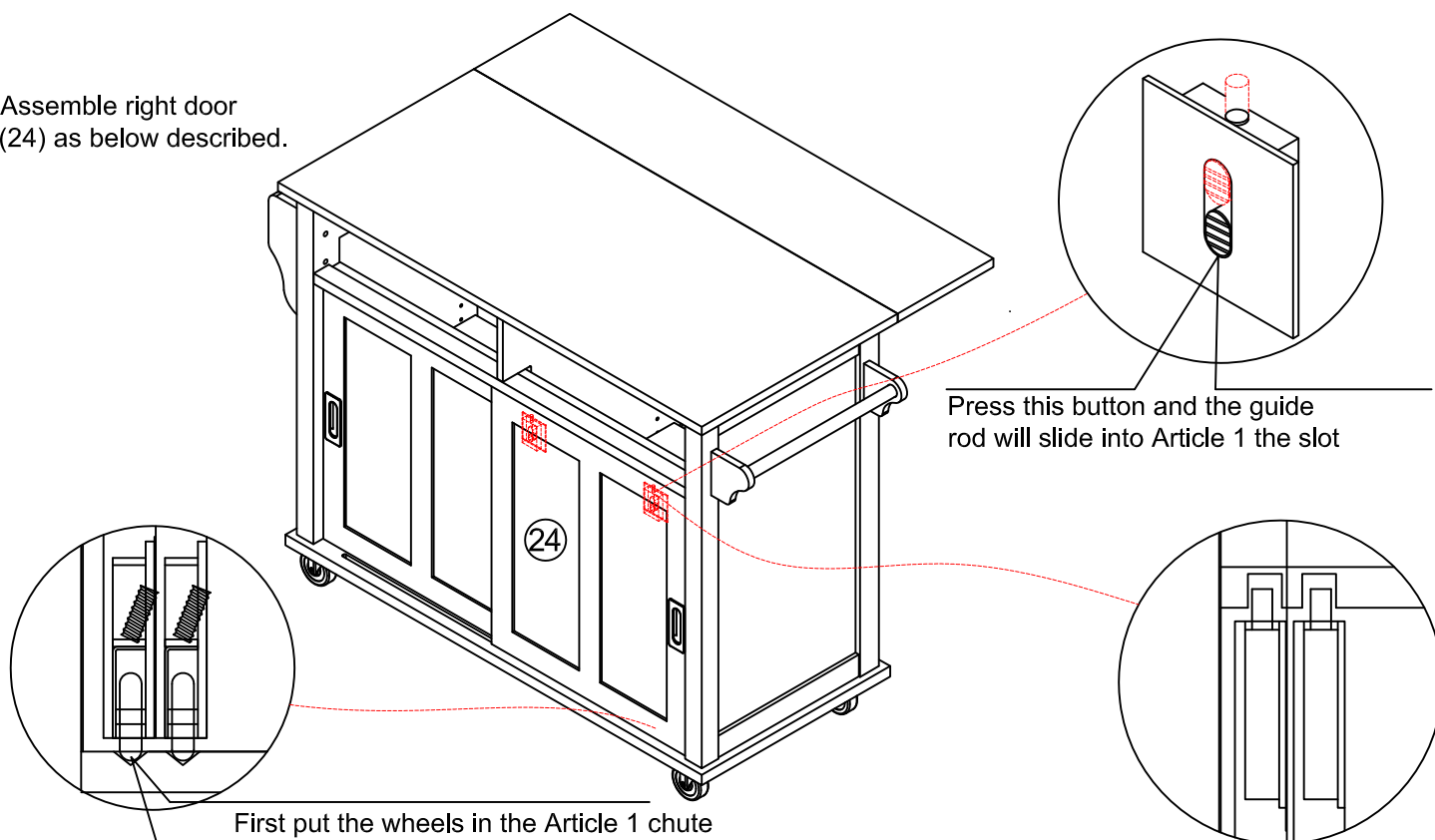
When you think the door is too loose or too tight, you can use this function as diagram shown below.



Assembly Instructions

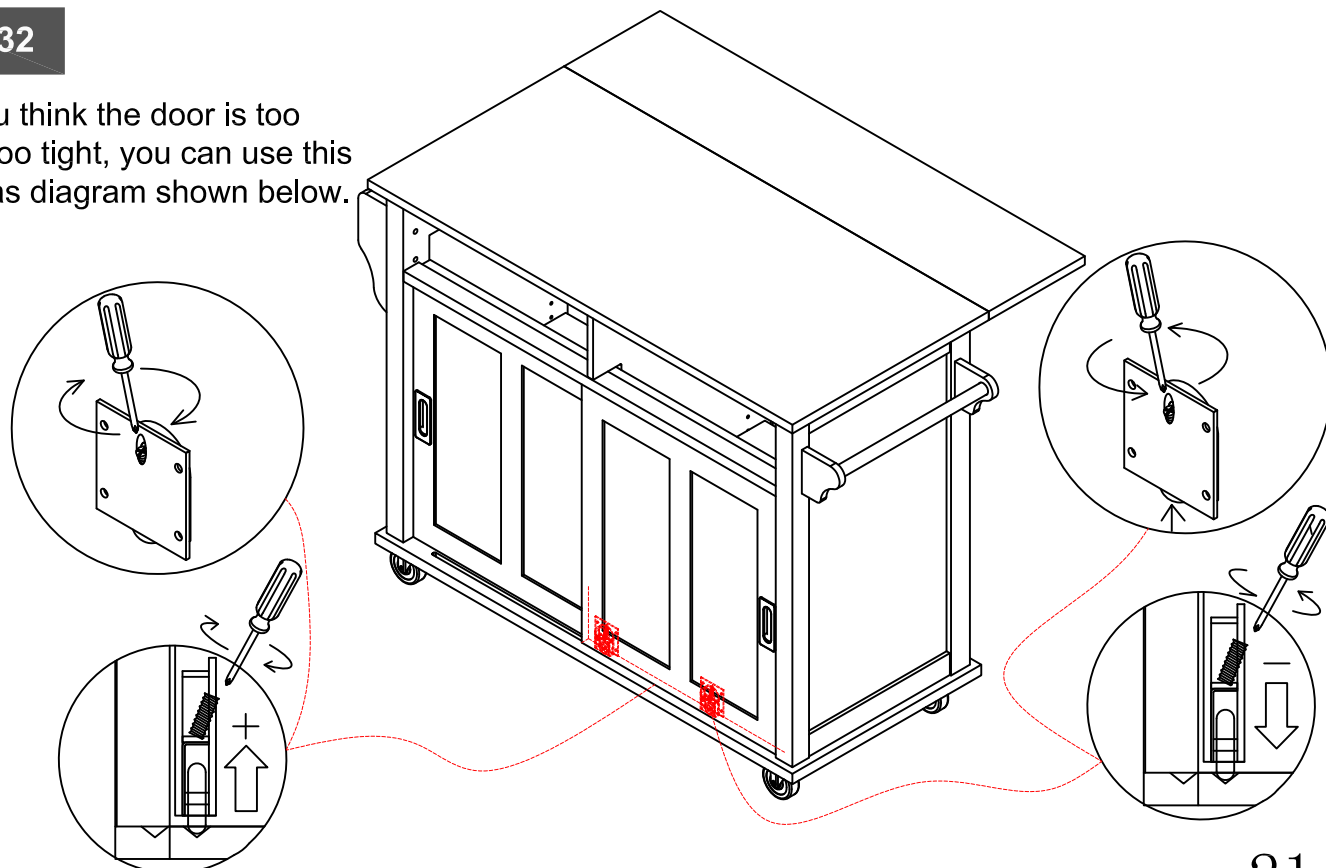
Step 31

Assemble right door (24) as below described.



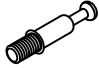
Step 32

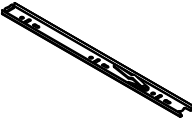
When you think the door is too loose or too tight, you can use this function as diagram shown below.



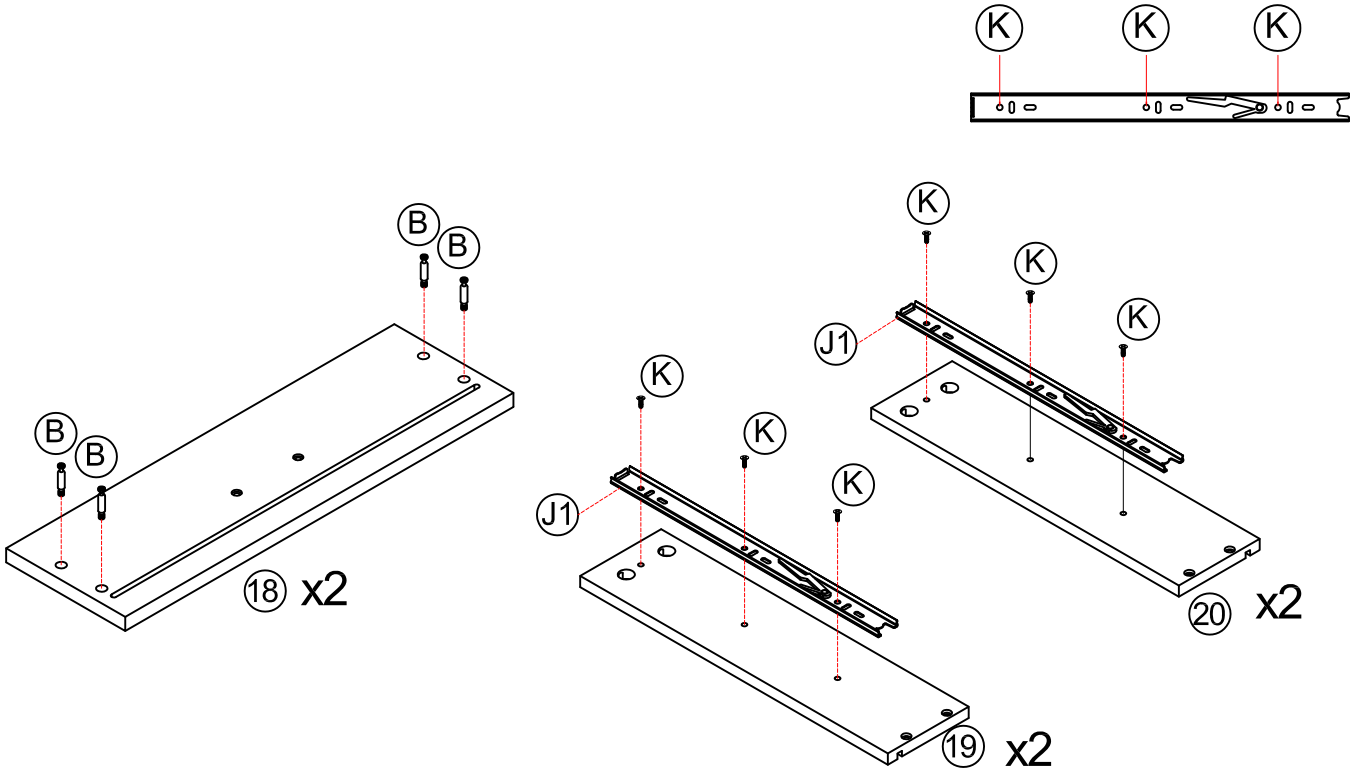
Assembly Instructions

Step 33

(B) 
Cam Bolt x8

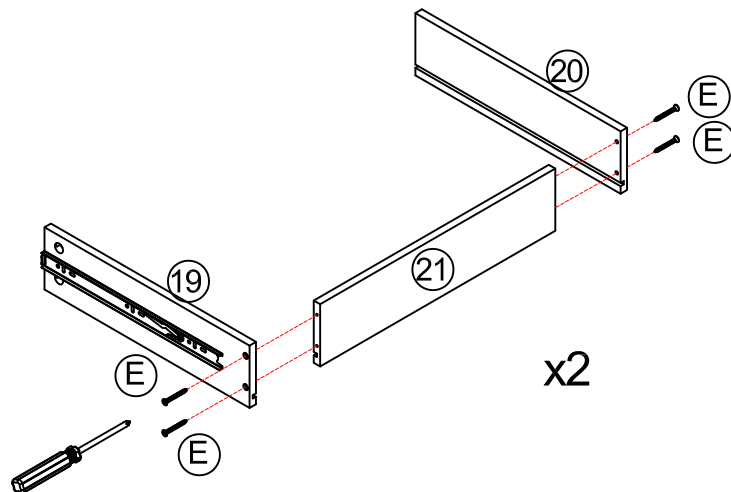
(J2) 
Drawer slide 14" x4

(K) 
3.5*12mm Screw x12






Step 34

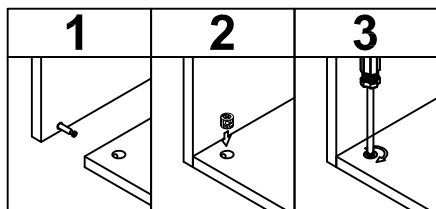
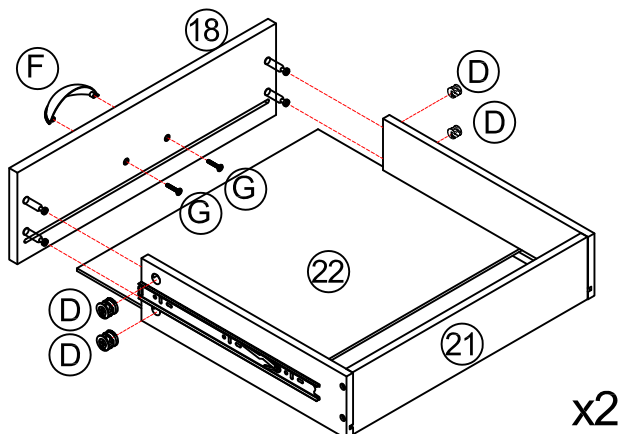
(E) 
4*35mm Screw x8



Assembly Instructions

Step 35

<p>(F)  x2</p>	<p>(G)  x4</p>	<p>(D)  x8</p>
---	---	---



Step 36

