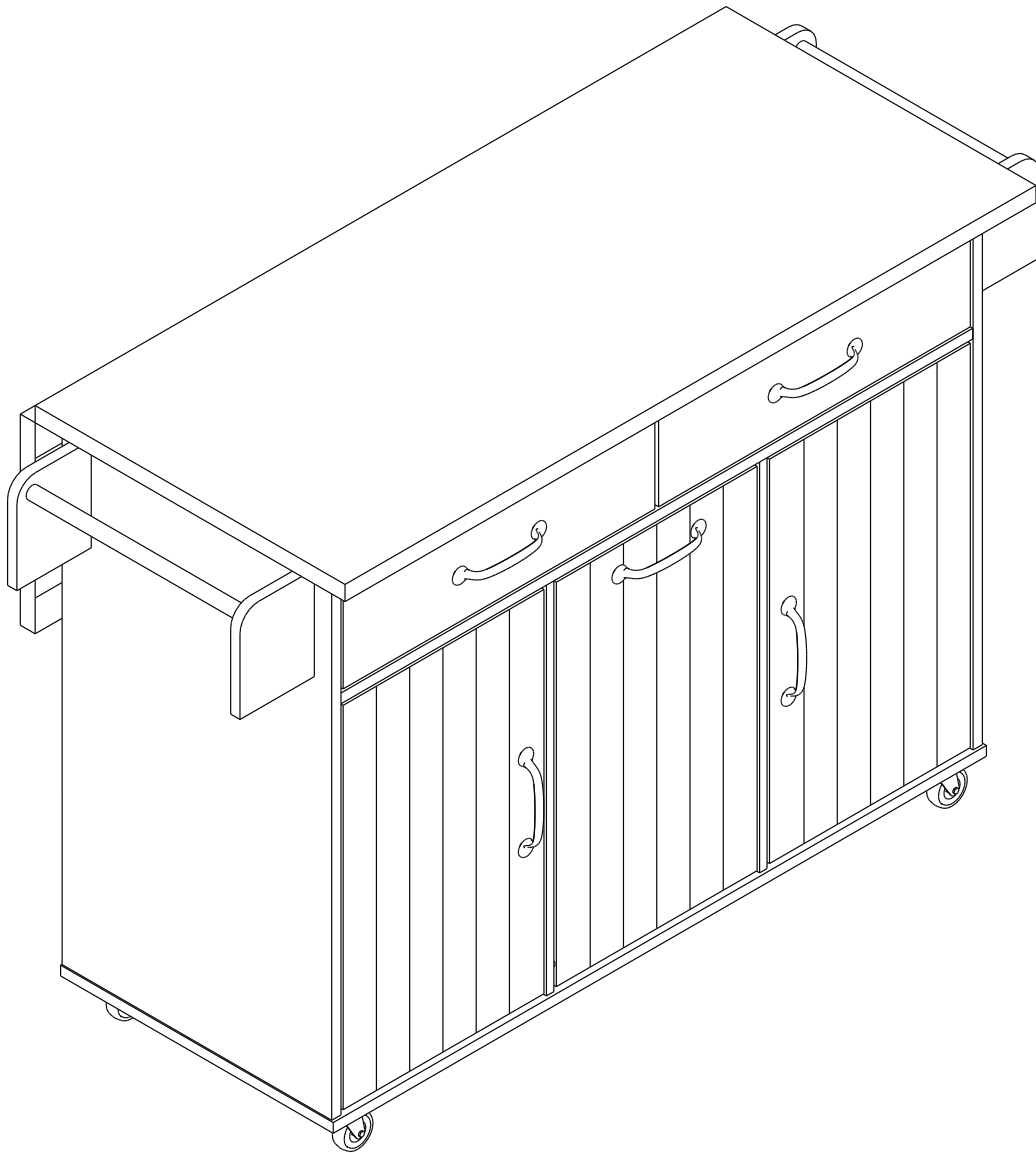


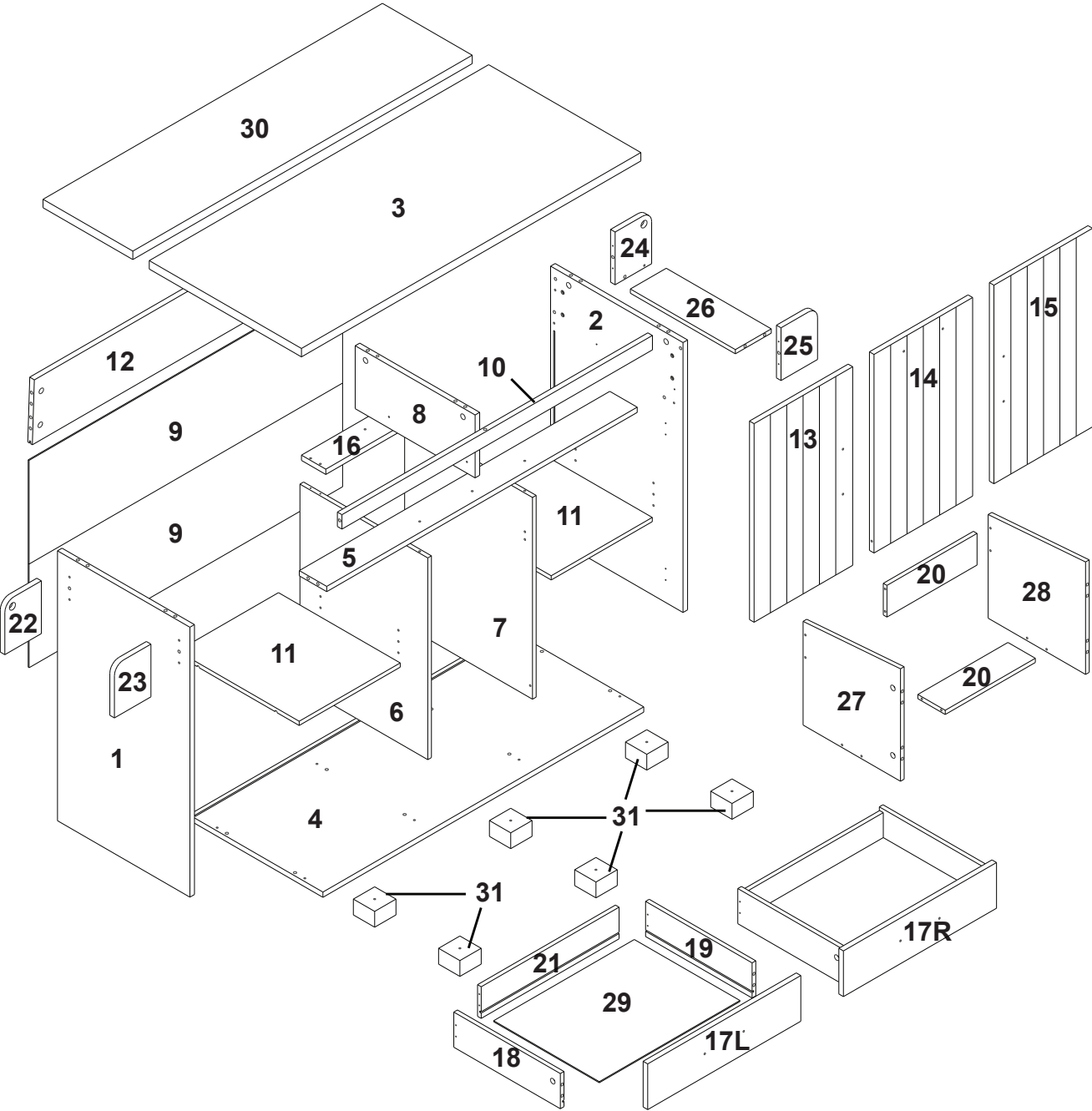
ASSEMBLY INSTRUCTIONS

KITCHEN CART



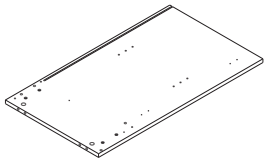
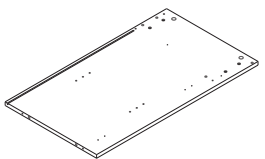
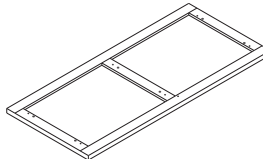
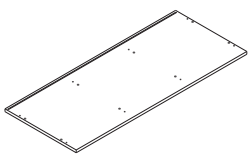
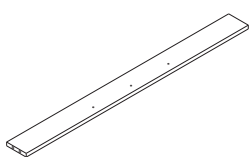
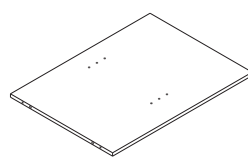
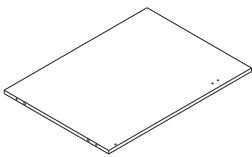
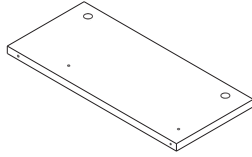
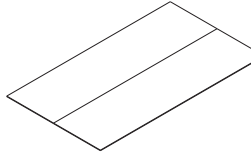
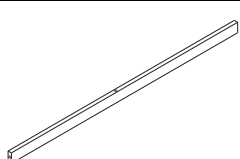
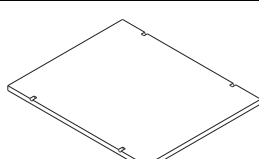
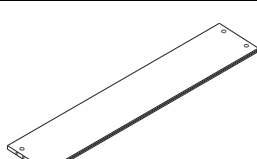
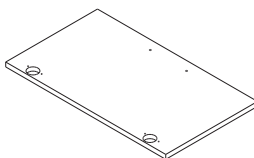
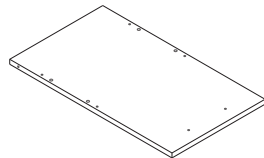
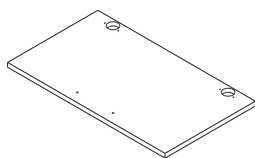
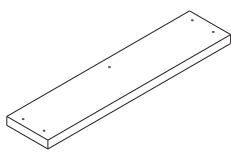
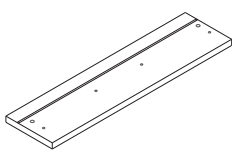
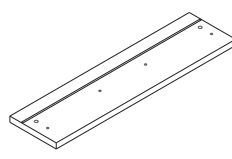
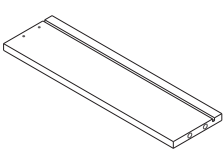
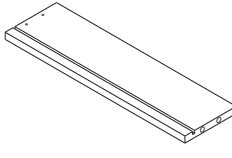
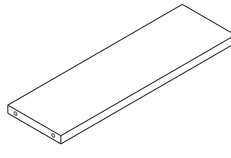
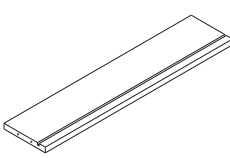
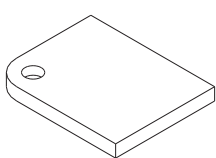
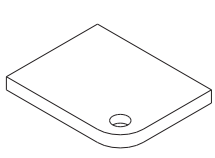
WF326381

Detail View



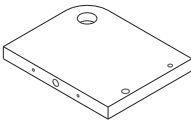
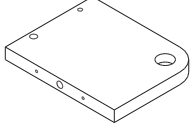
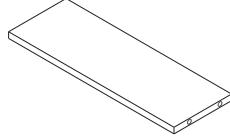
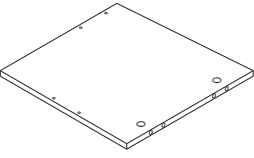
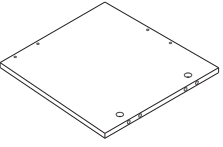
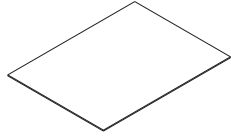
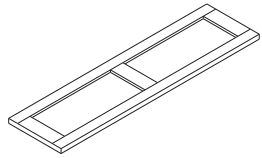
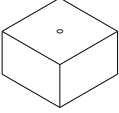
Part List

WF326381

<p>1</p>  <p>Side Panel (Left) - 1pc</p>	<p>2</p>  <p>Side Panel (Right) - 1pc</p>	<p>3</p>  <p>Top Panel - 1pc</p>
<p>4</p>  <p>Bottom Panel - 1pcs</p>	<p>5</p>  <p>Drawer Support Panel - 1pc</p>	<p>6</p>  <p>Left Panel (Center) - 1pc</p>
<p>7</p>  <p>Right Panel (Center) - 1pc</p>	<p>8</p>  <p>Center Panel (Drawer) - 1pc</p>	<p>9</p>  <p>Back Panel - 2pc</p>
<p>10</p>  <p>Horizontal Panel (Top) - 1pc</p>	<p>11</p>  <p>Shelf Panel - 2pcs</p>	<p>12</p>  <p>Back Panel (Top) - 1pc</p>
<p>13</p>  <p>Door Panel (Left) - 1pc</p>	<p>14</p>  <p>Door Panel (Center) - 1pcs</p>	<p>15</p>  <p>Door Panel (Right) - 1pcs</p>
<p>16</p>  <p>Support Center Panel - 1pcs</p>	<p>17L</p>  <p>Front Panel Drawer (Left) - 1pcs</p>	<p>17R</p>  <p>Front Panel Drawer (Right) - 1pcs</p>
<p>18</p>  <p>Left Panel (Drawer) - 2pc</p>	<p>19</p>  <p>Right Panel (Drawer) - 2pcs</p>	<p>20</p>  <p>Support Center Drawer - 2pcs</p>
<p>21</p>  <p>Back Panel (Drawer) - 2pcs</p>	<p>22</p>  <p>Left Panel (PVC Pipe) - 1pcs</p>	<p>23</p>  <p>Right Panel (PVC Pipe) - 1pcs</p>

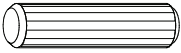
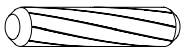

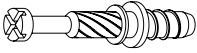


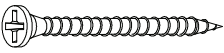
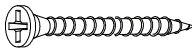
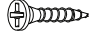


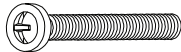
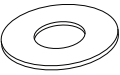


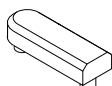
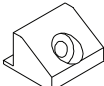
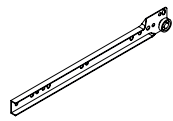
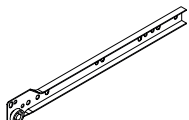
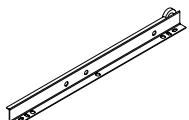
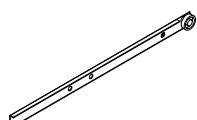
Part List

WF326381

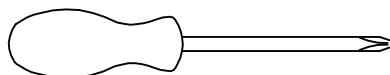
24  Right Panel (Wooden Rod) - 1pc	25  Left Panel (Wooden Rod) - 1pc	26  Center Panel (PVC Pipe) - 1pcs
27  Left Panel Compartment (Center) - 1pc	28  Right Panel Compartment (Center) - 1pc	29  Bottom Panel (Drawer) - 2pc
30  Extend Top Panel - 1pc	31  Bottom Panel (Leg) - 6pc	

Hardware List

WF326381

A  Ø8 x 30mm Wood dowel (22pcs)	B  Ø6 x 25mm Wood Dowel (14pcs)	C1  12mm Cam Nut (13pcs)
C2  12mm Cam Bolt (13pcs)	D1  10mm Cam Nut (10pcs)	D2  10mm Cam Bolt (10pcs)
E  Ø4 x 45mm Chip Board Screw (16pcs)	F  Ø4 x 38mm Chip Board Screw (24pcs)	G  Ø3.5 x 16mm Chip Board Screw (62pcs)
H  Ø3.5 x 12mm Chip Board Screw (8pcs)	I  Handle (5pcs)	J  Ø4 x 20mm T/MS Handle Screw (10pcs)
K  Ø6mm Washer (20pcs)	L  Shelf Support (Steel) (8pcs)	M  Shelf Support (Steel)(Big) (2pcs)
N  Door Stopper (2pc)	O  Single Plastic Cap (9pcs)	CR  Wall Right (2pcs)
CL  Wall Left (2pcs)	DR  Drawer Right (2pcs)	DL  Drawer Left (2pcs)

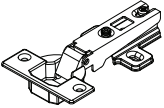





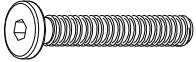
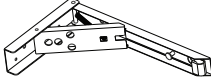
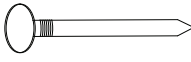


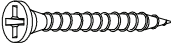
ASSEMBLY TOOLS REQUIRED (NOT INCLUDED)



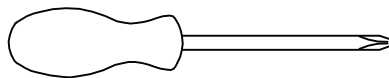
PLEASE BE CAREFUL DO NOT DAMAGE THE HOLE POSITION WHEN YOU USE POWER TOOLS !

Hardware List

WF326381



Q 	R 	S 
Hinges 7/8" (4pcs)	PVC Pipe (365mm) (1pcs)	Wooden Rod (365mm) (1pcs)
T 	U 	V 
Stopper Nylon Caster (4+1pcs)	Allen Key (1pcs)	Euro Screw (8pcs)
W 	X 	Y 
JCBC Screw (6pcs)	8" L-Shape Metal (3pcs)	Nail Pin 5/8" (10pcs)
Z 	ZA 	ZB 
Door Buffer (2pcs)	PVC H-Lining (1pcs)	Chip Board Screw (6pcs)

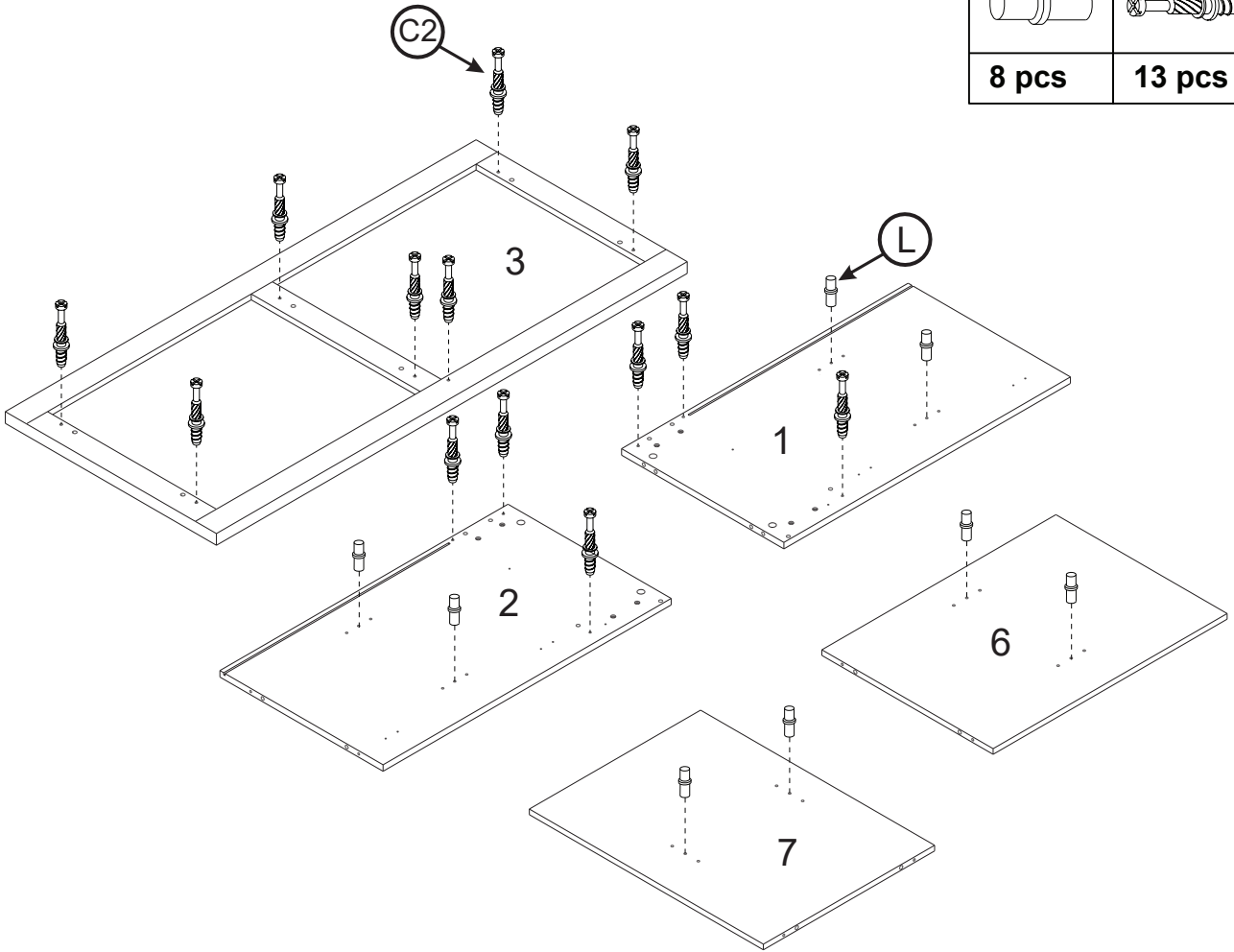
ASSEMBLY TOOLS REQUIRED (NOT INCLUDED)




PLEASE BE CAREFUL DO NOT DAMAGE THE HOLE POSITION WHEN YOU USE POWER TOOLS !

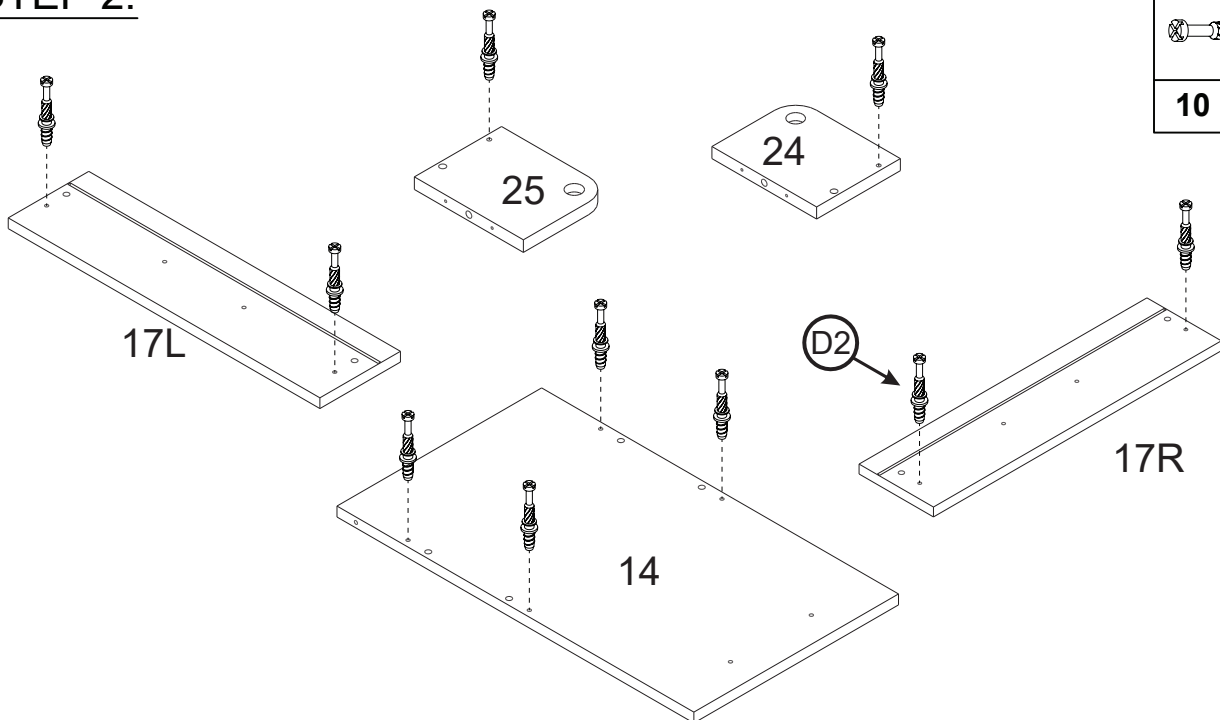
STEP 1:

L	C2
	
8 pcs	13 pcs

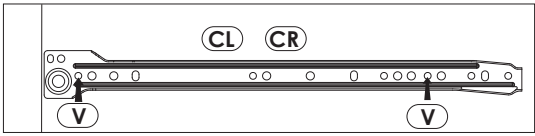


STEP 2:

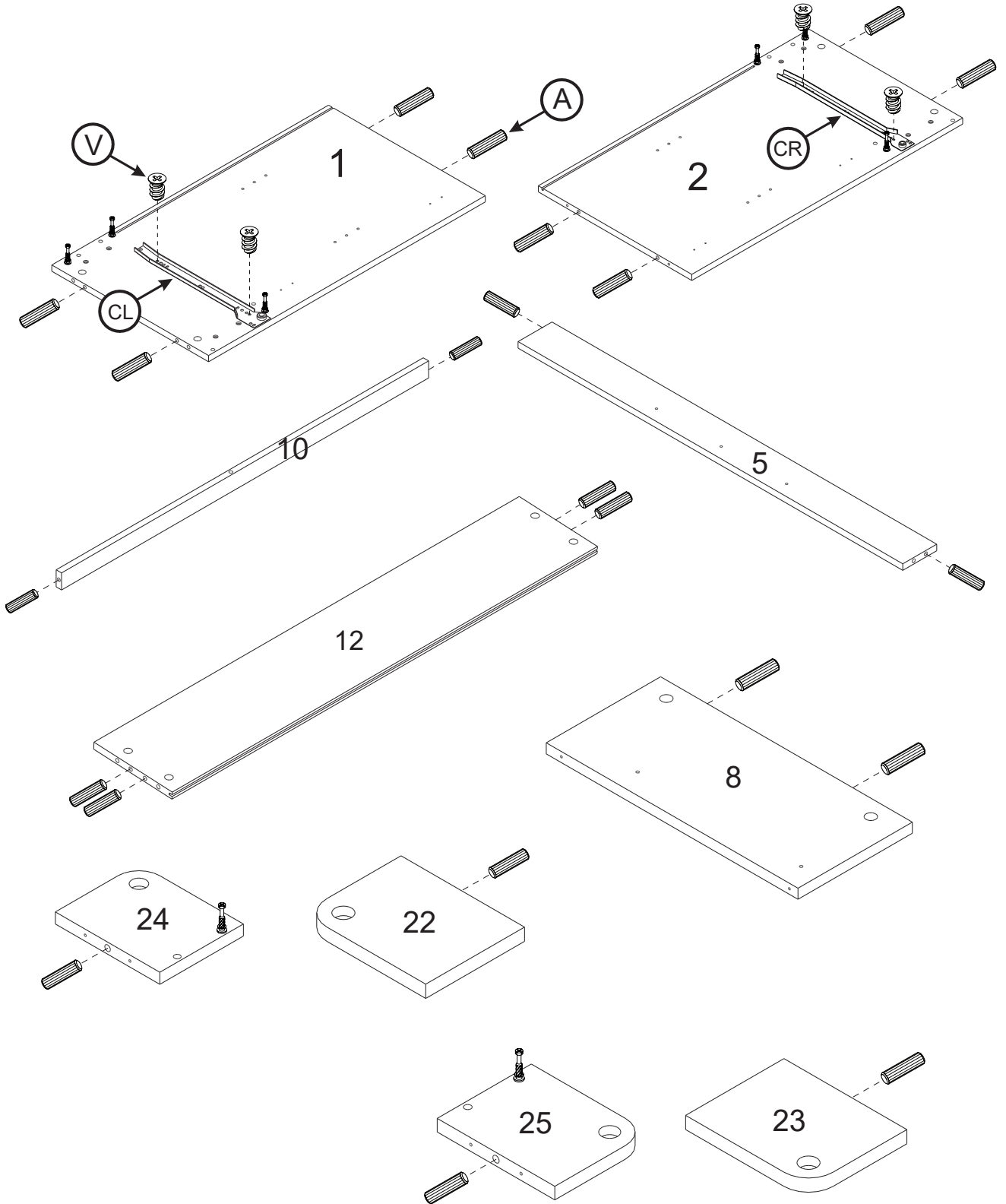
D2

10 pcs




STEP 3:

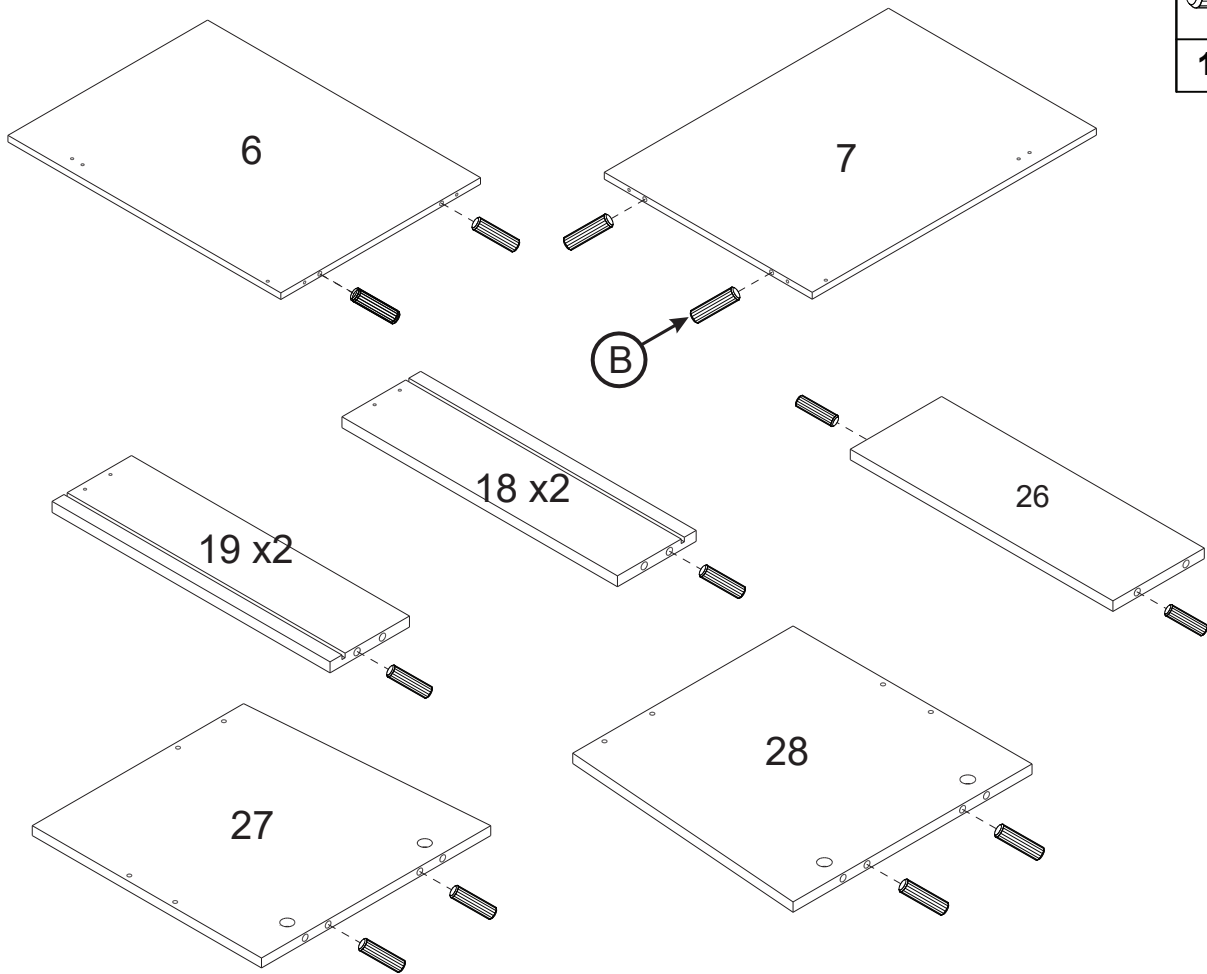


CR	CL	V	A
1 pcs	1 pcs	4 pcs	22 pcs

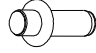
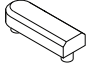


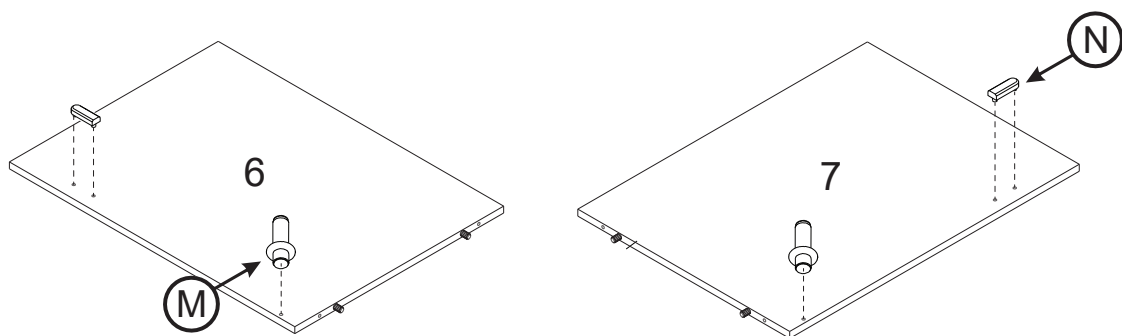
STEP 4:

B

14 pcs



STEP 5:

M	N
	
2 pcs	2 pcs

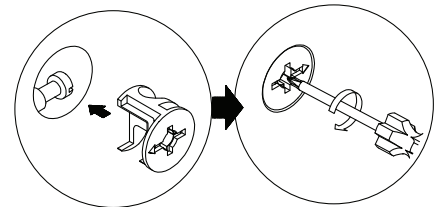
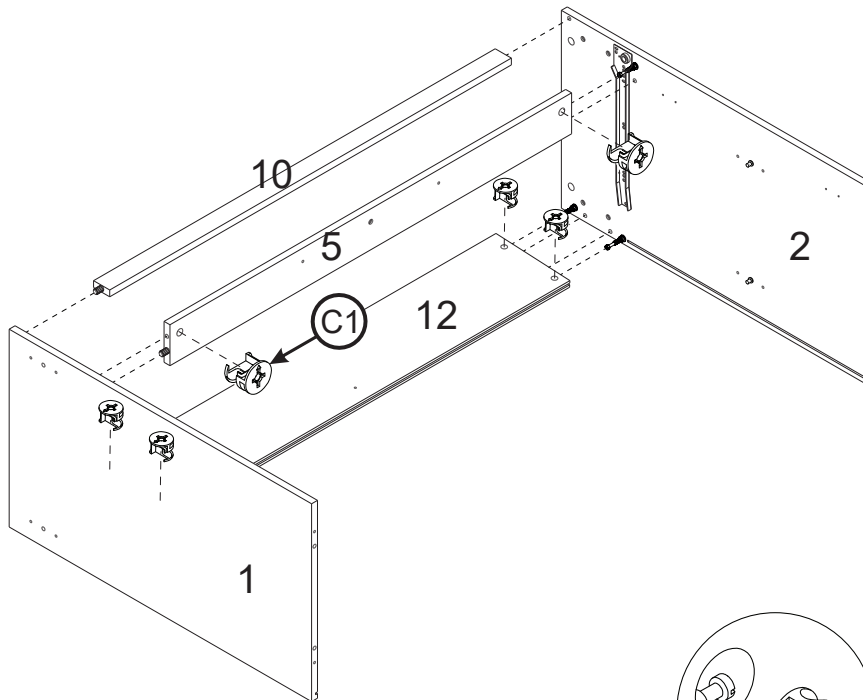


STEP 6:

C1

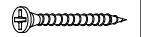


6 pcs

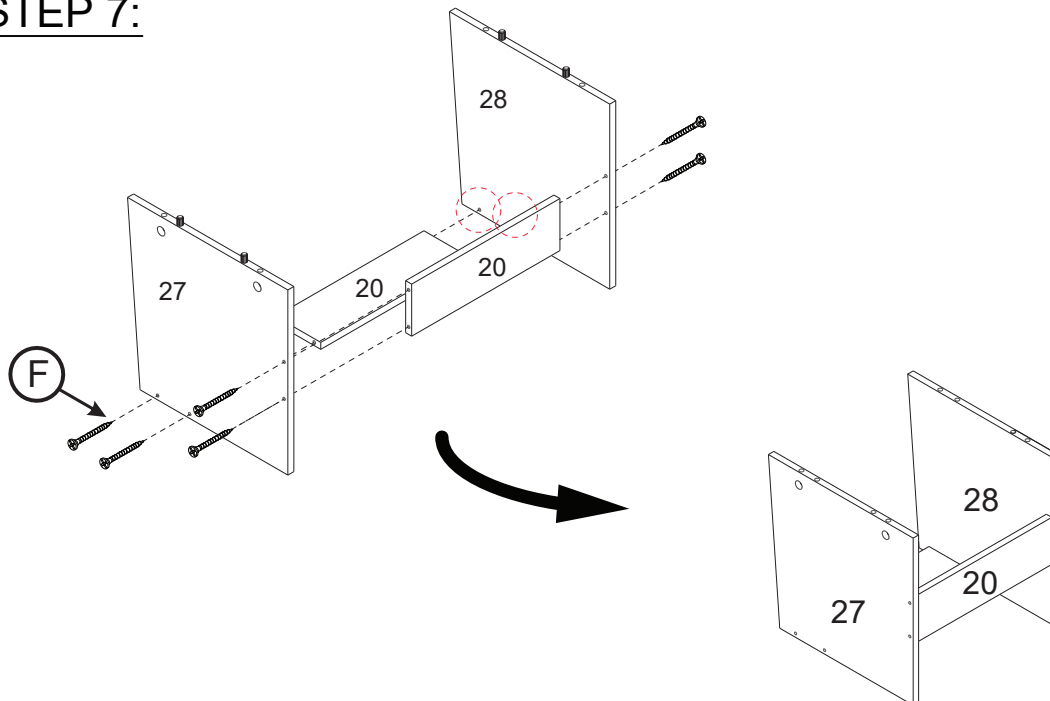


STEP 7:

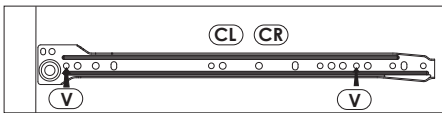
F



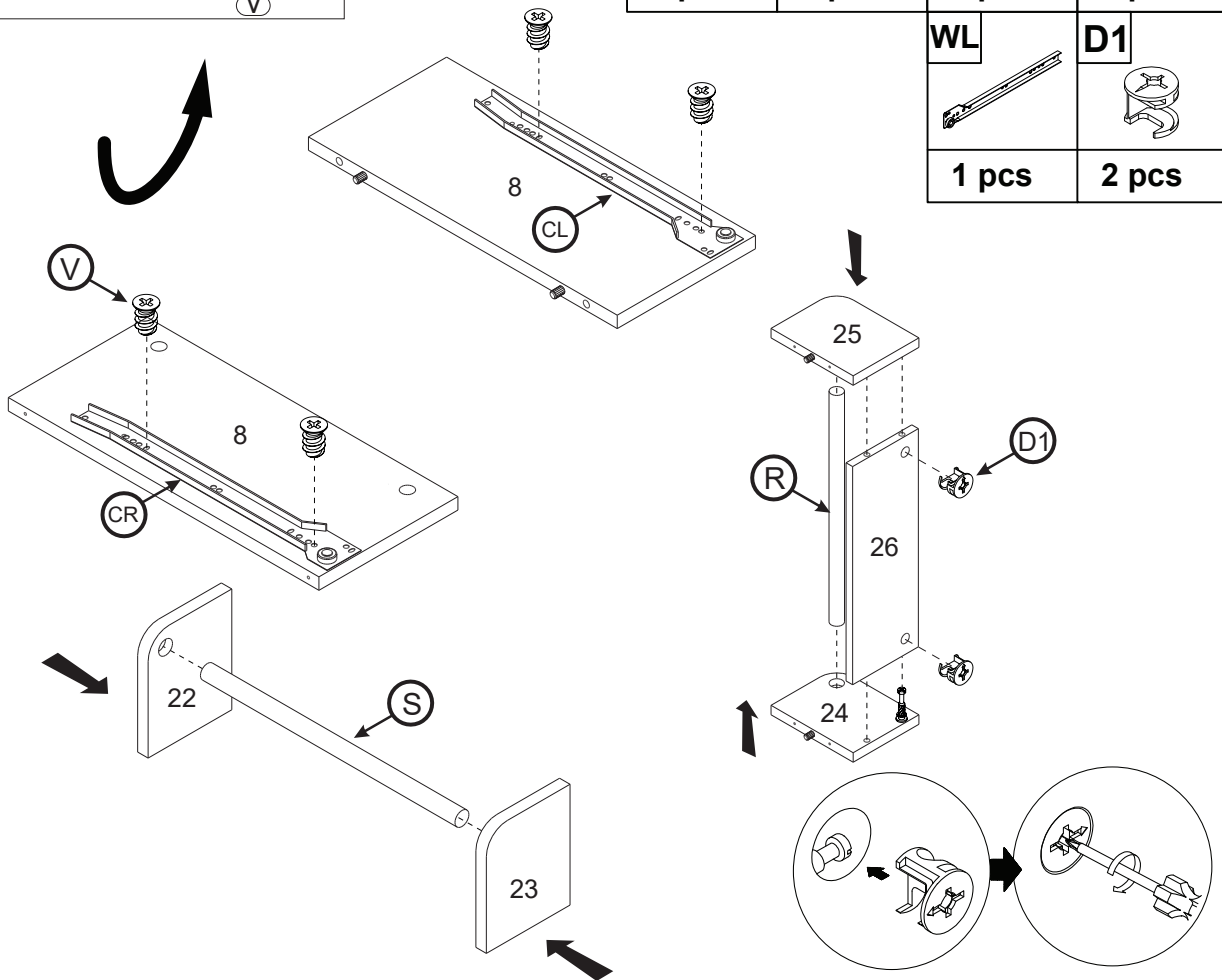
8 pcs



STEP 8:

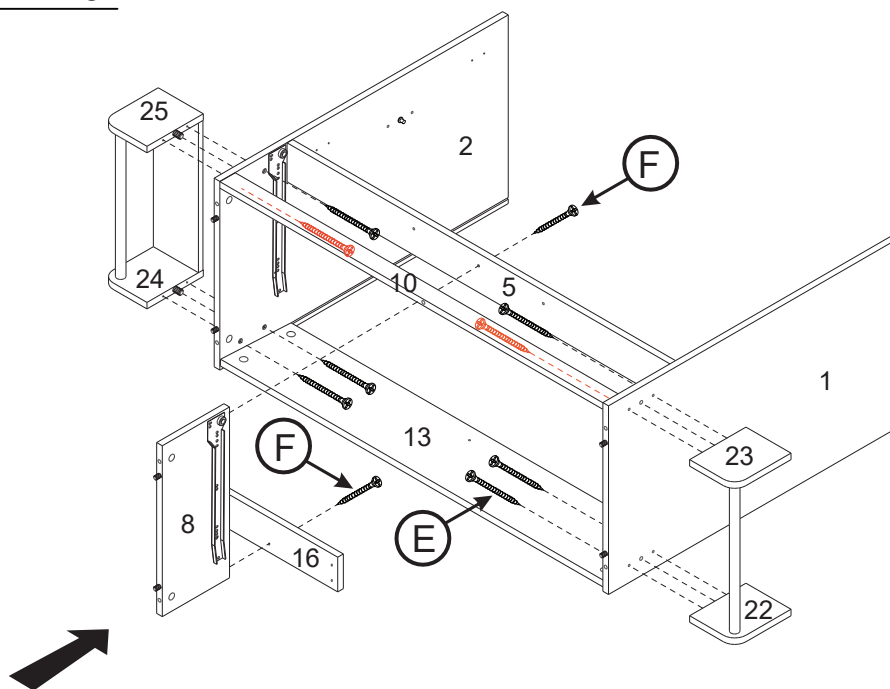


R	S	V	WR
1 pcs	1 pcs	4 pcs	1 pcs
		WL	D1
		1 pcs	2 pcs



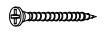
STEP 9:

E	F
8 pcs	2 pcs

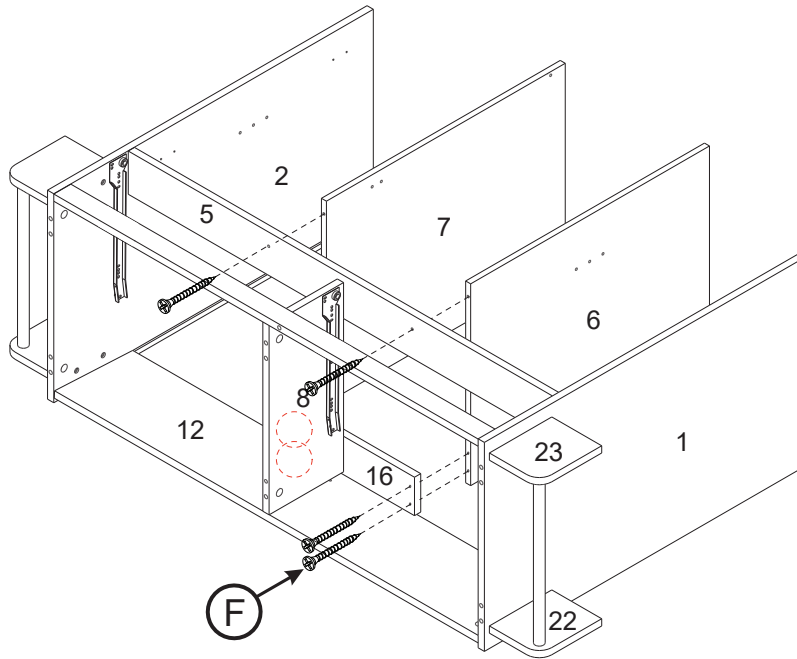


STEP 10:

F



6 pcs

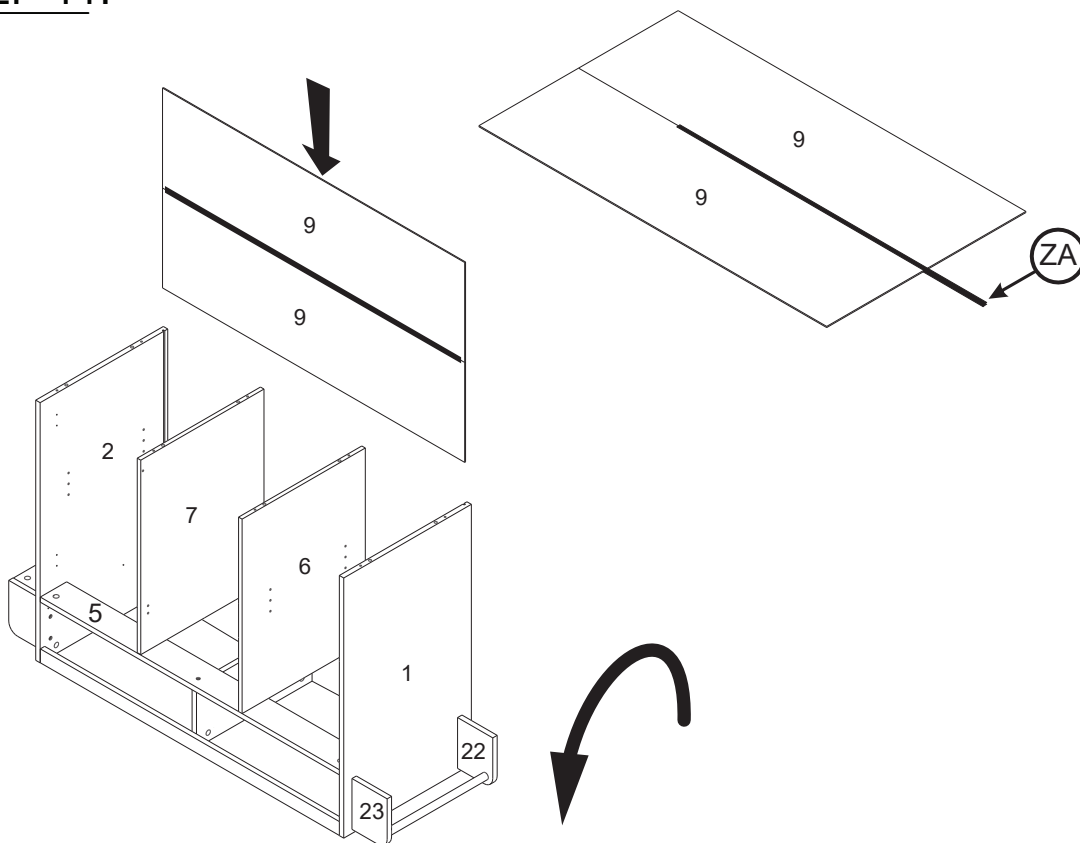


STEP 11:


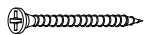
ZA

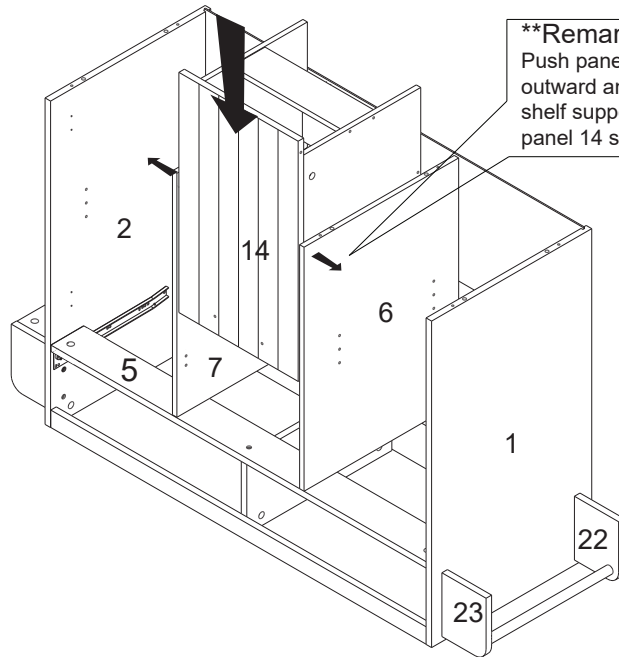
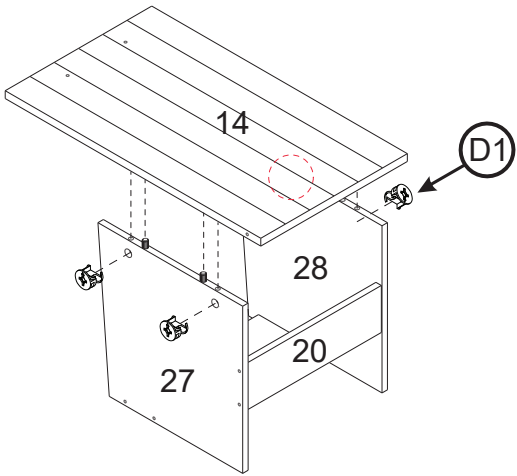


1 pcs

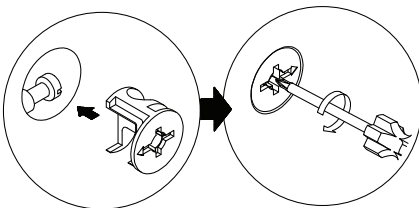
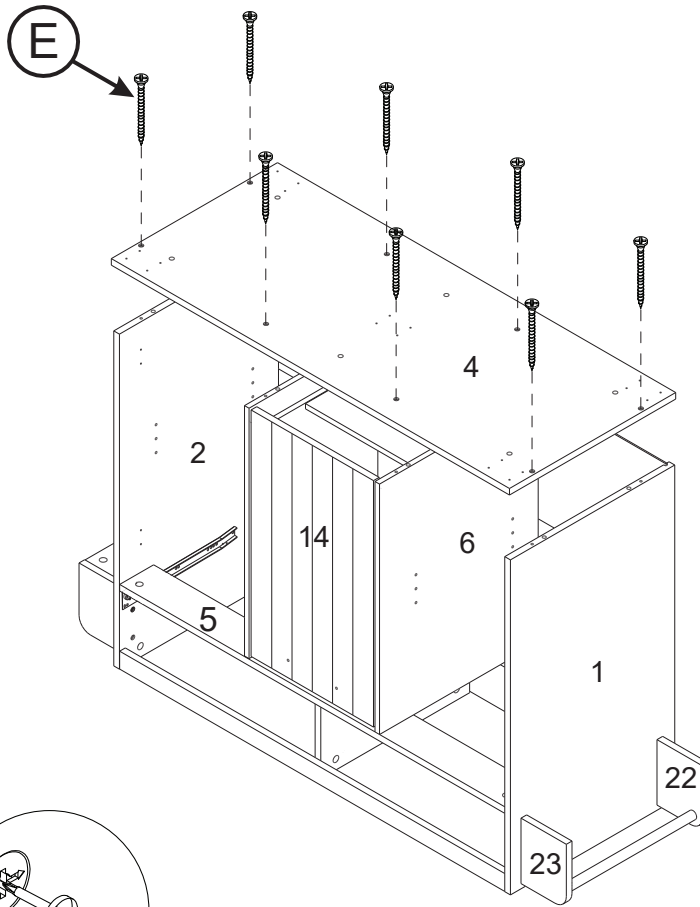


STEP 12:

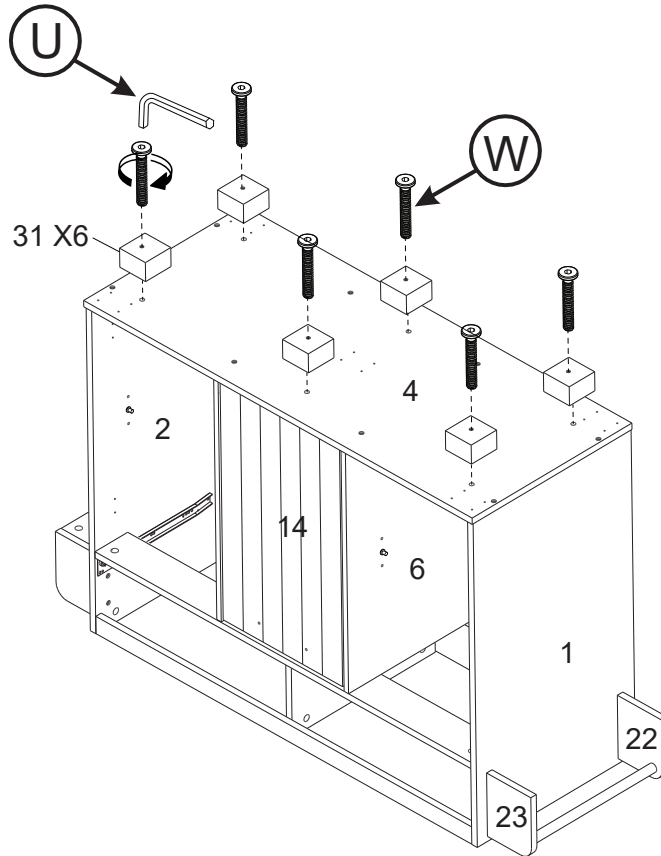
D1	E
	
4 pcs	8 pcs





****Remark**
Push panel 6 and 7 outward and align shelf support with panel 14 side holes.

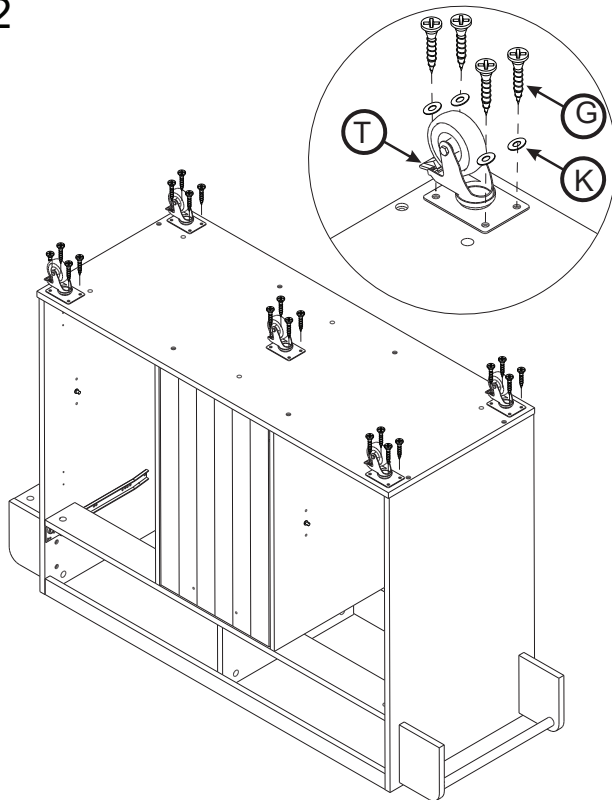




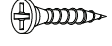
STEP 13:
OPTION 1



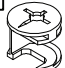
U		W	
	1 pcs		6 pcs

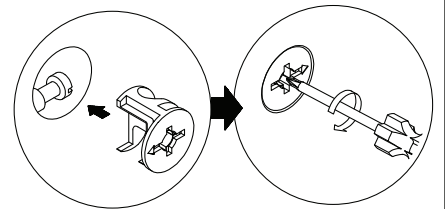
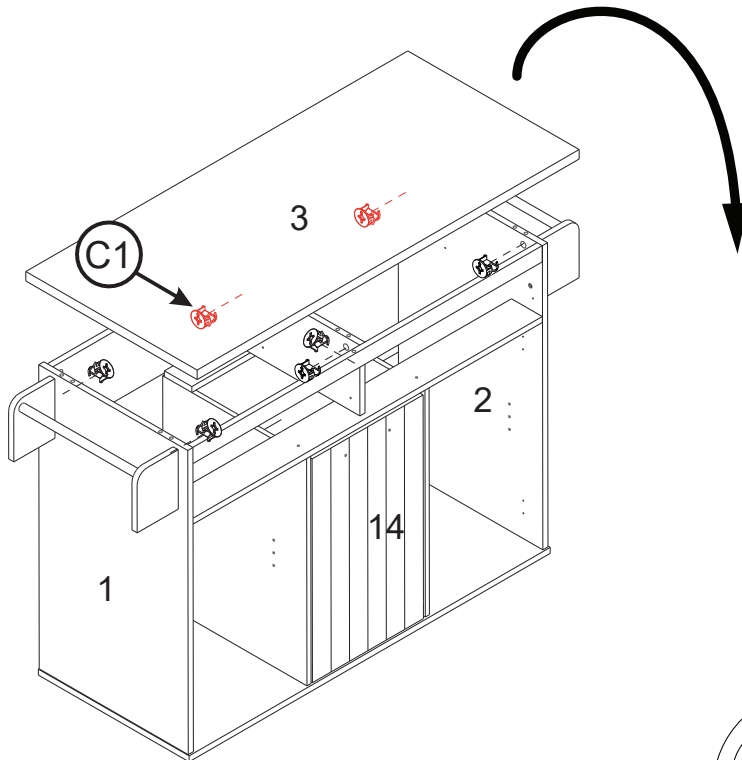
STEP 13:
OPTION 2



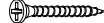

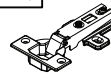

K		T		G	
	20 pcs		5 pcs		20 pcs

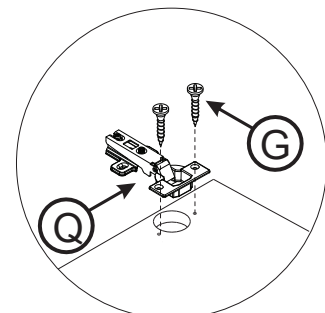
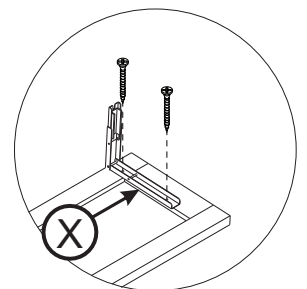
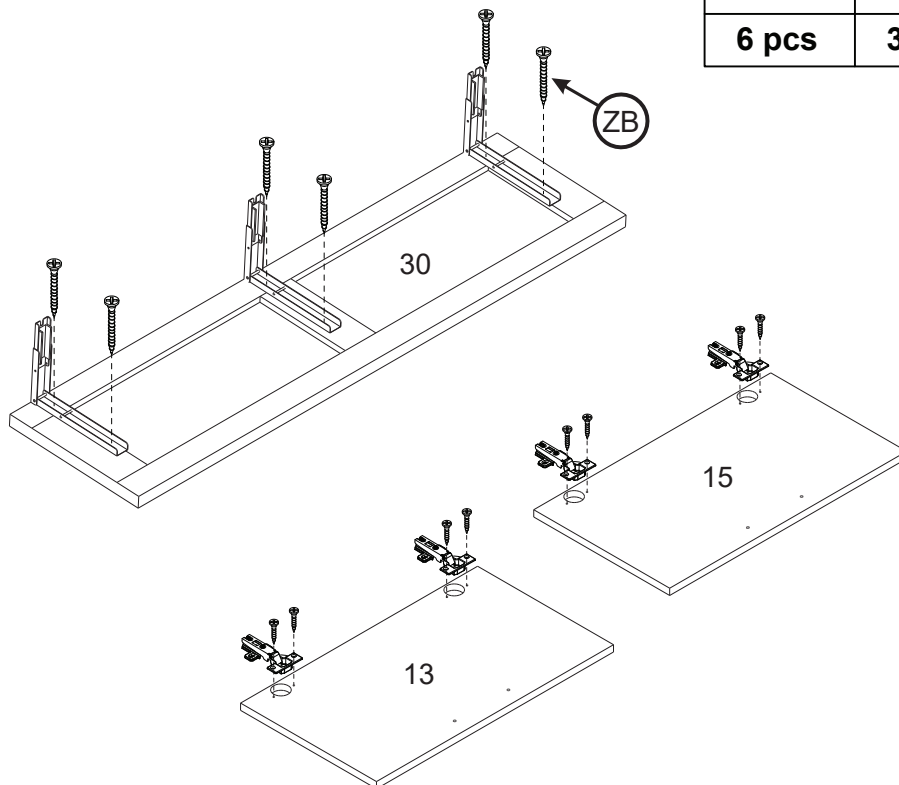
STEP 14:

C1	
7 pcs	

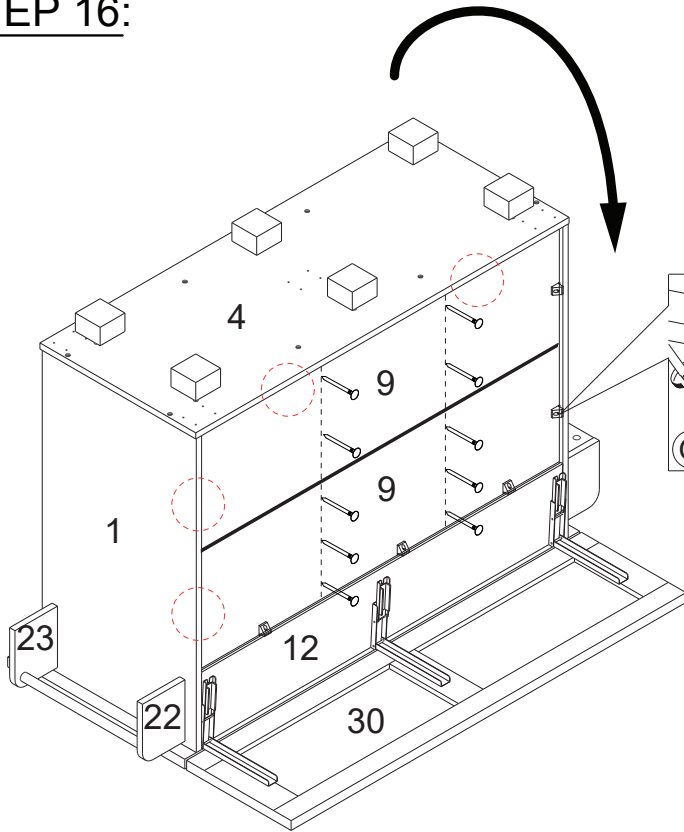


STEP 15:

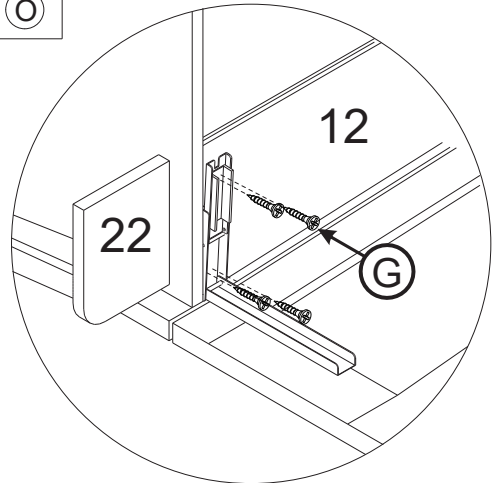
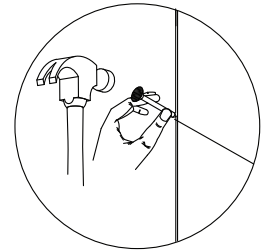
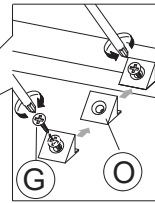
ZB	X	Q	G
			
6 pcs	3 pcs	4 pcs	8 pcs



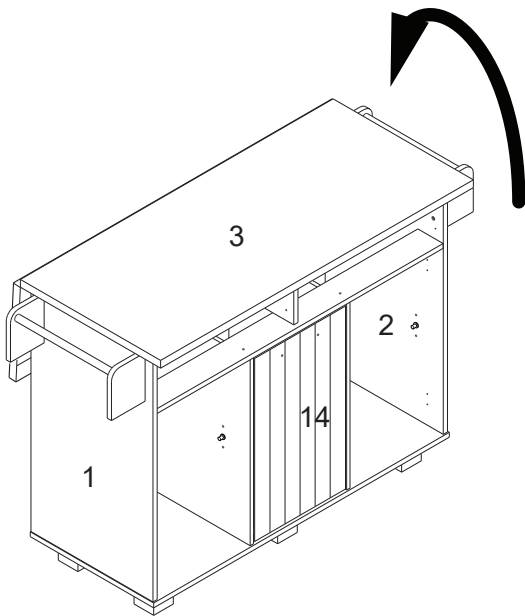
STEP 16:



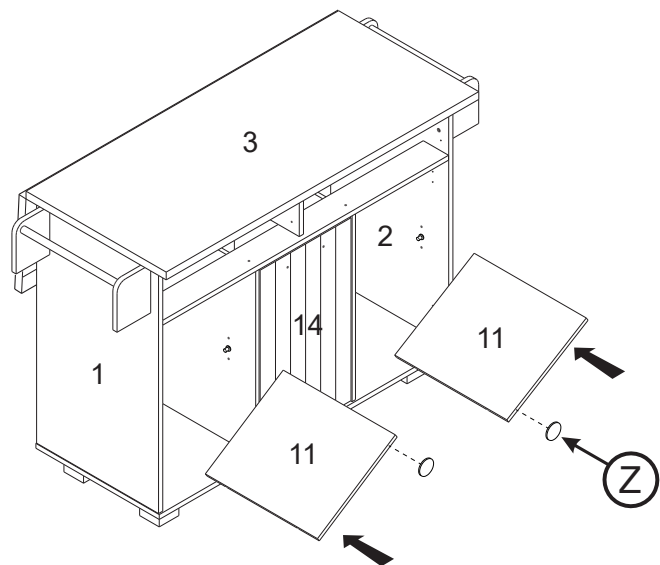
Y	G	O
10 pcs	21 pcs	9 pcs





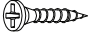
STEP 17:

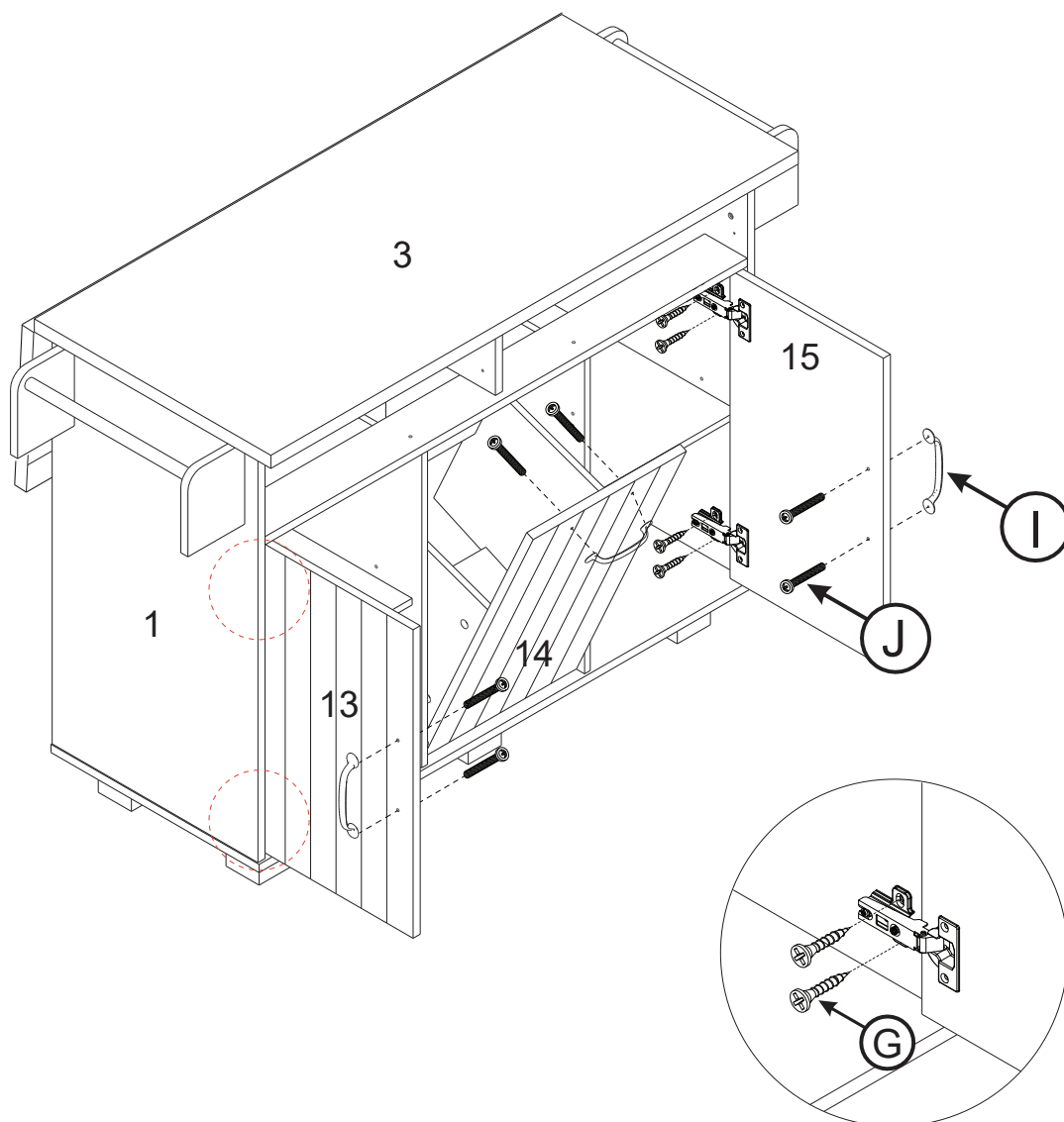


Z
2 pcs



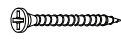

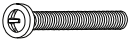
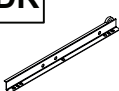
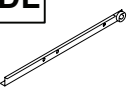


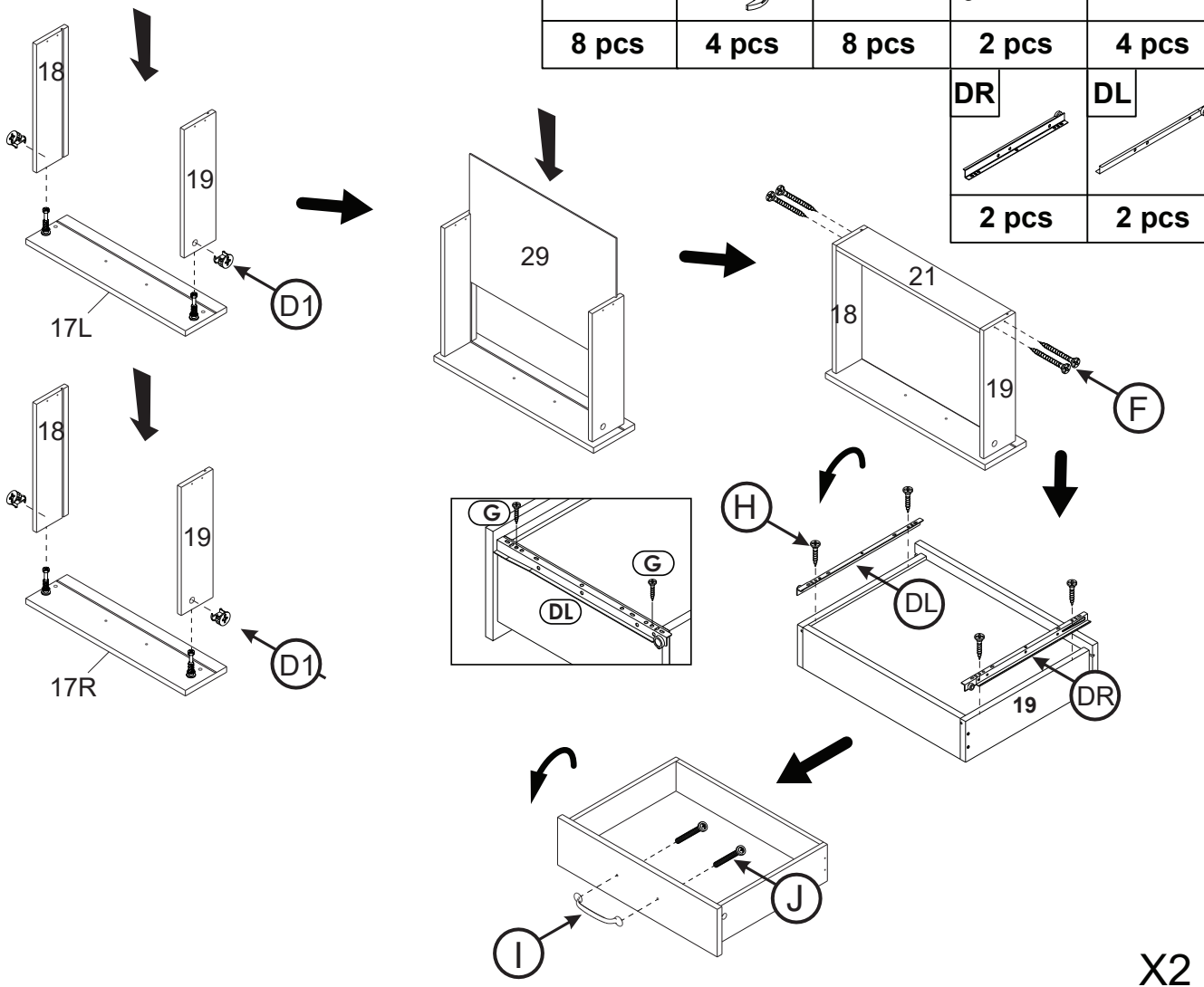
STEP 18:

J	I	G
		
6 pcs	3 pcs	8 pcs

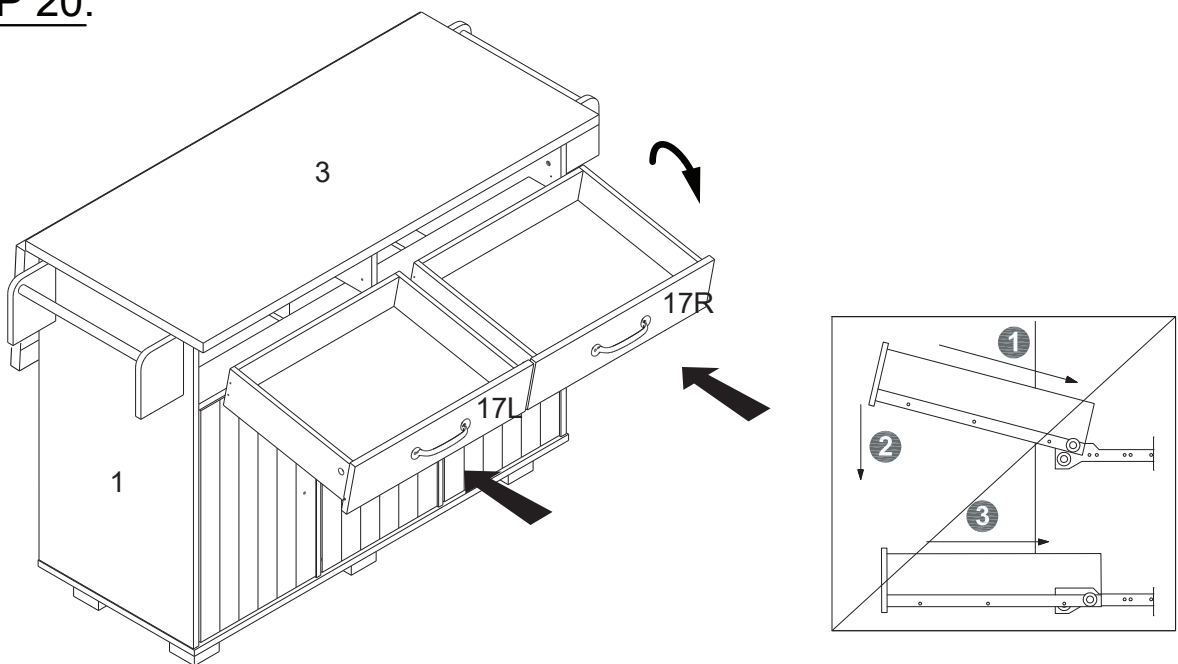


STEP 19:

H	D1	F	I	J
				
8 pcs	4 pcs	8 pcs	2 pcs	4 pcs
			DR	DL
				
			2 pcs	2 pcs



STEP 20:



COMPLETE

