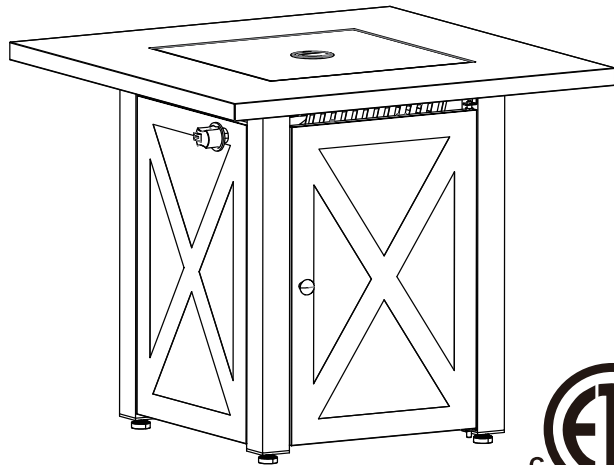
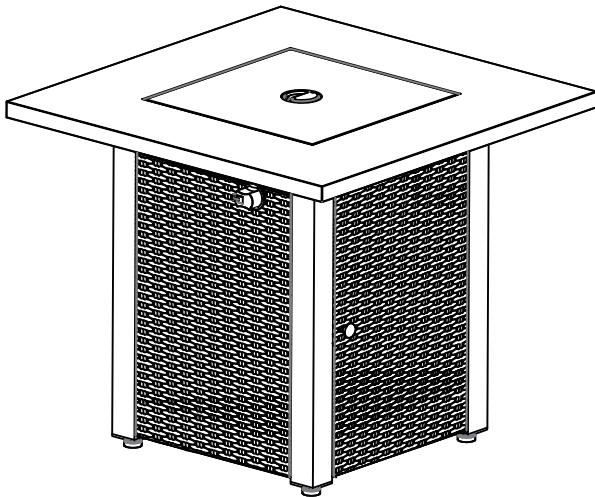
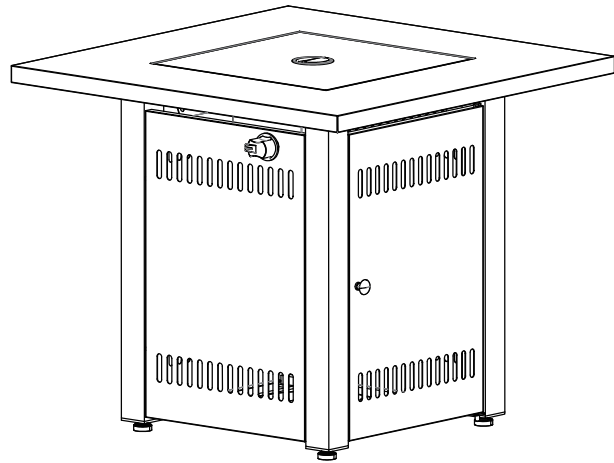
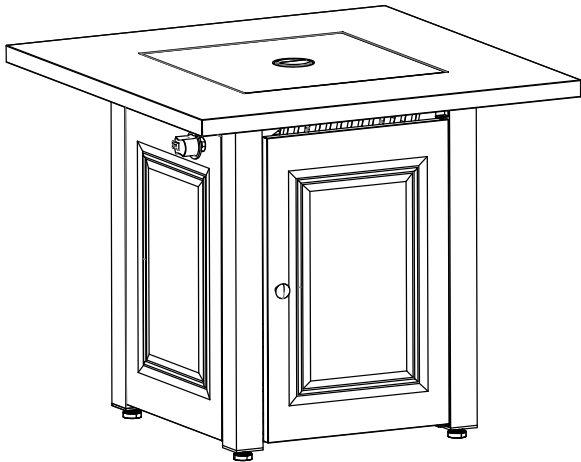


Assembly Instructions & User's Manual

Model No: WELLFP5010/CDF-WMGB28-COL
/CDF-WMGB28-WK/CDF-WMGB28-X
/CDF-WMGB28



 **WARNING:** Cancer and Reproductive Harm-www.P65Warnings.ca.gov

**FOR OUTDOOR USE ONLY.
KEEP THE INSTRUCTIONS FOR FUTURE REFERENCE.**

INSISTS ON THE HIGHEST STANDARD OF QUALITY IN MANUFACTURING.

IN CASE OF ANY ISSUES DO NOT RETURN TO STORE.

CALL 1-800-379-2185 OR E-MAIL US AT info@calell.com WITH QUESTIONS OR WARRANTY ISSUES.

OUR OFFICE HOURS ARE MONDAY TO FRIDAY 8 AM – 4 PM (PST).

WE WILL BE BACK TO YOU AS QUICKLY AS POSSIBLE.

Table of Contents

Warnings	3-6
Hardware and Tools.....	7
Parts	8
Assembly Instructions	9-14
Installing Instructions.....	15-16
Operating Instructions	17
Lighting.....	18
Cleaning and Care	19-20
Troubleshooting	21-22
Care and Maintenance.....	23
Warranty Information.....	23

Caution: Do not attempt to operate until you have read & understand all General Safety Information in this manual and all assembly is complete & leak checks have been performed.

Note: Before beginning assembly of product, make sure all parts are present. Compare parts with package content list and hardware contents. If any part is missing or damaged do not attempt to assemble the unit. Contact customer service for replacement parts.

Warnings



WARNING **FOR YOUR SAFETY:**

Read these instructions before using this appliance. The appliance must be installed in accordance with the instructions and local regulations. The use of this appliance in enclosed areas can be dangerous and is **PROHIBITED**.

Do the leak test after each changing of cylinder.

Never check for leaks with a match or open flame.

Do not store or use gasoline or other flammable vapors and liquids in the vicinity of this appliance.



IF YOU SMELL GAS

Close the valve of gas cylinder or regulator.

Extinguish all naked flames, do not operate any electrical appliances.

Check for leaks as detailed in these instructions.



WARNING **FOR YOUR SAFETY:**

Improper installation, adjustment, alteration, service or maintenance can cause injury or property damage. Read the installation, operation and maintenance instructions thoroughly before installing or servicing this equipment. Failure to follow these instructions could result in fire or explosion, which could cause property damage, personal injury or death.



DANGER

CARBON MONOXIDE HAZARD



This appliance can produce carbon monoxide which has no odor. Using it in an enclosed space can kill, cause injury or death. Never use this appliance in an enclosed space such as a camper, tent, car or home.



WARNING **FOR YOUR SAFETY:**

An LP cylinder not connected for use should not be stored in the vicinity of this or any other appliance.



WARNING **FOR YOUR SAFETY:**

FOR OUTDOOR USE ONLY (outside any enclosure)

FILL METAL BASE WITH SAND (12.5 KG/27.5 lbs) BEFORE USE.

Warnings



DANGER

DANGER indicates an imminently hazardous situation which, if not avoided, will result in death or serious injury.



WARNING

WARNING indicates an imminently hazardous situation which, if not avoided, could result in death or serious injury.



CAUTION

CAUTION indicates an imminently hazardous situation which, if not avoided, may result in minor or moderate personal injury or property damage.



DANGER

Do not store or use gasoline or other flammable vapor and liquids in the vicinity of this or any other appliance.



WARNING: For Outdoor Use Only



FOR YOU SAFETY



WARNING

Improper installation, adjustment, alteration, service or maintenance can cause injury or property damage. Read the instructions thoroughly before installing or servicing this equipment.

Failure to comply with the precautions and instructions provided with this heater can result in death, serious bodily injury and property loss or damage from hazards of fire, explosion, burn, asphyxiation, and/or carbon monoxide poisoning. Only persons who can understand and follow the instructions should use or service this heater.



WARNING

**This product contains chemicals, including lead, known to the State of California to cause birth defects or other reproductive harm.
Wash hands after handling.**

Warnings

DANGER

Solid fuels shall not be burned in this appliance

DANGER

The maximum inlet gas supply pressure: Max . 250PSI . Min 5PSI

DANGER

“Do not use this appliance if any part has been under water. Immediately call a qualified service technician to inspect the appliance and to replace any part of the control system and any gas control that has been under water.”

DANGER

CARBON MONOXIDE HAZARD

For outdoor use only. Never use inside house or other unventilated or enclosed areas. This heater consumes air (oxygen). Do not use in unventilated or enclosed areas to avoid endangering your life.

DANGER

EXPLOSION - FIRE HAZARD

Never store propane near high heat, open flames, pilot lights, direct sunlight, other ignition sources or where temperatures exceed 120 degrees F (49°C). Propane vapors are heavier than air and can accumulate in low places. If you smell gas, leave the area immediately.

Never install or remove propane cylinder while heater is lighted, near flame, pilot lights, other ignition sources or while heater is hot to touch.

This heater is red hot during use and can ignite flammables too close to the burner. Keep flammables at least 48" (122cm) from sides & 48" (122cm) from top. Keep gasoline and other flammable liquids and vapors away from heater. The propane cylinder must always be stored outdoors in a well ventilated space. Never store propane cylinder in an enclosed area (house, garage, etc.). If heater is to be stored indoors, disconnect the propane cylinder for outdoor storage.

Caution: Do not attempt to operate until you have read & understand all General Safety Information in this manual and all assembly is complete & leak checks have been performed.

Warnings

You must provide propane gas and propane cylinder. Use a standard 20 lb. propane cylinder only.

Use this heater only with a propane vapor withdrawal supply system. See Chapter 5 of the Standard for Storage and Handling of Liquefied Petroleum Gas, ANSI/NFPA 58. Your local library or fire department should have this book.

The minimum permissible gas supply pressure of 10 W.C. is required for purpose of input adjustment.

The minimum hourly of 48,000 Btu is required input rating for a heater for automatic operation at ratings less than full input rating.

The pressure regulator and hose assembly supplied with the appliance must be used.

The installation must conform with local codes, or in the absence of local codes, with National Fuel Gas Code, ANSI Z223.1.

A dented, rusted or damaged propane cylinder may be hazardous and should be checked by your cylinder supplier. Never use a propane cylinder with a damaged valve connection.

The cylinder used must include a collar to protect the cylinder valve.

Do not store a spare LP Gas cylinder under or near this appliance.

Never fill the cylinder beyond 80 percent full.

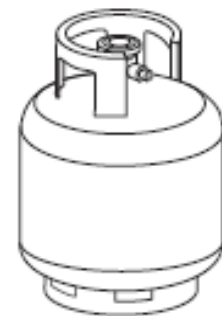
For appliances designed to use a CGA No.791 connection:

Place the dust cap on the cylinder valve outlet whenever the cylinder is not in use.

Only install the type of dust cap on the cylinder valve that is provided with the cylinder valve.

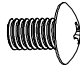

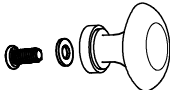

Other types of caps or plugs may result in leakage of propane.

Note: Gas supply pressure: 25 to 250



Standard 20 lb. tank

Hardware

a	Screw M6X12		20 pcs
b	Screw M6X25		4 pcs
c	Door handle		1 set
d	Wing nut		1 set

PREPARATION

--Select an area where you will assemble this product. To protect components, choose a smooth non abrasive surface that's free of cracks or openings.

--Spread out all parts.

--Tighten all hardware connections by hand first. Before completing each step, go back and fully tighten all hardware. Be careful not to over-tighten, that could damage surface or strip threads.

--For best results, complete each in the order presented.

To complete assembly you will need:

(1) Leak detection solution instruction on how to make the solution are included in the "operating instructions" section of this manual).

(2) Precision-filled LP gas grill tank with Acme Type 1 external threaded valve connection standard grill size .

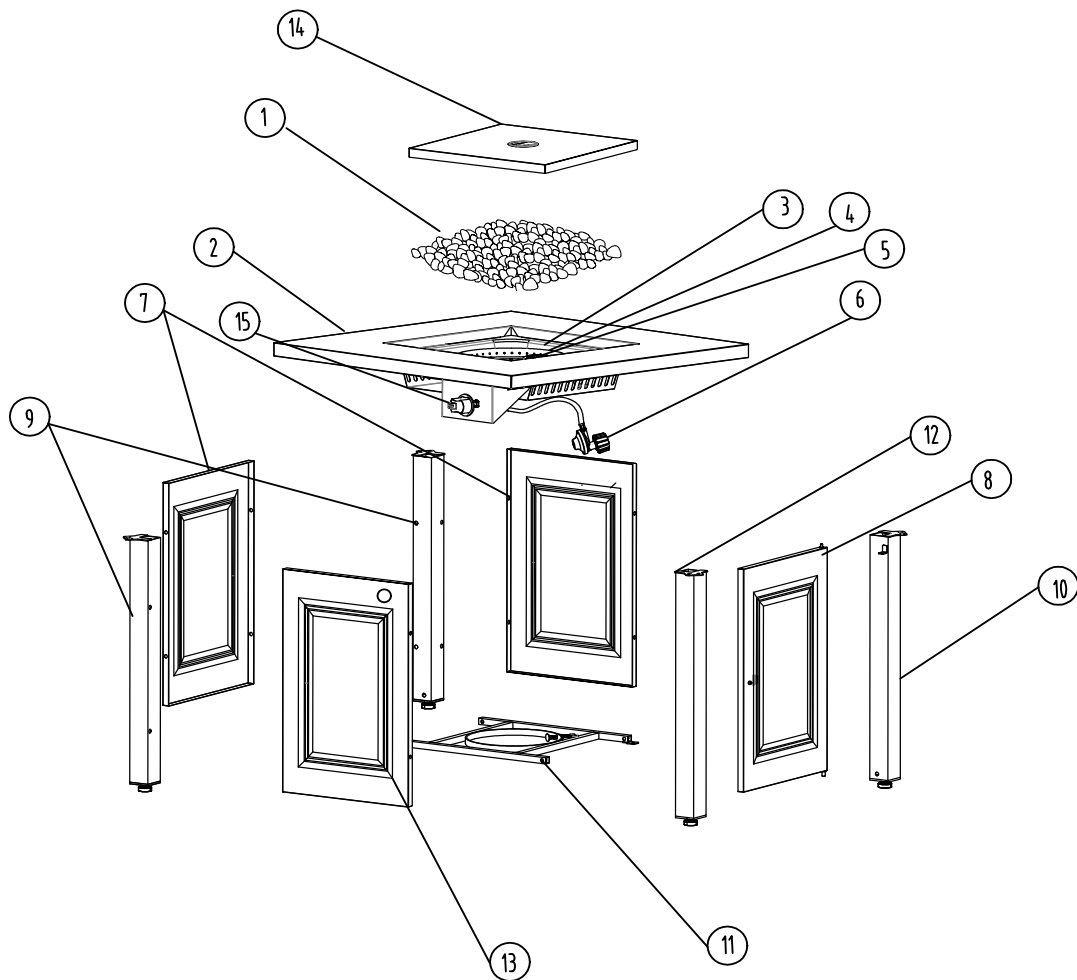
Estimated Assembly Time : 30 minutes

Tools Required

1	#2 Philips Head Screwdriver (Not Included) 1pc	
---	---	--

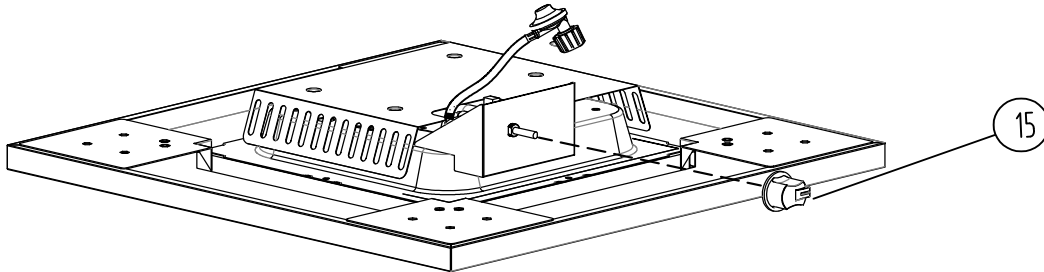
Parts List

S/N	Description	Quantity	S/N	Description	Quantity
1	Lava Rock	1	9	Leg	2
2	Table	1	10	Leg with Tab	1
3	Bottom Bowl*	1	11	Base	1
4	Burner*	1	12	Leg with Magnet	1
5	Igniter Housing*	1	13	Side panel with hole	1
6	Regulator/Hose Assembly*	1	14	Lid	1
7	Side Panel	2	15	Knob	1
8	Door Panel	1			



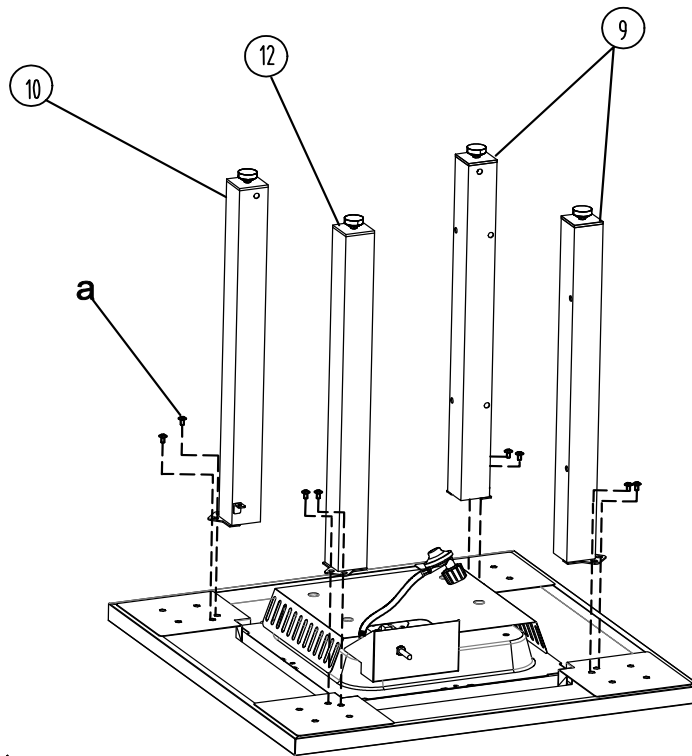
Assembly

Step 1:



Remove the knob(15) from table(2).

Step 2:



a M6 x 12 Bolt  x 8

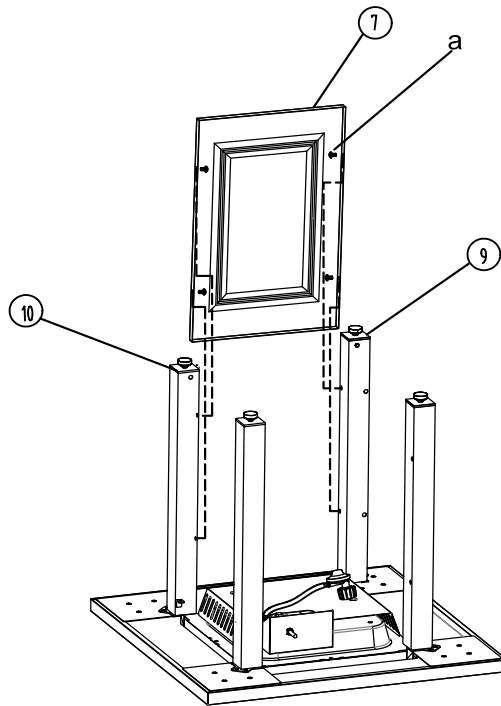
Attach 2pcs Leg(9), 1pc leg with tab(10) and 1pc leg with magnet(12) into table(2) with 8pcs screw M6x12(a).

Note: 1. Pay attention to direction of panel.

2. Do not fasten the screws.

Assembly Instructions

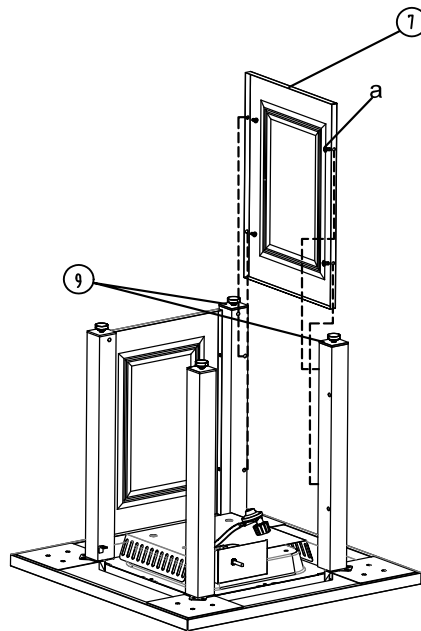
Step 3:



Ⓐ M6 x 12 Bolt  x 4

Attach side panel(7) to leg with tab(10) and leg(9) with 4pcs screw M6x12(a).
Note: Do not fasten the screws.

Step 4:

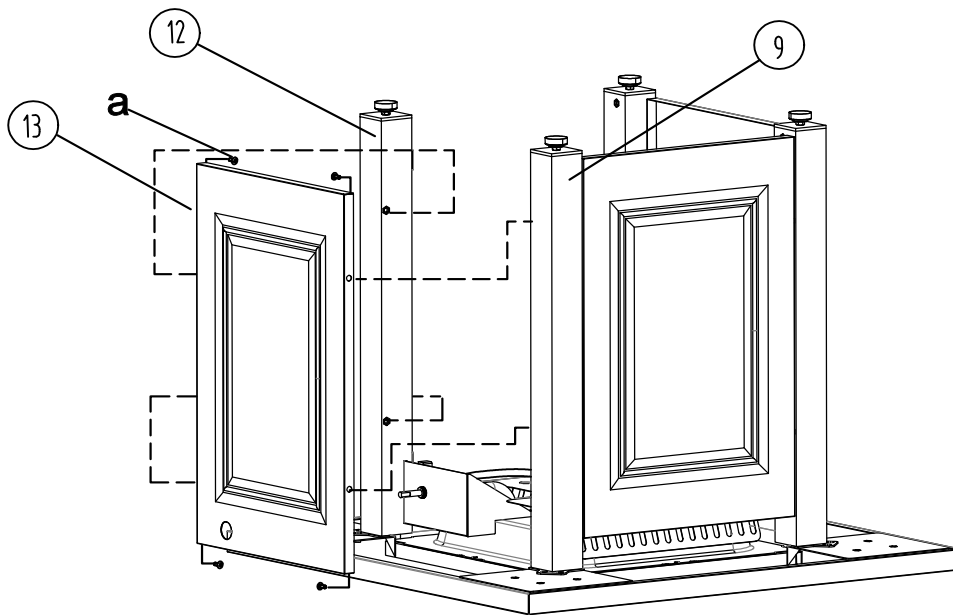


Ⓐ M6 x 12 Bolt  x 4

Assemble side panel(7) between leg(9) with 4pcs screw M6x12(a).
Note: Do not fasten the screws.

Assembly Instructions

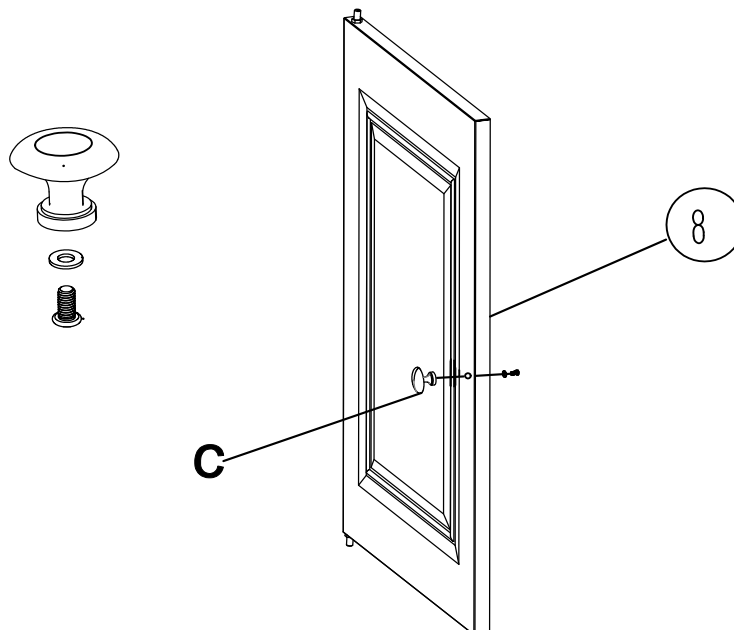
Step 5:



Ⓐ M6 x 12 Bolt  x 4

Attach side panel with hole(13) to leg(9) and leg with magnet(12) with 4pcs screw M6x12(a).
Note: Do not fasten the screws.

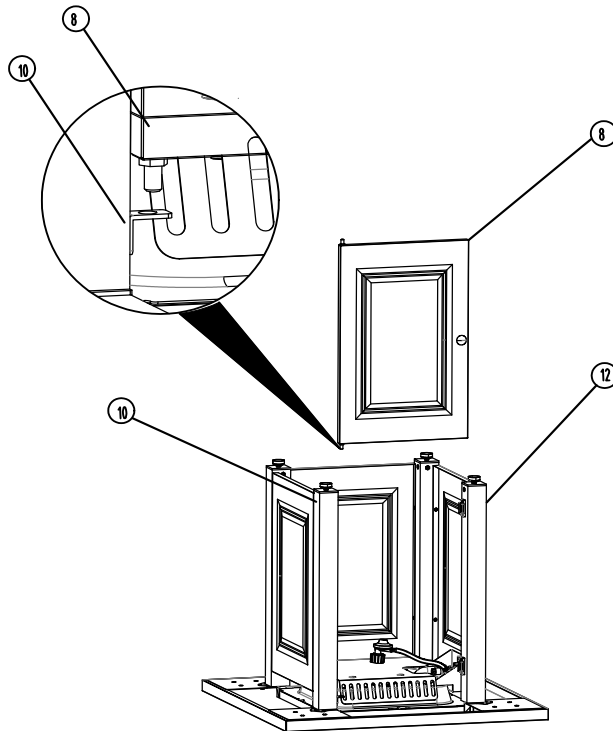
Step 6:



Remove the screws and washer from the door handle(c). Attach it to door panel(8).

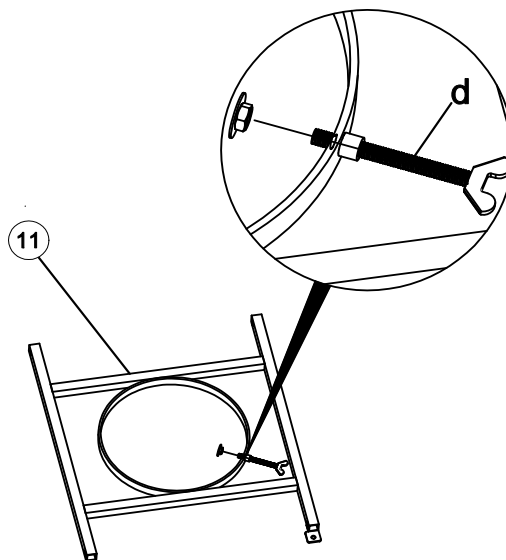
Assembly Instructions

Step 7:



Attach door panel(8) to leg with tab(10).

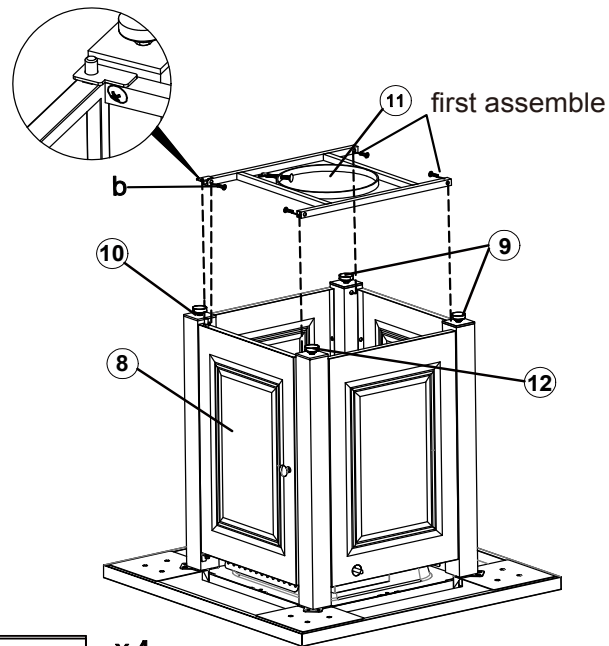
Step 8:



Assemble winging nut (d) to the base(11).

Assembly Instructions

Step 8:

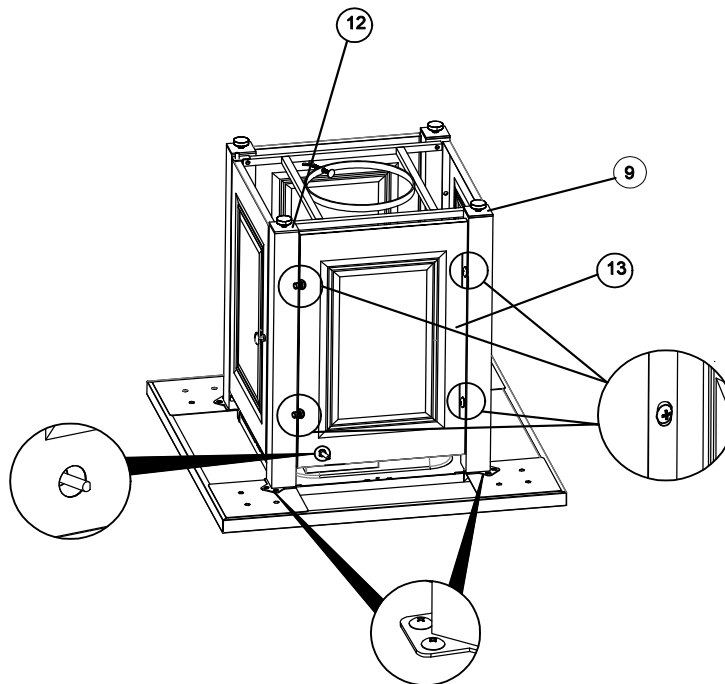


ⓑ M6 x 25 Bolt  x 4

Align the hole of the base(11) to the rivet of the door panel(8) and assemble 4 pcs screw M6x25(b).

Note: Assemble 2pcs screw M6x25(b) in 2pcs legs(9) first, then assemble other 2pcs screws.

Step 9:

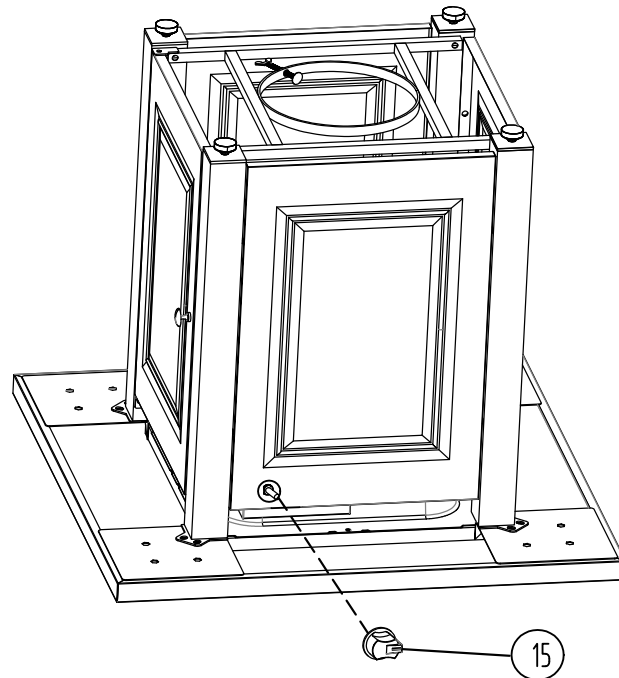


Adjust 4pcs M6X12 screws assembled leg(9) and leg(12) to the table(2) first.

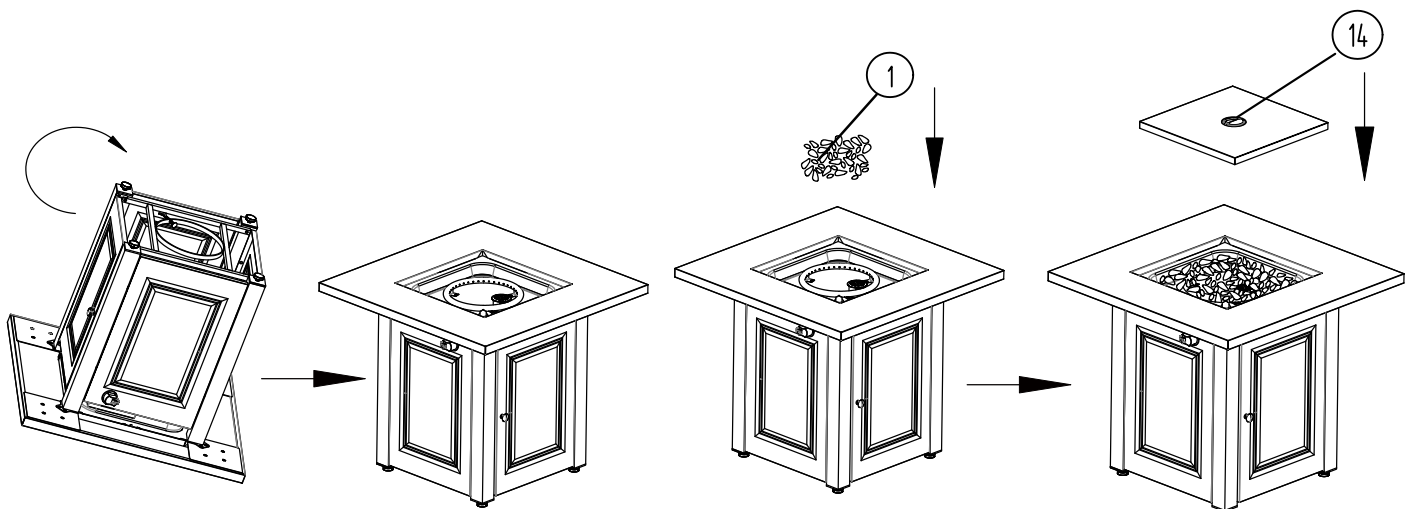
Make sure igniter and valve pole in the middle of the hole, then fasten all screws in Step 2,3,4,5,8,9.

Assembly Instructions

Step 10:



Assemble the knob(15).



Turn unit upright, then place lava rocks(1) into the bottom bowl(3), then tear off the orange label on the igniter housing(5).

CAUTION: Do Not dump lava rocks out of package. Carefully place lava rocks by hand so that dust will not clog burner.

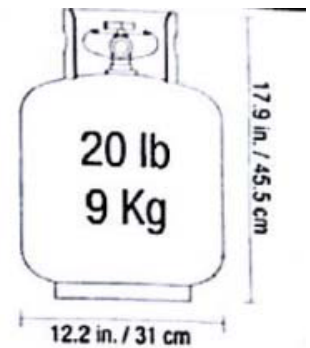
CAUTION: Do Not cover pilot hosing.

Note: Lava rocks should be 0.8-2.0 in. (2-5 cm long). Approx. 5.5 lbs (2.5 kgs) of lava rocks are needed (included).

Installing LP Gas Tank

To operate, you will need one precision-filled standard LP grill gas tank with external valve threads..

⚠ CAUTION: LP gas tank must be properly disconnected and removed prior to moving this outdoor fireplace.

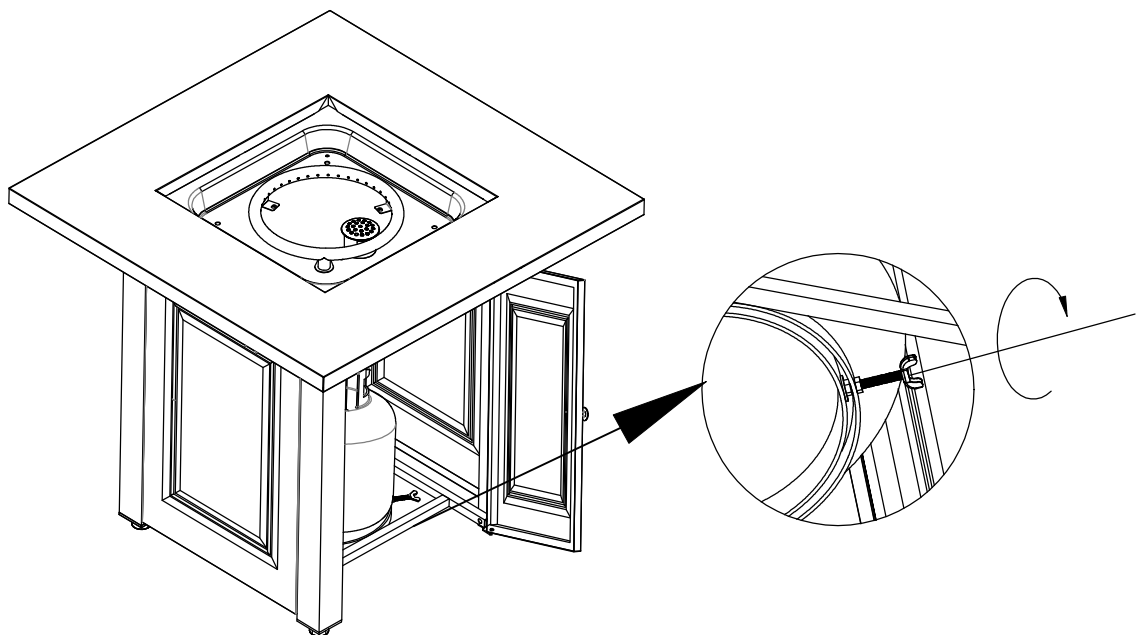


Inserting and securing LP gas tank

WARNING: Make sure LP gas tank valve is closed.

Move the wing nut as below diagrammatic sketch

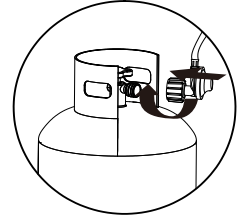
Place precision-filled LP gas tank into ring hole in outdoor fireplace body so the tank valve is facing the gas line connection.



Installing LP Gas Tank

Connection LP gas tank

1. Before connecting, be sure there is no debris caught in the head of the LP gas tank, head of the regulator valve or in the head of the burner or burner ports.
2. Connect regulator/hose assembly to tank by turning knob clockwise until it stops.

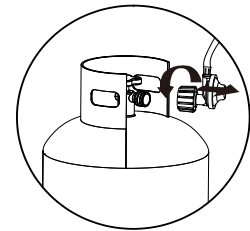


Disconnecting LP gas tank

1. Before disconnecting, make sure the LP gas tank valve is OFF.
2. Disconnecting regulator/hose assembly from LP gas tank by turning knob counterclockwise until it is loose.

CAUTION: LP gas tank must be properly disconnected and removed prior to moving this outdoor fireplace.

3. Place the protective cap cover on the LP gas tank and store the tank outdoors in a well-ventilated area out of direct sunlight.



Operating Instructions

Checking for leaks

*WARNING: Before using this outdoor fireplace, make sure you have read , understand and are following all information provided in the “Warnings” section. Failure to follow those instructions can cause death, serious injury or property damage.

Burner connections

1. Make sure the regulator hose and valve connections are securely fastened to the burner and the tank.
2. Visually check the connection between the burner/venture tube and orifice.
3. Make sure the burner/venture tube fits over the orifice.

WARNING: Failure to inspect this connection or follow these instruction which can cause death, serious bodily injury or damage to property.

4. Please refer to diagrams for proper installation .

Tank/Gas line connection

1. Make 2-3 oz. of leak detection solution by mixing one part liquid dishwashing soap with three parts water.
2. Make sure the control knob is in the "OFF" position.
3. Connect LP gas tank per “Installing LP Gas tank” section.
4. Turn LP gas tank valve to “ON”
5. Spoon several drops of solution or use a spray bottle at all connected locations .
 - a. If any bubbles appear, turn LP gas tank valve “OFF”, reconnect and retest.
 - b. If you continue to see bubbles after several attempts, turn LP gas tank valve “OFF” and disconnect LP Gas tank, per “Disconnecting LP gas tank” section. Contact customer service for assistance 1-800-379-2185.
 - c. If no bubbles appear after one minute, turn LP gas tank valve “OFF”, wipe away solution and proceed.

Lighting

CAUTION:Keep outdoor gas appliance area clear and free from combustible material, gasoline and other flammable vapors and liquid.

CAUTION:Do NOT obstruct the flow of combustion and ventilation air.

CAUTION:Check and clean burner/ venturi tubes for insects and insect nests. A clogged tube can lead to a fire.

CAUTION:Attempting to light the burner with a lid on it may cause an explosion

1. Make sure all labels, packing and protective films have been removed from the outdoor fireplace.
2. Check for obstructions of airflow to the burner. Spiders, insects and webs can clog the burner/venturi tube. A clogged burner tube can lead to a fire.
3. Control knob must be in the "OFF" position.
4. Clear small area of lava rocks away from the pilot housing .
5. Connect LP gas tank per " Installing gas tank" section.
6. Turn LP gas tank valve to "ON".
7. Push in gas control knob & turn counter clockwise to " HIGH" .
8. Manually ignite with match or lighter.
9. Afterthe fire pit lights, release control knob. To decrease the flame, turn the control knob ccounterclockwise to "LOW". To increase the flame, turn the control knob clockwise to "HIGH".

Note: If burner fails to remain lit, all valves should be closed and a waiting periodof at least 5 minutes should pass before attempting to light.

CAUTION: After lighting - using a fireplace tool and heat-resistant gloves, carefully move the lava rocks back to their proper position, being careful to avoid the flame.

CAUTION: If ignition does not occur in 5 seconds turn burner control knob to "OFF" , wait 5 minutes, fan with a newspaper or magazine, and repeat lighting procedure.

Turning Off

1. Turn LP gas tank valve "OFF" .
2. Turn control knob to the "OFF" position.

Note: A "poof" sound is normal as the last of the LP gas in burned.

3. Disconnect LP gas tank per "Disconnecting LP gas tank" section.

Cleaning and Care

CAUTION:

1. All cleaning and maintenance should be done when outdoor fireplace is cool and with the fuel supply disconnected.
2. Do Not clean any outdoor fireplace part in a self-cleaning oven. The extreme heat will damage the finish.
3. Do Not enlarge valve orifices or burner ports when cleaning the valves or burners.

Notices

1. This outdoor fireplace should be thoroughly cleaned and inspected on a regular basis.
2. Abrasive cleaners will damage this product.
3. Never use cleaner to clean any part of this outdoor fireplace.

Before each use:

1. Keep the outdoor fireplace area free from any combustible materials, gasoline and other flammable vapors and liquids.
2. Do Not obstruct the flow of the combustion of LP gas and the ventilation of air.
3. Keep the ventilation openings of the LP gas tank area free and clear from debris.
4. Visually check the burner flames to make sure your outdoor fireplace is working properly.
5. See sections below for proper cleaning instructions.
6. Check all gas connections for leaks.
7. Check components for signs of damage or rust.
8. Check for obstructions of airflow to the burner. Spiders, insects and webs can clog the burner/venture tube. A clogged burner/venture tube can lead a fire.
9. If damage to any components is detected, do not operate until repairs are completed.

Cleaning and Care

Cleaning surface

1. Wipe surface clean with mild dishwashing detergent or baking soda mixed with water.
2. For stubborn stains, use a citrus-based cleaner and nylon scrubbing brush.
3. Rinse clean with water.
4. Allow to air dry.

Before Storing

1. Turn LP gas tank valve “OFF” .
2. Turn control knob to the “OFF” position.
3. Disconnect LP gas tank per” Disconnecting LP gas tank” section.
4. Clean all surface.
5. Lightly coat the burner with cooking oil to prevent excess rusting.
6. Cover this outdoor fireplace with a durable vinyl cover.
7. Store in cool and dry location away from children and pets.

TROUBLESHOOTING:

Problem	Possible Cause	Prevention/Cure
Burner will not light with match/lighter	LP gas tank valve is closed	Make sure regulator is securely attached to the LP gas tank per "Installing LP Gas Tank" section, then turn LP gas tank valve to "ON"
	No gas flow	Check if LP gas tank is empty. A.If empty exchange, refill or replace B.If LP gas tank is not empty, refer to "Sudden drop in gas flow or reduced flame height"
	LP gas tank is low or empty	Exchange, refill or replace LP gas tank
	LP gas leak	1. Turn LP gas tank valve "OFF" . 2. Wait 5 minutes for gas to clear 3. Follow "Checking for leaks" section
	Coupling nut and regulator not fully connected	Turn the coupling nut about one-half to three-quarter additional turn until solid stop. Tighten by hand only-do NOT use tools.
	Obstruction of gas flow	1. Clear burner/venture tube 2. Check for bent hose
	Disengagement of burner to valve	Re-engage burner and valve
	Spider webs or insect nest in burner/venture tube	Clean burner/venture tube
	Burner ports clogged or blocked	Clean burner ports
Sudden drop in gas flow or reduced flame height	Out of gas	Exchange, refill or replace LP gas tank
	Excess flow; safety device may have been activated	1. Turn control knob to "OFF" . 2. Wait 30 seconds and light outdoor fireplace per "Lighting" section. 3. If flames are too low, reset overfilling prevention device: a. Turn control knob "OFF" b. Turn LP gas tank valve "OFF" disconnect regulator turn control knob to "HIGH" c. Wait one minute d. Turn control knob to "OFF" reconnect regulator and leak check connections, being careful not to fully open valve e. Light outdoor fireplace per "Lighting" section
Irregular flame pattern, flame does not run the full length of burner	Burner ports are clogged or blocked	Clean burner ports

TROUBLESHOOTING:

Problem	Possible Cause	Prevention/Cure
Flame is yellow or orange	New burner may have residual manufacturing oils	Burn outdoor fire pit for 15 minutes and inspect.
	Spider webs or insect nest in burner/venture tube	Clean burner/venture tube
	Poor alignment of valve to burner/venture tube	Ensure burner/venture tube is properly engaged with valve
Flame goes out	High or gusting winds	Do NOT use outdoor fireplace in high winds
	Low on LP gas	Exchange, refill or replace LP gas tank
	Excess flow valve tripped	Refer to "Sudden drop in gas flow or reduced flame height"
Flashback (fire in burner/venture tube(s))	Burner and /or burner/venture tube is blocked	Clean burner and /or burner/venture tube
Flame seems to lose heat when burning in cold weather temperature below 50°F	Ice has built up on the outside of the LP gas tank because the vaporization process is too slow.	<ol style="list-style-type: none"> 1. Turn LP gas tank valve "OFF" . 2. Turn control knob to "OFF". 3. Replace with a spare LP gas tank. 4. Reconnect LP gas tank per "Installing LP gas tank" section. 5. Follow "Checking for leaks" section. 6. Light outdoor fire place per "Lighting" section.

CARE AND MAINTAINCE

Service:

Repair gas passages and associated components should be done only by a qualified service person.

Caution: Always allow heater to cool before attempting service.

Warranty Information

This product has a 1 year guarantee against defects in material and/or workmanship. **INSISTS ON THE HIGHEST STANDARD OF QUALITY IN MANUFACTURING. IN CASE OF ANY ISSUES DO NOT RETURN TO STORE.**

CALL 1-800-379-2185 OR E-MAIL US AT info@calell.com WITH QUESTIONS OR WARRANTY ISSUES.

OUR OFFICE HOURS ARE MONDAY TO FRIDAY

8 AM – 4 PM (PST). WE WILL BE BACK TO YOU AS QUICKLY AS POSSIBLE.

