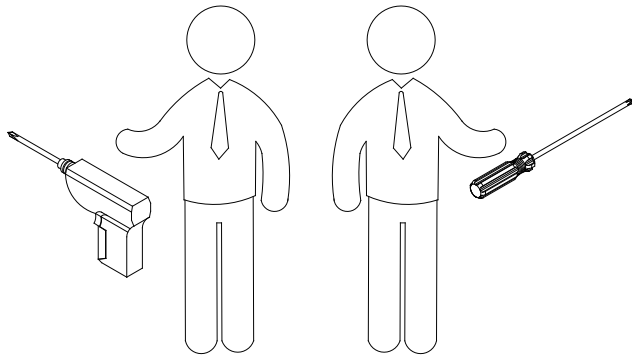


TV STAND

Assembly Instructions - Please keep for future reference

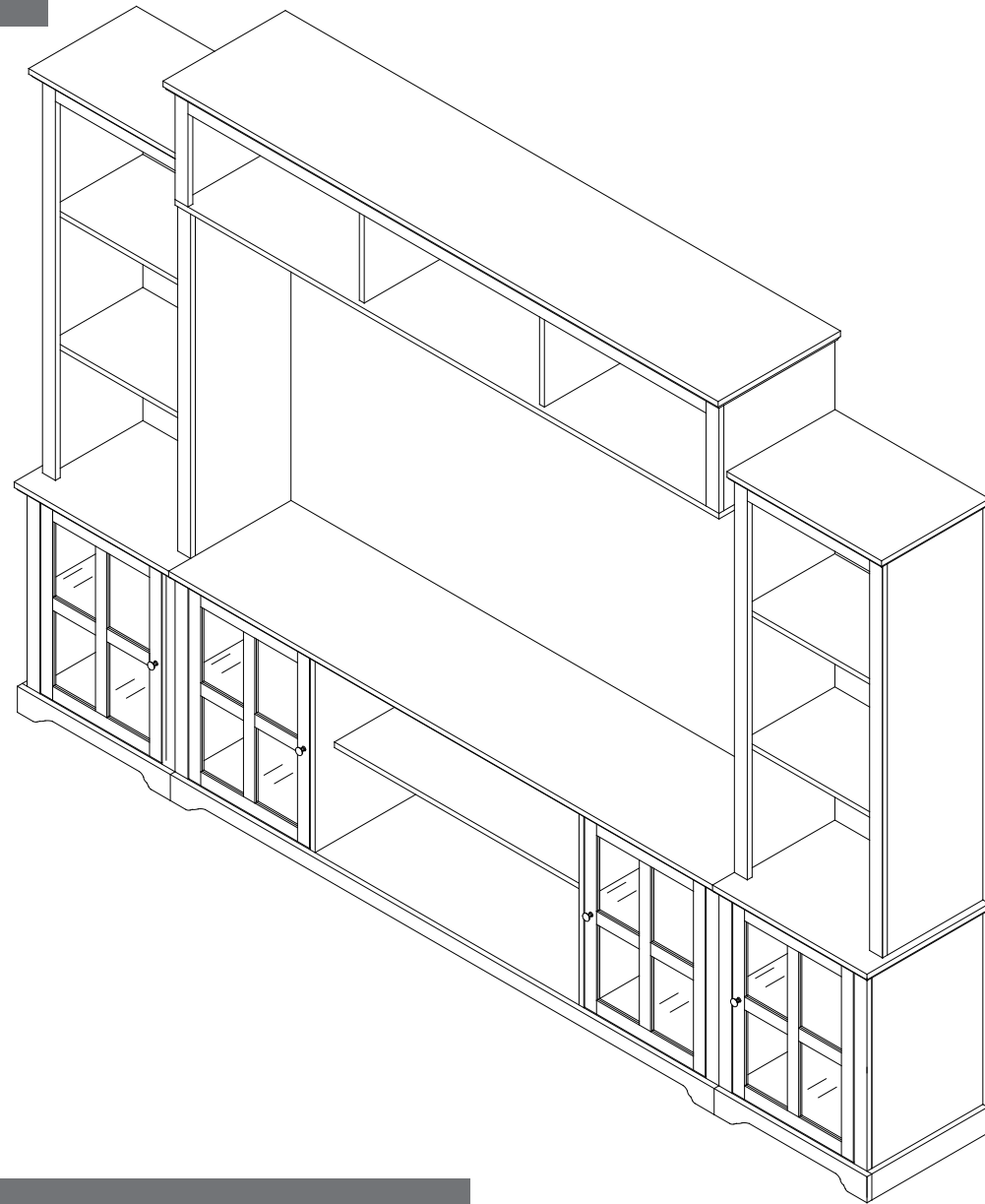


Dimensions

Width-104.33inch

Depth-14.96inch

Height-76.77inch



Important – Please read these instructions fully before starting assembly

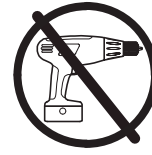


Safety and Care Advice

Important – Please read these instructions fully before starting assembly

- Check you have all the components and tools listed on the following pages.
- Remove all fittings from the plastic bags and separate them into their groups.
- Keep children and animals away from the work area, small parts could choke if swallowed.
- Make sure you have enough space to layout the parts before starting.

- During assembly do not stand or put weight on the product, this could cause damage.
- Assemble the item as close to its final position (in the same room) as possible.
- Assemble on a soft level surface to avoid damaging the unit or your floor.
- Parts of the assembly will be easier with 2 people.



power drill is set on a low torque setting.

- To reduce the likelihood of damaging your product please ensure that your

Care and maintenance

- Only clean using a damp cloth and mild detergent, do not use bleach or abrasive cleaners.
- From time to time check that there are no loose screws on this unit.
- This product should not be discarded with household waste. Take to your local authority waste disposal centre.

Handy Hints

- Assemble all parts and bolts loosely during assembly, only once the product is complete should you fully tighten the bolts
- Regularly check and ensure That all bolts and fittings are tightend properly.

WARNING

In order to help prevent overturning – please follow these instructions

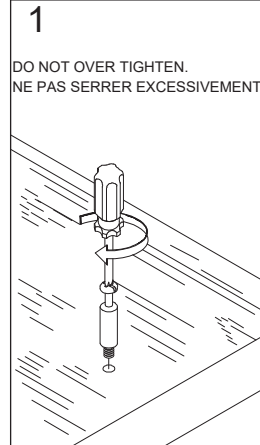
To help prevent product toppling over please follow the below steps:-

- Use the anti tip stap or wall fixing method provided (if applicable)
- Do not allow children to climb or hang on the furniture
- Do not open more than one drawer at a time
- Do not place heavy items in the top drawers
- Do not place heavy items on top of the furniture, unless the furniture has been designed for this purpose

Using Camlocks

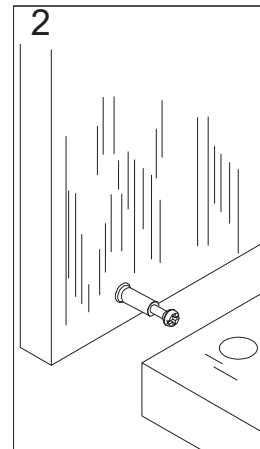
Step 1

Connect the male camlock as directed in the assembly instructions using a screwdriver.



Step 2

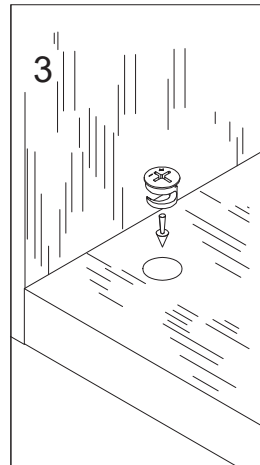
Push the male camlock into the entry hole.



Step 3

Insert the female camlock as shown in the instruction.

Note: ensure that the arrow on the top of the camlock points towards the entry hole for the male camlock.

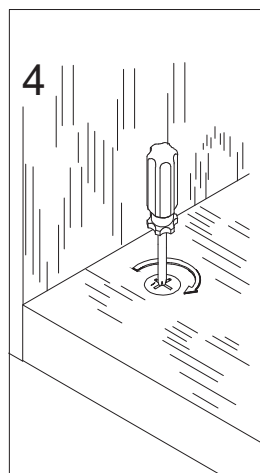


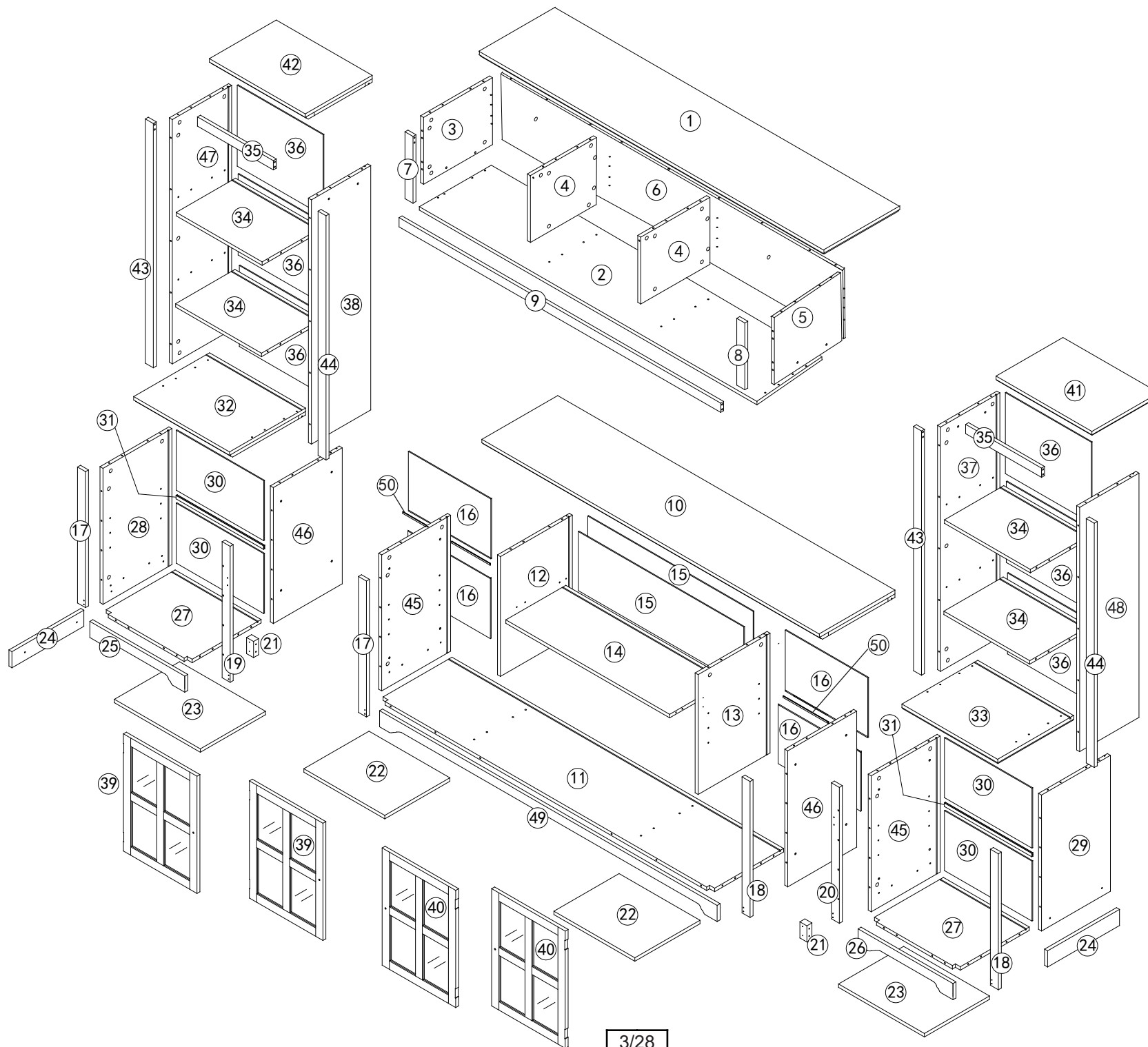
Step 4

Turn the female camlock clockwise with a screwdriver.

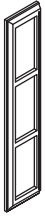
You should feel a click when the camlock is locked in place.

The joint is now secure.





① x1



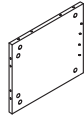
1743x378x30mm

② x1



1693x359x15mm

③ x1



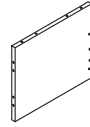
290x343x15mm

④ x2



290x330x15mm

⑤ x1



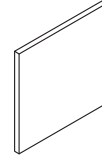
290x343x15mm

⑪ x2



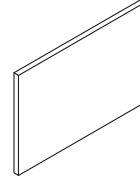
70x35x25mm

⑫ x2



405x297x12mm

⑬ x2



429x298x12mm

⑭ x2



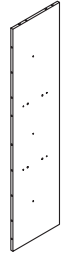
361x65x15mm

⑮ x1



476x15mm

⑥ x1



1661x290x12mm

⑦ x1



290x40x15mm

⑧ x1



290x40x15mm

⑨ x1



1612x40x15mm

⑩ x1



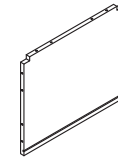
1695x379x15mm

⑯ x1



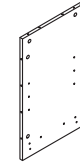
476x65x15mm

⑰ x2



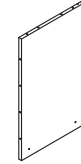
431x361x15mm

⑱ x1



590x345x15mm

⑲ x1



590x345x15mm

⑳ x4



439x266x3mm

㉑ x1



1665x360x15mm

㉒ x1



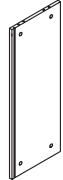
525x360x15mm

㉓ x1



525x360x15mm

㉔ x1



821x300x15mm

㉕ x2



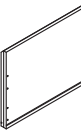
829x263x3mm

㉖ x2



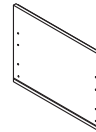
475x15x2mm

㉗ x1



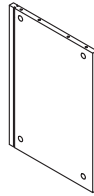
480x380x30mm

㉘ x1



480x380x30mm

㉙ x4



430x296x12mm

㉚ x2



380x40x15mm

㉛ x4



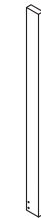
415x266x3mm

㉜ x2



590x40x15mm

㉝ x2



590x40x15mm

㉞ x1



590x40x15mm

㉟ x1



590x40x15mm

㊱ x6



438x354x3mm

㊲ x1



1063x297x15mm

㊳ x1



1063x297x15mm

㊴ x2



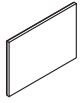
520x375x15mm

㊵ x2



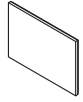
520x375x15mm

④① x1



480x330x30mm

④② x1



480x330x30mm

④③ x2



1063x40x15mm

④④ x2



1063x40x15mm

④⑤ x2



590x345x15mm

④⑥ x2



590x345x15mm

④⑦ x1



1063x297x15mm

④⑧ x1



1063x297x15mm

④⑨ x1

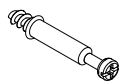


1700x70x15mm

④⑩ x2



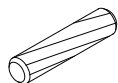
405x15x2mm



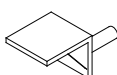
Ax136



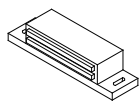
Bx136



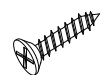
Cx142



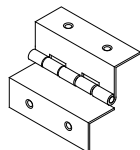
Dx16



E x4



F x8



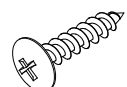
G x8



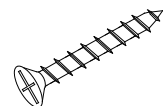
H x36



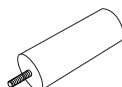
I x2



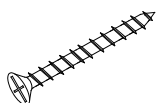
J x16



K x8



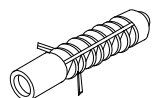
L x2



M x5



N x2



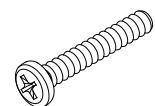
O x5



P x2



Q x54



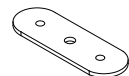
R x12



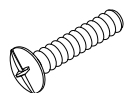
S x12



T x4

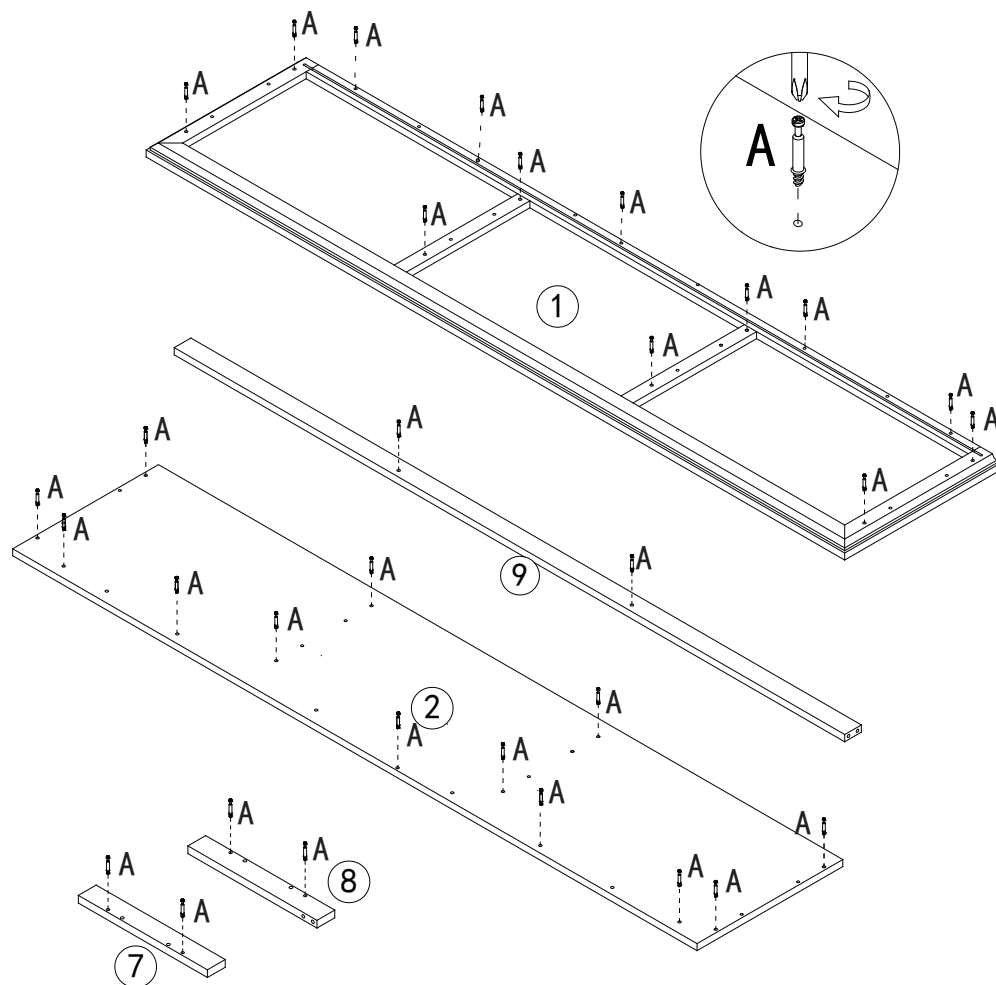


U x4

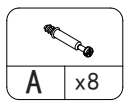
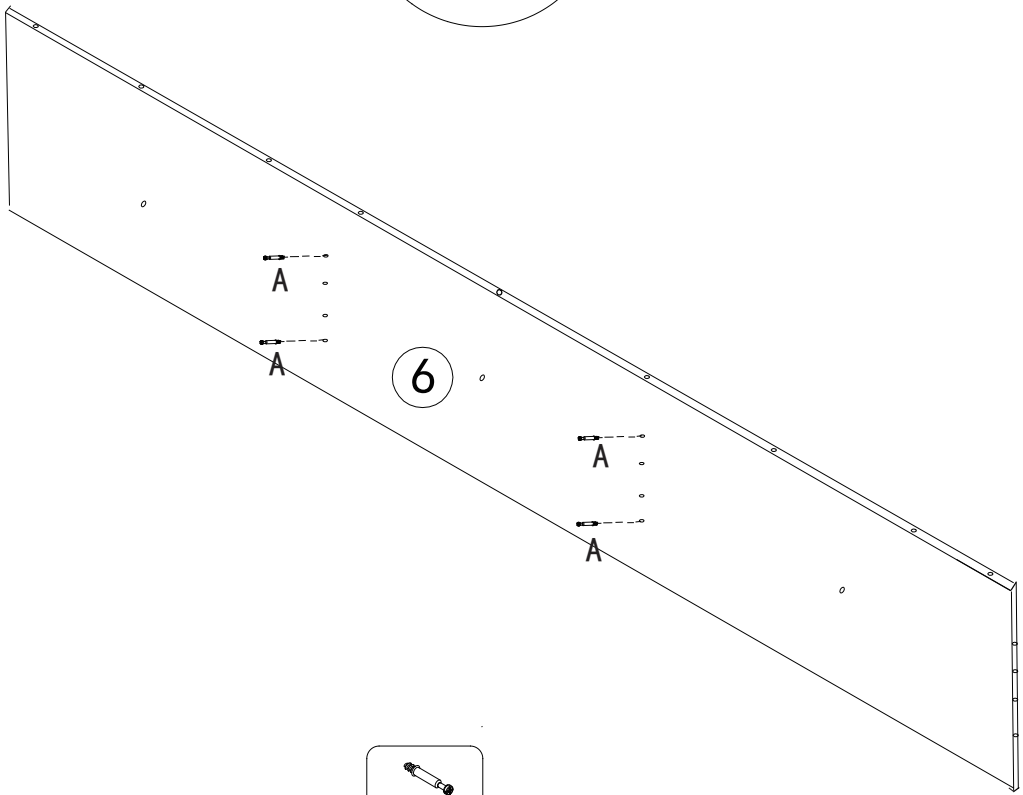
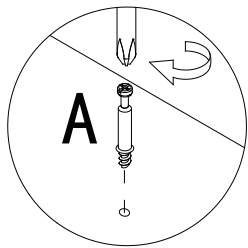
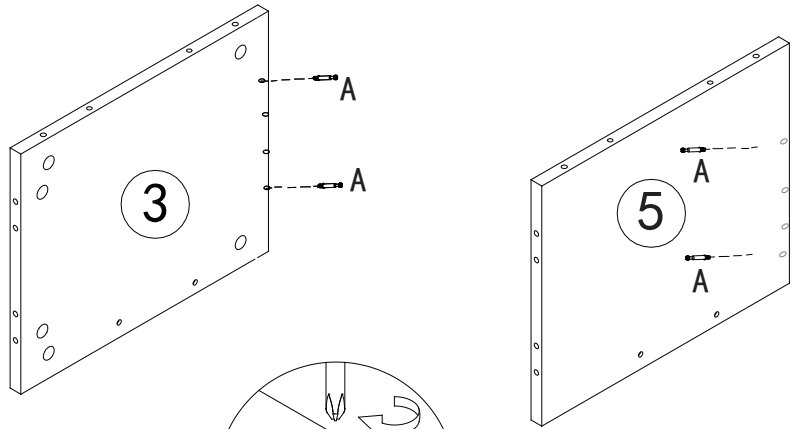


V x4

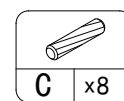
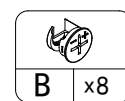
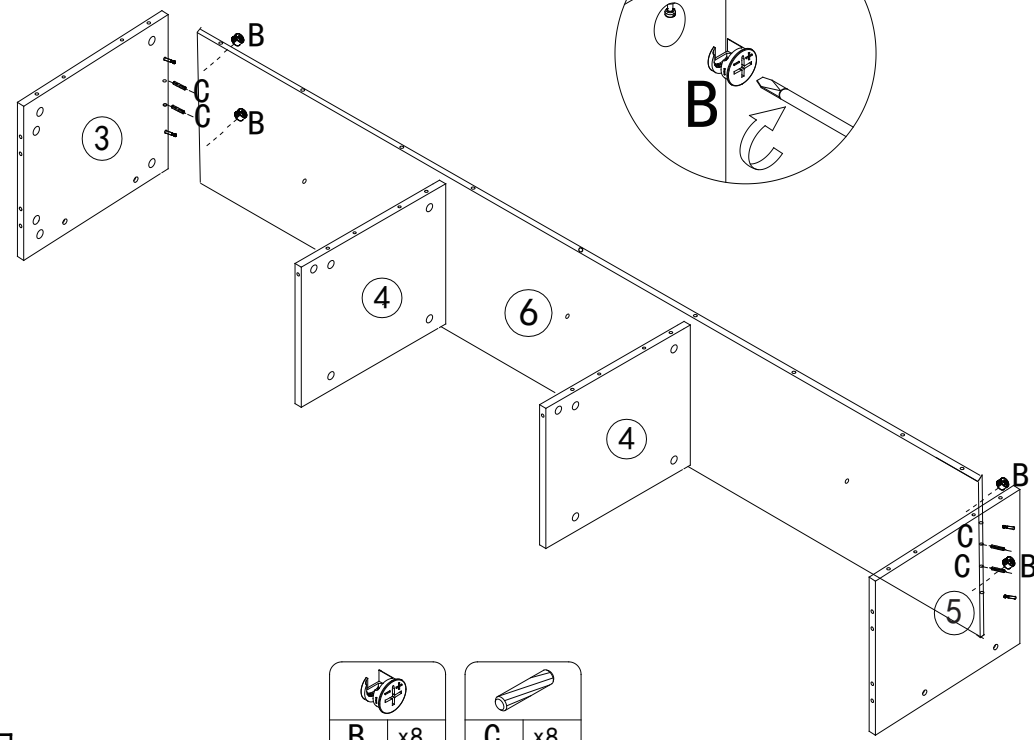
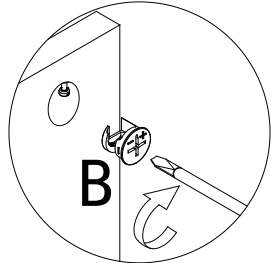
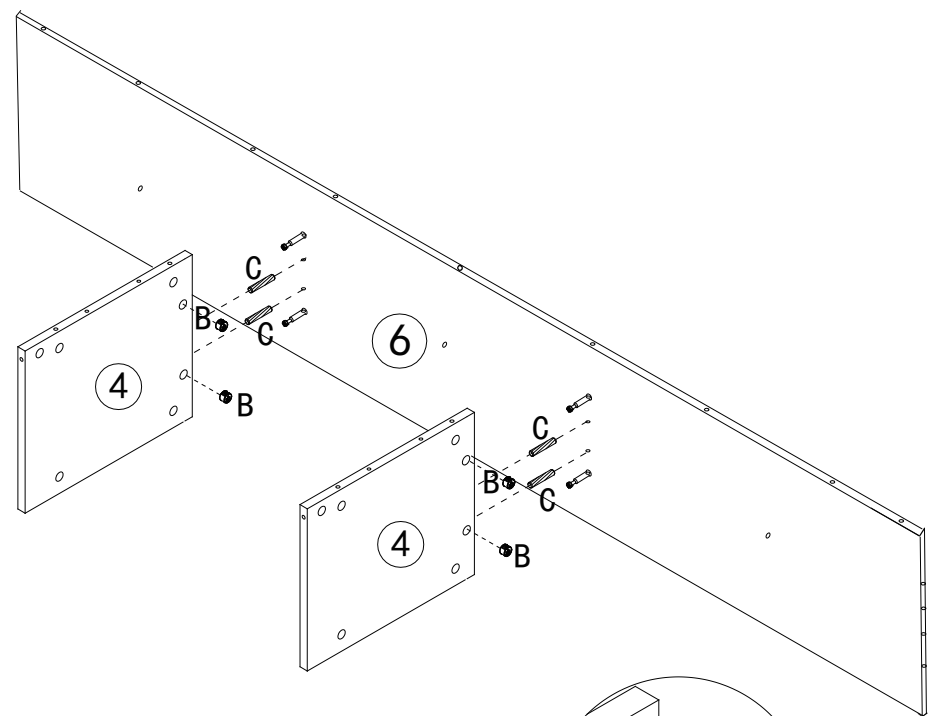
1



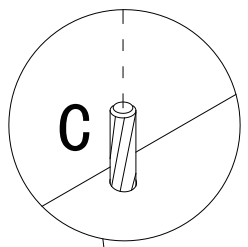
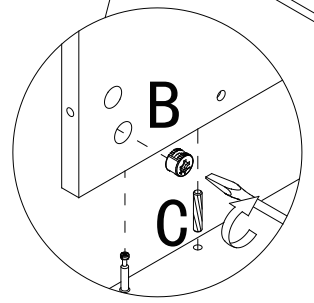
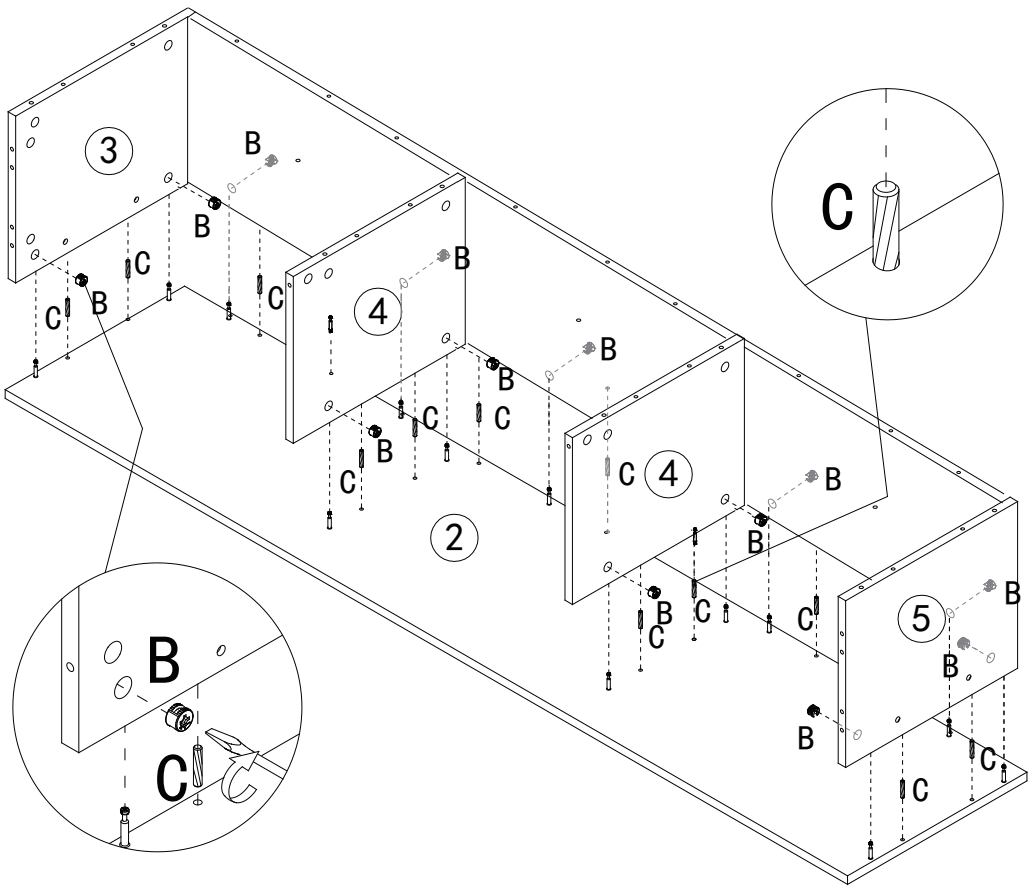
2





3



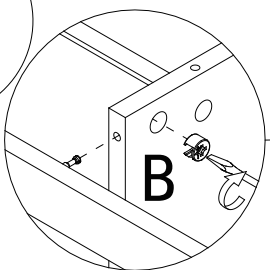
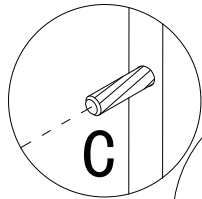
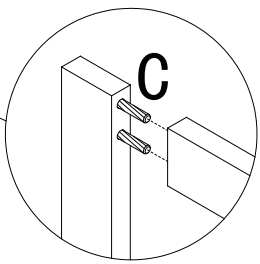
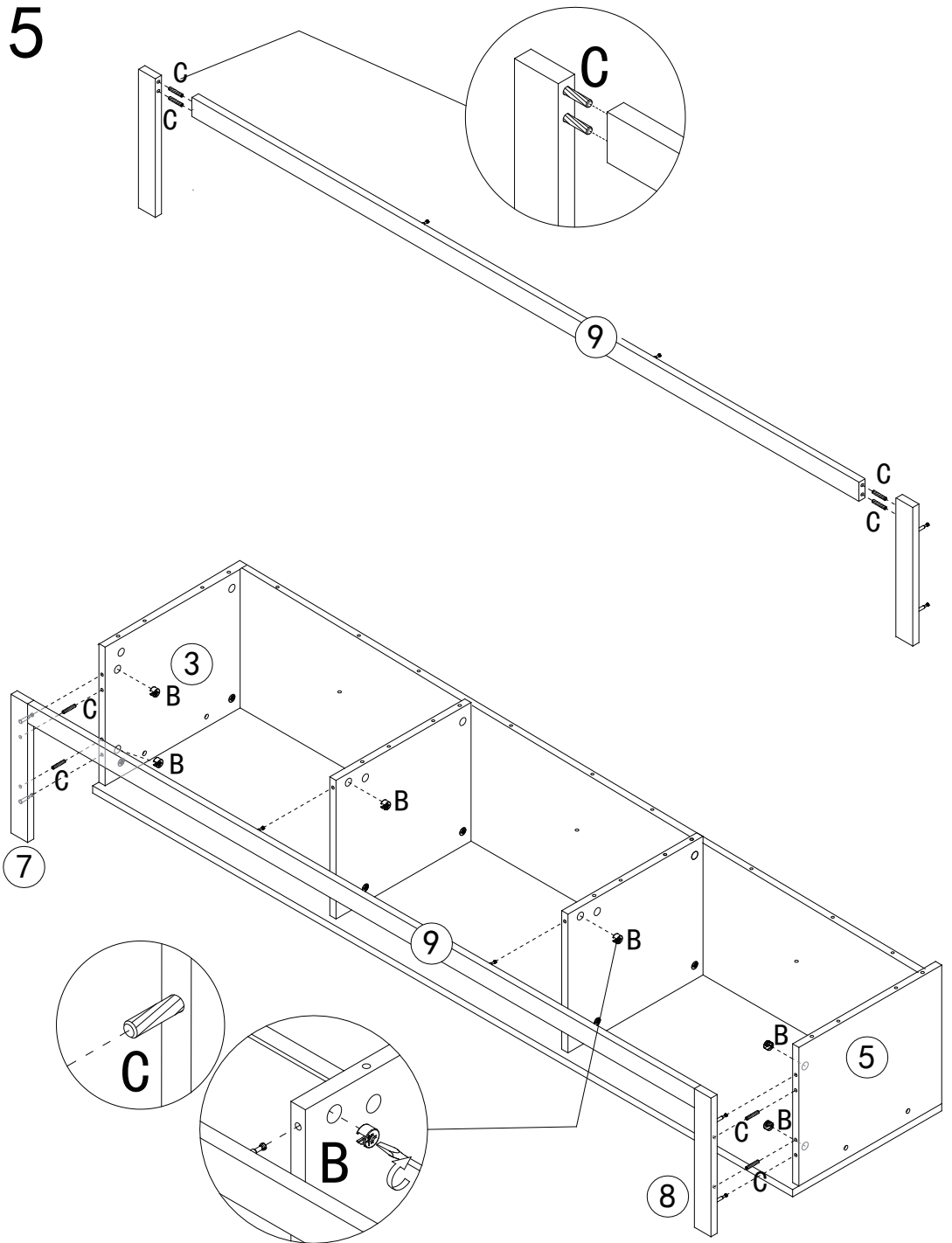
4




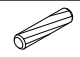
	B	x13
---	----------	-----

	C	x12
---	----------	-----

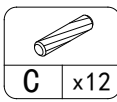
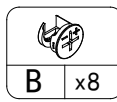
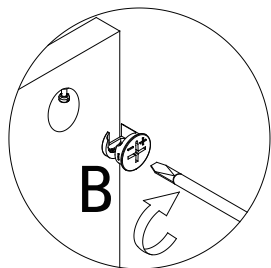
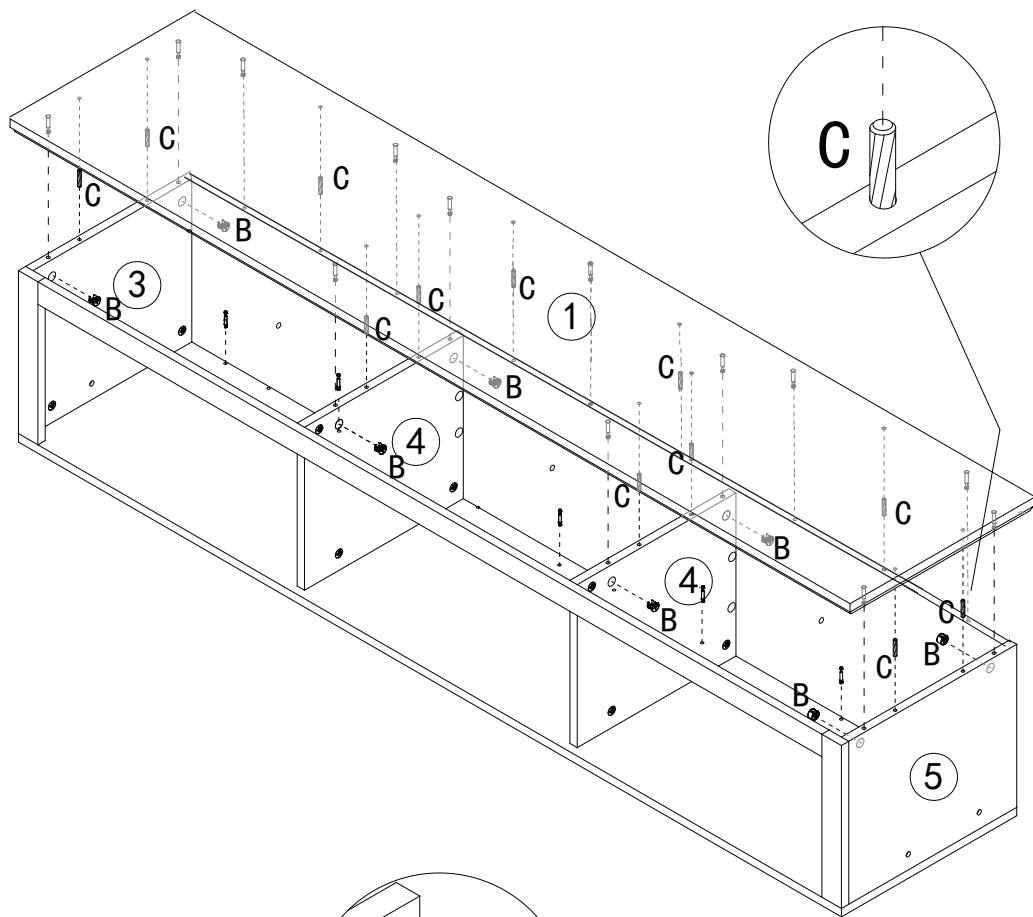
5



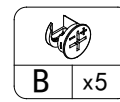
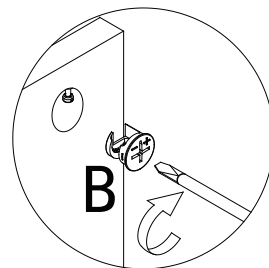
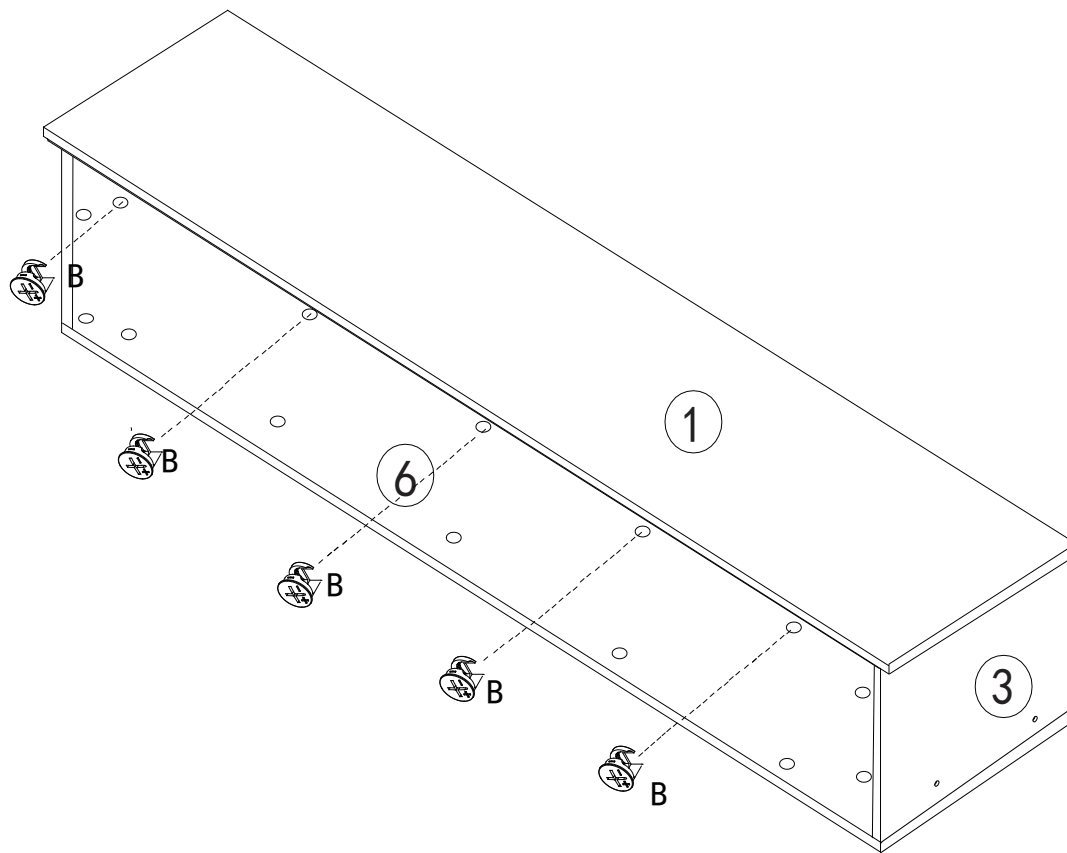
	B	x6
---	----------	----

	C	x8
---	----------	----

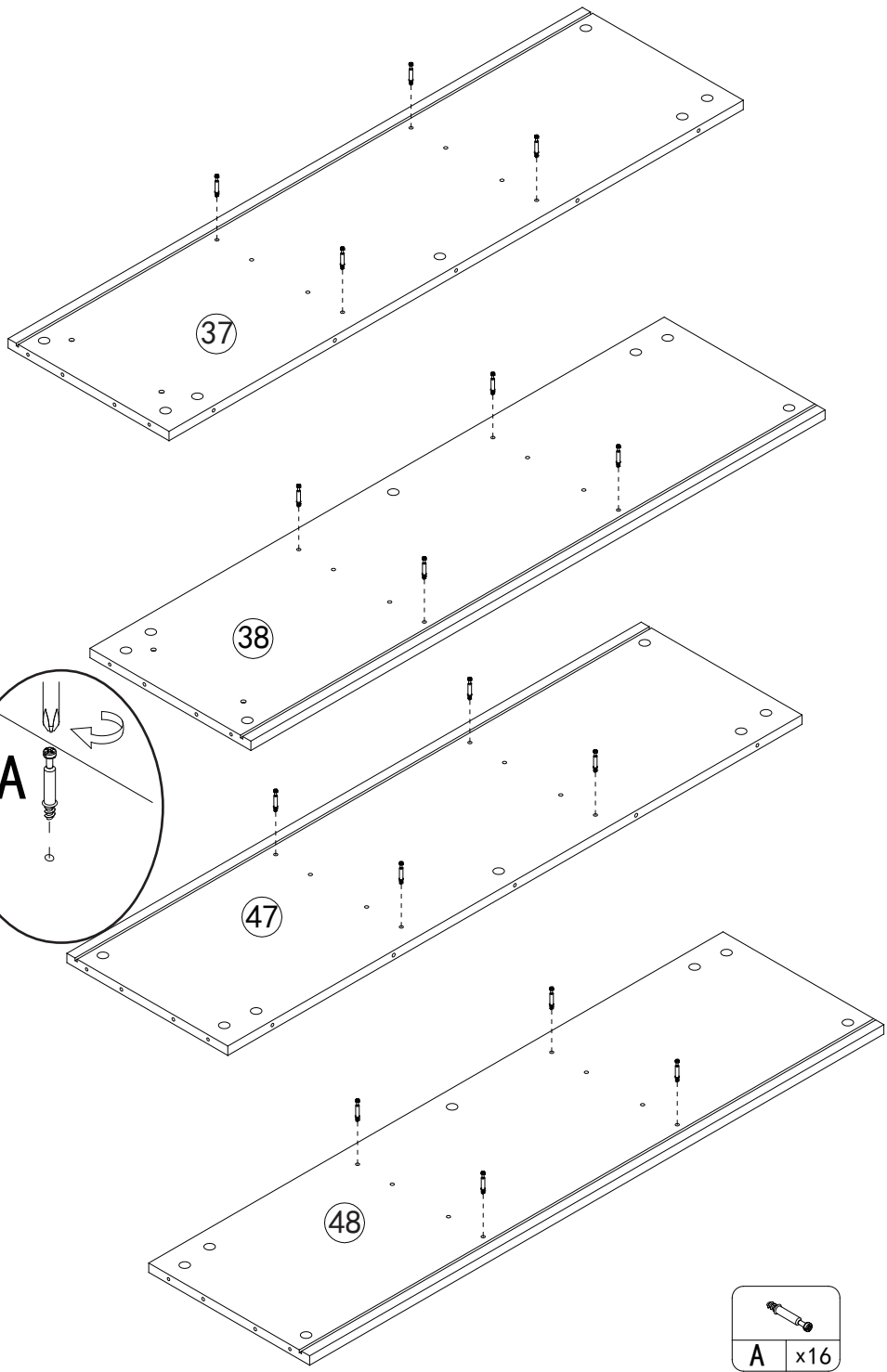
6



7

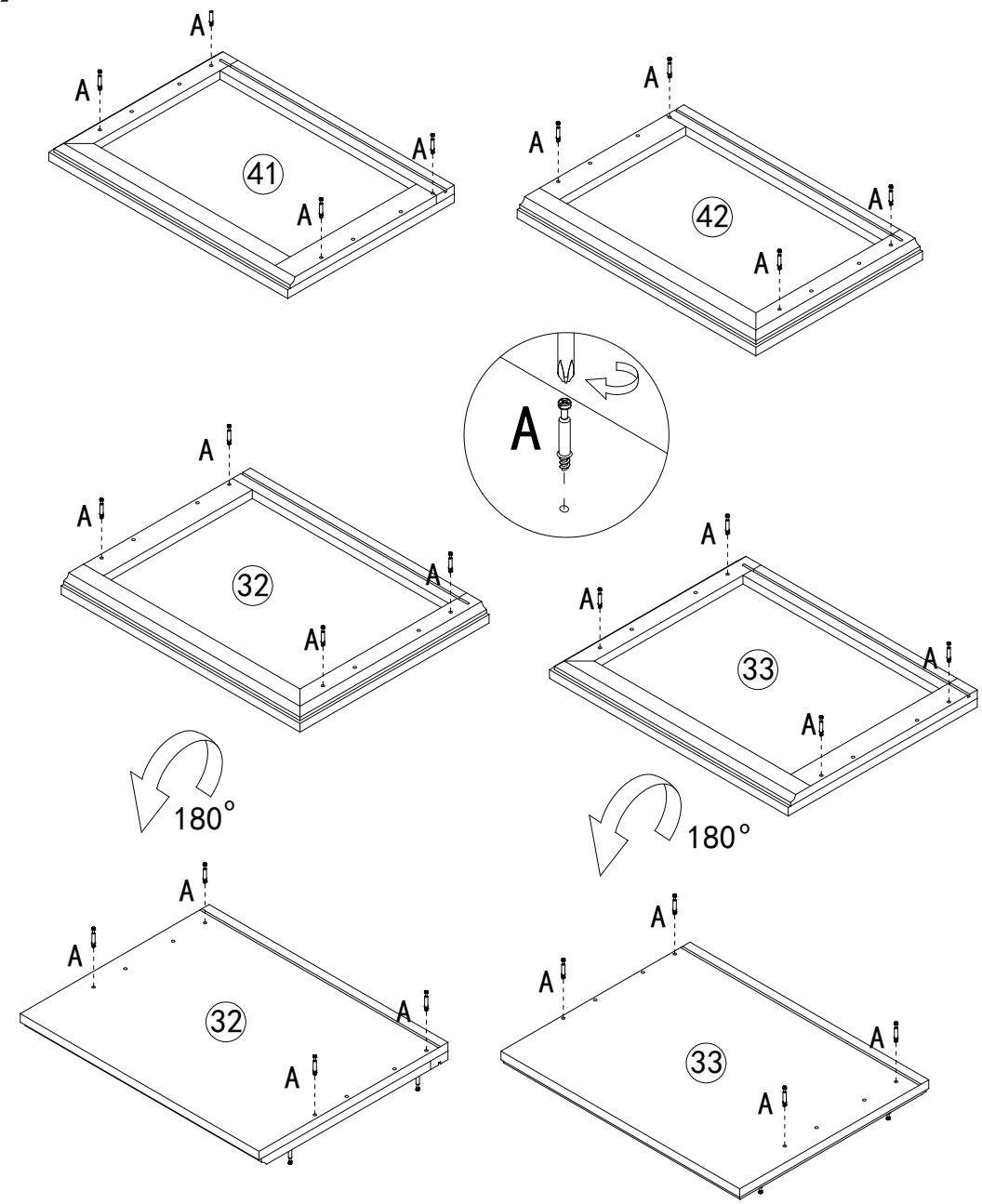


8



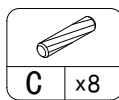
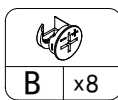
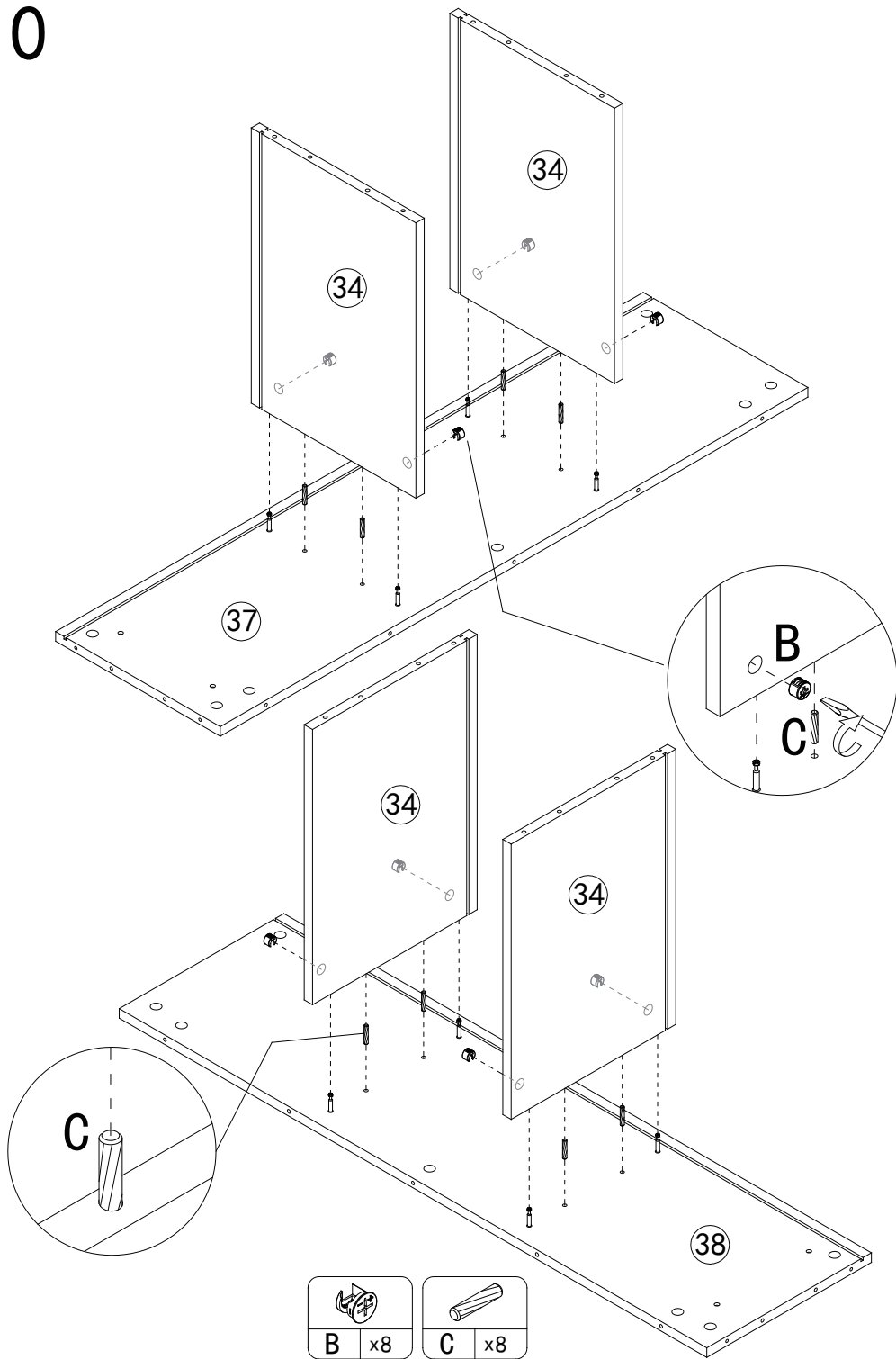
A x16

9

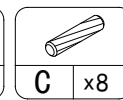
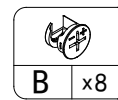
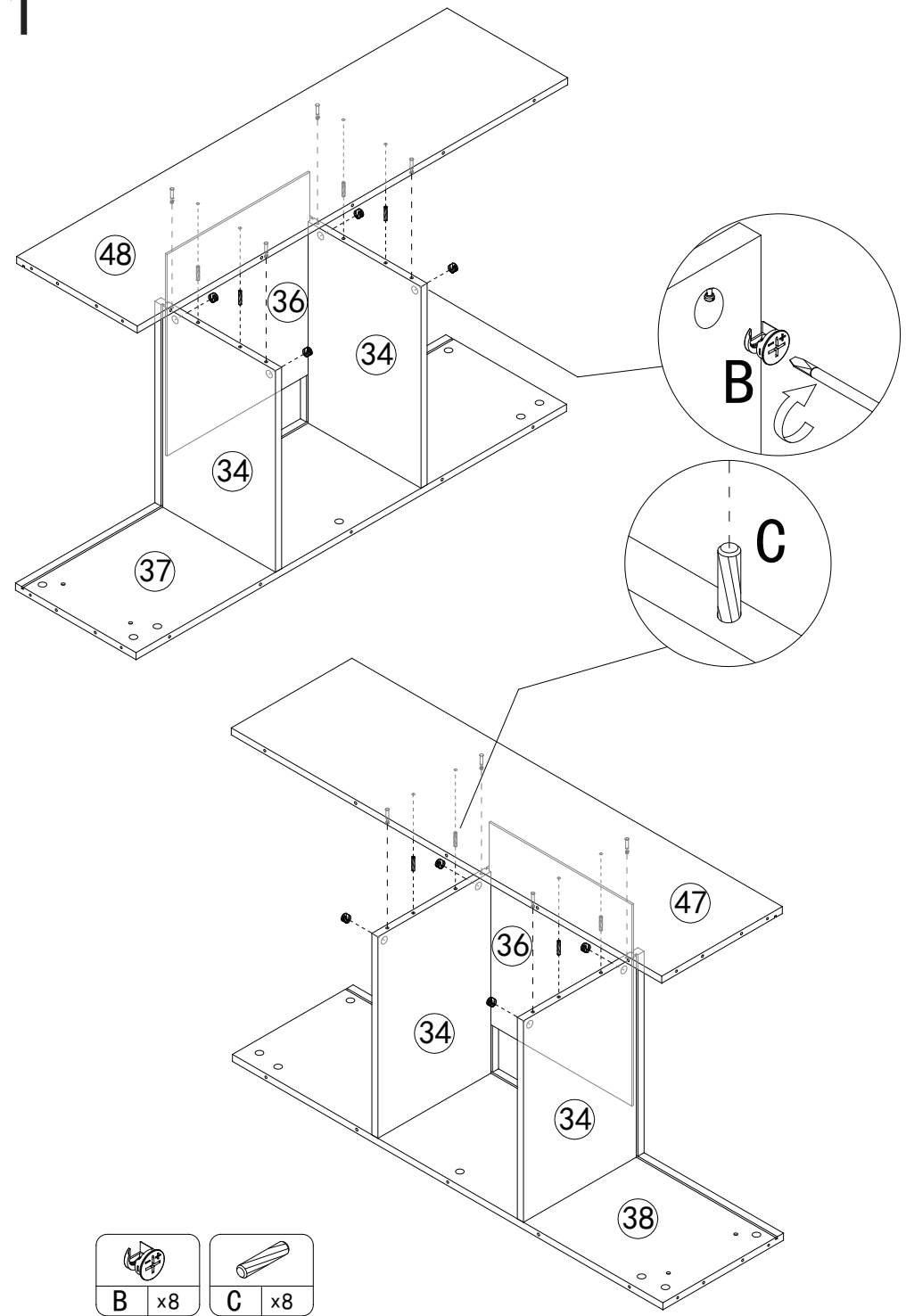


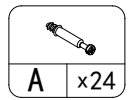
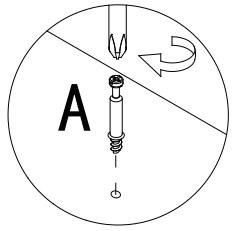
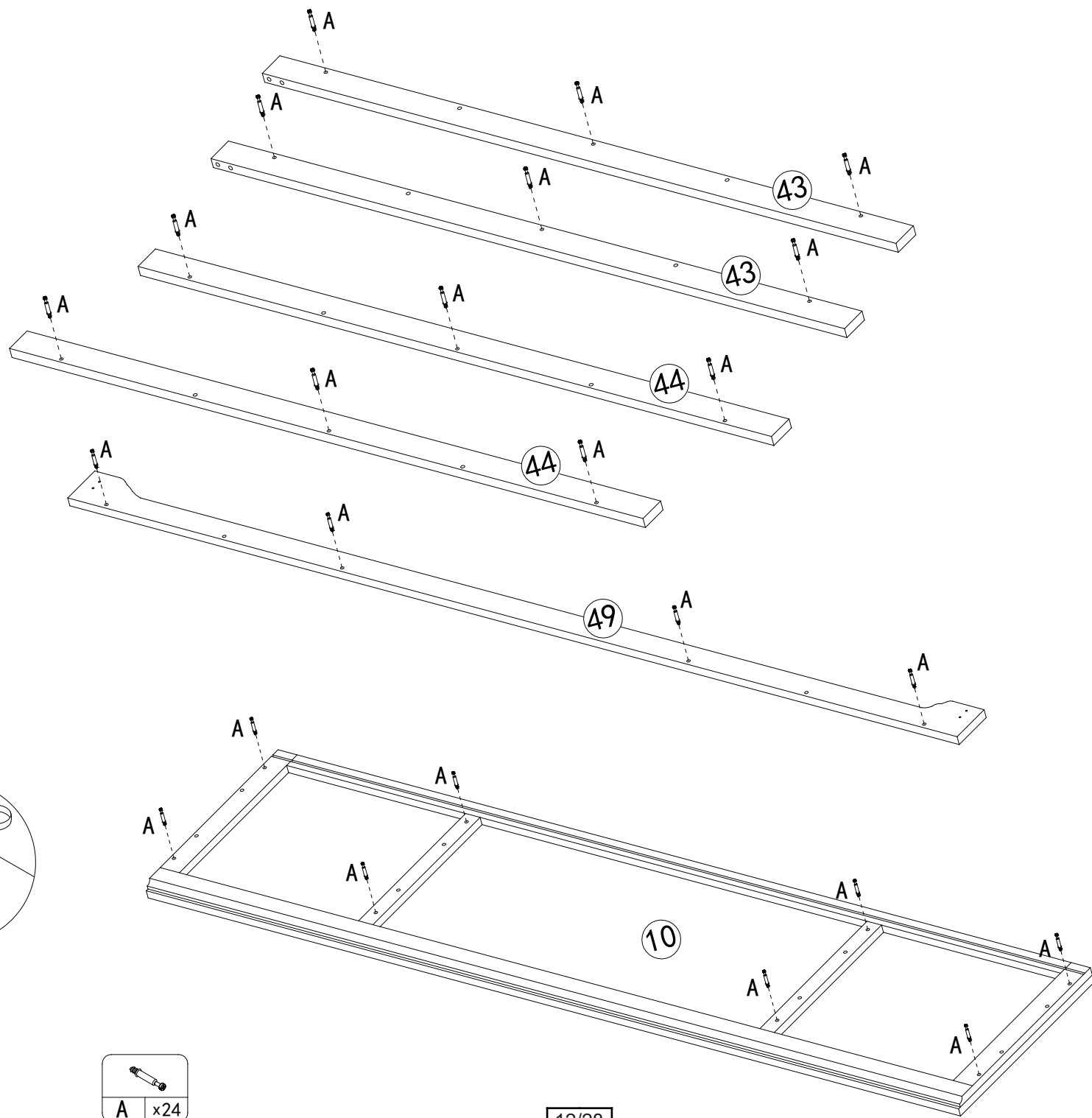
A x24

10

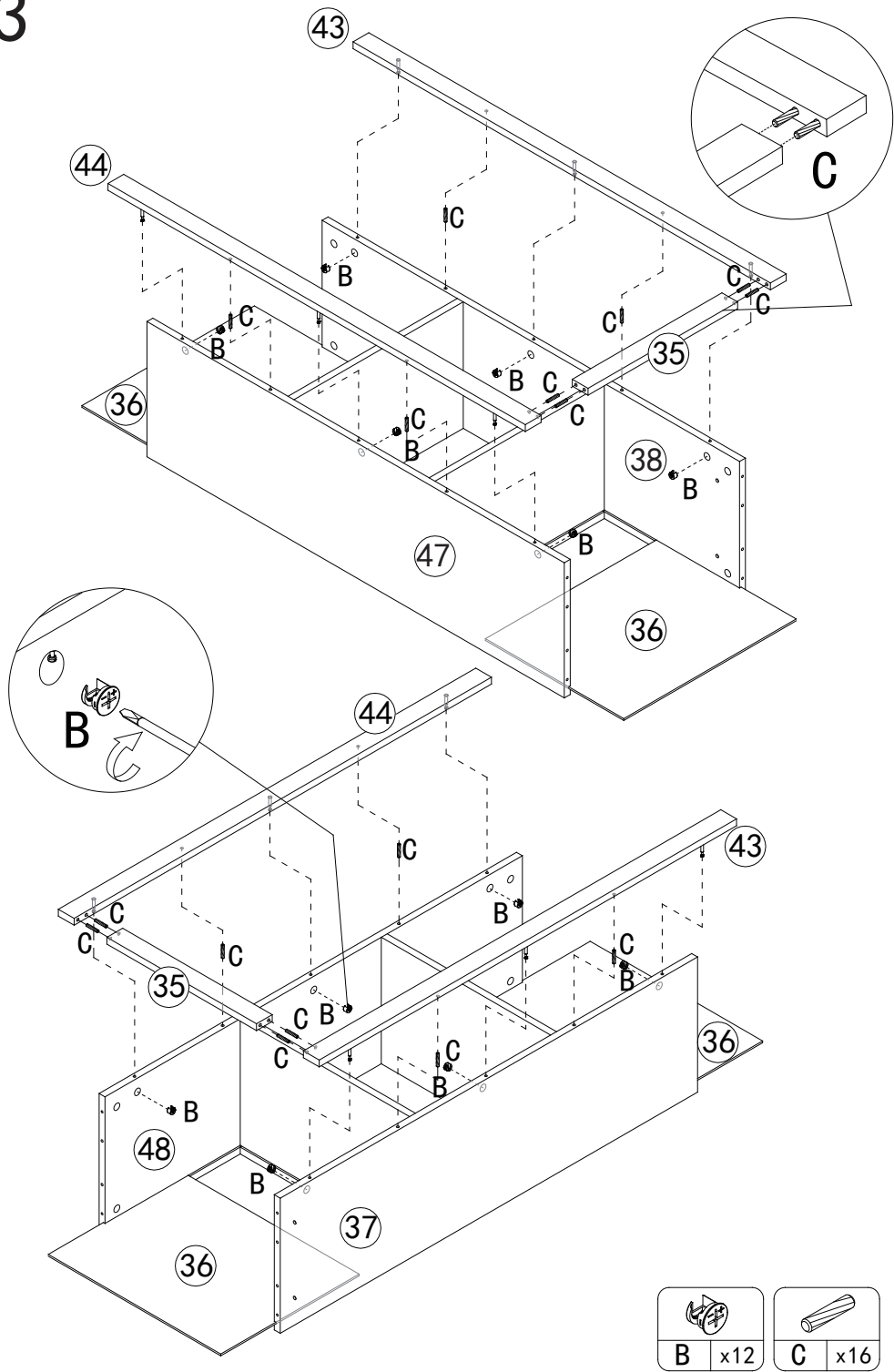


11

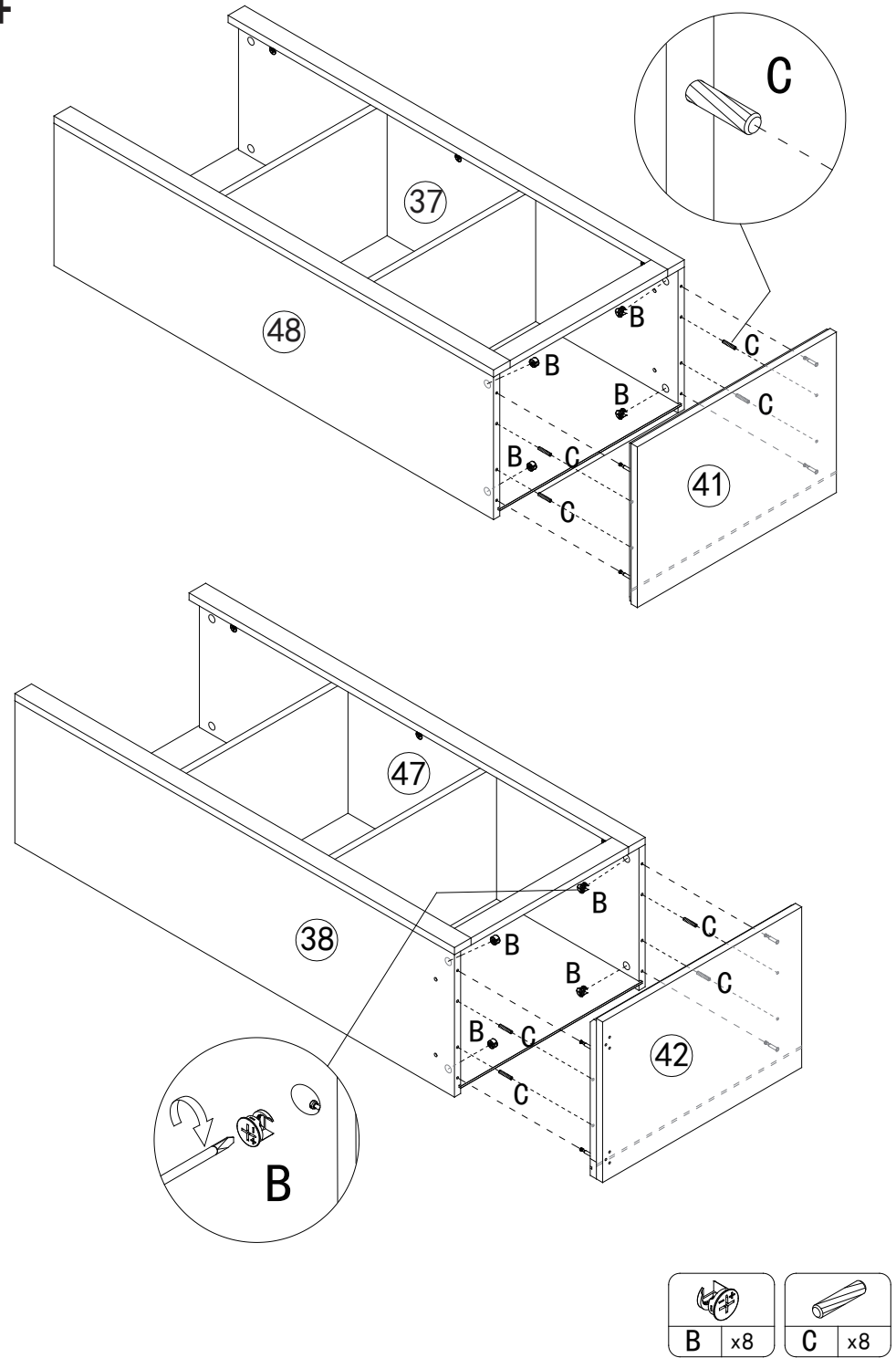




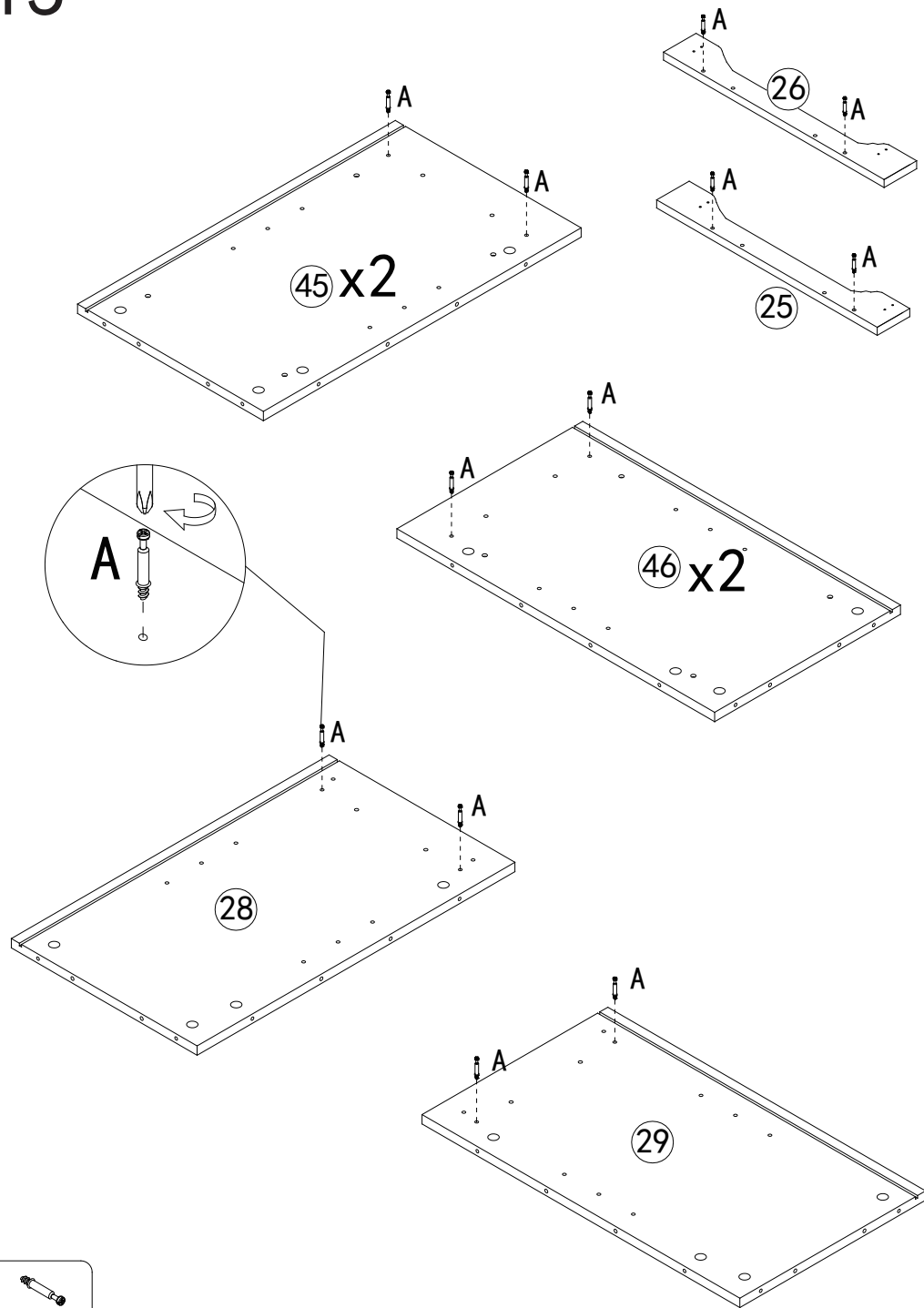
13



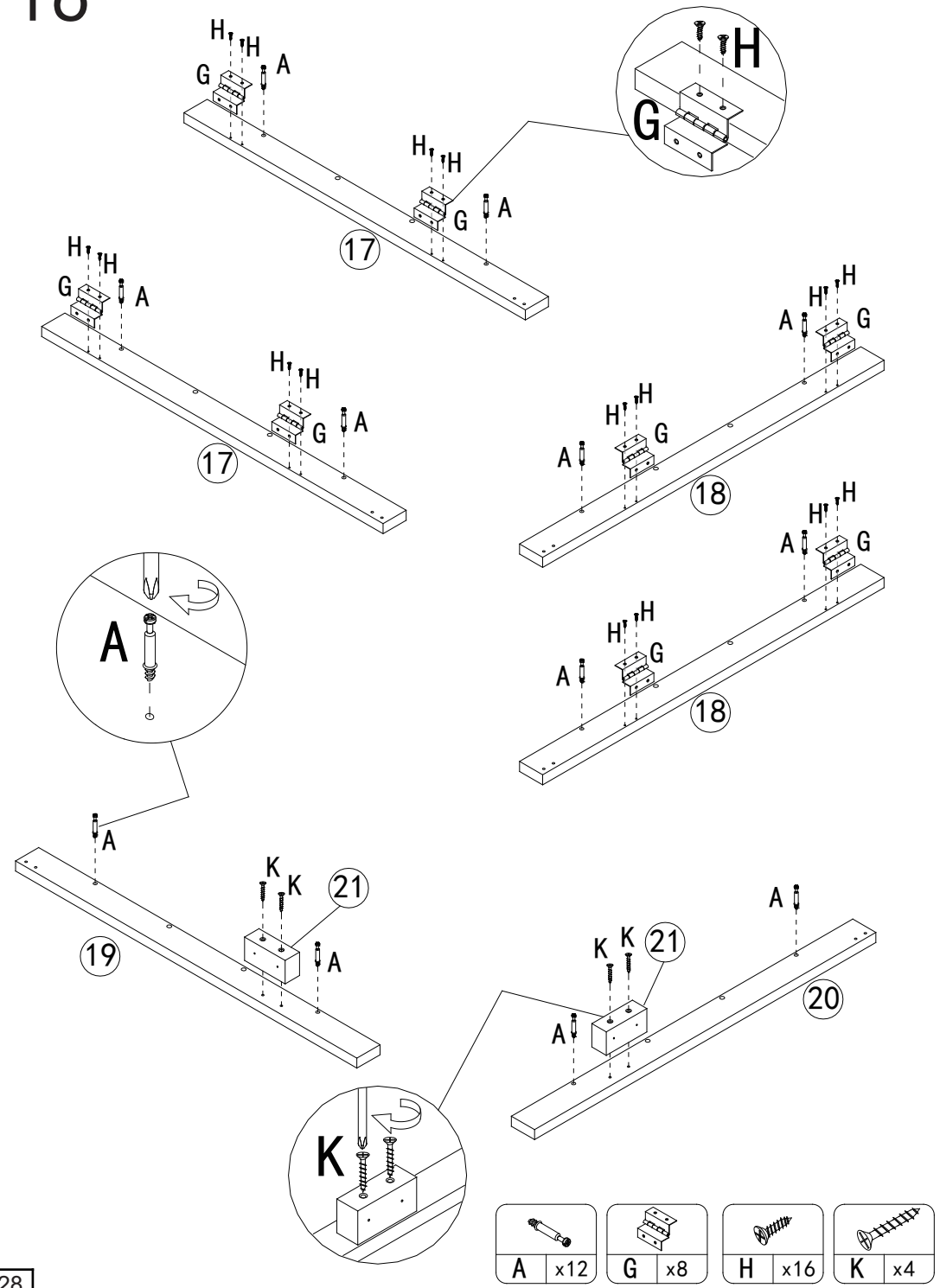
14



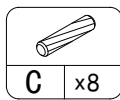
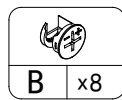
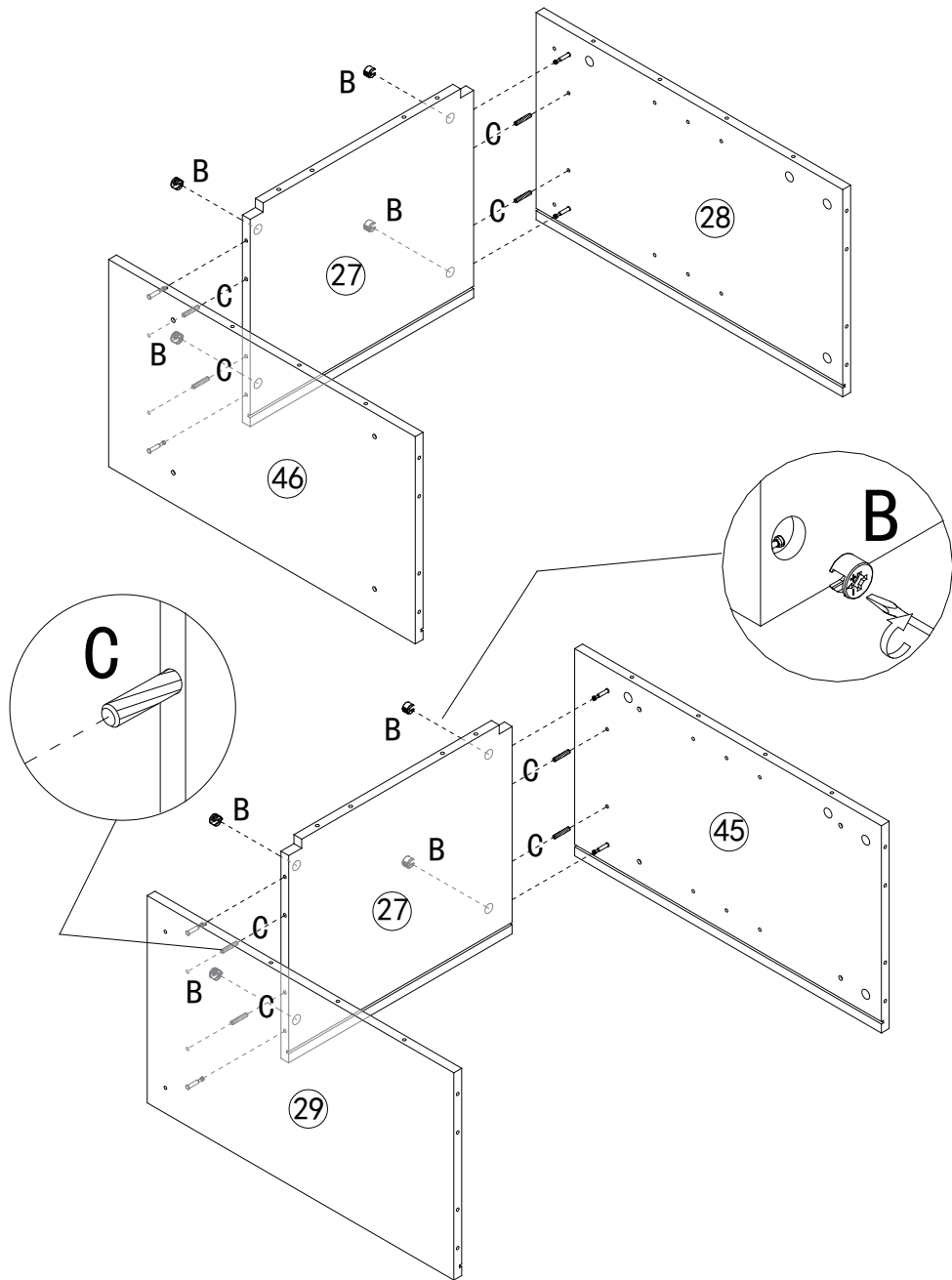
15



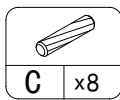
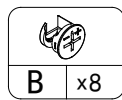
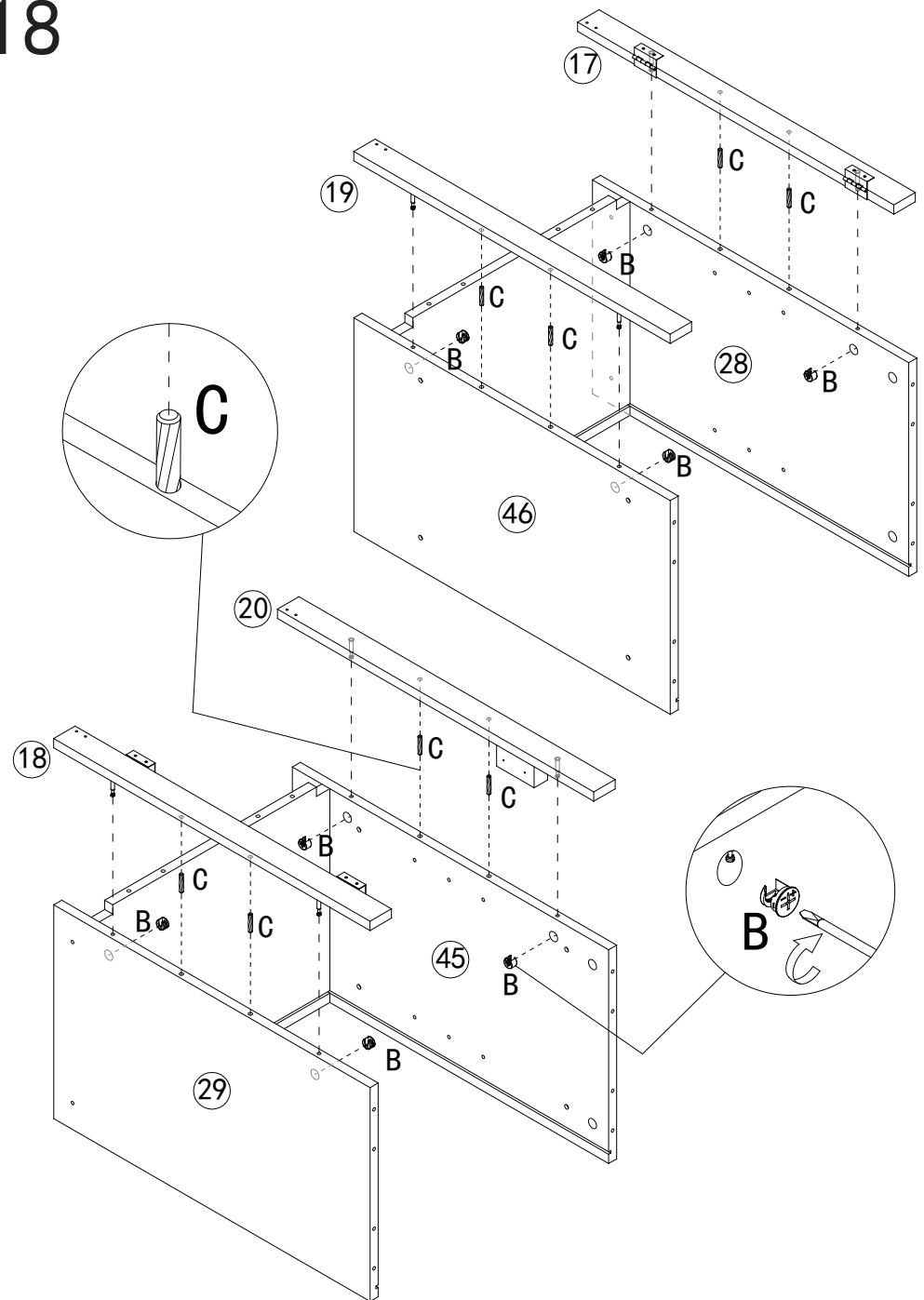
16



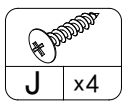
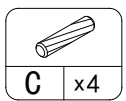
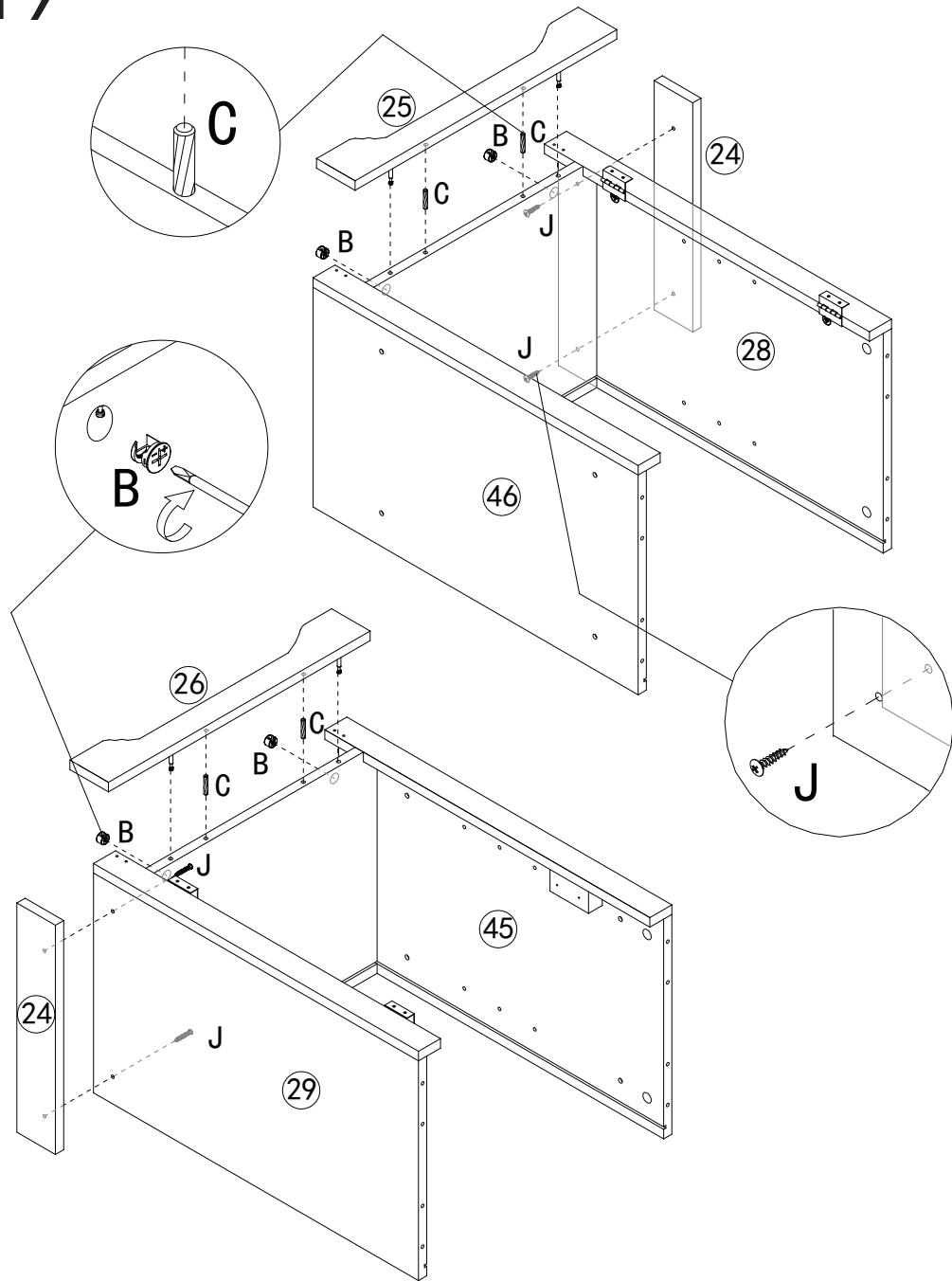
17



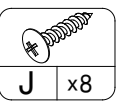
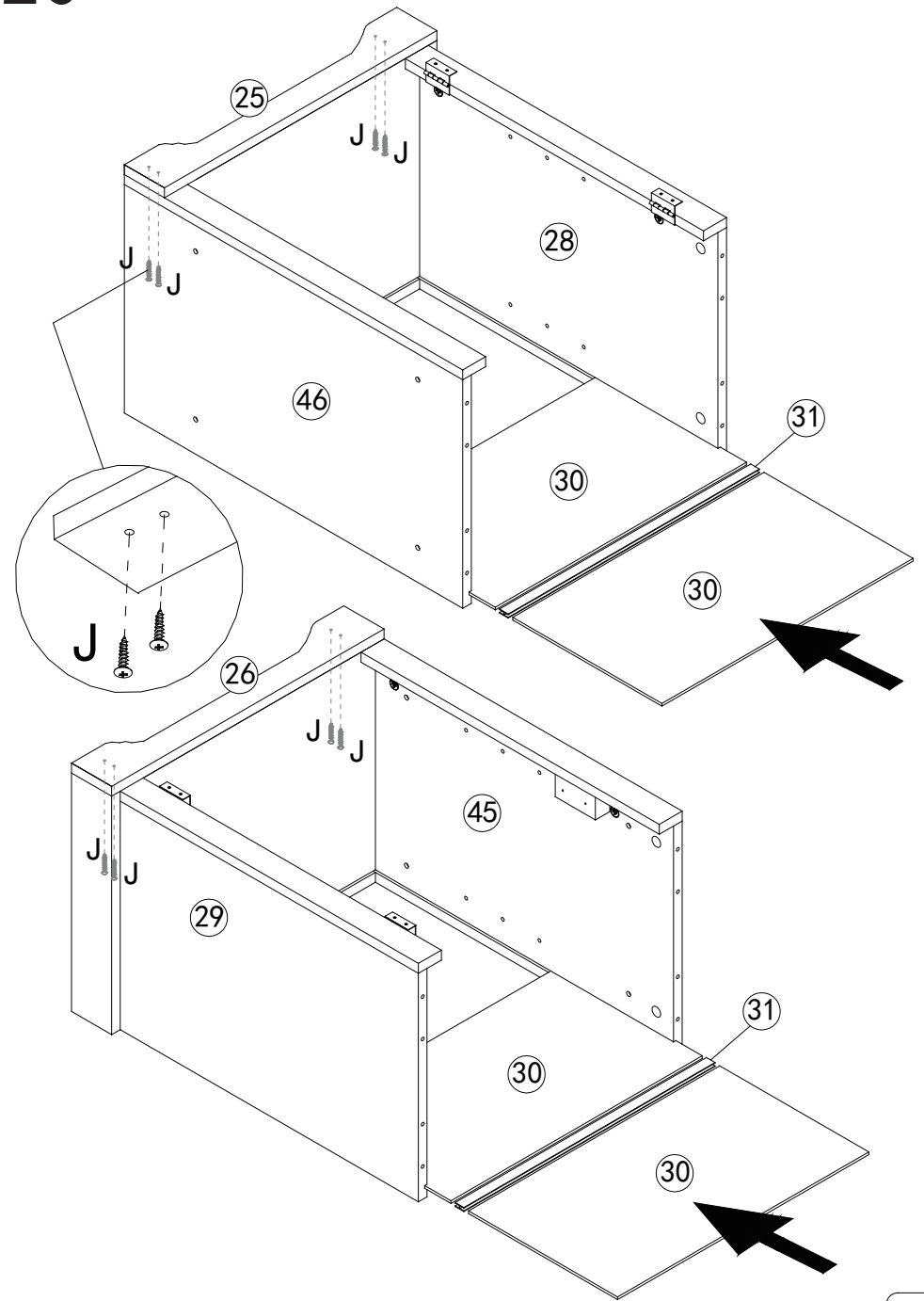
18



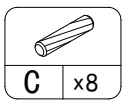
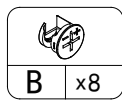
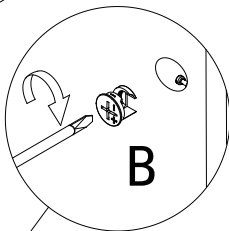
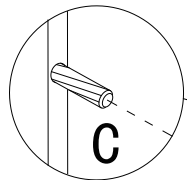
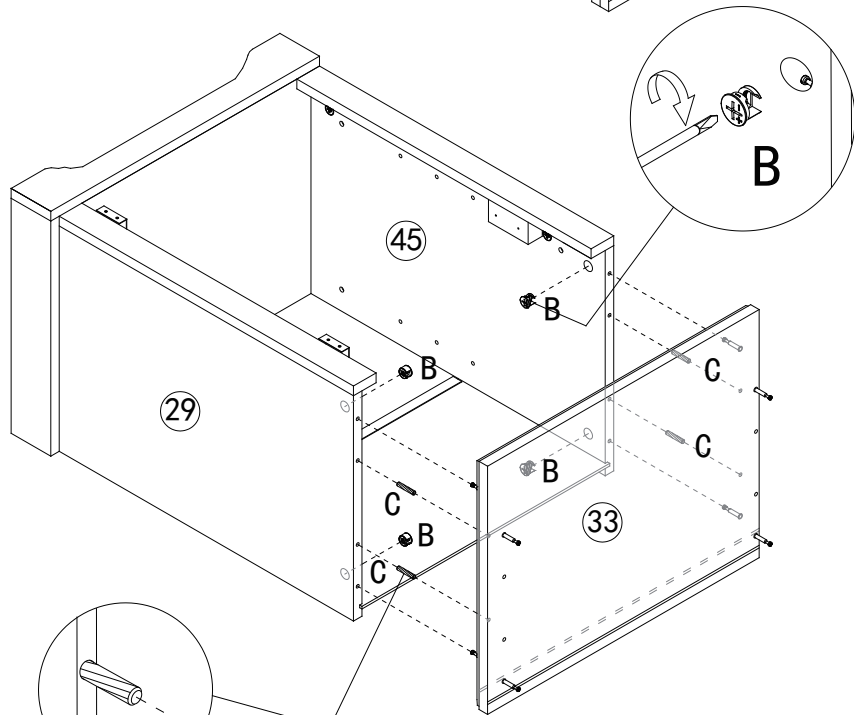
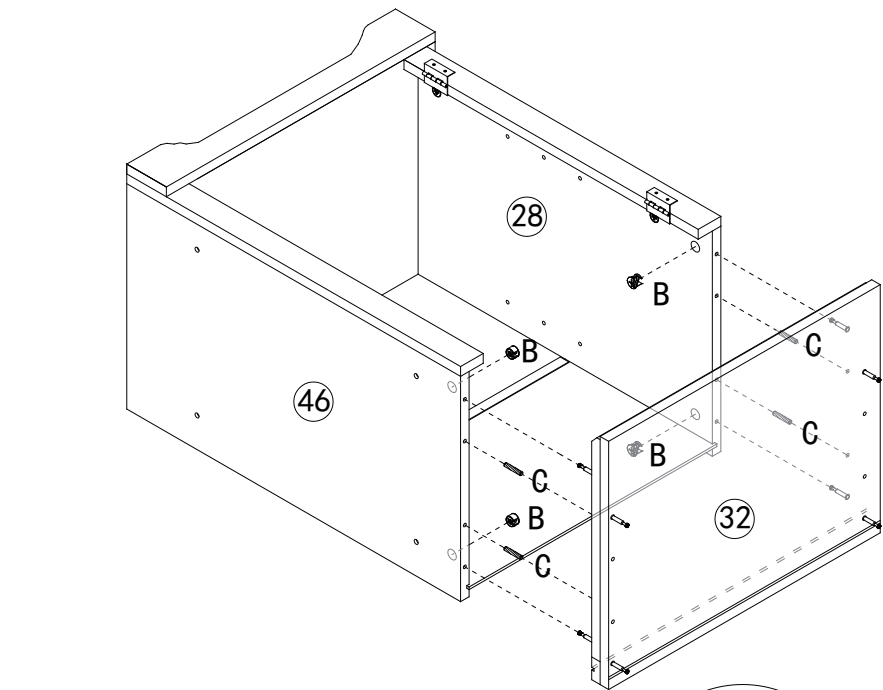
19



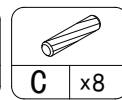
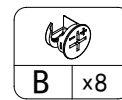
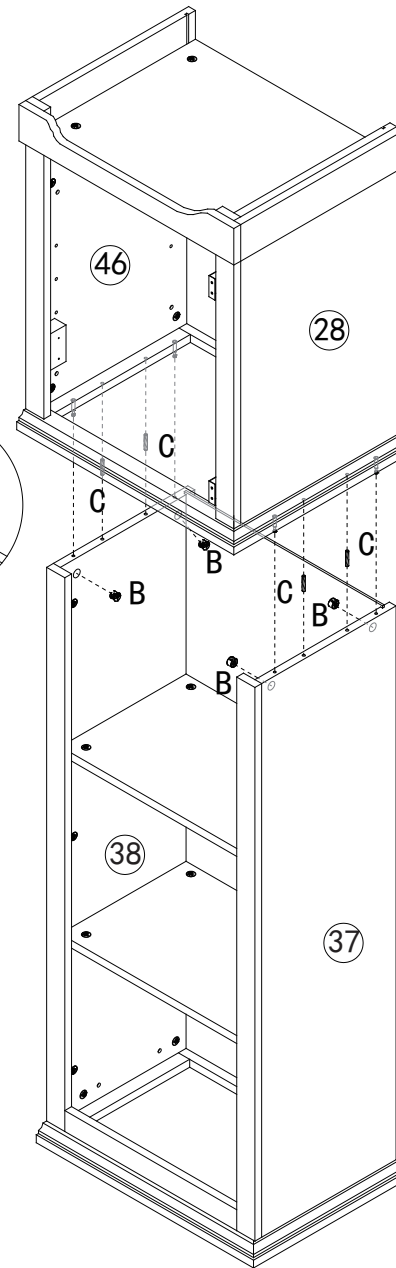
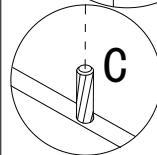
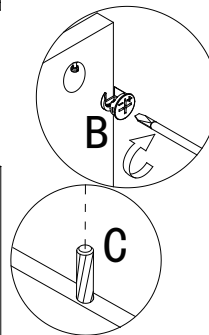
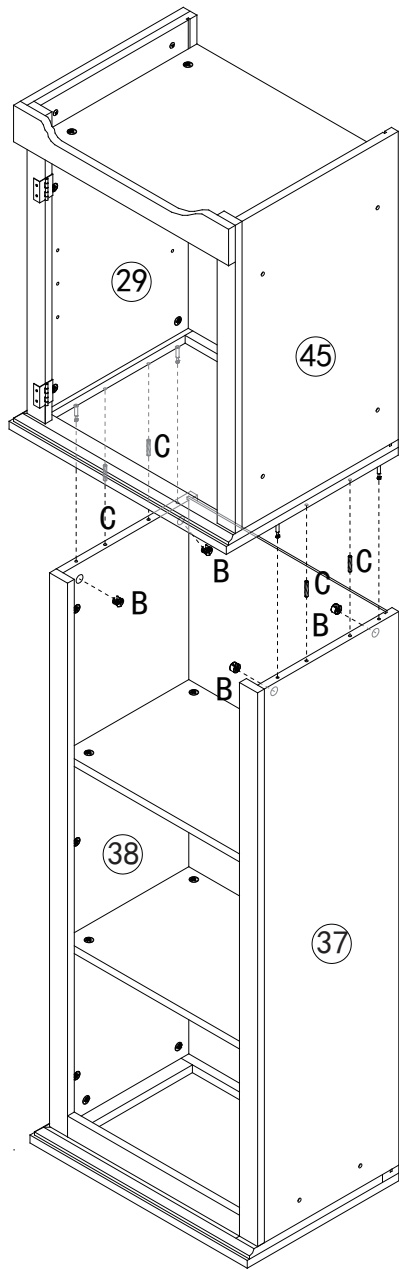
20



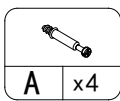
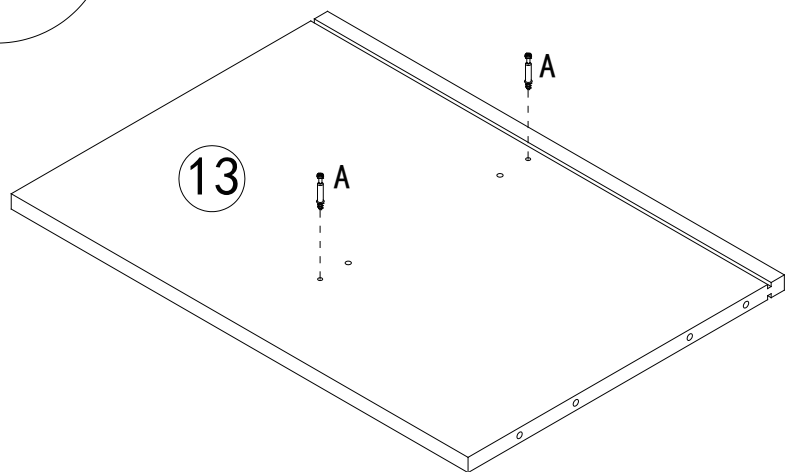
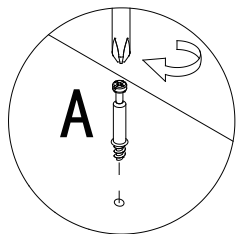
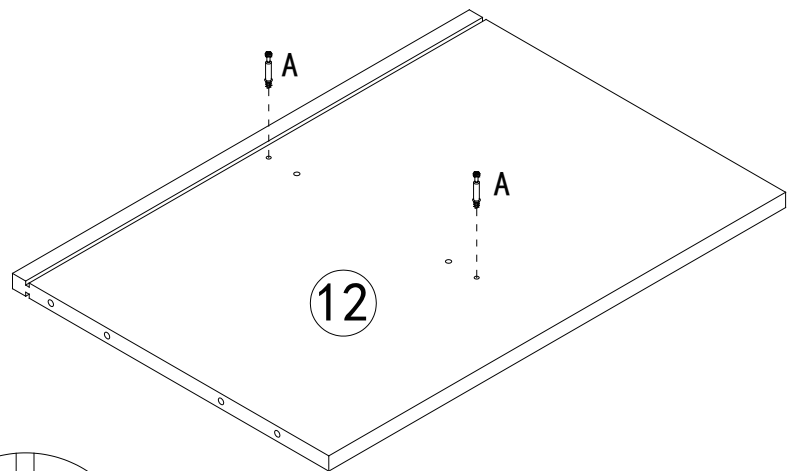
21



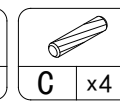
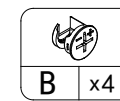
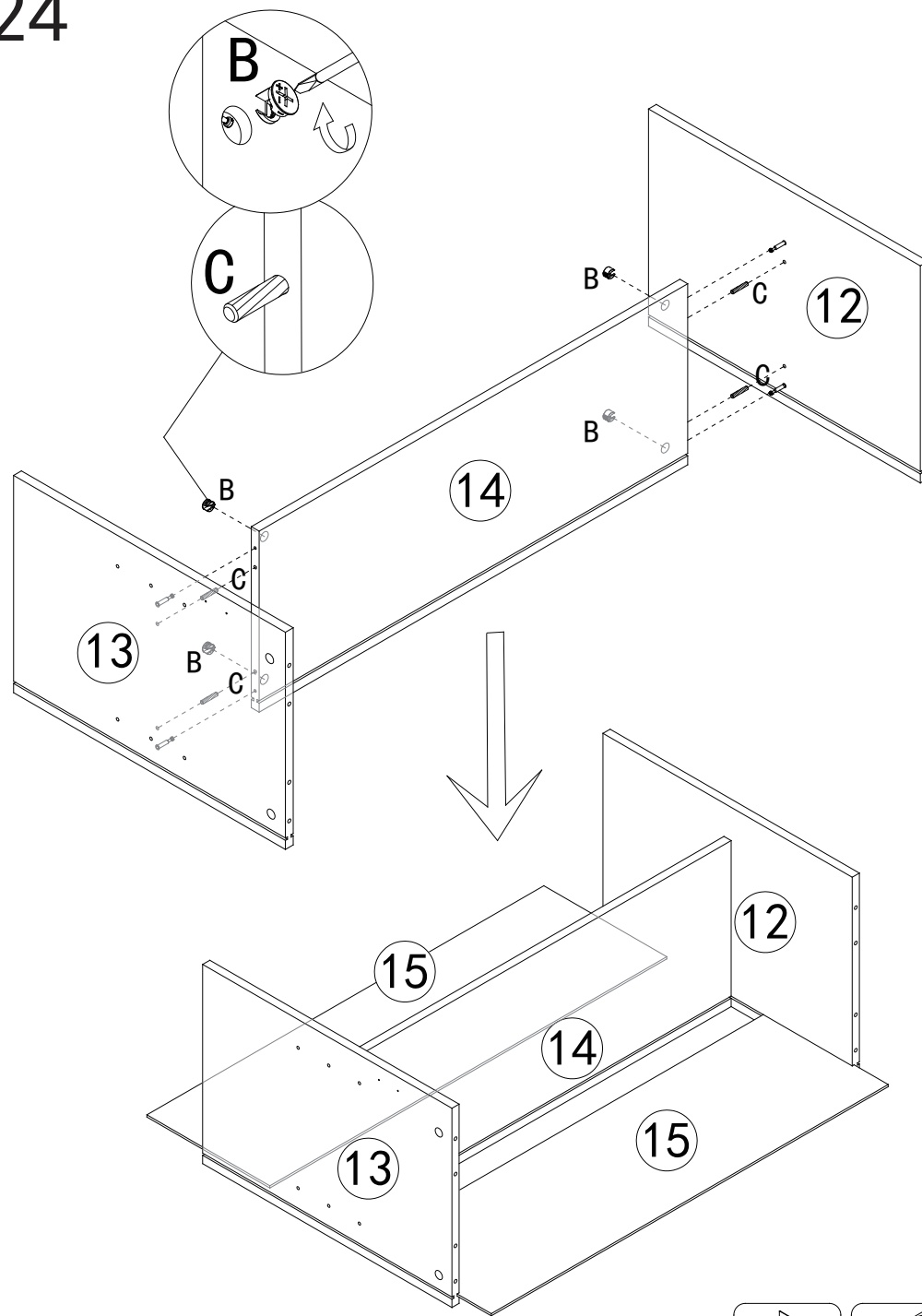
22



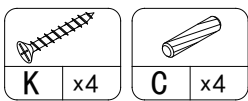
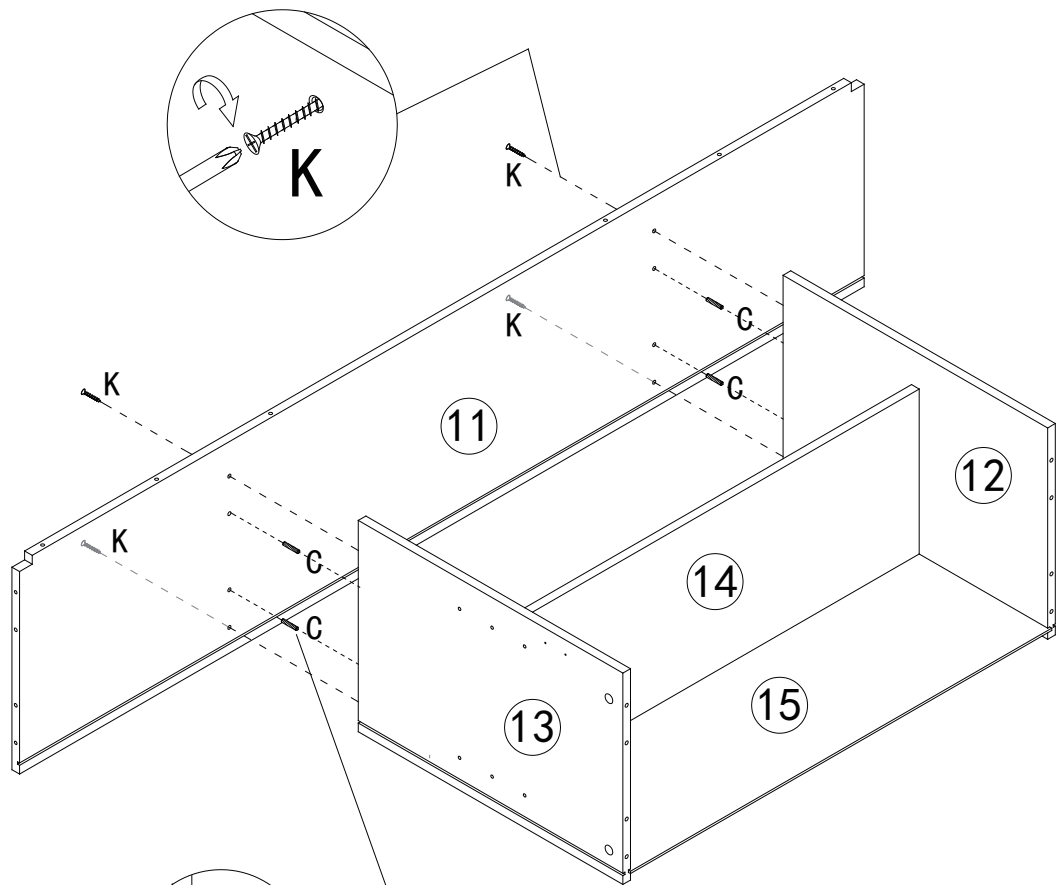
23



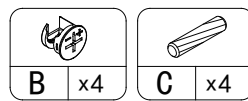
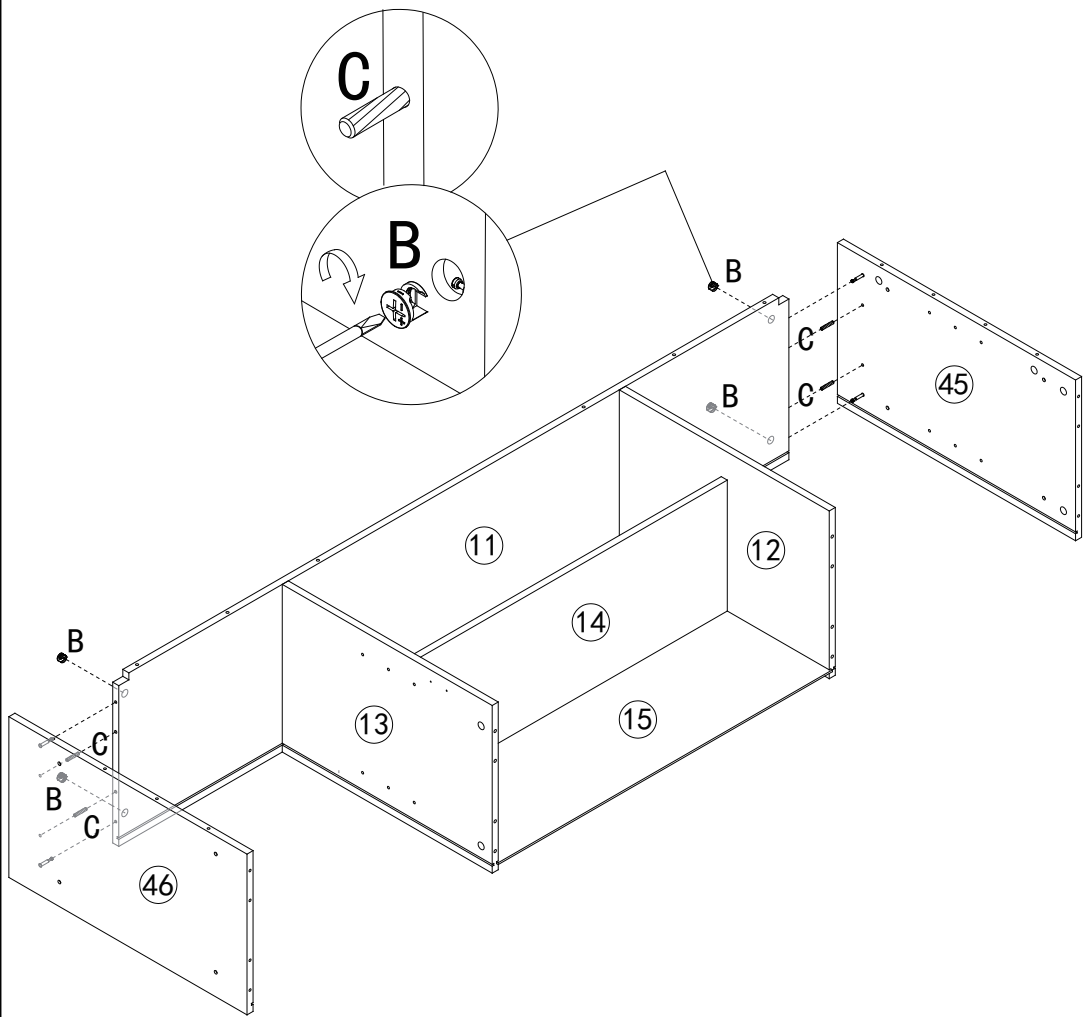
24



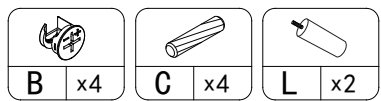
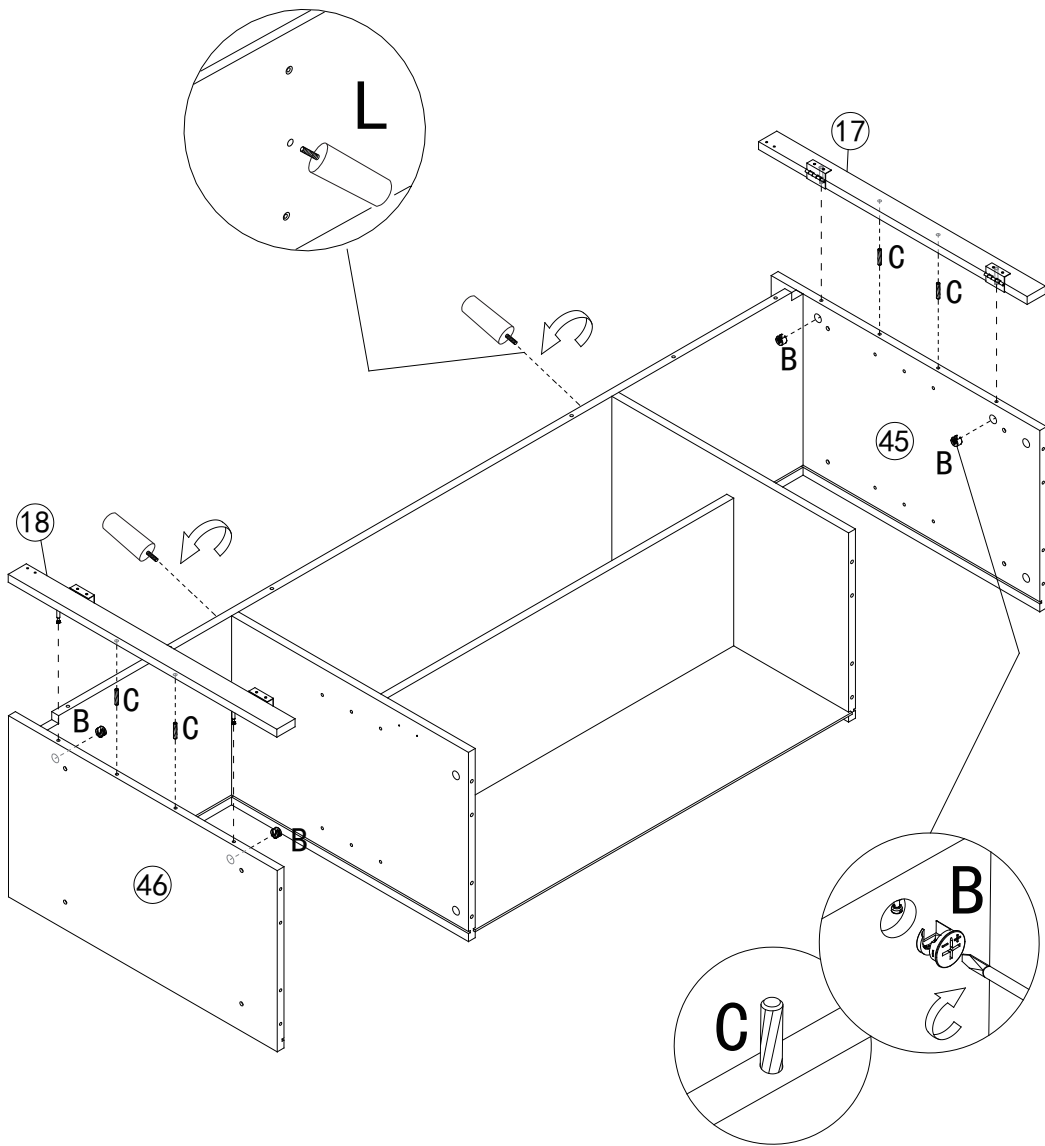
25



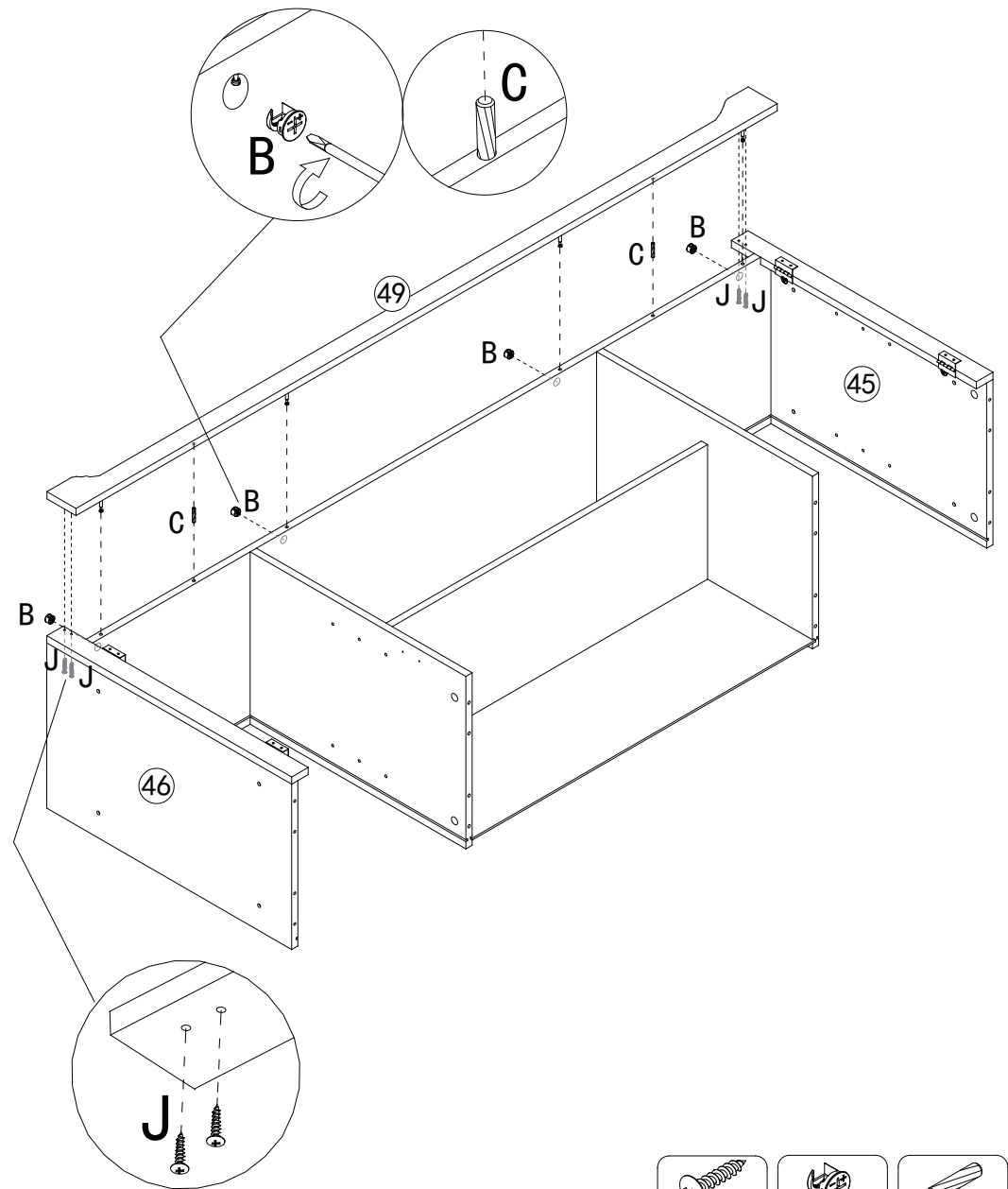
26



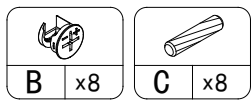
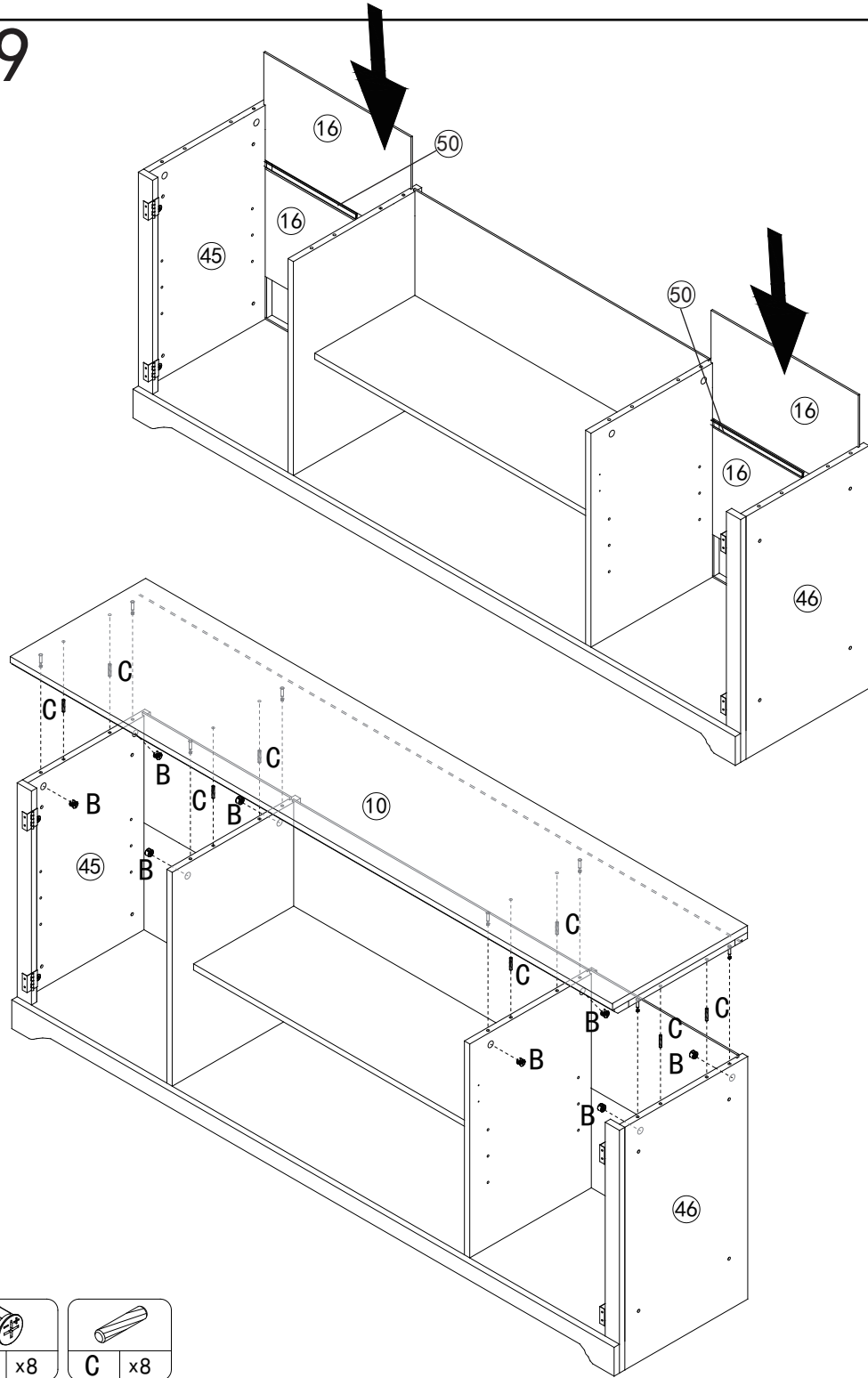
27



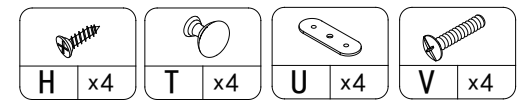
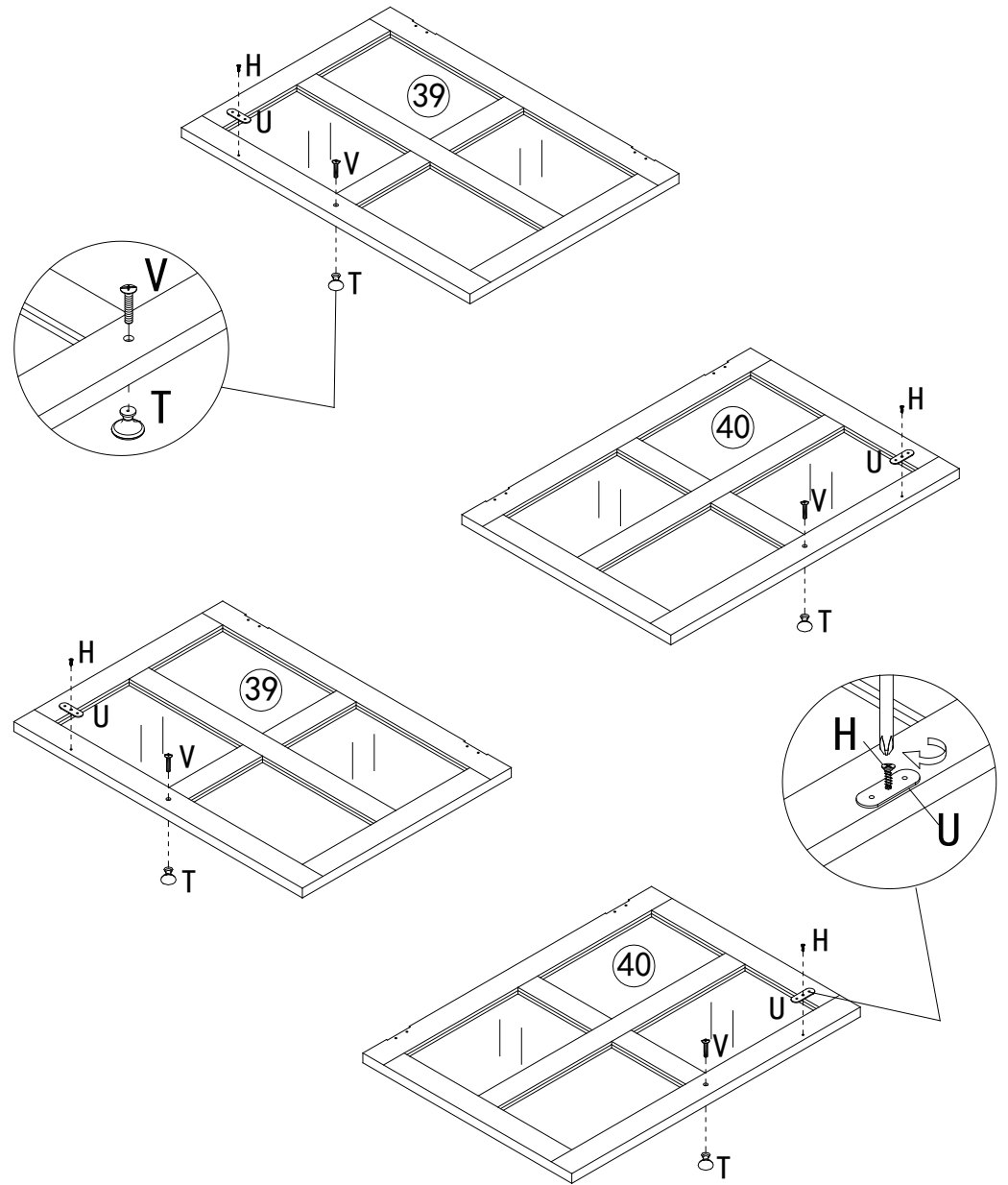
28

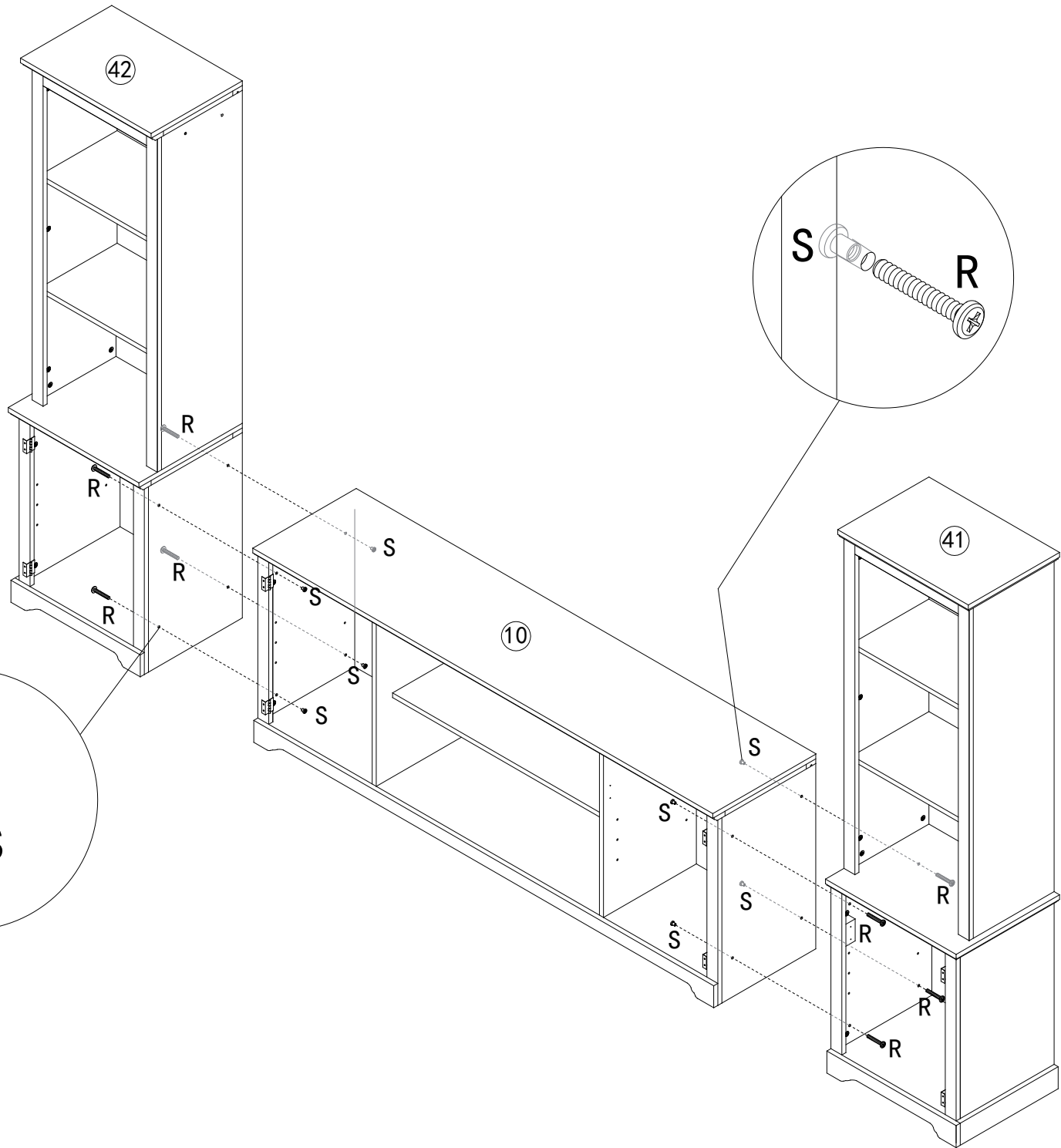




29

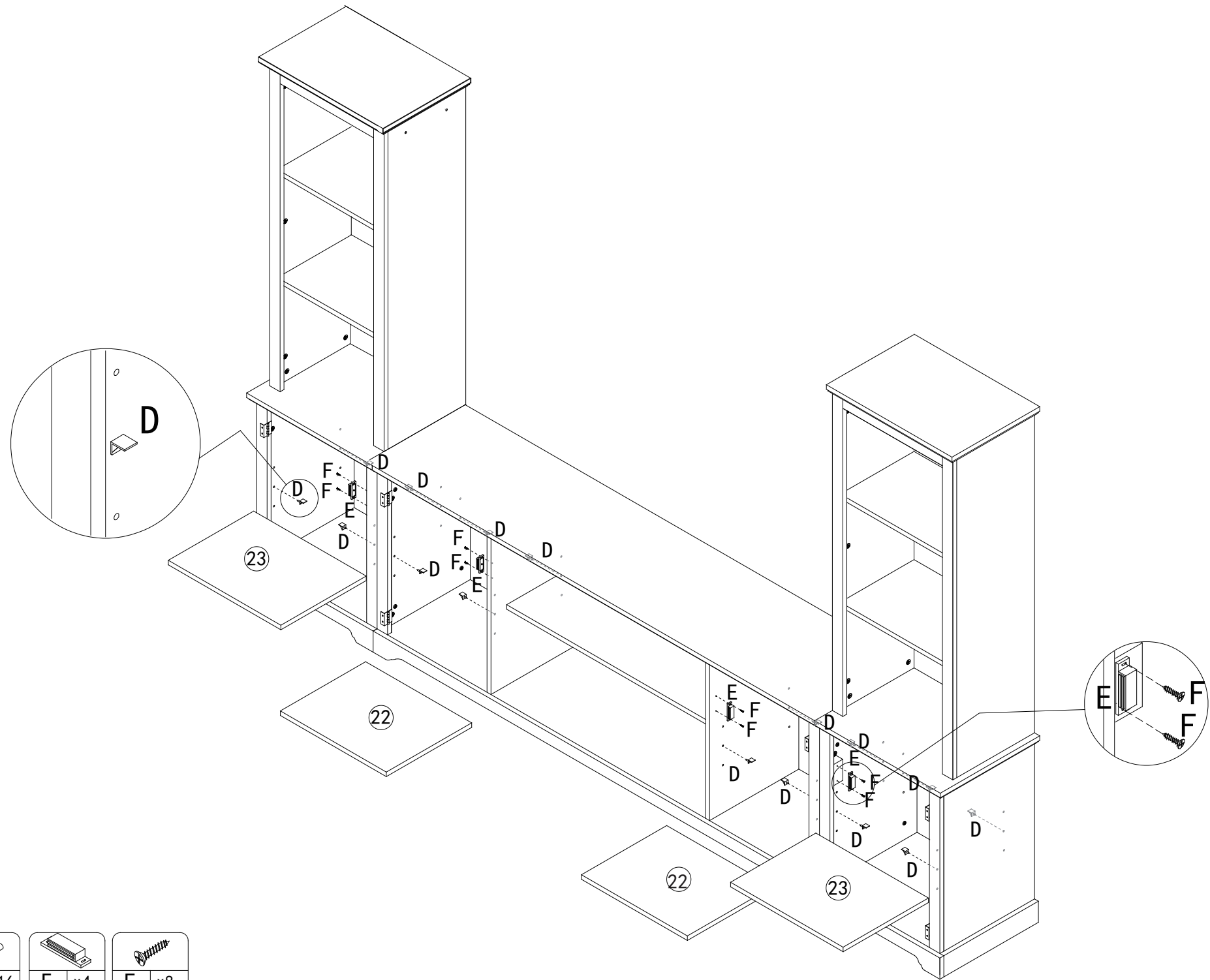


30

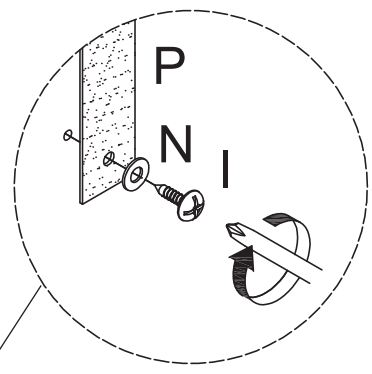
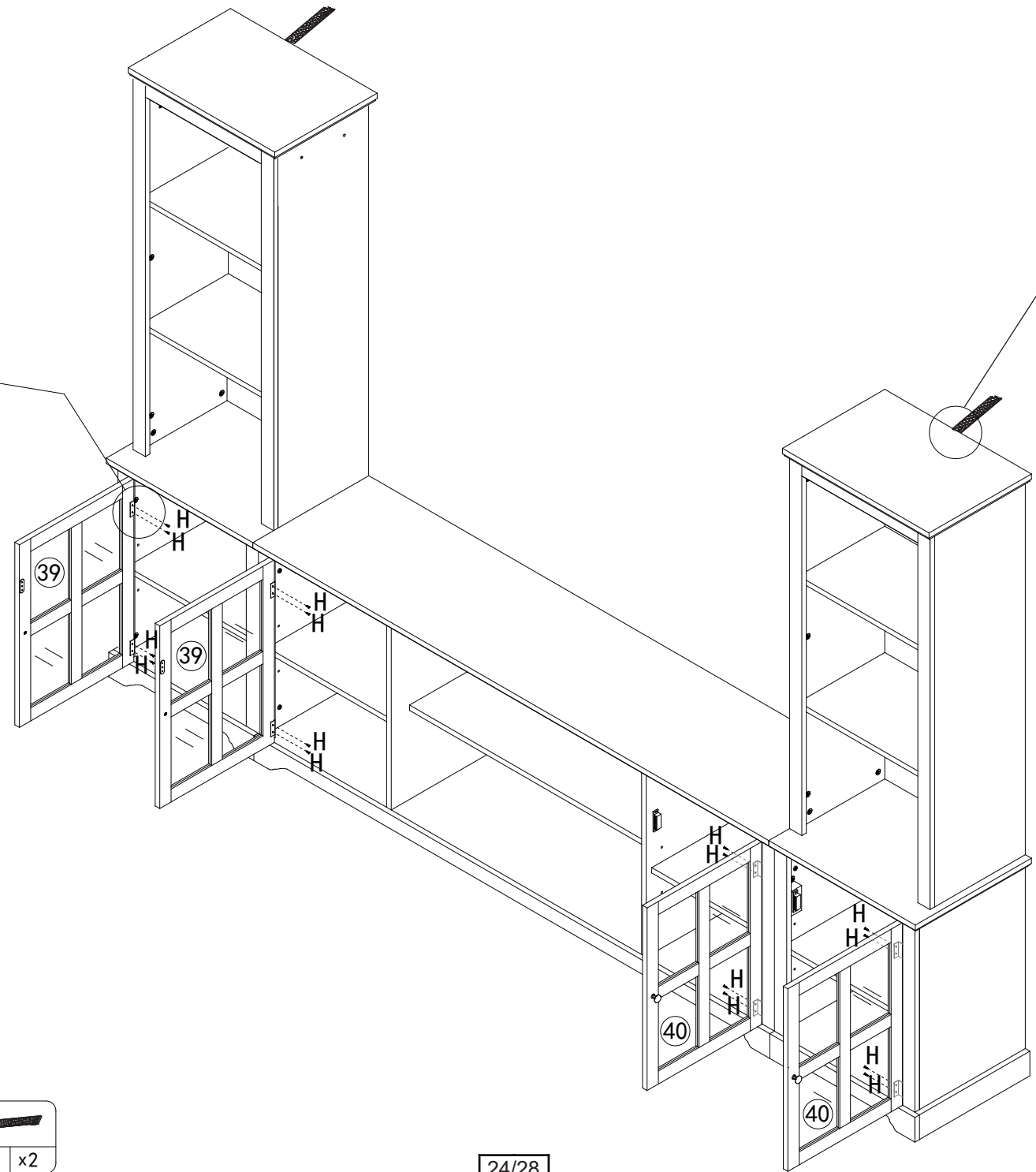
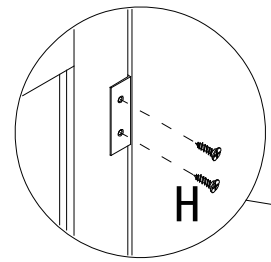








- | | |
|--|---|
|  |  |
| R x8 | S x8 |



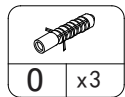
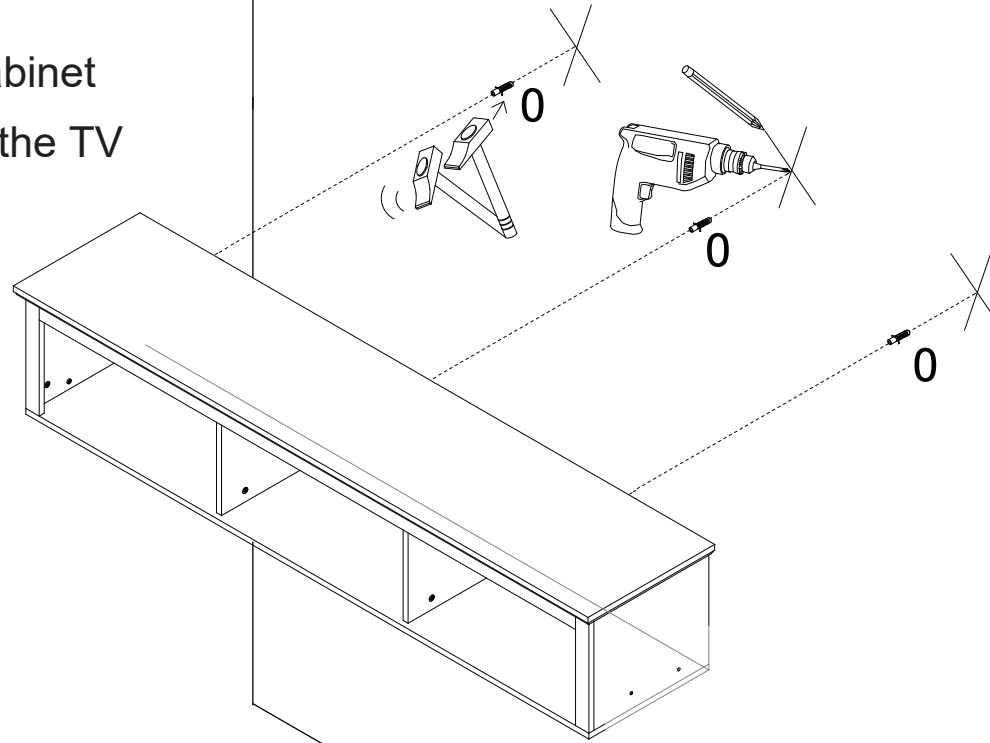
- | | | |
|-------|------|------|
| | | |
| D x16 | E x4 | F x8 |

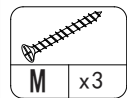
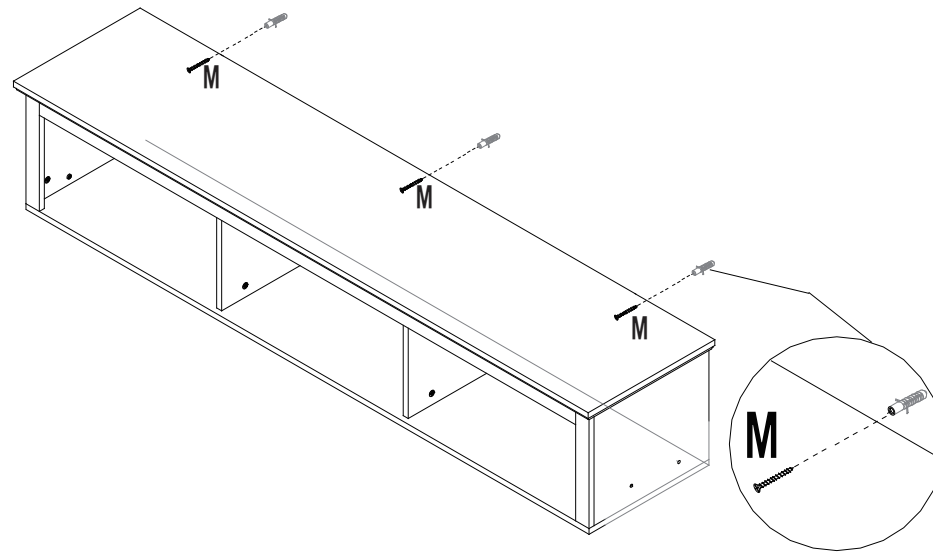


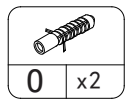
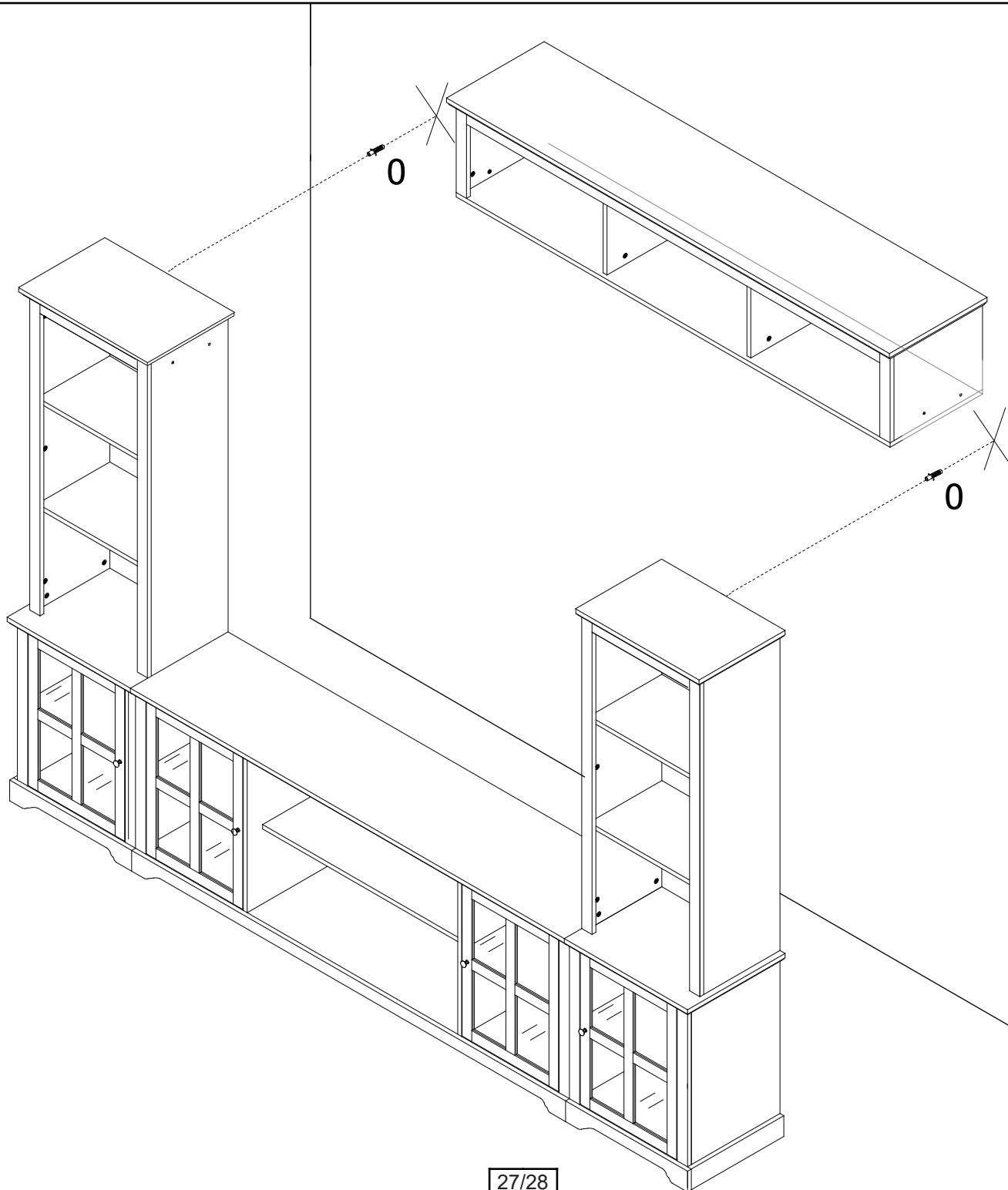
- | | | | |
|--|---|---|---|
|  |  |  |  |
| H x16 | I x2 | N x2 | P x2 |

34

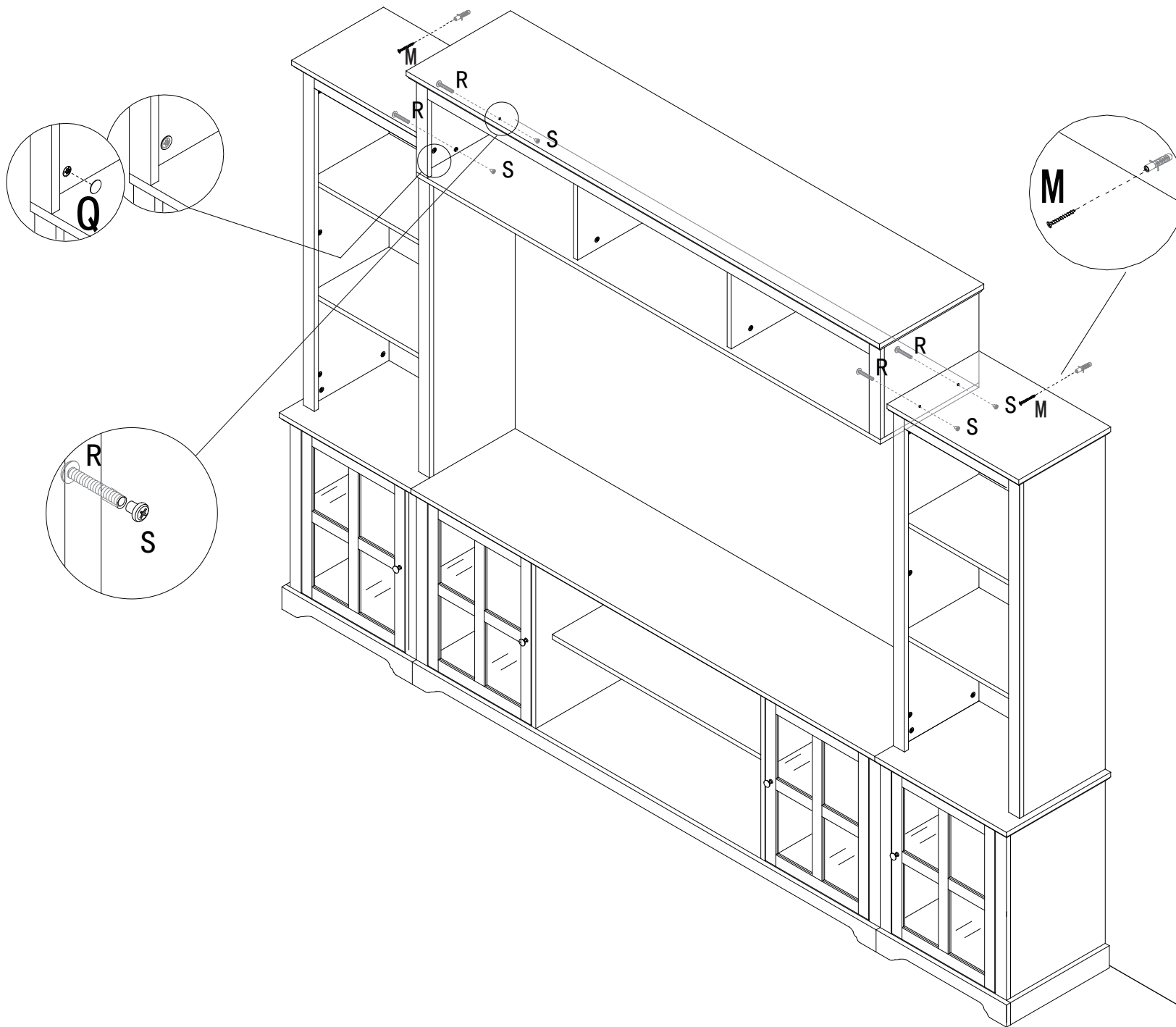
Please install the wall cabinet according to the height of the TV







37



DONE

