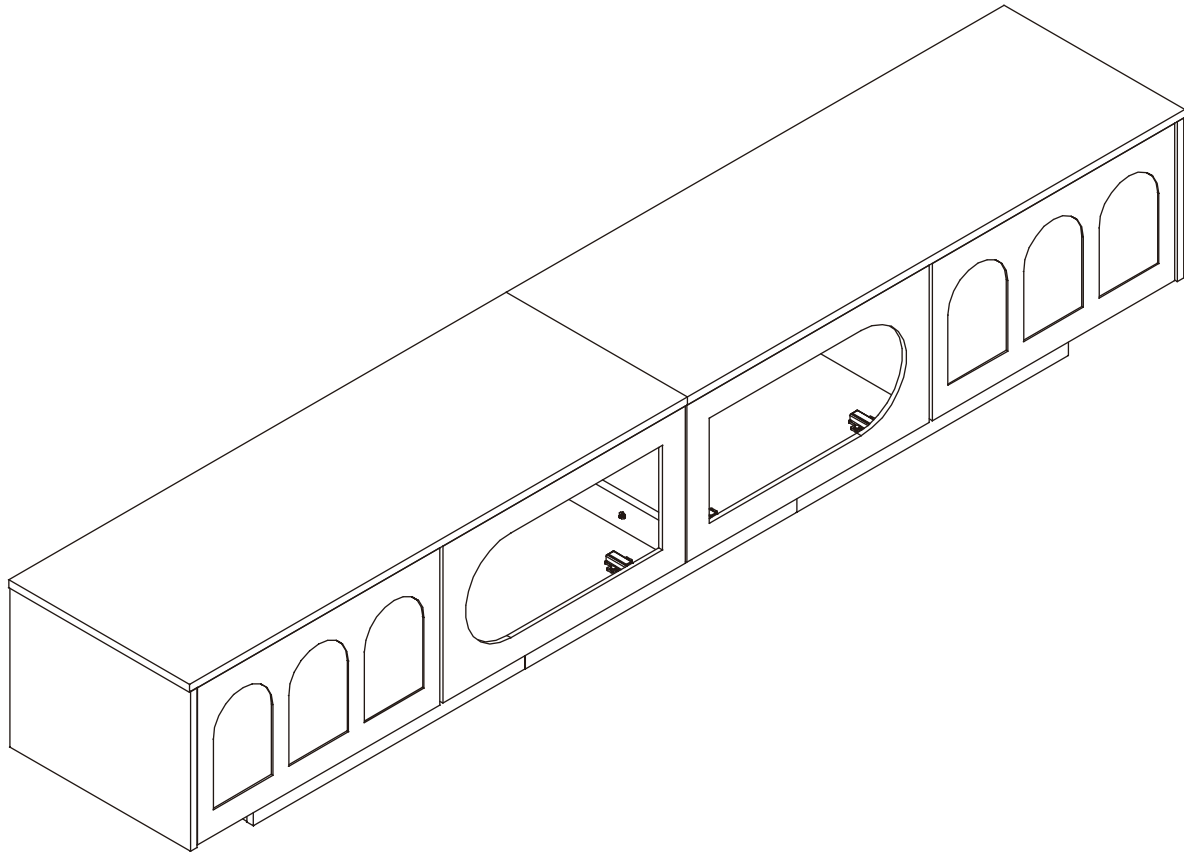


# TV Cabinet

Assembly Instructions - Please keep for future reference



## Dimensions

Width-86.61inch

Depth-15.75inch

Height-15.75inch

**Important – Please read these instructions fully before starting assembly**



# Safety and Care Advice

**Important – Please read these instructions fully before starting assembly**

- Check you have all the components and tools listed on the following pages.
- Remove all fittings from the plastic bags and separate them into their groups.
- Keep children and animals away from the work area, small parts could choke if swallowed.
- Make sure you have enough space to layout the parts before starting.

- During assembly do not stand or put weight on the product, this could cause damage.
- Assemble the item as close to its final position (in the same room) as possible.
- Assemble on a soft level surface to avoid damaging the unit or your floor.
- Parts of the assembly will be easier with 2 people.



power drill is set on a low torque setting.

- To reduce the likelihood of damaging your product please ensure that your

## Care and maintenance

- Only clean using a damp cloth and mild detergent, do not use bleach or abrasive cleaners.
- From time to time check that there are no loose screws on this unit.
- This product should not be discarded with household waste. Take to your local authority waste disposal centre.

## Handy Hints

- Assemble all parts and bolts loosely during assembly, only once the product is complete should you fully tighten the bolts
- Regularly check and ensure That all bolts and fittings are tightend properly.

## **WARNING** In order to help prevent overturning – please follow these instructions

To help prevent product toppling over please follow the below steps:-

- Use the anti tip stap or wall fixing method provided (if applicable)
- Do not allow children to climb or hang on the furniture
- Do not open more than one drawer at a time
- Do not place heavy items in the top drawers
- Do not place heavy items on top of the furniture, unless the furniture has been designed for this purpose

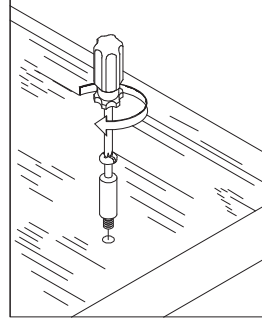
# Using Camlocks

## Step 1

Connect the male camlock as directed in the assembly instructions using a screwdriver.

1

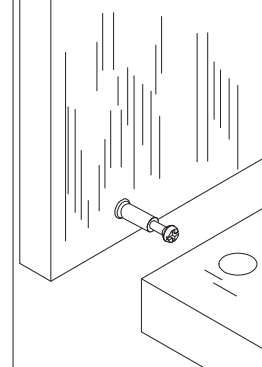
DO NOT OVER TIGHTEN.  
NE PAS SERRER EXCESSIVEMENT.



## Step 2

Push the male camlock into the entry hole.

2

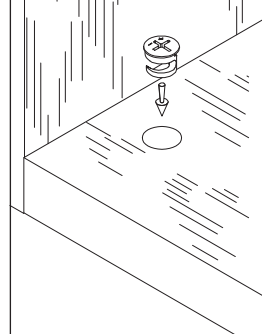


## Step 3

Insert the female camlock as shown in the instruction.

Note: ensure that the arrow on the top of the camlock points towards the entry hole for the male camlock.

3



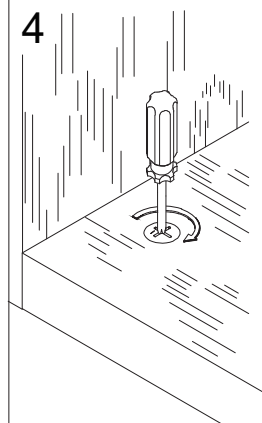
## Step 4

Turn the female camlock clockwise with a screwdriver.

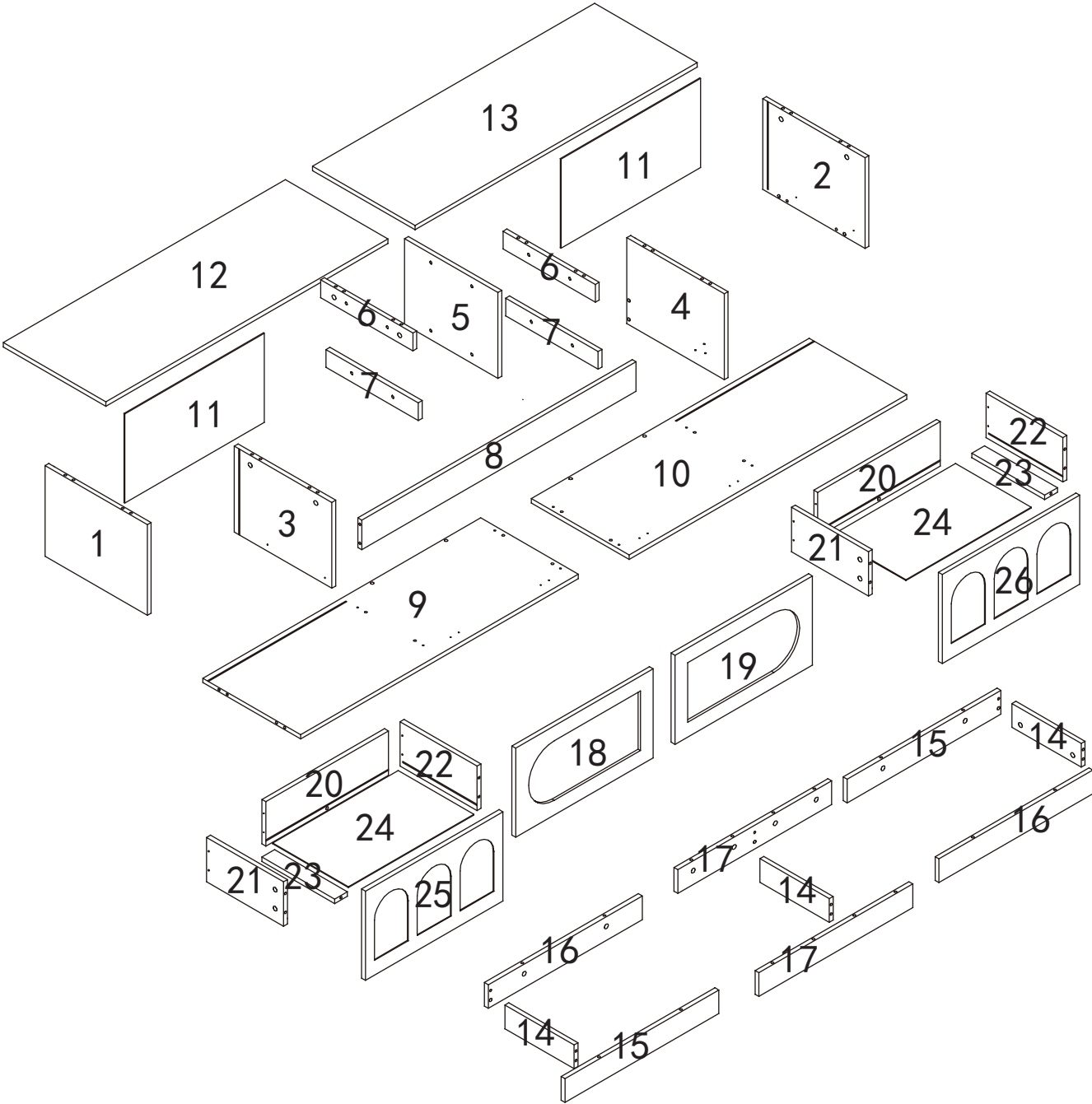
You should feel a click when the camlock is locked in place.

The joint is now secure.

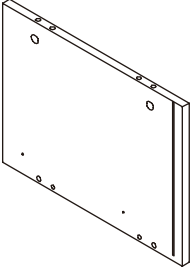
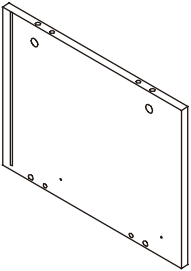
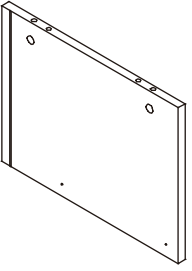
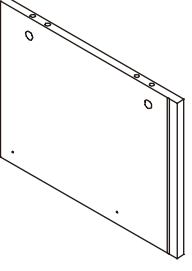
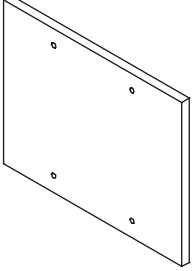
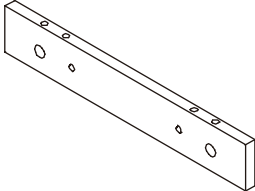
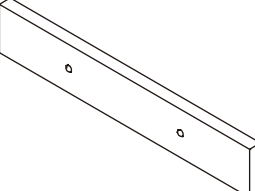

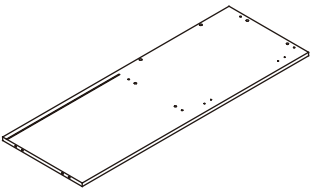
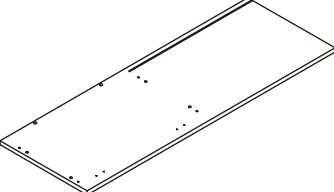
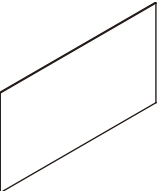
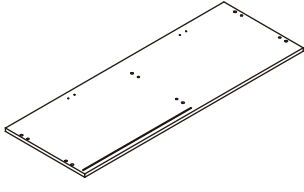
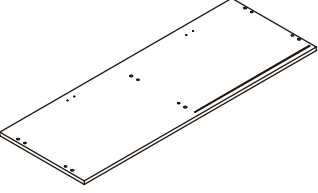
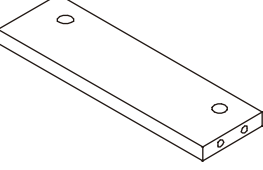
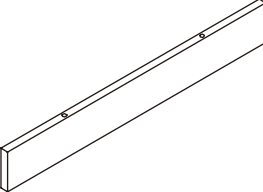
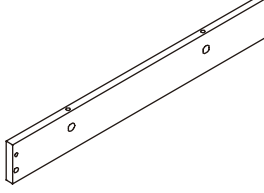
4



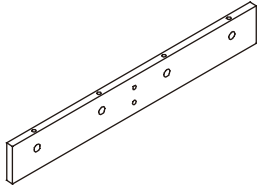
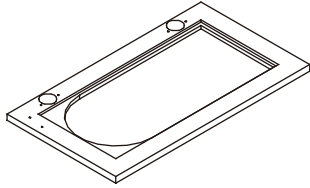
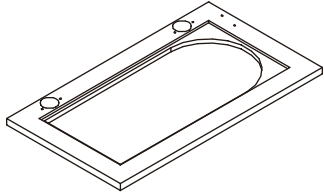
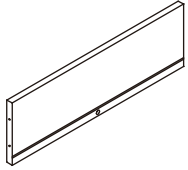
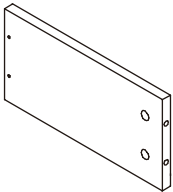
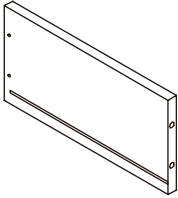
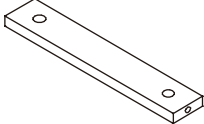
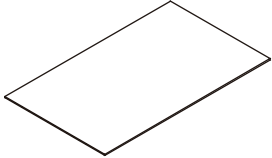
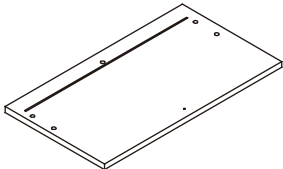
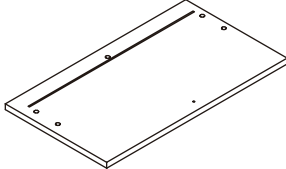
# Assembly Instructions



# Assembly Instructions

			
306x399x15mm	306x399x15mm	290x380x15mm	290x380x15mm
① x 1	② x 1	③ x 1	④ x 1
			
290x364x15mm	360x60x15mm	360x60x15mm	1070x100x15mm
⑤ x 1	⑥ x 2	⑦ x 2	⑧ x 1
			
1083x381x15mm	1083x381x15mm	544x301x3mm	1100x400x15mm
⑨ x 2	⑩ x 1	⑪ x 2	⑫ x 1
			
1100x400x15mm	270x80x15mm	600x80x15mm	600x80x15mm
⑬ x 1	⑭ x 3	⑮ x 2	⑯ x 2

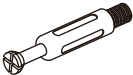

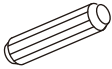

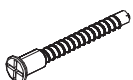
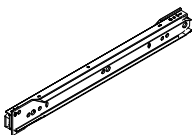
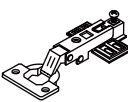
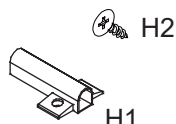

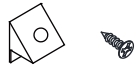

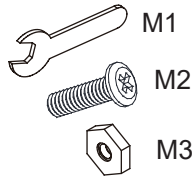

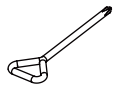
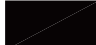

# Assembly Instructions

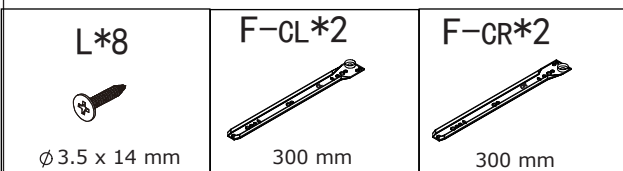
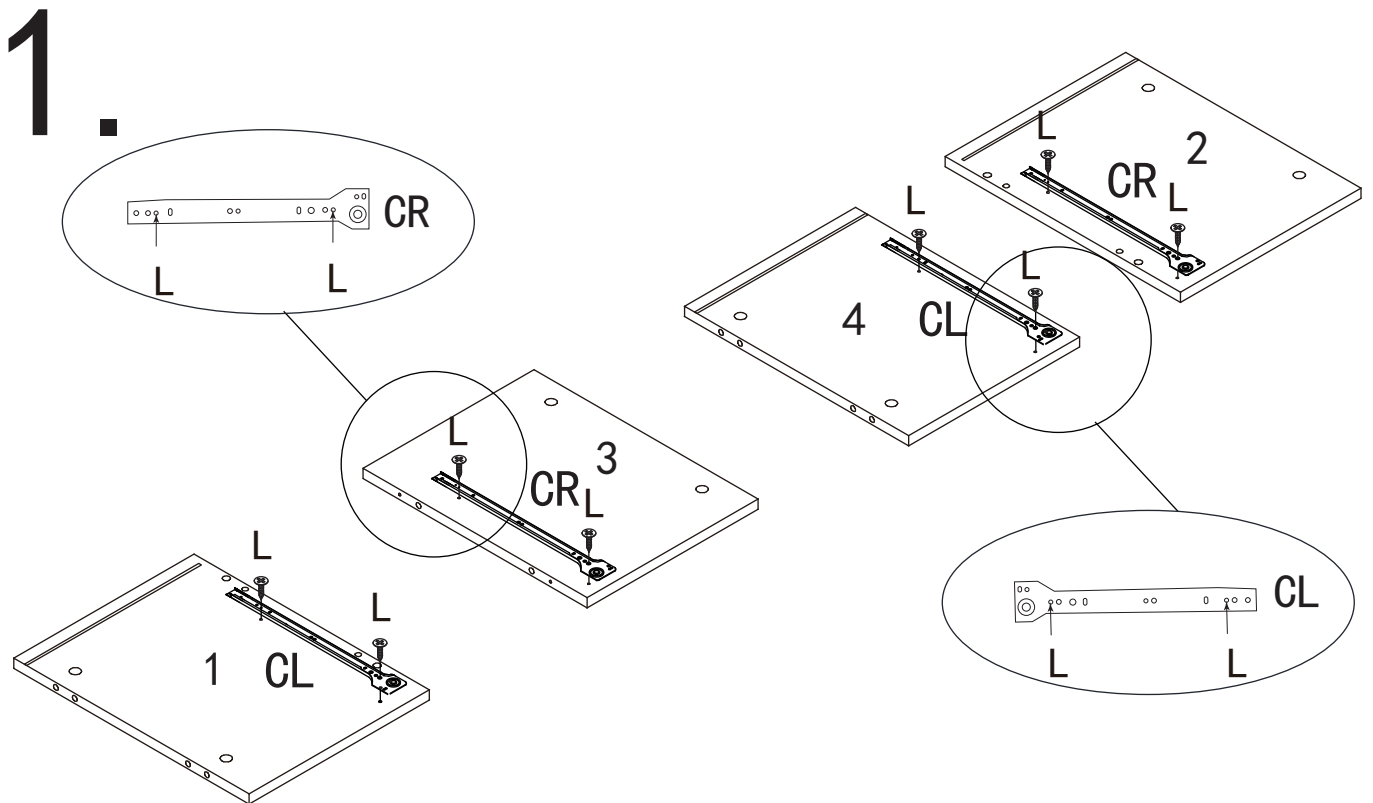
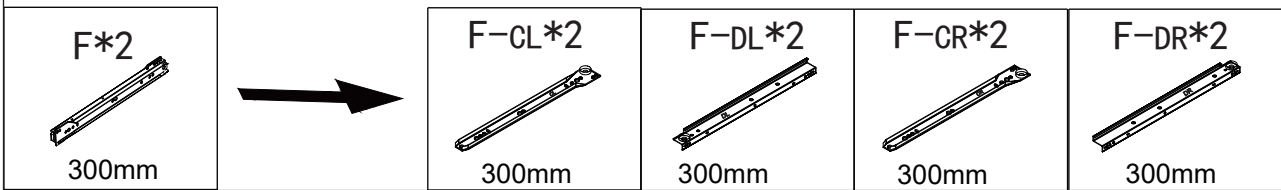
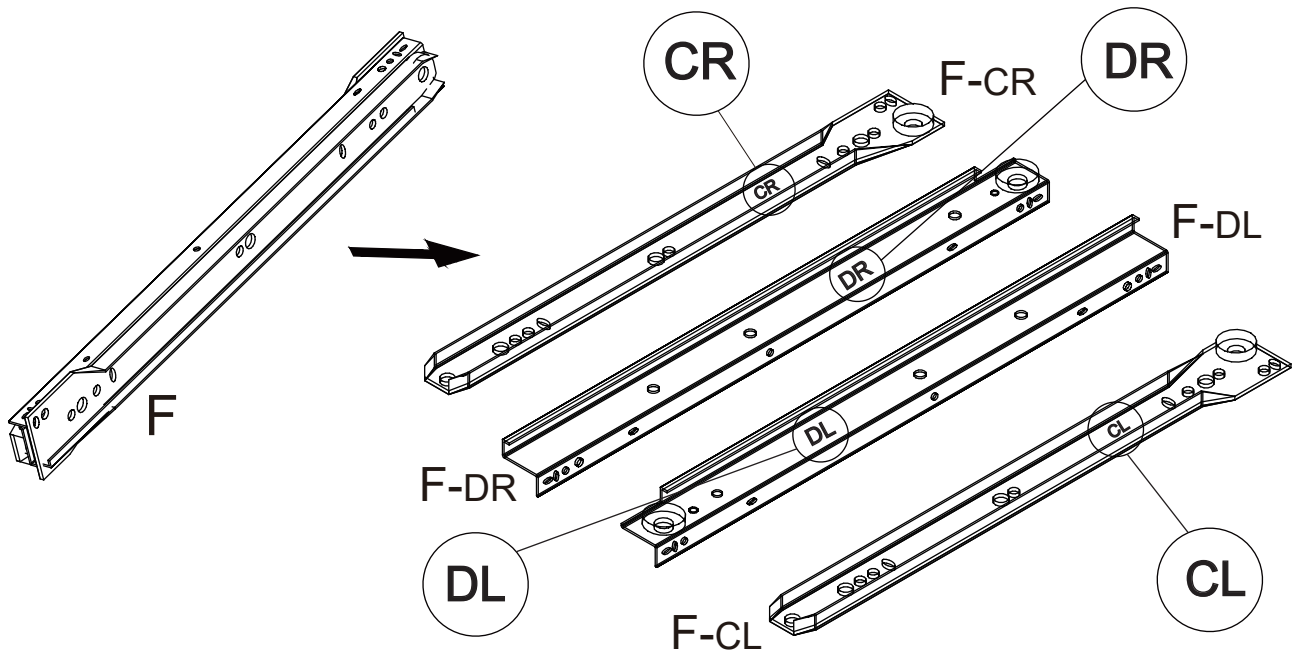
			
600x80x15mm	536x301x15mm	536x301x15mm	478x150x15mm
⑰ x 2	⑱ x 1	⑲ x 1	⑳ x 2
			
300x150x15mm	300x150x15mm	284x50x15mm	489x295x3mm
㉑ x 2	㉒ x 2	㉓ x 2	㉔ x 2
			
536x301x15mm	536x301x15mm		
㉕ x 1	㉖ x 1		

# Components-Fittings

Please check you have all the panels listed below

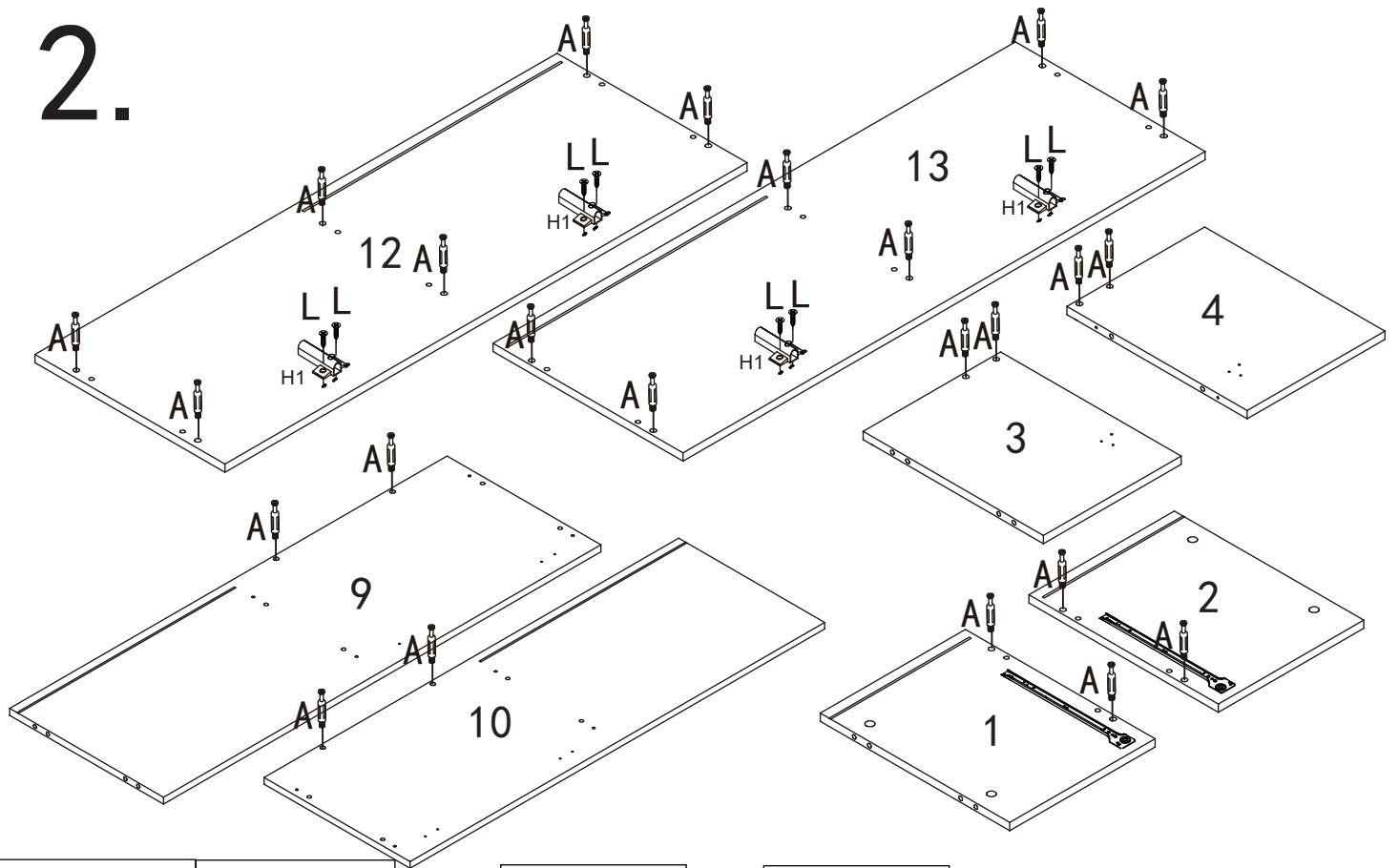
Note: The quantities below are the correct amount to complete the assembly. In some cases more fittings may be supplied than are required.



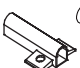

<p>(A)</p>  <p>Cam Bolt x 58+3</p>	<p>(B)</p>  <p>Cam Lock x 58+3</p>	<p>(C)</p>  <p>8*30mm Dowel x 30+2</p>	<p>(D)</p>  <p>3.5*35mm Screw x 8+1</p>
<p>(E)</p>  <p>5*40mm Screw x 8+1</p>	<p>(F)</p>  <p>300mm Drawer slide x 2</p>	<p>(G)</p>  <p>Hinge x 4</p>	<p>(H)</p>  <p>Rebound device x 4</p>
<p>(J)</p>  <p>Flip door lever x 2</p>	<p>(K)</p>  <p>Back panel buckle x 16+1</p>	<p>(L)</p>  <p>3.5*14mm Screw x 58+3</p>	<p>(M)</p>  <p>6*55mm Screw x 4+1</p>
<p>(N)</p>  <p>Light belt x 1</p>	<p>(P)</p>  <p>Screwdriver x 1</p>	<p>(Q)</p>  <p>felt x 7</p>	<p>(R)</p>  <p>Perfect sticker x 16+4</p>



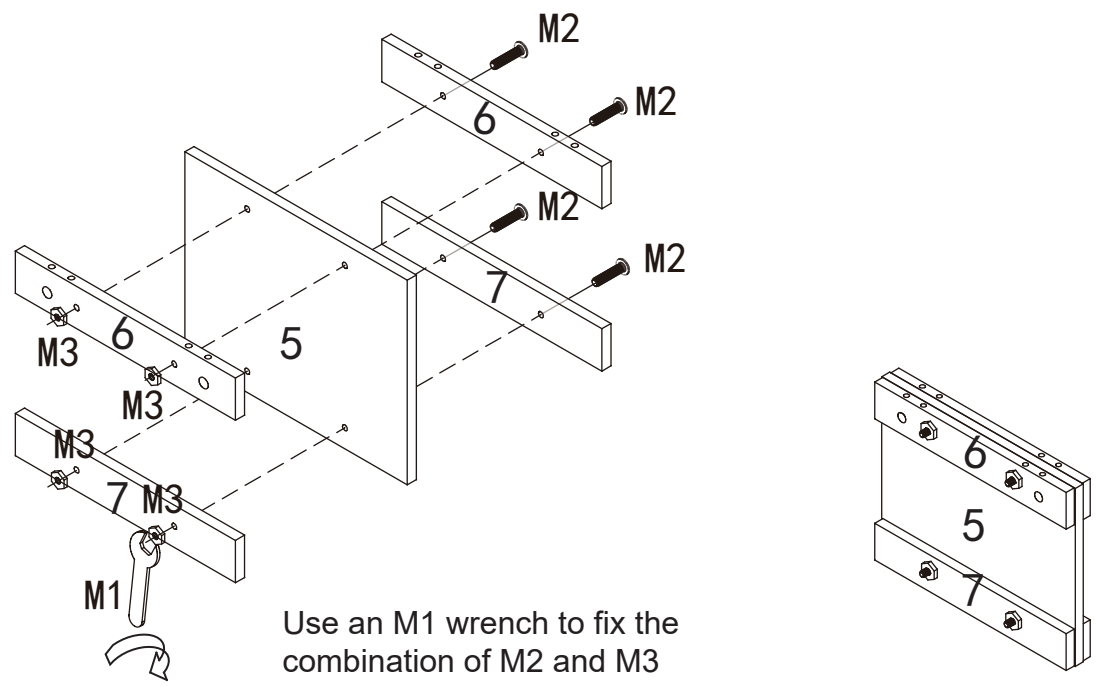


# 2.



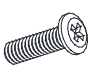



<p><b>A*24</b></p> 	<p><b>L*8</b></p>  <p>Ø 3.5 x 14 mm</p>	<p><b>H*4</b></p>  <p>H2 H1</p>	<p><b>H-H1*4</b></p> 
--	--	--	---

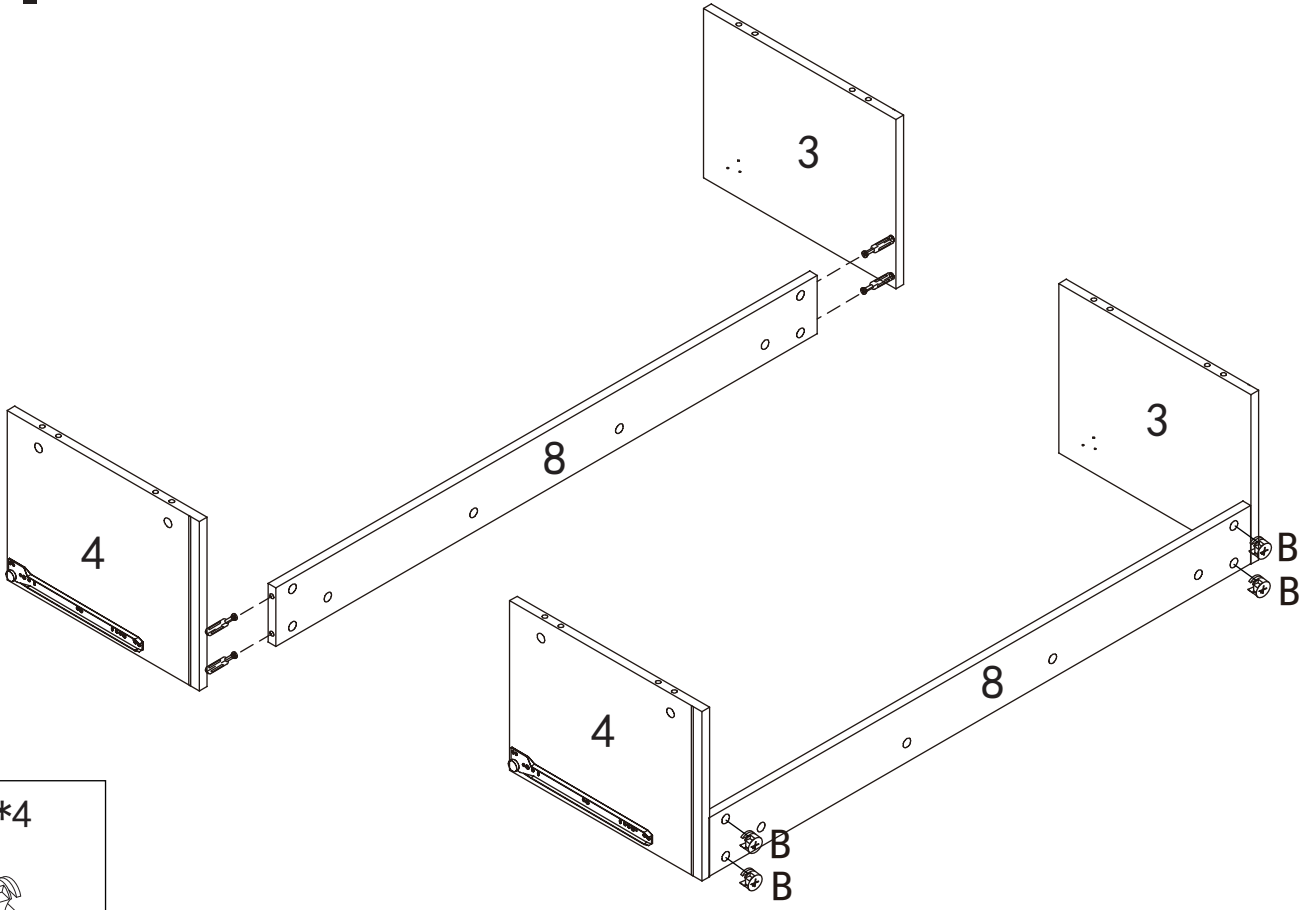
# 3.




Use an M1 wrench to fix the combination of M2 and M3

<p><b>M*1set</b></p> <p>M<sub>1</sub>*1pcs M<sub>2</sub>*4pcs M<sub>3</sub>*4pcs</p>  <p>Ø 6 x 55 mm</p>	<p><b>M-M1*1</b></p> 	<p><b>M-M2*4</b></p> 	<p><b>M-M3*4</b></p> 
--	--	--	--

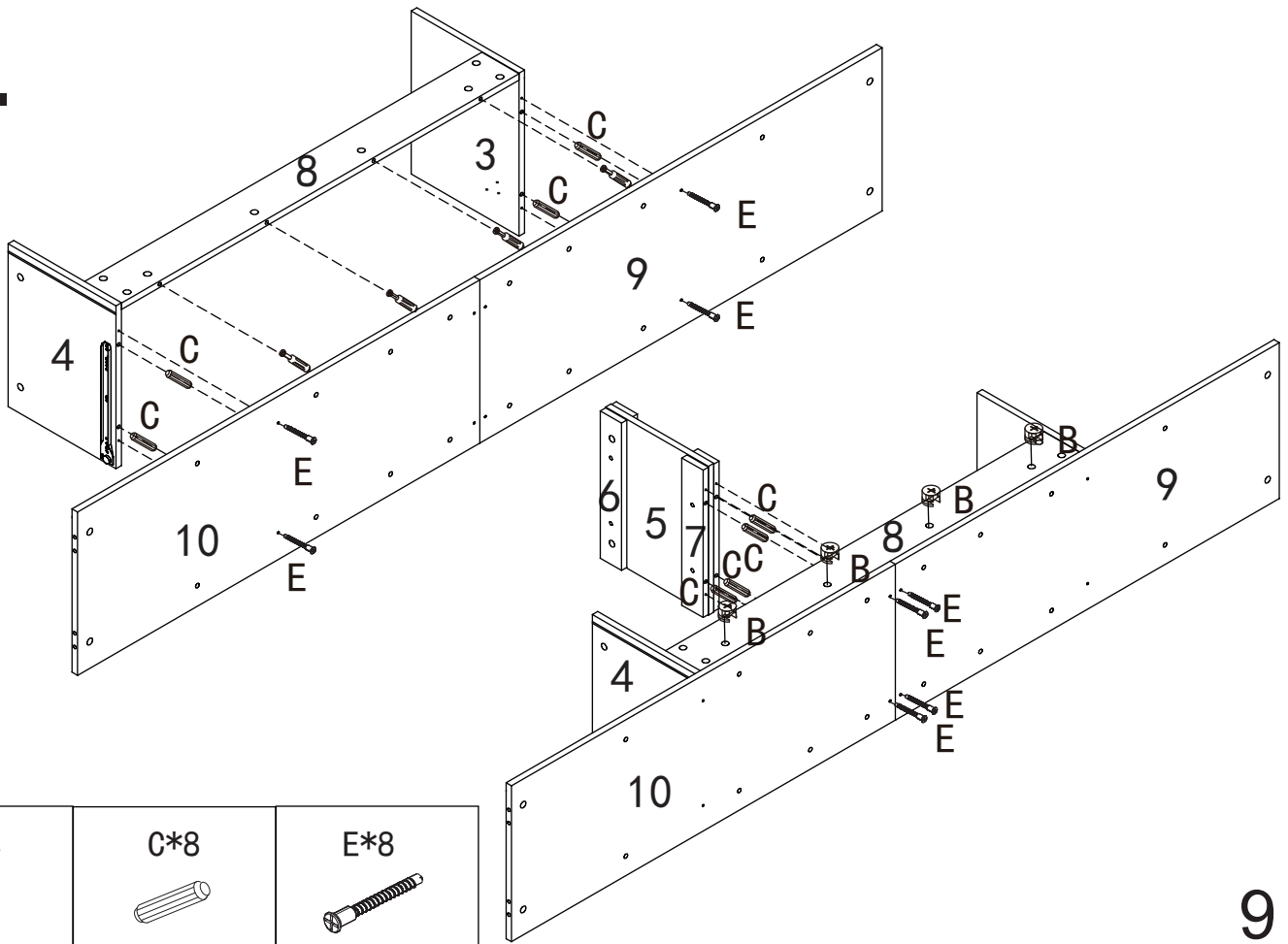
# 4.






B\*4

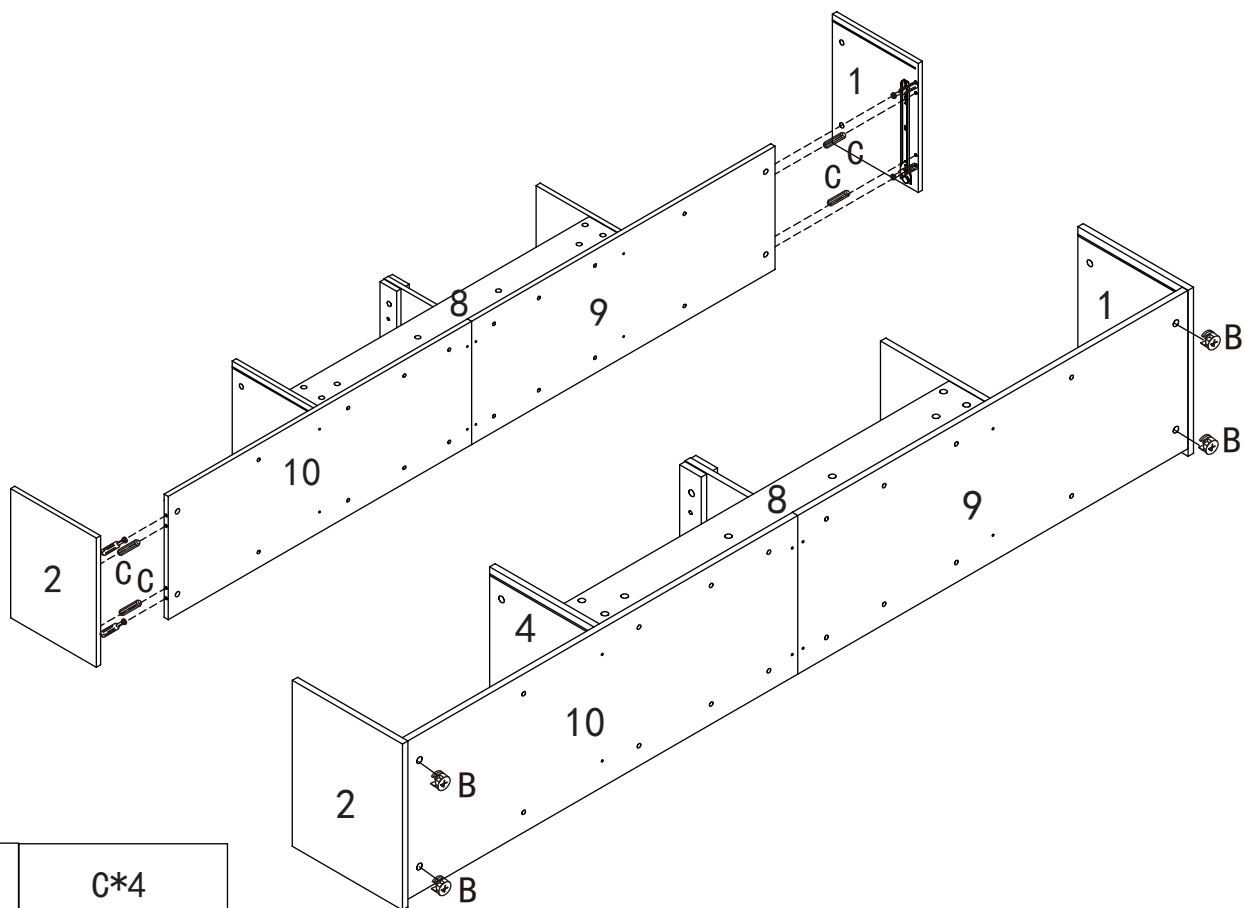


# 5.



B*4	C*8	E*8
		
	∅ 8 x 30 mm	∅ 5 x 40 mm

# 6.



B\*4

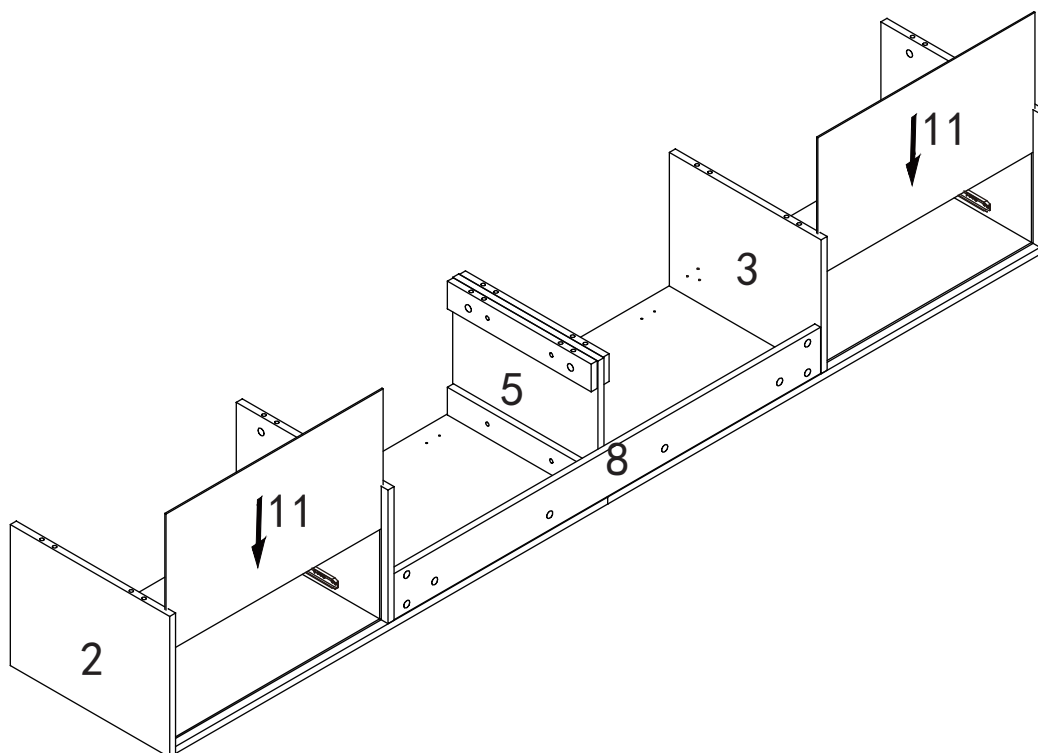


C\*4

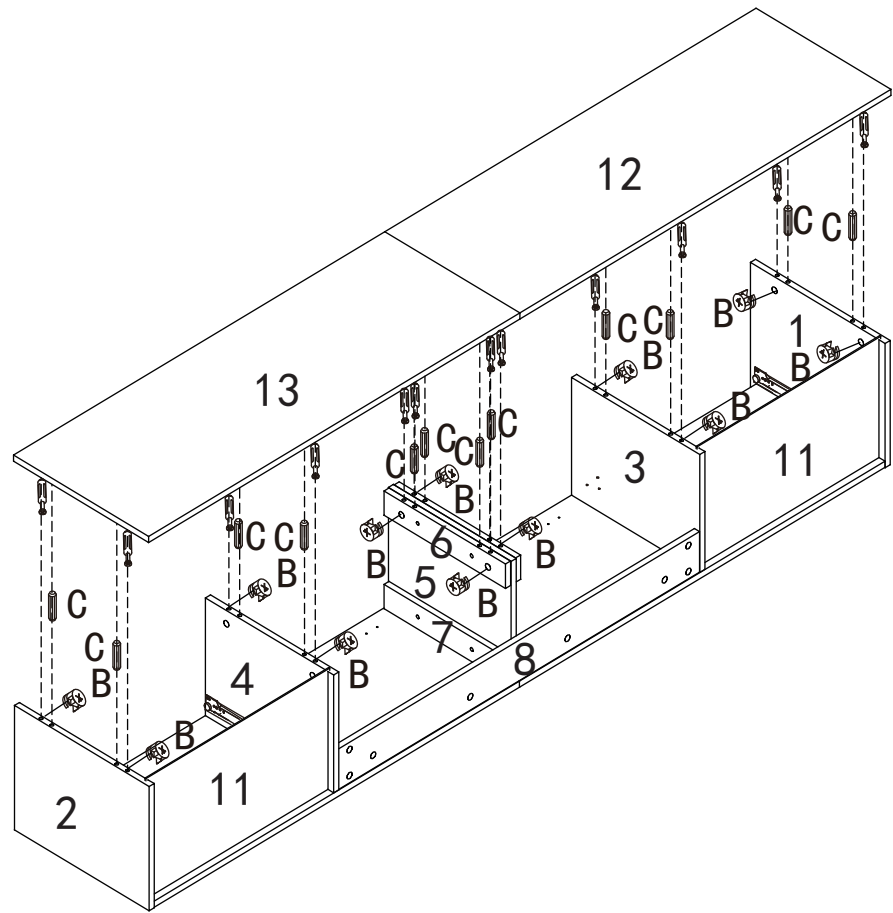


Ø 8 x 30 mm

# 7.



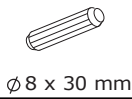
# 8.



B\*12

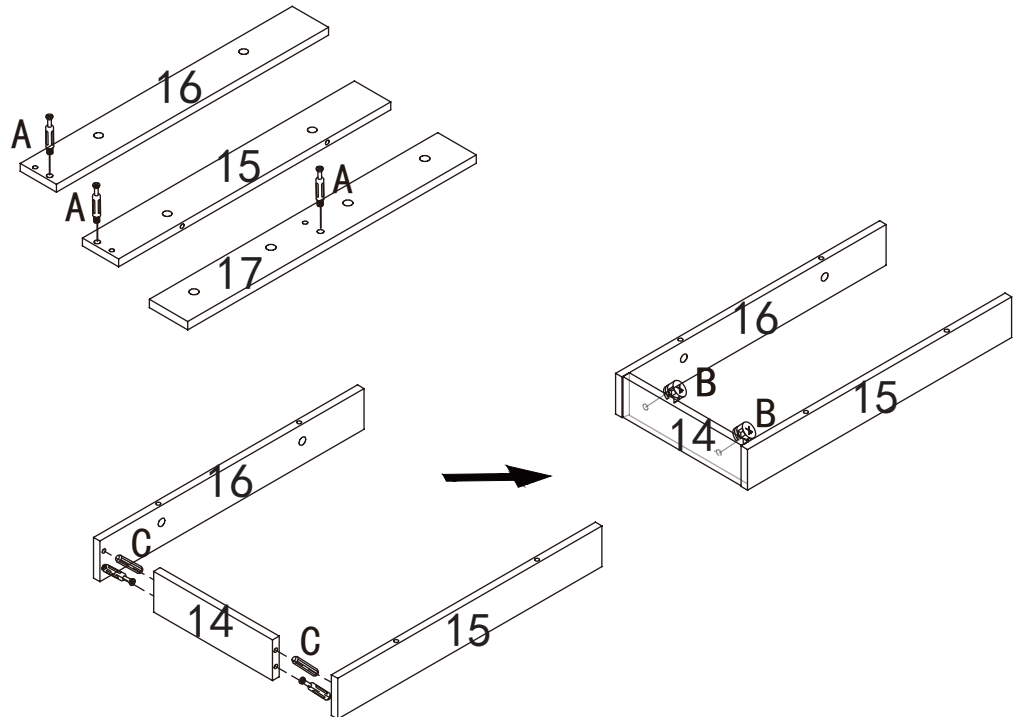


C\*12

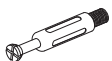


∅ 8 x 30 mm

# 9. x2



A\*6



B\*4

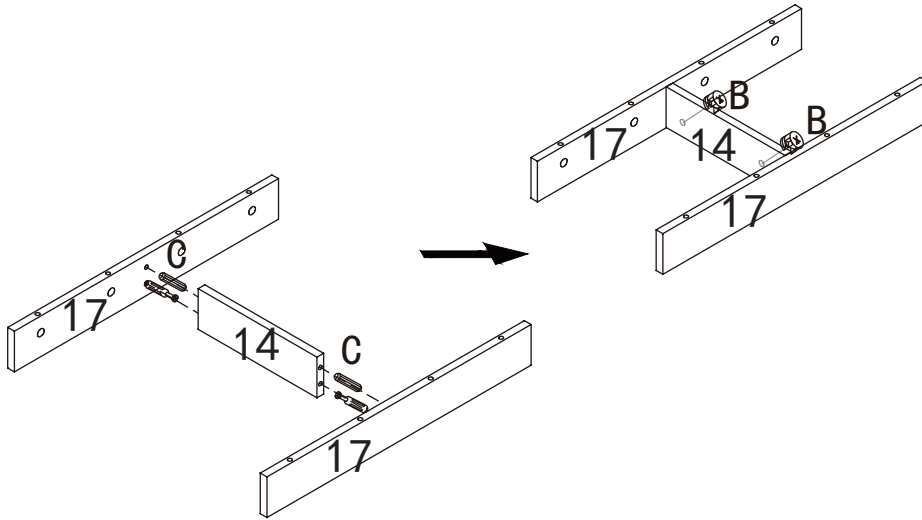


C\*4



∅ 8 x 30 mm

# 10.



B\*2

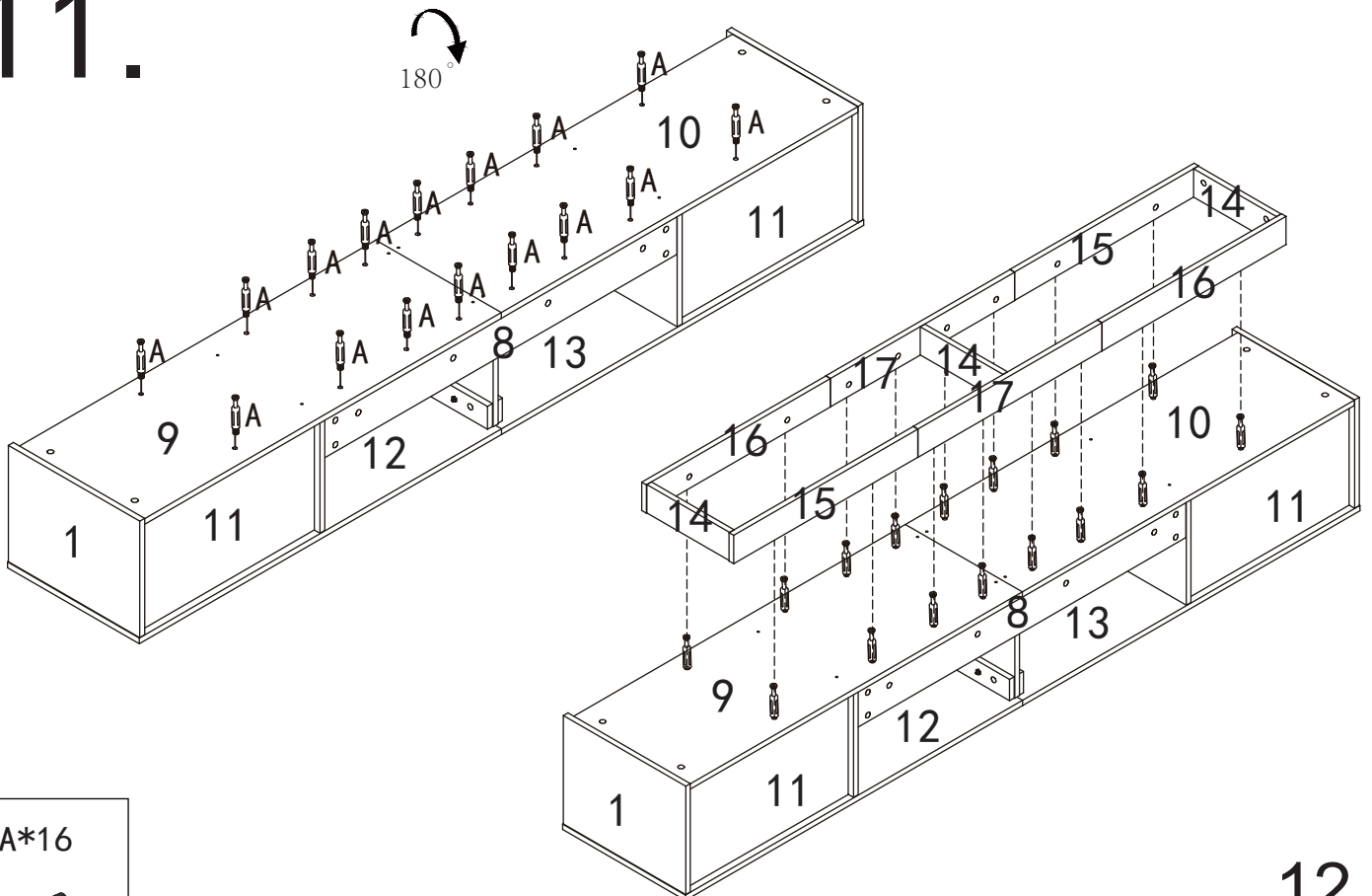


C\*2



Ø 8 x 30 mm

# 11.

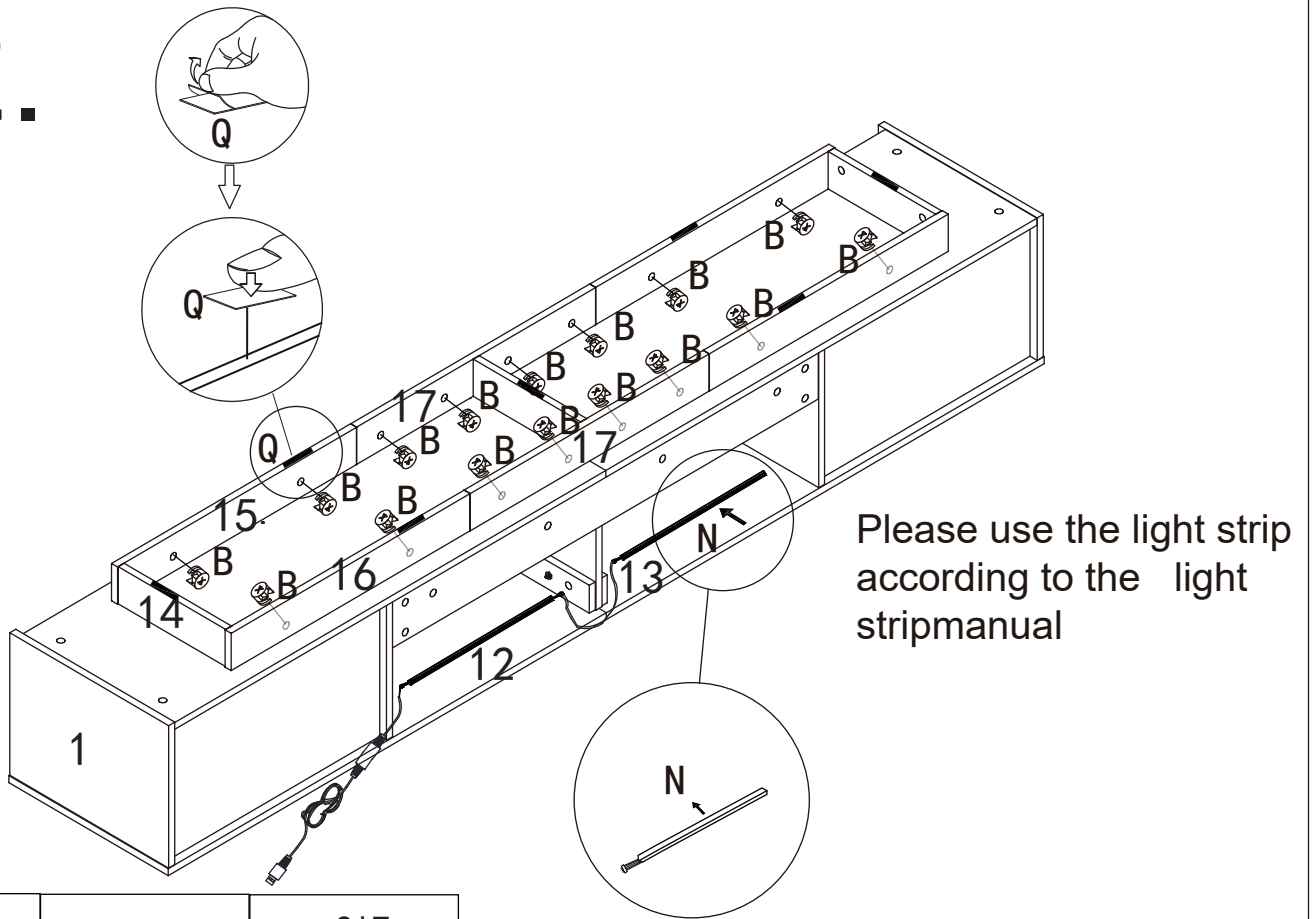


A\*16






12

# 12.

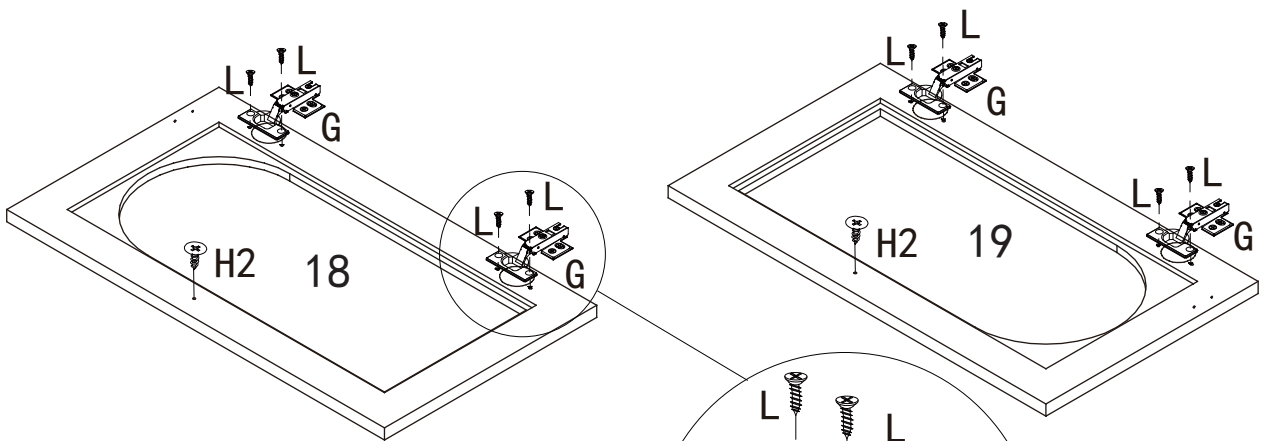



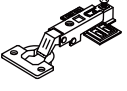
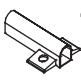

Please use the light strip according to the light strip manual

B*16 	N*1 	Q*7 
---	--	--

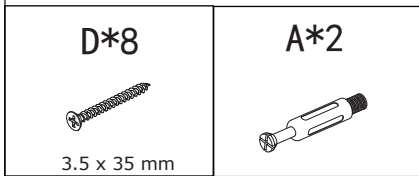
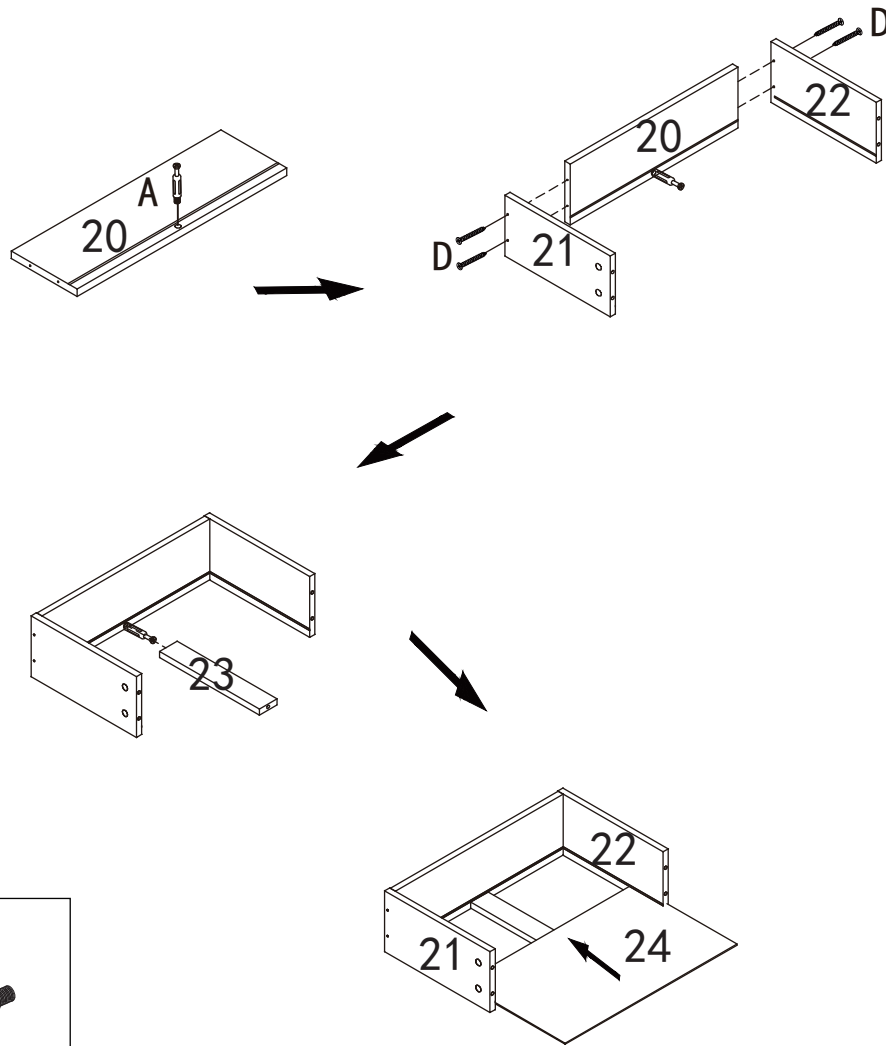
N needs to be pasted on plates 12 and 13

# 13.

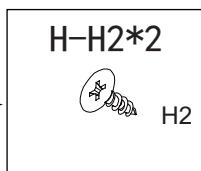
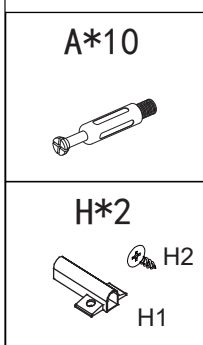
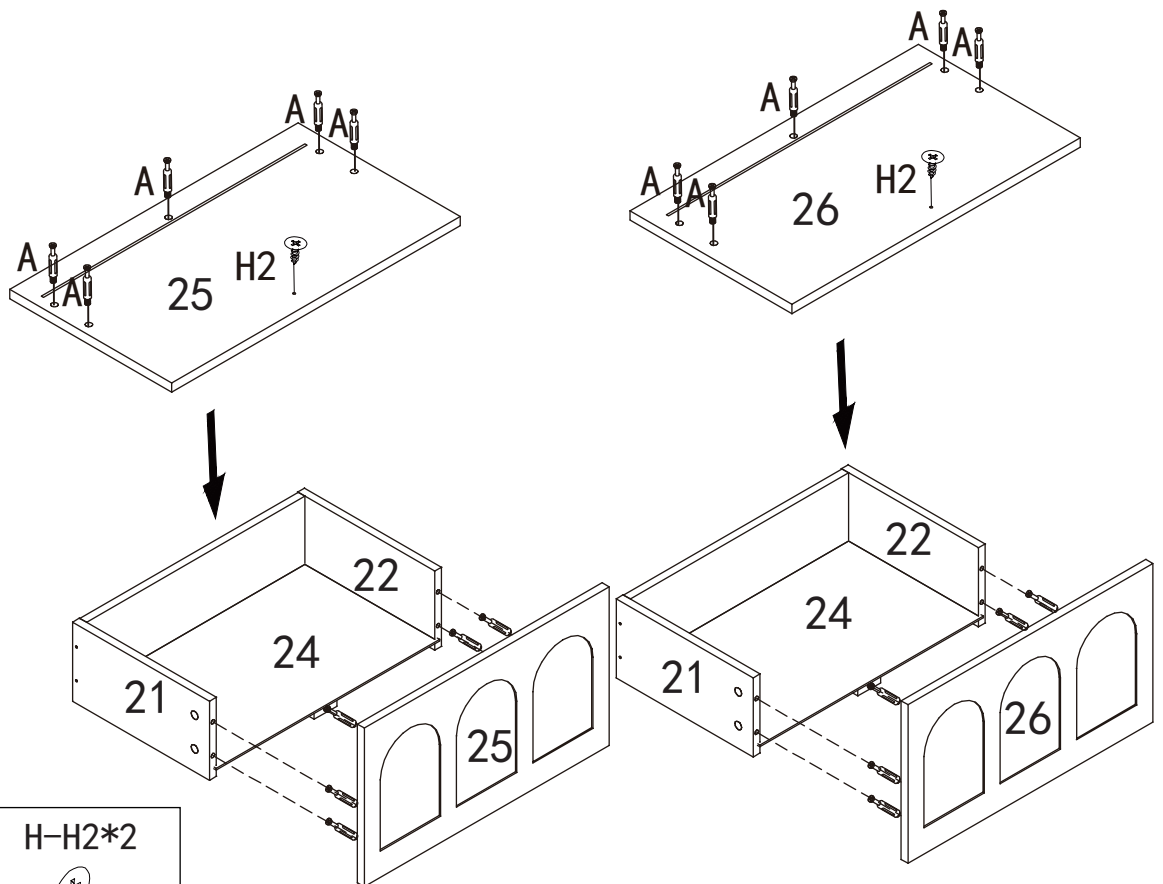


L*8  Ø 3.5 x 14 mm	G*4 
H*2  H1	H-H2*2  H2

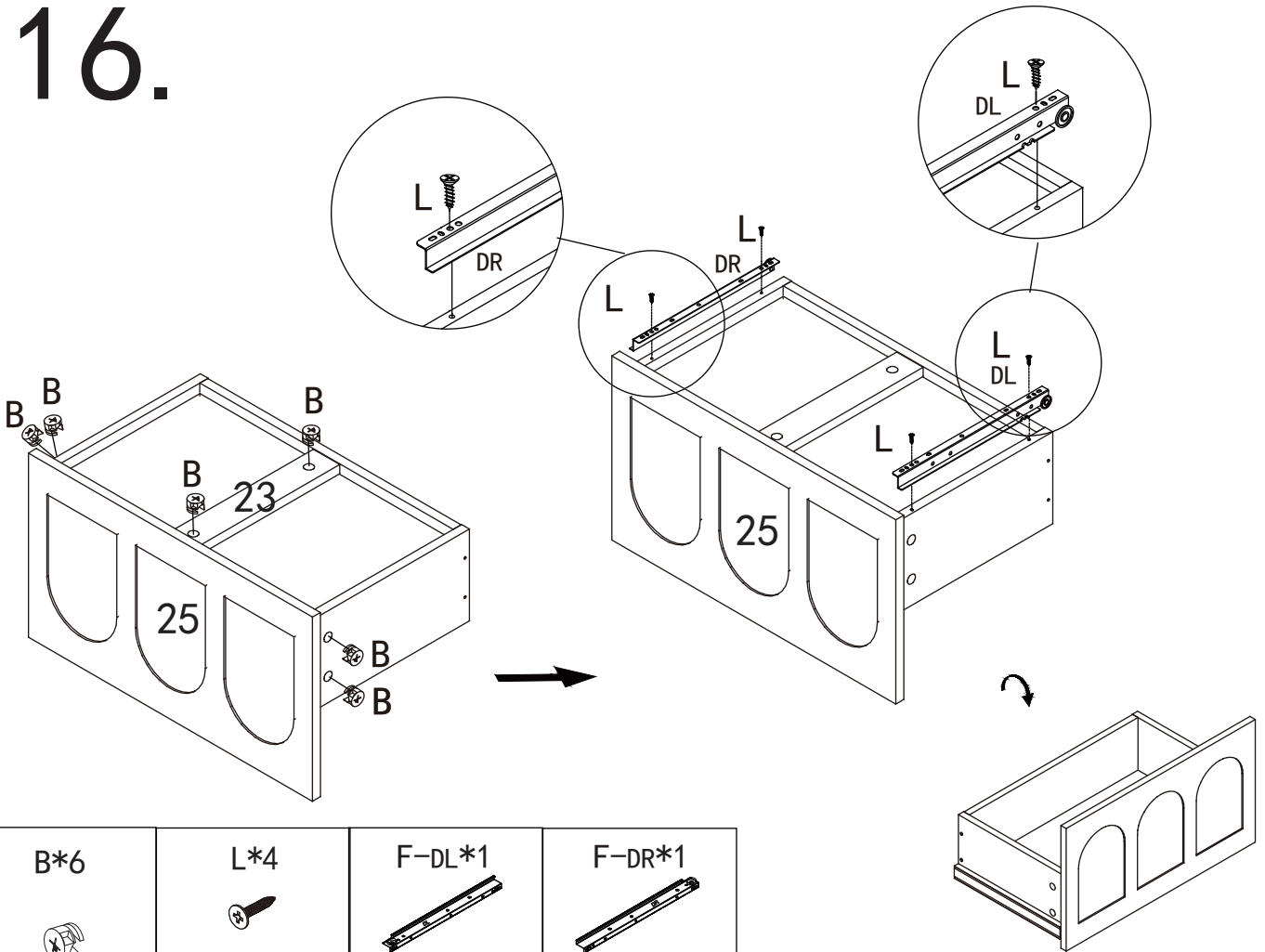
# 14. x2



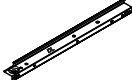



# 15.

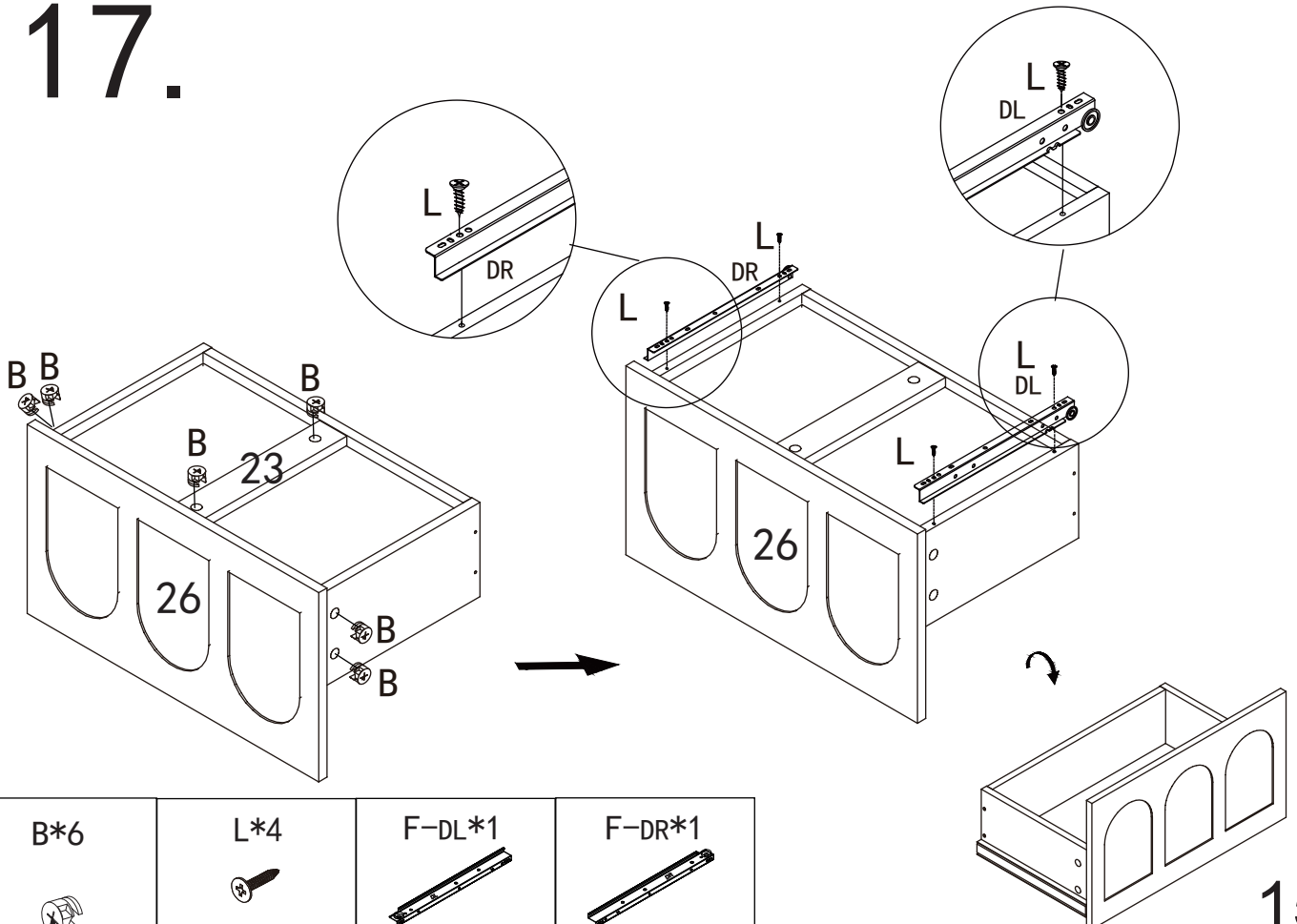






# 16.



B*6	L*4	F-DL*1	F-DR*1
	 Ø 3.5 x 14 mm	 300mm	 300mm

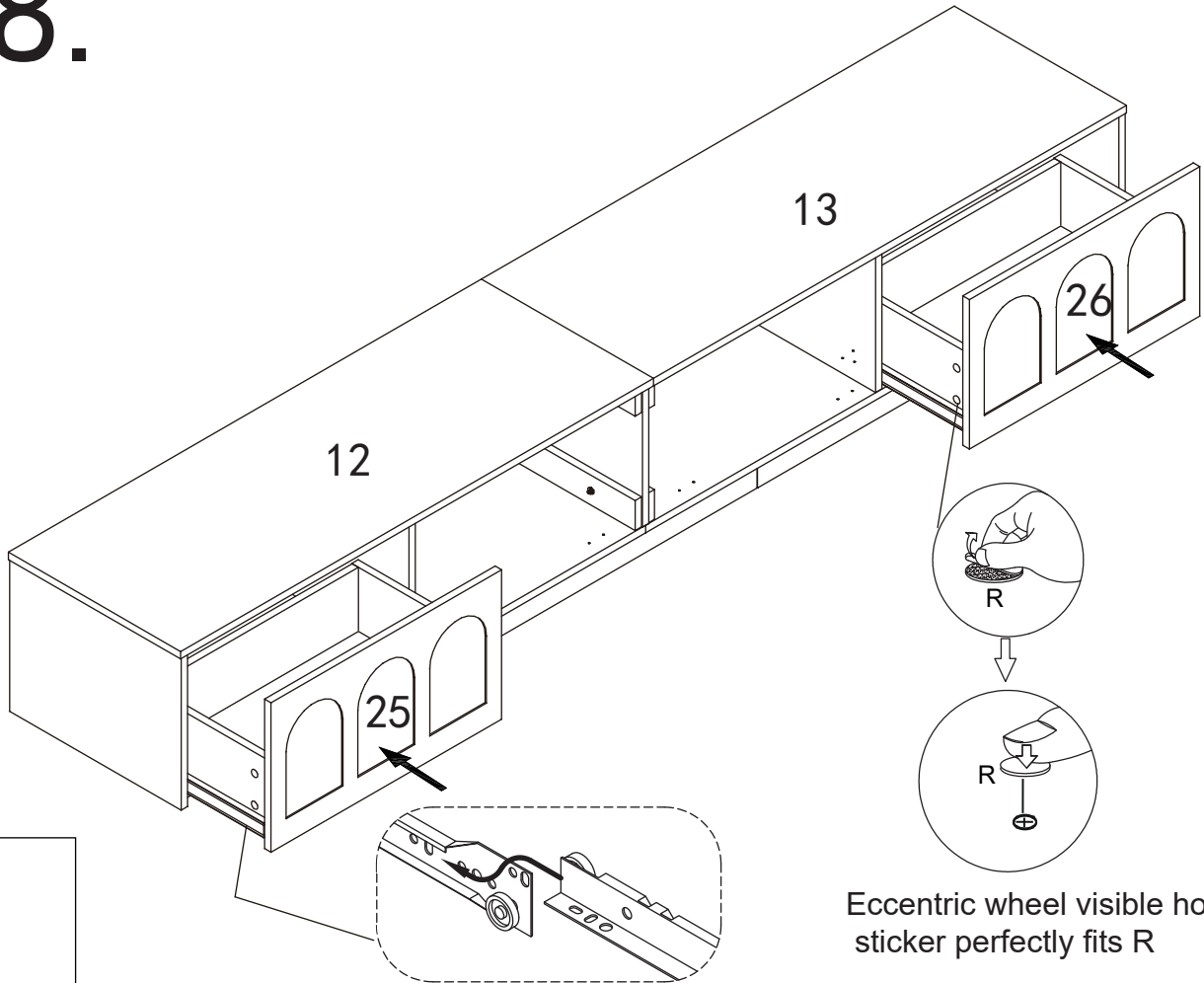
# 17.



B*6	L*4	F-DL*1	F-DR*1
	 Ø 3.5 x 14 mm	 300mm	 300mm



# 18.

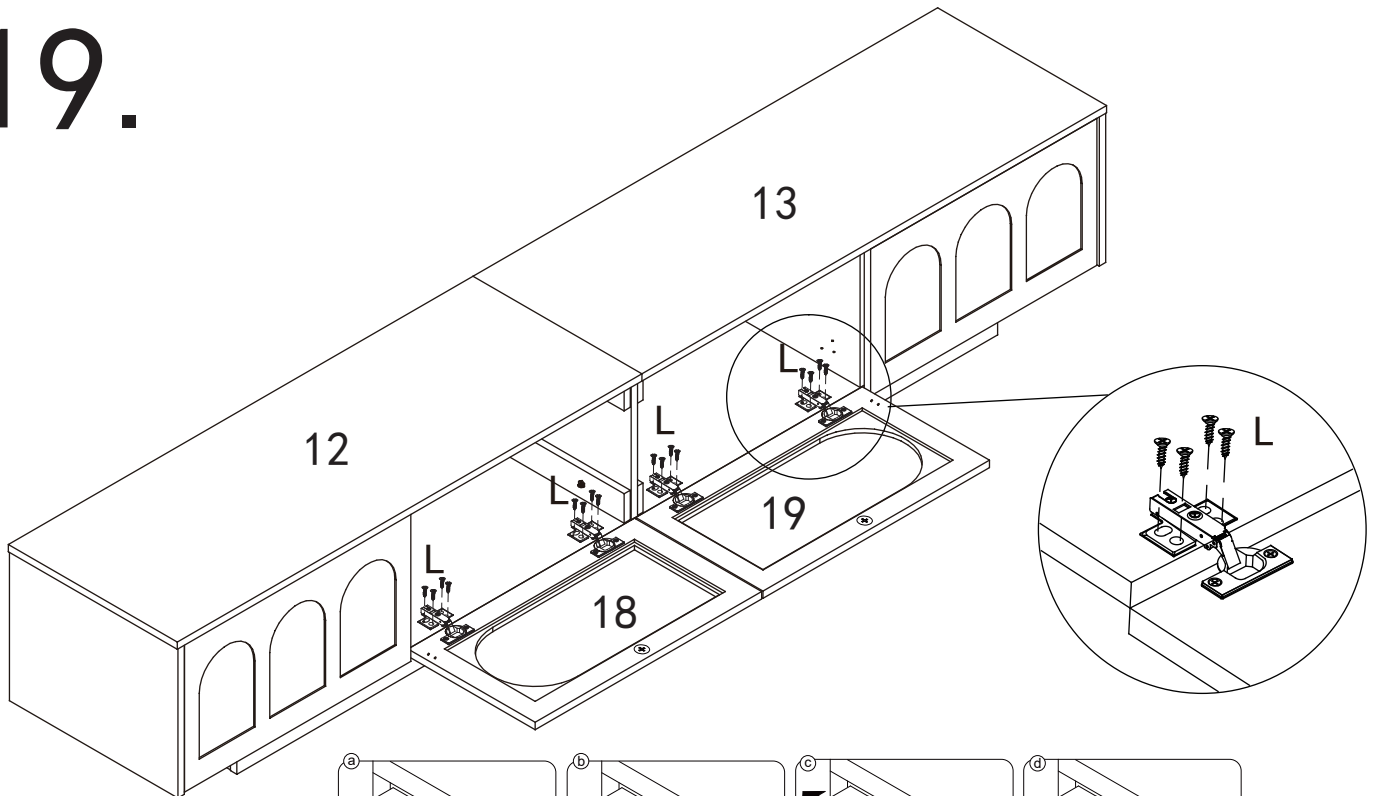


R\*8



Eccentric wheel visible hole sticker perfectly fits R

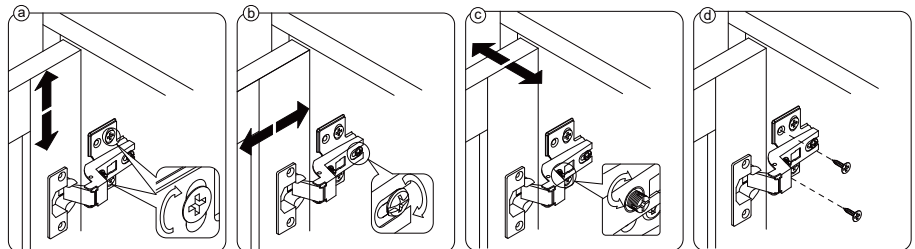
# 19.



L\*16

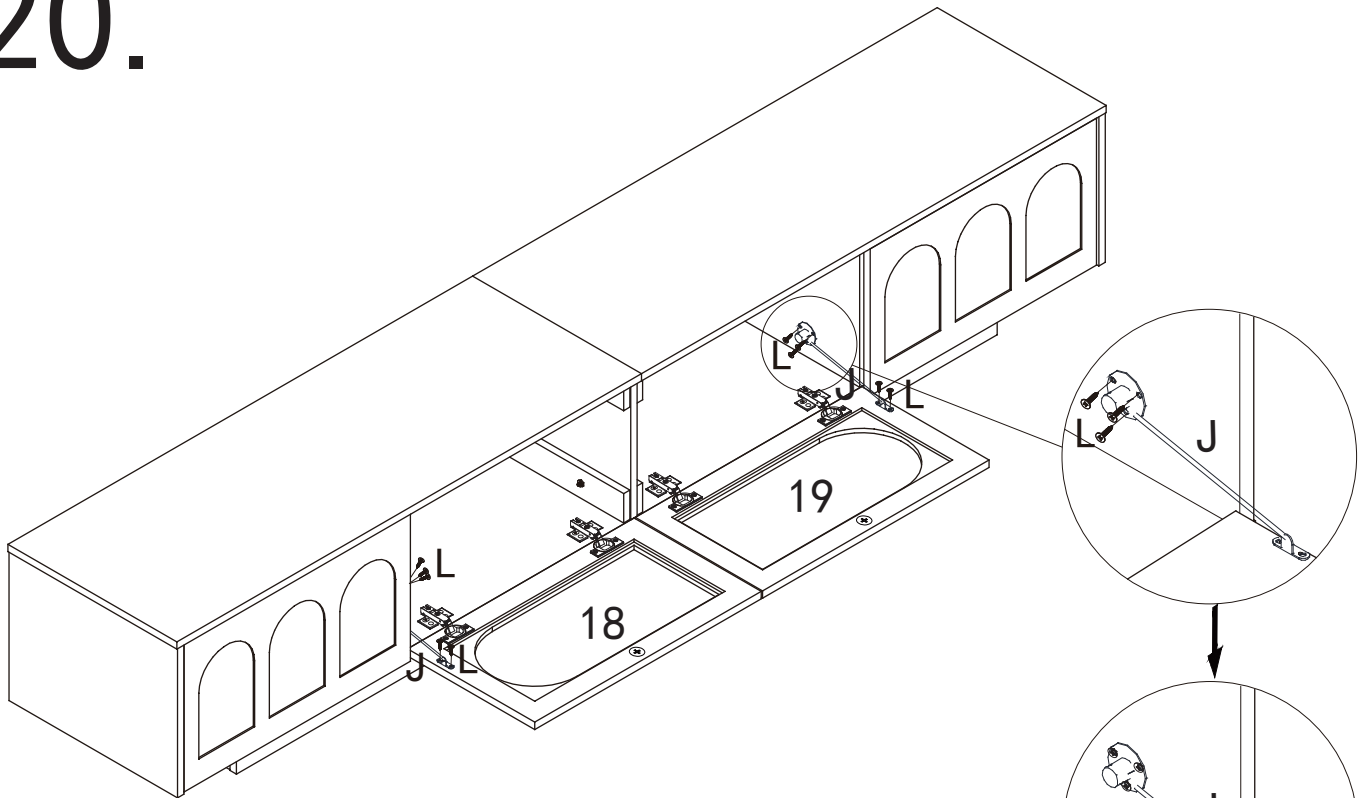


∅ 3.5 x 14 mm



16

# 20.



J\*2



L\*10

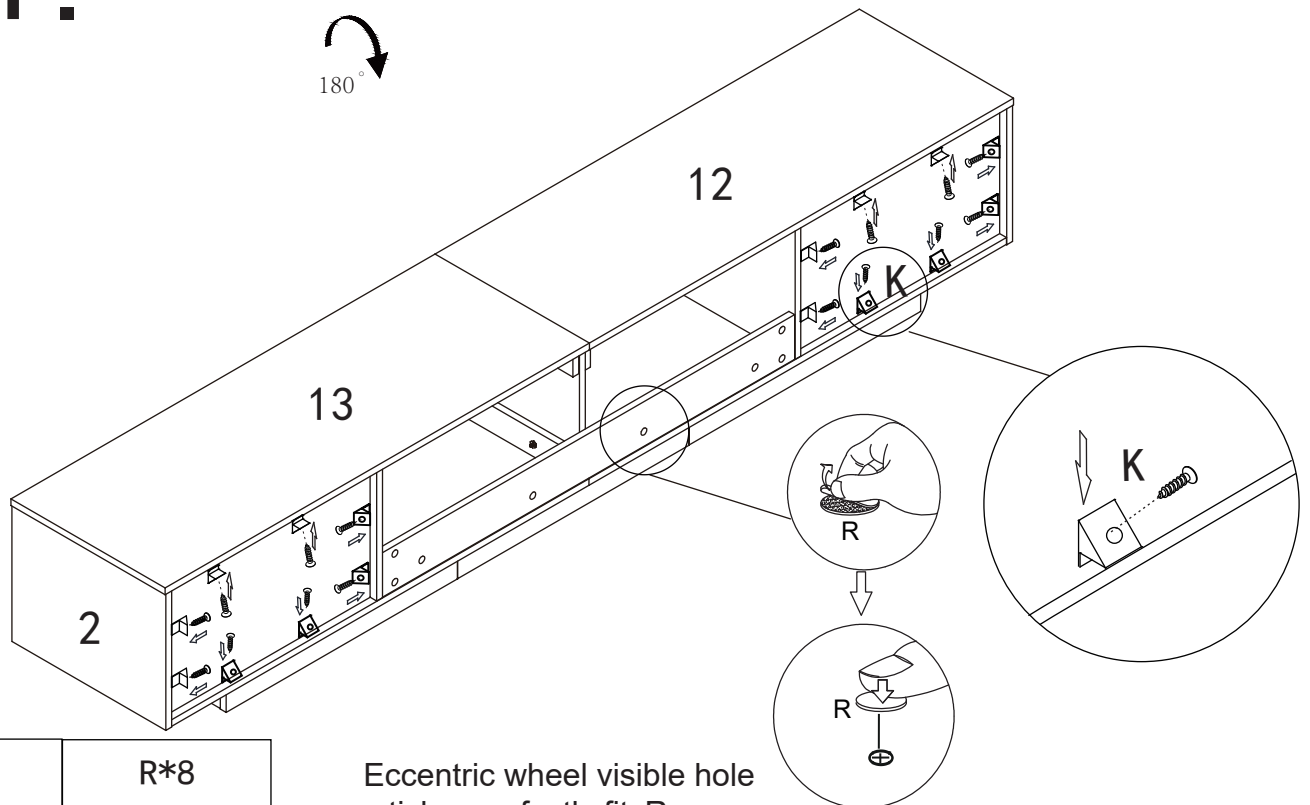


Ø 3.5 x 14 mm

# 21.



180°



K\*16



R\*8



Eccentric wheel visible hole sticker perfectly fits R

17

22.

