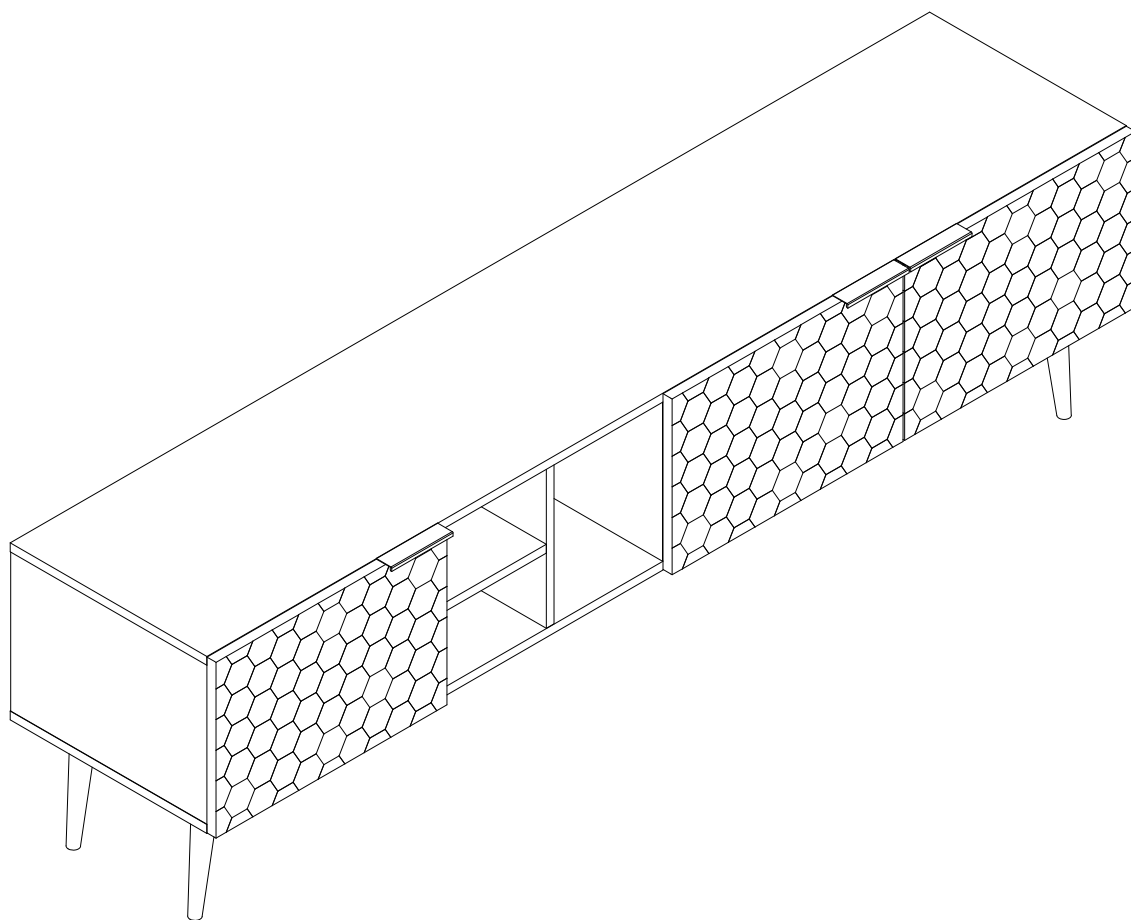


# TV cabinet

Assembly Instruction-please keep for future reference



## Dimensions

Width-70.9inch

Depth-15.7inch

Height-19.7inch

Important-please read this instructions fully before starting assembly



# Safety and Care Advice

## Important – Please read these instructions fully before starting assembly

- Check you have all the components and tools listed on the following pages.
- Remove all fittings from the plastic bags and separate them into their groups.
- Keep children and animals away from the work area, small parts could choke if swallowed.
- Make sure you have enough space to layout the parts before starting.

- During assembly do not stand or put weight on the product, this could cause damage.
- Assemble the item as close to its final position (in the same room) as possible.
- Assemble on a soft level surface to avoid damaging the unit or your floor.
- Parts of the assembly will be easier with 2 people.



power drill is set on a low torque setting.

- To reduce the likelihood of damaging your product please ensure that your

## Care and maintenance

- Only clean using a damp cloth and mild detergent, do not use bleach or abrasive cleaners.
- From time to time check that there are no loose screws on this unit.
- This product should not be discarded with household waste. Take to your local authority waste disposal centre.

## Handy Hints

- Assemble all parts and bolts loosely during assembly, only once the product is complete should you fully tighten the bolts
- Regularly check and ensure that all bolts and fittings are tightened properly.

## WARNING

In order to help prevent overturning – please follow these instructions

To help prevent product toppling over please follow the below steps:-

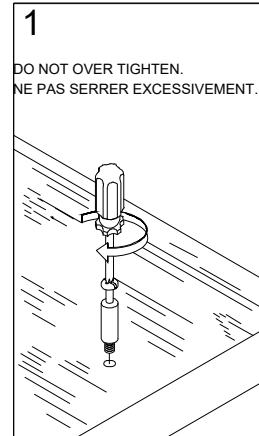
- Use the anti tip stap or wall fixing method provided (if applicable)
- Do not allow children to climb or hang on the furniture
- Do not open more than one drawer at a time
- Do not place heavy items in the top drawers
- Do not place heavy items on top of the furniture, unless the furniture has been designed for this purpose

# Using Camlocks

## Step 1

---

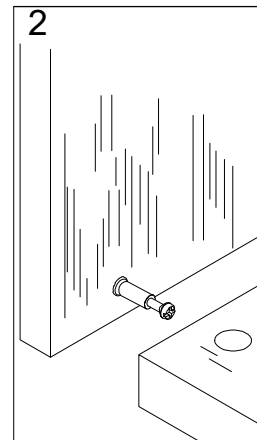
Connect the male camlock as directed in the assembly instructions using a screwdriver.



## Step 2

---

Push the male camlock into the entry hole.

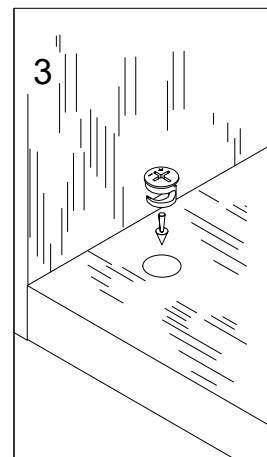


## Step 3

---

Insert the female camlock as shown in the instruction.

Note: ensure that the arrow on the top of the camlock points towards the entry hole for the male camlock.



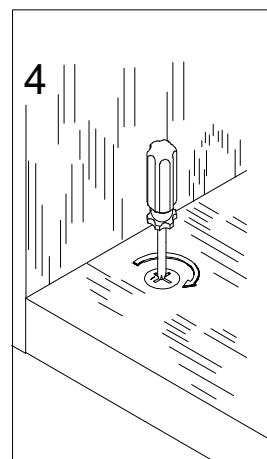
## Step 4

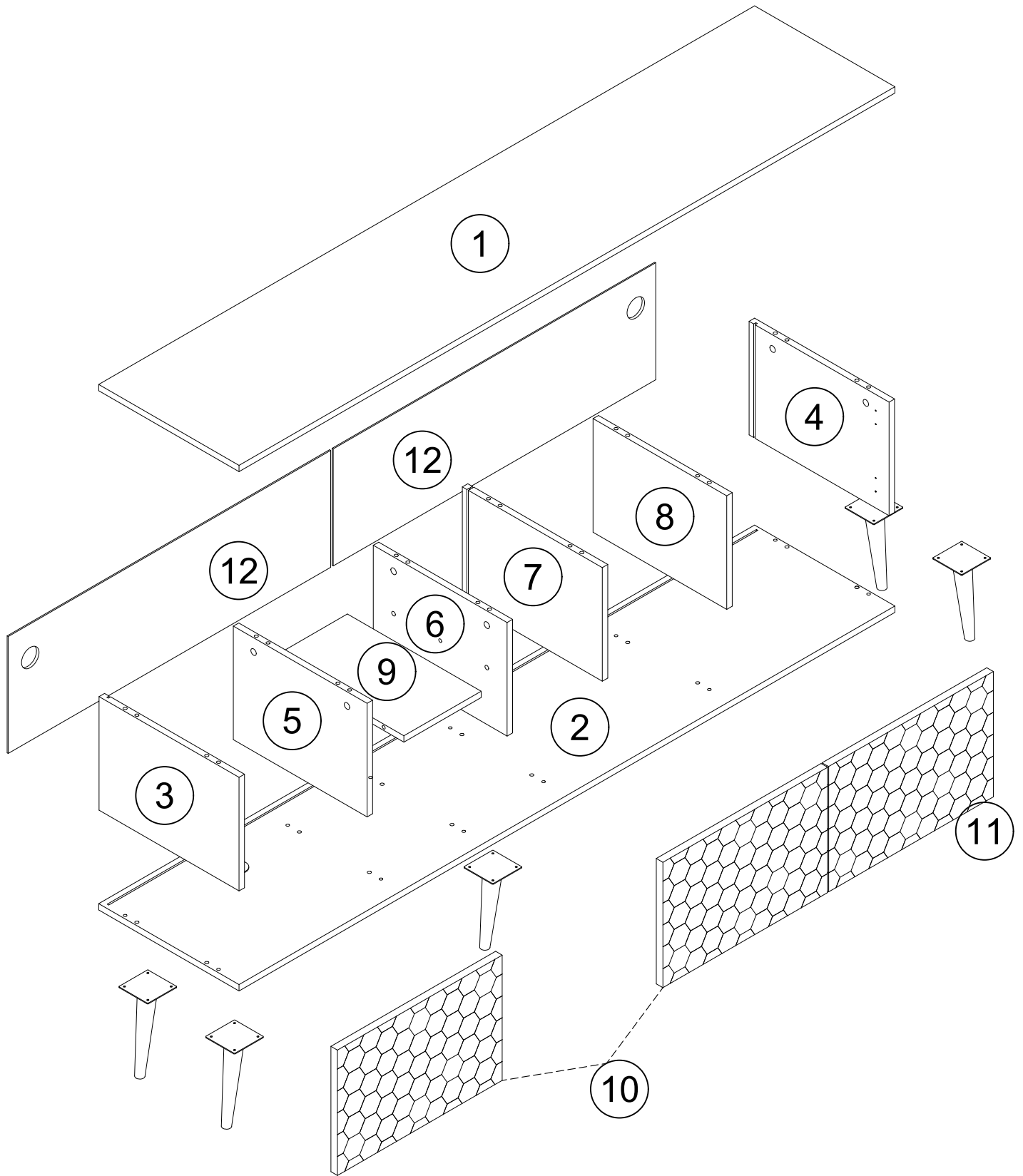
---

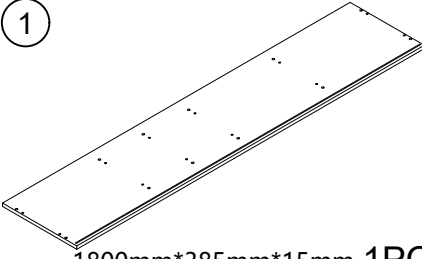
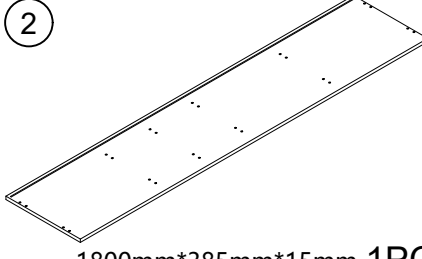
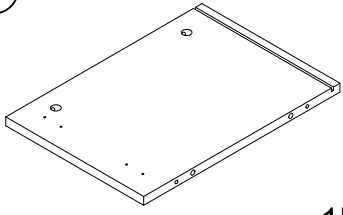
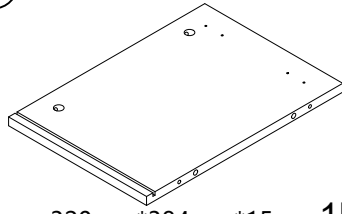
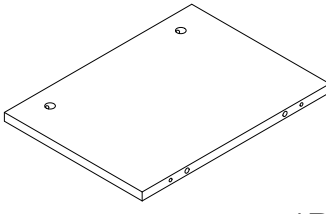
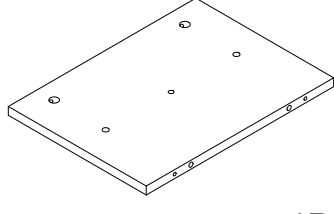
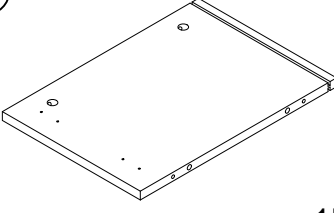
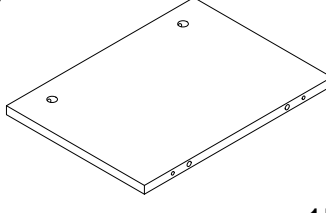
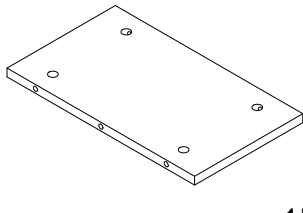
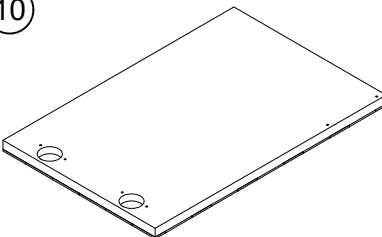
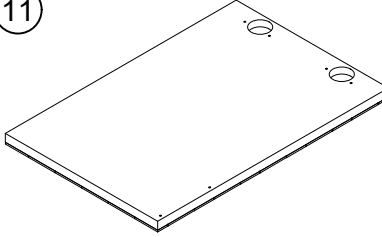
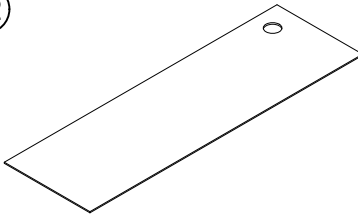
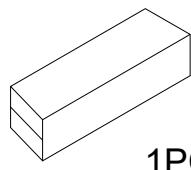
Turn the female camlock clockwise with a screwdriver.

You should feel a click when the camlock is locked in place.



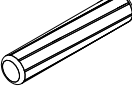
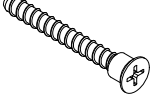
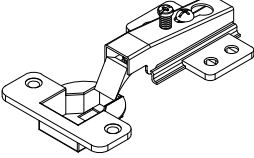
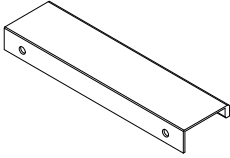
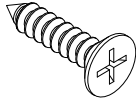
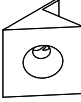

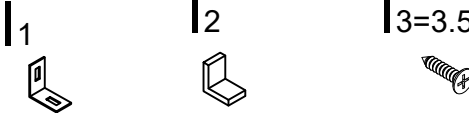

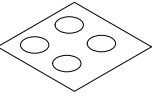
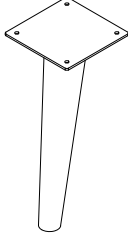
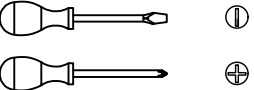
The joint is now secure.



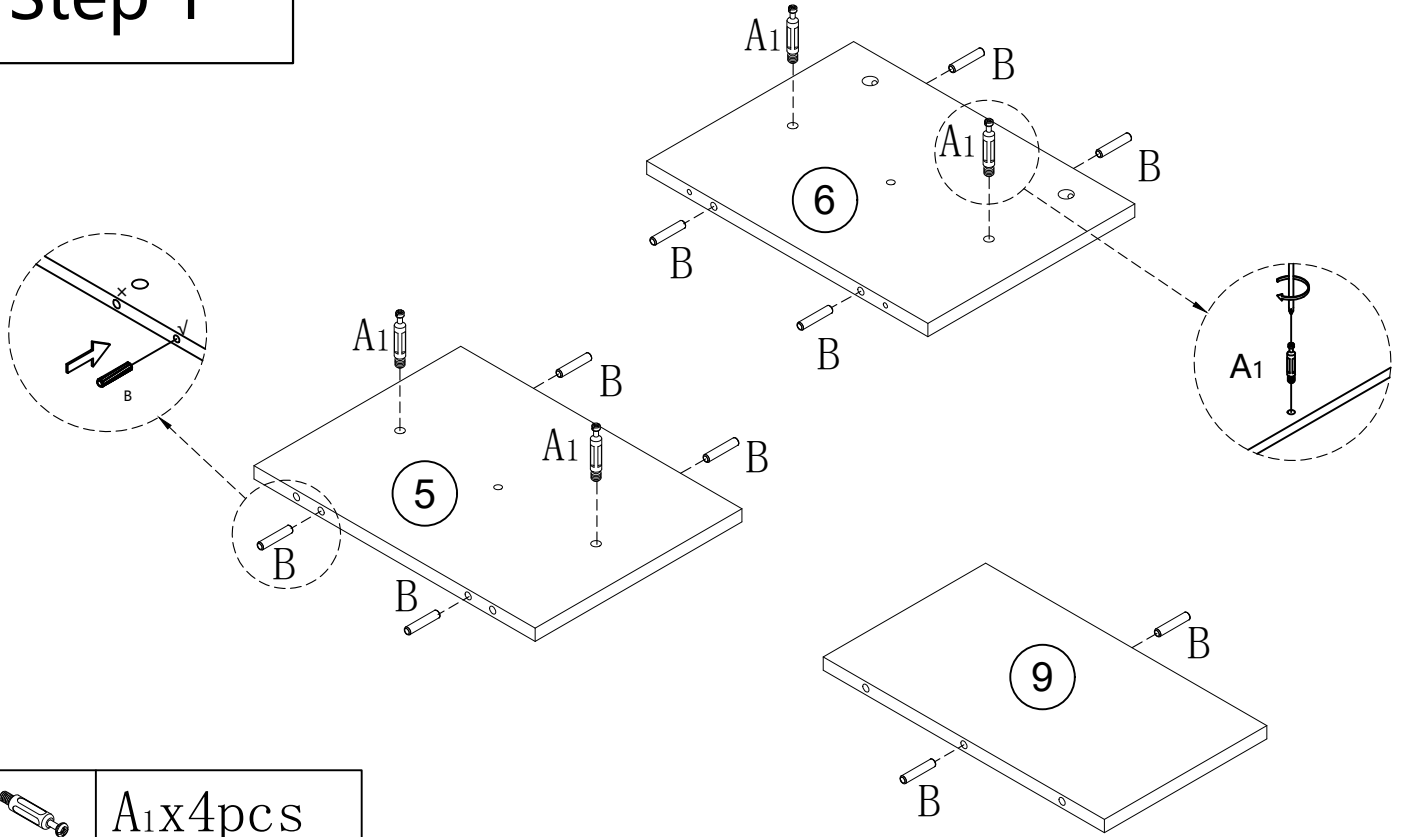


<p>①</p>  <p>1800mm*385mm*15mm 1PC</p>	<p>②</p>  <p>1800mm*385mm*15mm 1PC</p>	<p>③</p>  <p>320mm*384mm*15mm 1PC</p>
<p>④</p>  <p>320mm*384mm*15mm 1PC</p>	<p>⑤</p>  <p>320mm*367mm*15mm 1PC</p>	<p>⑥</p>  <p>320mm*367mm*15mm 1PC</p>
<p>⑦</p>  <p>320mm*384mm*15mm 1PC</p>	<p>⑧</p>  <p>320mm*367mm*15mm 1PC</p>	<p>⑨</p>  <p>212mm*367mm*15mm 1PC</p>
<p>⑩</p>  <p>348mm*452mm*15mm 2PC</p>	<p>⑪</p>  <p>348mm*452mm*15mm 1PC</p>	<p>⑫</p>  <p>328mm*885mm*3mm 2PC</p>
<p>Hardware Box</p>  <p>1PC</p>		

# Hardware List

<p><b>A</b></p> <p><b>A<sub>1</sub></b></p>  <p>Cam Bolt=16+1PCS</p>	<p><b>A<sub>2</sub></b></p>  <p>Cam Lock=16+1PCS</p>	<p><b>B</b></p>  <p>Ø8*40 Dowel =26+1PCS</p>	<p><b>C</b></p>  <p>M7*50 Screw=12PCS</p>
<p><b>D</b></p>  <p>Hinge=6PCS</p>	<p><b>E</b></p>  <p>Handle=3PCS</p>	<p><b>F</b></p>  <p>M3.5*14 Screw=74+2PCS</p>	<p><b>G</b></p>  <p>Backboard buckle=12PCS</p>
<p><b>L</b></p>  <p>Perfect sticke=16+1PCS</p>	<p><b>I</b></p> <p><b>I<sub>1</sub></b> <b>I<sub>2</sub></b> <b>I<sub>3</sub>=3.5*14</b></p>  <p><b>I<sub>4</sub>=3.5*30</b> <b>I<sub>5</sub></b></p>  <p>Tilting prevention=2PCS</p>		<p><b>K</b></p>  <p>Glue cushion= 6PCS</p>
<p><b>H</b></p>  <p>Leg = 5PCS</p>			
<p><b>Tool Required</b></p> 			

# Step 1

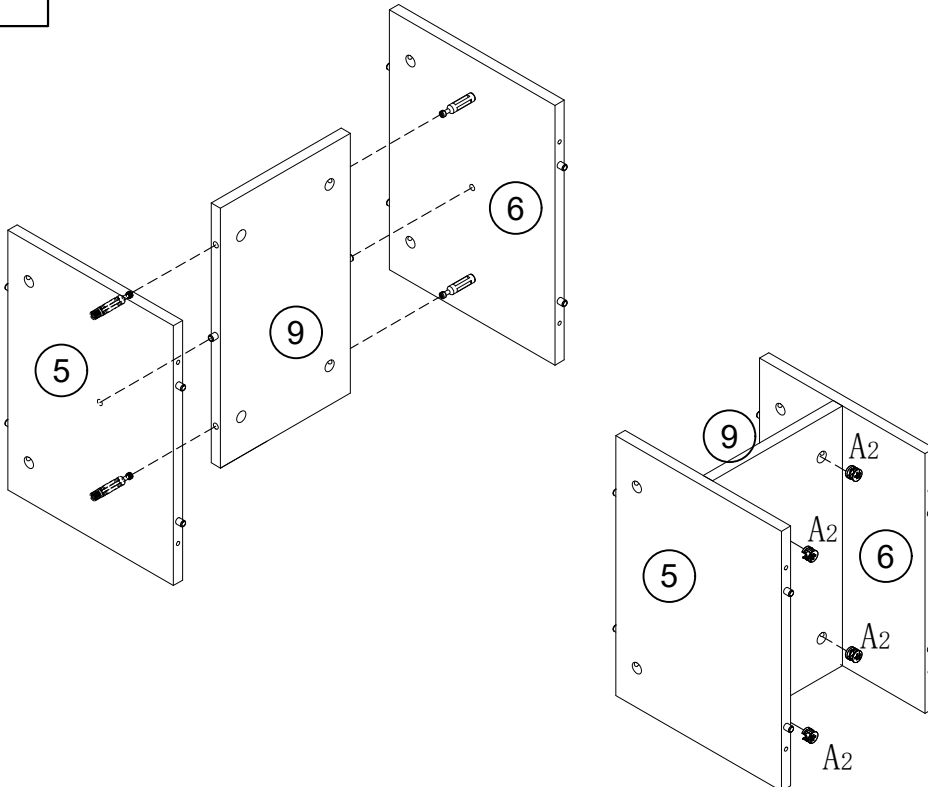


A<sub>1</sub>x4pcs



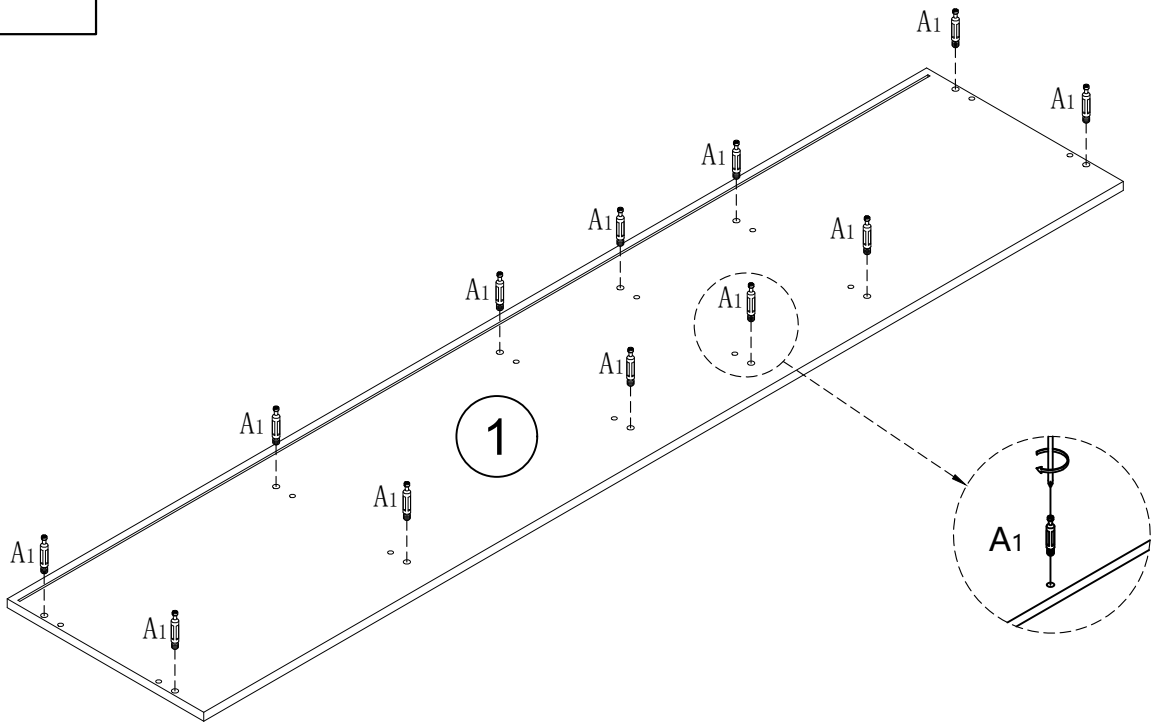
Bx10pcs

# Step 2



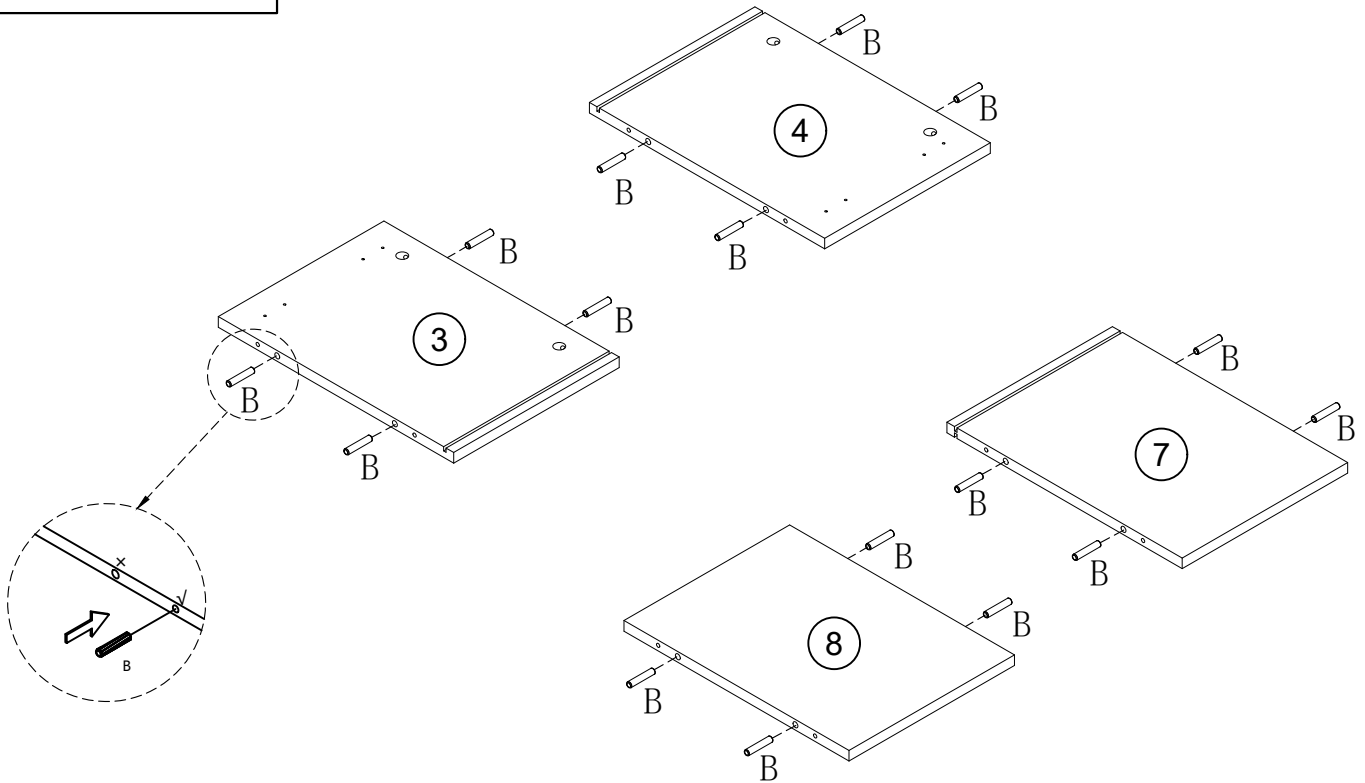
A<sub>2</sub>x4pcs

# Step 3



A1x12pcs

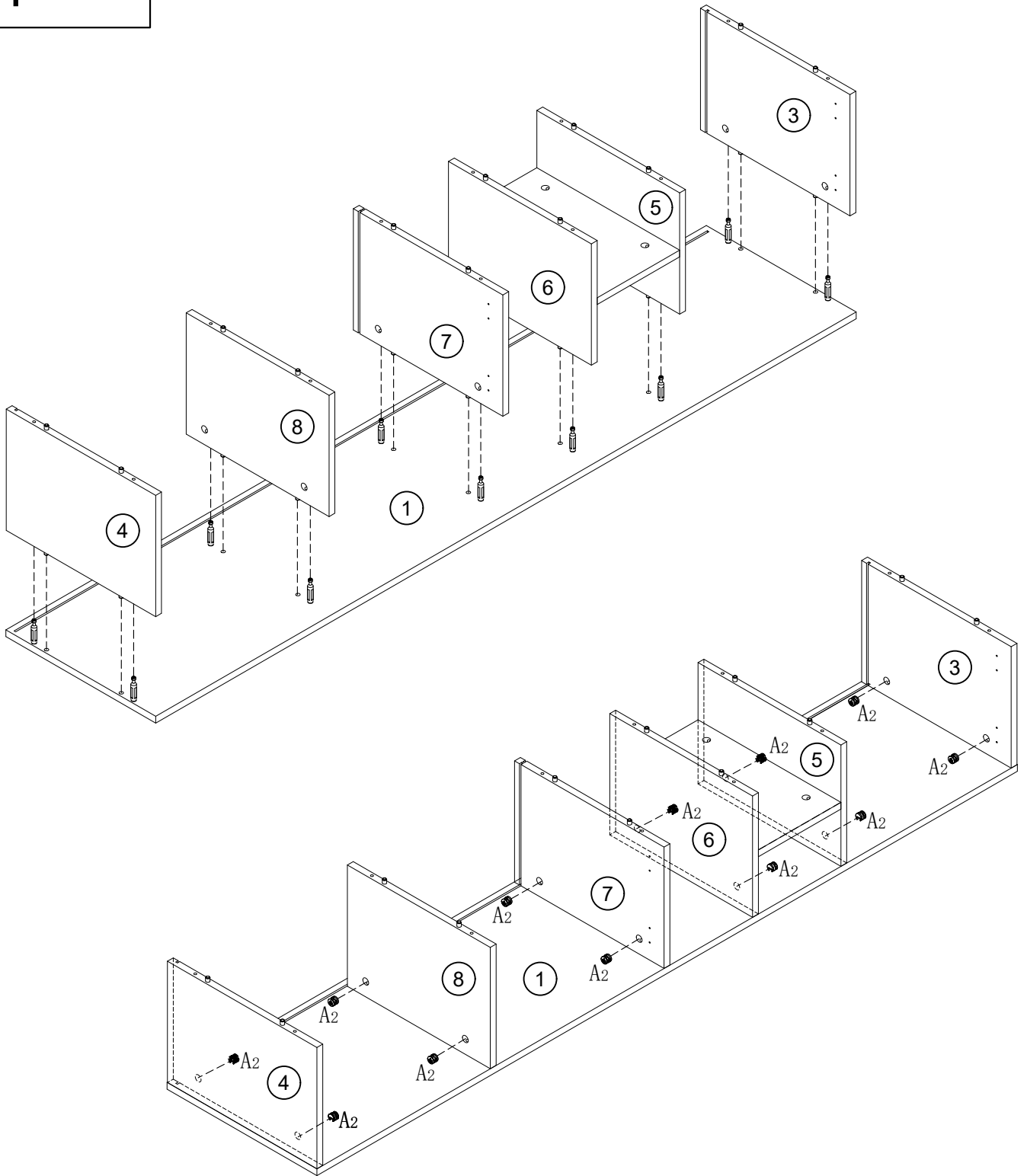
# Step 4



Bx16pcs

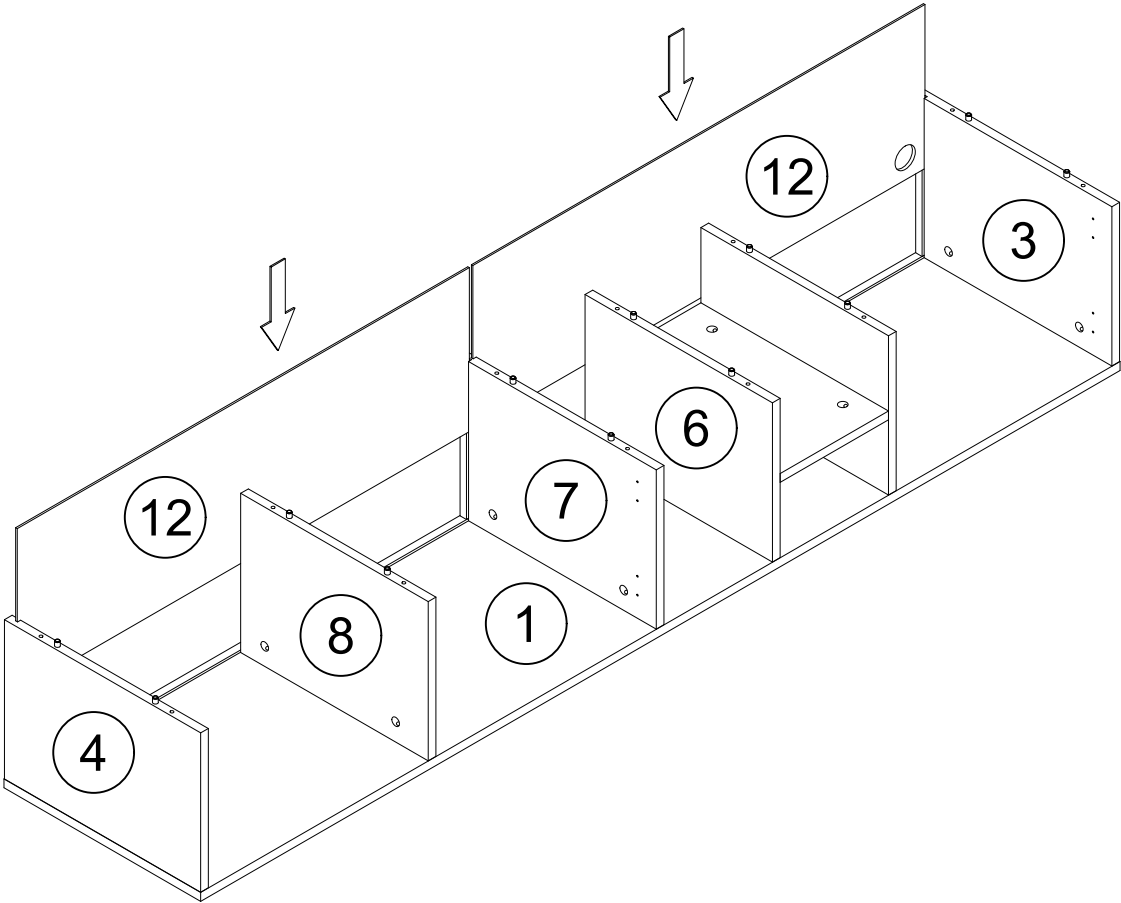


# Step 5

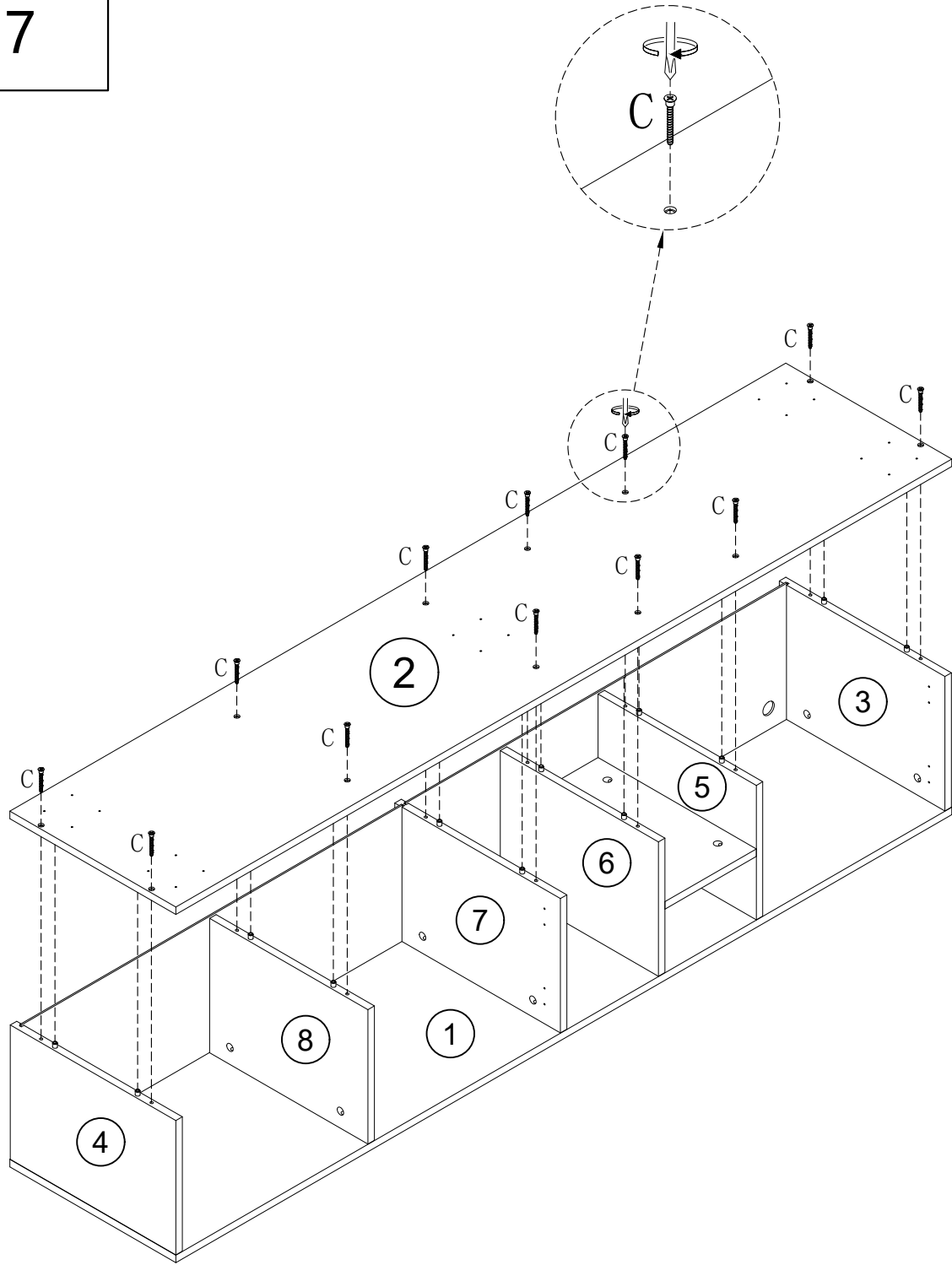


A<sub>2</sub>x12pcs

# Step 6



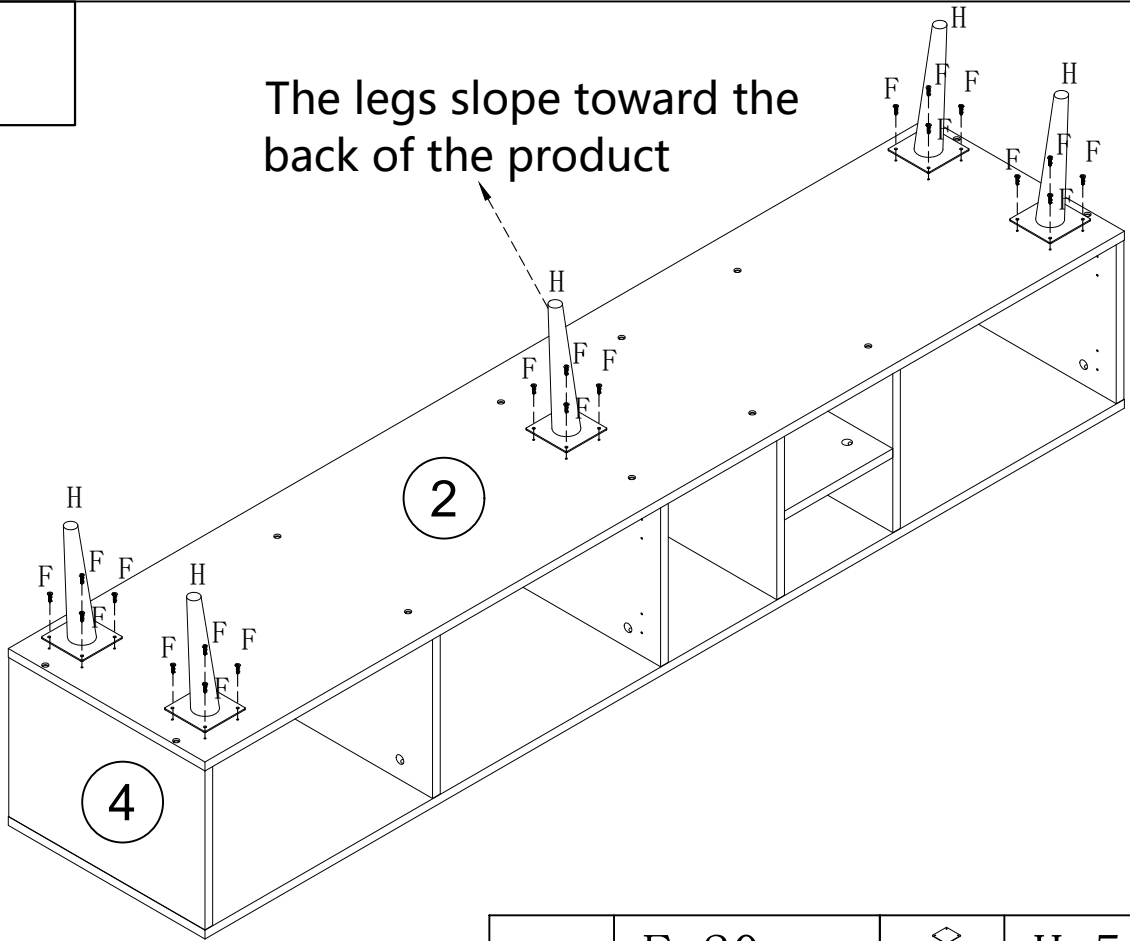
# Step 7





Cx12pcs

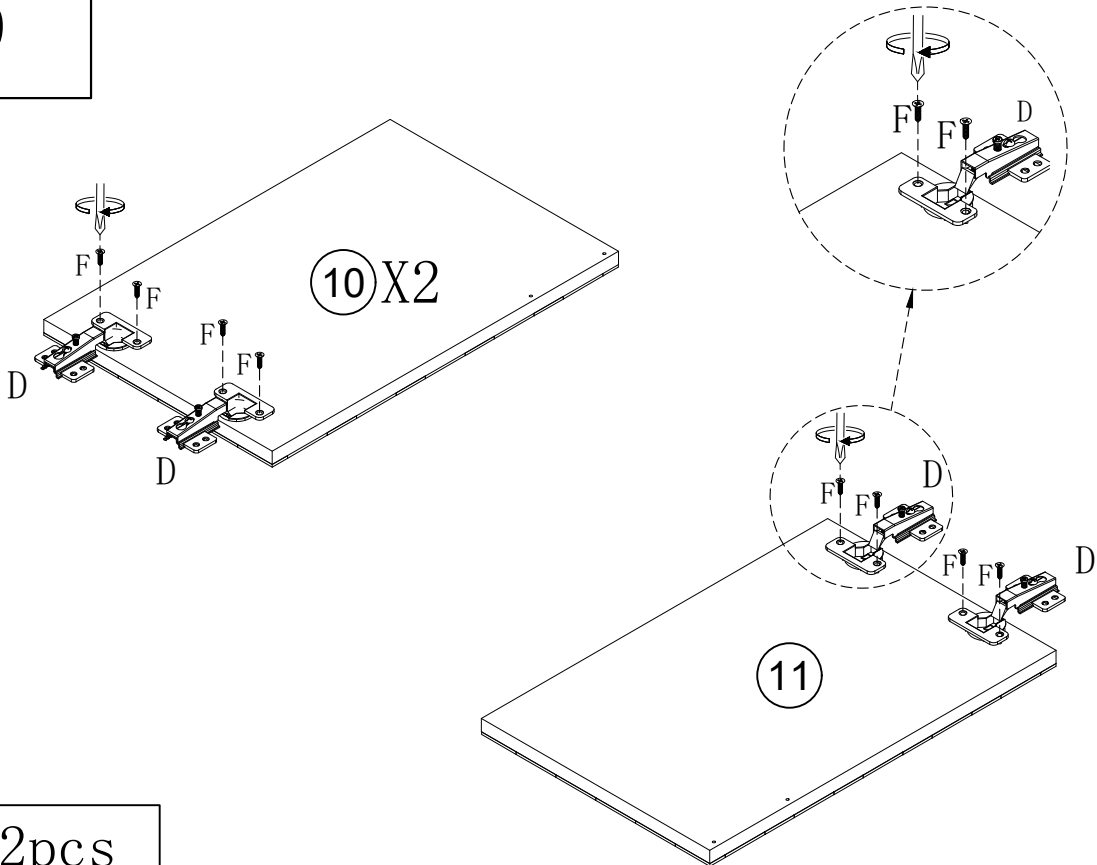
# Step 8



The legs slope toward the back of the product



	Fx20pcs		Hx5pcs
---	---------	---	--------

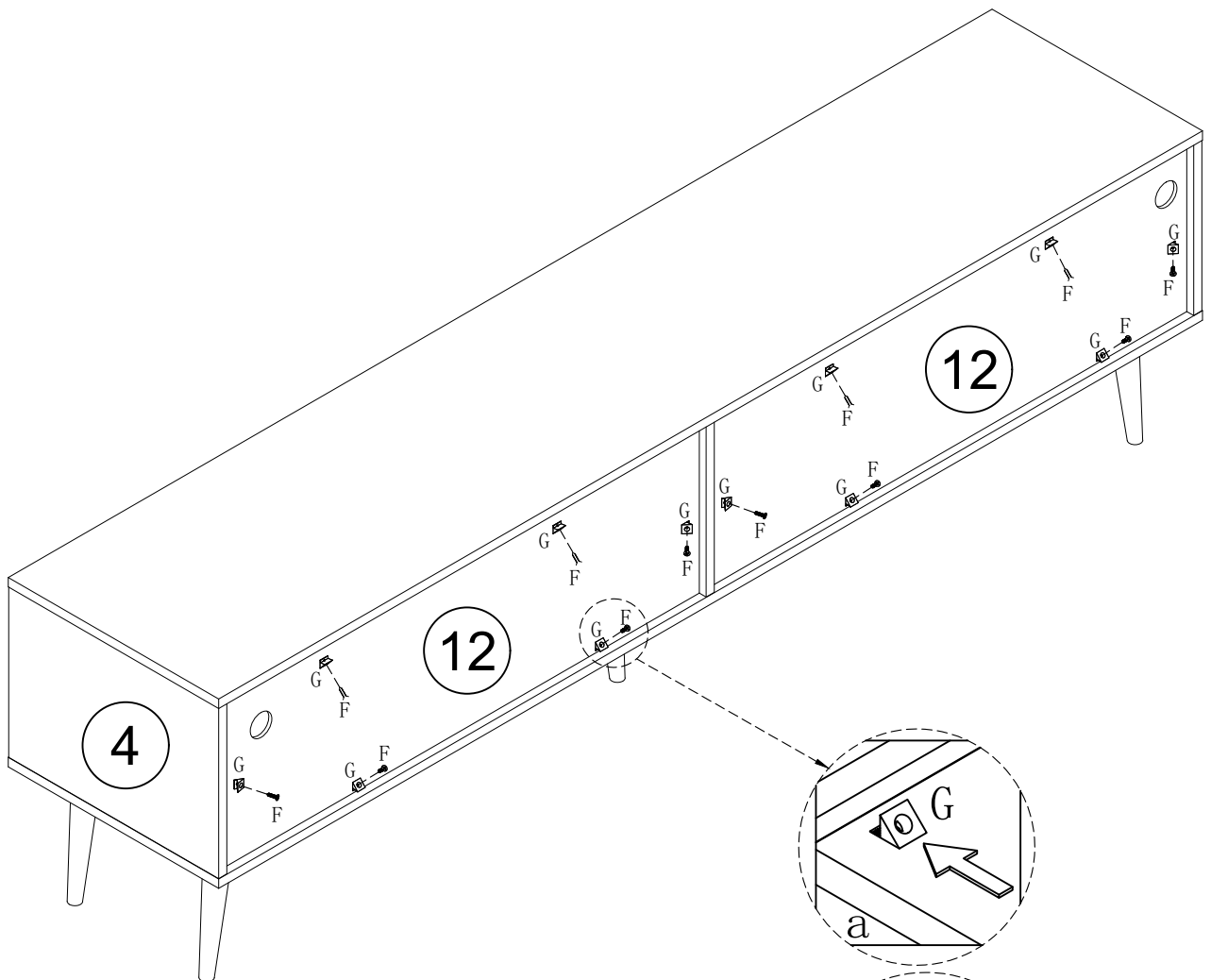
# Step 9



	Fx12pcs
	Dx6pcs

# Step 10

After the completion of step 8, the cabinet needs to be turned over 180° to facilitate the installation of hardware G and F, It takes two people to flip and be safe!

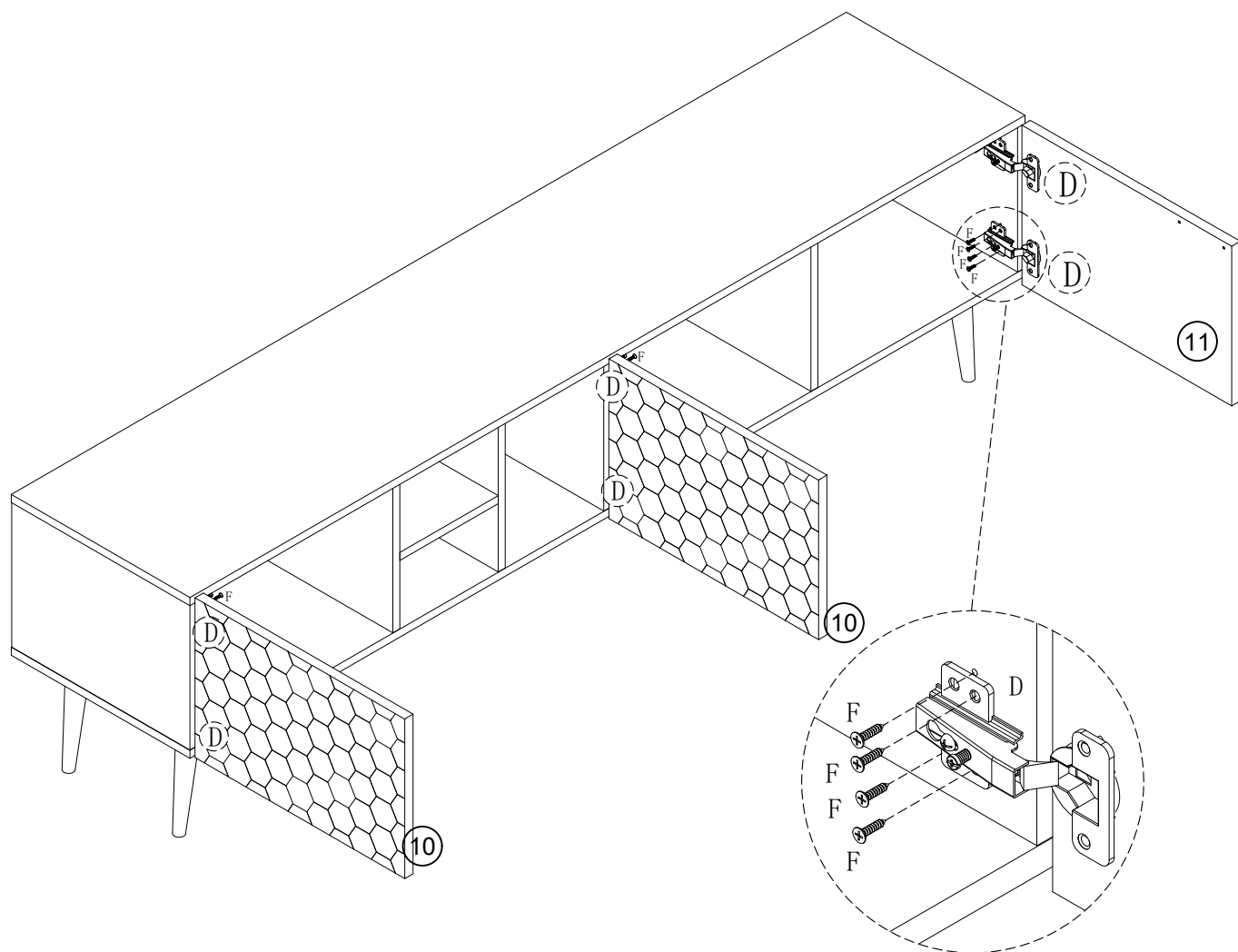


Fx12pcs



Gx12pcs

# Step 11

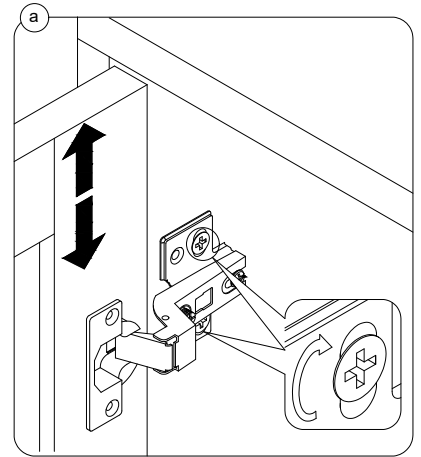


Fx24pcs

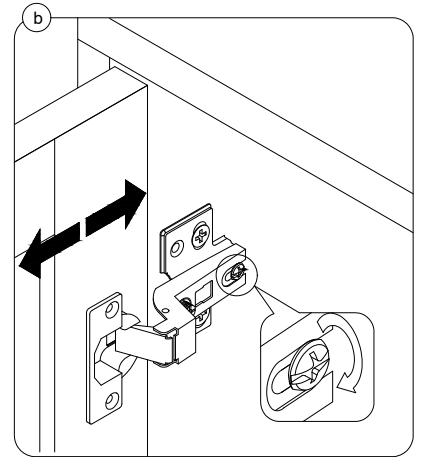
If the door can't close, please adjust the hinges.

## Step 12

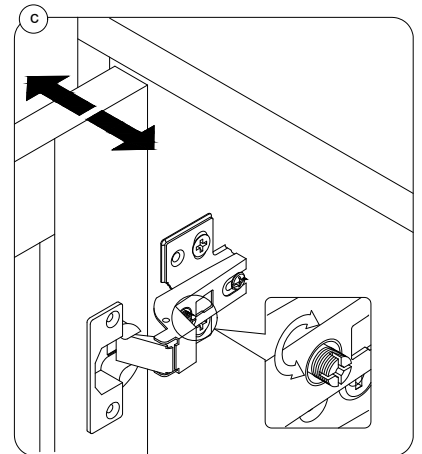
To adjust the door vertically loosen the screw as shown and move up and down as needed.



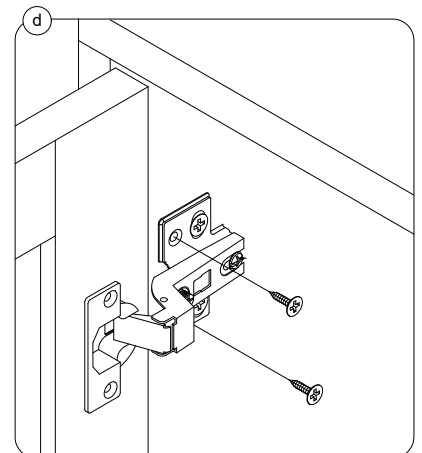
To adjust the gap from the door to the main frame turn the screw clockwise or anti-clockwise as needed.



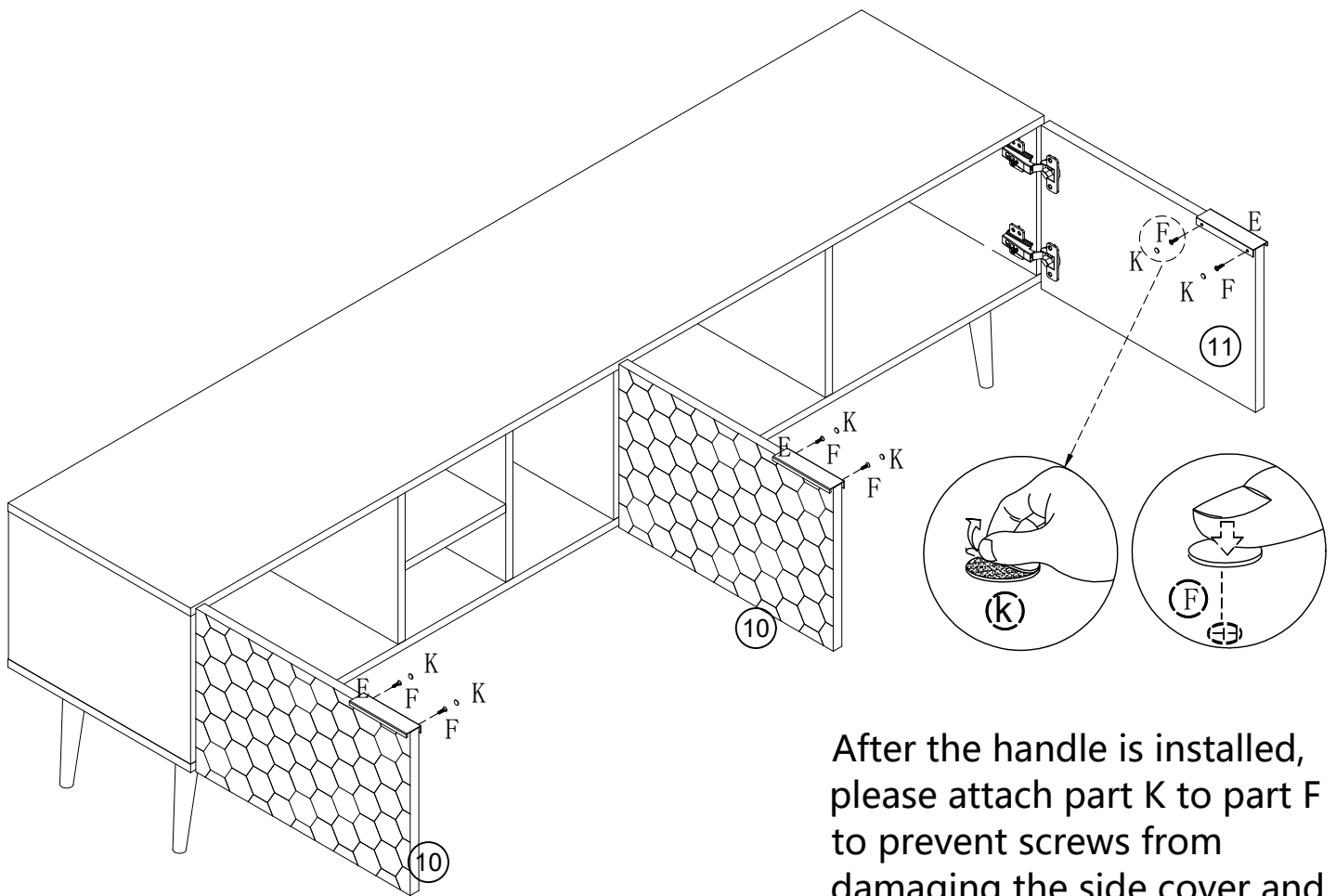
To adjust the door laterally adjust the screw as shown by turning clockwise or anti-clockwise.




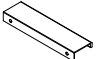
Please fix other screws




# Step 13



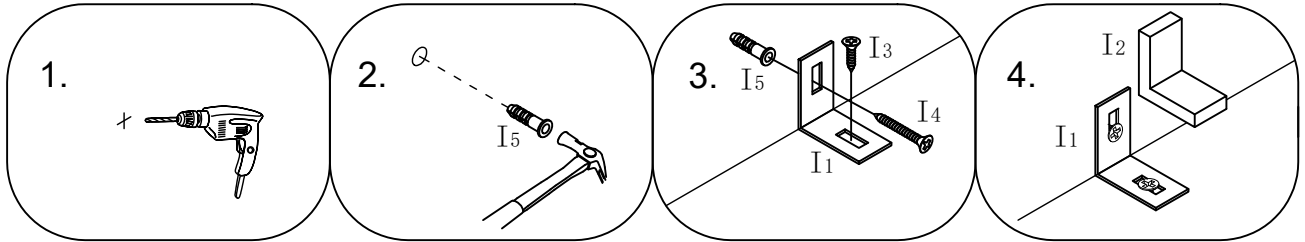
After the handle is installed, please attach part K to part F to prevent screws from damaging the side cover and affecting the appearance!

	Fx6pcs
	Ex3pcs

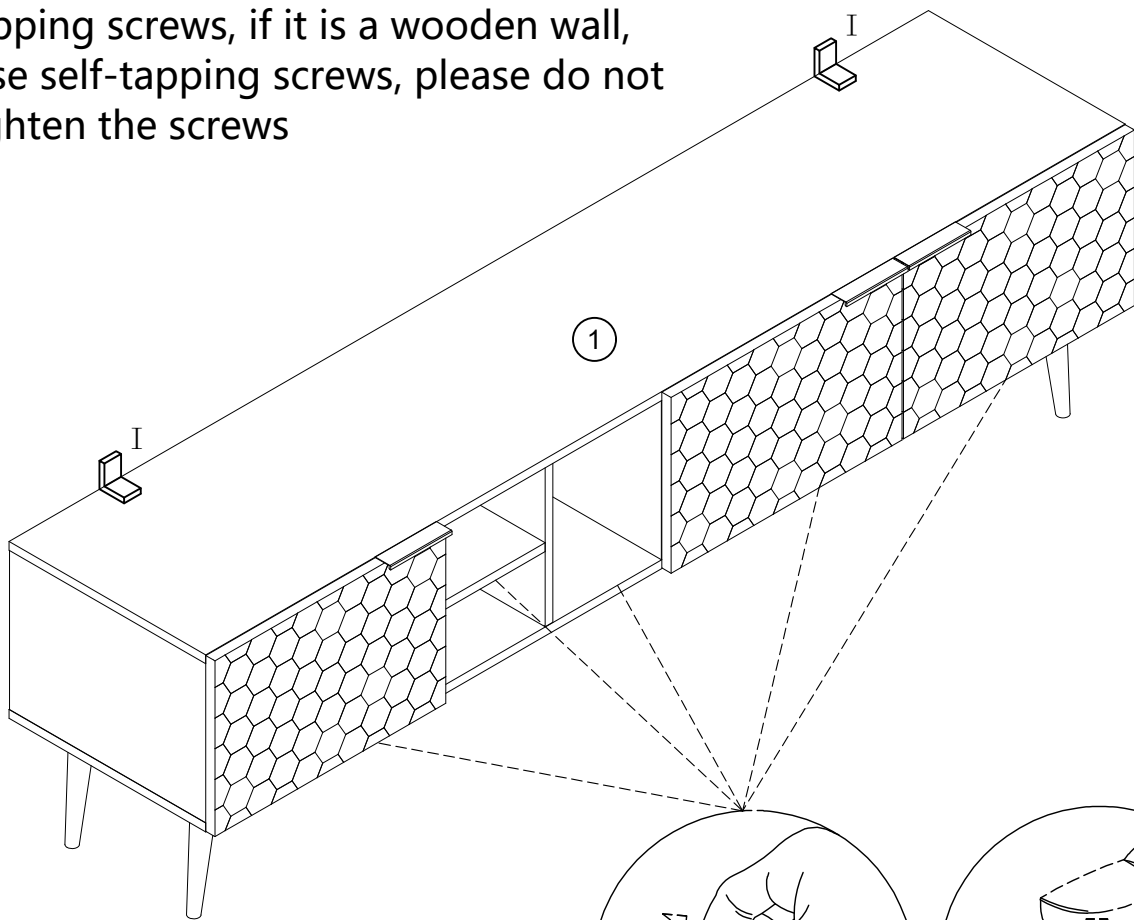
	Kx6pcs
---	--------



# Step 14



If it is a solid wall, please use expansion and self-tapping screws, if it is a wooden wall, only use self-tapping screws, please do not overtighten the screws



After the product is installed, please install the accessory L to the hardware A2 for the sake of beauty.

	I <sub>1</sub> x2pcs		I <sub>3</sub> x2pcs		Lx16pcs
	I <sub>2</sub> x2pcs		I <sub>4</sub> x2pcs		I <sub>5</sub> x2pcs

# Step 15

