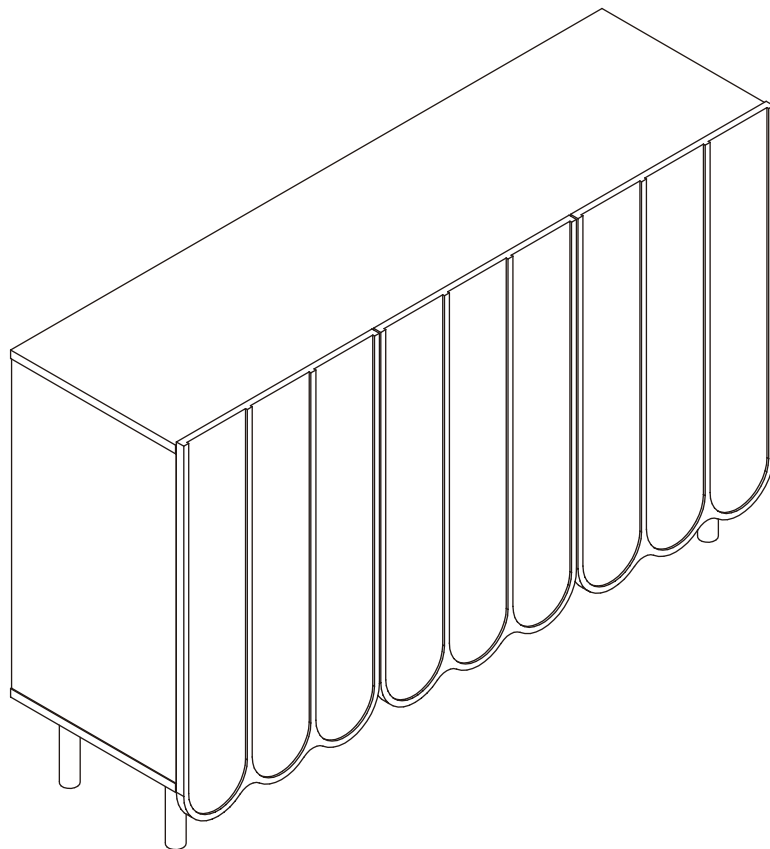


# End Table

Assembly Instructions - Please keep for future reference



## Dimensions

Width-47.2inch

Depth-13.8inch

Height-31.8inch

Important – Please read these instructions fully before starting assembly



# Safety and Care Advice

**Important – Please read these instructions fully before starting assembly**

- Check you have all the components and tools listed on the following pages.
- Remove all fittings from the plastic bags and separate them into their groups.
- Keep children and animals away from the work area, small parts could choke if swallowed.
- Make sure you have enough space to layout the parts before starting.

- During assembly do not stand or put weight on the product, this could cause damage.
- Assemble the item as close to its final position (in the same room) as possible.
- Assemble on a soft level surface to avoid damaging the unit or your floor.
- Parts of the assembly will be easier with 2 people.



power drill is set on a low torque setting.

- To reduce the likelihood of damaging your product please ensure that your

## Care and maintenance

- Only clean using a damp cloth and mild detergent, do not use bleach or abrasive cleaners.

- From time to time check that there are no loose screws on this unit.

- This product should not be discarded with household waste. Take to your local authority waste disposal centre.

## Handy Hints

- Assemble all parts and bolts loosely during assembly, only once the product is complete should you fully tighten the bolts

- Regularly check and ensure That all bolts and fittings are tightend properly.

## **WARNING**

**In order to help prevent overturning – please follow these instructions**

To help prevent product toppling over please follow the below steps:-

- Use the anti tip stap or wall fixing method provided (if applicable)
- Do not allow children to climb or hang on the furniture
- Do not open more than one drawer at a time
- Do not place heavy items in the top drawers
- Do not place heavy items on top of the furniture, unless the furniture has been designed for this purpose

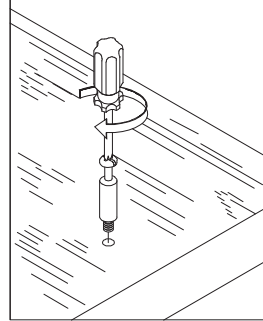
# Using Camlocks

## Step 1

Connect the male camlock as directed in the assembly instructions using a screwdriver.

1

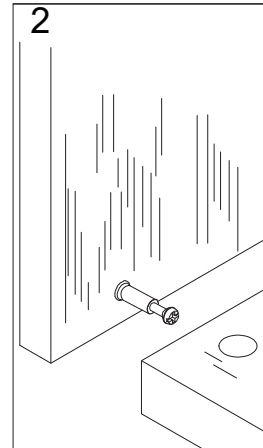
DO NOT OVER TIGHTEN.  
NE PAS SERRER EXCESSIVEMENT.



## Step 2

Push the male camlock into the entry hole.

2

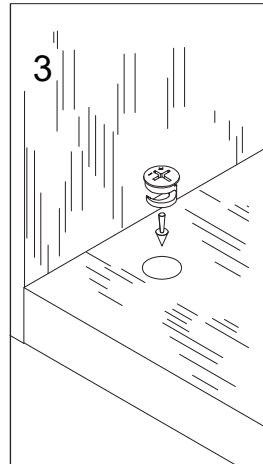


## Step 3

Insert the female camlock as shown in the instruction.

Note: ensure that the arrow on the top of the camlock points towards the entry hole for the male camlock.

3



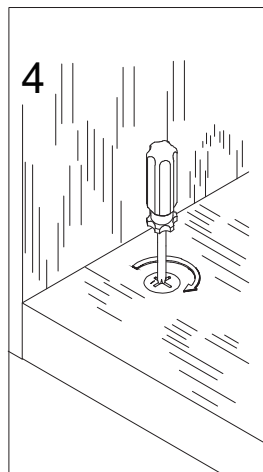
## Step 4

Turn the female camlock clockwise with a screwdriver.

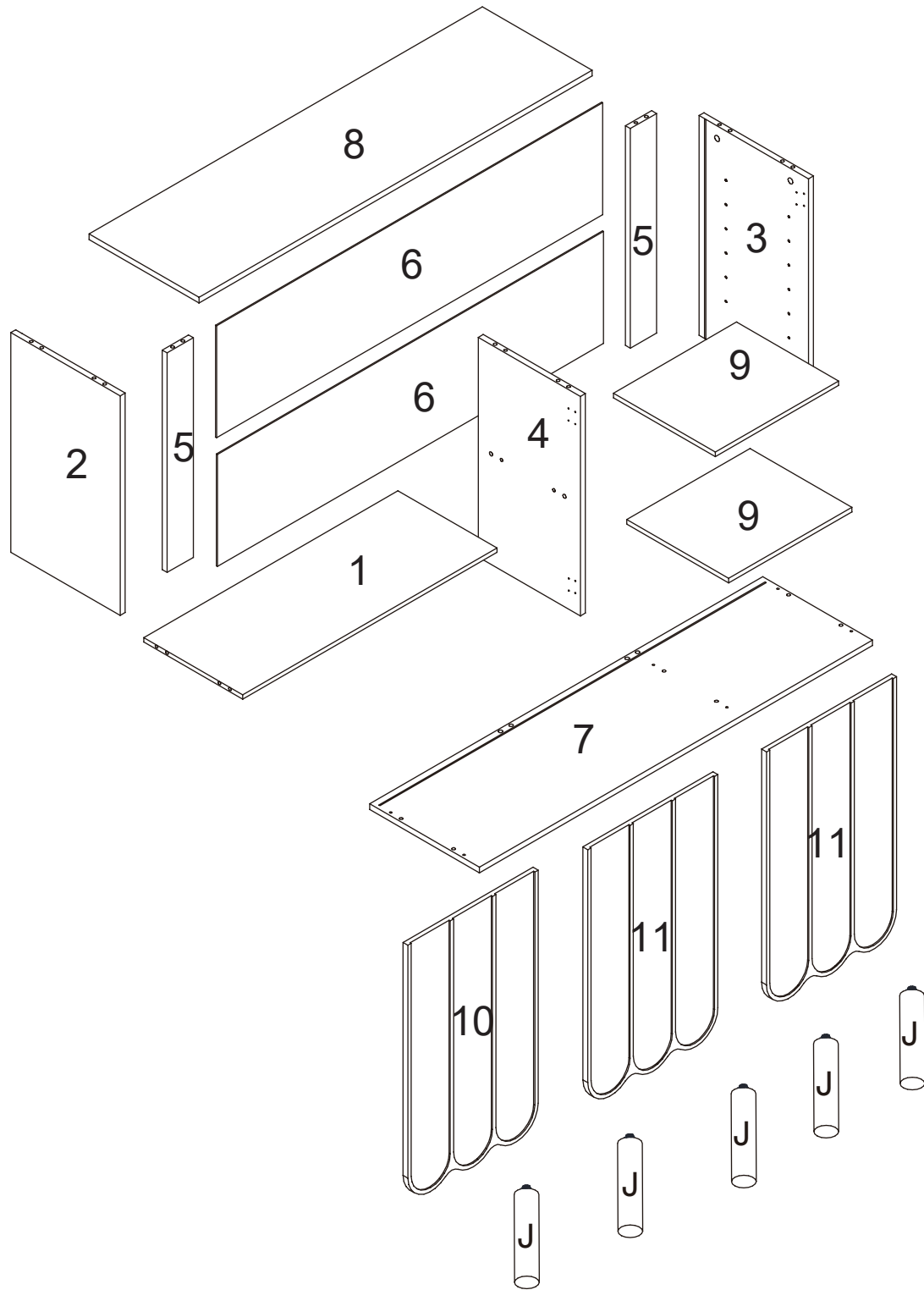
You should feel a click when the camlock is locked in place.

The joint is now secure.

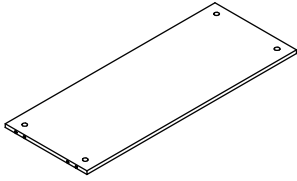
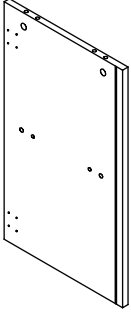
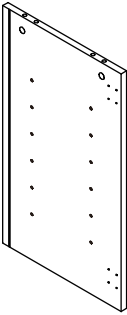
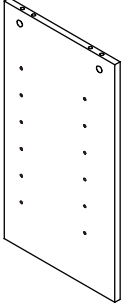
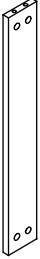
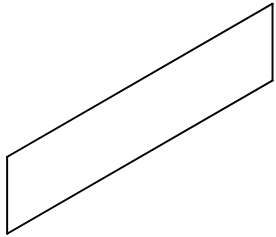
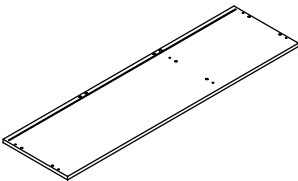
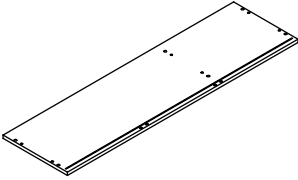
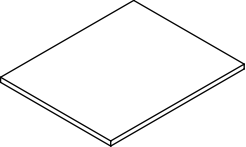
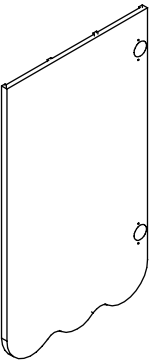
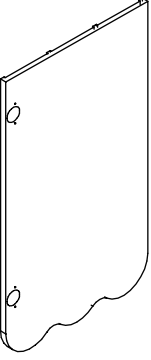
4



# Assembly Instructions



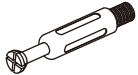

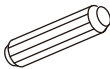

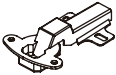
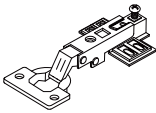




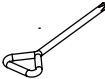
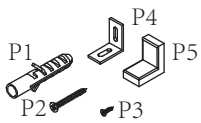

# Assembly Instructions

			
① x 1	② x 1	③ x 1	④ x 1
			
⑤ x 2	⑥ x 2	⑦ x 1	⑧ x 1
			
⑨ x 2	⑩ x 1	⑪ x 2	

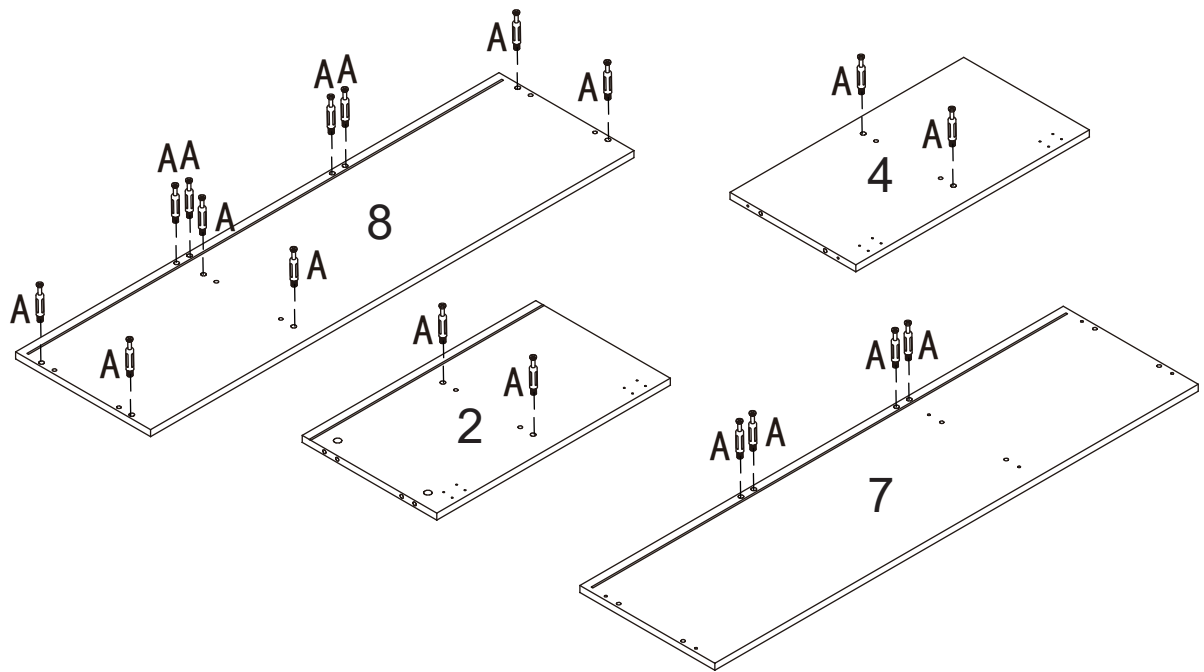
# Components-Fittings

Please check you have all the panels listed below

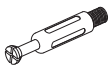
Note: The quantities below are the correct amount to complete the assembly. In some cases more fittings may be supplied than are required.

<p><b>(A)</b></p>  <p>Cam Bolt x 18+2</p>	<p><b>(B)</b></p>  <p>Cam Lock x 18+2</p>	<p><b>(C)</b></p>  <p>8*30mm Dowel x 16+2</p>	<p><b>(D)</b></p>  <p>5*40mm Screw x 6+1</p>
<p><b>(E)</b></p>  <p>Hinge x 2</p>	<p><b>(F)</b></p>  <p>Hinge x 4</p>	<p><b>(H)</b></p>  <p>Back panel buckle x 12+2</p>	<p><b>(J)</b></p>  <p>Anchor x 5</p>
<p><b>(K)</b></p>  <p>Bulkhead Pins x 8+1</p>	<p><b>(M)</b></p>  <p>Perfect Fit x 14+4</p>	<p><b>(N)</b></p>  <p>Screwdriver x 1</p>	<p><b>(P)</b></p>  <p>Anti dumping x 2 set</p>
<p><b>(Q)</b></p>  <p>3.5*12mm Screw x 36+2</p>			

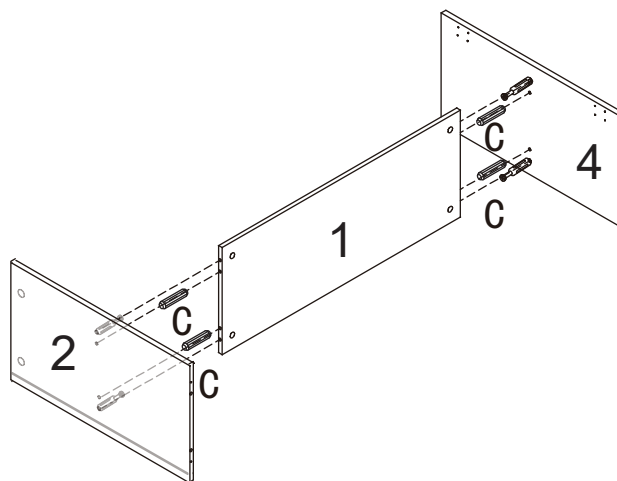
# 1.



A\*18



# 2.

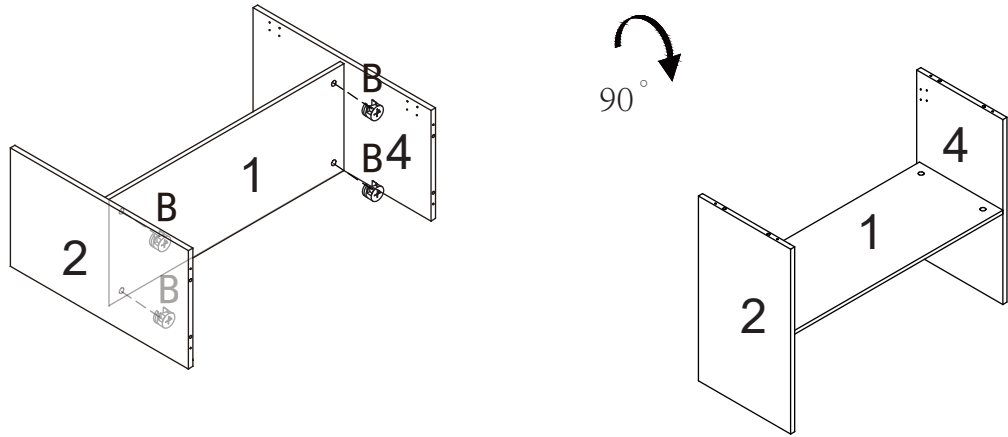


C\*4



∅8 x 30 mm

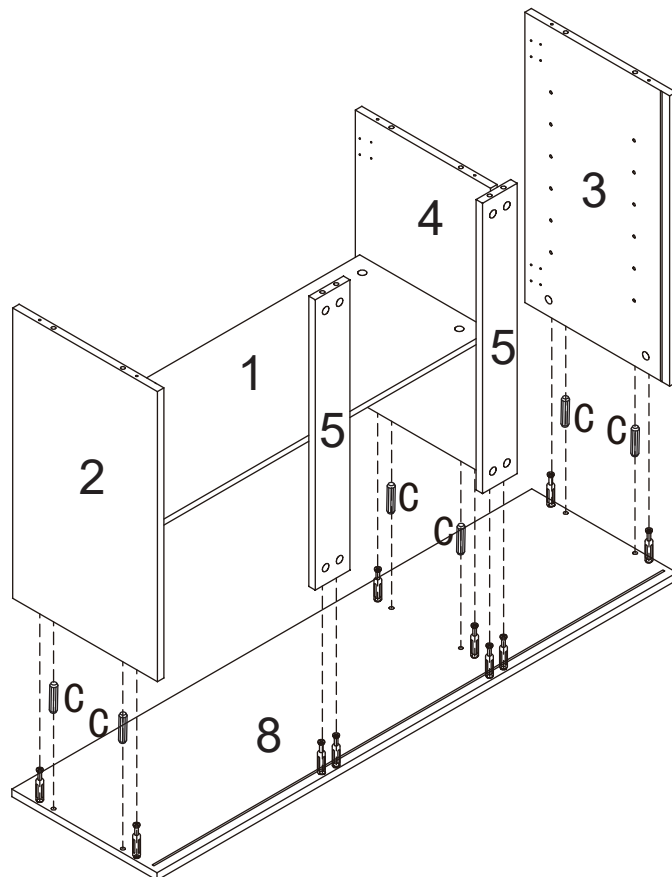
# 3.



B\*4



# 4.



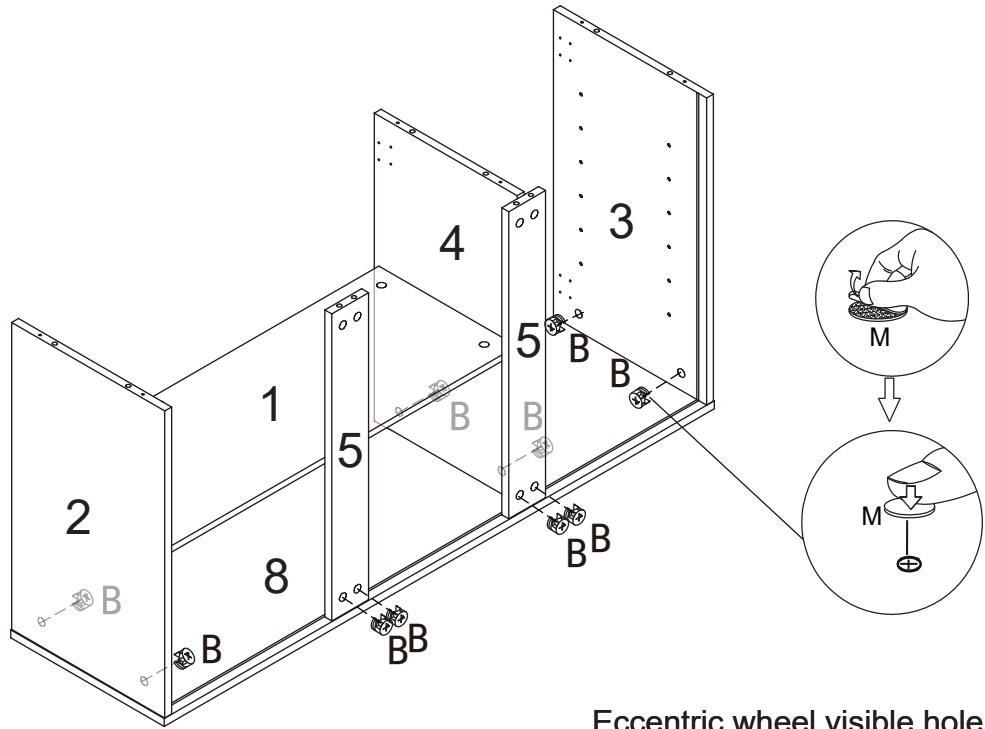
C\*6



∅8 x 30 mm



# 5.



Eccentric wheel visible hole sticker perfectly fits M

Le trou visible de la roue excentrique est parfaitement collé avec le M

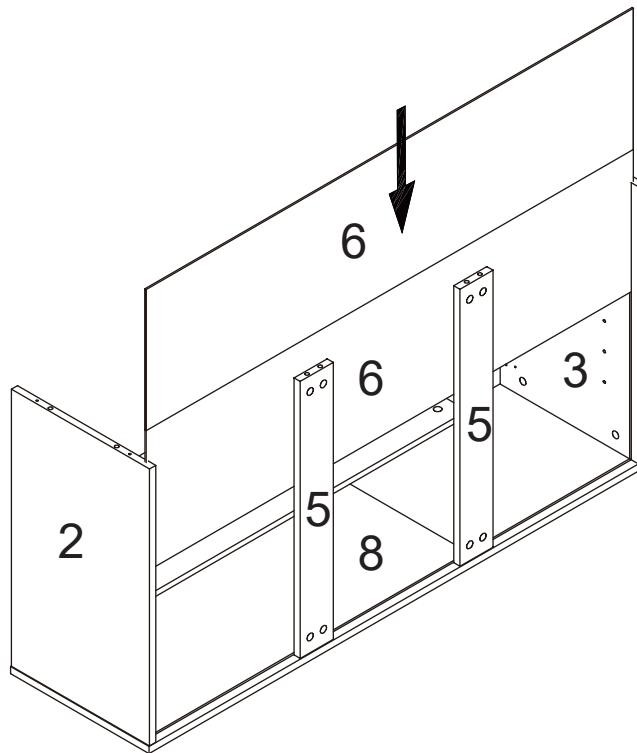
B\*10



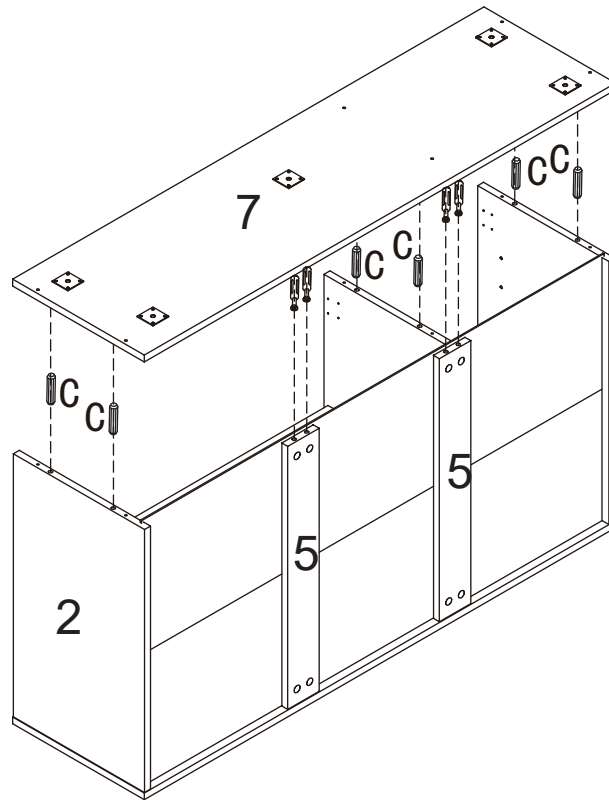
M\*10



# 6.



# 7.

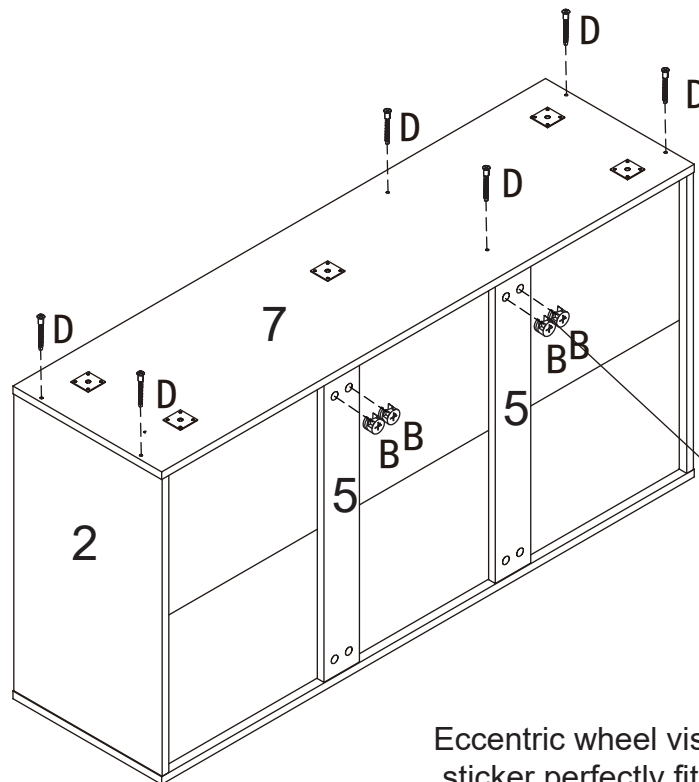


C\*6



∅8 x 30 mm

# 8.



Eccentric wheel visible hole  
sticker perfectly fits M

Le trou visible de la roue excentrique  
est parfaitement collé avec le M

D\*6



∅5 x 40 mm

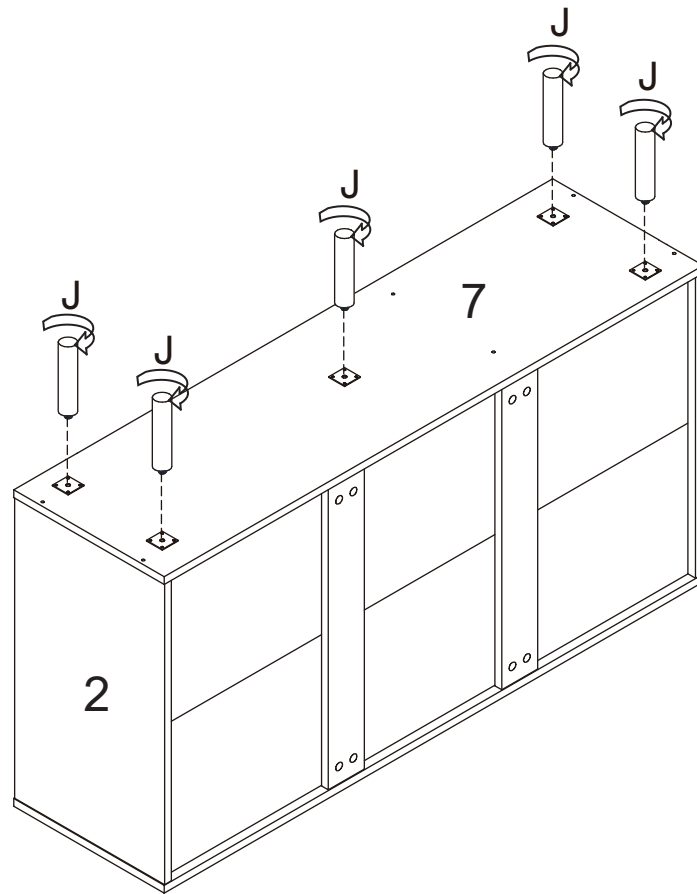
M\*4



B\*4



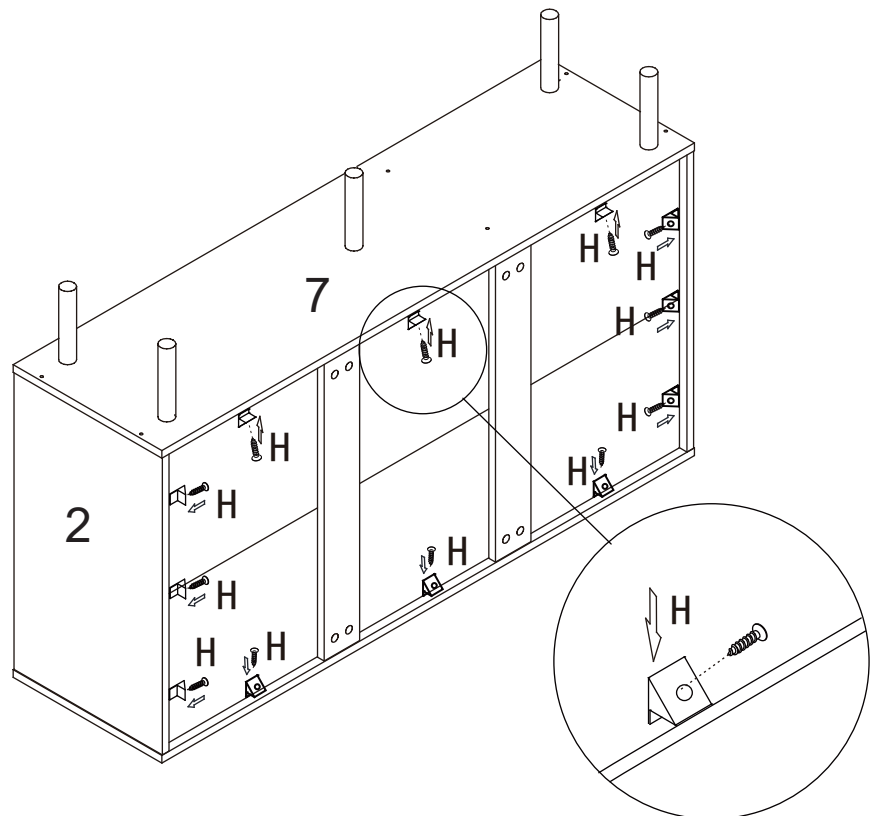
# 9.



J\*5



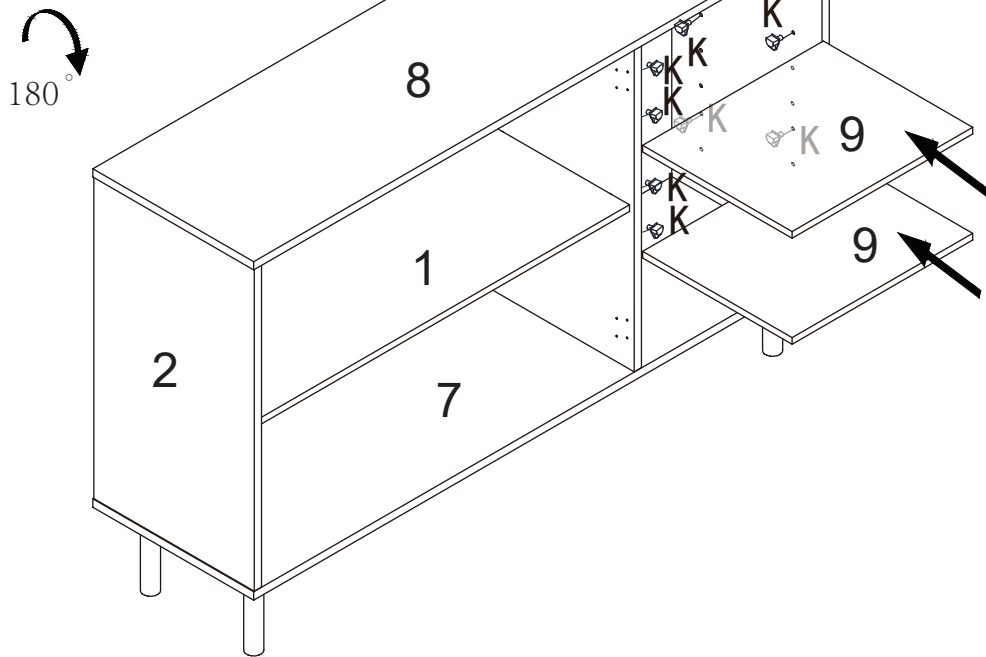
# 10.



H\*12



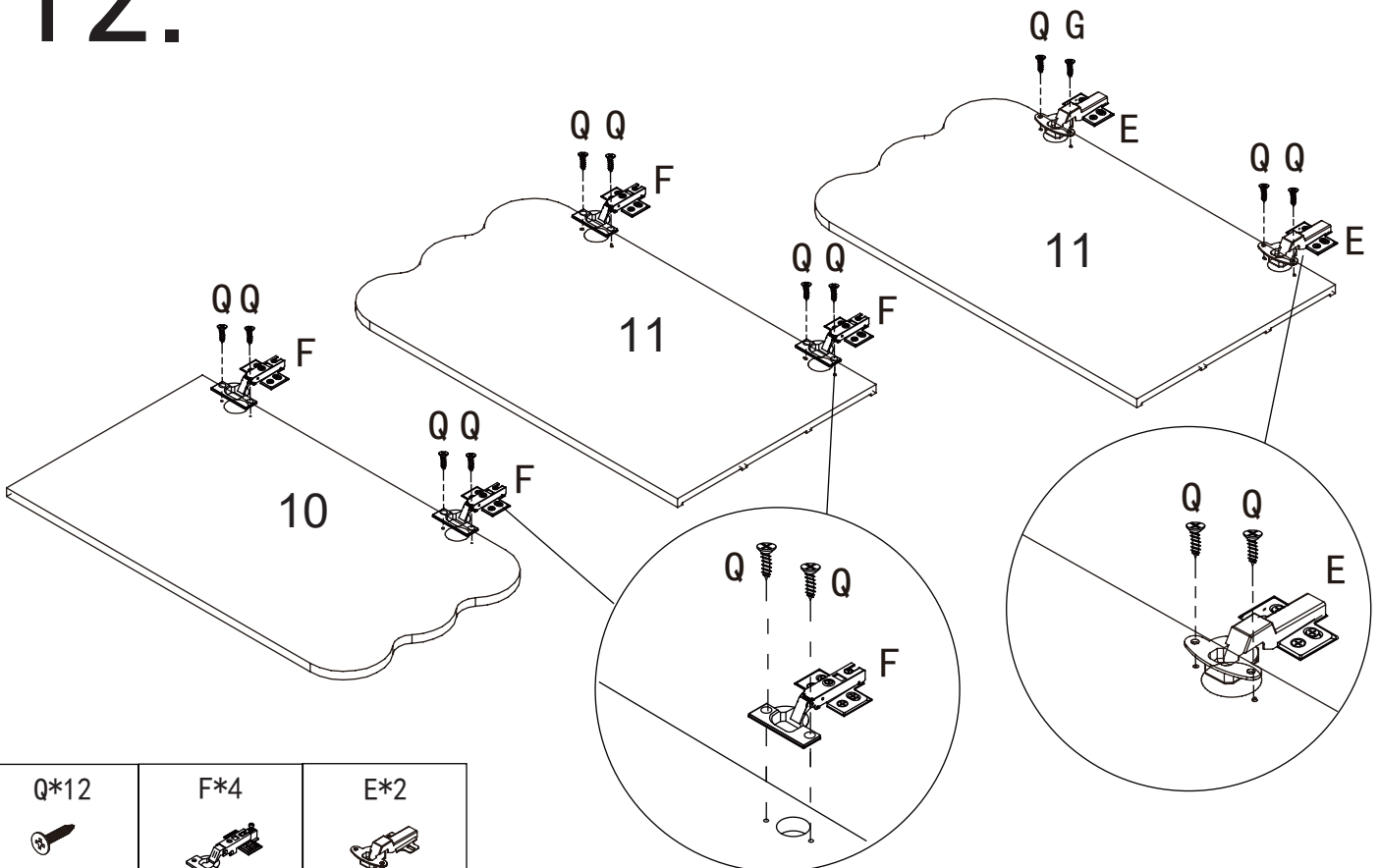
# 11.



K\*8



# 12.



Q\*12



Ø 3.5 x 12 mm

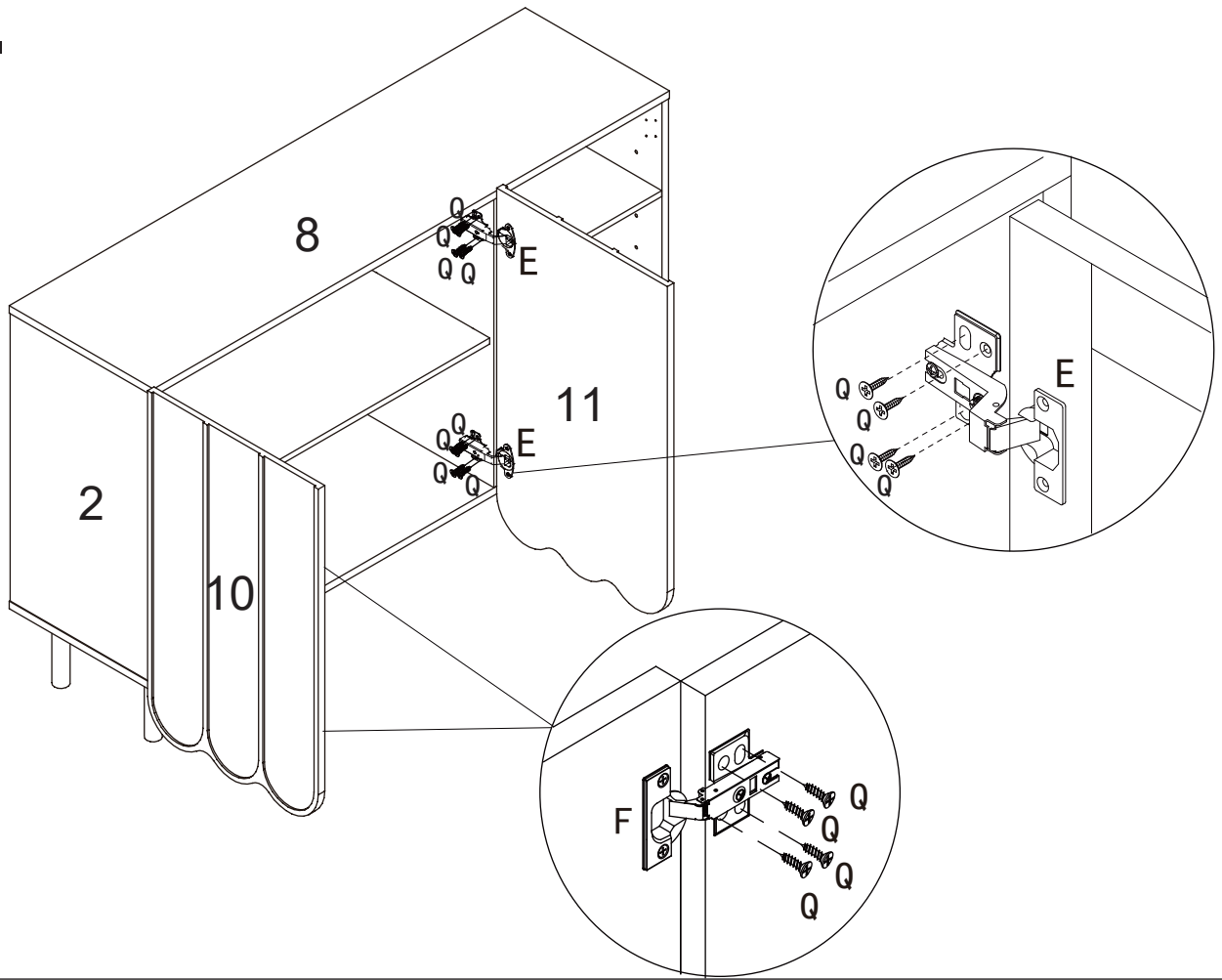
F\*4



E\*2



# 13.

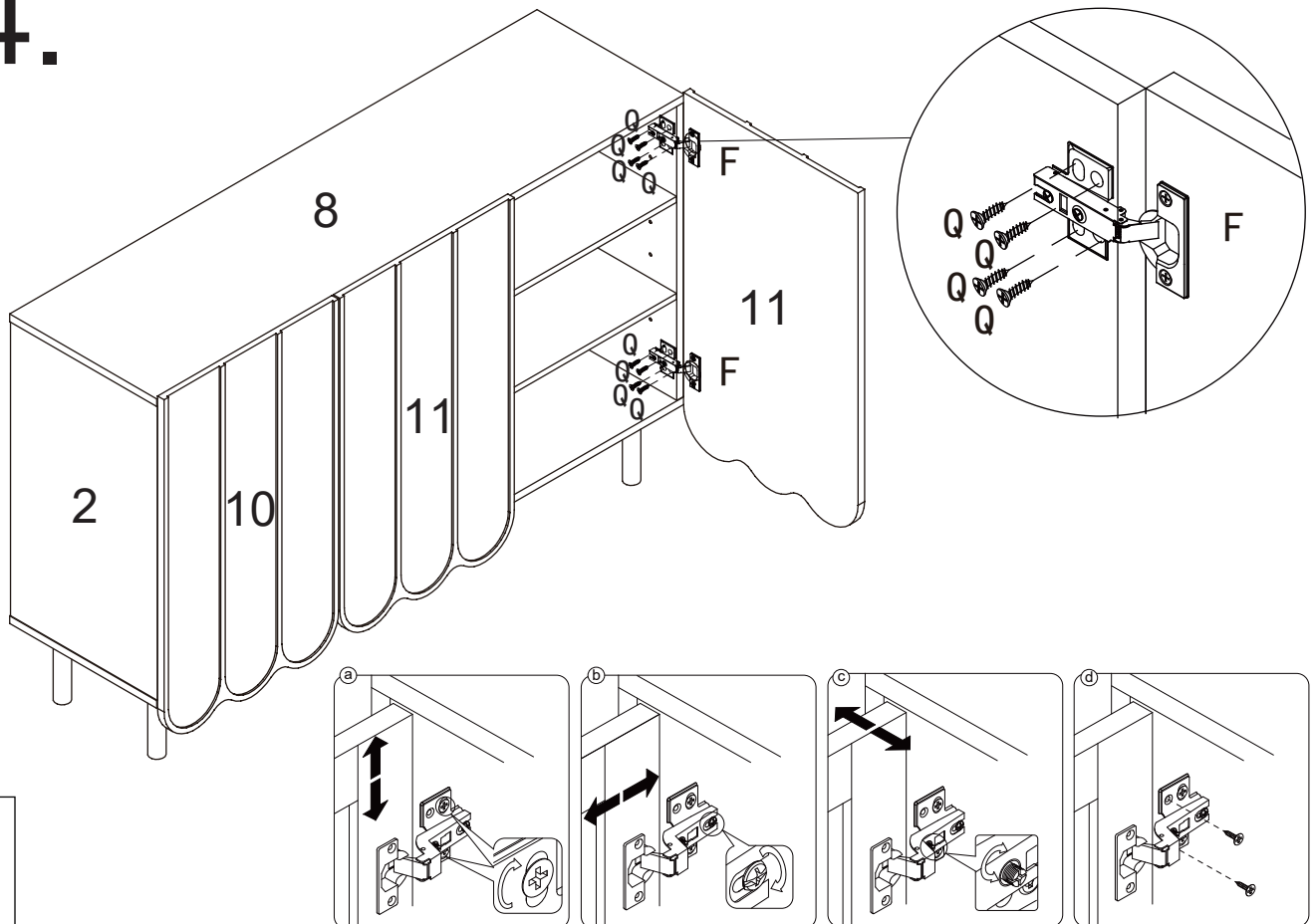


Q\*16



∅3.5 x 12 mm

# 14.

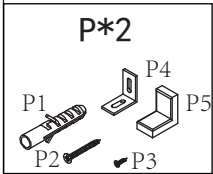
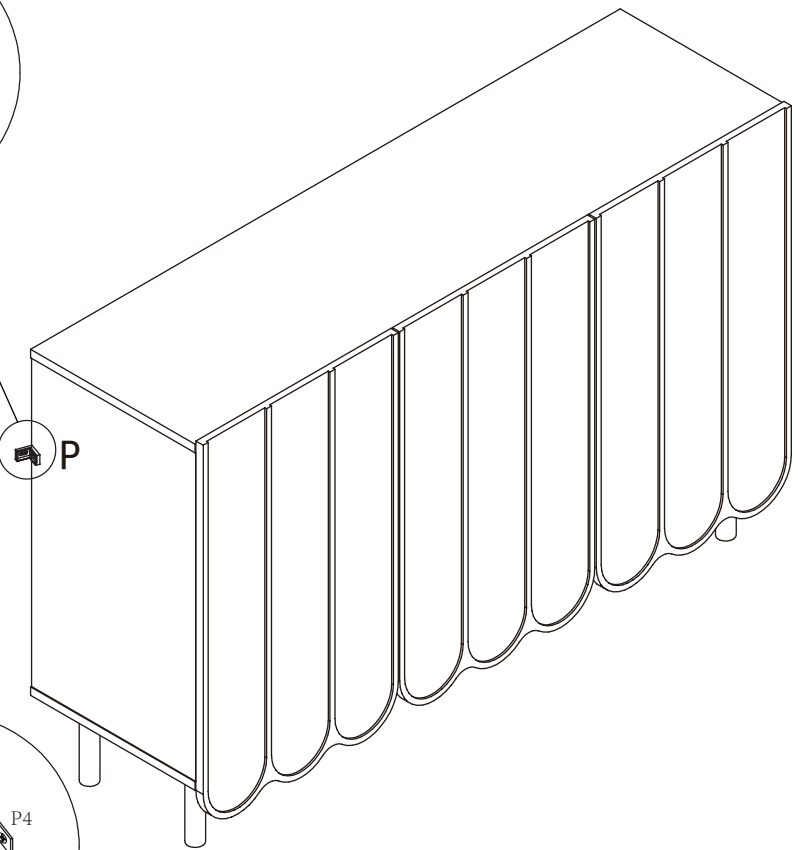
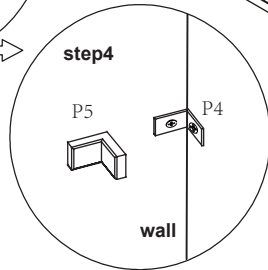
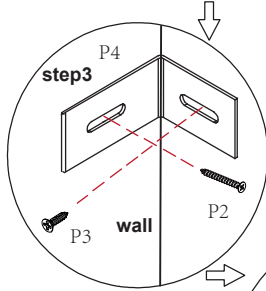
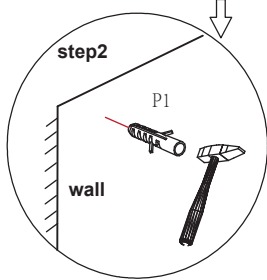
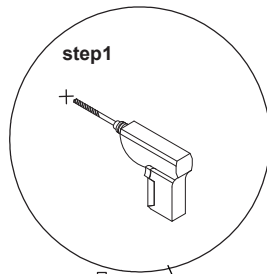


Q\*8



∅3.5 x 12 mm

# 15.



# 16.

