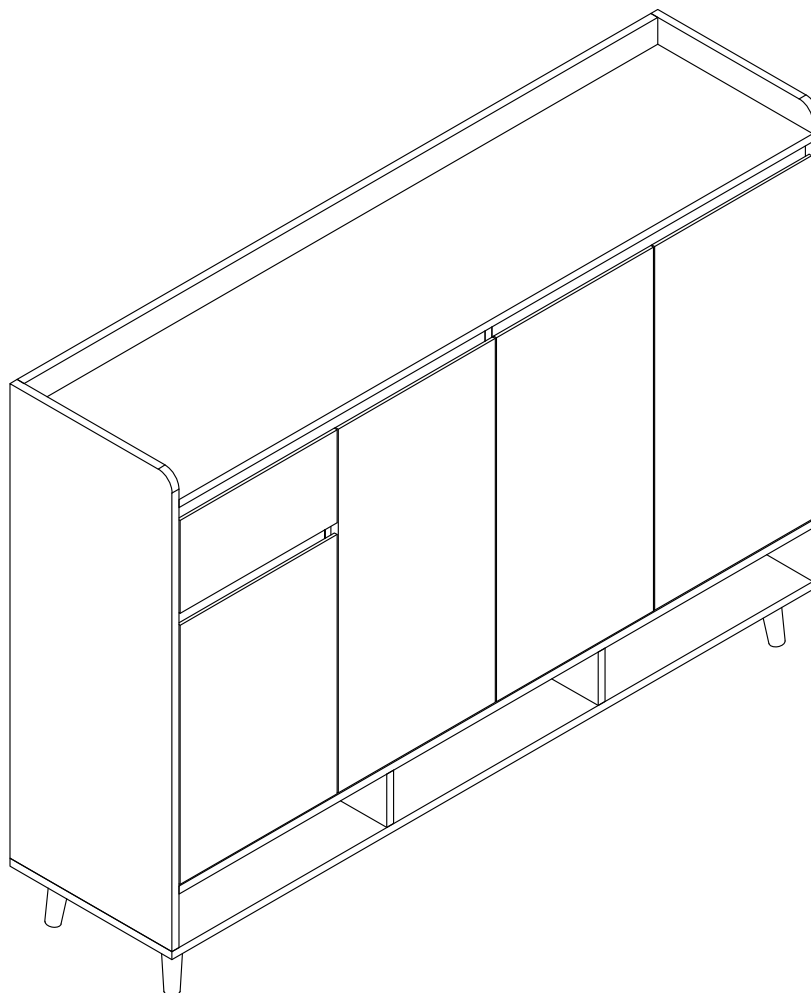


# Shoe Cabinet

Assembly Instructions - Please keep for future reference



## Dimensions

Width-55.12inch

Depth-13.78inch

Height-39.37inch

Important – Please read these instructions fully before starting assembly



# Safety and Care Advice

**Important – Please read these instructions fully before starting assembly**

- Check you have all the components and tools listed on the following pages.
- Remove all fittings from the plastic bags and separate them into their groups.
- Keep children and animals away from the work area, small parts could choke if swallowed.
- Make sure you have enough space to layout the parts before starting.

- During assembly do not stand or put weight on the product, this could cause damage.
- Assemble the item as close to its final position (in the same room) as possible.
- Assemble on a soft level surface to avoid damaging the unit or your floor.
- Parts of the assembly will be easier with 2 people.



power drill is set on a low torque setting.

- To reduce the likelihood of damaging your product please ensure that your

## Care and maintenance

• Only clean using a damp cloth and mild detergent, do not use bleach or abrasive cleaners.

• From time to time check that there are no loose screws on this unit.

• This product should not be discarded with household waste. Take to your local authority waste disposal centre.

## Handy Hints

• Assemble all parts and bolts loosely during assembly, only once the product is complete should you fully tighten the bolts

• Regularly check and ensure That all bolts and fittings are tightend properly.

**WARNING**  
**In order to help prevent overturning –**  
**please follow these instructions**

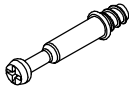

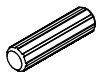

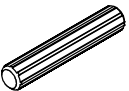

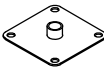


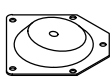
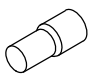
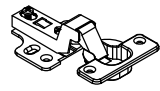
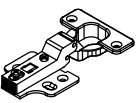
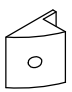

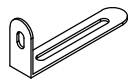

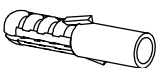



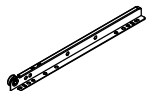
To help prevent product toppling over please follow the below steps:-

- Use the anti tip stap or wall fixing method provided (if applicable)
- Do not allow children to climb or hang on the furniture
- Do not open more than one drawer at a time
- Do not place heavy items in the top drawers
- Do not place heavy items on top of the furniture, unless the furniture has been designed for this purpose

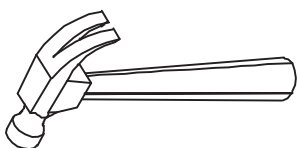
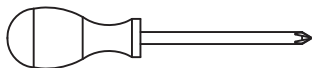
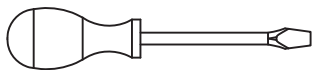
# Components - Fittings

Please check you have all the panels listed below

Note: The quantities below are the correct amount to complete the assembly. In some cases more fittings may be supplied than are required.

 (A) Cam Bolt x 48+3	 (B) Cam lock x 48+3	 (C) Dowel x 36+3	 (D) 4*35mm Screw x 16+1
 (E) Dowel x 1	 (F) 3.5*12mm Screw x 8	 (G) Iron sheet x 2	 (H) Adjusting the feet x 2
 (I) 3.5*14mm Screw x 48+3	 (J) Iron sheet x 4	 (K) Laminated pallet x 12	 (L) Large bend hinge x 4
 (M) Small bend hinge x 4	 (N) Back Panel Buckle x 22	 (O) 3*16mm Screw x 22	 (P) Anti tipping iron sheet x 2
 (Q) 4*12mm Screw x 32	 (R) Plastic expansion x 2	 (CL) 300mm runner x 1	 (CR) 300mm runner x 1
 (DL) 300mm runner x 1	 (DR) 300mm runner x 1		

## Tools required



Phillips screwdriver  
(medium & large)

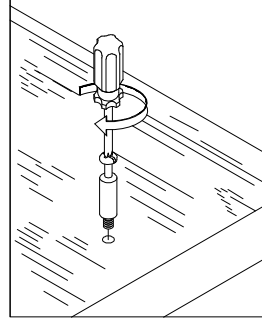
# Using Camlocks

## Step 1

Connect the male camlock as directed in the assembly instructions using a screwdriver.

1

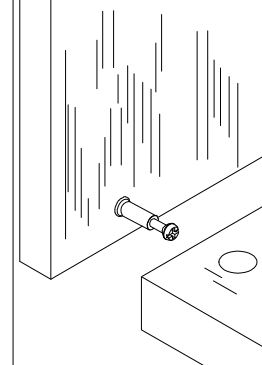
DO NOT OVER TIGHTEN.  
NE PAS SERRER EXCESSIVEMENT.



## Step 2

Push the male camlock into the entry hole.

2

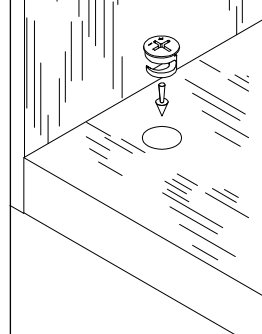


## Step 3

Insert the female camlock as shown in the instruction.

Note: ensure that the arrow on the top of the camlock points towards the entry hole for the male camlock.

3



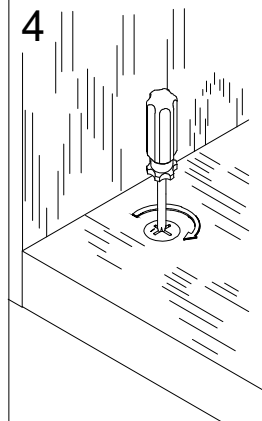
## Step 4

Turn the female camlock clockwise with a screwdriver.

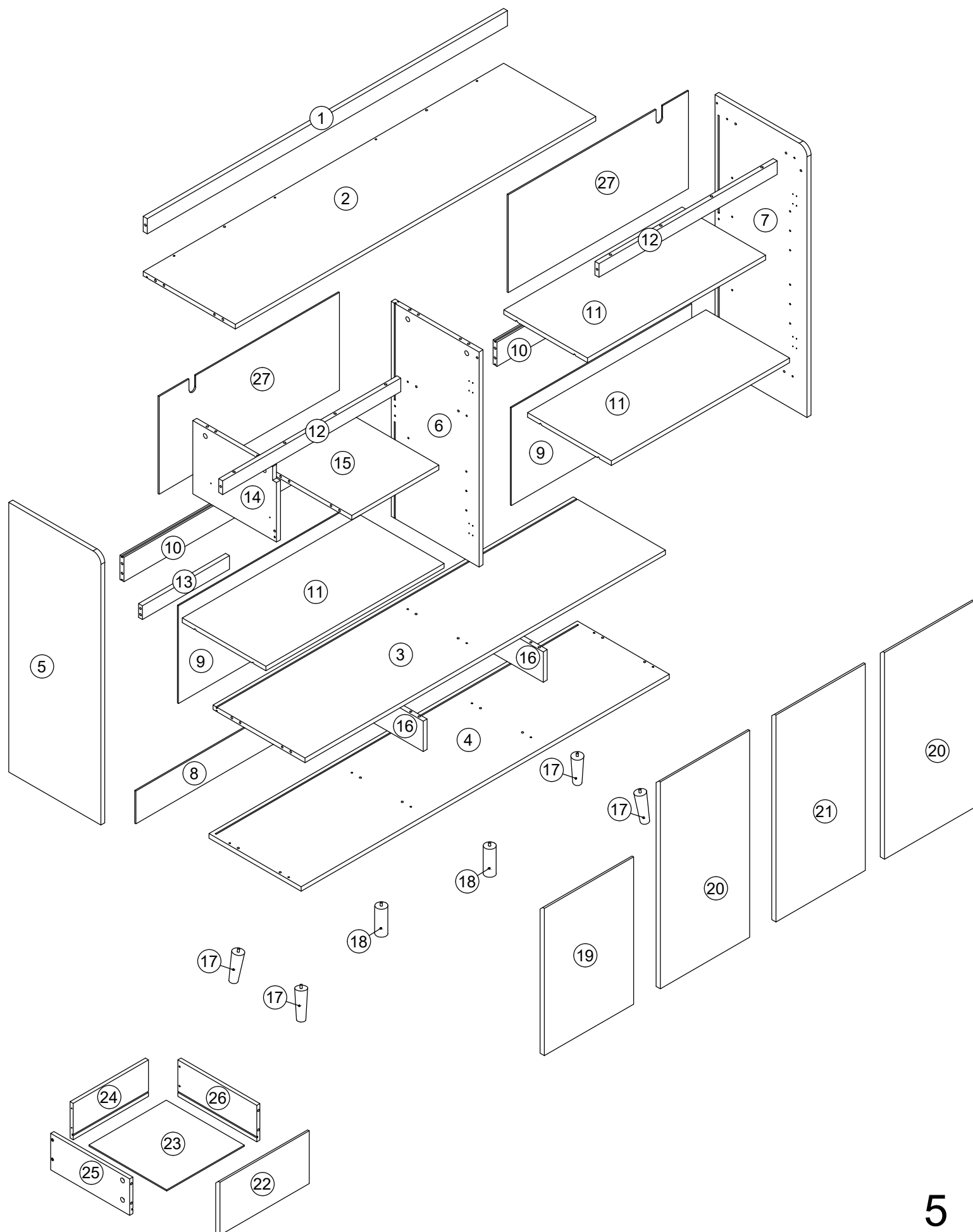
You should feel a click when the camlock is locked in place.

The joint is now secure.

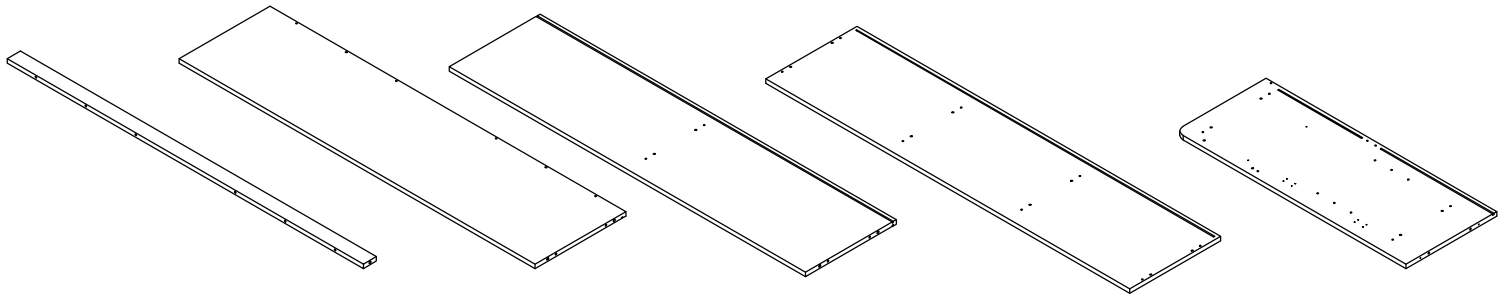
4



# Assembly Instructions



# PART LIST



① X1

Face standing water  
1370x50x15mm

② X1

Panel  
1370x349.5x15mm

③ X1

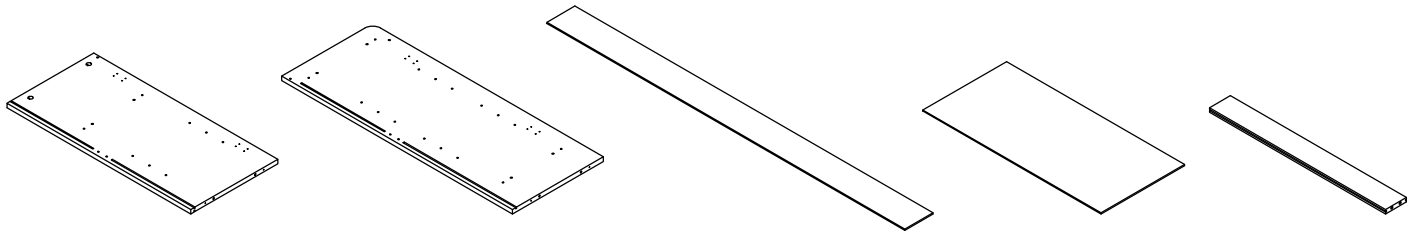
Laminated board  
1370x349.5x15mm

④ X1

Floor  
1402x350x15mm

⑤ X1

Left side panel  
888x350x15mm



⑥ X1

Neutral board  
708x333x15mm

⑦ X1

Right side panel  
888x350x15mm

⑧ X1

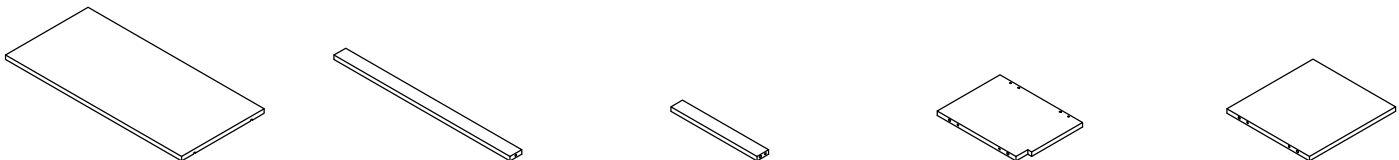
Lower back panel  
295x280x3mm

⑨ X2

Backboard  
686x323x3mm

⑩ X2

Backboard pull rod  
677.5x80x15mm



⑪ X3

Movable Shelf  
676.5x313x15mm

⑫ X2

Front standing water  
677.5x45x15mm

⑬ X1

Draw standing water  
335.5x45x15mm

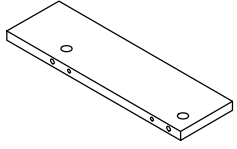
⑭ X1

Left standing board  
241x317x15mm

⑮ X1

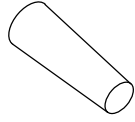
Left layer board  
327x317x15mm

# PART LIST



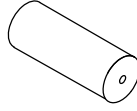
①⑥ X2

Lower upright plate  
100x333x15mm



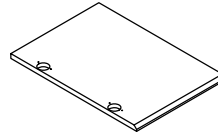
①⑦ X4

Foot  
(35-25)x150mm



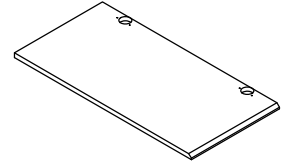
①⑧ X2

Midfoot  
35x145mm



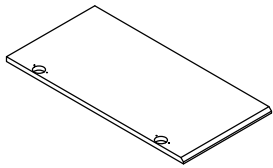
①⑨ X1

Door  
482x340x15mm



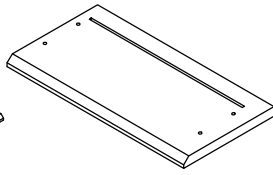
②⑩ X2

Door  
681x340x15mm



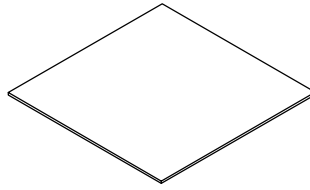
②① X1

Door  
681x340x15mm



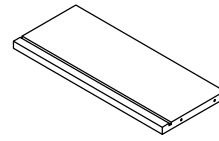
②② X1

Draw panel  
174x340x15mm



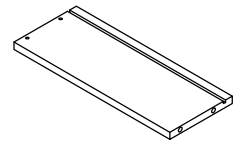
②③ X1

Drawer bottom plate  
295x280x3mm



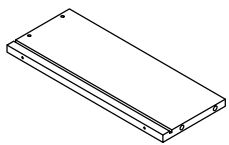
②④ X1

Drawer back panel  
286.5x120x12mm



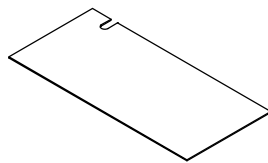
②⑤ X1

Drawer left panel  
300x120x12mm



②⑥ X1

Drawer right panel  
300x120x12mm

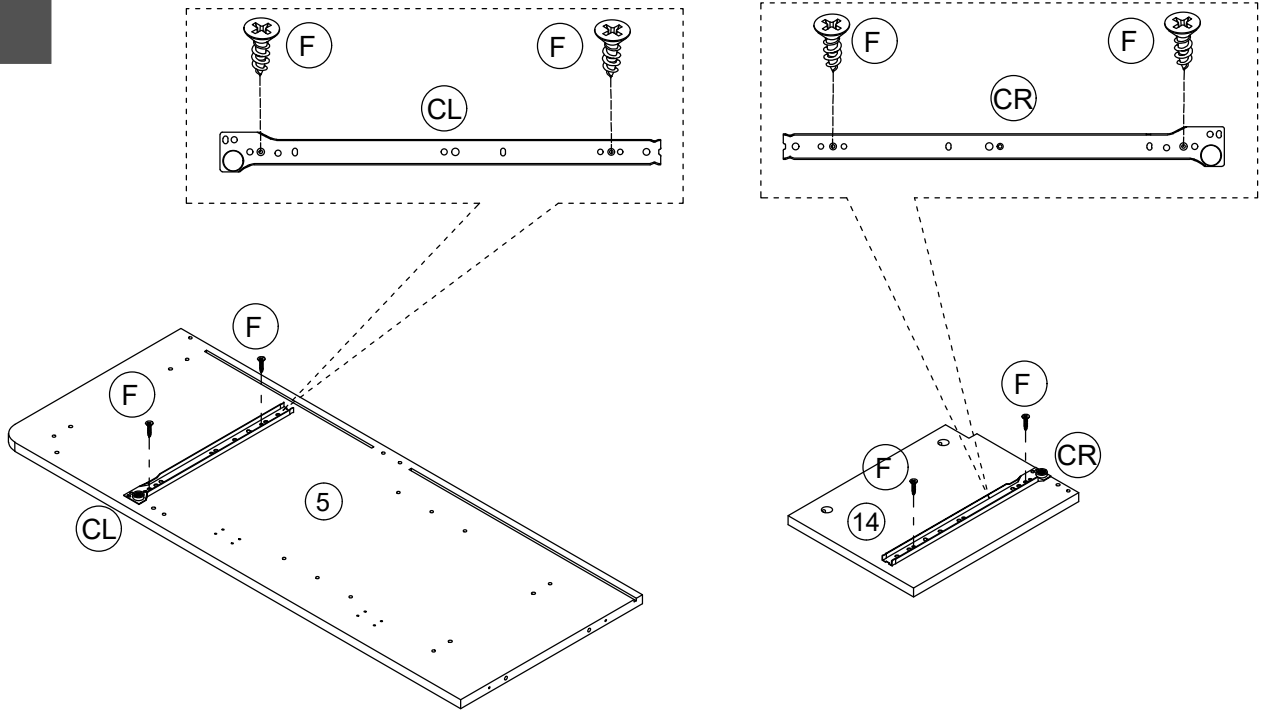


②⑦ X2

Backboard  
686x323x3mm

# Assembly Instructions

## Step 1



(F)



3.5\*12mm Screw x 4

(CL)



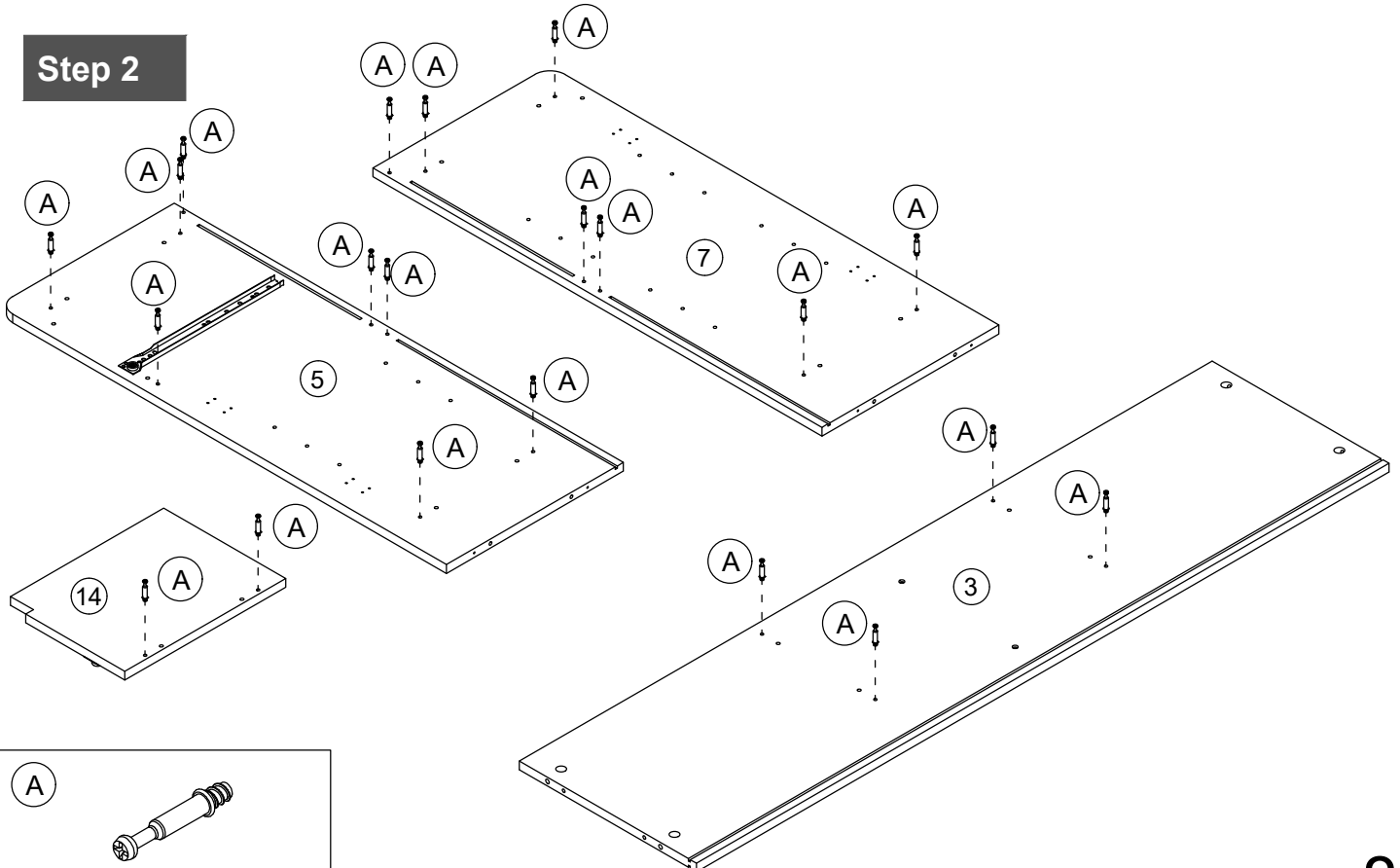
300mm runner x 1

(CR)

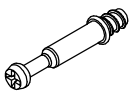


300mm runner x 1

## Step 2



(A)

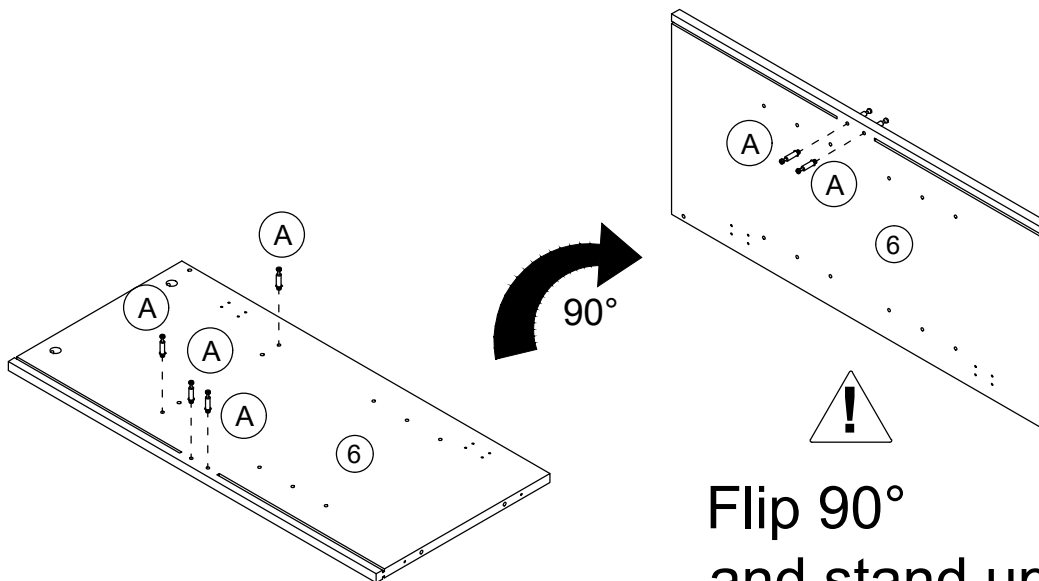
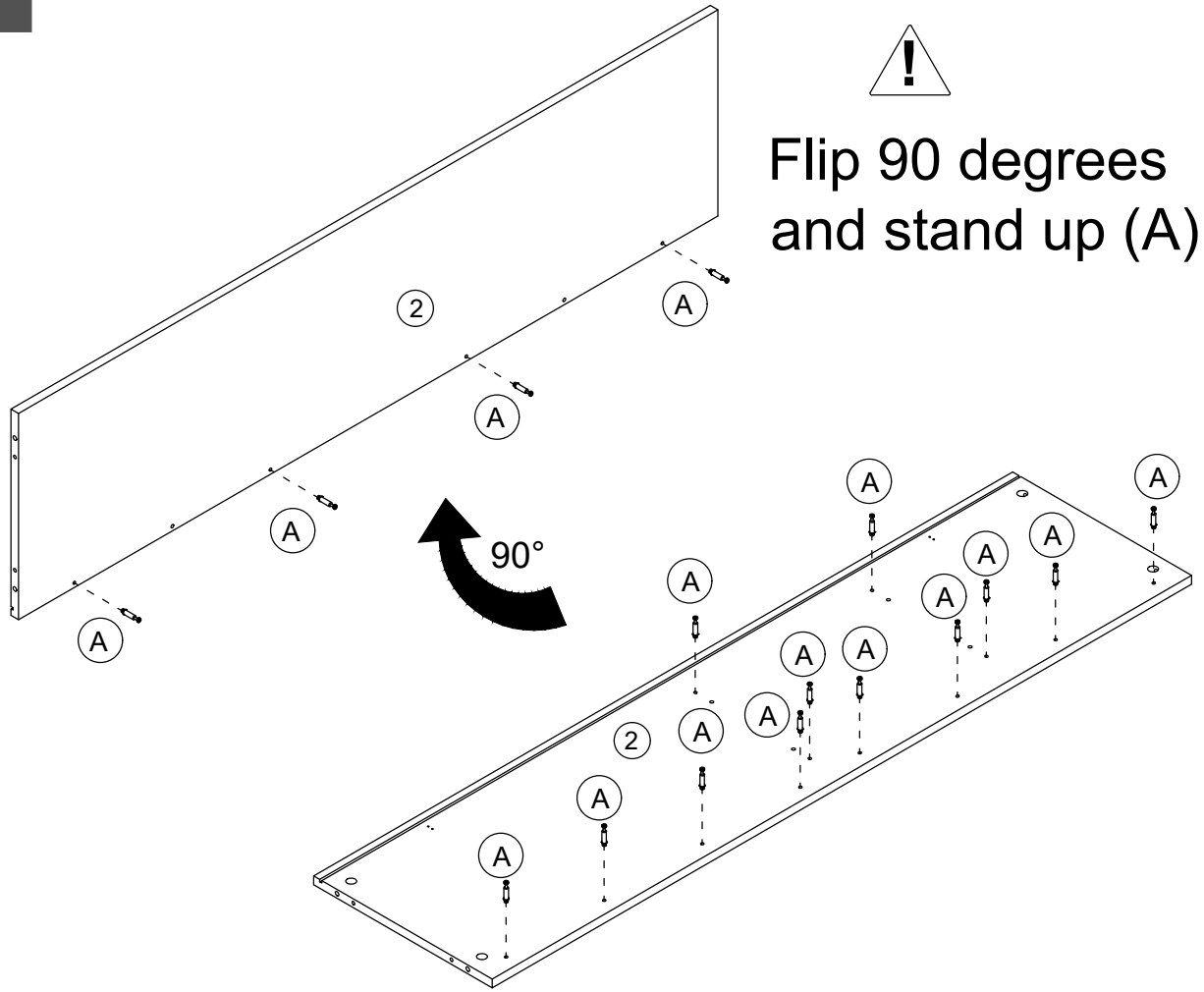


Cam Bolt x 21

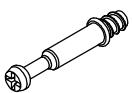


# Assembly Instructions

## Step 3



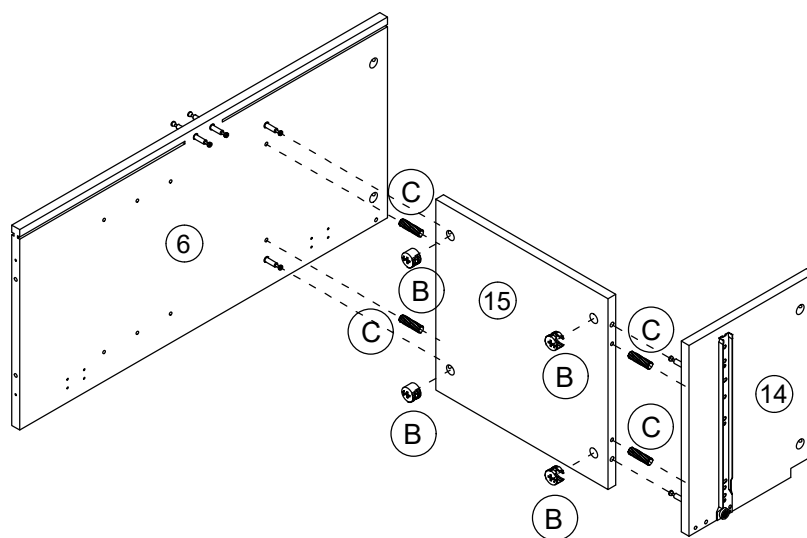
(A)



Cam Bolt x 22

# Assembly Instructions

## Step 4



B



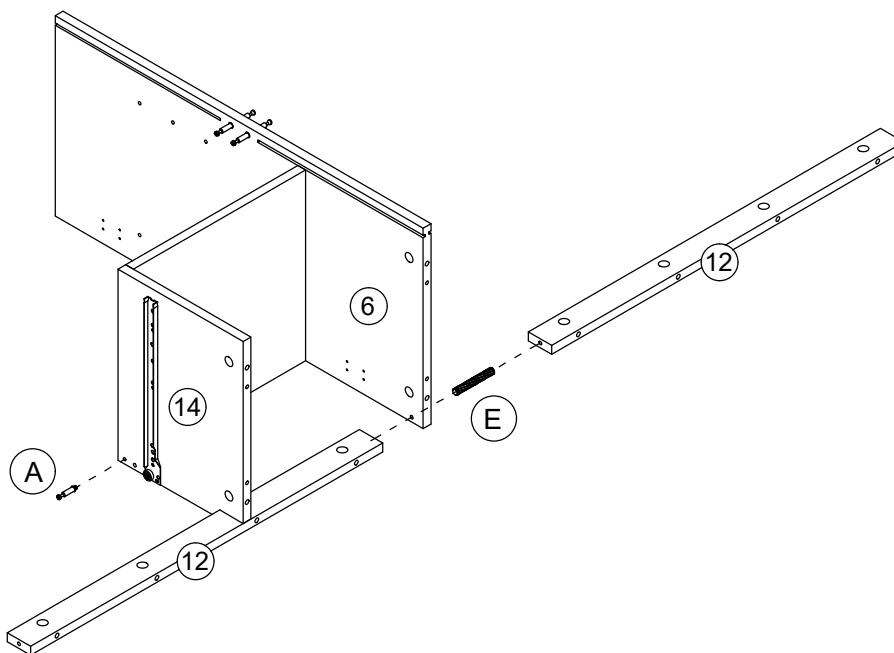
Cam lock x 4

C

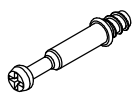


Dowel x 4

## Step 5

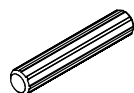


A



Cam Bolt x 1

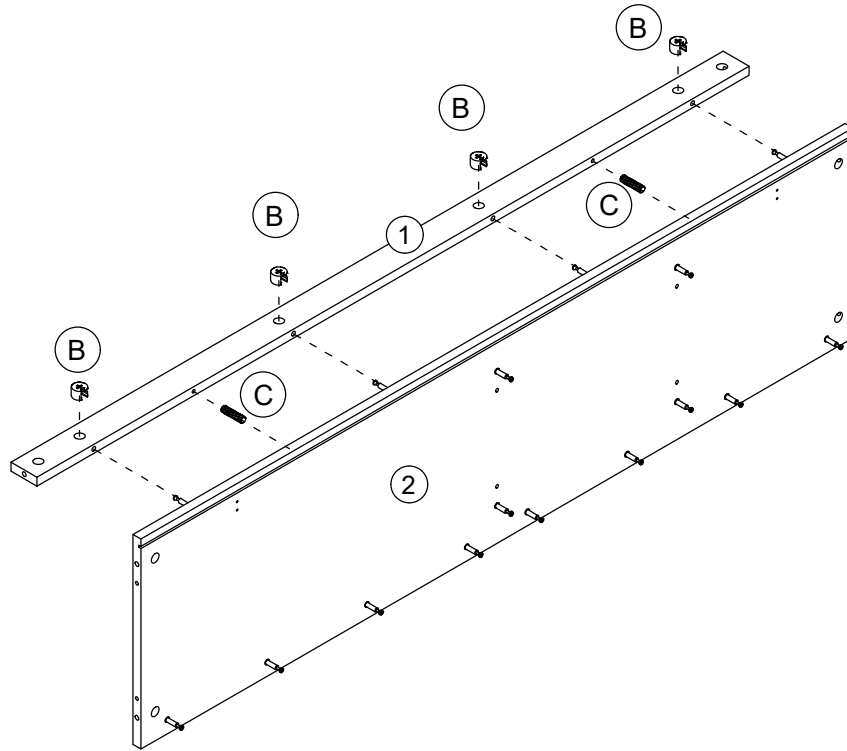
E



Dowel x 1

# Assembly Instructions

## Step 6



B



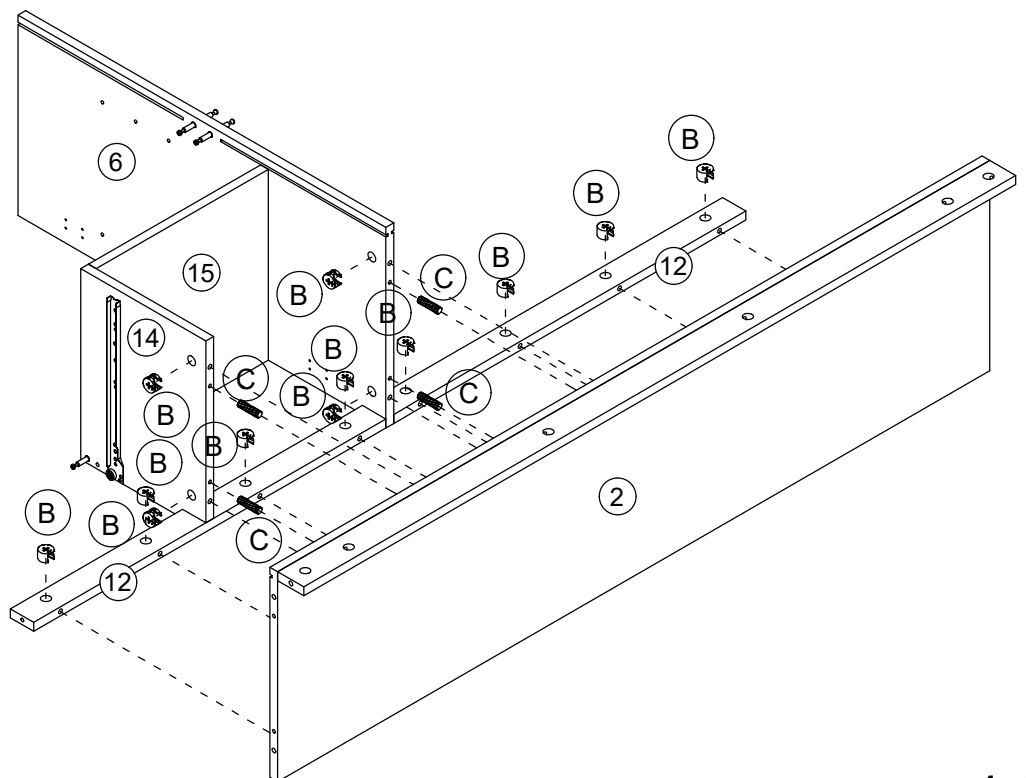
Cam lock x 4

C



Dowel x 2

## Step 7

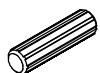


B



Cam lock x 12

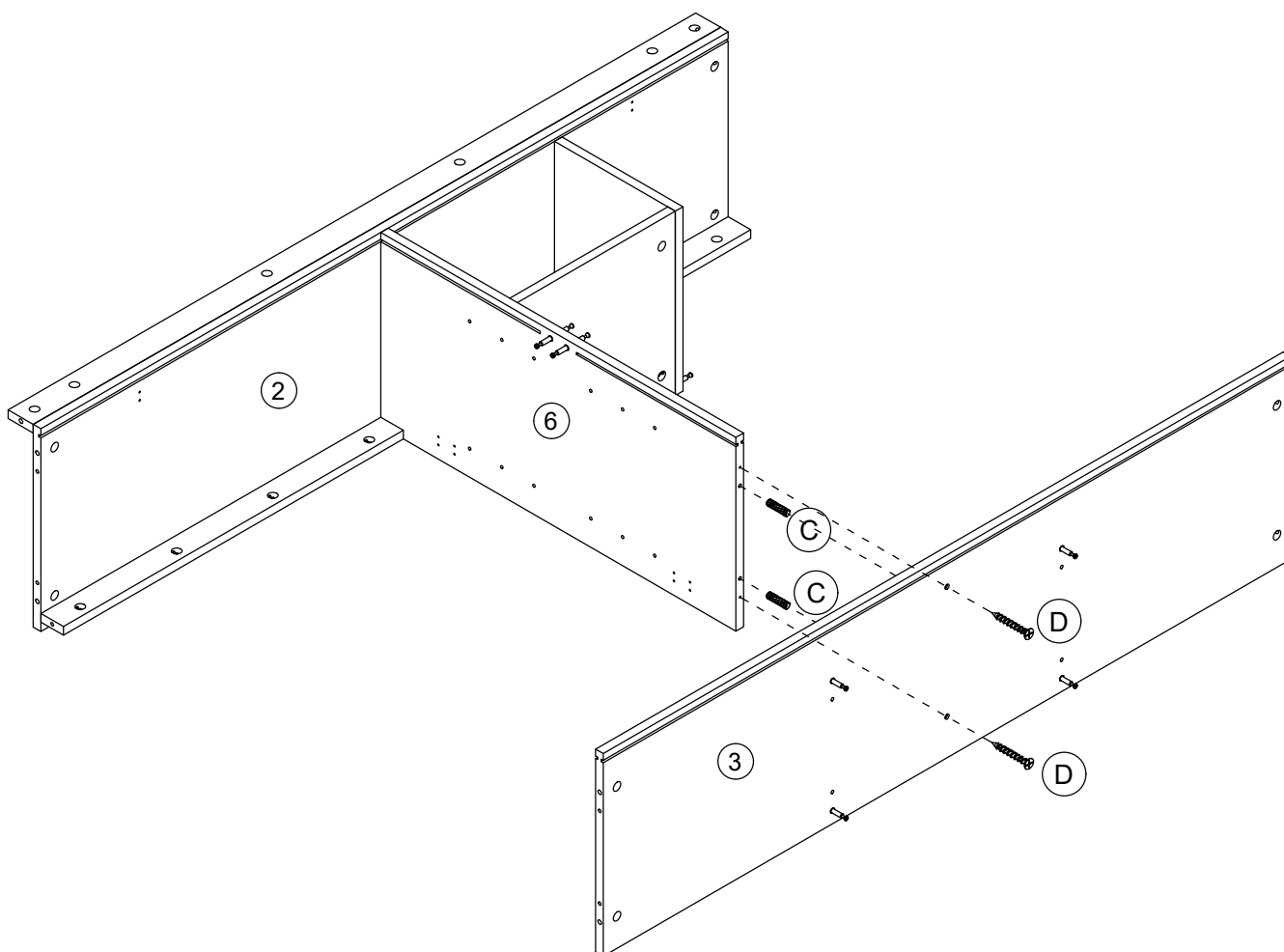
C



Dowel x 4

# Assembly Instructions

## Step 8



C



Dowel x 2

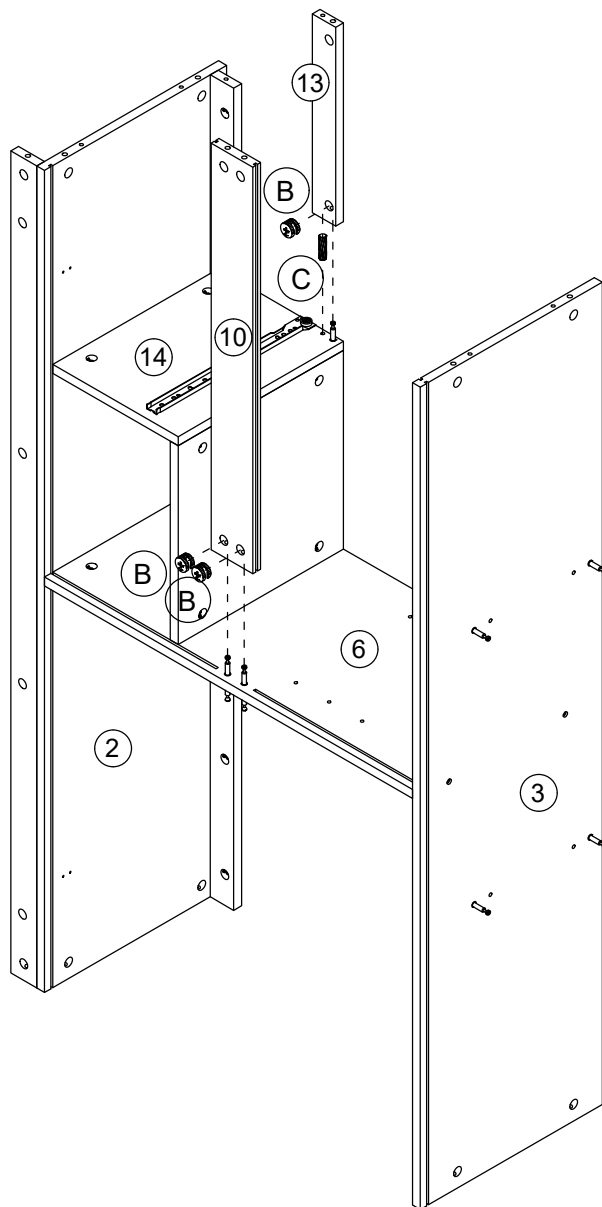
D



4\*35mm Screw x 2

# Assembly Instructions

## Step 9



B



Cam lock x 3

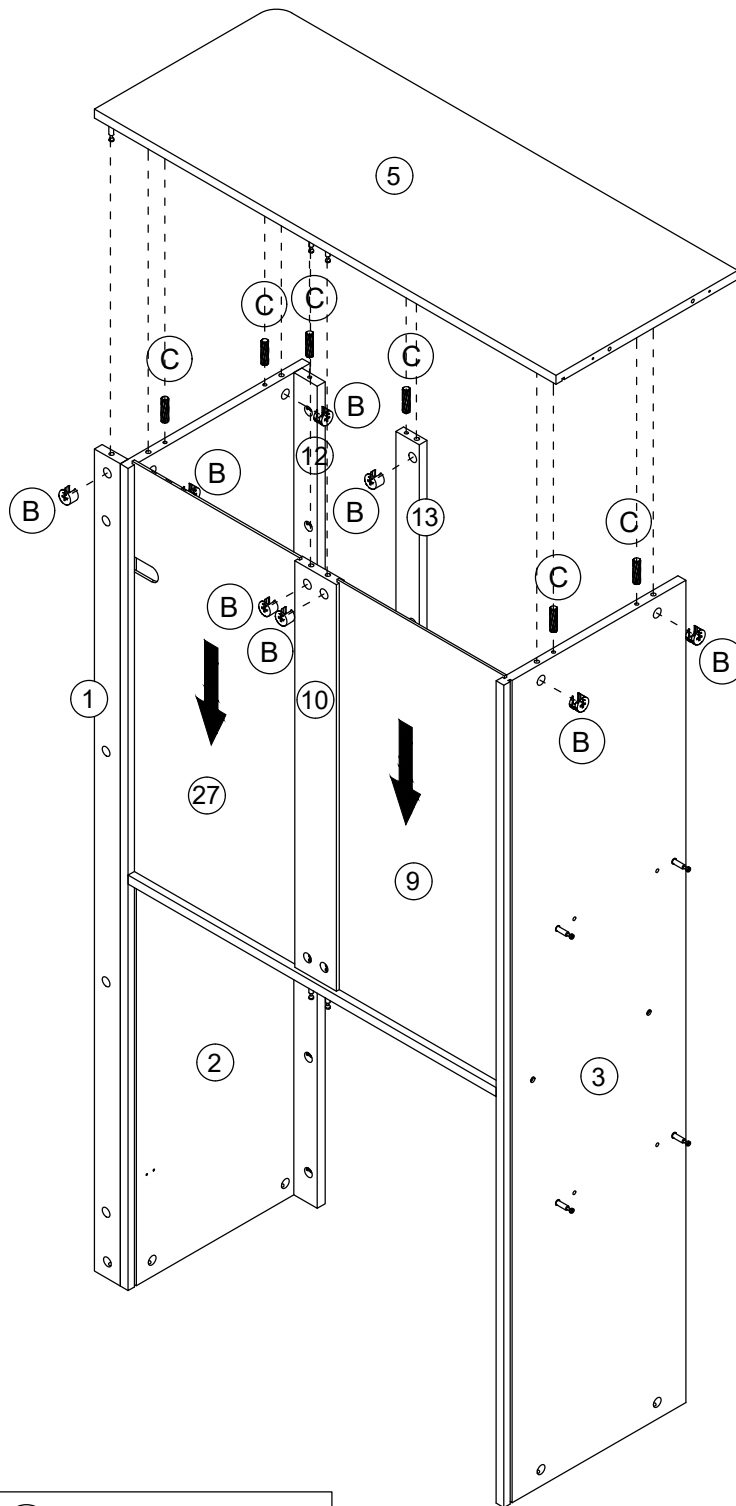
C



Dowel x 1

# Assembly Instructions

## Step 10



B



Cam lock x 8

C

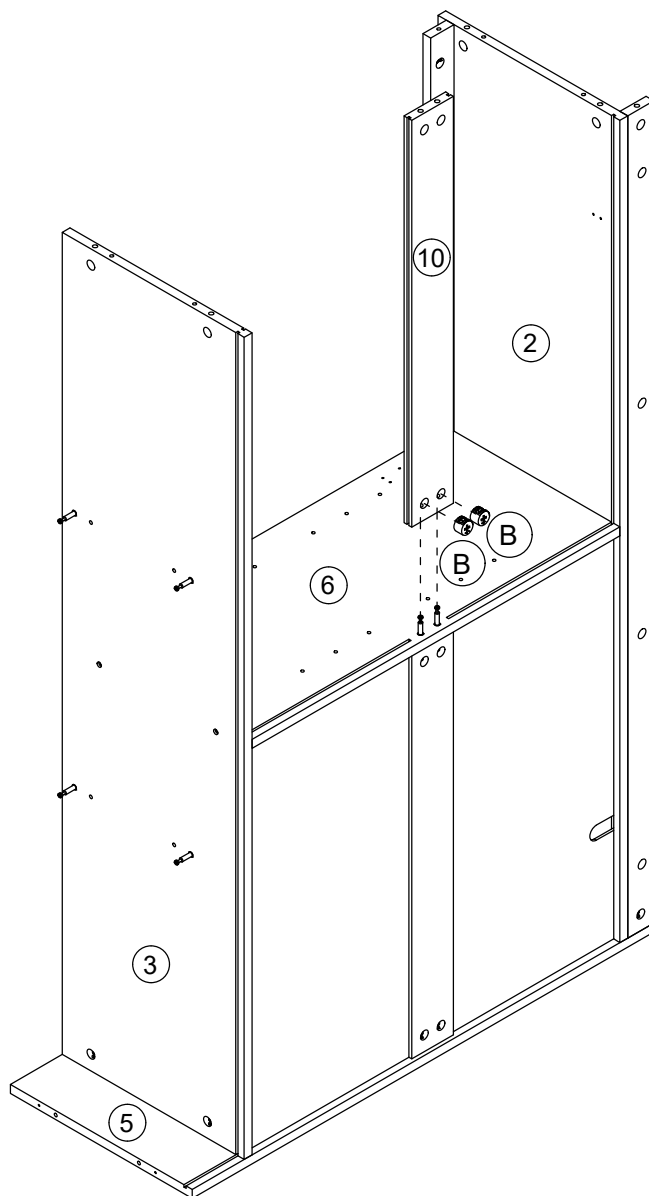


Dowel x 6

# Assembly Instructions

Step 11

 **Flip 180°**



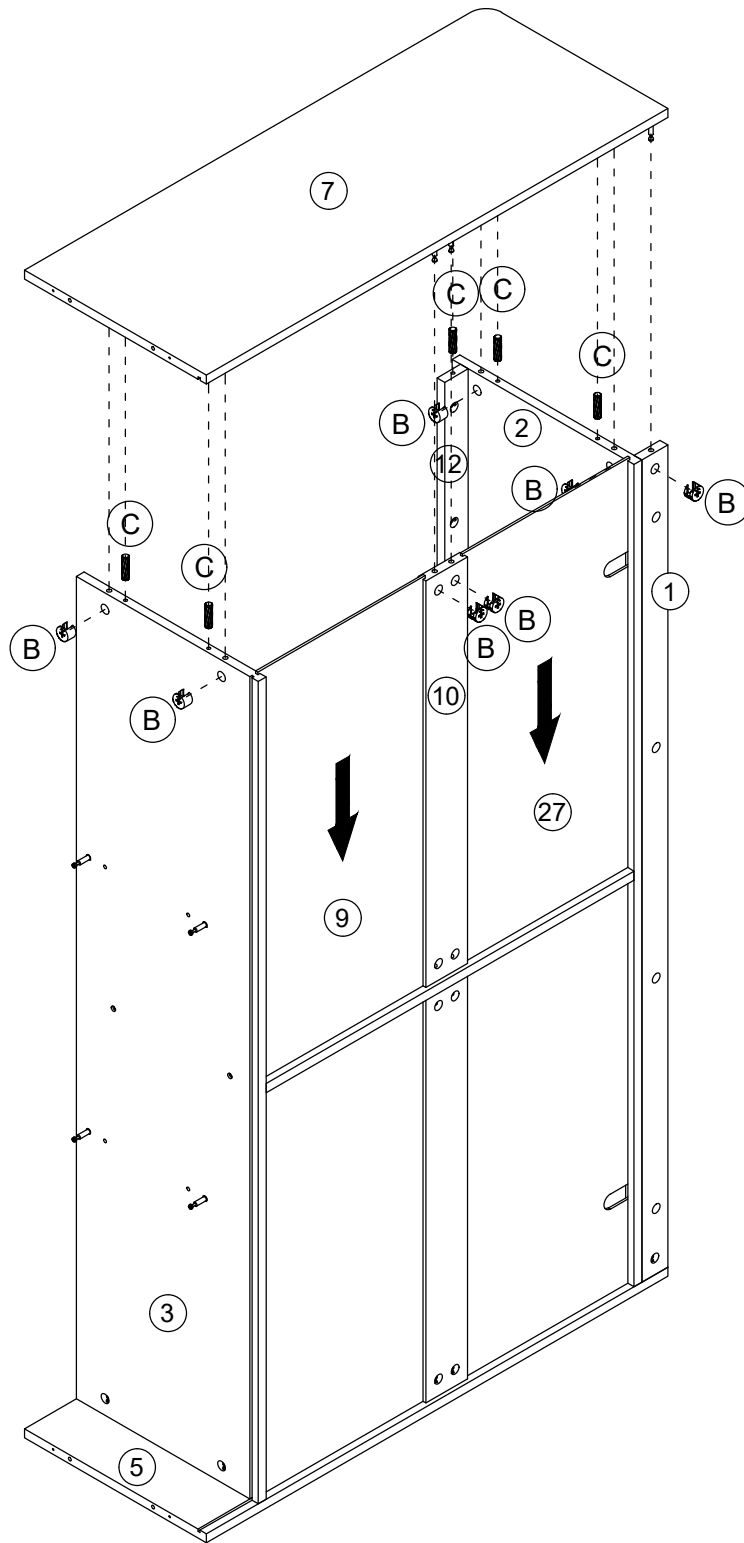
B



Cam lock x 2

# Assembly Instructions

## Step 12



B



Cam lock x 7

C

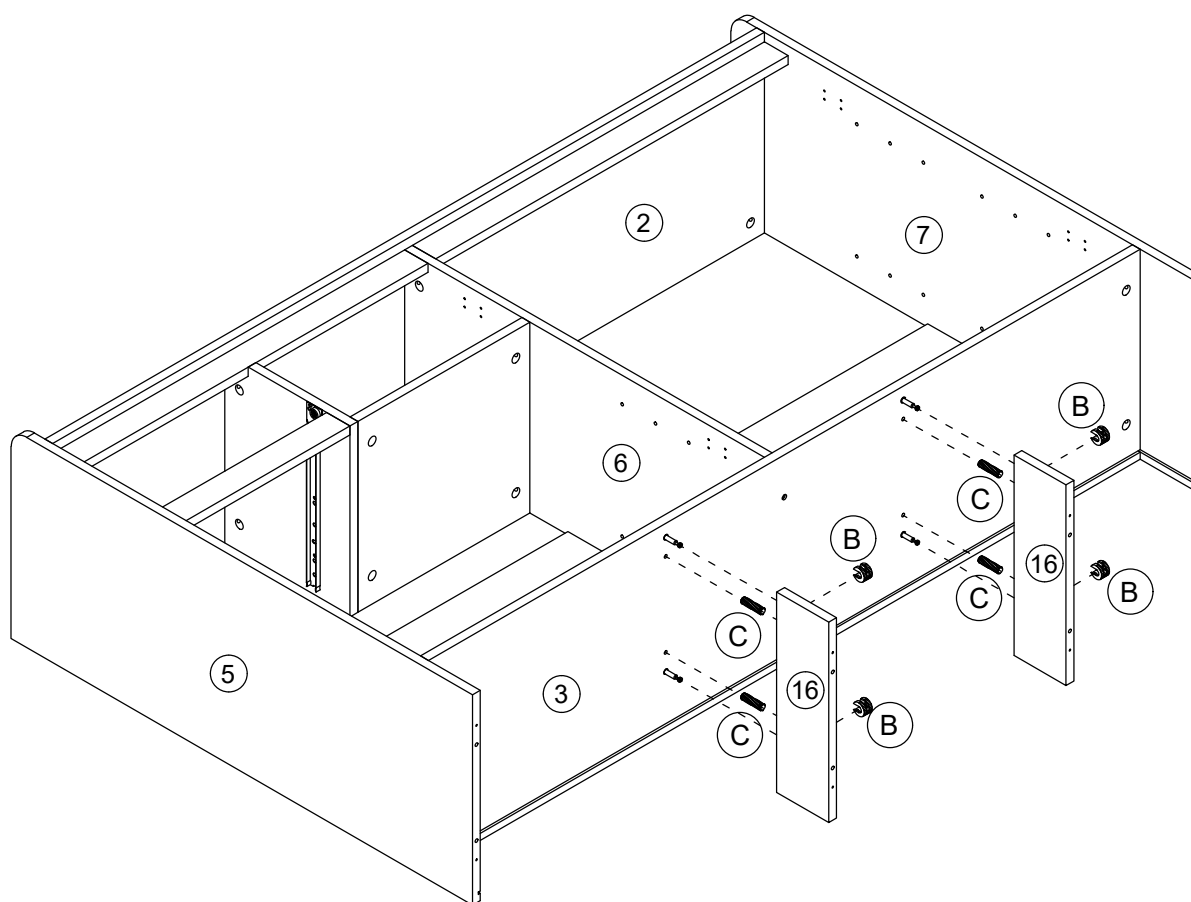


Dowel x 5



# Assembly Instructions

## Step 13



B



Cam lock x 4

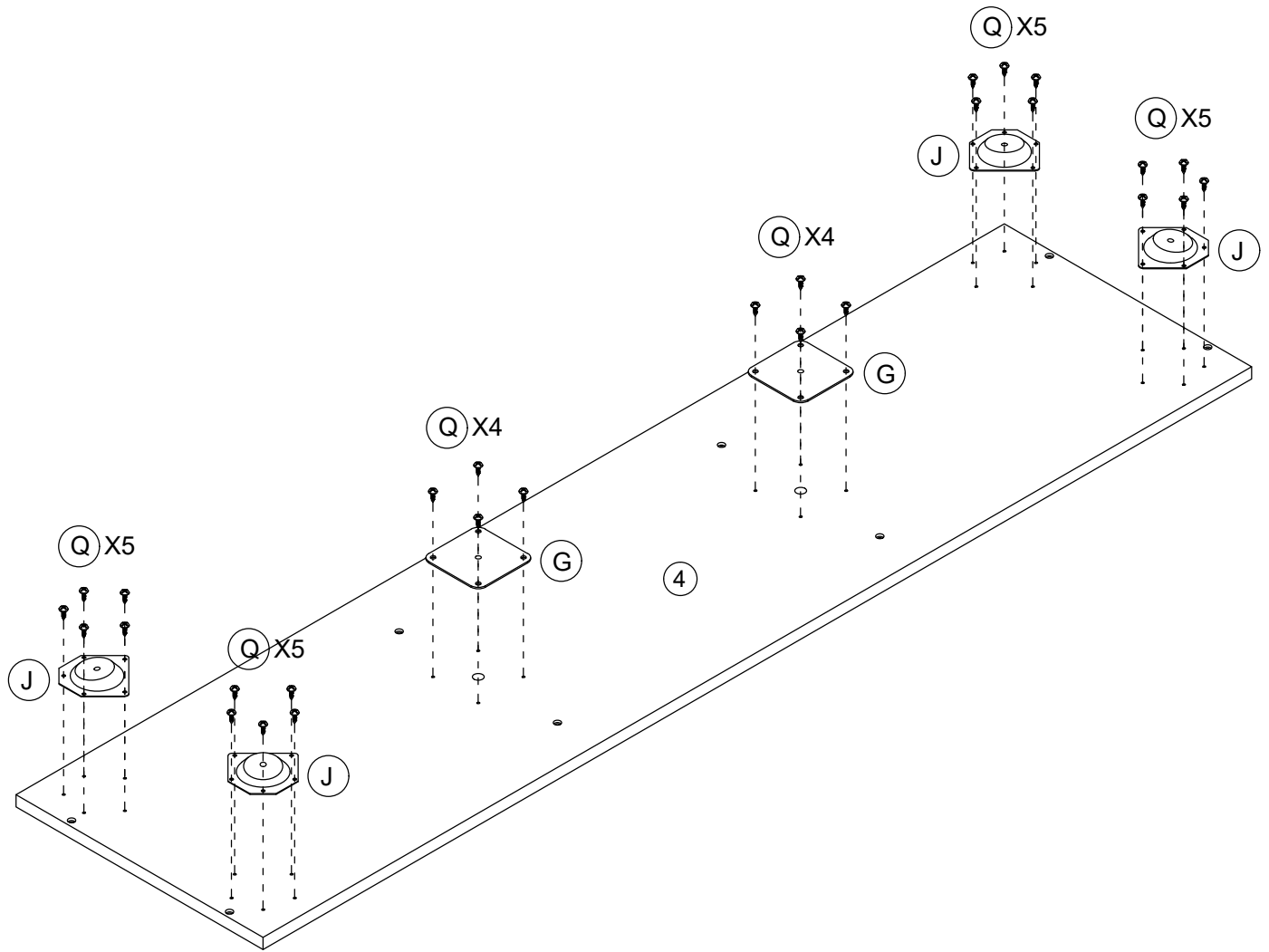
C


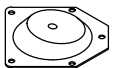


Dowel x 4

# Assembly Instructions

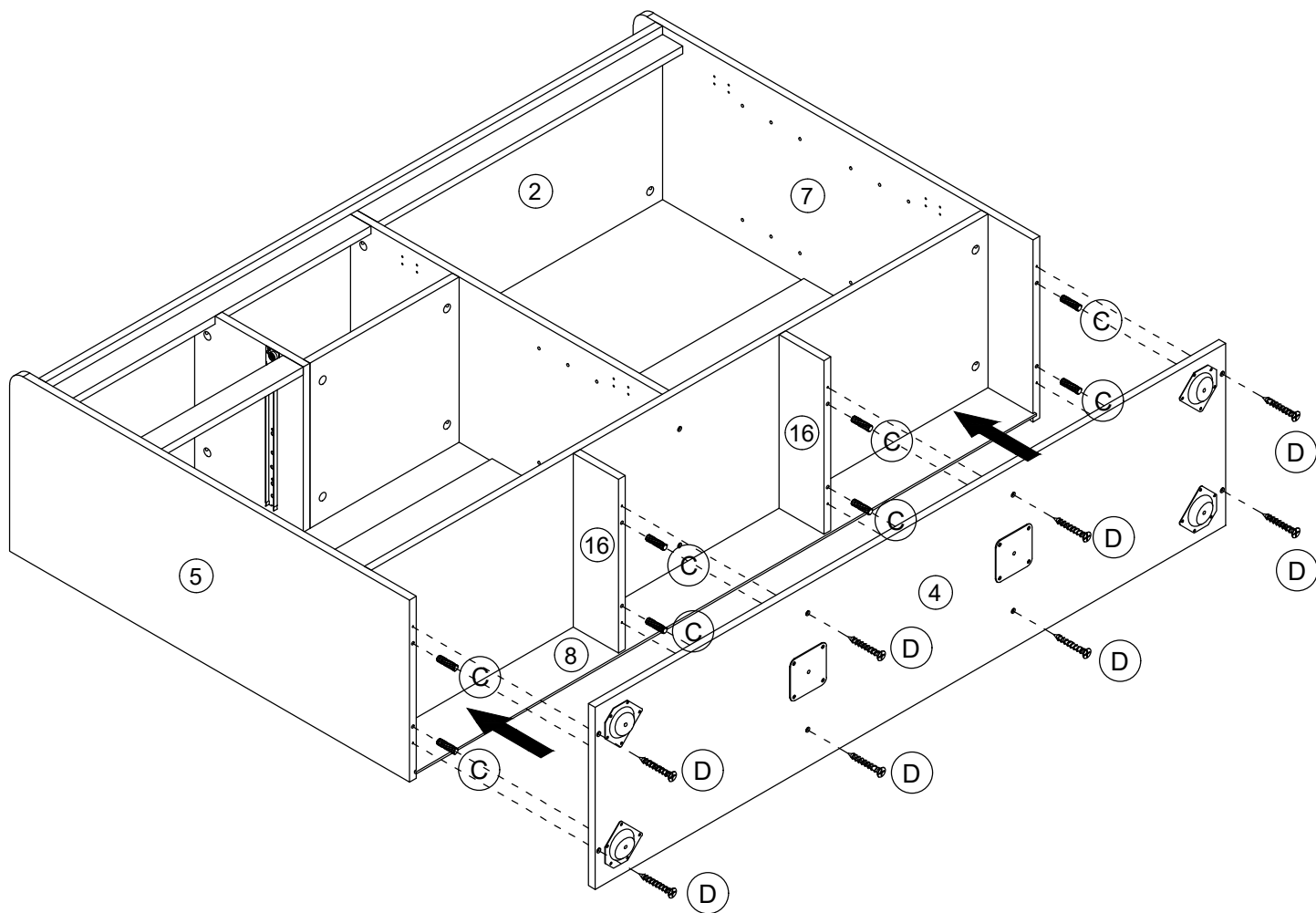
## Step 14



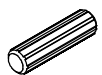
 Iron sheet x 2	 4*12mm Screw x 28	 Iron sheet x 4
--	--	--

# Assembly Instructions

## Step 15



C



Dowel x 8

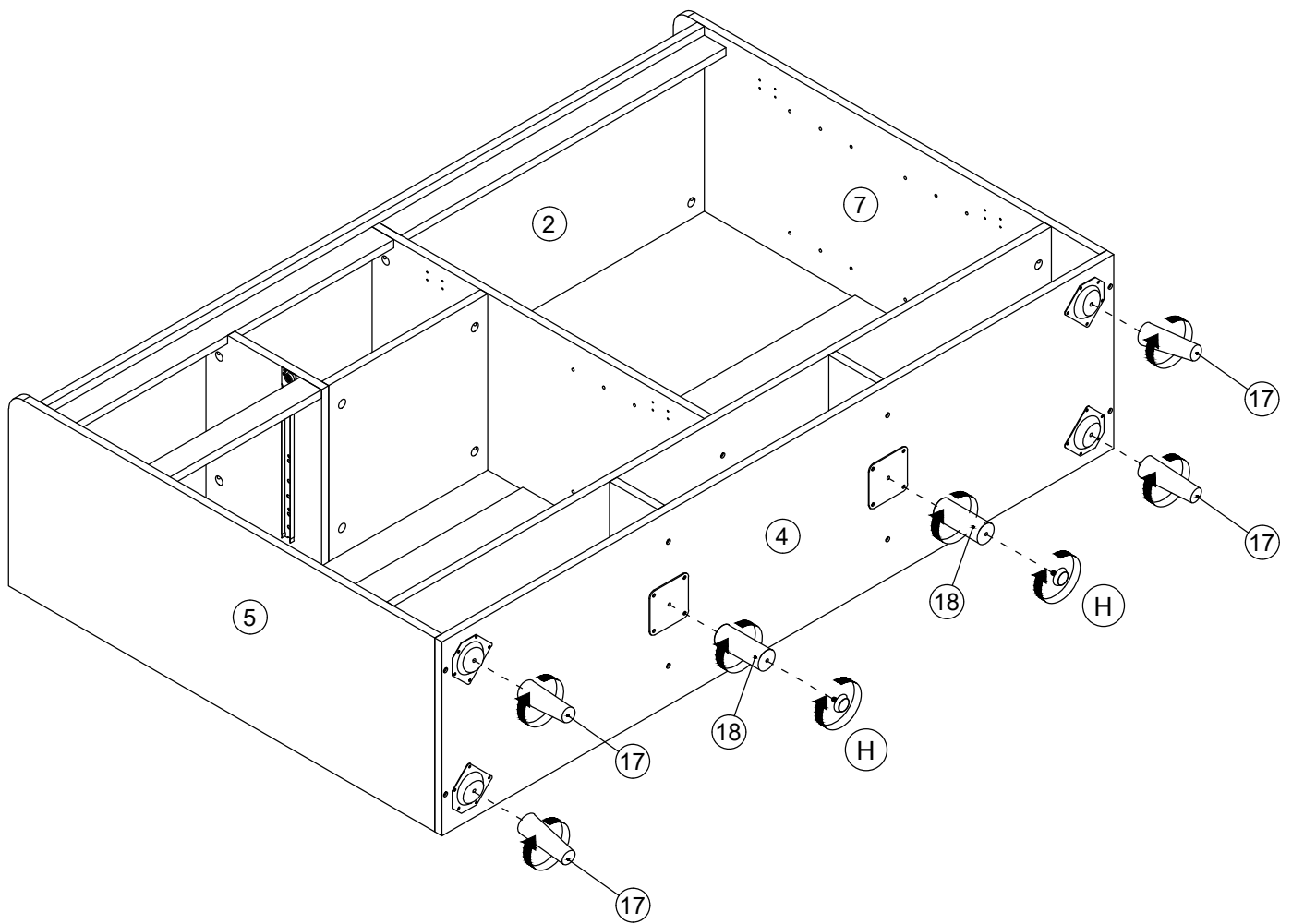
D



4\*35mm Screw x 8

# Assembly Instructions

## Step 16



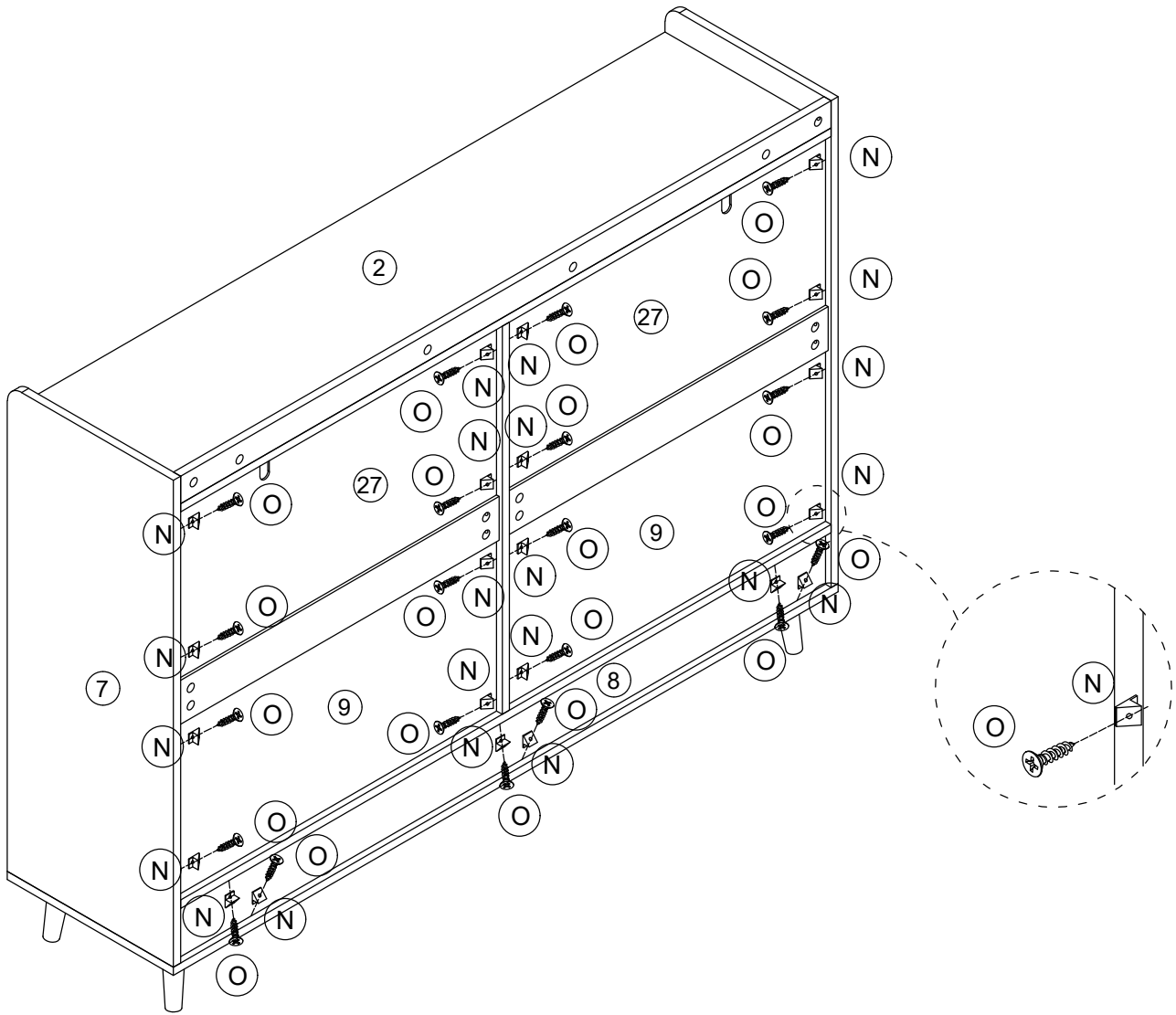
(H)



Adjusting the feet x 2

# Assembly Instructions

## Step 17



(N)



Back Panel Buckle x 22

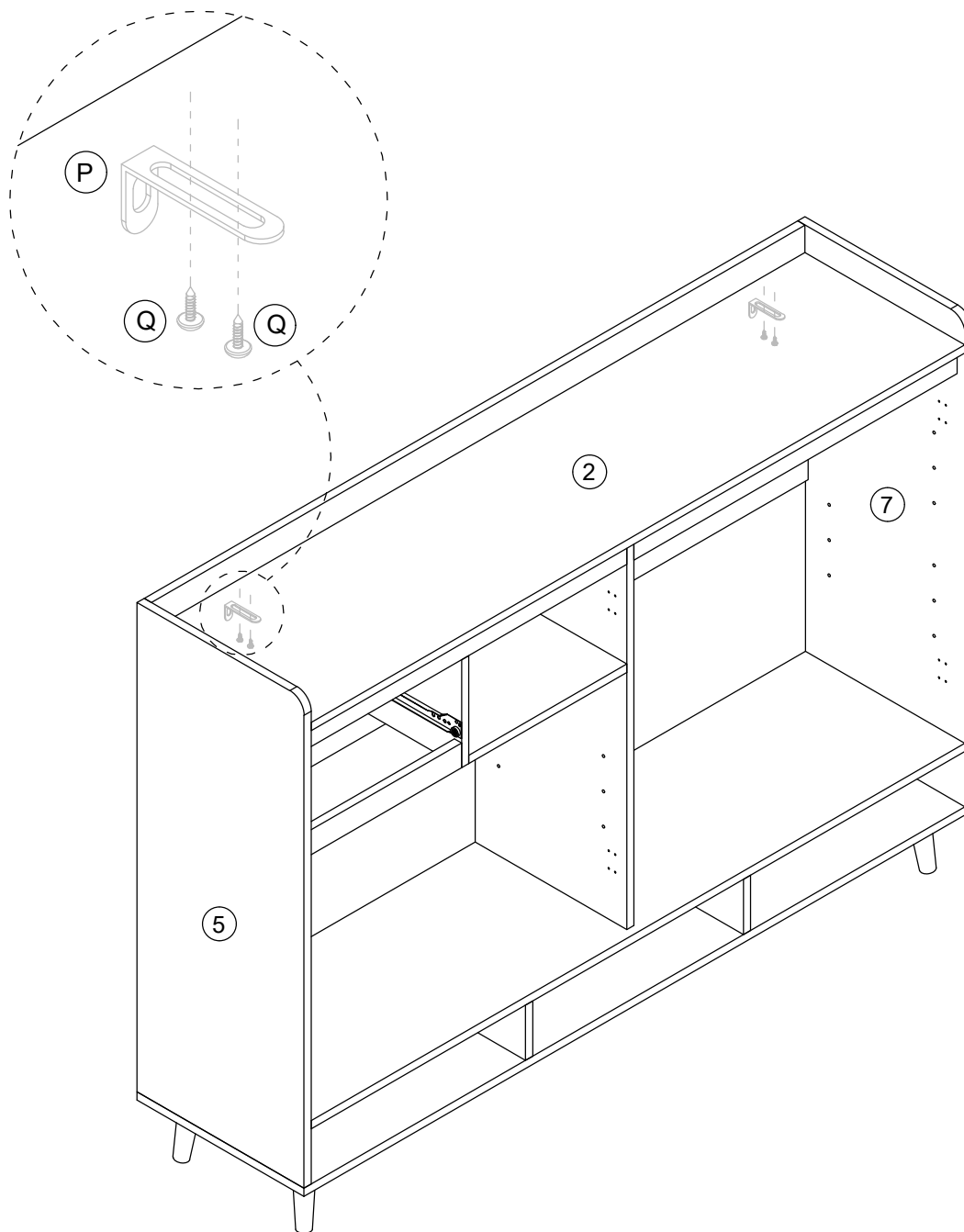
(O)



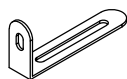
3\*16mm Screw x 22

# Assembly Instructions

## Step 18



P



Anti tipping iron sheet x 2

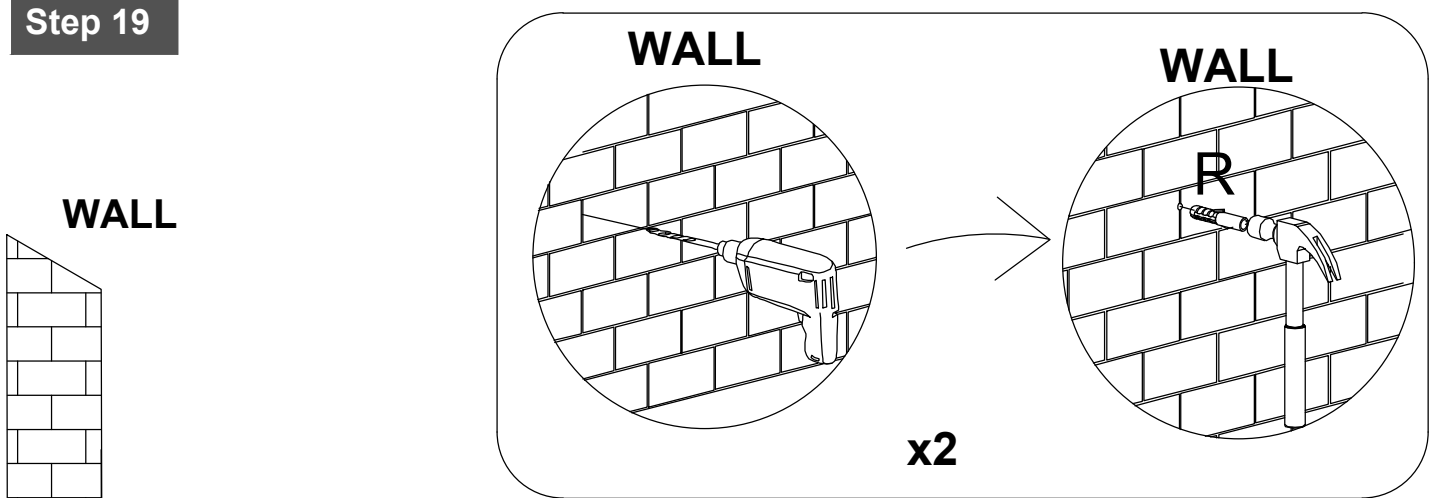
Q



4\*12mm Screw x 4

# Assembly Instructions

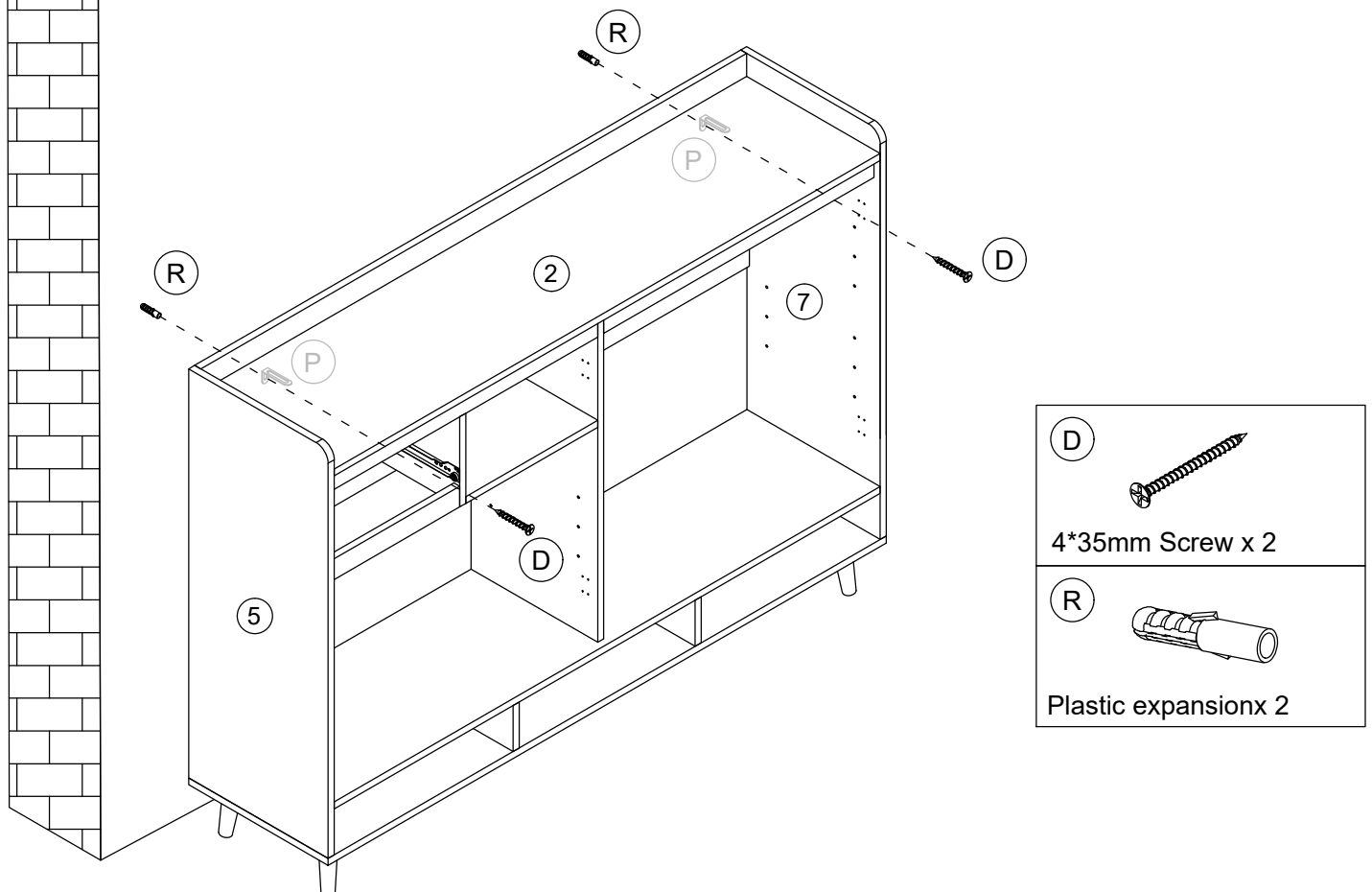
## Step 19



Please choose a suitable location to place the shoe cabinet onto the wall

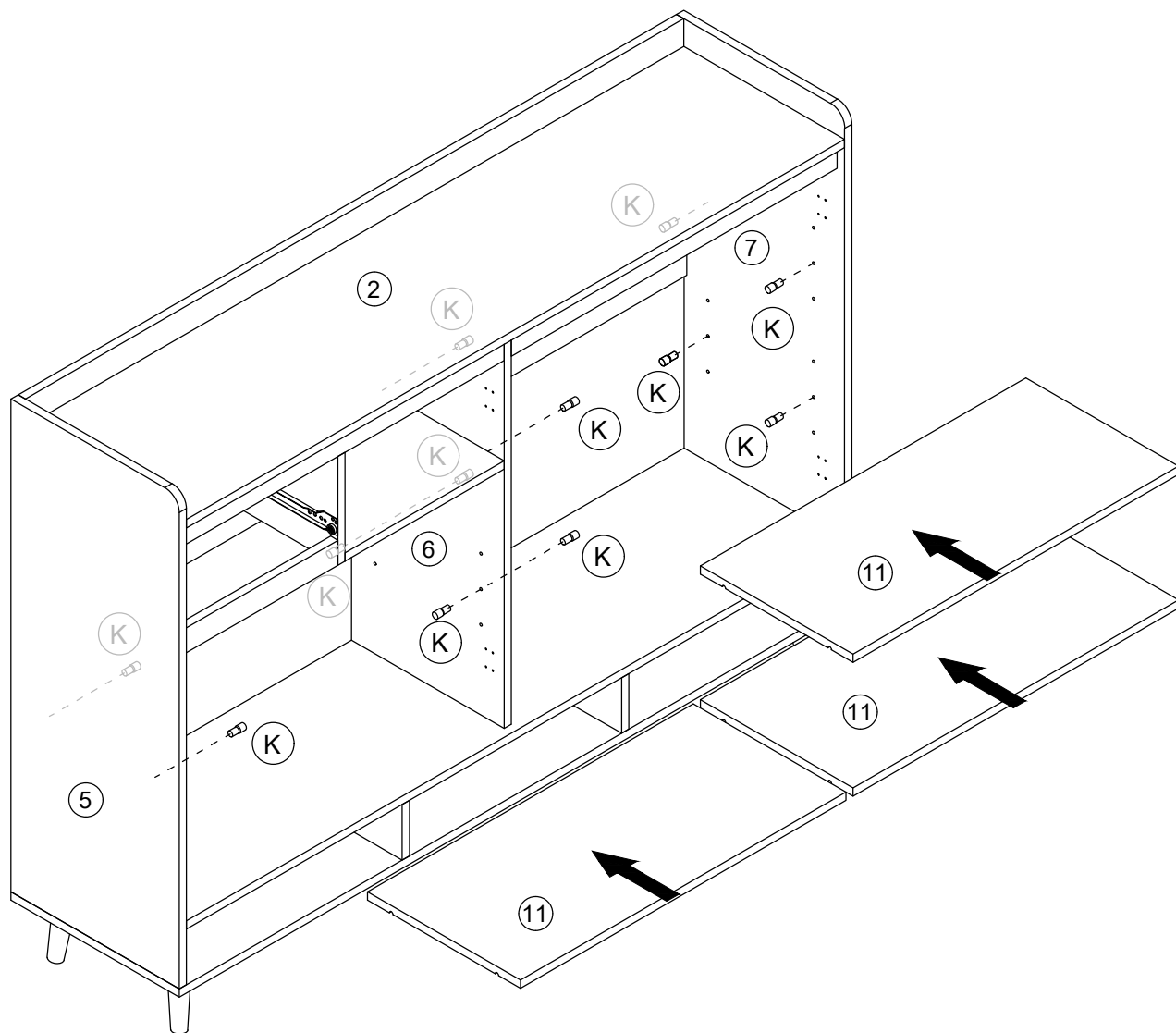
First, place the shoe cabinet against the wall to find the correct position corresponding to P, drill holes in the wall, and bury the hardware R into the wall;

Second, place the shoe cabinet against the wall, align the holes in P with R, screw D through the holes in the iron piece P into R;



# Assembly Instructions

## Step 20



(K)

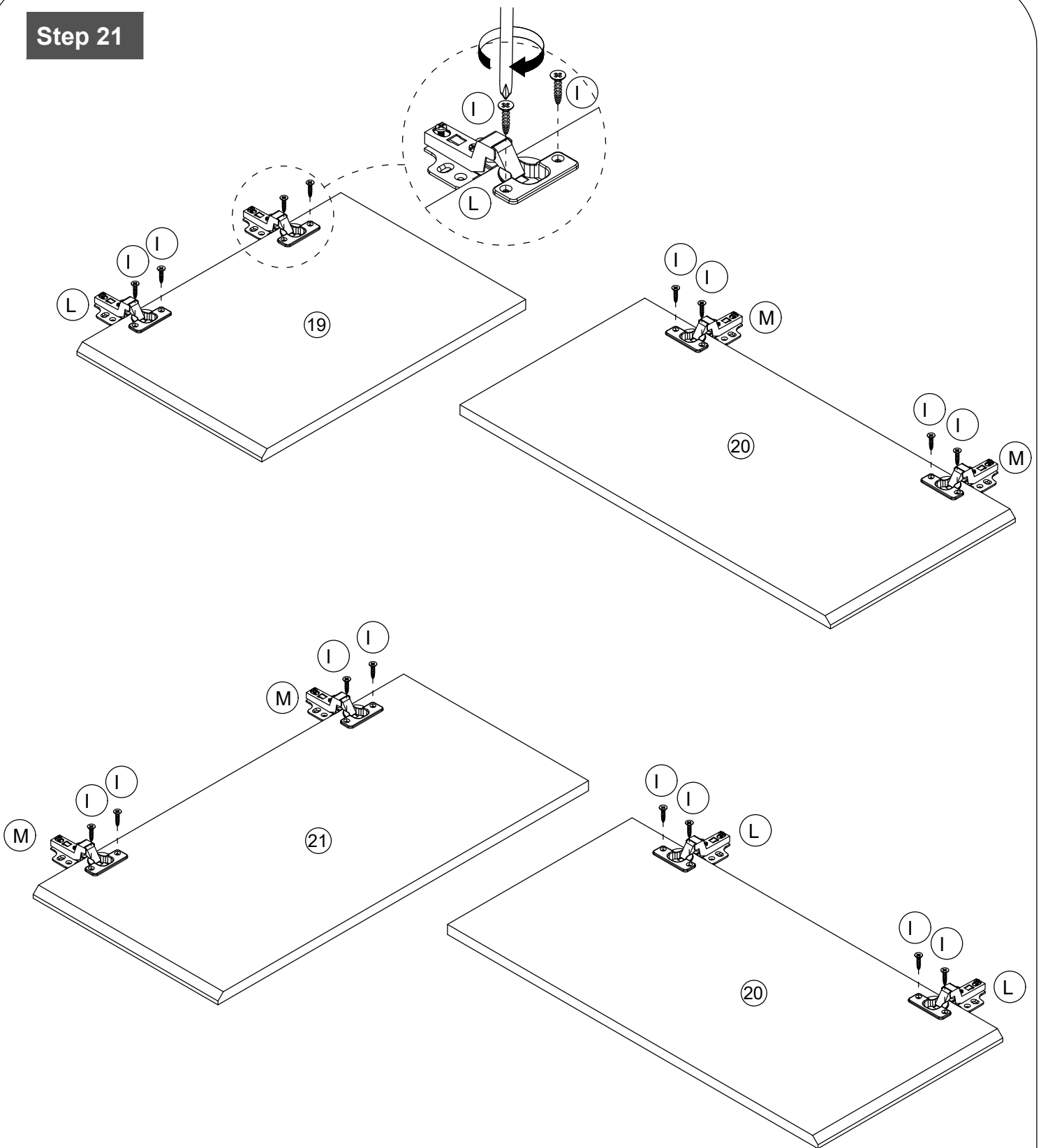


Laminated pallet x 12



# Assembly Instructions

## Step 21



I



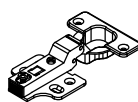
3.5\*14mm Screw x 16

L



Large bend hinge x 4

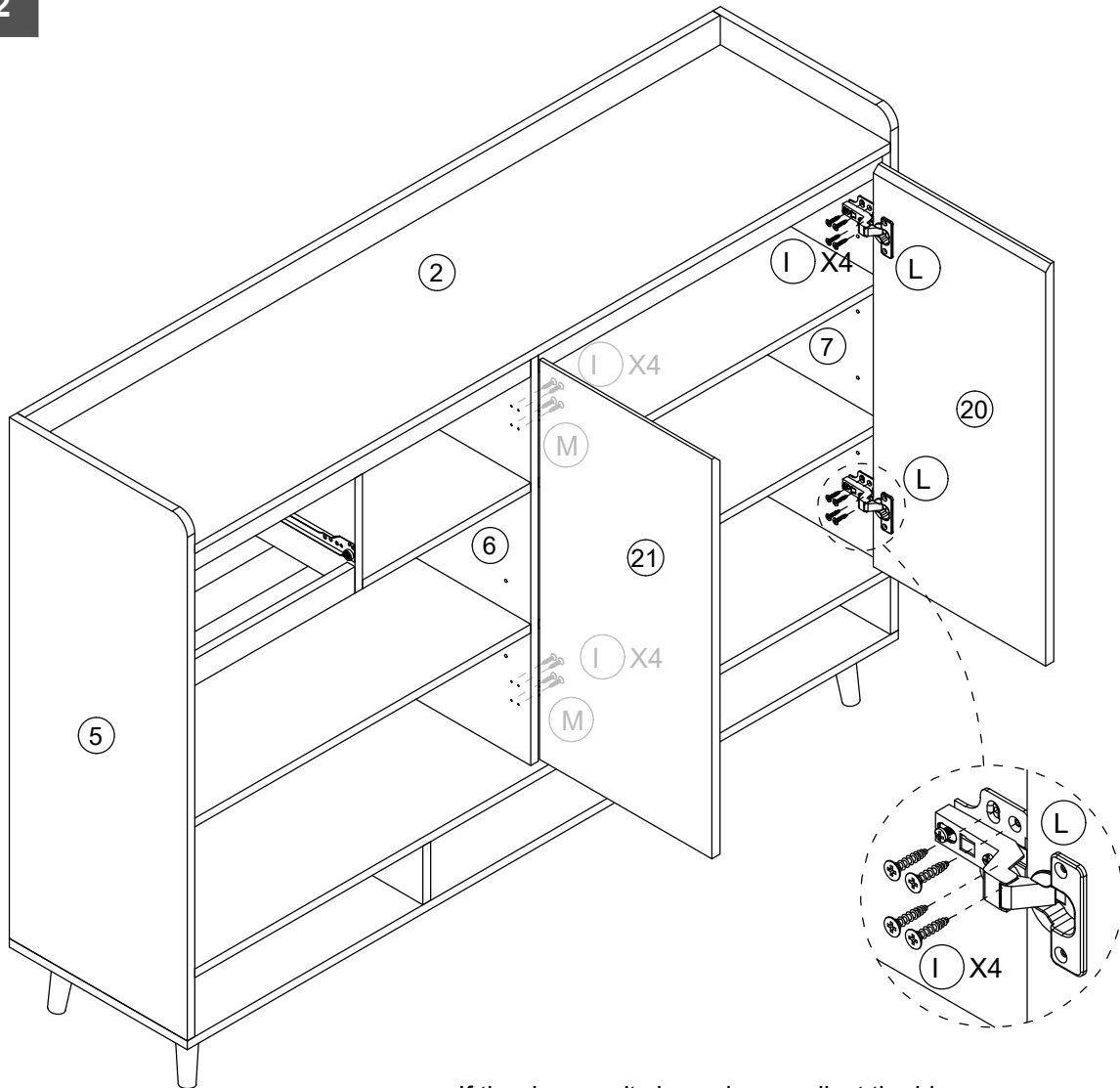
M



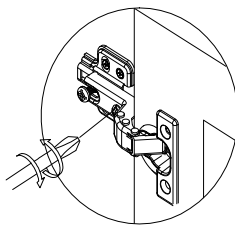
Small bend hinge x 4

# Assembly Instructions

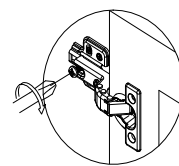
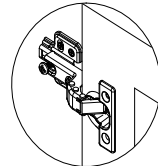
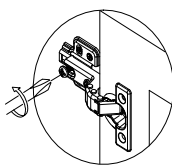
## Step 22



If the door can't close, please adjust the hinges.



This is used to adjust the door panel in the up and down direction.



This is used to adjust the door panel in the front and back direction: Loosen the screw first, and then tighten screw after adjusting the door panel to the proper position.

I

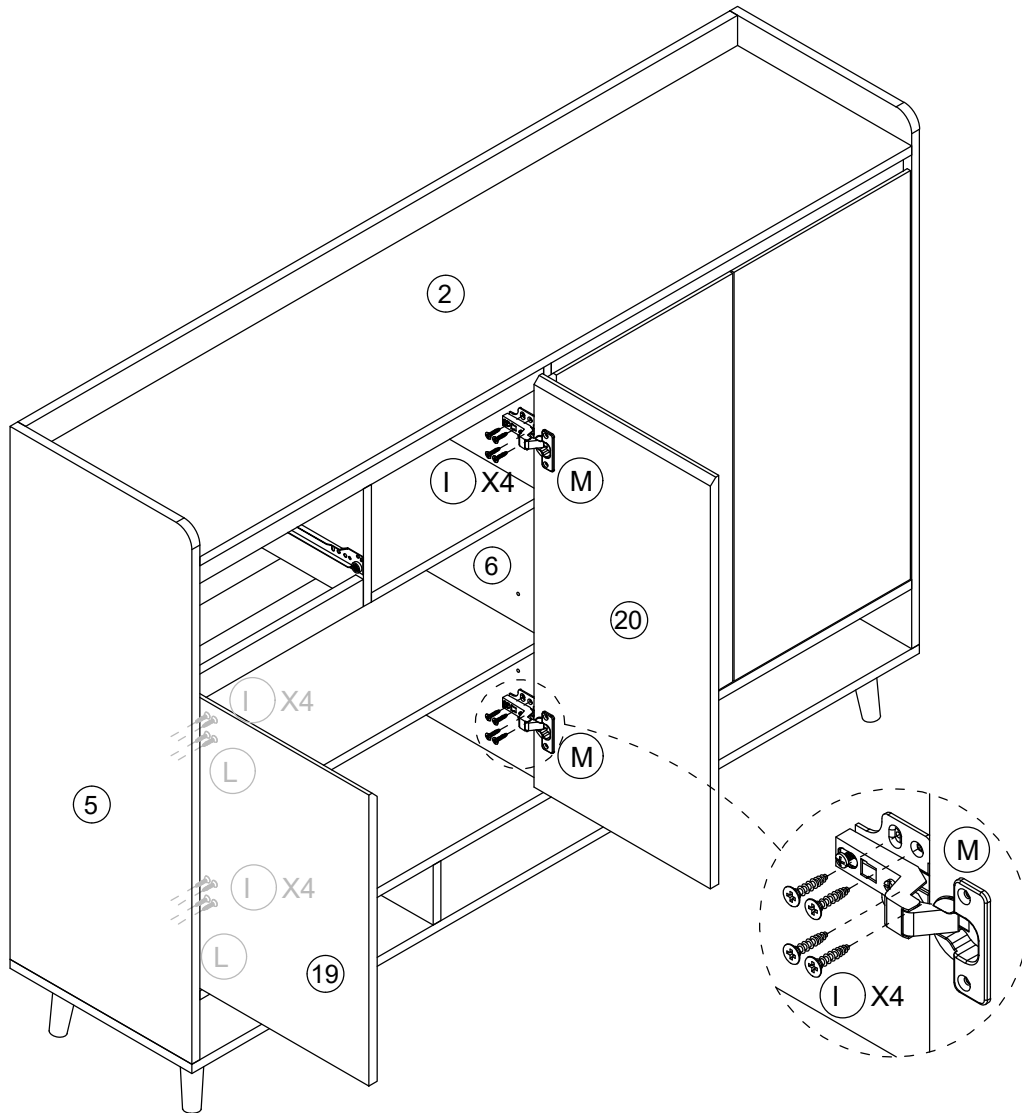


3.5\*14mm Screw x 16

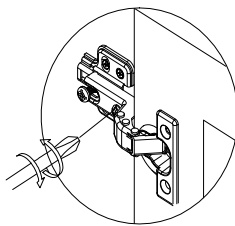
x 4

# Assembly Instructions

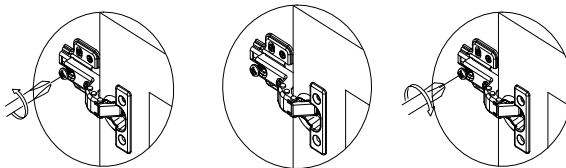
## Step 23



If the door can't close, please adjust the hinges.



This is used to adjust the door panel in the up and down direction.



This is used to adjust the door panel in the front and back direction: Loosen the screw first, and then tighten screw after adjusting the door panel to the proper position.

I

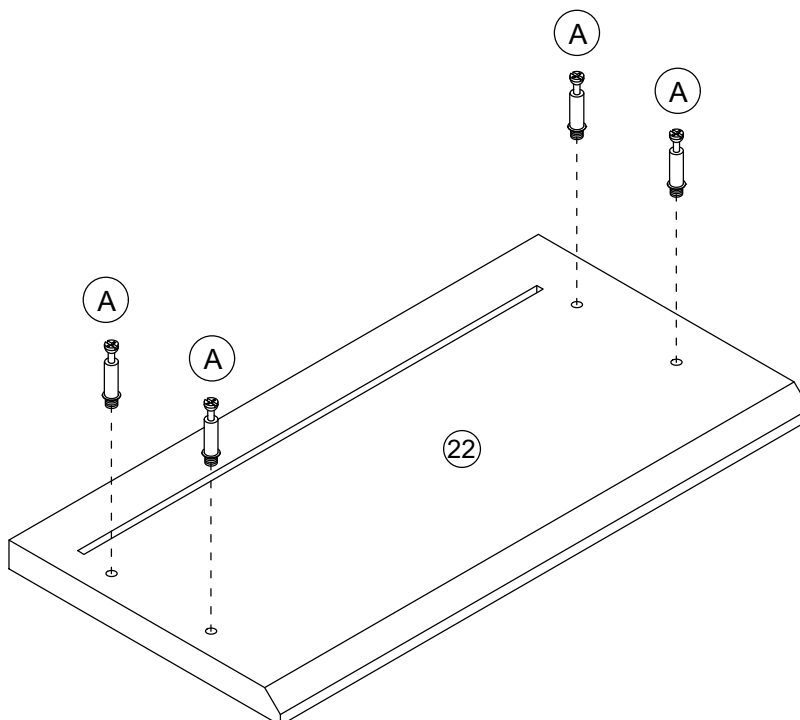


3.5\*14mm Screw x 16

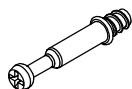
x 4

# Assembly Instructions

## Step 24

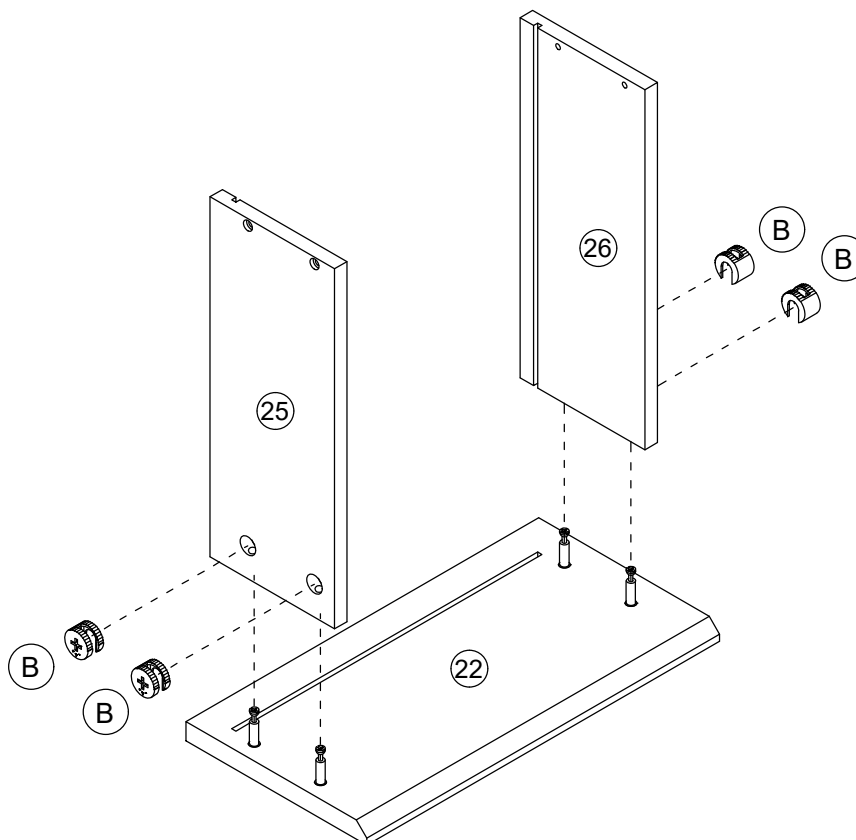


A



Cam Bolt x 4

## Step 25



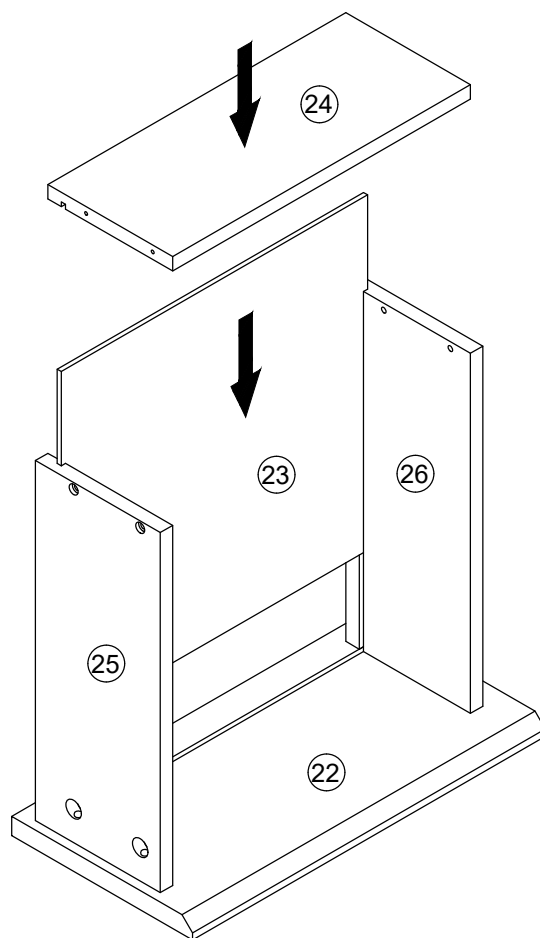
B



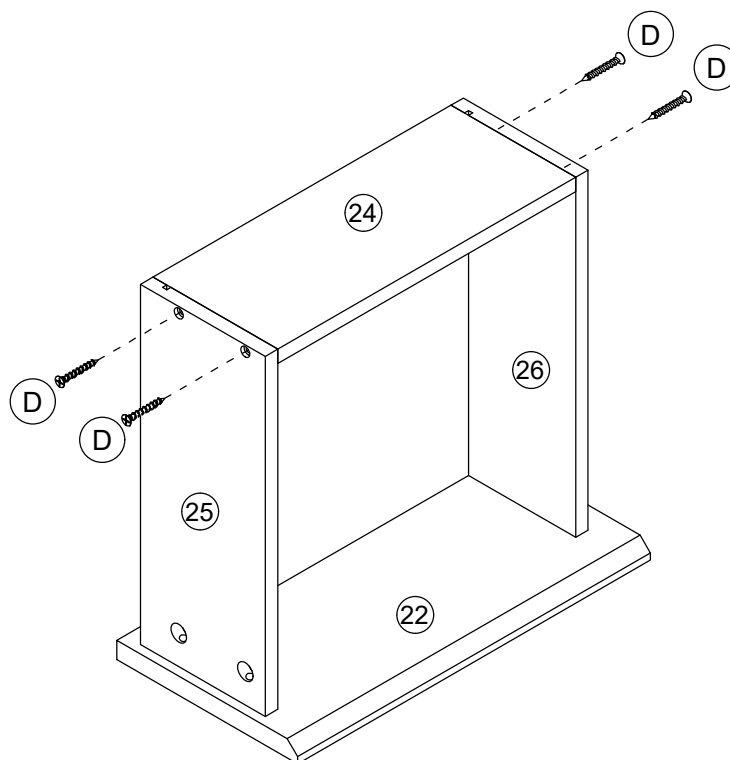
Cam lock x 4

# Assembly Instructions

## Step 26



## Step 27



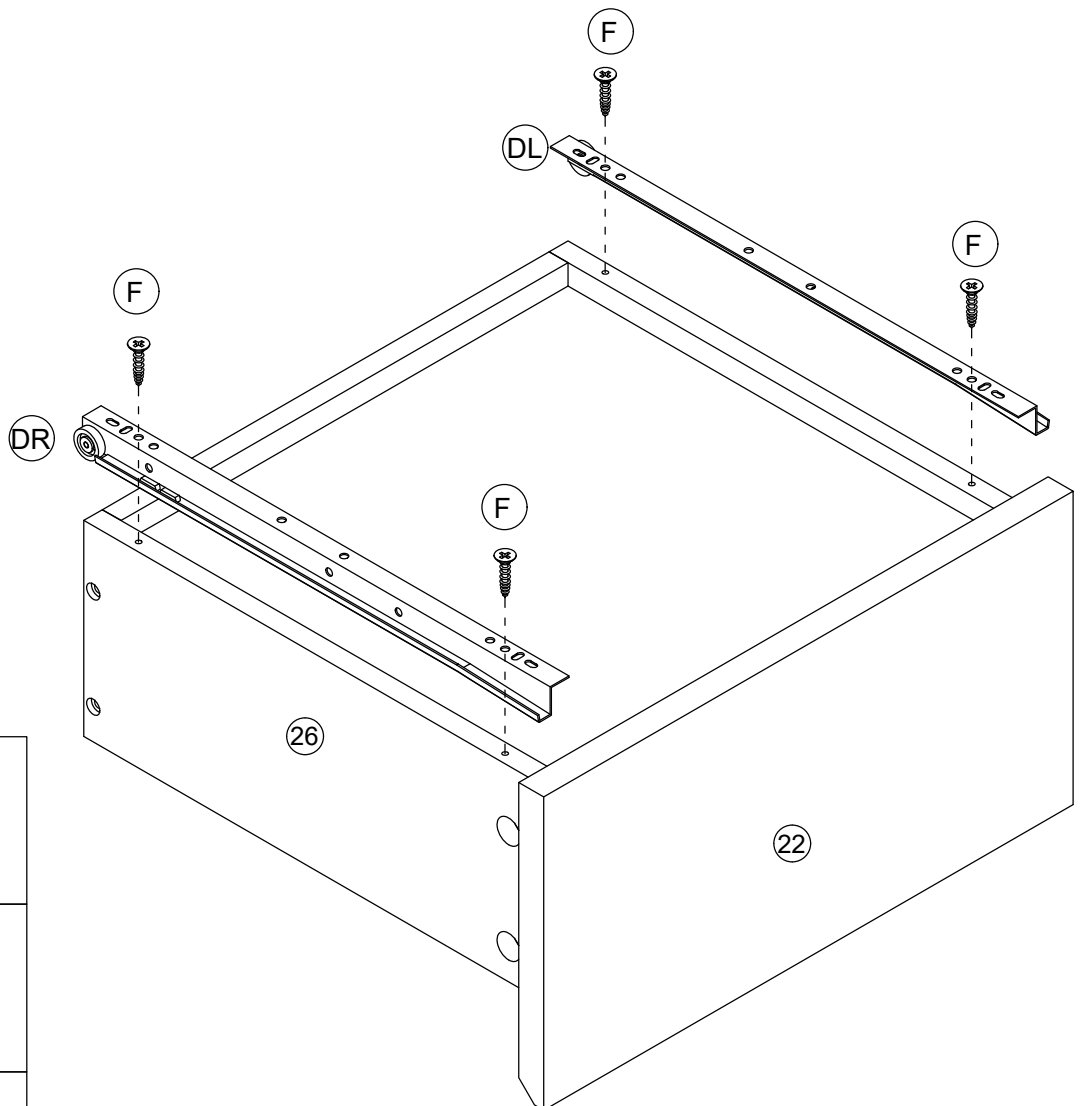
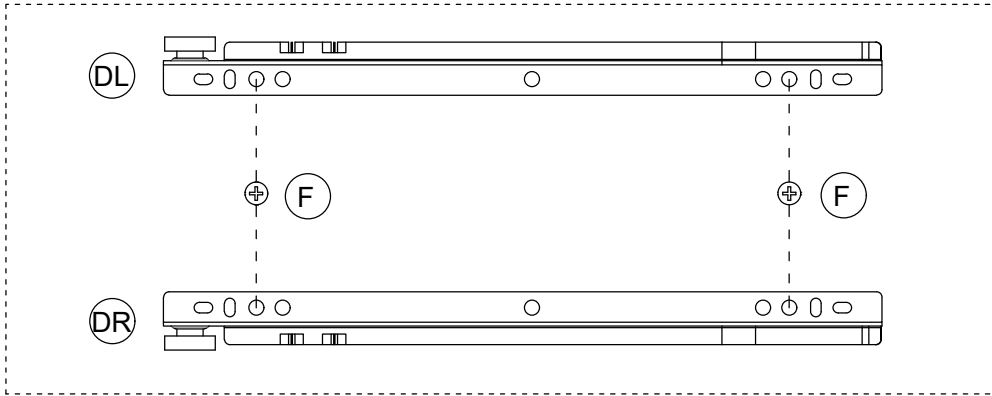
D


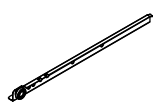
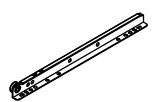


4\*35mm Screw x 4

# Assembly Instructions

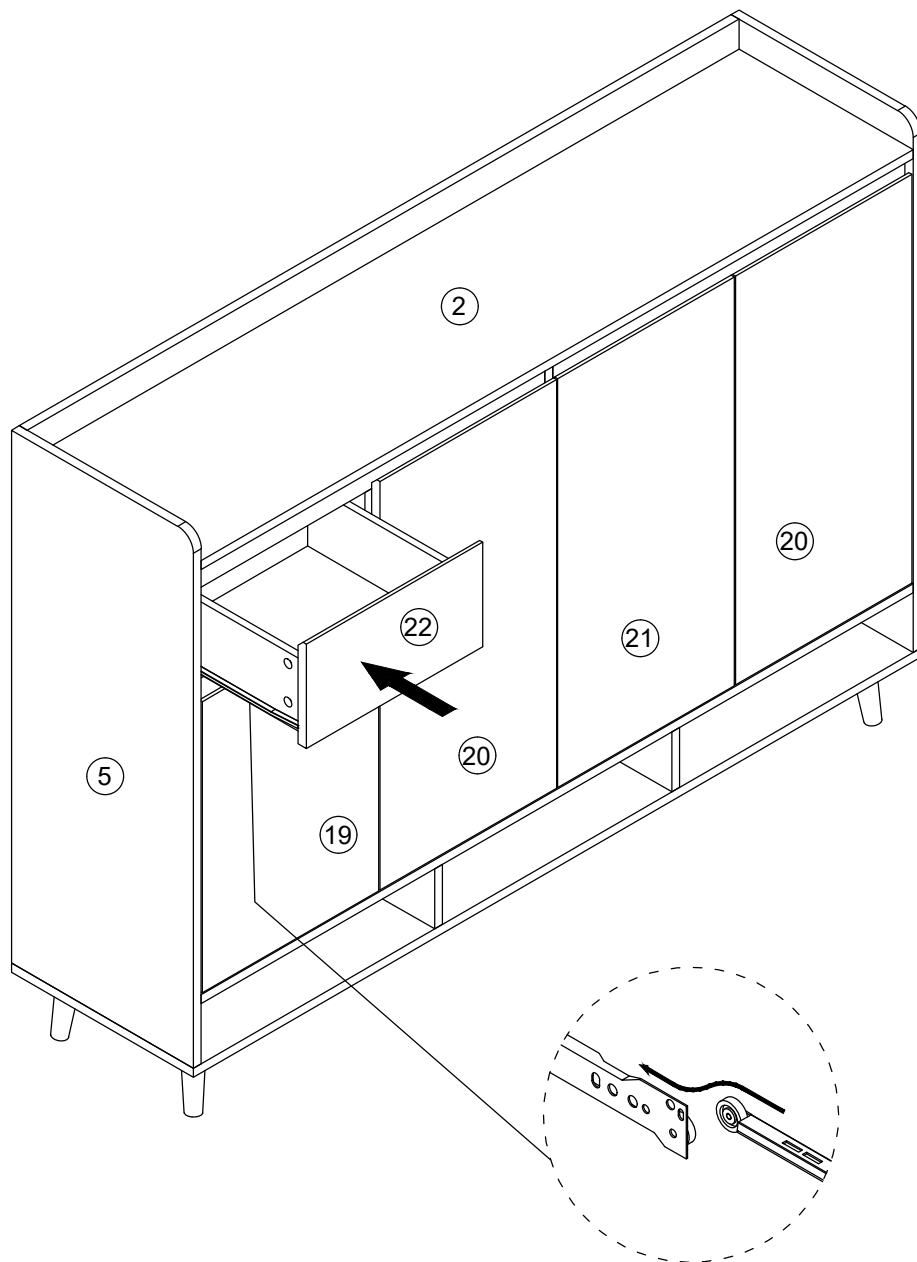
## Step 28



- |                    |   |
|--------------------|---|
| (F)                |  |
| 3.5*12mm Screw x 4 |   |
| (DL)               |  |
| 300mm runner x 1   |   |
| (DR)               |  |
| 300mm runner x 1   |   |

# Assembly Instructions

## Step 29



# Assembly Instructions

## Step 30

