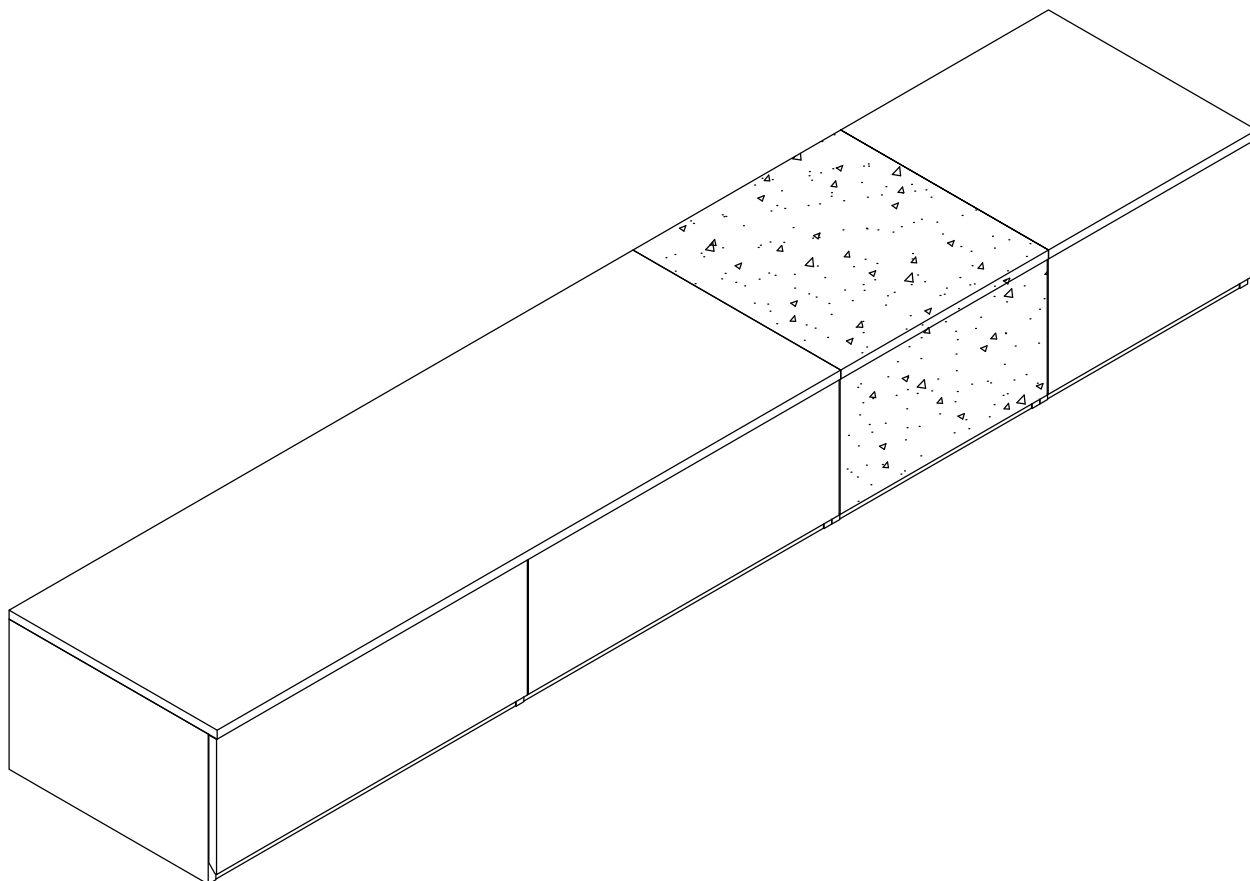


TV Cabinet

Assembly Instructions - Please keep for future reference



Dimensions

Width-78.74inch

Depth-15.75inch

Height-10.43inch

Important – Please read these instructions fully before starting assembly



Safety and Care Advice

Important – Please read these instructions fully before starting assembly

- Check you have all the components and tools listed on the following pages.
- Remove all fittings from the plastic bags and separate them into their groups.
- Keep children and animals away from the work area, small parts could choke if swallowed.
- Make sure you have enough space to layout the parts before starting.

- During assembly do not stand or put weight on the product, this could cause damage.
- Assemble the item as close to its final position (in the same room) as possible.
- Assemble on a soft level surface to avoid damaging the unit or your floor.
- Parts of the assembly will be easier with 2 people.



power drill is set on a low torque setting.

- To reduce the likelihood of damaging your product please ensure that your

Care and maintenance

• Only clean using a damp cloth and mild detergent, do not use bleach or abrasive cleaners.

• From time to time check that there are no loose screws on this unit.

• This product should not be discarded with household waste. Take to your local authority waste disposal centre.

Handy Hints

• Assemble all parts and bolts loosely during assembly, only once the product is complete should you fully tighten the bolts

• Regularly check and ensure That all bolts and fittings are tightend properly.

WARNING
In order to help prevent overturning –
please follow these instructions

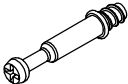

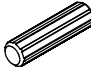





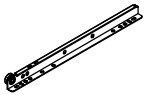
To help prevent product toppling over please follow the below steps:-

- Use the anti tip stap or wall fixing method provided (if applicable)
- Do not allow children to climb or hang on the furniture
- Do not open more than one drawer at a time
- Do not place heavy items in the top drawers
- Do not place heavy items on top of the furniture, unless the furniture has been designed for this purpose

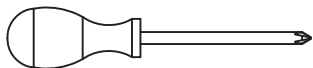
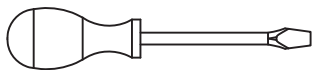
Components - Fittings

Please check you have all the panels listed below

Note: The quantities below are the correct amount to complete the assembly. In some cases more fittings may be supplied than are required.

<p>(A) </p> <p>Cam Bolt x 64+3</p>	<p>(B) </p> <p>Cam lock x 64+3</p>	<p>(C) </p> <p>Dowel x 16+1</p>	<p>(D) </p> <p>4*35mm Screw x 20+2</p>
<p>(F) </p> <p>3.5*12mm Screw x 32+3</p>	<p>(CL) </p> <p>300mm runner x 4</p>	<p>(CR) </p> <p>300mm runner x 4</p>	<p>(DL) </p> <p>300mm runner x 4</p>
<p>(DR) </p> <p>300mm runner x 4</p>			

Tools required



Phillips screwdriver
(medium & large)

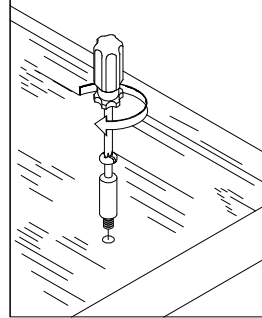
Using Camlocks

Step 1

Connect the male camlock as directed in the assembly instructions using a screwdriver.

1

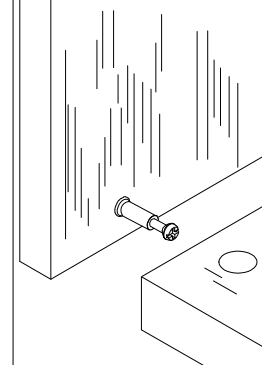
DO NOT OVER TIGHTEN.
NE PAS SERRER EXCESSIVEMENT.



Step 2

Push the male camlock into the entry hole.

2

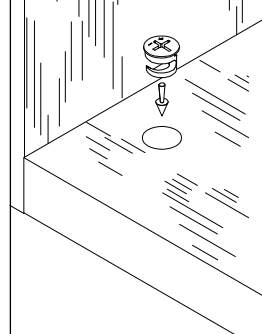


Step 3

Insert the female camlock as shown in the instruction.

Note: ensure that the arrow on the top of the camlock points towards the entry hole for the male camlock.

3



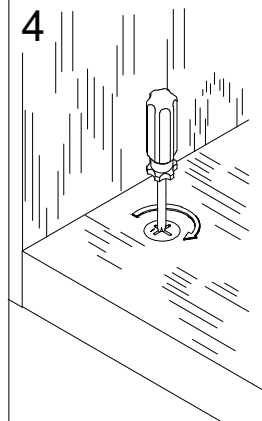
Step 4

Turn the female camlock clockwise with a screwdriver.

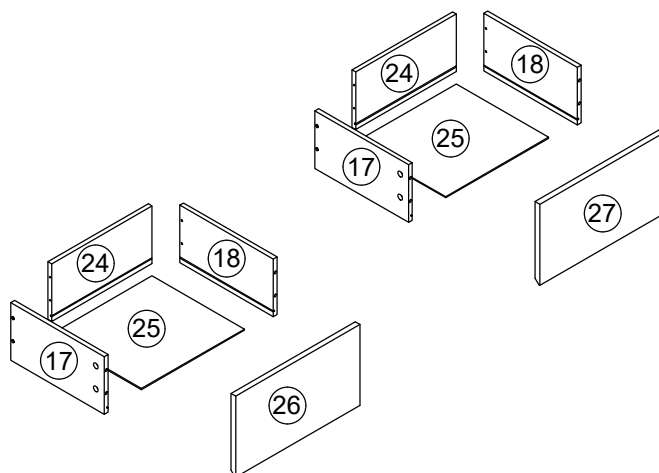
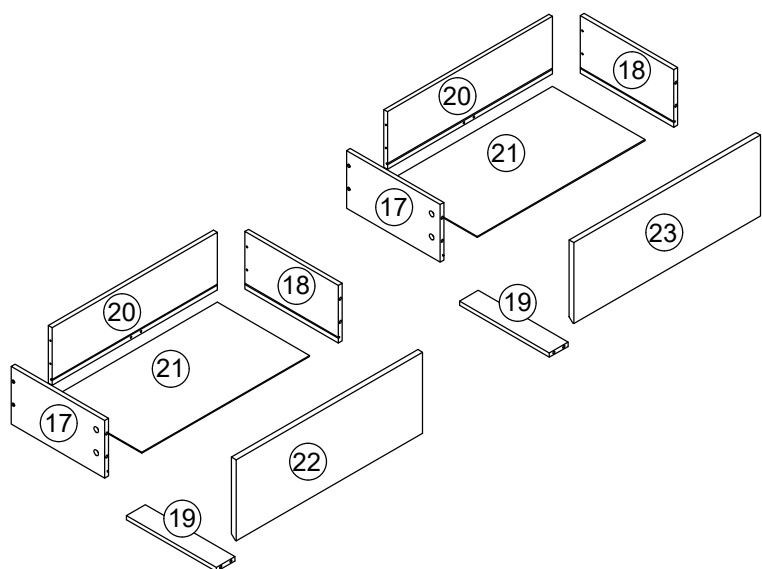
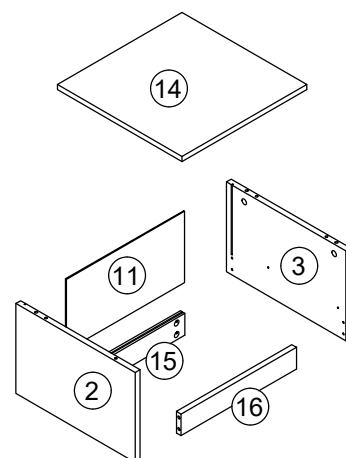
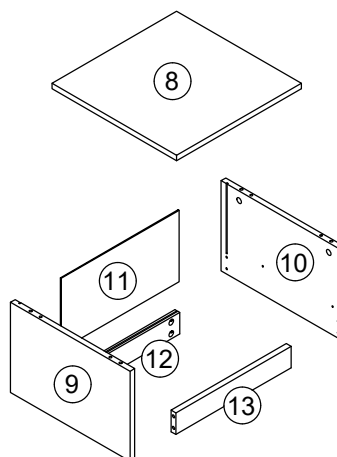
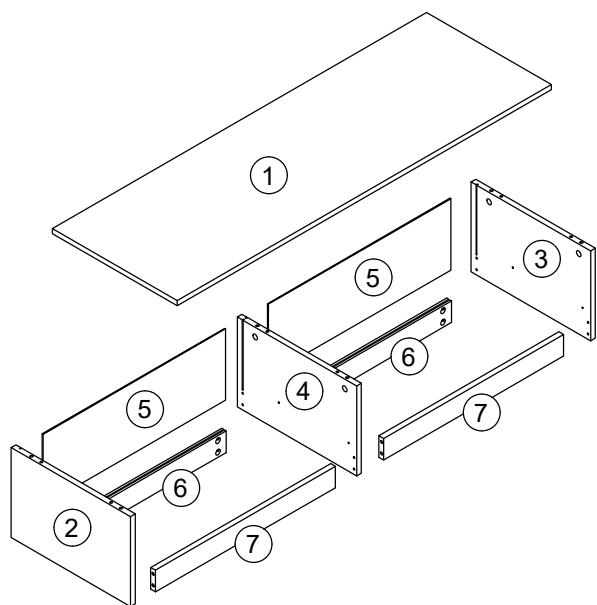
You should feel a click when the camlock is locked in place.

The joint is now secure.

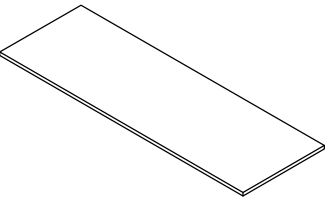
4



Assembly Instructions

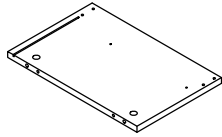


PART LIST



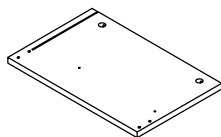
① X1

Panel
1200x400x15mm



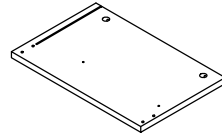
② X2

Left side panel
250x383x15mm



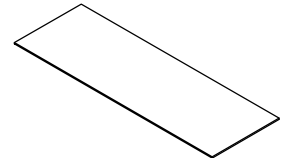
③ X2

Right side panel
250x383x15mm



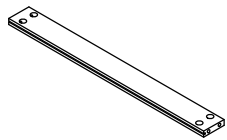
④ X1

Middle side panel
250x383x15mm



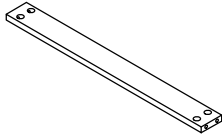
⑤ X2

Backboard
584x200x3mm



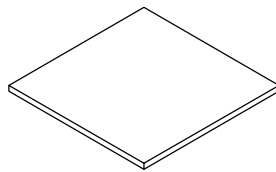
⑥ X2

Rear cabinet pull rod
577x60x15mm



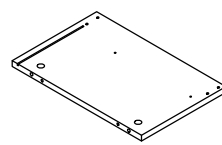
⑦ X2

Cabinet front pull rod
577x60x15mm



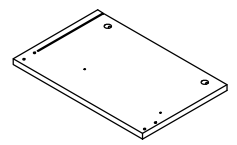
⑧ X1

Middle panel
400x400x15mm



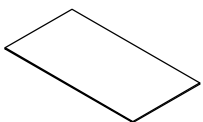
⑨ X1

Left side panel
250x383x15mm



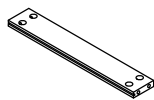
⑩ X1

Right side panel
250x383x15mm



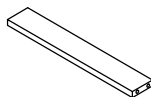
⑪ X2

Backboard
380x200x3mm



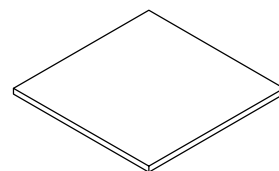
⑫ X1

Rear cabinet pull rod
370x60x15mm



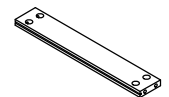
⑬ X1

Cabinet front pull rod
370x60x15mm



⑭ X1

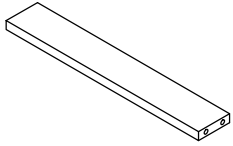
Left panel
400x400x15mm



⑮ X1

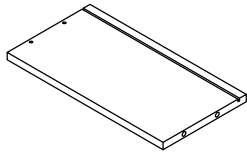
Rear cabinet pull rod
370x60x15mm

PART LIST



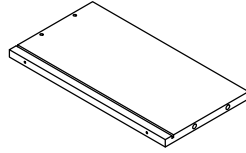
①⑥ X1

Cabinet front pull rod
370x60x15mm



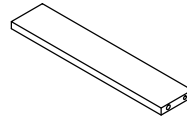
①⑦ X4

Drawer left panel
300x160x12mm



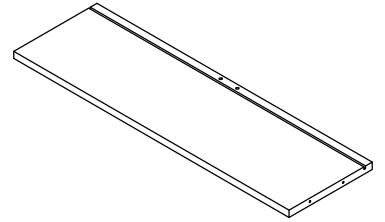
①⑧ X4

Drawer right panel
300x160x12mm



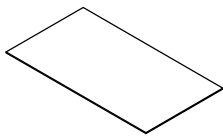
①⑨ X2

Drawer bottom pull rod
288x60x15mm



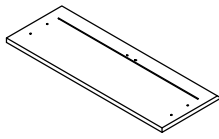
①⑩ X2

Left drawer rear panel
528x160x12mm



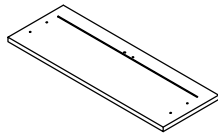
①⑪ X2

Drawer bottom plate
537x288x3mm



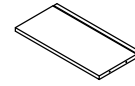
①⑫ X1

Left drawer panel
597.8x225x15mm



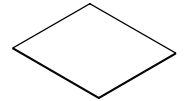
①⑬ X1

Right drawer panel
597.8x225x15mm



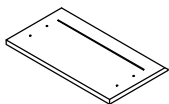
①⑭ X2

Right drawer rear panel
321x160x12mm



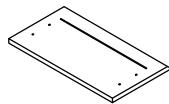
①⑮ X2

Drawer bottom plate
330x288x3mm



①⑯ X1

Drawer panel
398x225x15mm

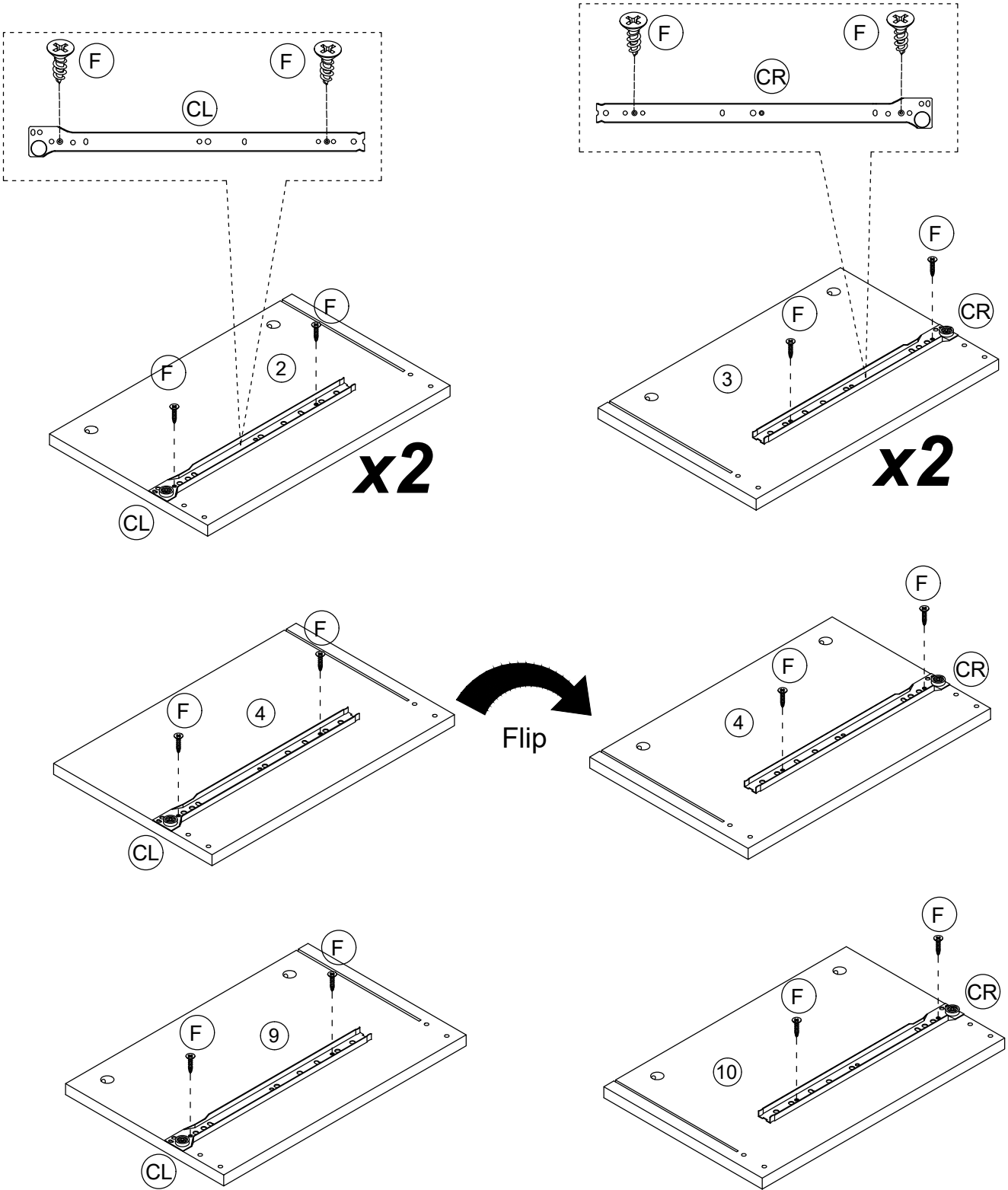


①⑰ X1

Drawer panel
398x225x15mm

Assembly Instructions

Step 1



(F)



3.5*12mm Screw x 16

(CL)



300mm runner x 4

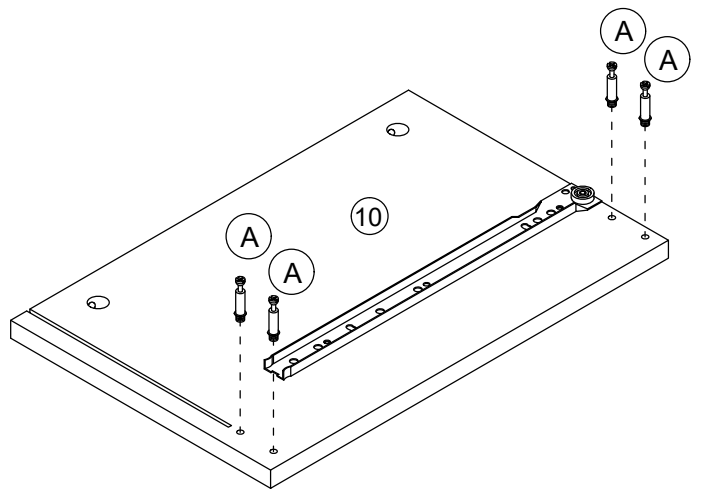
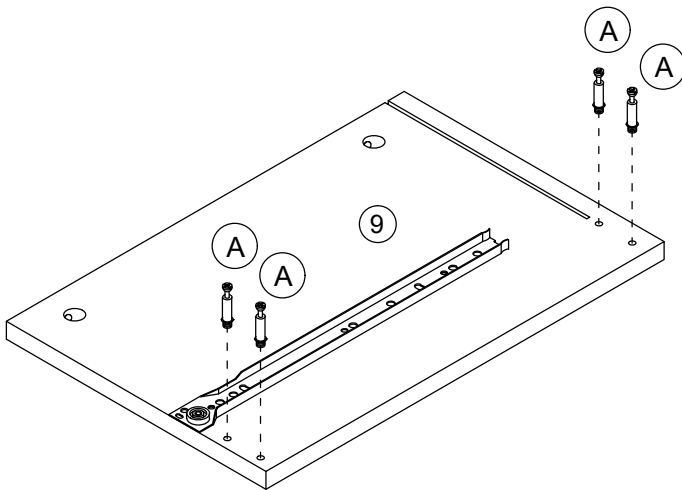
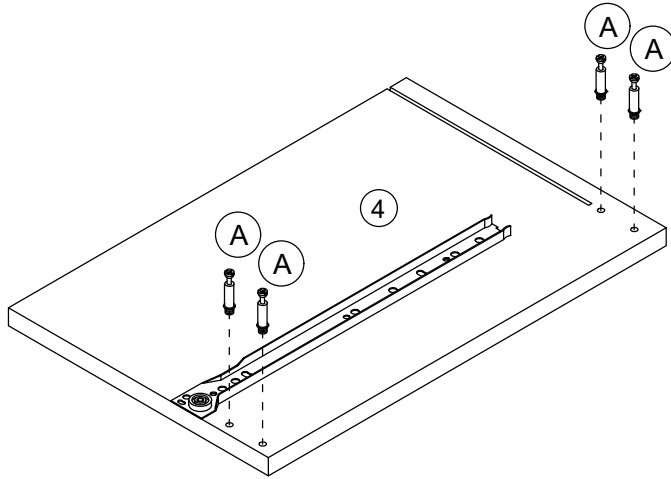
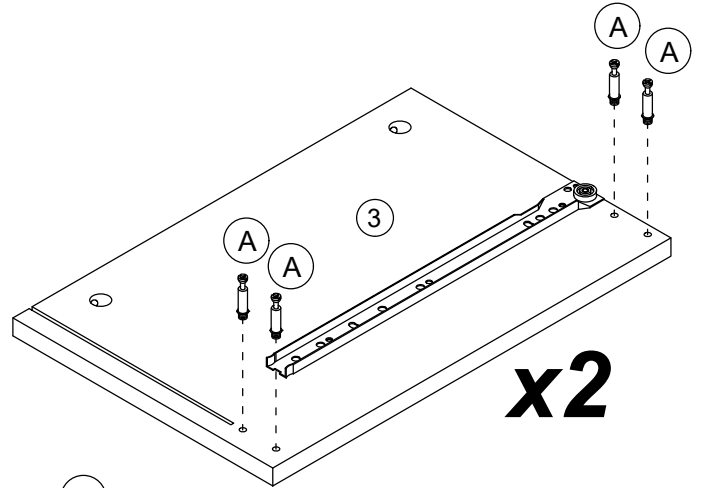
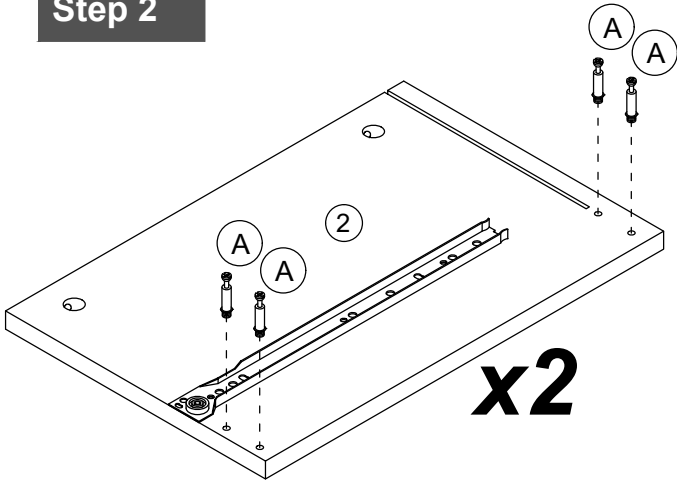
(CR)



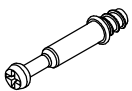
300mm runner x 4

Assembly Instructions

Step 2



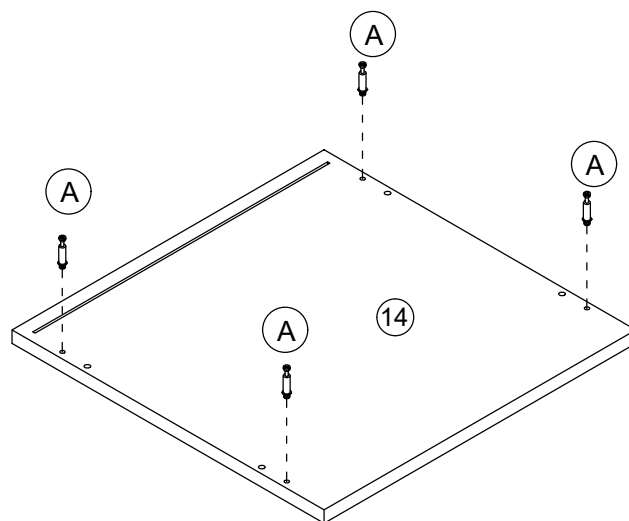
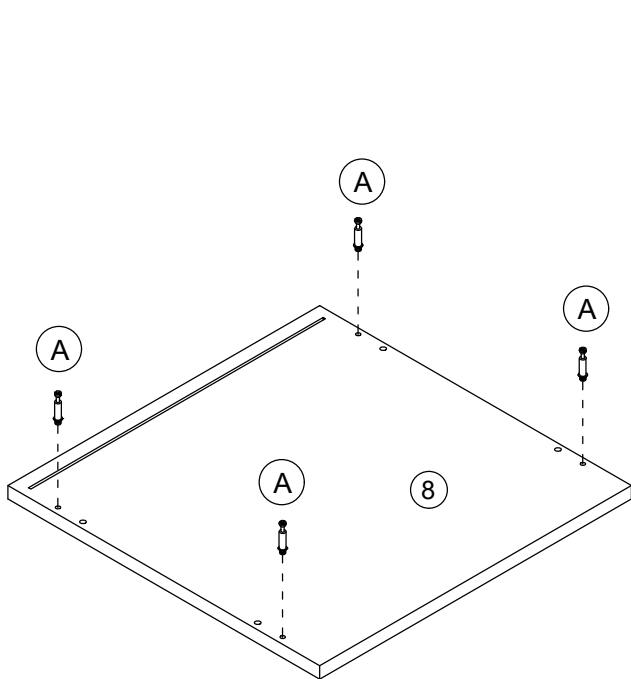
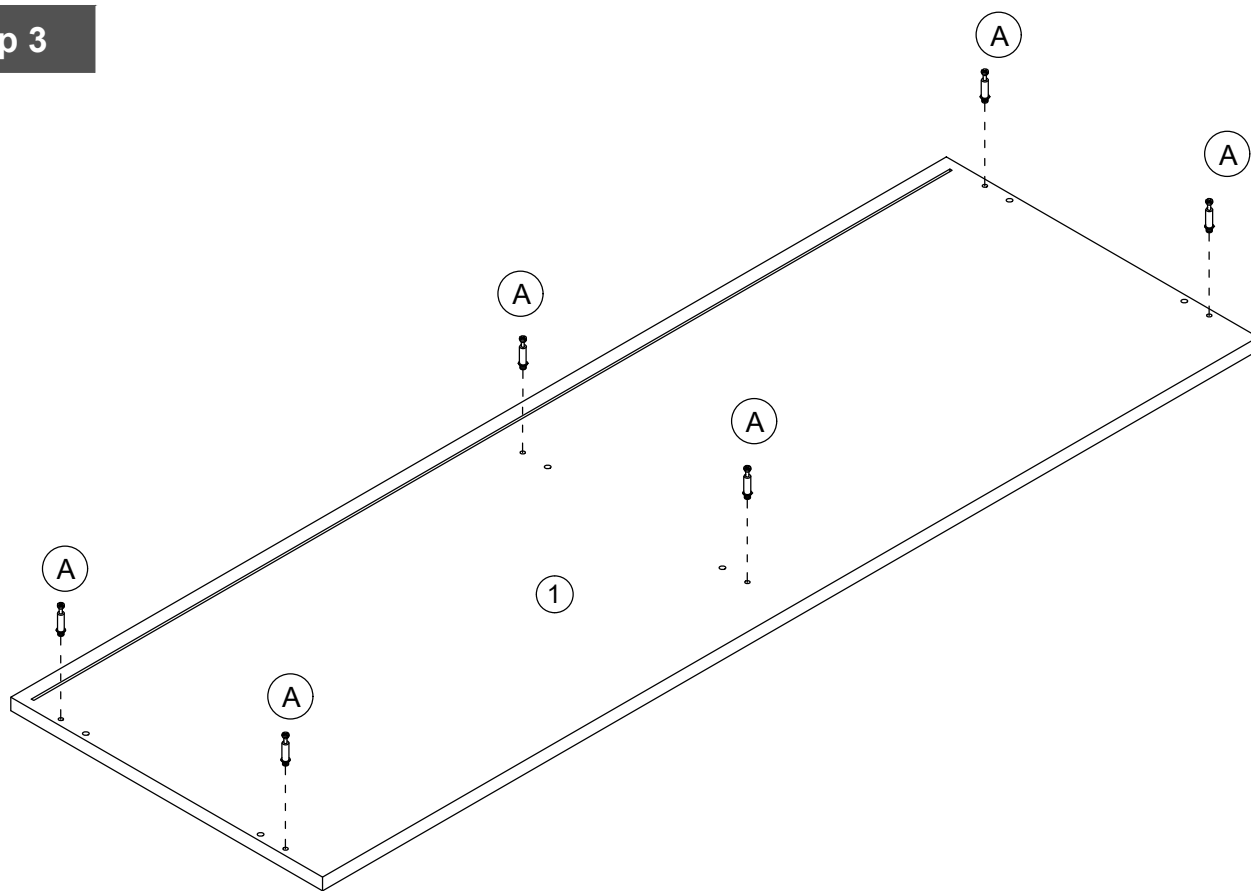
A



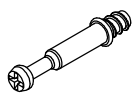
Cam Bolt x 28

Assembly Instructions

Step 3



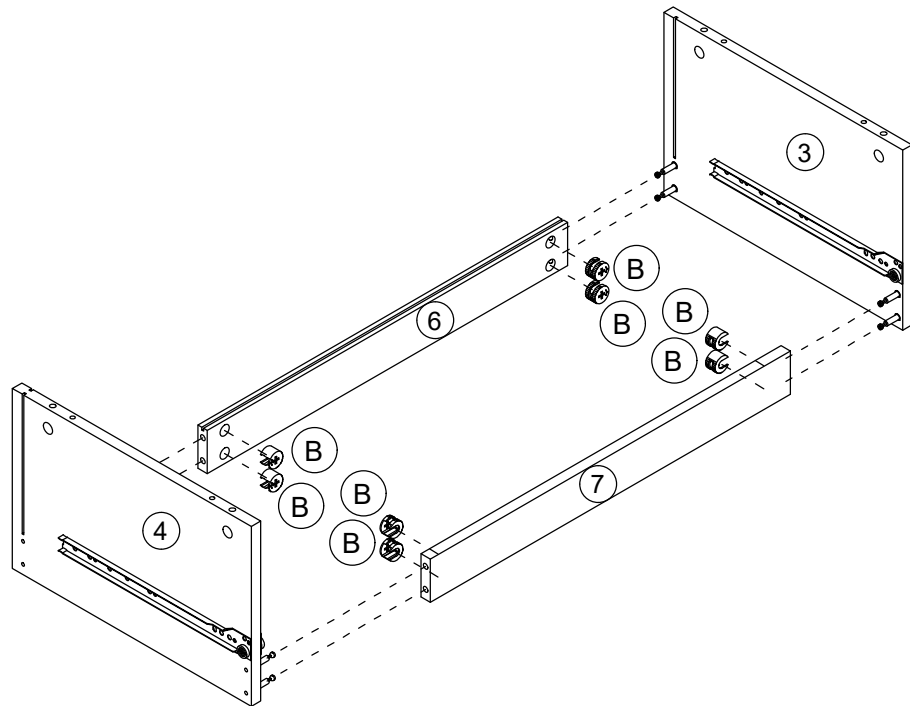
A



Cam Bolt x 14

Assembly Instructions

Step 4

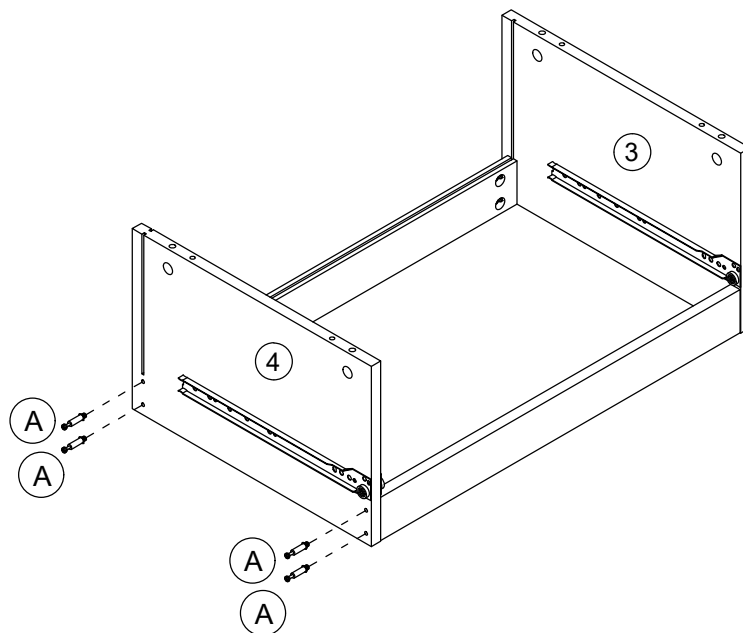


B

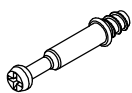


Cam lock x 8

Step 5



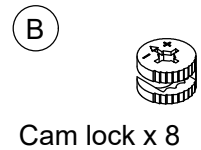
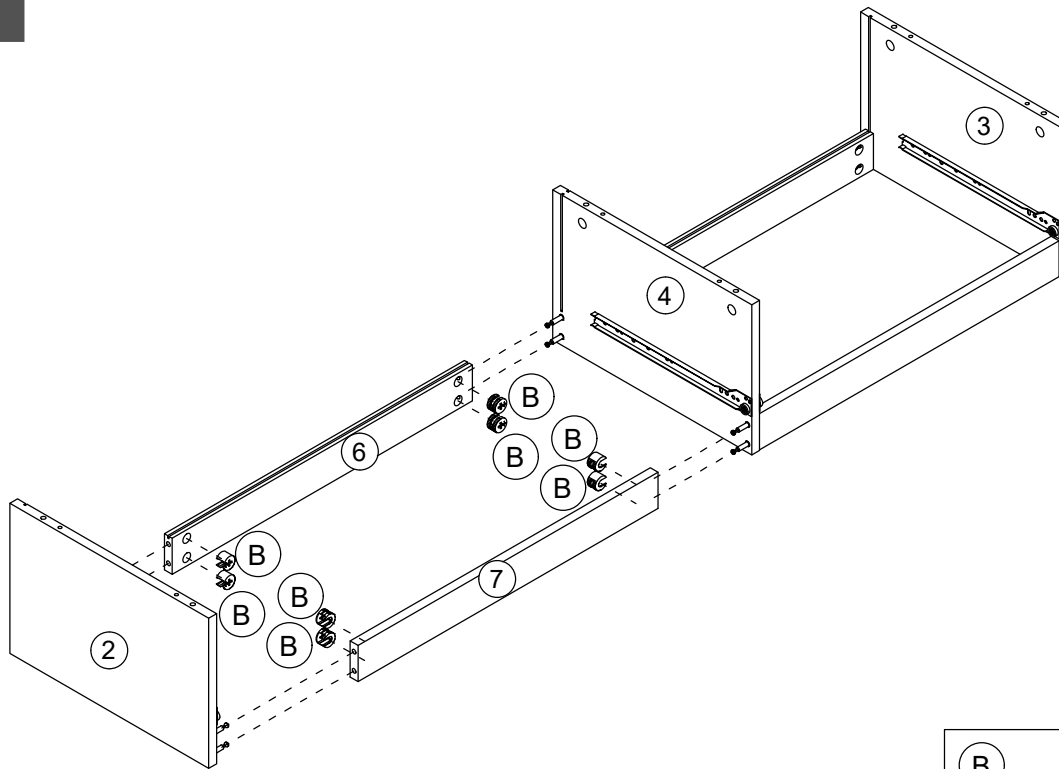
A



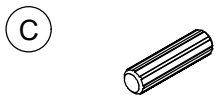
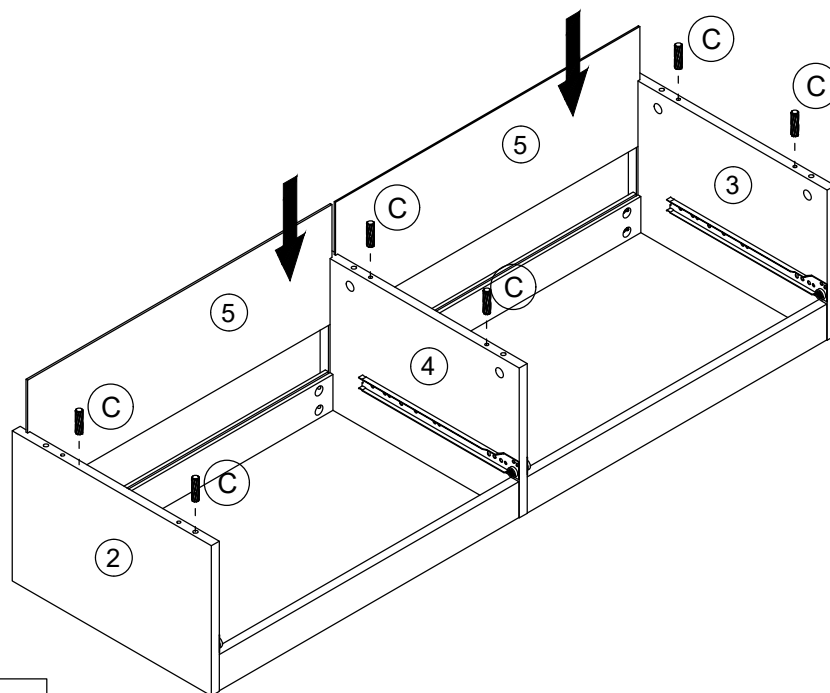
Cam Bolt x4

Assembly Instructions

Step 6



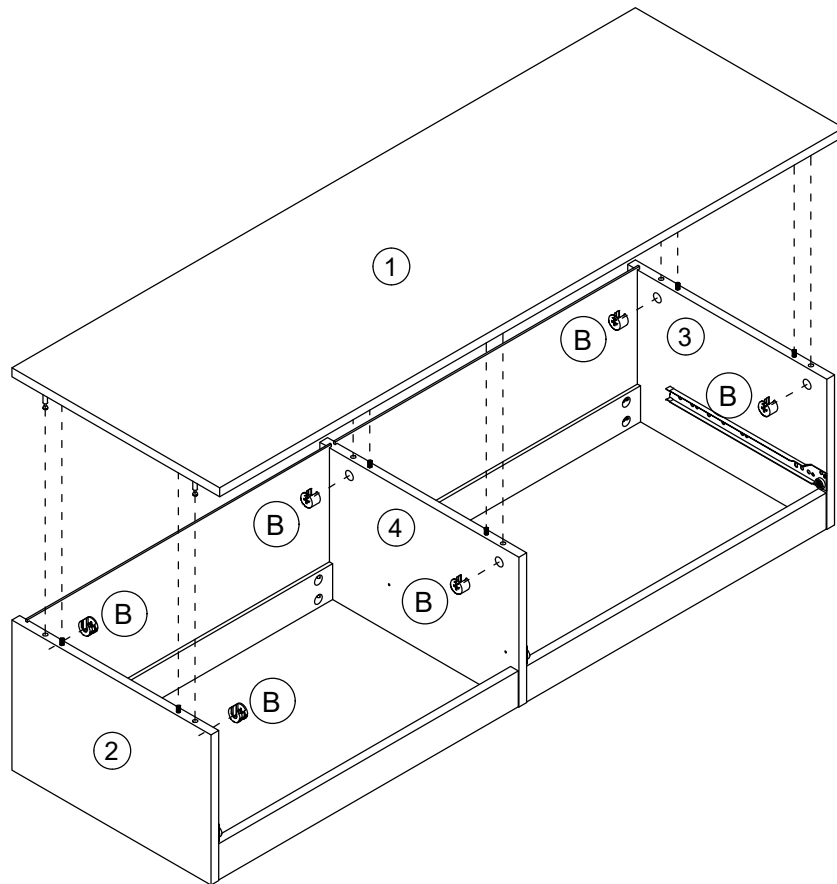
Step 7



Dowel x 6

Assembly Instructions

Step 8

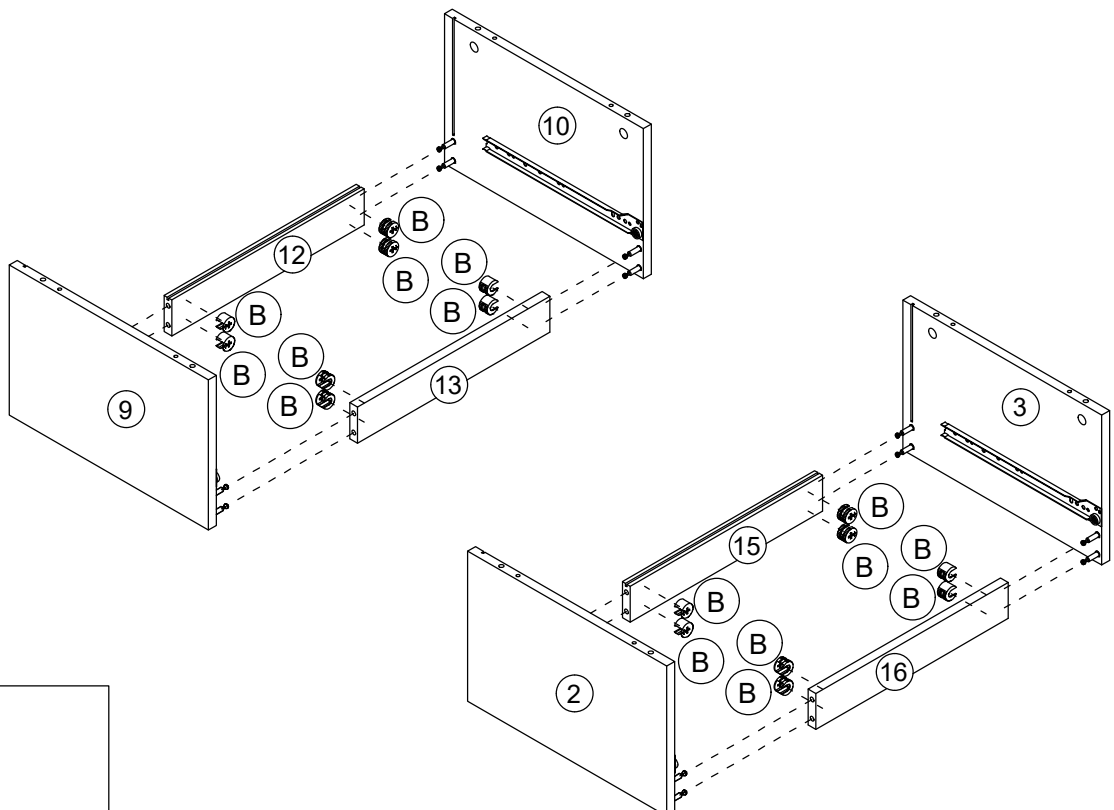


B



Cam lock x 6

Step 9



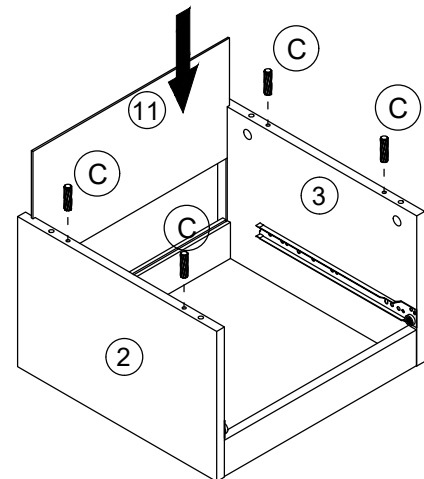
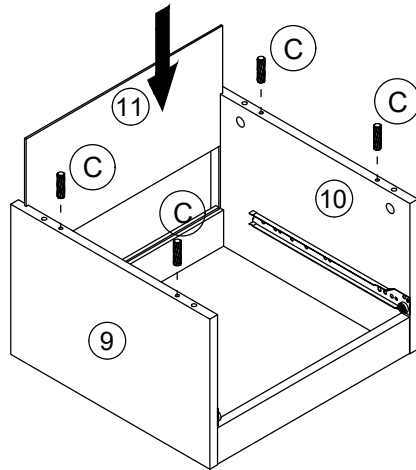
B



Cam lock x 16

Assembly Instructions

Step 10

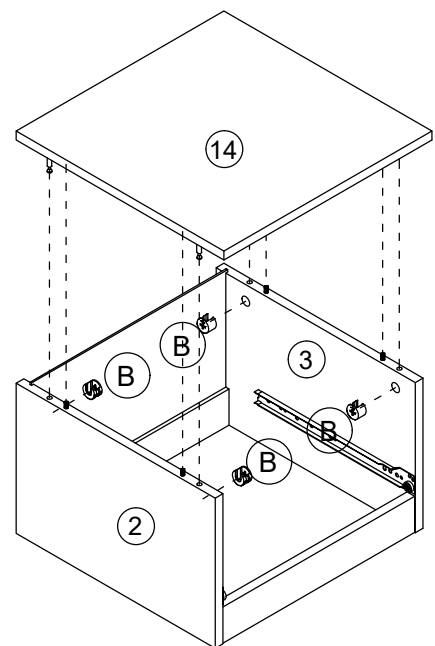
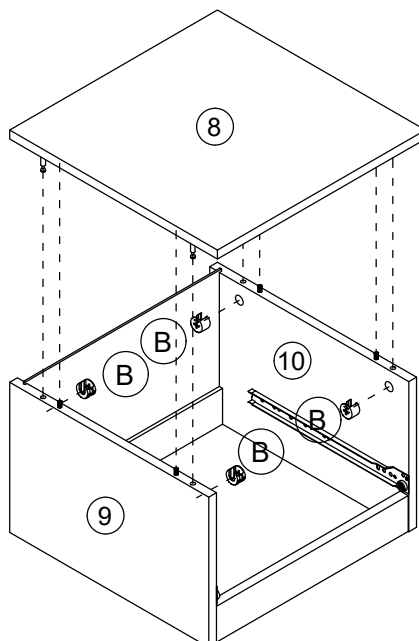


C



Dowel x 8

Step 11



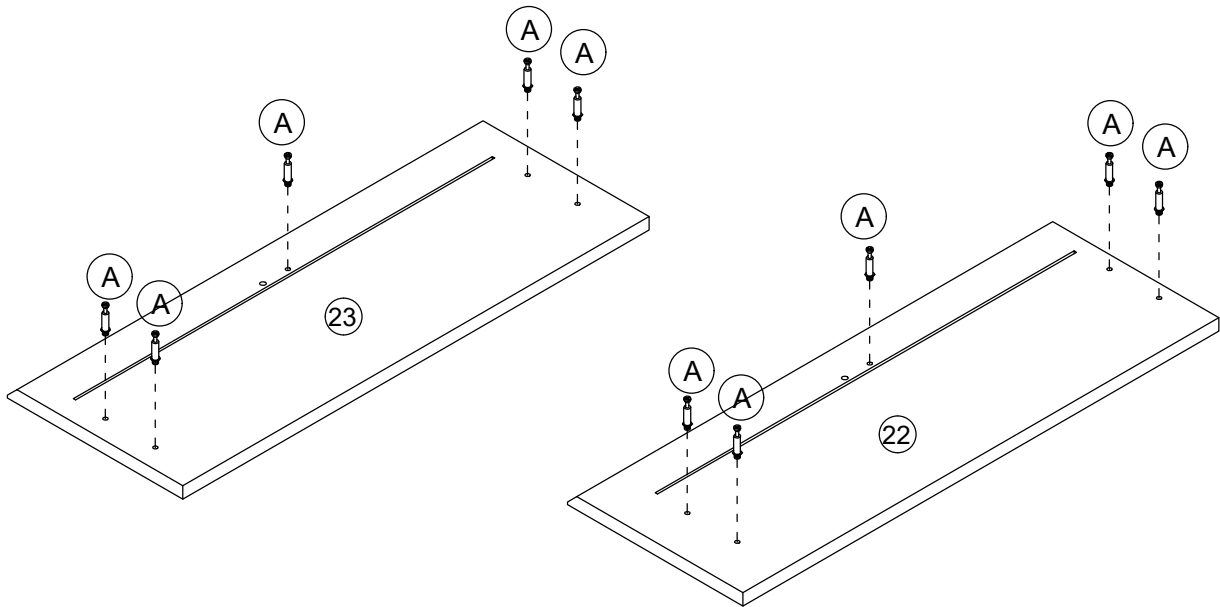
B



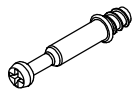
Cam lock x 8

Assembly Instructions

Step 12

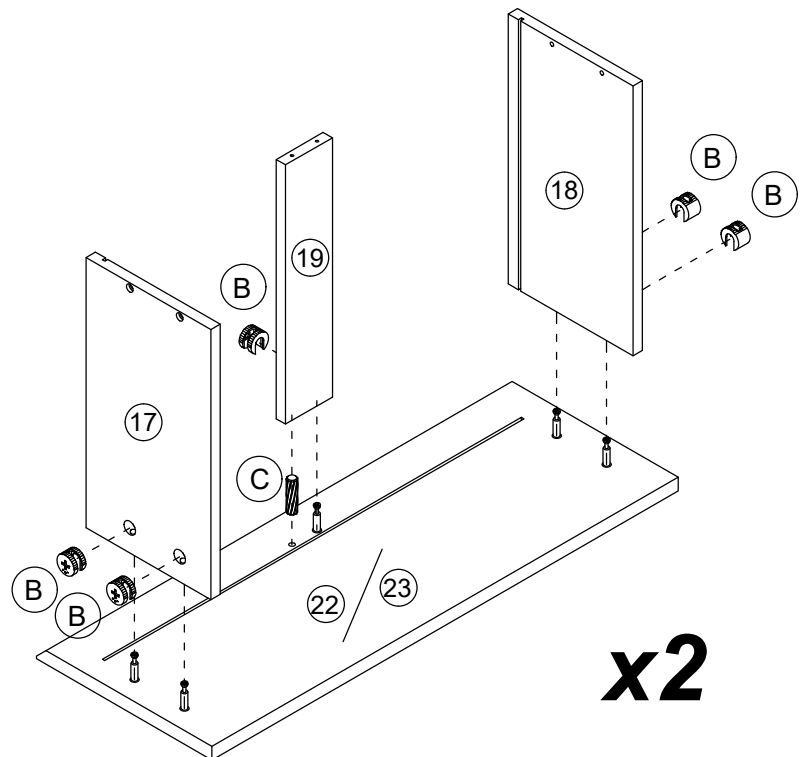


A



Cam Bolt x 10

Step 13



B



Cam lock x 10

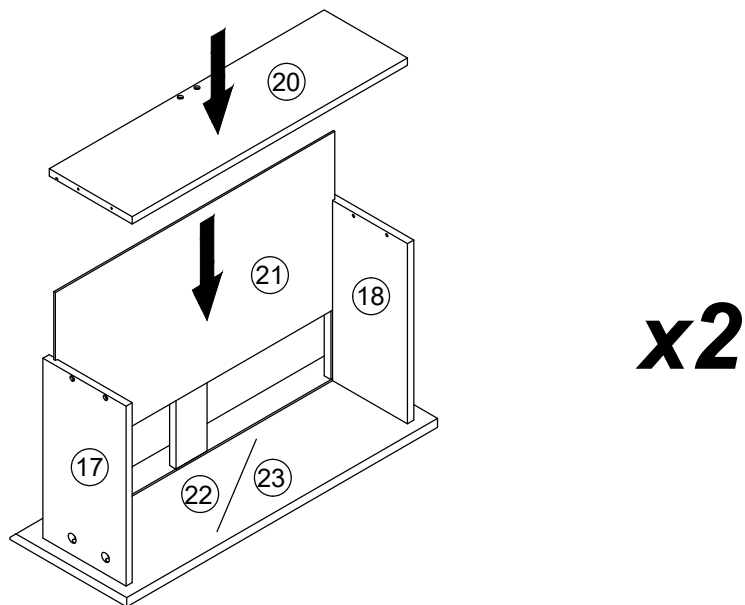
C



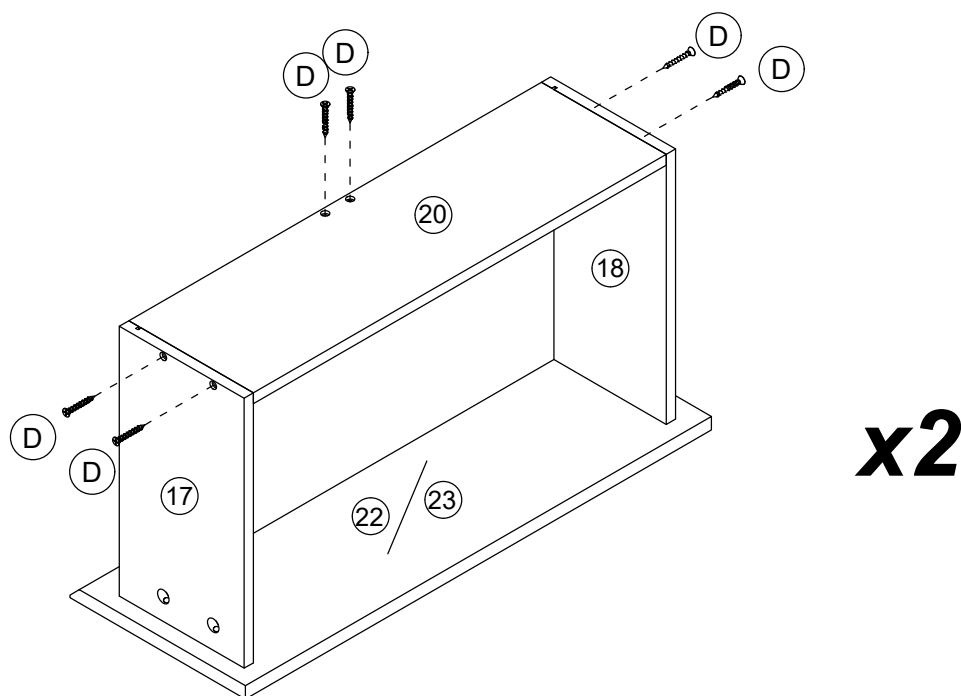
Dowel x 2

Assembly Instructions

Step 14



Step 15



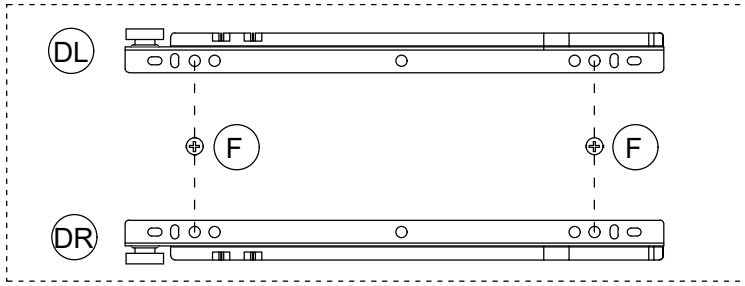
D



4*35mm Screw x 12

Assembly Instructions

Step 16



F



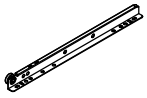
3.5*12mm Screw x 8

DL

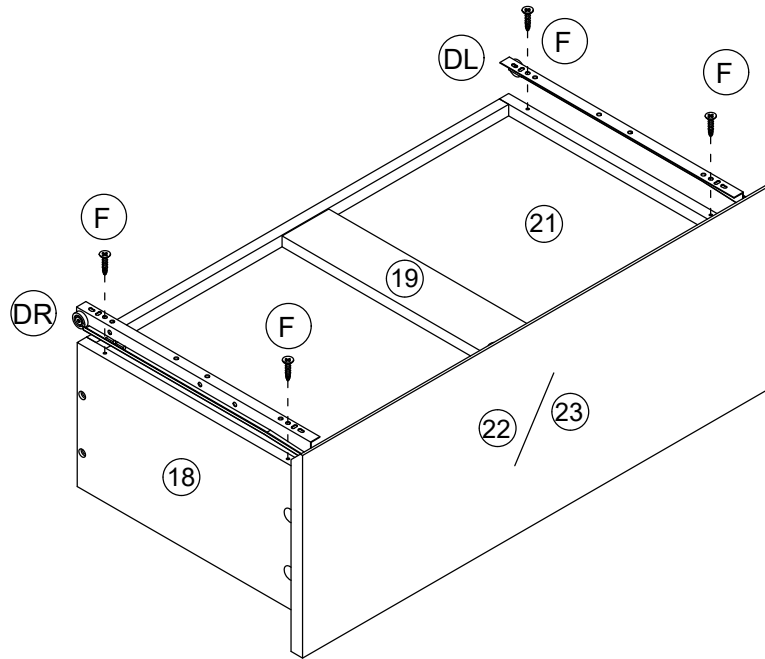


300mm runner x 2

DR

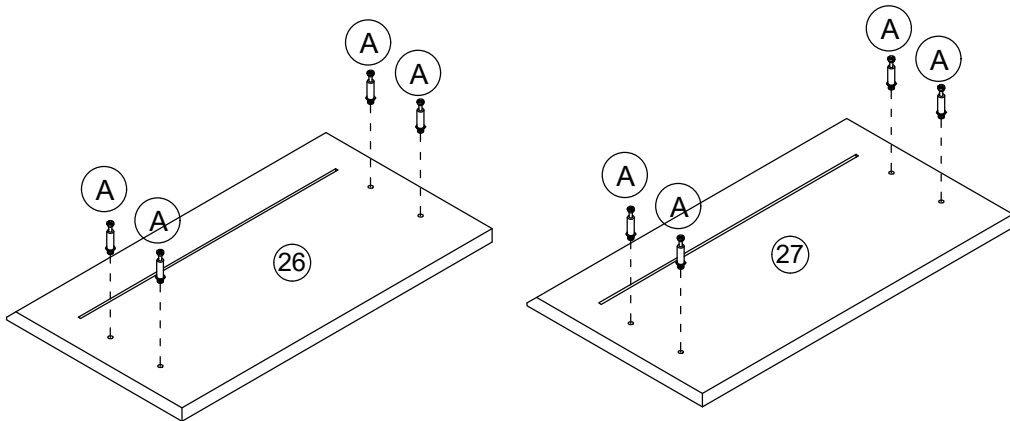


300mm runner x 2

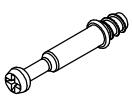


x2

Step 17



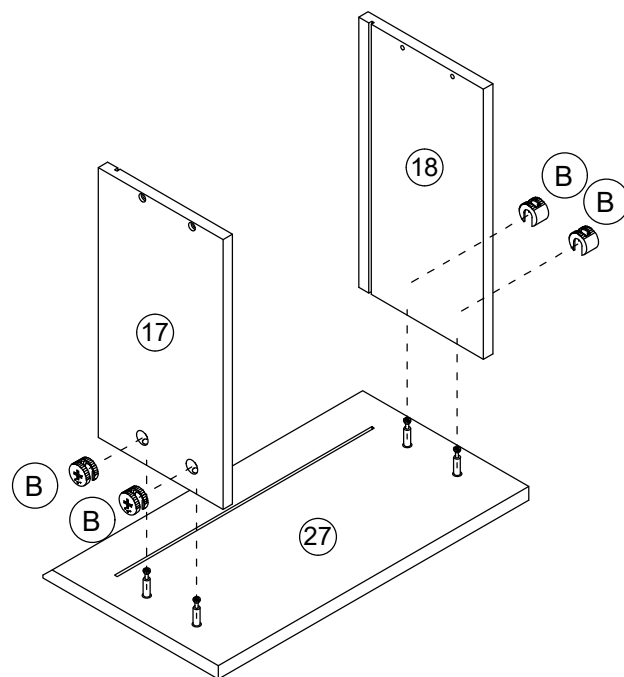
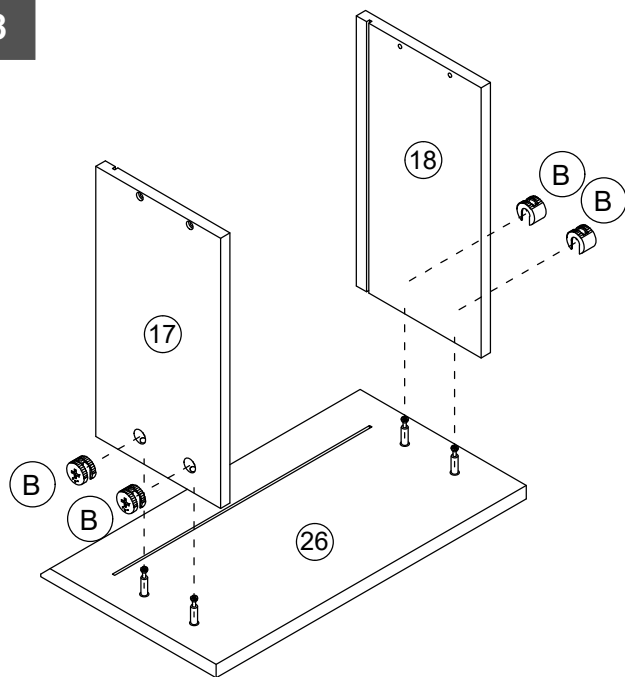
A



Cam Bolt x 8

Assembly Instructions

Step 18

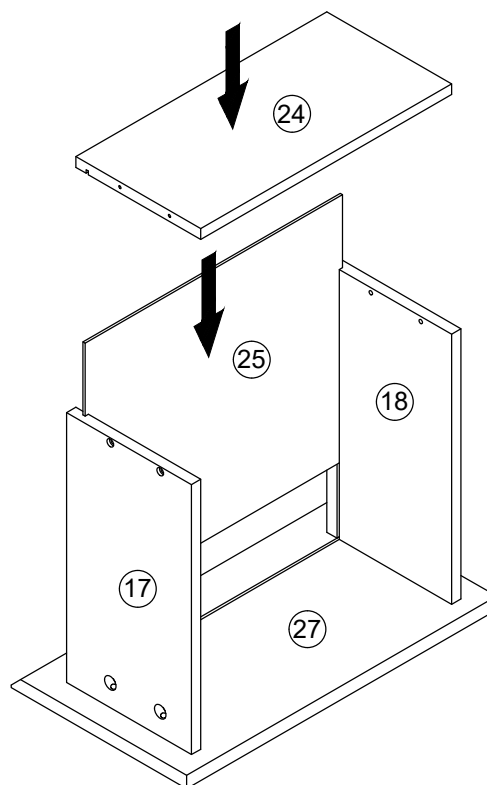
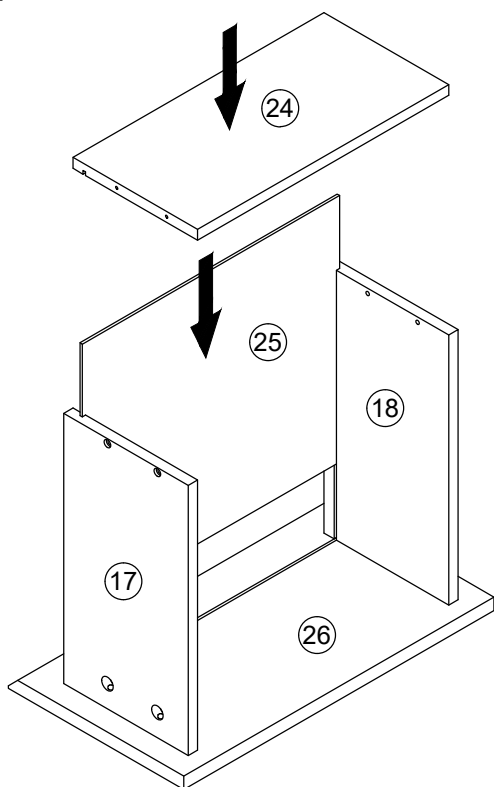


B



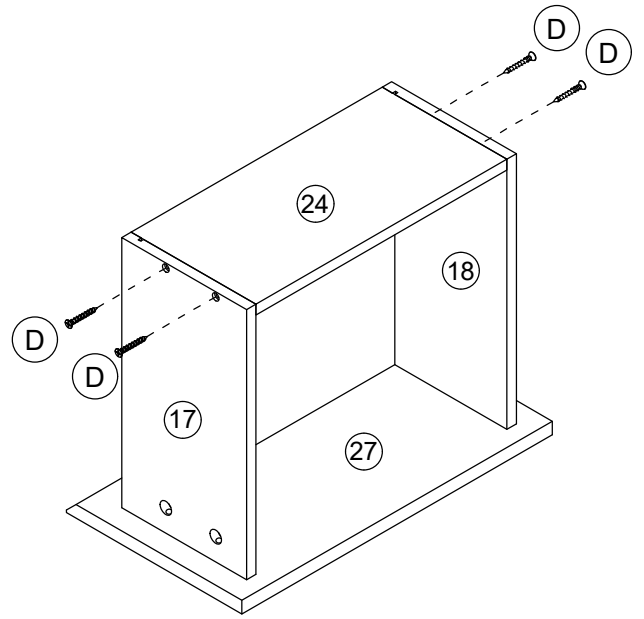
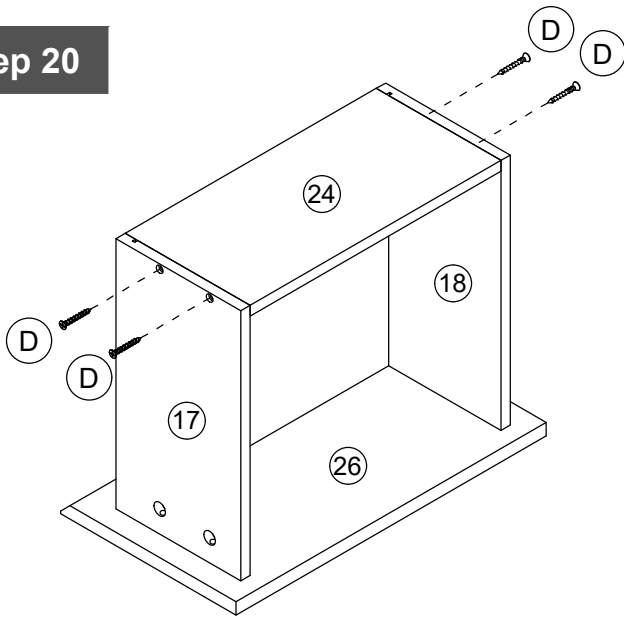
Cam lock x 8

Step 19



Assembly Instructions

Step 20

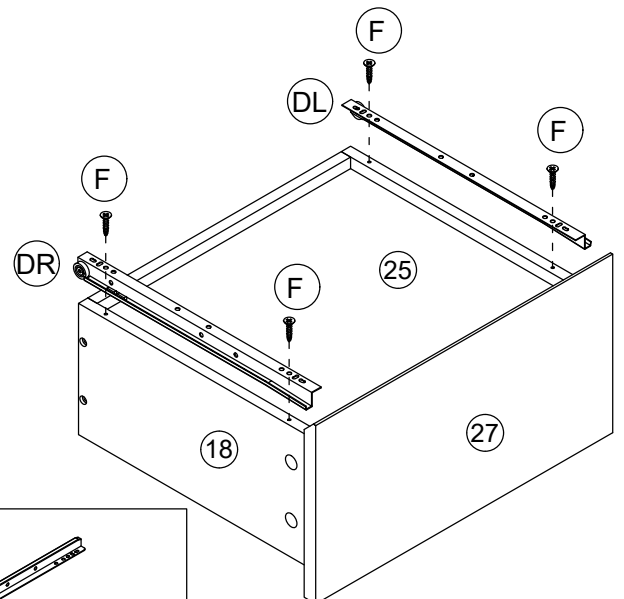
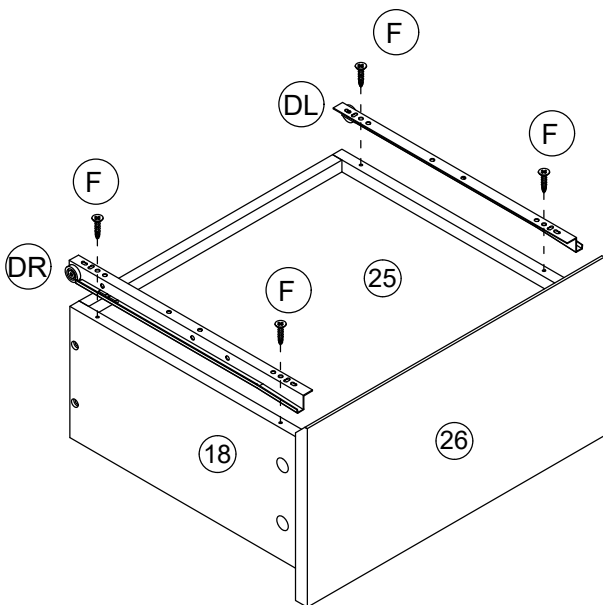
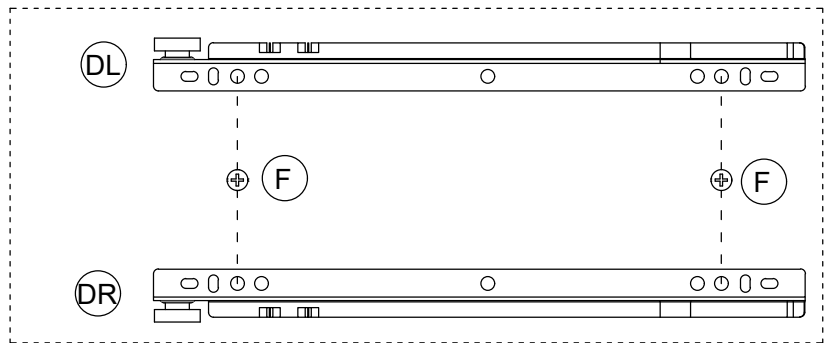


D



4*35mm Screw x 8

Step 21



F



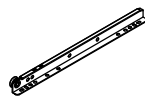
3.5*12mm Screw x 8

DL



300mm runner x 2

DR



300mm runner x 2

Assembly Instructions

Step 22

