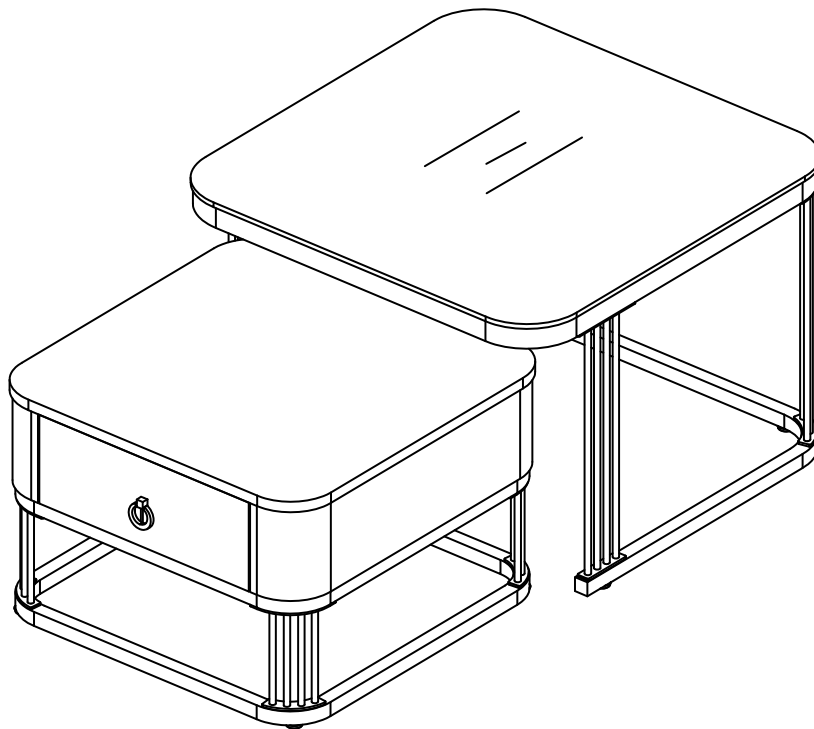


COFFEE TABLE

Assembly Instructions - Please keep for future reference



Dimensions

Width-23.62inch
Depth-23.62inch
Height-16.54 inch

Dimensions

Width-19.68inch
Depth-19.68inch
Height-12.99inch

Important – Please read these instructions fully before starting assembly



Safety and Care Advice

Important – Please read these instructions fully before starting assembly

- Check you have all the components and tools listed on the following pages.
- Remove all fittings from the plastic bags and separate them into their groups.
- Keep children and animals away from the work area, small parts could choke if swallowed.
- Make sure you have enough space to layout the parts before starting.

- During assembly do not stand or put weight on the product, this could cause damage.
- Assemble the item as close to its final position (in the same room) as possible.
- Assemble on a soft level surface to avoid damaging the unit or your floor.
- Parts of the assembly will be easier with 2 people.



power drill is set on a low torque setting.

- To reduce the likelihood of damaging your product please ensure that your

Care and maintenance

- Only clean using a damp cloth and mild detergent, do not use bleach or abrasive cleaners.
- From time to time check that there are no loose screws on this unit.
- This product should not be discarded with household waste. Take to your local authority waste disposal centre.

Handy Hints

- Assemble all parts and bolts loosely during assembly, only once the product is complete should you fully tighten the bolts
- Regularly check and ensure That all bolts and fittings are tightend properly.

WARNING
In order to help prevent overturning – please follow these instructions





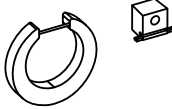

To help prevent product toppling over please follow the below steps:-

- Use the anti tip stap or wall fixing method provided (if applicable)
- Do not allow children to climb or hang on the furniture
- Do not open more than one drawer at a time
- Do not place heavy items in the top drawers
- Do not place heavy items on top of the furniture, unless the furniture has been designed for this purpose

Components - Fittings

Please check you have all the panels listed below

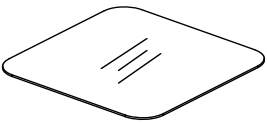
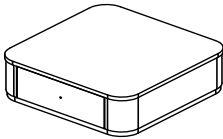
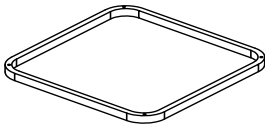

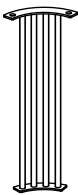
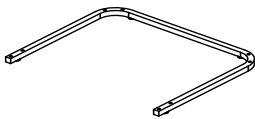

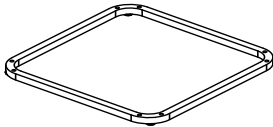
Note: The quantities below are the correct amount to complete the assembly. In some cases more fittings may be supplied than are required.

 <p>M4 A x1PC</p>	 <p>M6*10mm B x16PCS</p>	 <p>M6*30mm C x16PCS</p>
 <p>Ø20 D x4PCS</p>	 <p>Ø40 E x1PC</p>	 <p>M4*23mm F x1PC</p>

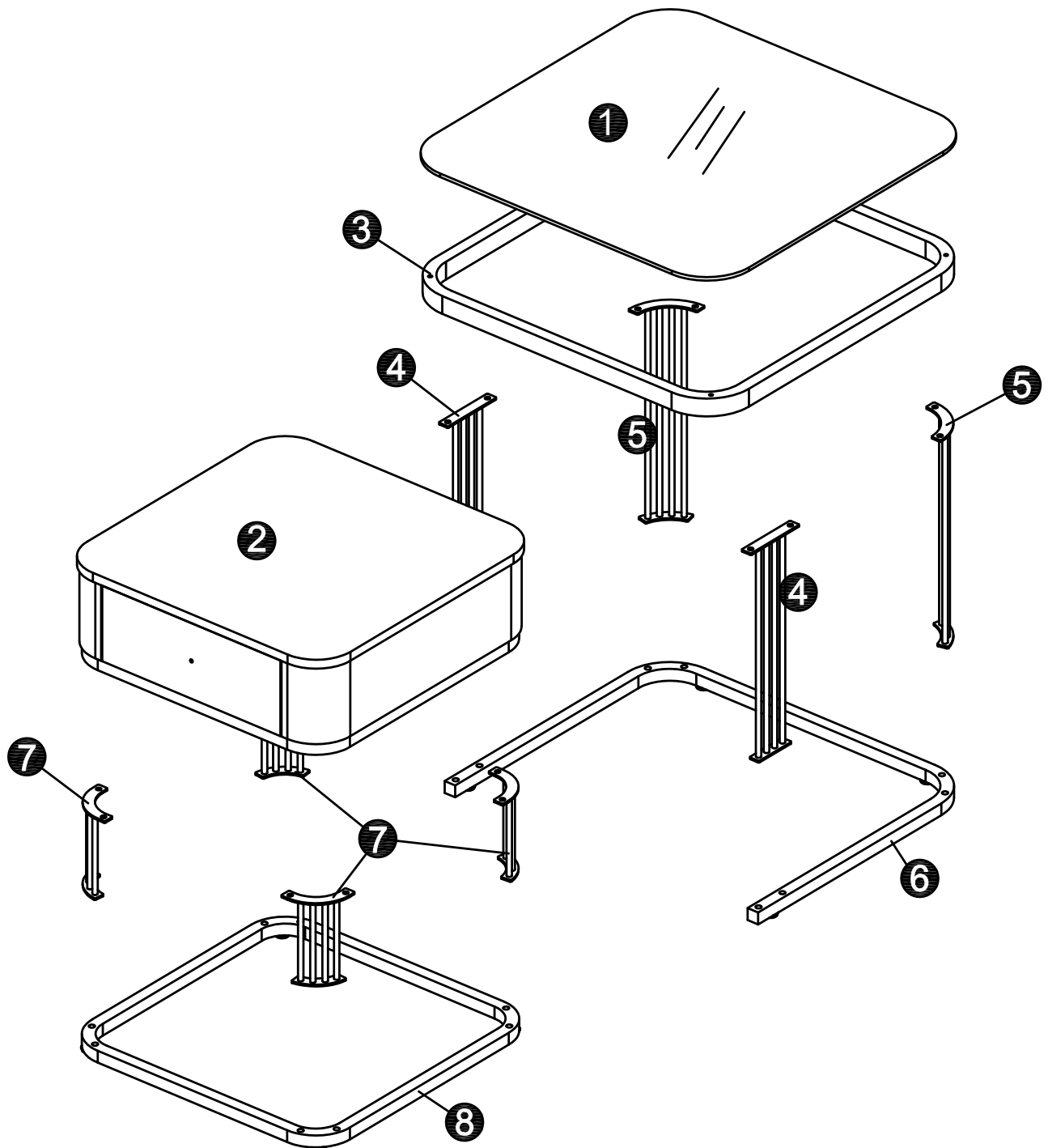
Tools required



Hexagon wrench

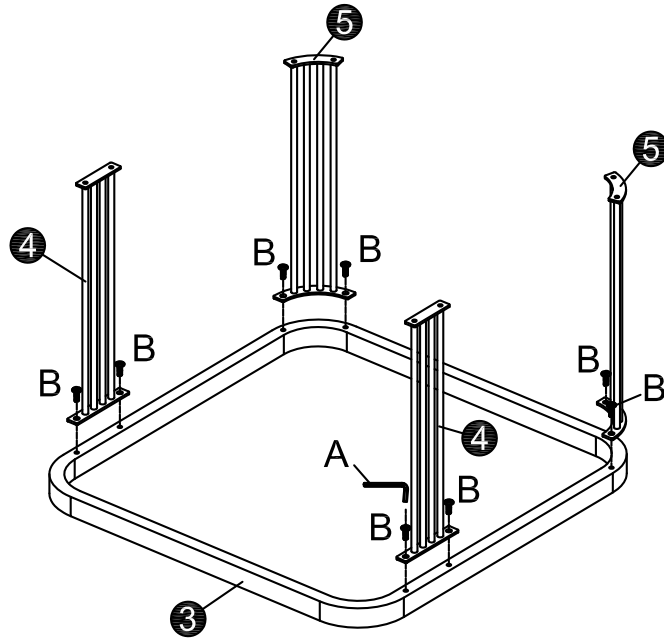
 <p>1 x1PC</p>	 <p>2 x1PC</p>	 <p>3 x1PC</p>	 <p>4 x2PCS</p>
 <p>5 x2PCS</p>	 <p>6 x1PC</p>	 <p>7 x4PCS</p>	 <p>8 x1PC</p>



Assembly Instructions



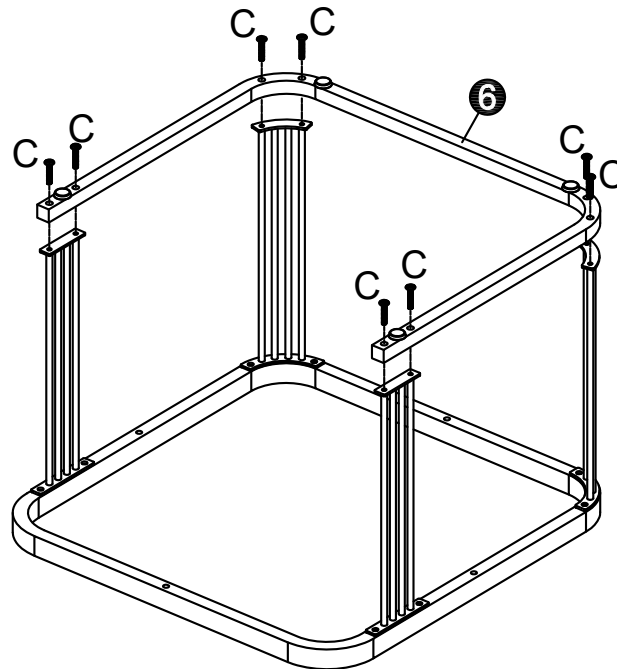
Assembly Instructions

Step 1




- | | | |
|---|---|------|
| A |  | 1PC |
| B |  | 8PCS |

Step 2

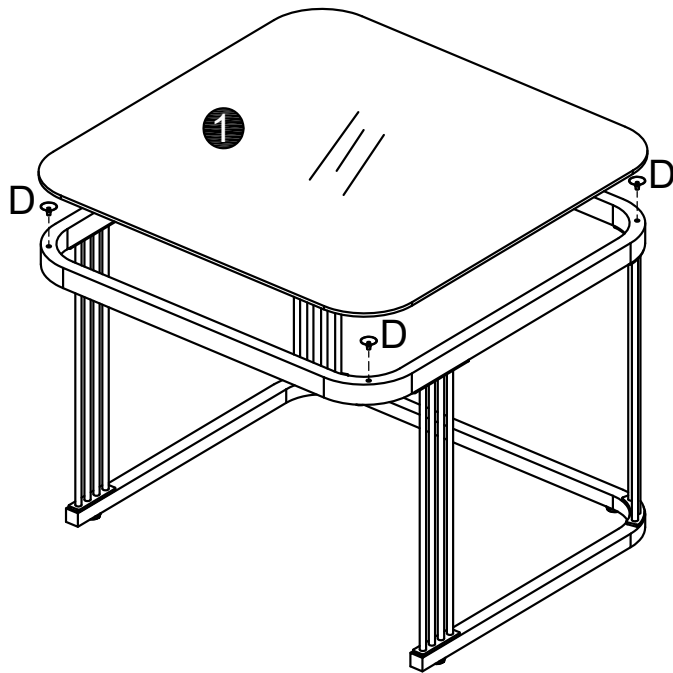



After assembling this step, flip it over to the third step, Placing glass

- | | | |
|---|---|------|
| C |  | 8PCS |
|---|---|------|

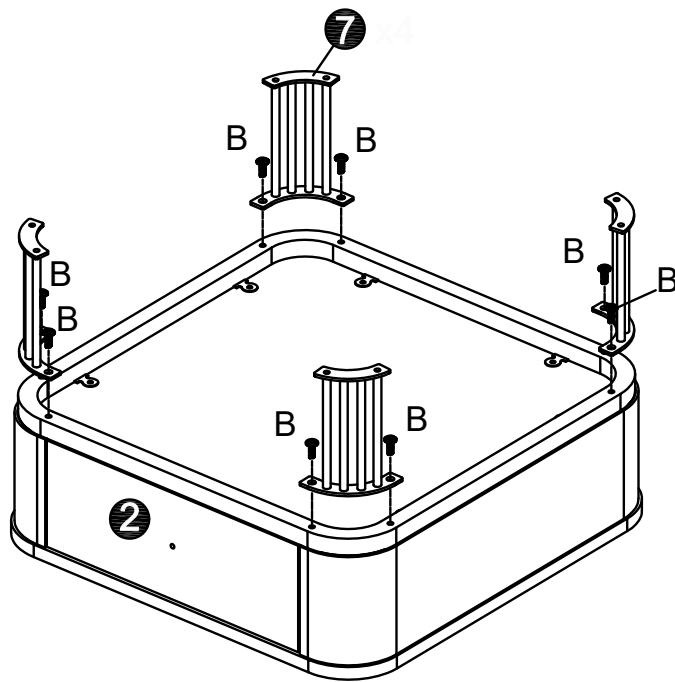
Assembly Instructions


Step 3



D  4PCS

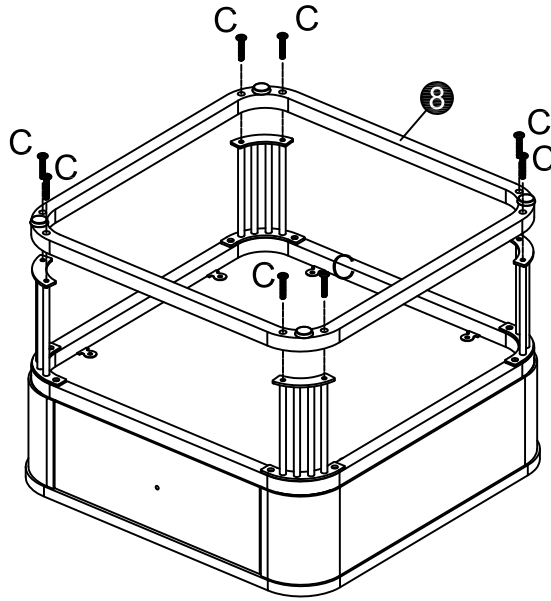
Step 4



B  8PCS

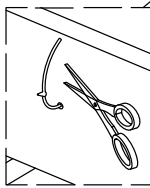
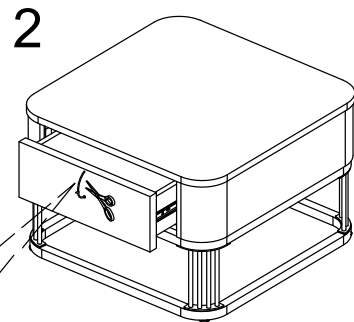
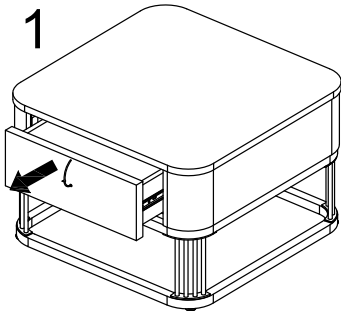
Assembly Instructions

Step 5

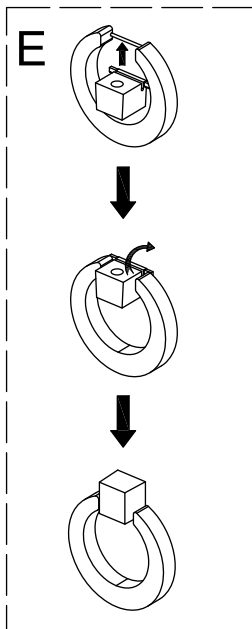
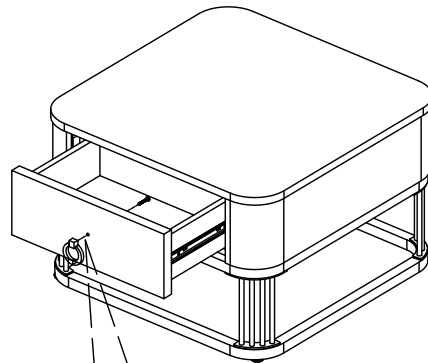


C 8PCS

Step 6



3



E		1PC
F		1PC

