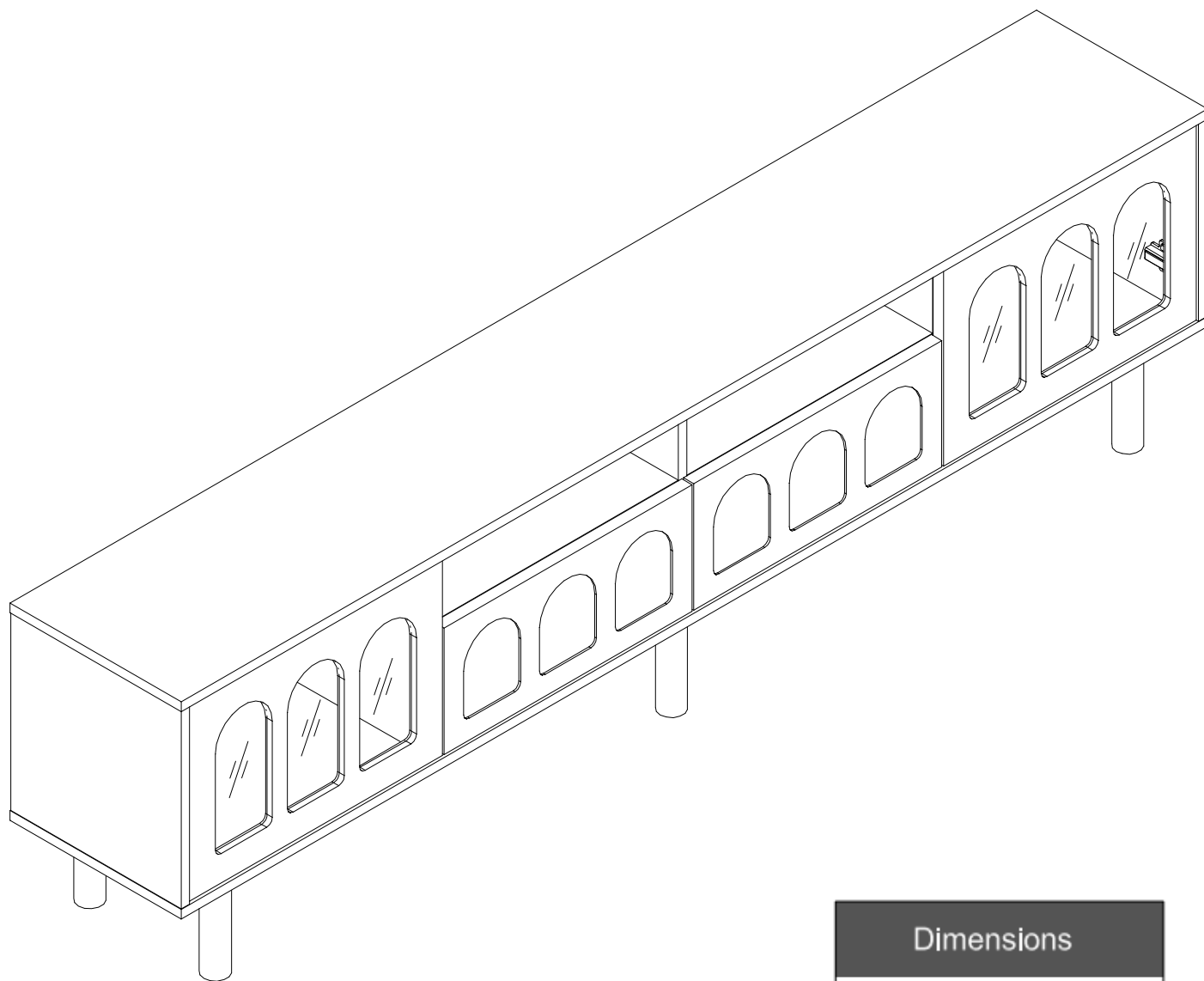


TV Stand

Assembly Instructions - Please keep for future reference



Dimensions

Width-70.87inch

Depth-11.81inch

Height-18.9inch

Important – Please read these instructions fully before starting assembly



Safety and Care Advice

Important – Please read these instructions fully before starting assembly

- Check you have all the components and tools listed on the following pages.
- Remove all fittings from the plastic bags and separate them into their groups.
- Keep children and animals away from the work area, small parts could choke if swallowed.
- Make sure you have enough space to layout the parts before starting.

- During assembly do not stand or put weight on the product, this could cause damage.
- Assemble the item as close to its final position (in the same room) as possible.
- Assemble on a soft level surface to avoid damaging the unit or your floor.
- Parts of the assembly will be easier with 2 people.



power drill is set on a low torque setting.

- To reduce the likelihood of damaging your product please ensure that your

Care and maintenance

- Only clean using a damp cloth and mild detergent, do not use bleach or abrasive cleaners.
- From time to time check that there are no loose screws on this unit.
- This product should not be discarded with household waste. Take to your local authority waste disposal centre.

Handy Hints

- Assemble all parts and bolts loosely during assembly, only once the product is complete should you fully tighten the bolts
- Regularly check and ensure That all bolts and fittings are tightend properly.

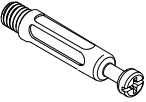

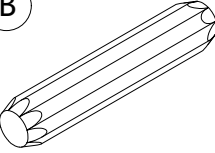
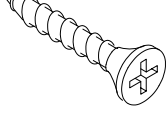
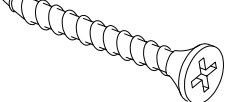
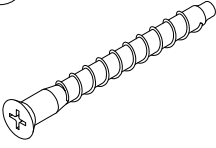
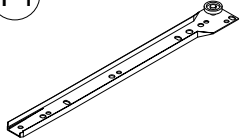
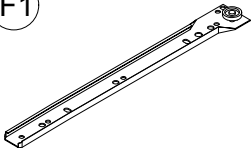
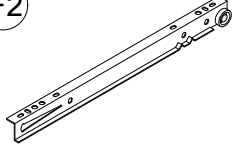
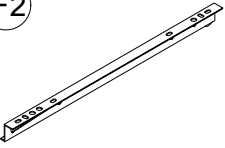
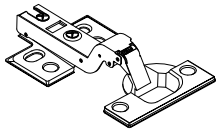
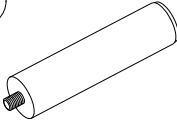
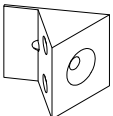
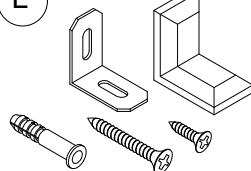
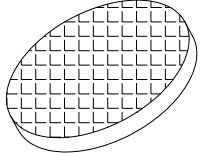
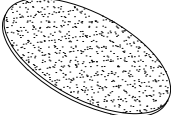
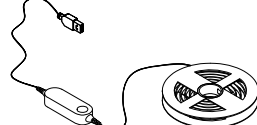
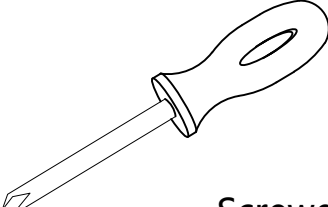
WARNING
In order to help prevent overturning – please follow these instructions

To help prevent product toppling over please follow the below steps:-

- Use the anti tip stap or wall fixing method provided (if applicable)
- Do not allow children to climb or hang on the furniture
- Do not open more than one drawer at a time
- Do not place heavy items in the top drawers
- Do not place heavy items on top of the furniture, unless the furniture has been designed for this purpose

Please check you have all the panels listed below

Note: The quantitie below are the correct amount to complete the assembly. In some cases more fttings may be supplied than are required.

<p>A1</p>  <p>Cam Bolt x (36+1)</p>	<p>A2</p>  <p>Cam Lock x (36+1)</p>	<p>B</p>  <p>8*40mm Dowel x (21+1)</p>	<p>C</p>  <p>3.5*14mm Screw x (54+6)</p>	<p>D</p>  <p>3.5*35mmScrew x 8</p>
<p>E</p>  <p>7*50mm Dowel x 16</p>	<p>F1</p>  <p>250mm F1-CL x 2</p>	<p>F1</p>  <p>250mm F1-CR x 2</p>	<p>F2</p>  <p>250mm F2-DL x 2</p>	<p>F2</p>  <p>250mm F2-DR x 2</p>
<p>G</p>  <p>Hinge x 4</p>	<p>H</p>  <p>Leg x 5</p>	<p>J</p>  <p>Backboard buckle x 14</p>	<p>L</p>  <p>Anti-toppling x 2</p>	<p>M</p>  <p>non-slip mat x 5</p>
<p>N</p>  <p>Hole to stick x 10</p>	<p>P</p>  <p>Light strip x 1</p>	<p>Q</p>  <p>Screwdriver x 1</p>		

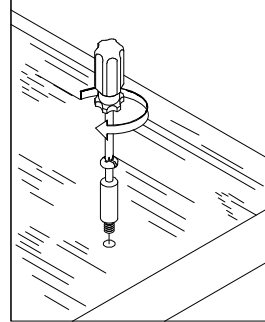
Using Camlocks

Step 1

Connect the male camlock as directed in the assembly instructions using a screwdriver.

1

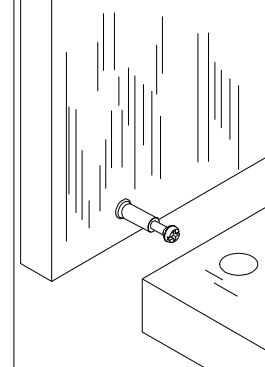
DO NOT OVER TIGHTEN.
NE PAS SERRER EXCESSIVEMENT.



Step 2

Push the male camlock into the entry hole.

2

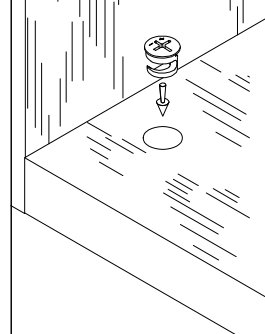


Step 3

Insert the female camlock as shown in the instruction.

Note: ensure that the arrow on the top of the camlock points towards the entry hole for the male camlock.

3



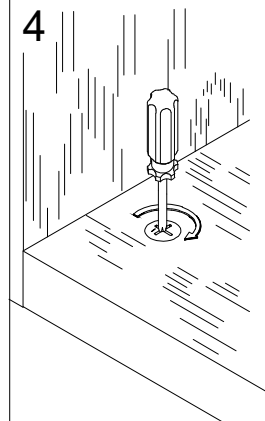
Step 4

Turn the female camlock clockwise with a screwdriver.

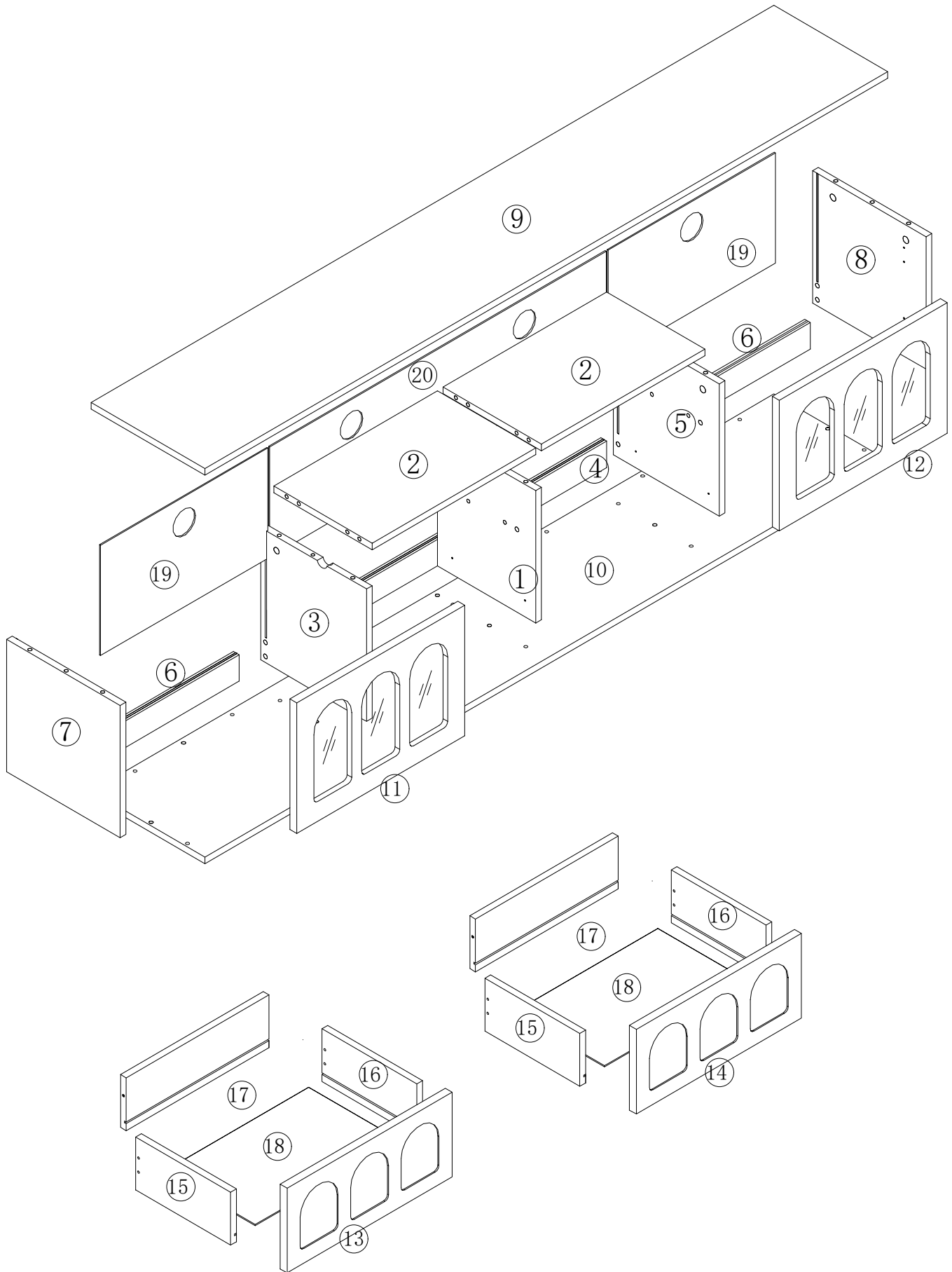
You should feel a click when the camlock is locked in place.

The joint is now secure.

4

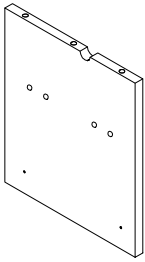


Assembly Instructions



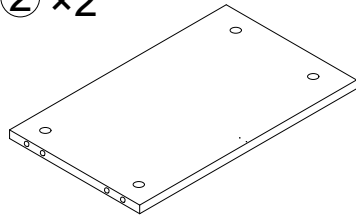
Assembly Instructions

① × 1



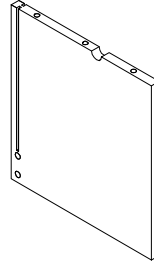
300×259×15mm

② × 2



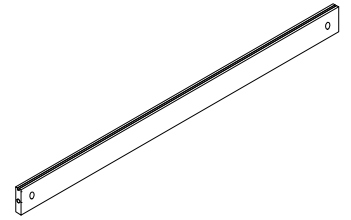
431×259×15mm

③ × 1



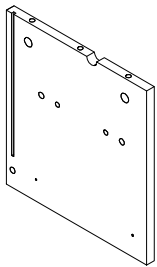
300×279×15mm

④ × 1



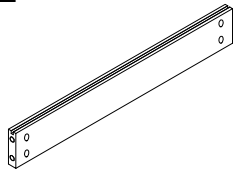
877×60×15mm

⑤ × 1



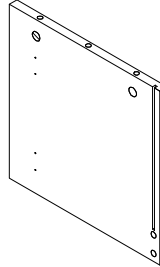
300×279×15mm

⑥ × 2



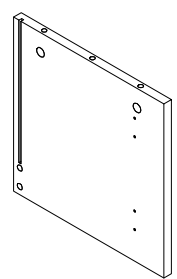
431×60×15mm

⑦ × 1



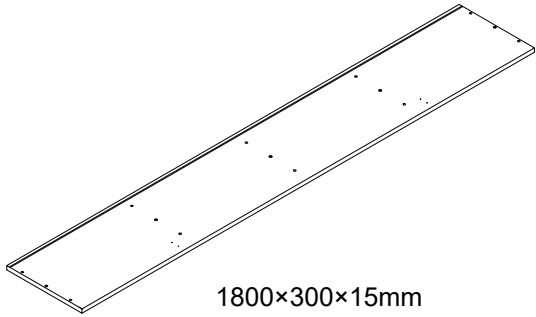
300×299×15mm

⑧ × 1



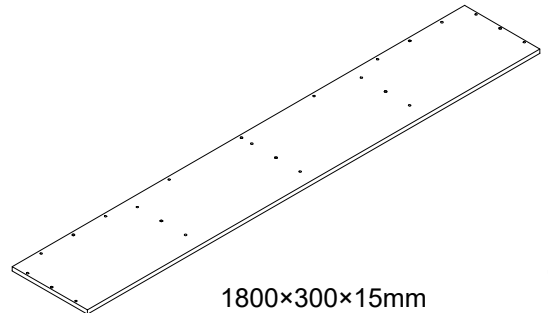
300×299×15mm

⑨ × 1



1800×300×15mm

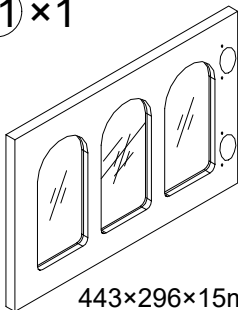
⑩ × 1



1800×300×15mm

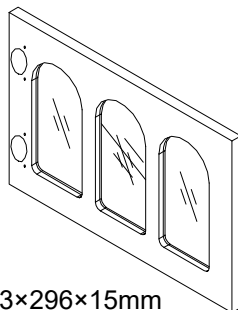
1pc

⑪ × 1



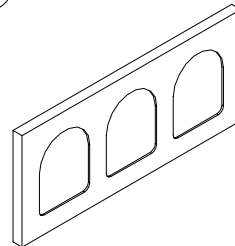
443×296×15mm

⑫ × 1



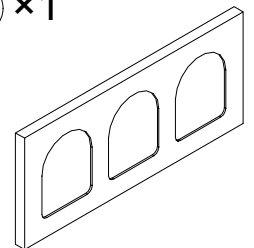
443×296×15mm

⑬ × 1



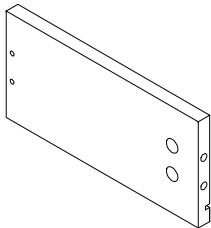
435×192×15mm

⑭ × 1



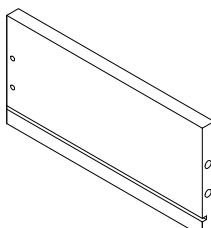
435×192×15mm

⑮ × 2



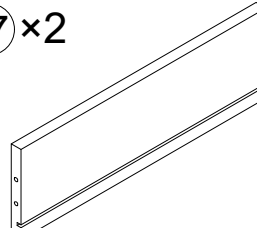
250×120×15mm

⑯ × 2



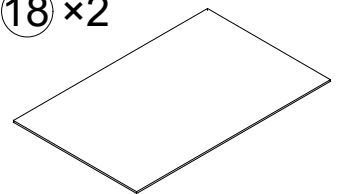
250×120×15mm

⑰ × 2



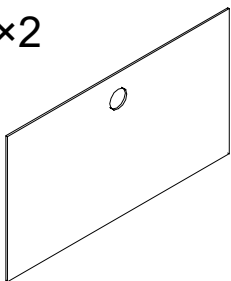
376×120×15mm

⑱ × 2



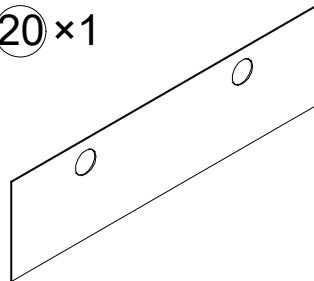
386×245×3mm

⑲ × 2



440×250×3mm

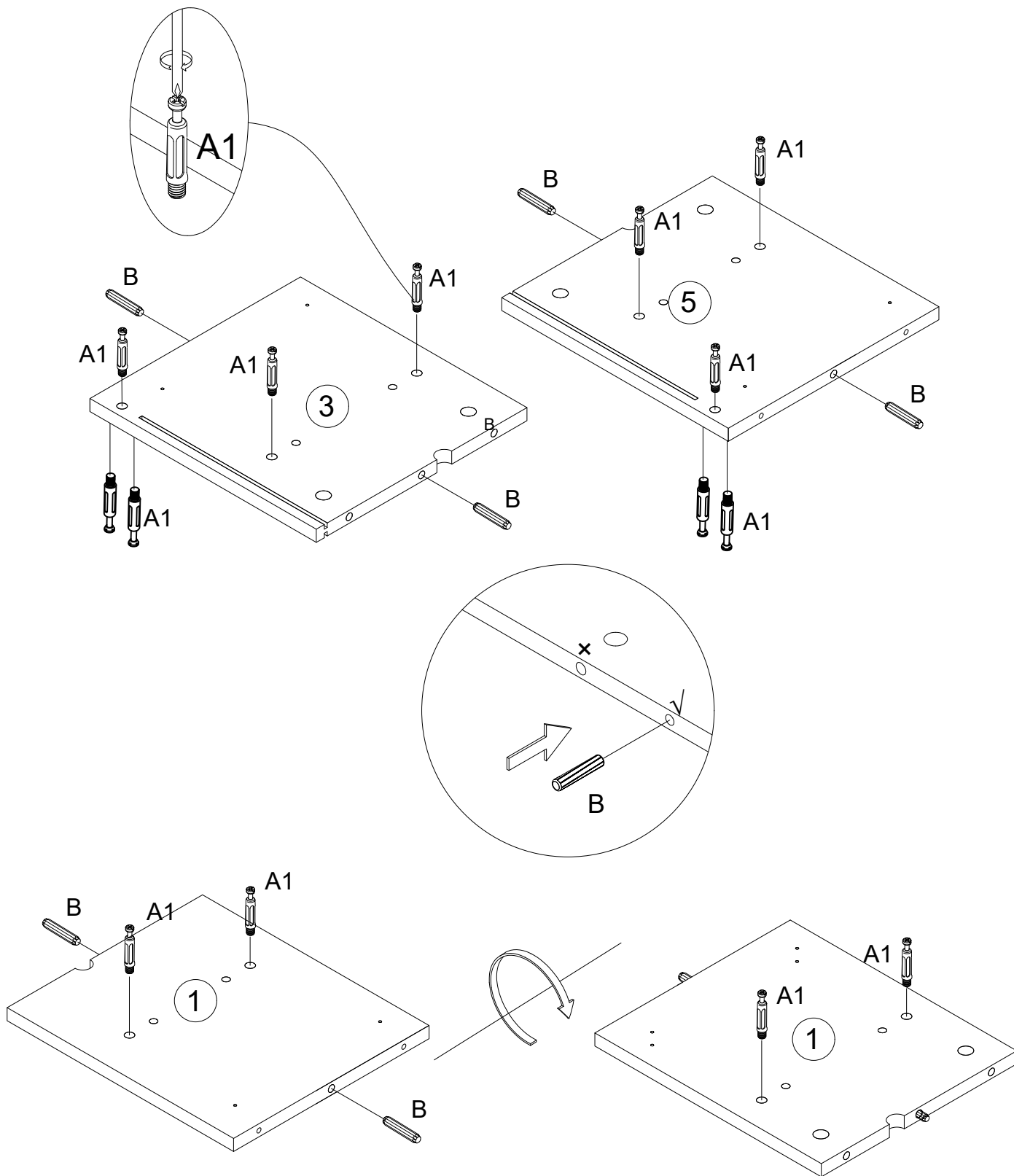
⑳ × 1

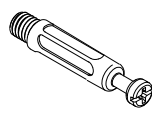
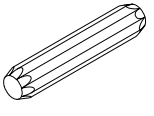


887×2250×3mm

Assembly Instructions

Step 1

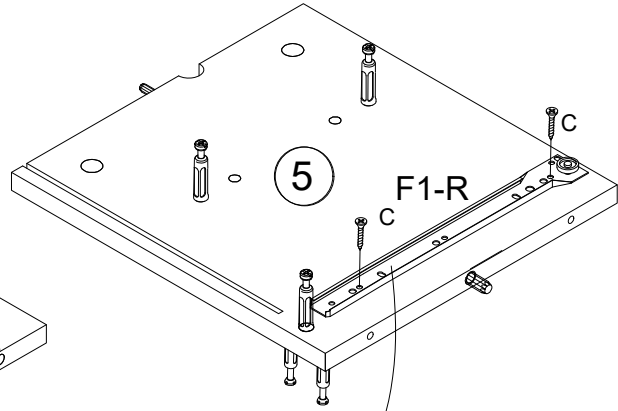
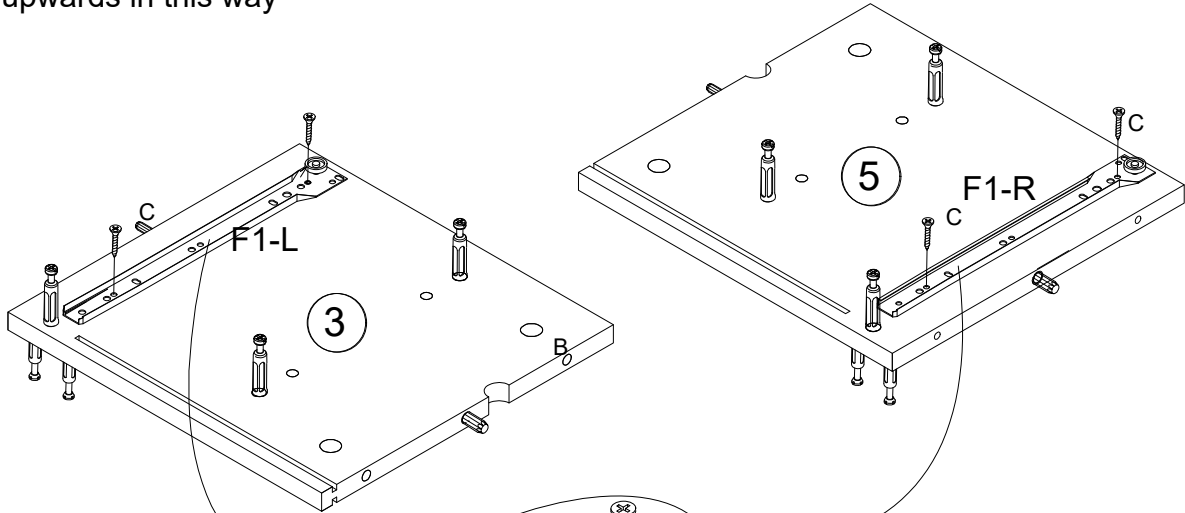


<p>(A1)</p>  <p>Cam Bolt x 14</p>	<p>(B)</p>  <p>8*40mm Dowel x 6</p>
--	--

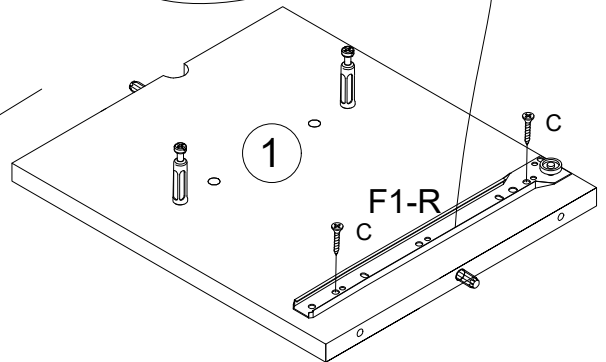
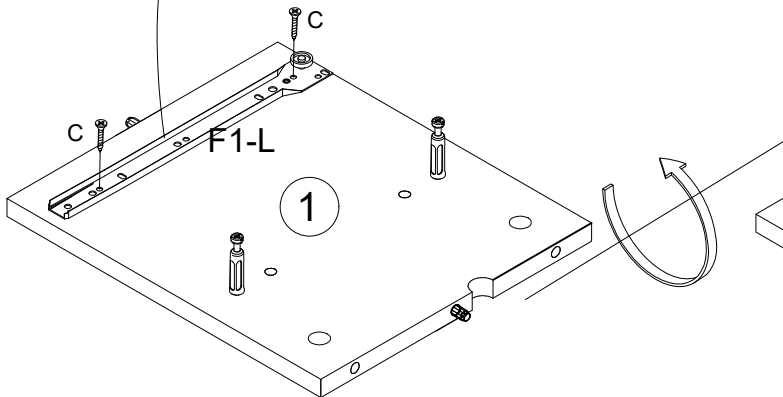
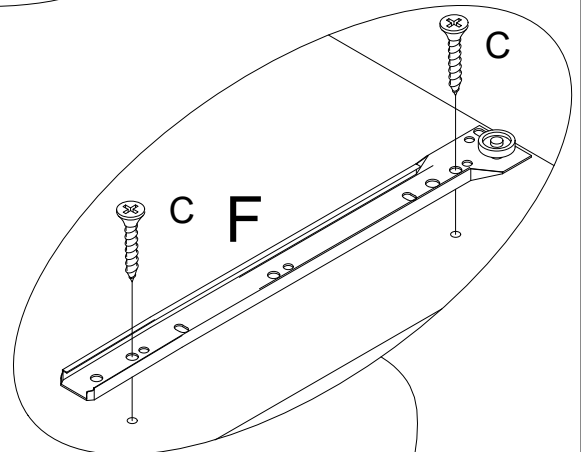
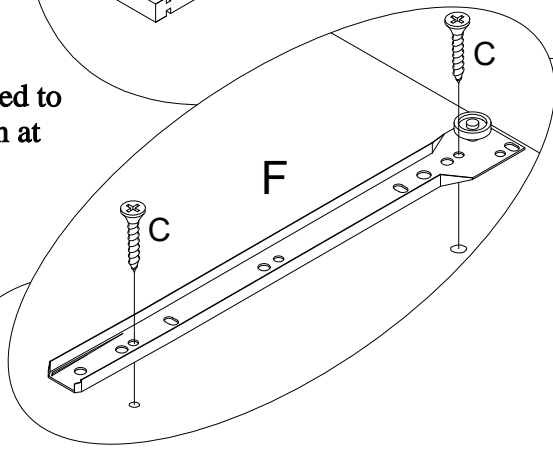
Assembly Instructions

Step 2

The slide rail needs to be installed facing upwards in this way



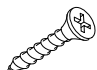
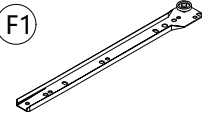
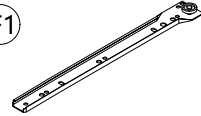
The three points referred to here are for installation at the same hole position



REMARK:
When installing, please make sure the screws

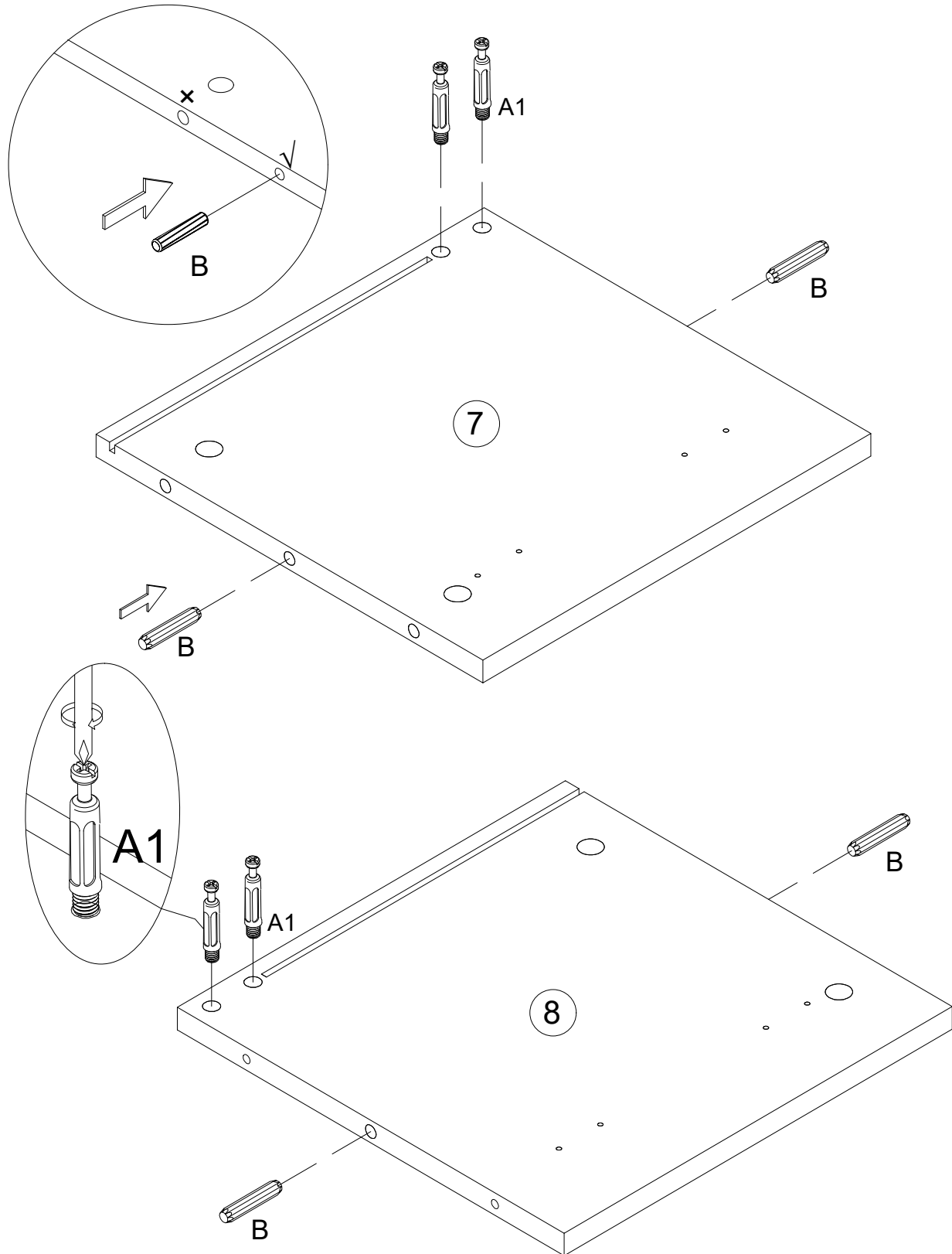
are flattened, Not crooked; Otherwise the drawers will not be installed perfectly.

Please note : it is not an error in the hole position. This is a separate slide rail placed on both sides of a board. In order to prevent the installation screws from pushing together, the installation hole position has been adjusted

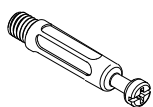
 3.5*14mm Screw x 8	 250mm F1-CL x 2	 250mm F1-CR x 2
---	--	--

Assembly Instructions

Step 3

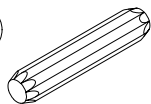


A1



Cam Bolt x 4

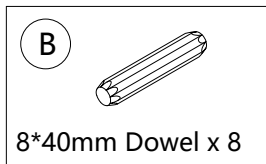
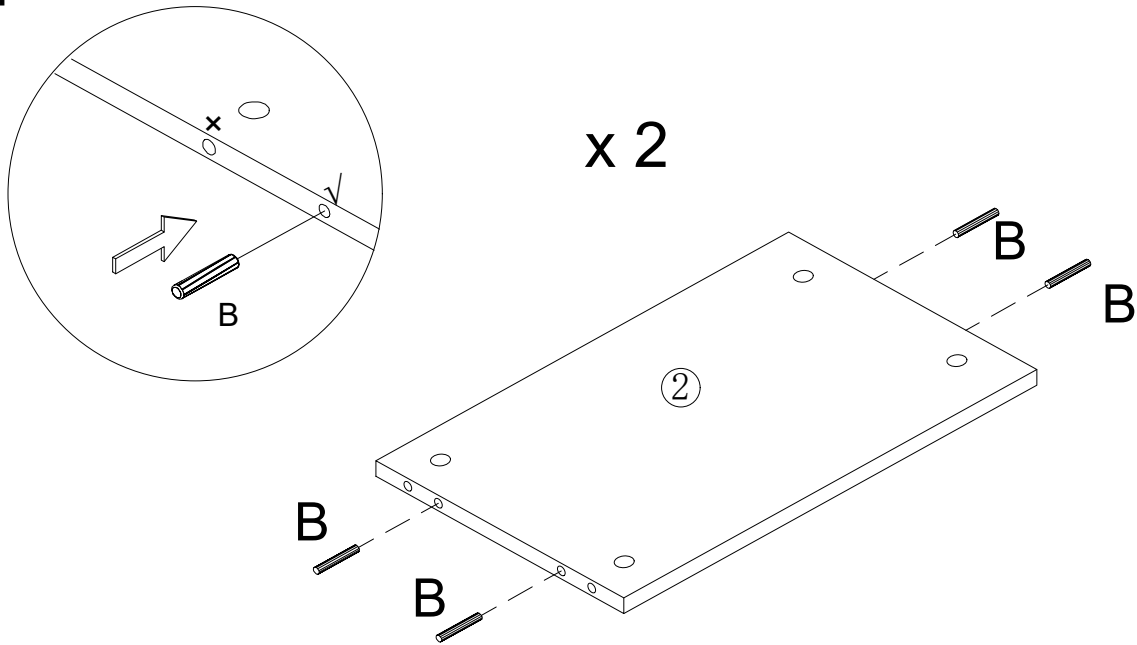
B



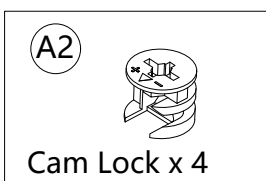
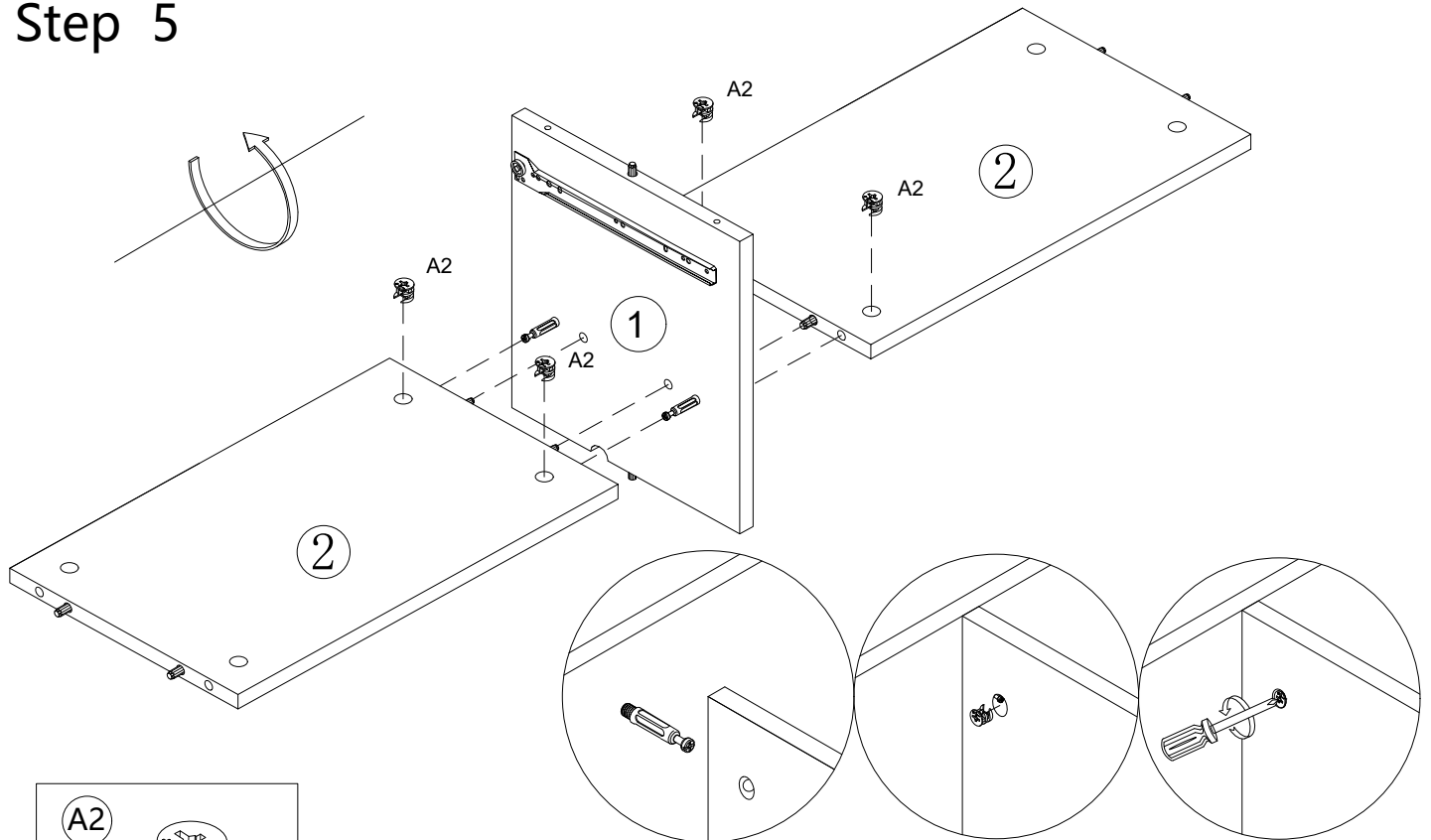
8*40mm Dowel x 4

Assembly Instructions

Step 4

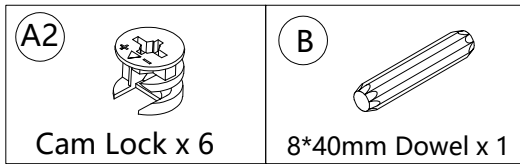
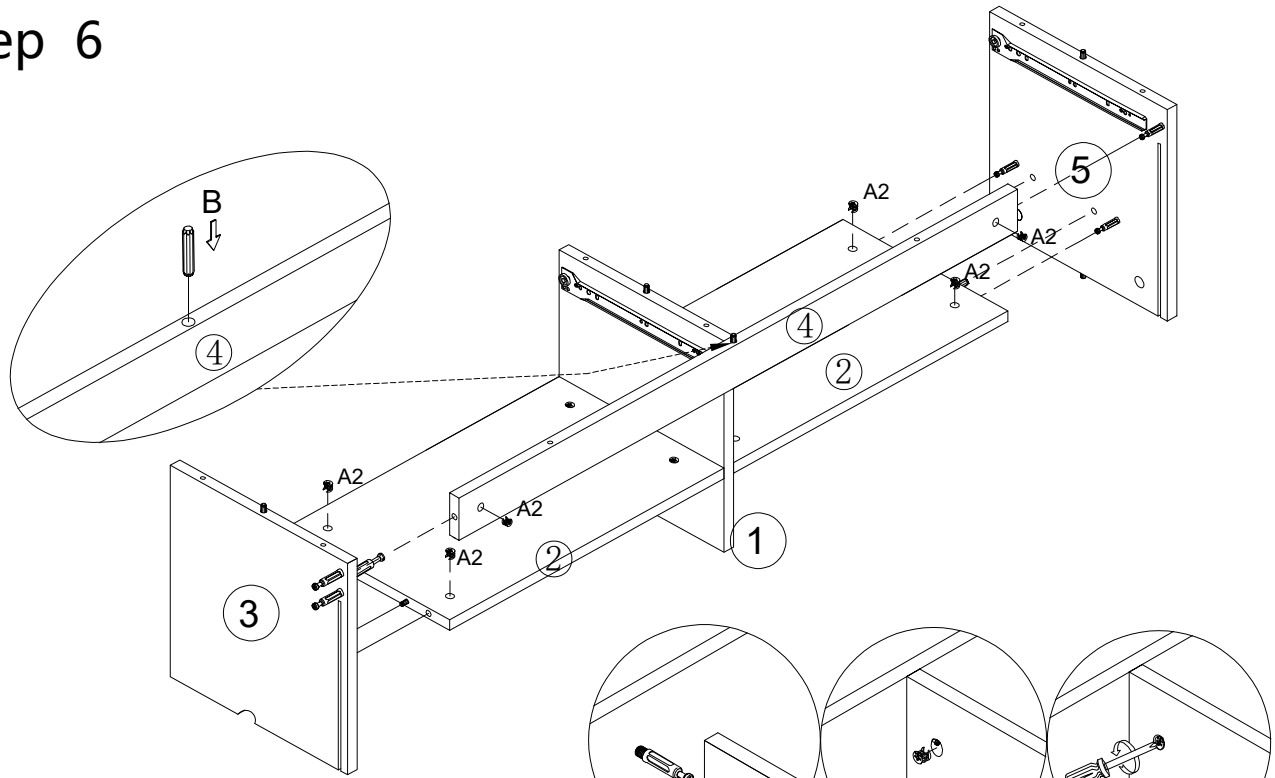


Step 5

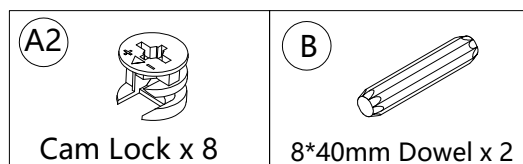
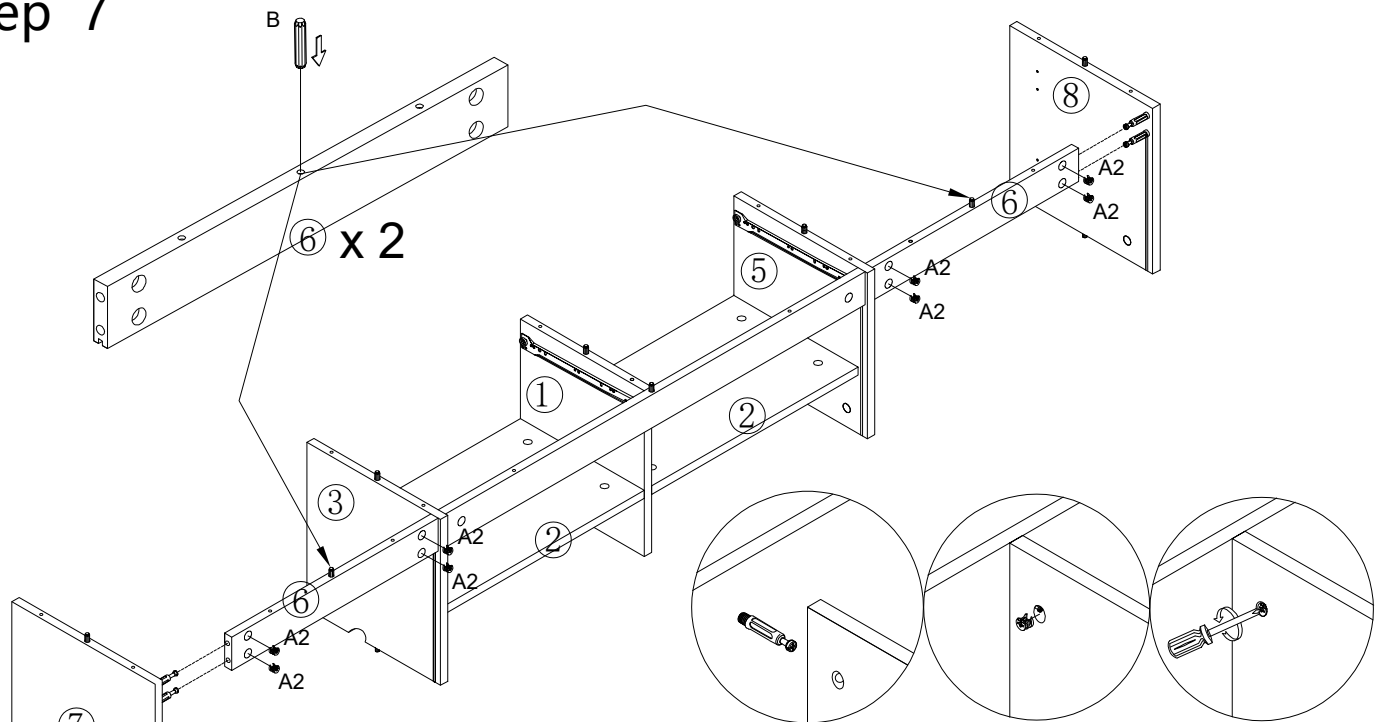


Assembly Instructions

Step 6

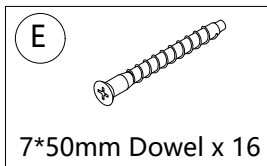
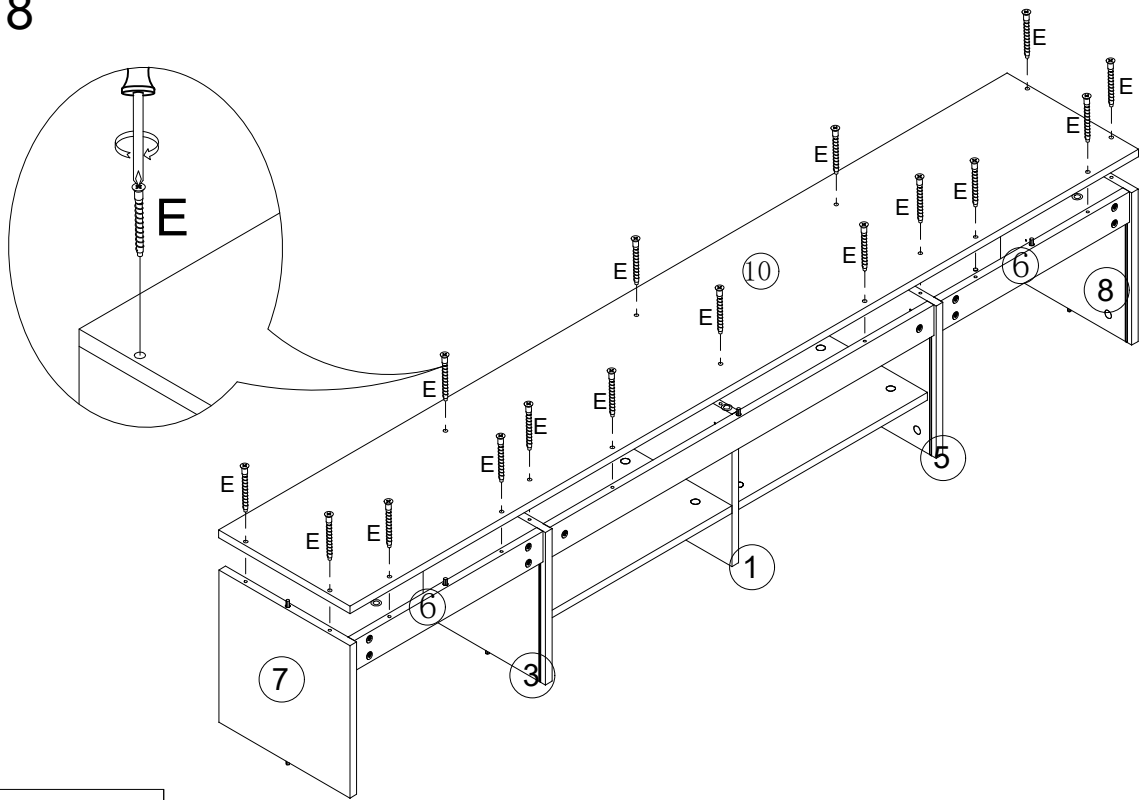


Step 7

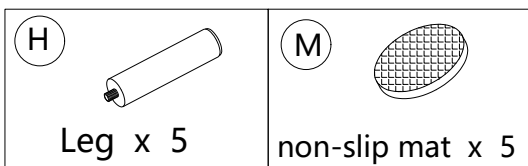
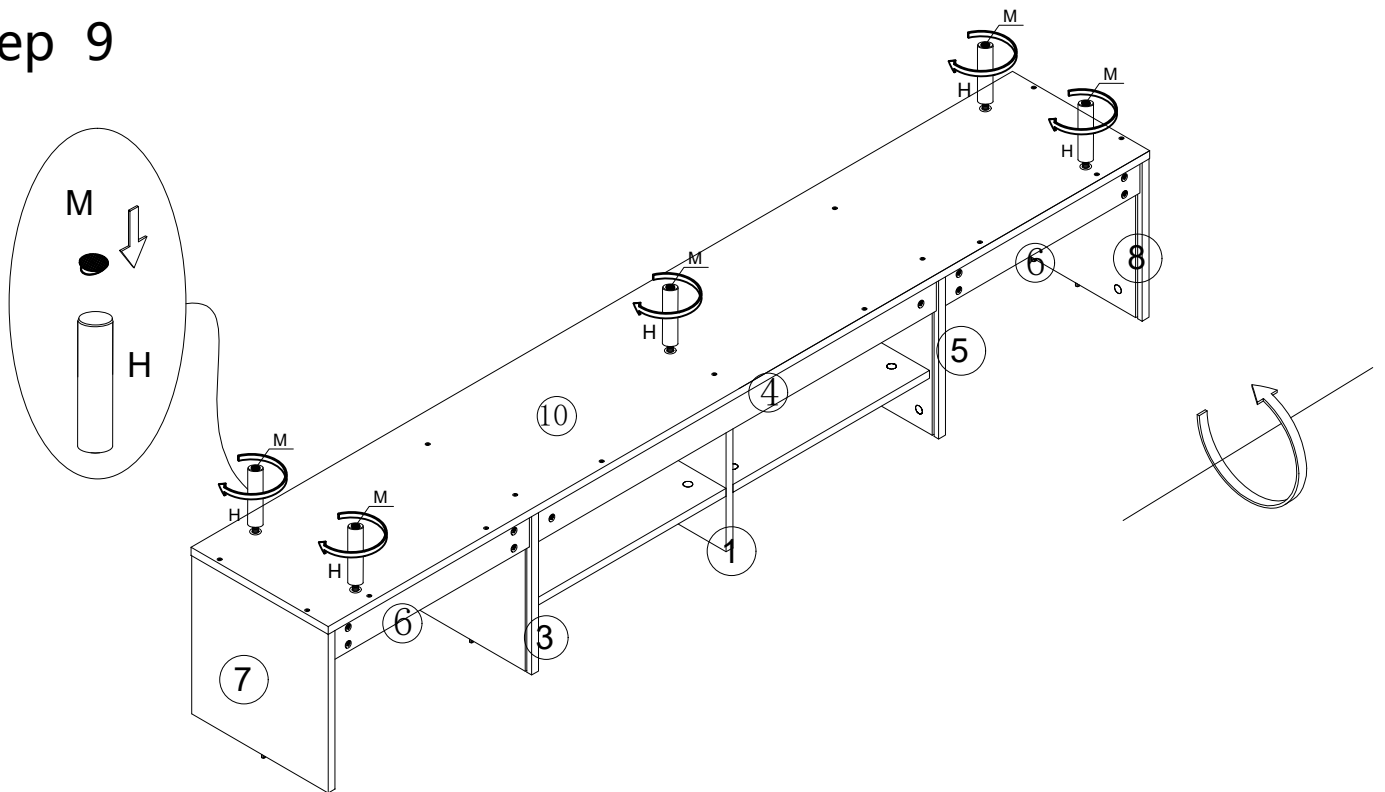


Assembly Instructions

Step 8

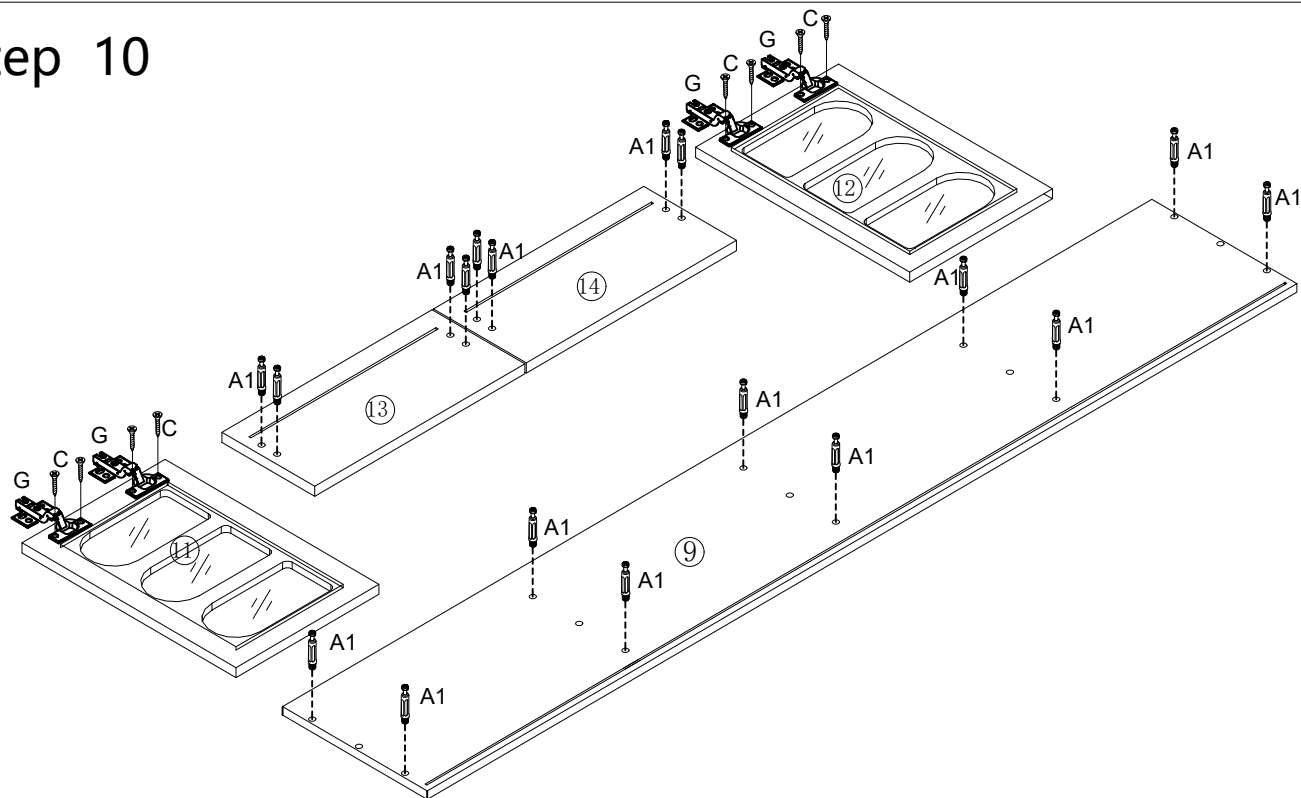


Step 9



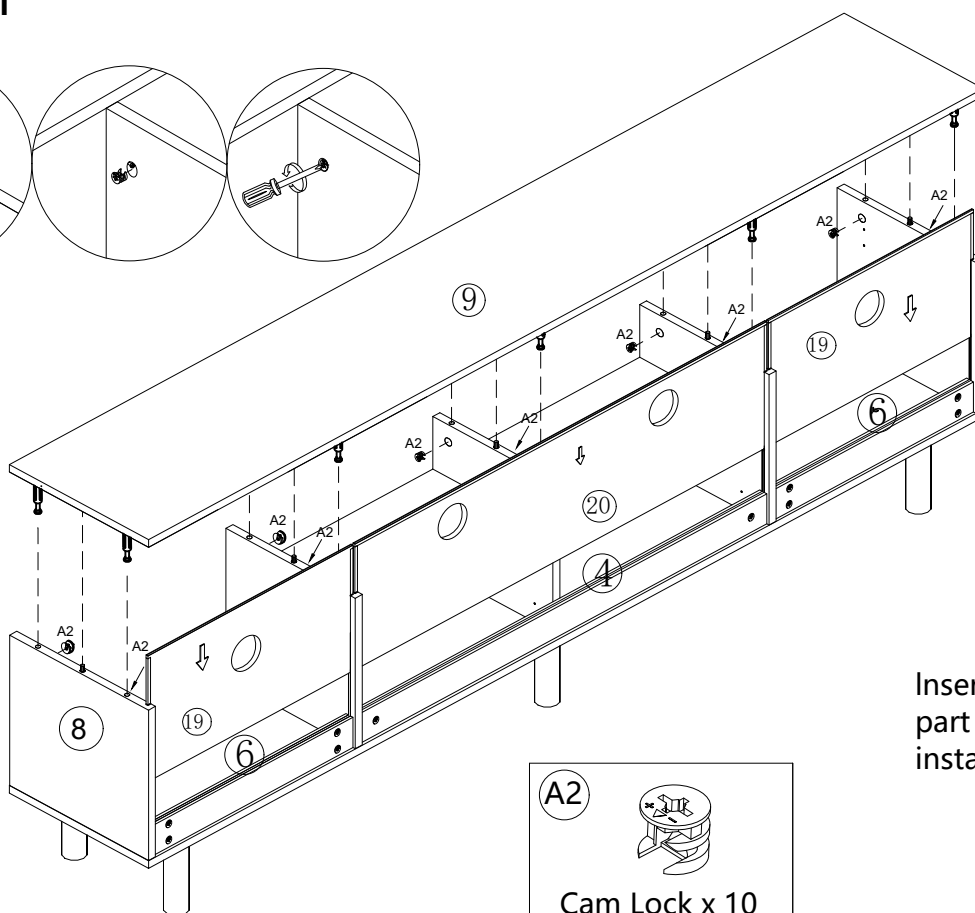
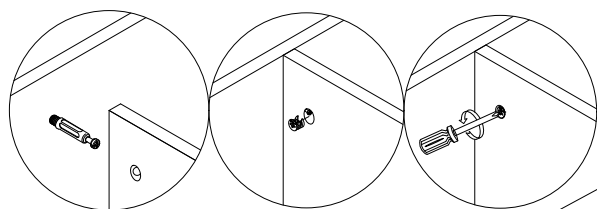
Assembly Instructions

Step 10

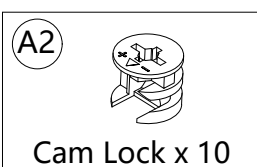


(A1)  Cam Bolt x 18	(C)  3.5*14mm Screw x 8	(G)  Hinge x 4
--	---	---

Step 11

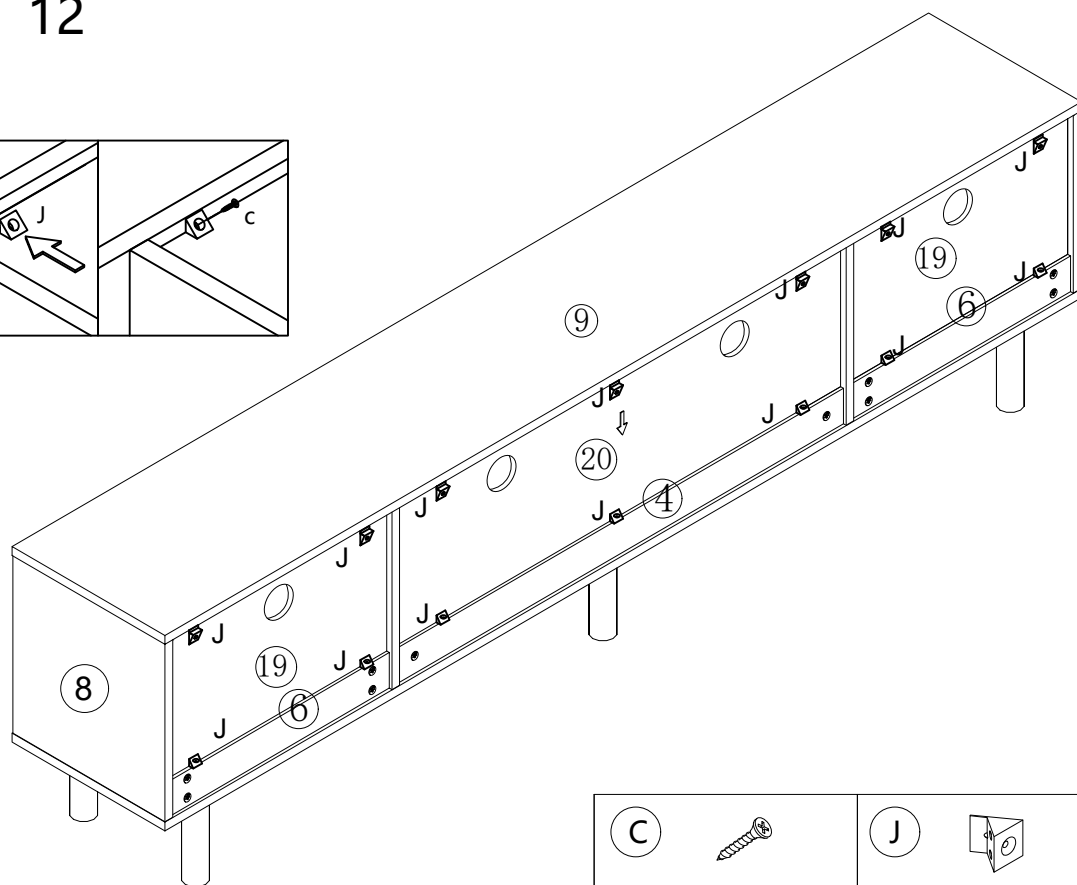
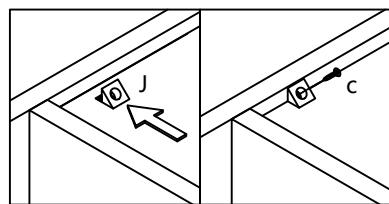


Insert part #19x2 and part #20 first, then install part #9



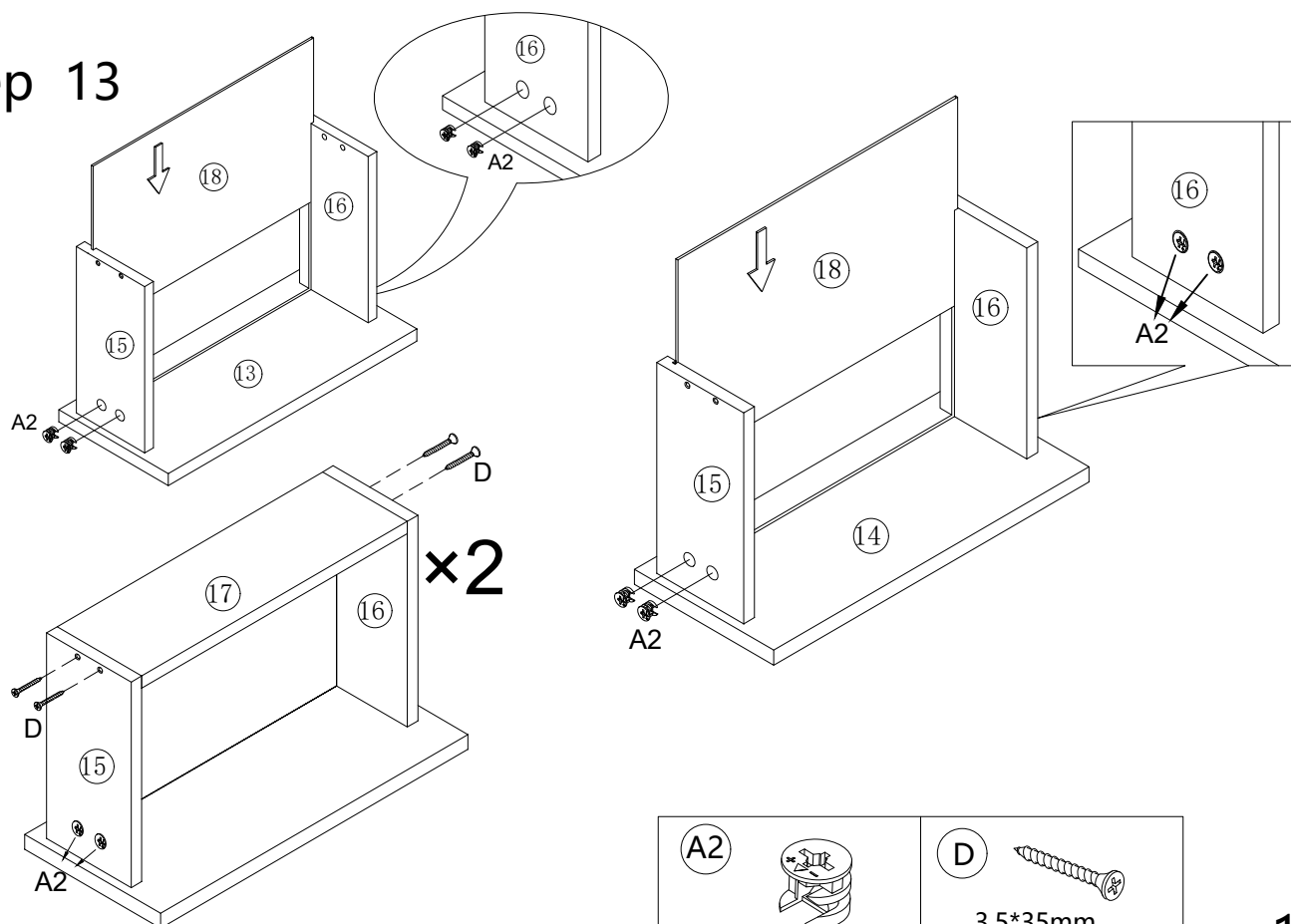
Assembly Instructions

Step 12



C		J	
3.5*14mm Screw x 14		Backboard buckle x 14	

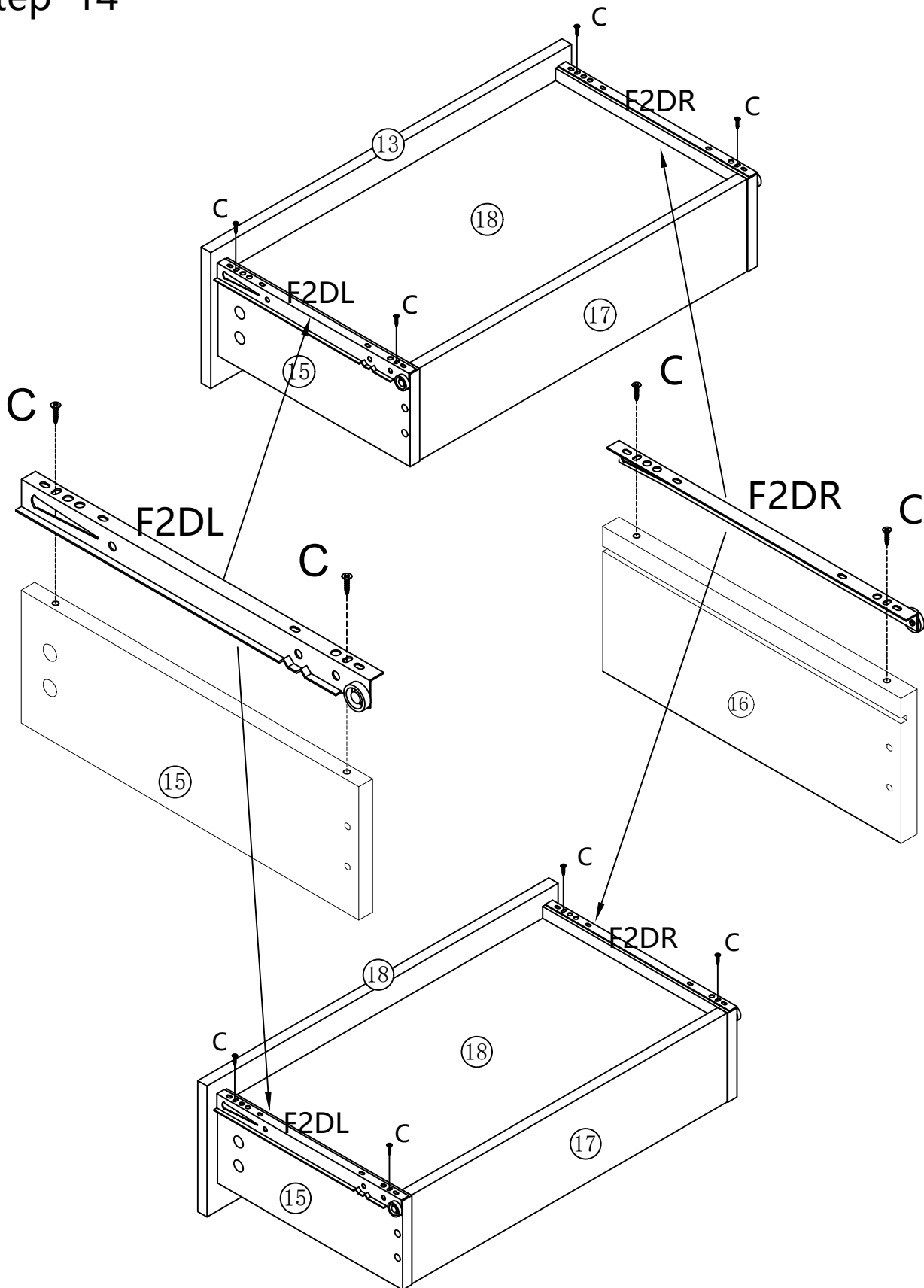
Step 13




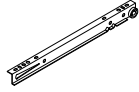
A2		D	
Cam Lock x 8		3.5*35mm Screw x 8	


Assembly Instructions

Step 14



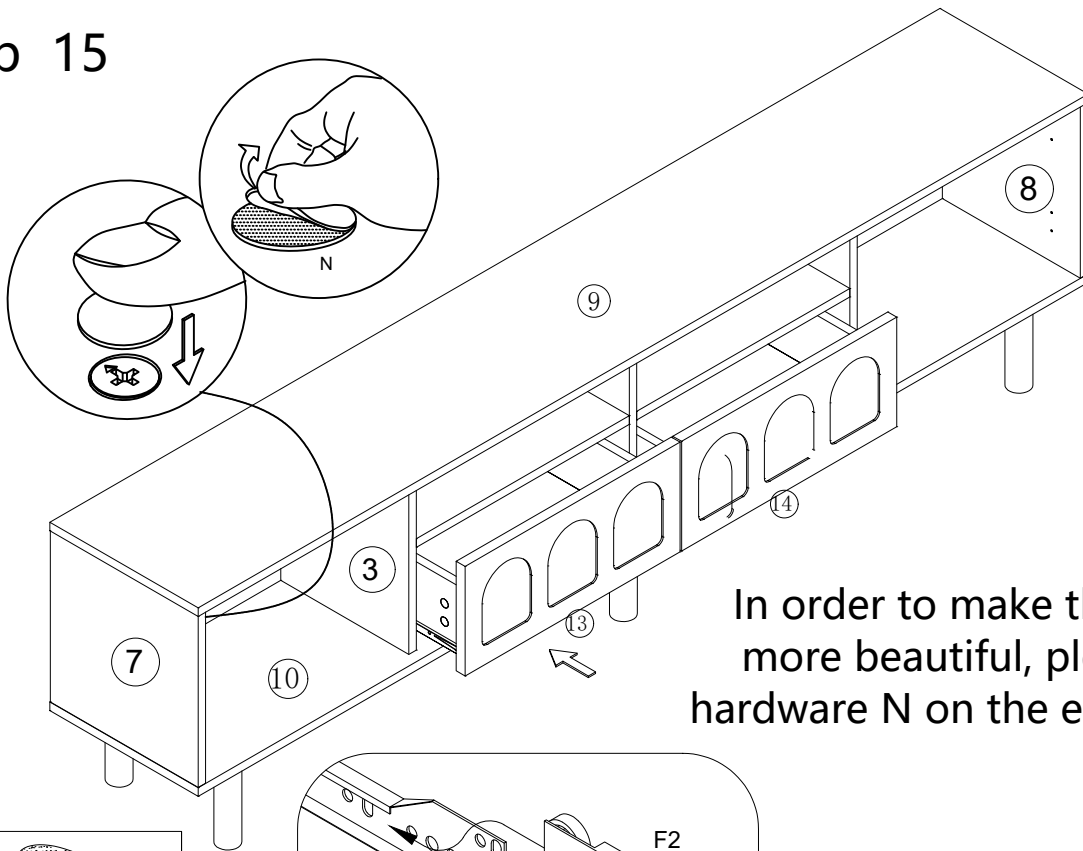
C 
3.5*14mm
Screw x 8

F2 
250mm
F2-DL x 2

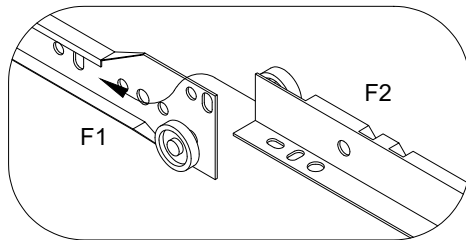
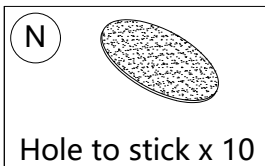
F2 
250mm
F2-DR x 2

Assembly Instructions

Step 15

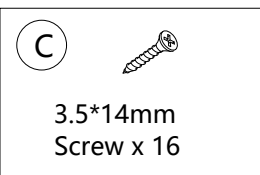
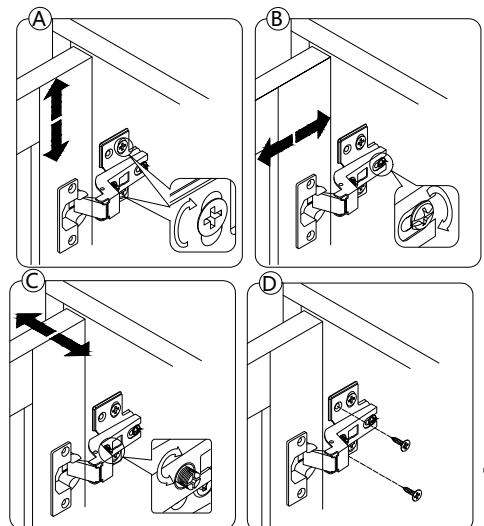
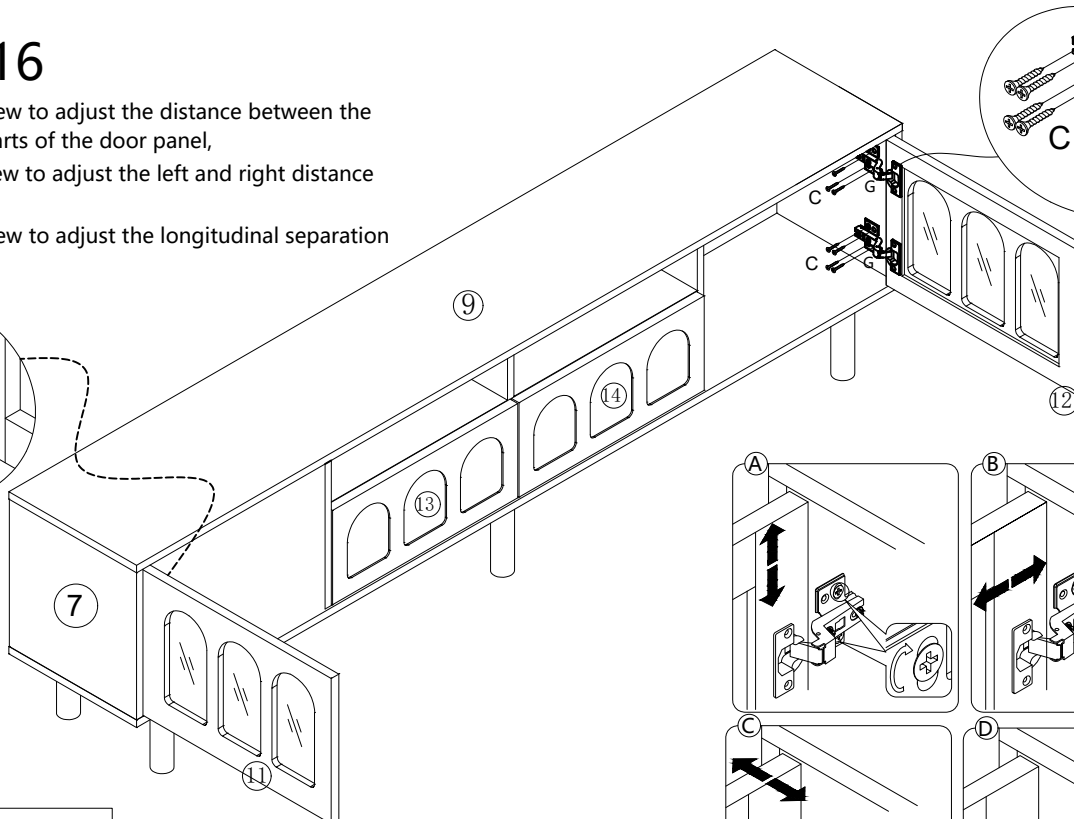
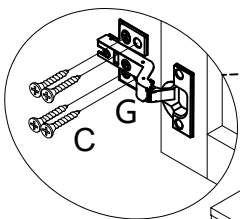


In order to make the product more beautiful, please paste hardware N on the exposed holes



Step 16

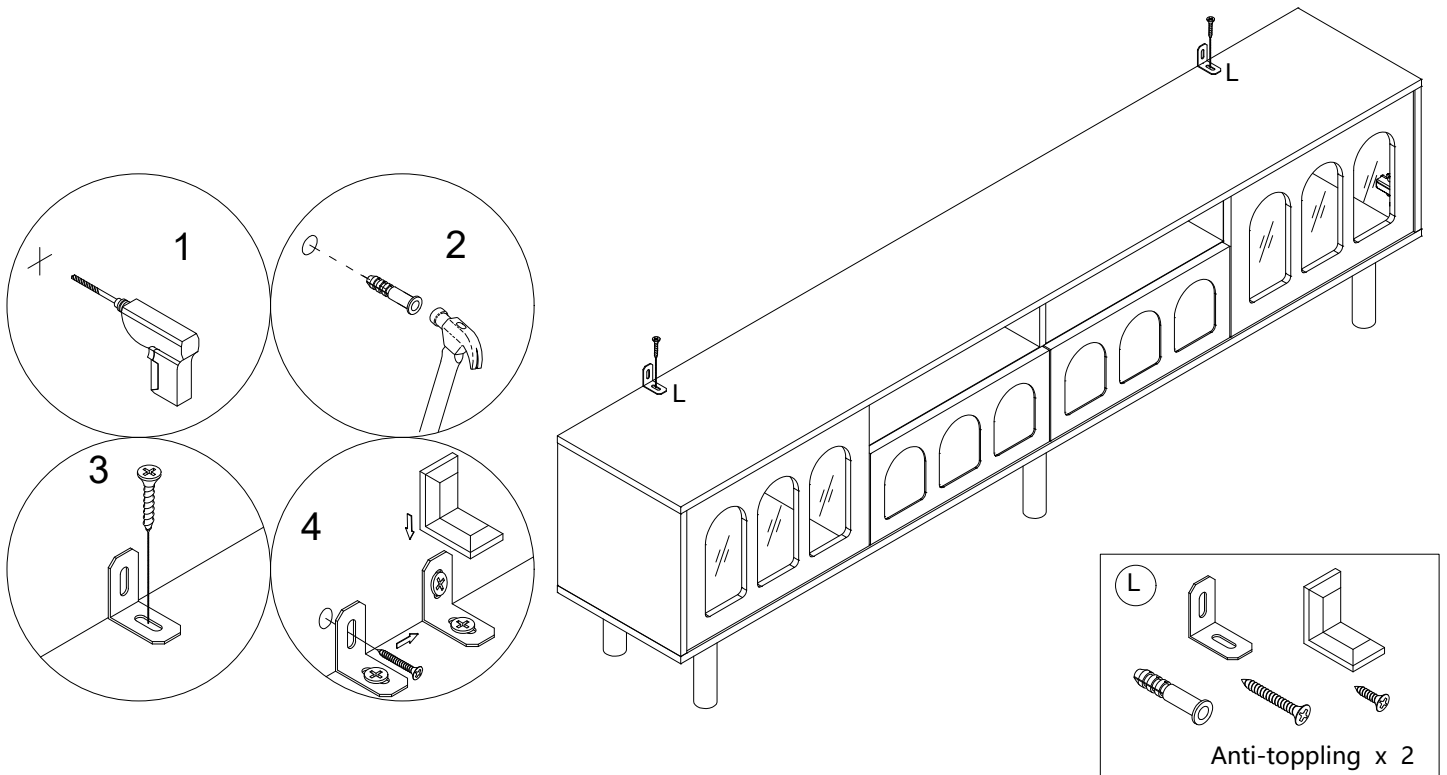
- A Adjust this screw to adjust the distance between the upper and down parts of the door panel,
- B Adjust this screw to adjust the left and right distance of the door panel.
- C Adjust this screw to adjust the longitudinal separation of the door panel.



Assembly Instructions

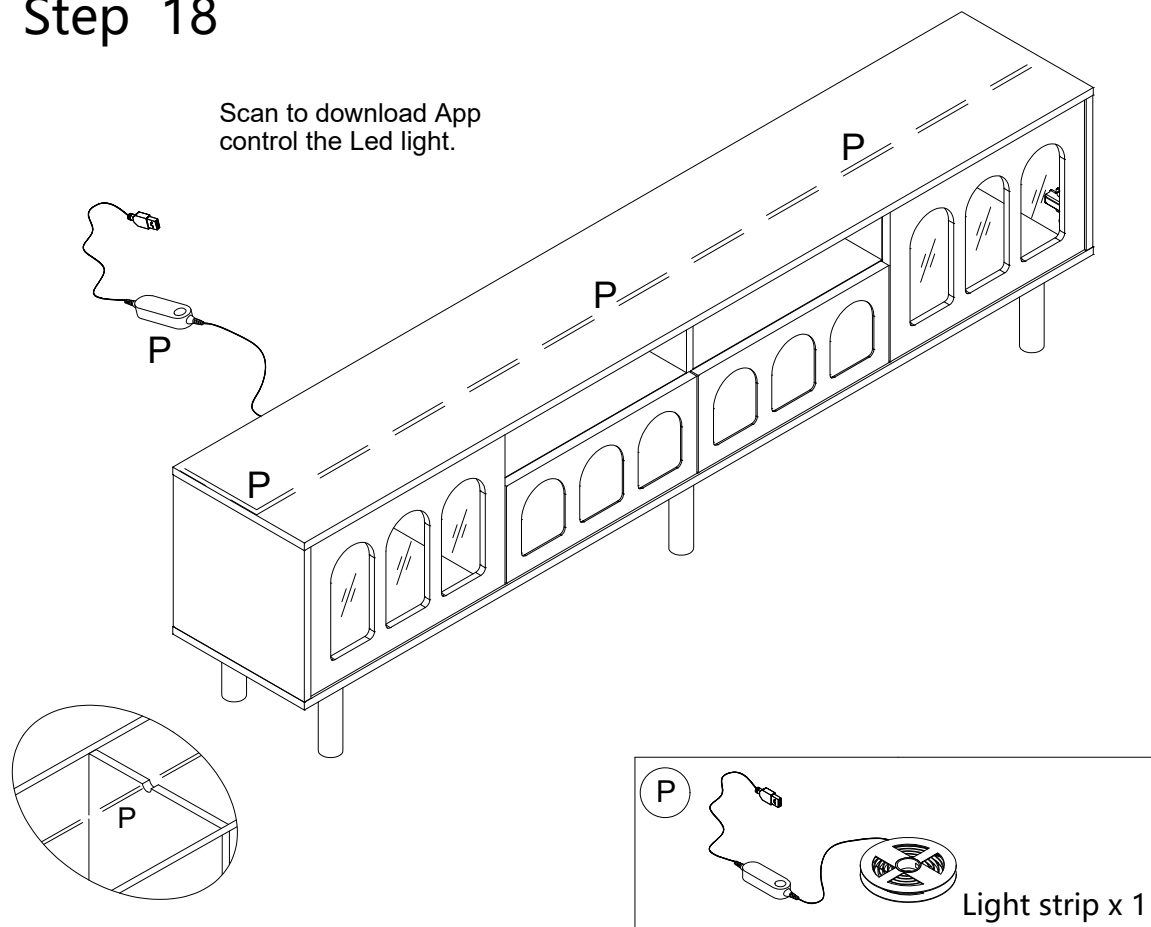
Step 17

Please decide whether to add anti tipping accessories based on personal needs



Step 18

Scan to download App
control the Led light.



Assembly Instructions

Step 19

