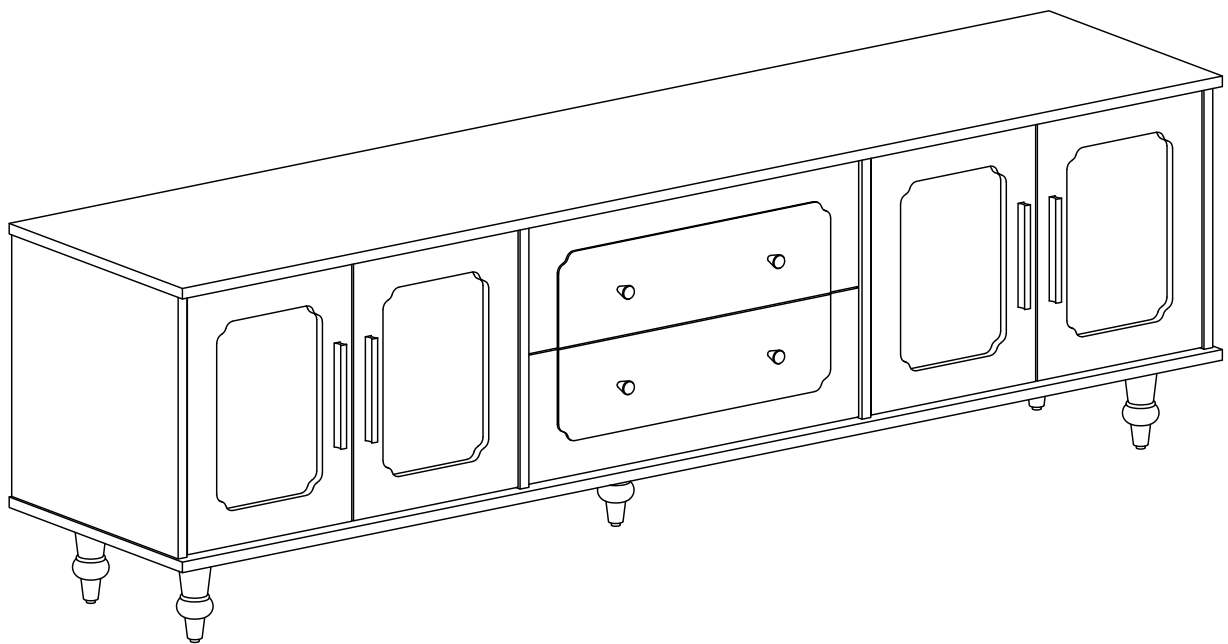


# TV Stand

**Assembly Instructions - Please keep for future reference**



## Dimensions

Width-69.69inch

Depth-15.75inch

Height-21.85inch

**Important – Please read these instructions fully before starting assembly**



# Safety and Care Advice

**Important – Please read these instructions fully before starting assembly**

- Check you have all the components and tools listed on the following pages.
- Remove all fittings from the plastic bags and separate them into their groups.
- Keep children and animals away from the work area, small parts could choke if swallowed.
- Make sure you have enough space to layout the parts before starting.

- During assembly do not stand or put weight on the product, this could cause damage.
- Assemble the item as close to its final position (in the same room) as possible.
- Assemble on a soft level surface to avoid damaging the unit or your floor.
- Parts of the assembly will be easier with 2 people.



power drill is set on a low torque setting.

- To reduce the likelihood of damaging your product please ensure that your

## Care and maintenance

- Only clean using a damp cloth and mild detergent, do not use bleach or abrasive cleaners.
- From time to time check that there are no loose screws on this unit.
- This product should not be discarded with household waste. Take to your local authority waste disposal centre.

## Handy Hints

- Assemble all parts and bolts loosely during assembly, only once the product is complete should you fully tighten the bolts
- Regularly check and ensure That all bolts and fittings are tightend properly.

**WARNING**  
**In order to help prevent overturning – please follow these instructions**

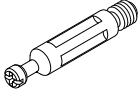

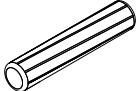
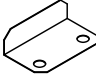
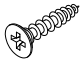
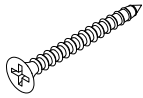
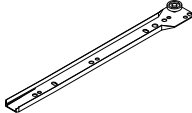
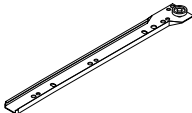
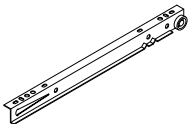
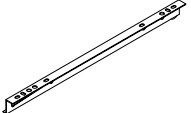
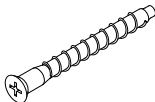
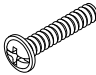
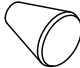
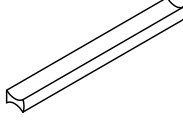
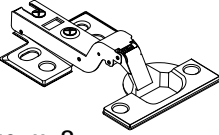
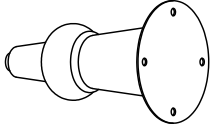


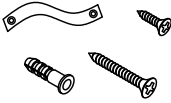
To help prevent product toppling over please follow the below steps:-

- Use the anti tip stap or wall fixing method provided (if applicable)
- Do not allow children to climb or hang on the furniture
- Do not open more than one drawer at a time
- Do not place heavy items in the top drawers
- Do not place heavy items on top of the furniture, unless the furniture has been designed for this purpose

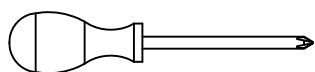
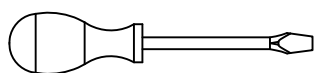
# Components - Fittings

Please check you have all the panels listed below

Note: The quantities below are the correct amount to complete the assembly. In some cases more fittings may be supplied than are required.

<p><b>A1</b></p>  <p>Cam Bolt x (20+1)</p>	<p><b>A2</b></p>  <p>Cam Lock x (20+1)</p>	<p><b>B</b></p>  <p>8*40mm Dowel x (16+1)</p>	<p><b>C</b></p>  <p>Door-blocking x 2</p>
<p><b>D</b></p>  <p>3.5*14mm Screw x (100+2)</p>	<p><b>E</b></p>  <p>3.5*35mm Screw x 12</p>	<p><b>F</b></p>  <p>300mm Runner-CL x 2</p>	<p><b>F</b></p>  <p>300mm Runner-CR x 2</p>
<p><b>F</b></p>  <p>300mm Runner-DL x 2</p>	<p><b>F</b></p>  <p>300mm Runner-DR x 2</p>	<p><b>G</b></p>  <p>7*50mm Dowel x 8</p>	<p><b>H</b></p>  <p>4*22mm Screw x 12</p>
<p><b>J</b></p>  <p>handle x 4</p>	<p><b>K</b></p>  <p>handle x 4</p>	<p><b>L</b></p>  <p>Hinge x 8</p>	<p><b>M</b></p>  <p>Leg x 5</p>
<p><b>N</b></p>  <p>Backboard buckle x 12</p>	<p><b>P</b></p>  <p>Hole to stick x 28</p>	<p><b>Q</b></p>  <p>Anti-toppling x 2</p>	

## Tools required



Phillips screwdriver  
(medium & large)

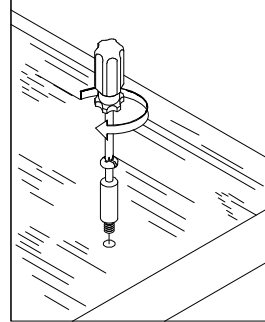
# Using Camlocks

## Step 1

Connect the male camlock as directed in the assembly instructions using a screwdriver.

1

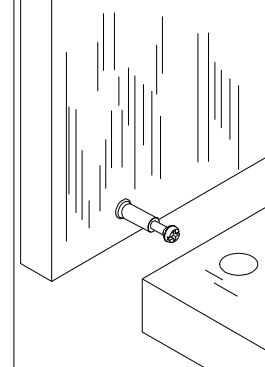
DO NOT OVER TIGHTEN.  
NE PAS SERRER EXCESSIVEMENT.



## Step 2

Push the male camlock into the entry hole.

2

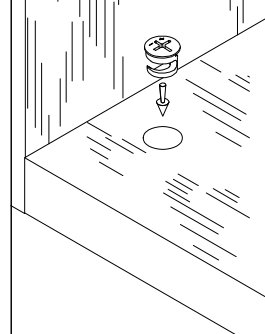


## Step 3

Insert the female camlock as shown in the instruction.

Note: ensure that the arrow on the top of the camlock points towards the entry hole for the male camlock.

3



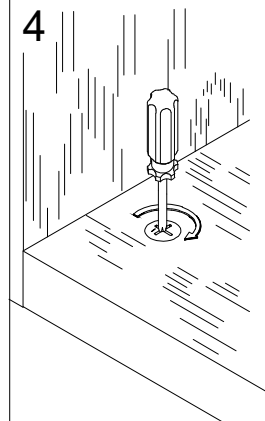
## Step 4

Turn the female camlock clockwise with a screwdriver.

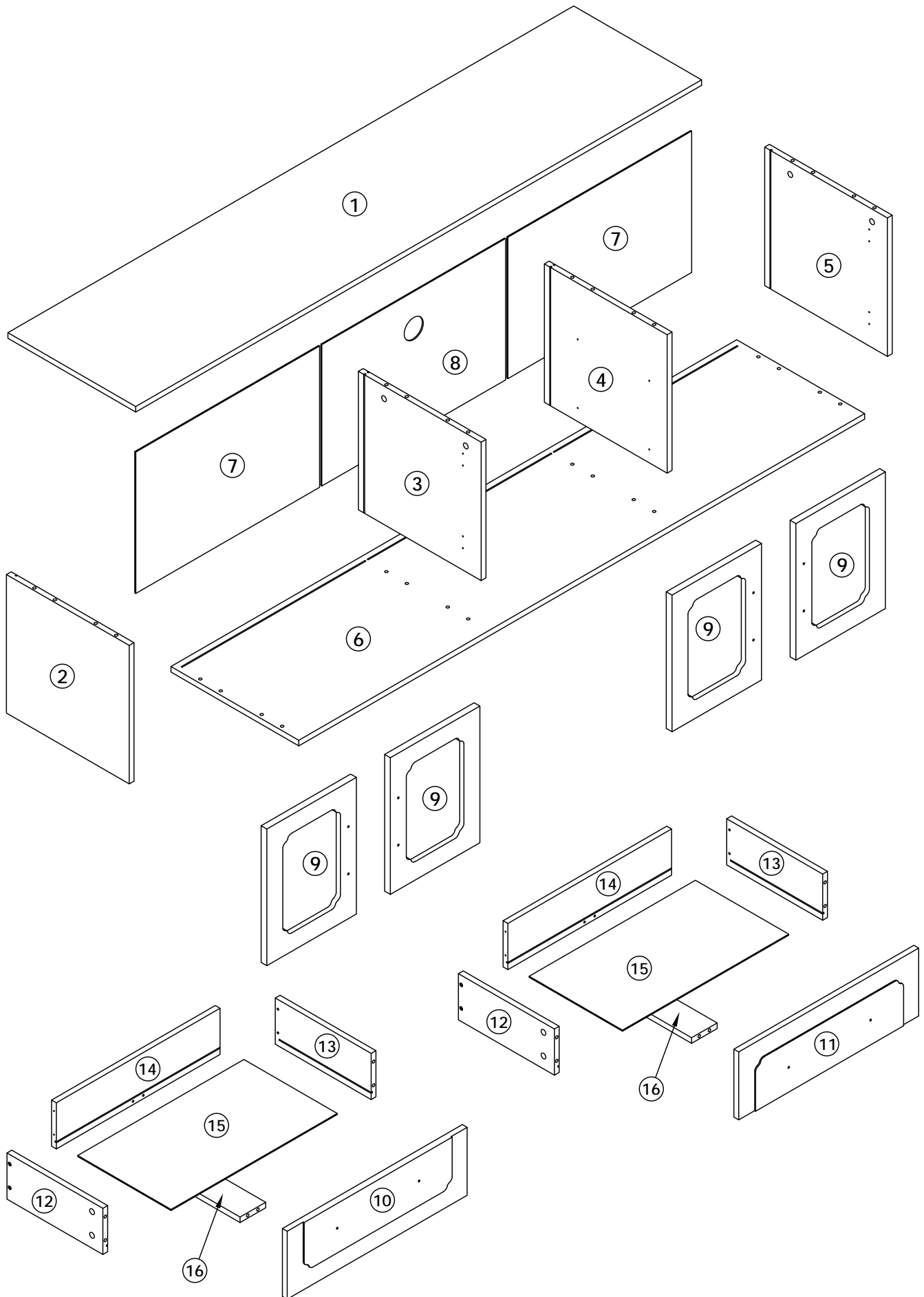
You should feel a click when the camlock is locked in place.

The joint is now secure.

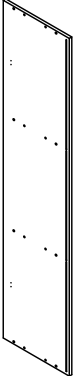
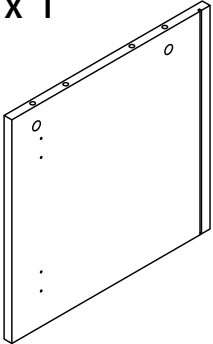
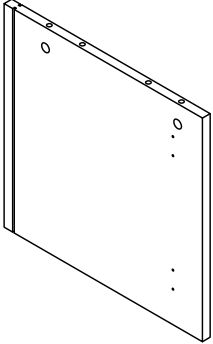
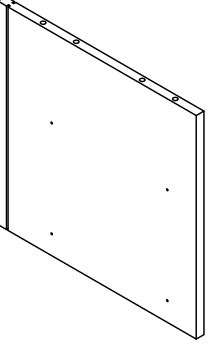
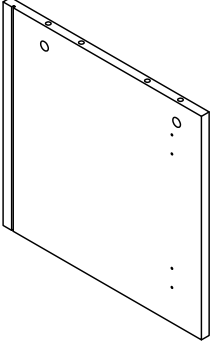
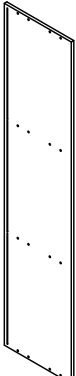
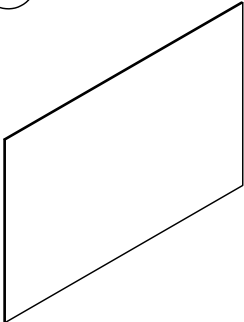
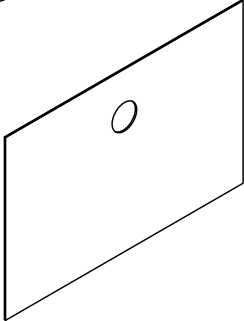
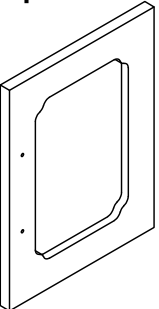
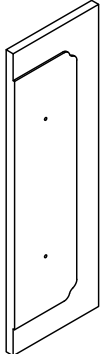
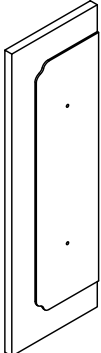
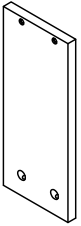
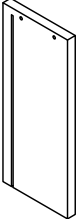
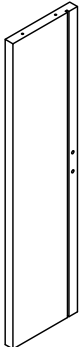
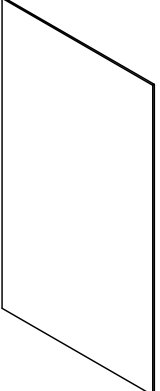
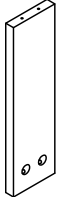
4



# Assembly Instructions

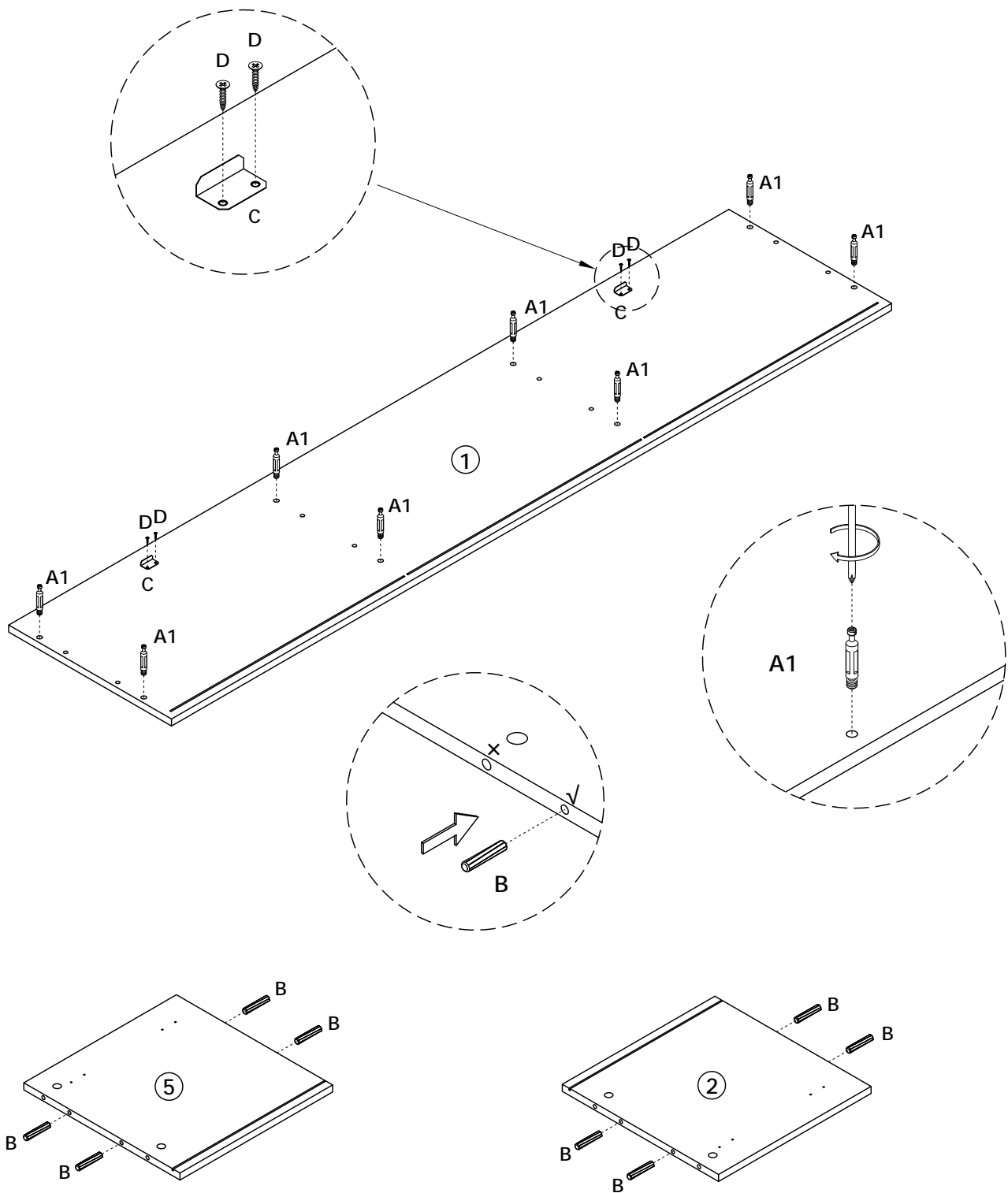


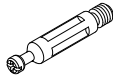
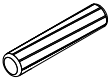


# Assembly Instructions

<p>① x 1</p>  <p>1770x400x15mm</p>	<p>② x 1</p>  <p>384x375x15mm</p>	<p>③ x 1</p>  <p>384x375x15mm</p>	<p>④ x 1</p>  <p>384x375x15mm</p>
<p>⑤ x 1</p>  <p>384x375x15mm</p>	<p>⑥ x 1</p>  <p>1770x400x15mm</p>	<p>⑦ x 2</p>  <p>575x383x3mm</p>	<p>⑧ x 1</p>  <p>575x383x3mm</p>
<p>⑨ x 4</p>  <p>370x280x18mm</p>	<p>⑩ x 1</p>  <p>563x184x18mm</p>	<p>⑪ x 1</p>  <p>563x184x18mm</p>	<p>⑫ x 2</p>  <p>300x125x15mm</p>
<p>⑬ x 2</p>  <p>300x125x15mm</p>	<p>⑭ x 2</p>  <p>512x125x15mm</p>	<p>⑮ x 2</p>  <p>520x292x3mm</p>	<p>⑯ x 2</p>  <p>284x80x15mm</p>

# Assembly Instructions

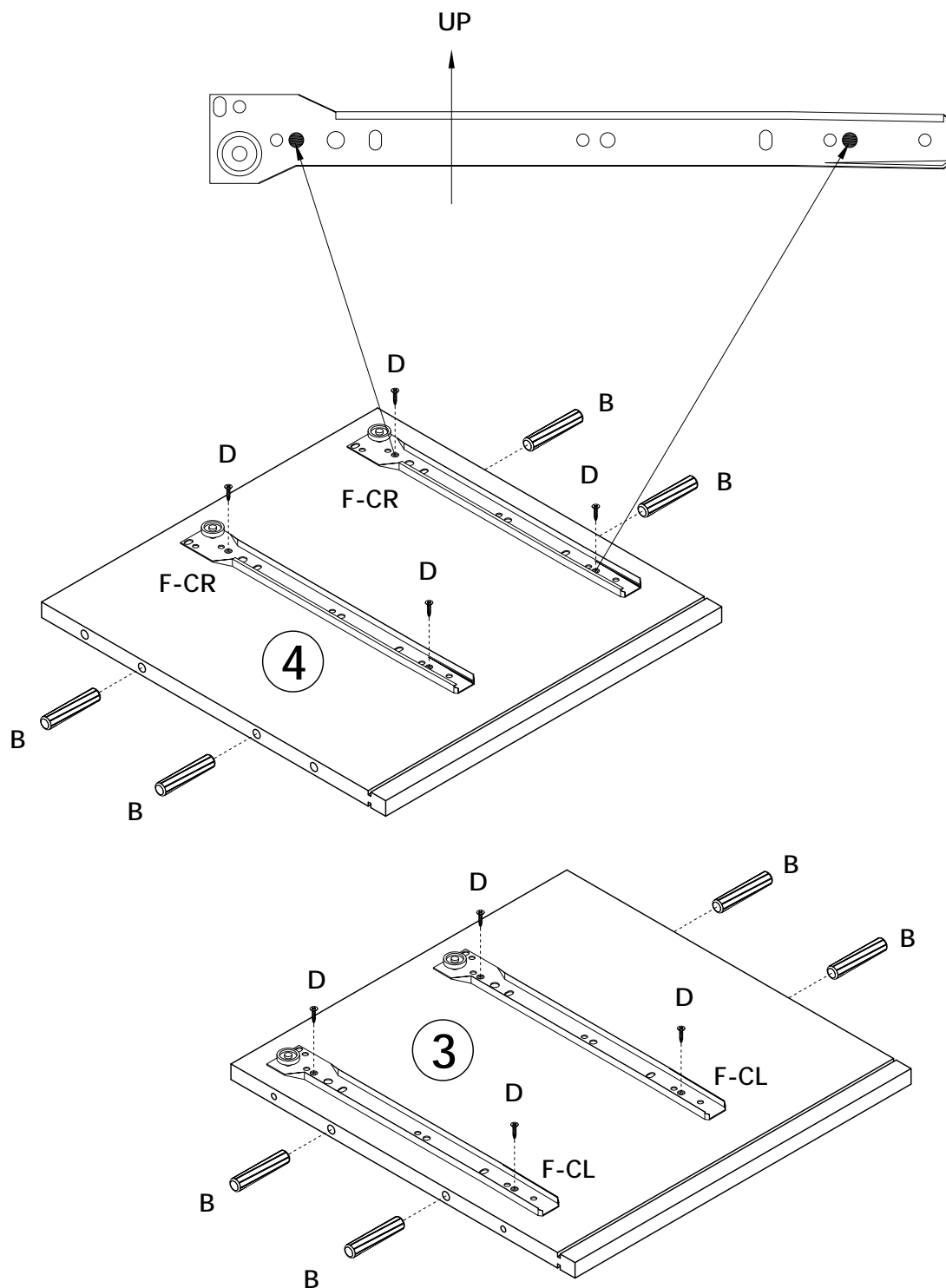
## Step 1

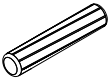

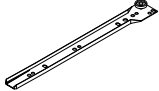
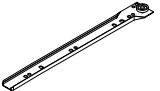


<p>(A1)</p>  <p>Cam Bolt x 8</p>	<p>(B)</p>  <p>8*40mm Dowel x 8</p>	<p>(C)</p>  <p>Door-blocking x 2</p>	<p>(D)</p>  <p>3.5*14mm Screw x 4</p>
---------------------------------------------------------------------------------------------------------------------	------------------------------------------------------------------------------------------------------------------------	-------------------------------------------------------------------------------------------------------------------------	---------------------------------------------------------------------------------------------------------------------------

# Assembly Instructions

## Step 2

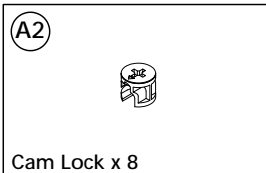
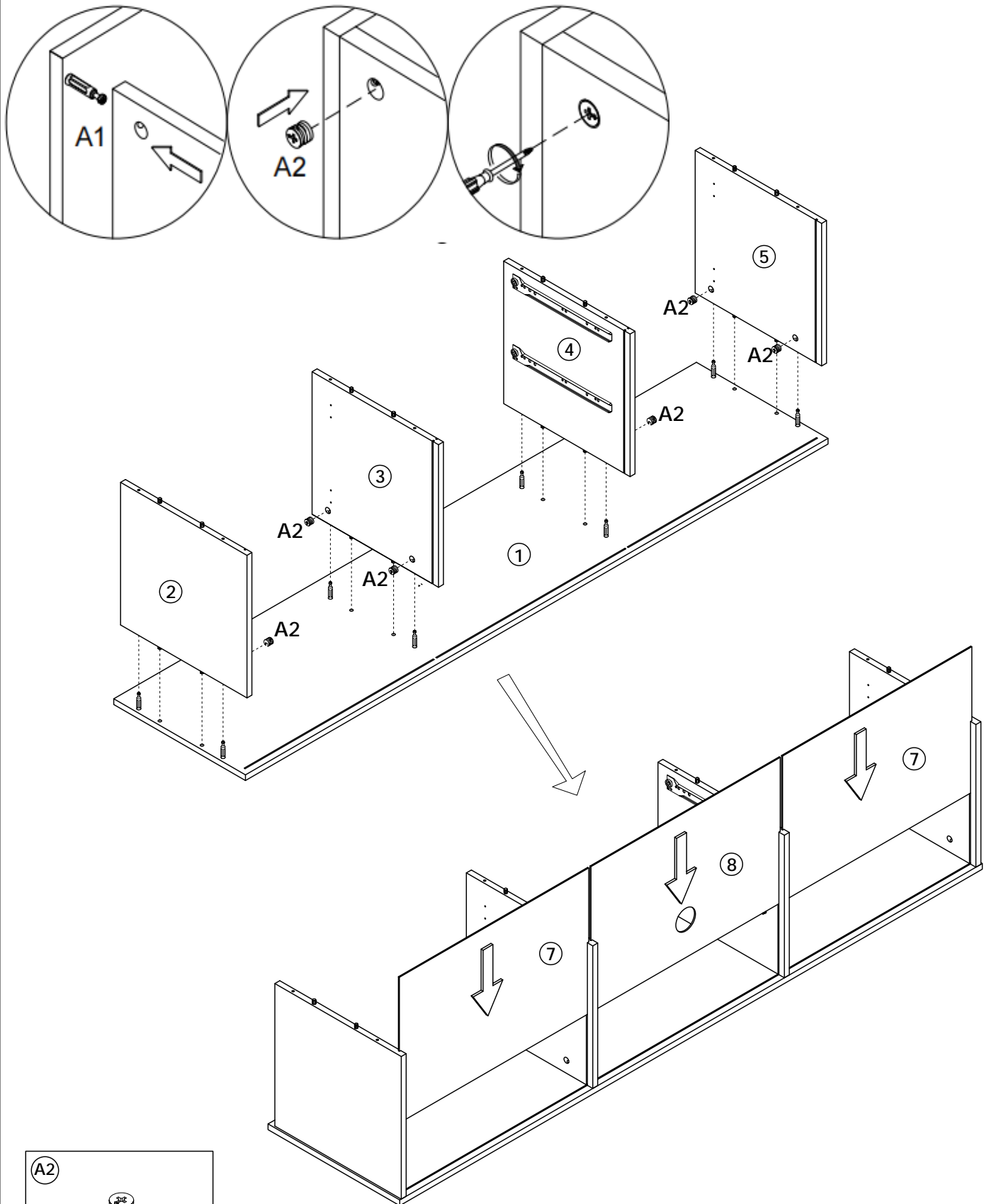


 8*40mm Dowel x 8	 3.5*14mm Screw x 8	 300mm Runner-CL x 2	 300mm Runner-CR x 2
---------------------------------------------------------------------------------------------------------	-----------------------------------------------------------------------------------------------------------	------------------------------------------------------------------------------------------------------------	-------------------------------------------------------------------------------------------------------------



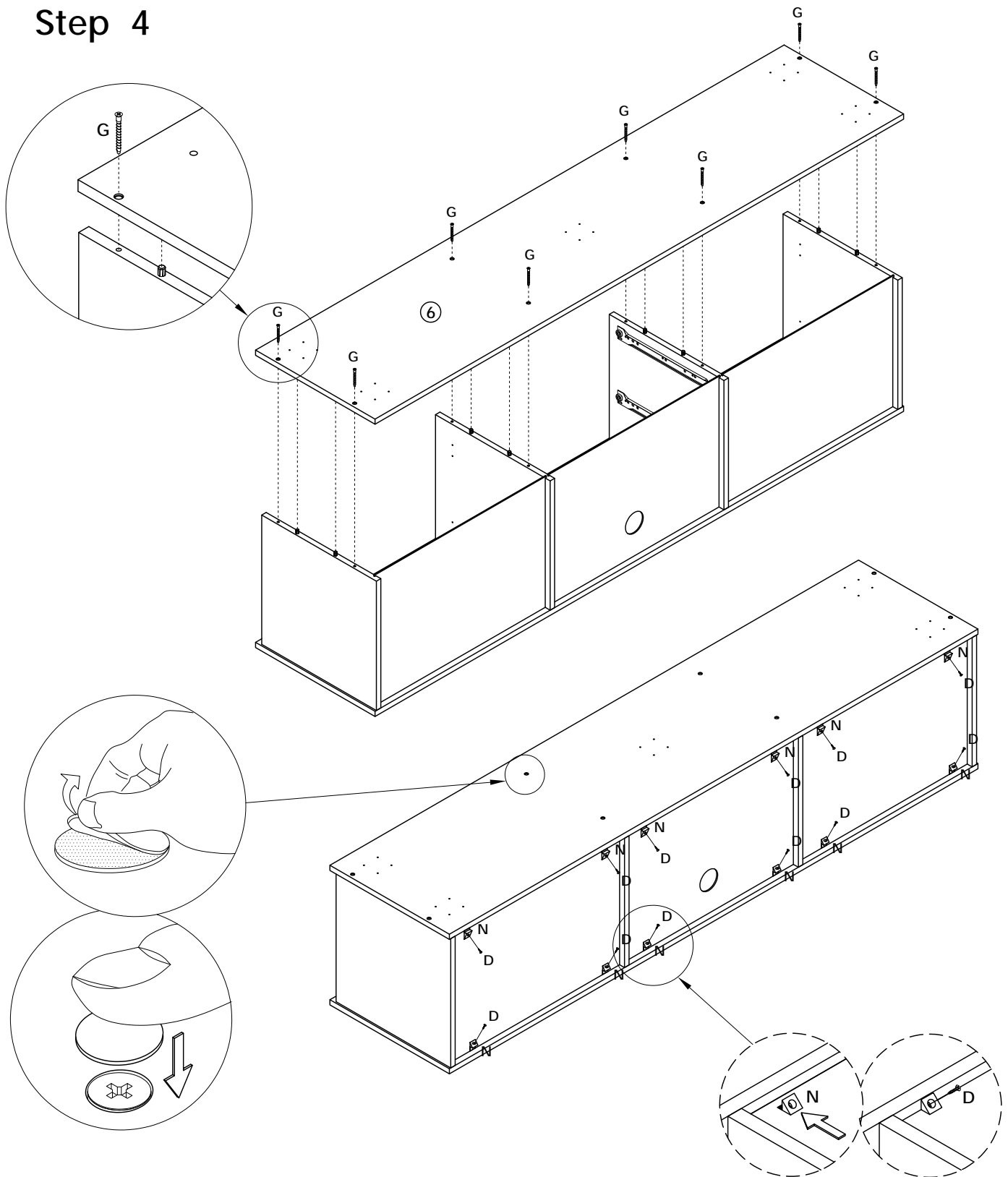
# Assembly Instructions


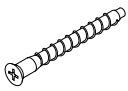


## Step 3



# Assembly Instructions

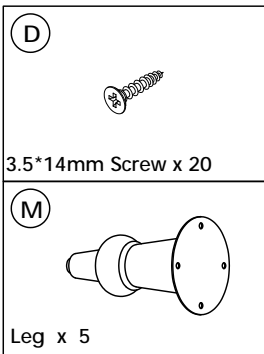
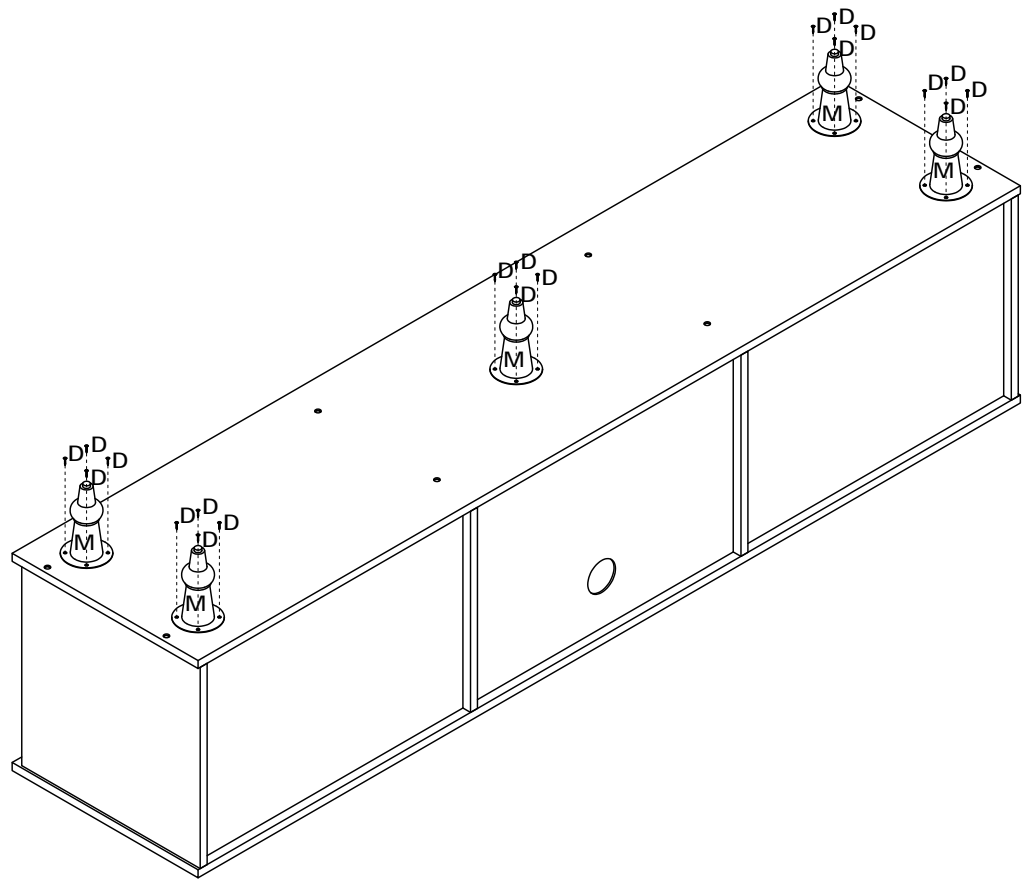
## Step 4



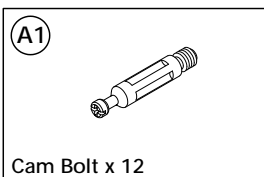
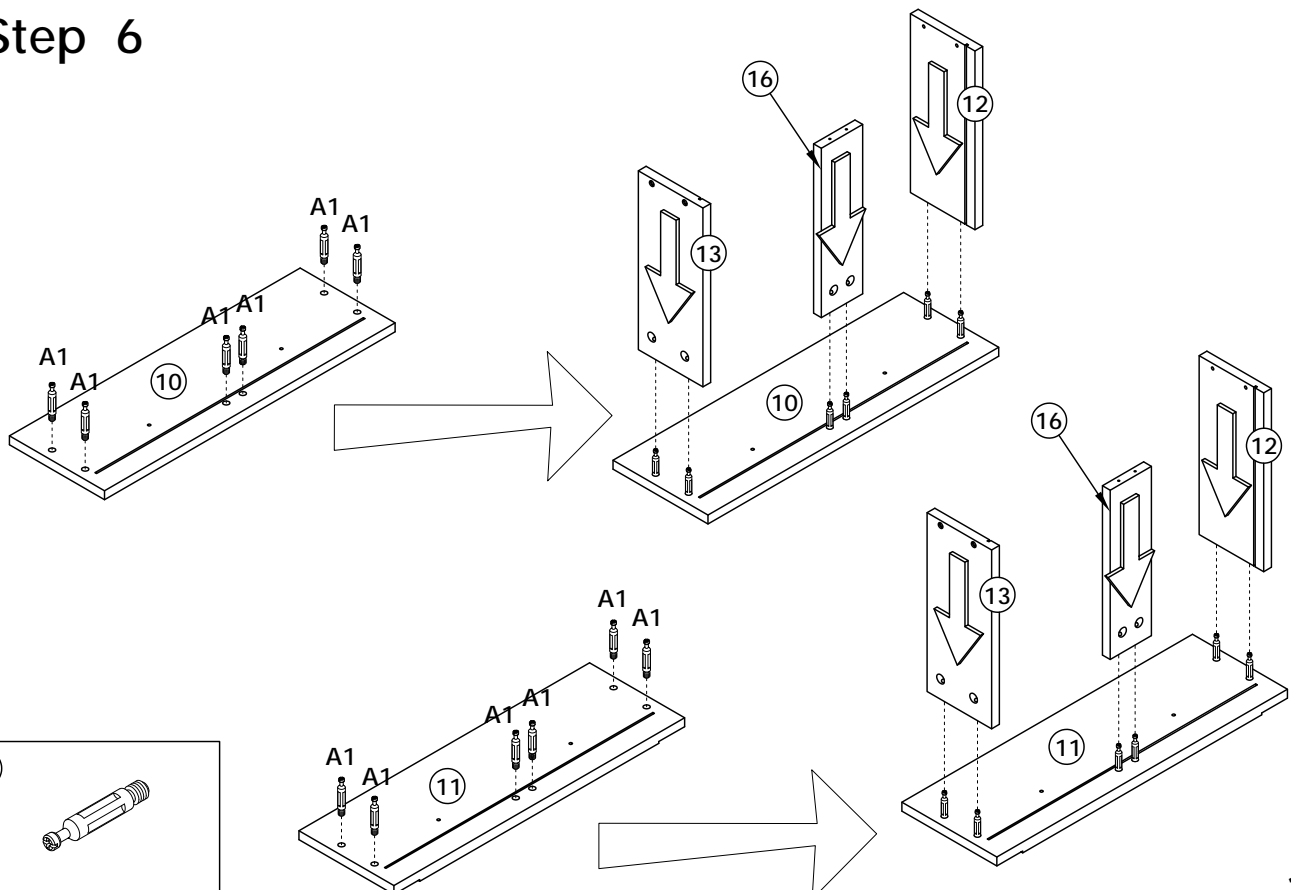
<p><b>(D)</b></p>  <p>3.5*14mm Screw x 12</p>	<p><b>(G)</b></p>  <p>7*50mm Dowel x 8</p>	<p><b>(N)</b></p>  <p>Backboard buckle x 12</p>	<p><b>(P)</b></p>  <p>Hole to stick x 28</p>
----------------------------------------------------------------------------------------------------------------------------------	-------------------------------------------------------------------------------------------------------------------------------	------------------------------------------------------------------------------------------------------------------------------------	----------------------------------------------------------------------------------------------------------------------------------

# Assembly Instructions

## Step 5



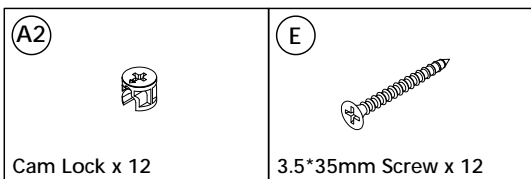
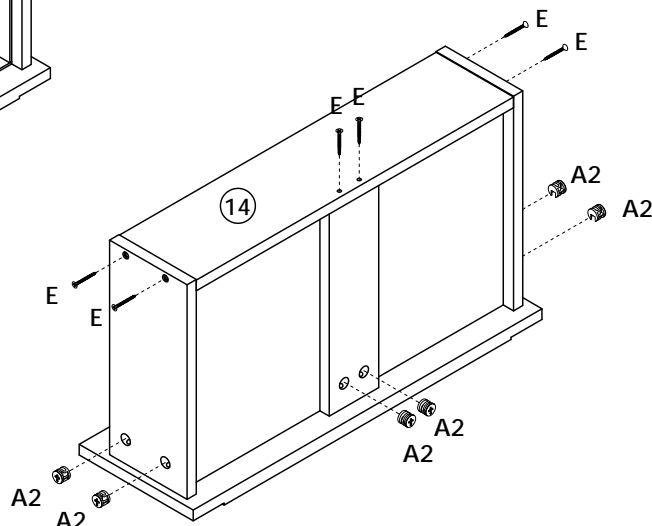
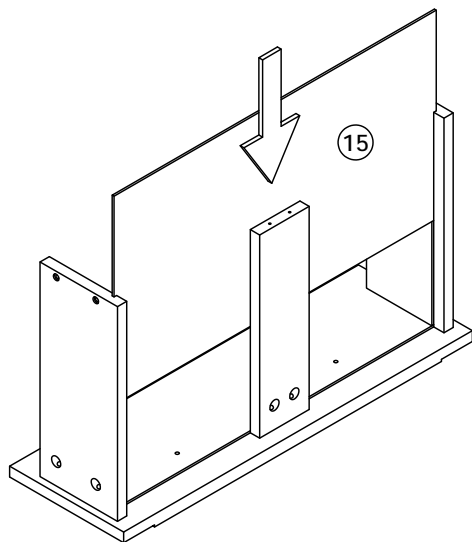
## Step 6



# Assembly Instructions

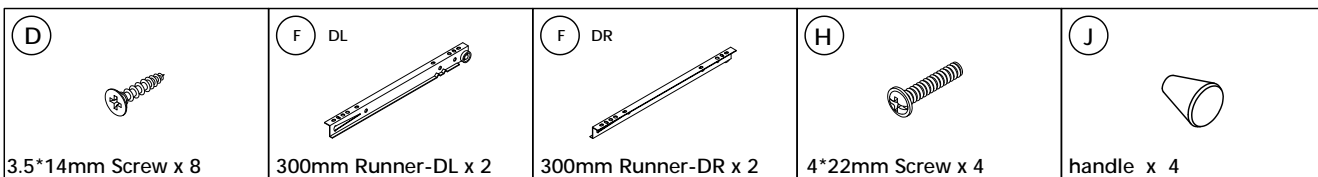
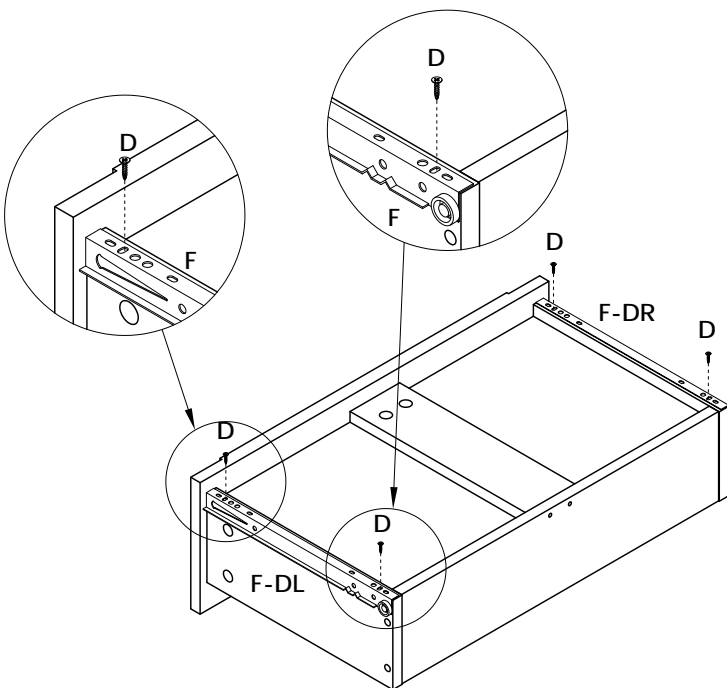
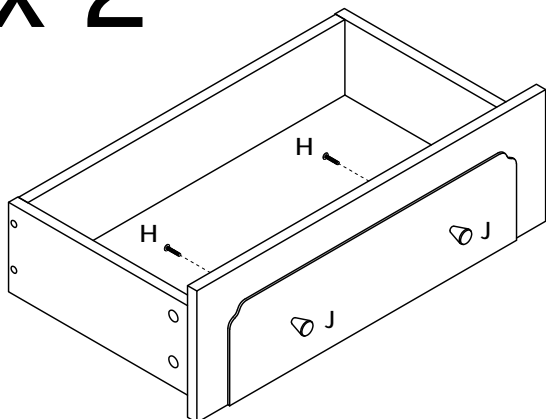
## Step 7

x 2



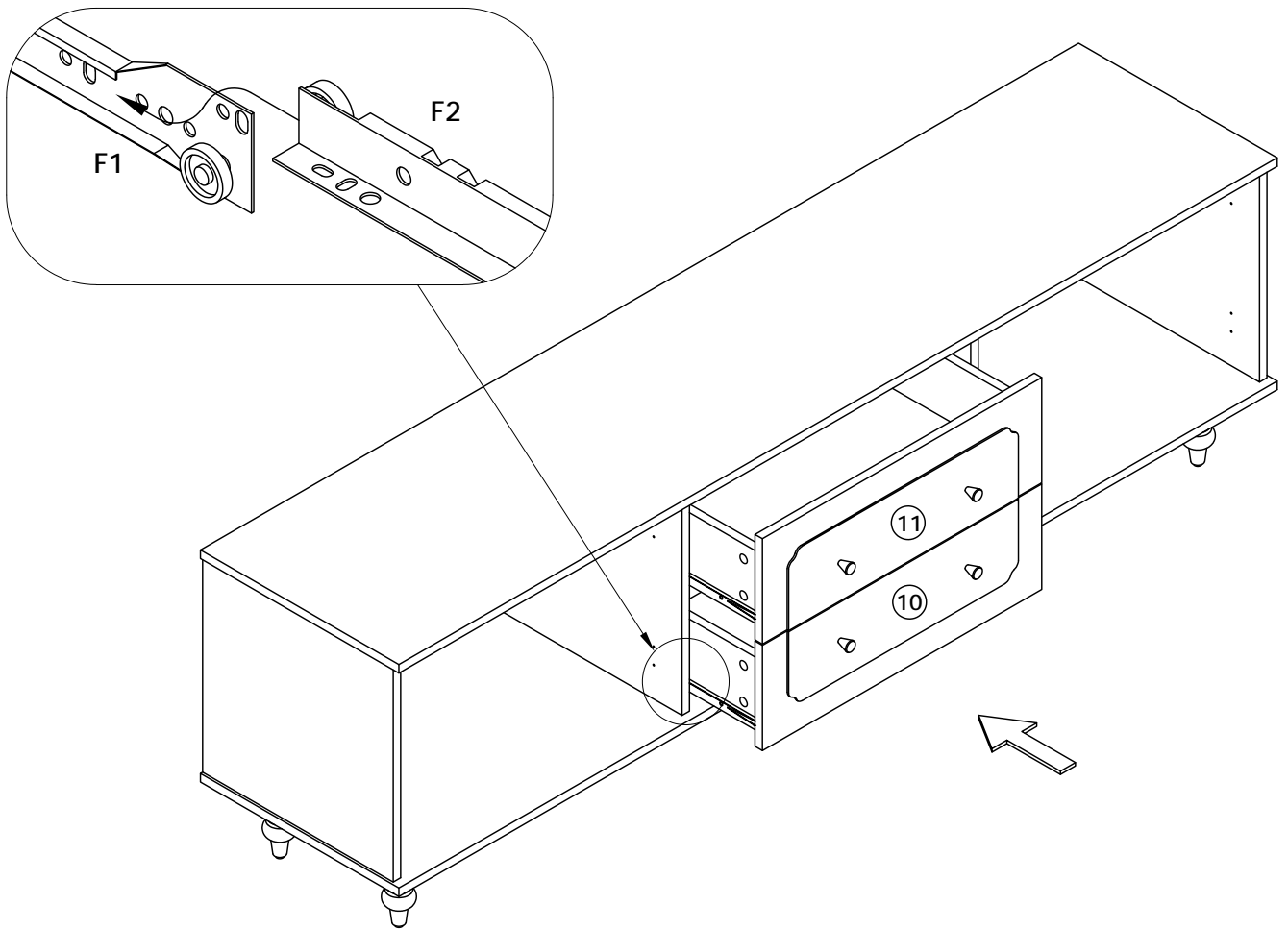
## Step 8

x 2



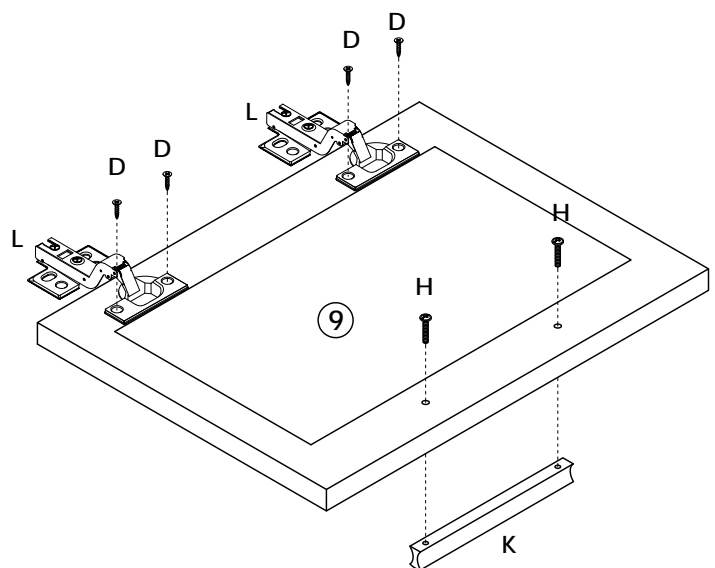
# Assembly Instructions



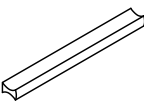
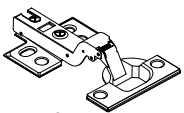
## Step 9



## Step 10

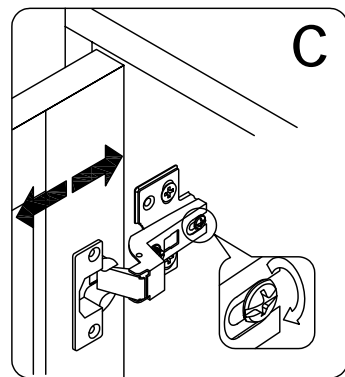
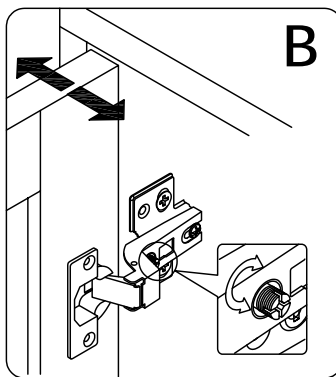
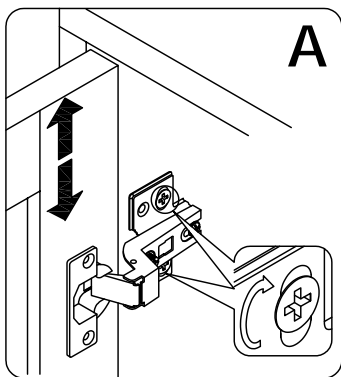
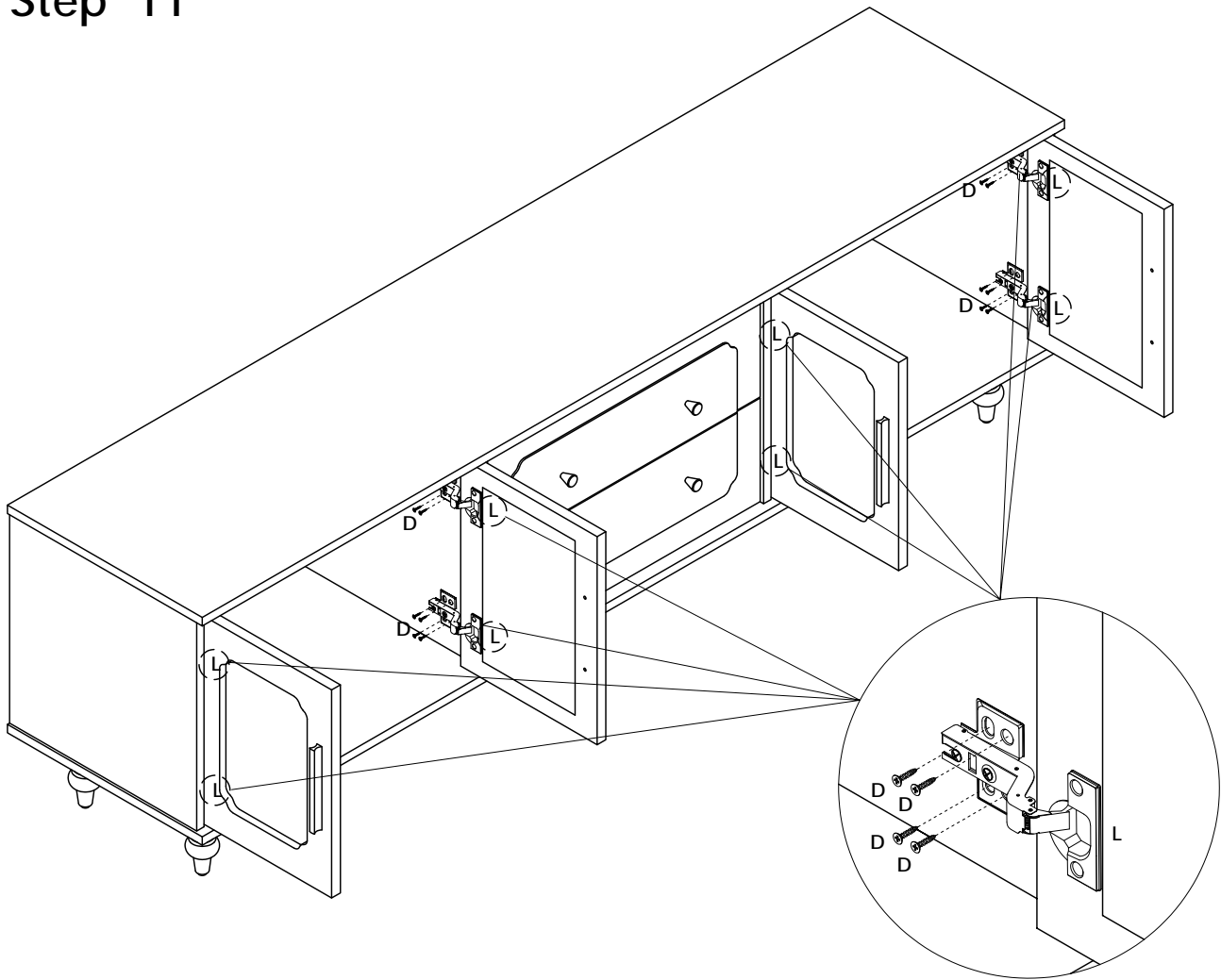
x 4



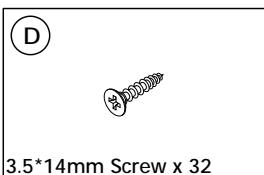
<p>(D)</p>  <p>3.5*14mm Screw x 16</p>	<p>(H)</p>  <p>4*22mm Screw x 8</p>
<p>(K)</p>  <p>handle x 4</p>	<p>(L)</p>  <p>Hinge x 8</p>

# Assembly Instructions

## Step 11

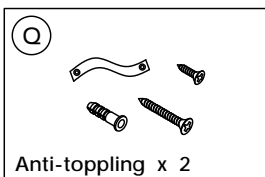
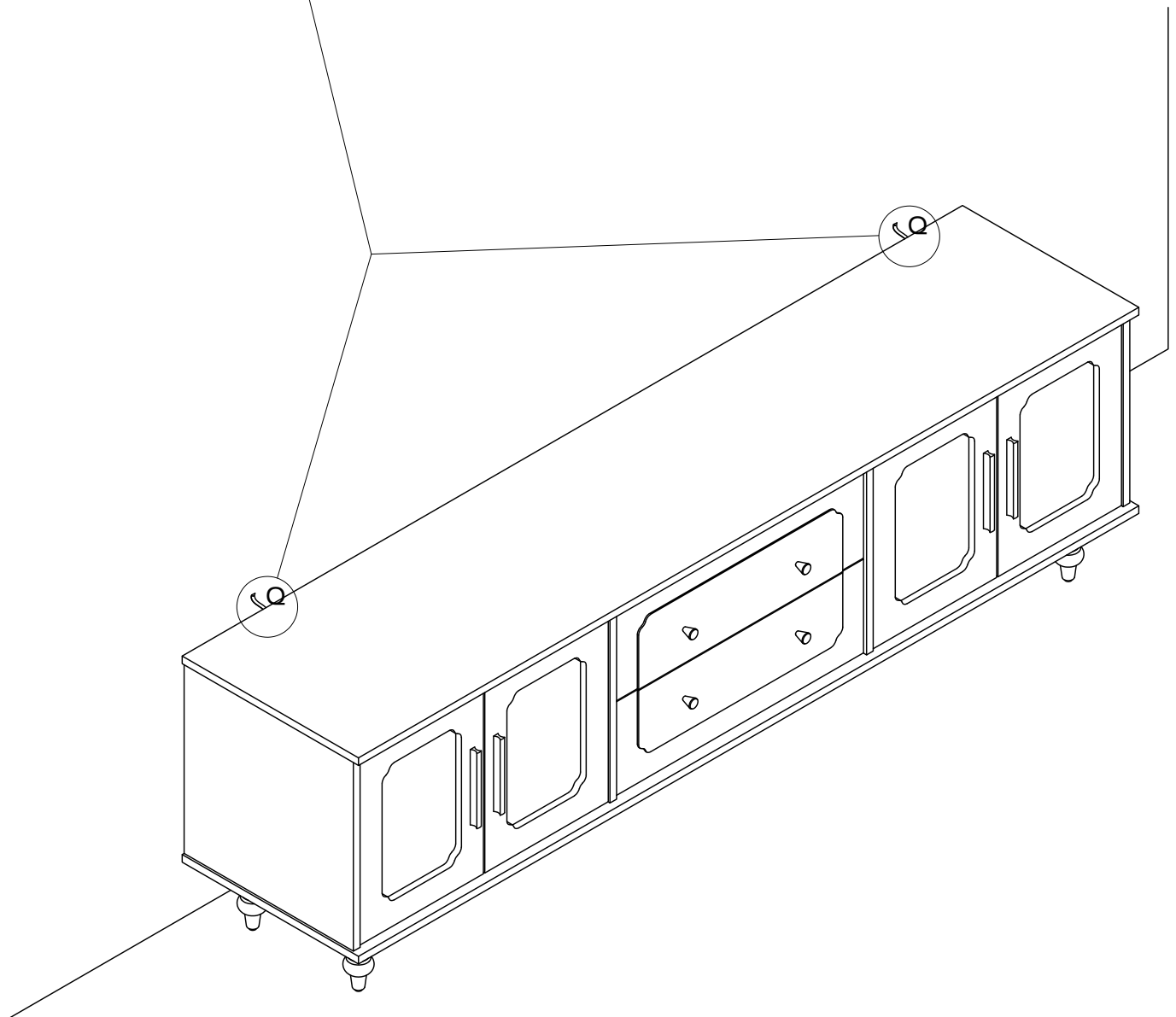
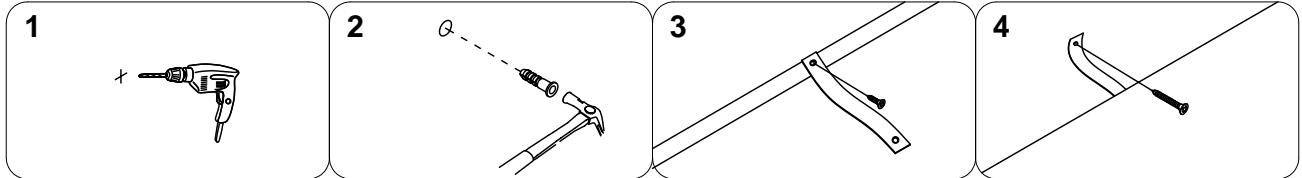


- A** Adjust this screw to adjust the distance between the upper and down parts of the door panel,
- B** Adjust this screw to adjust the left and right distance of the door panel.
- C** Adjust this screw to adjust the longitudinal separation of the door panel.



# Assembly Instructions

## Step 12



# Assembly Instructions

## Step 13

