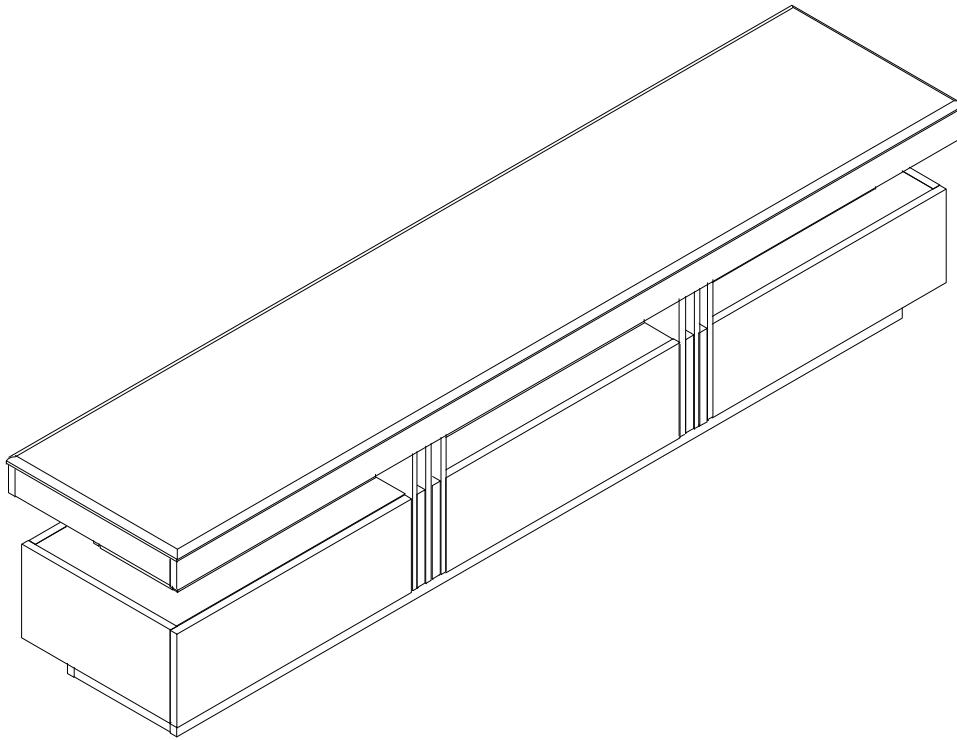


# TV STAND

Assembly Instructions - Please keep for future reference



## Dimensions

Width-68.89inch

Depth-14.96inch

Height-16.53inch

Important – Please read these instructions fully before starting assembly



# Safety and Care Advice

**Important – Please read these instructions fully before starting assembly**

- Check you have all the components and tools listed on the following pages.
- Remove all fittings from the plastic bags and separate them into their groups.
- Keep children and animals away from the work area, small parts could choke if swallowed.
- Make sure you have enough space to layout the parts before starting.

- During assembly do not stand or put weight on the product, this could cause damage.
- Assemble the item as close to its final position (in the same room) as possible.
- Assemble on a soft level surface to avoid damaging the unit or your floor.
- Parts of the assembly will be easier with 2 people.



power drill is set on a low torque setting.

- To reduce the likelihood of damaging your product please ensure that your

## Care and maintenance

• Only clean using a damp cloth and mild detergent, do not use bleach or abrasive cleaners.

• From time to time check that there are no loose screws on this unit.

• This product should not be discarded with household waste. Take to your local authority waste disposal centre.

## Handy Hints

• Assemble all parts and bolts loosely during assembly, only once the product is complete should you fully tighten the bolts

• Regularly check and ensure That all bolts and fittings are tightend properly.

**WARNING**  
**In order to help prevent overturning –**  
**please follow these instructions**

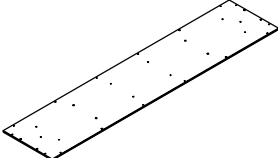
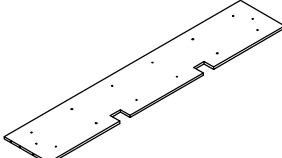
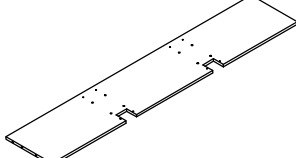
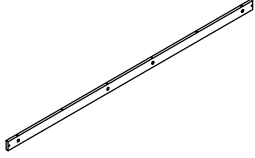
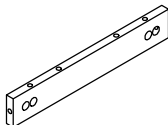
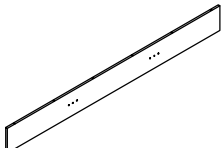
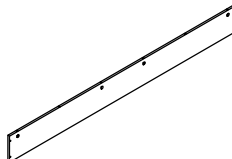
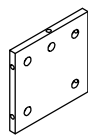
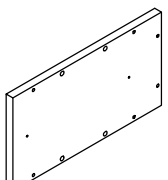
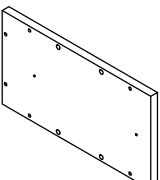
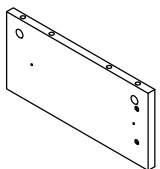
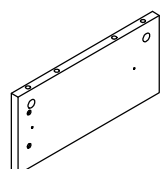
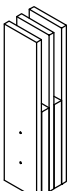
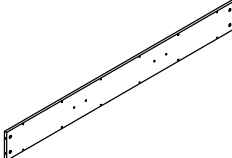
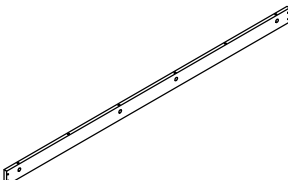
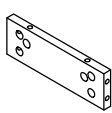
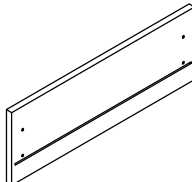
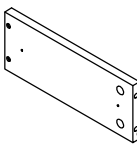
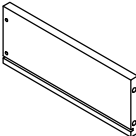
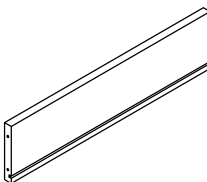
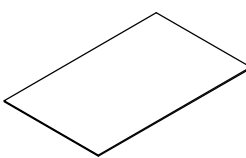
To help prevent product toppling over please follow the below steps:-

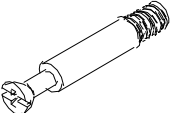



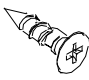
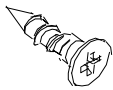
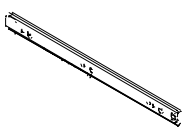

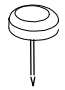
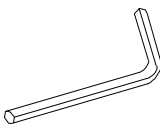
- Use the anti tip stap or wall fixing method provided (if applicable)
- Do not allow children to climb or hang on the furniture
- Do not open more than one drawer at a time
- Do not place heavy items in the top drawers
- Do not place heavy items on top of the furniture, unless the furniture has been designed for this purpose

# Components - Fittings

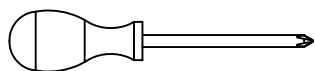
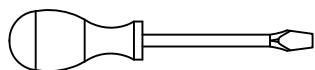
Please check you have all the panels listed below

Note: The quantities below are the correct amount to complete the assembly. In some cases more fittings may be supplied than are required.

			
① x 1PC	② x 1PC	③ x 1PC	④ x 2PCS
			
⑤ x 2PCS	⑥ x 1PC	⑦ x 1PC	⑧ x 2PCS
			
⑨ x 1PC	⑩ x 1PC	⑪ x 2PCS	⑫ x 2PCS
			
⑬ x 2PCS	⑭ x 1PC	⑮ x 2PCS	⑯ x 2PCS
			
⑰ x 3PCS	⑱ x 3PCS	⑲ x 3PCS	⑳ x 3PCS
			
㉑ x 3PCS			

M6*35mm 	15*12mm 	8*30mm 	7*40mm 
<b>A x 94PCS</b>	<b>B x 94PCS</b>	<b>C x 48PCS</b>	<b>D x 28PCS</b>
3*14mm 	3*20mm 	285mm 	4*35mm 
<b>E x 24PCS</b>	<b>F x 8PCS</b>	<b>G x 6PCS</b>	<b>H x 12PCS</b>
14.5*8mm 	M4 		
<b>I x 8PCS</b>	<b>J x 1PC</b>		

## Tools required



Phillips screwdriver  
(medium & large)

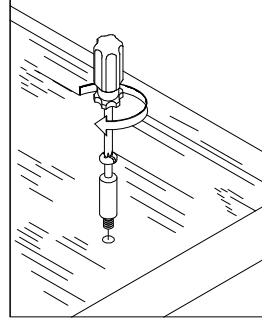
# Using Camlocks

## Step 1

Connect the male camlock as directed in the assembly instructions using a screwdriver.

1

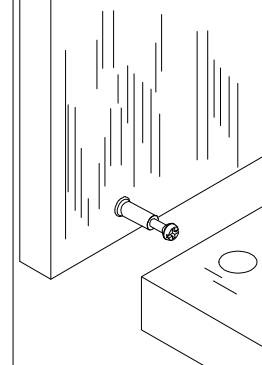
DO NOT OVER TIGHTEN.  
NE PAS SERRER EXCESSIVEMENT.



## Step 2

Push the male camlock into the entry hole.

2

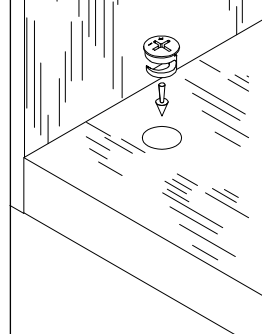


## Step 3

Insert the female camlock as shown in the instruction.

Note: ensure that the arrow on the top of the camlock points towards the entry hole for the male camlock.

3



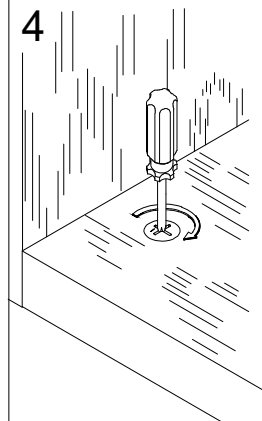
## Step 4

Turn the female camlock clockwise with a screwdriver.

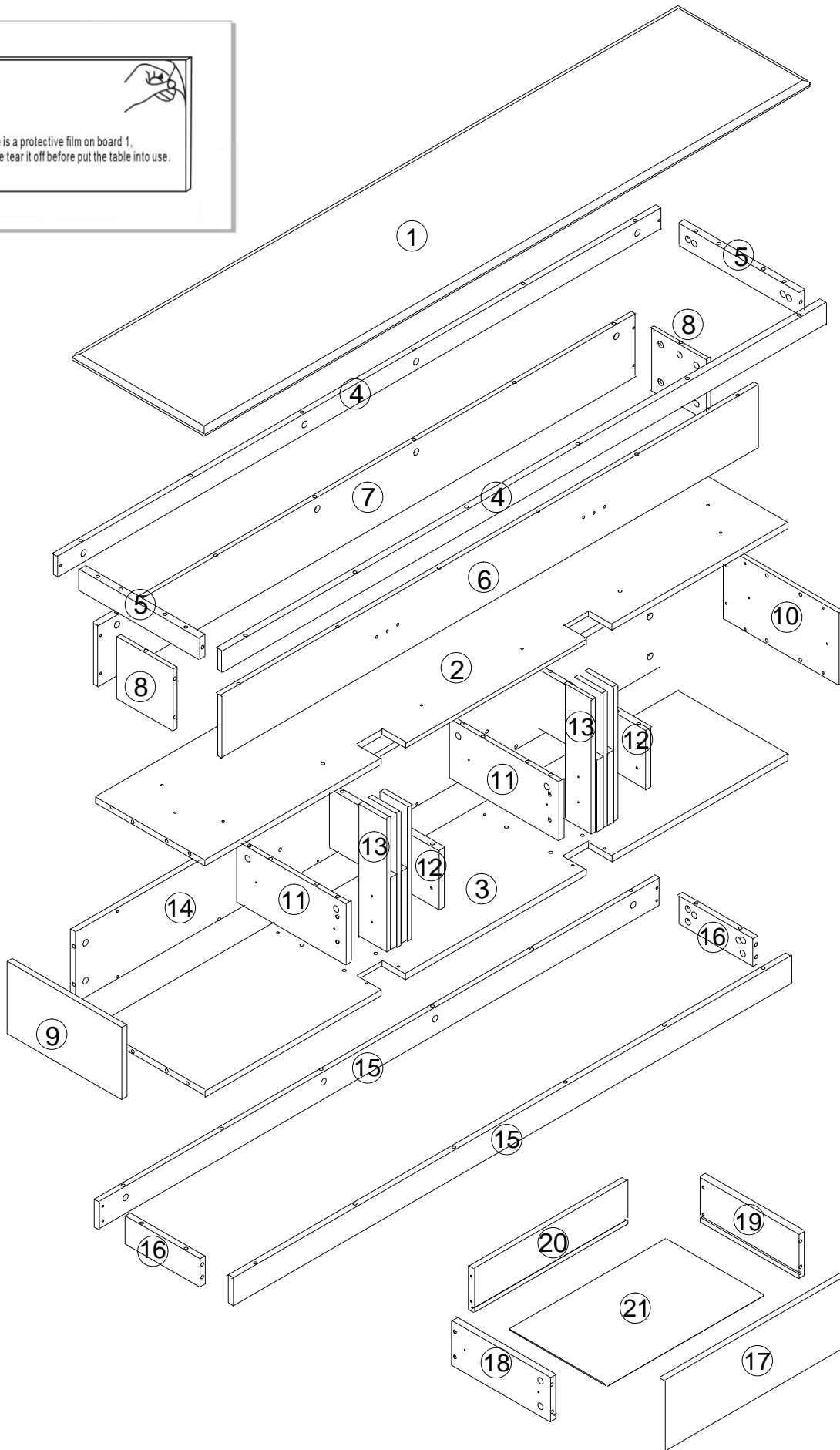
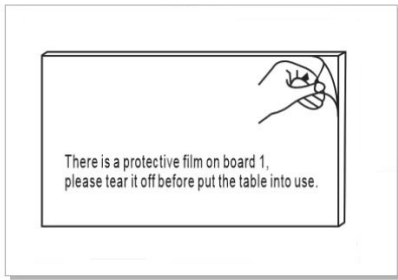
You should feel a click when the camlock is locked in place.

The joint is now secure.

4



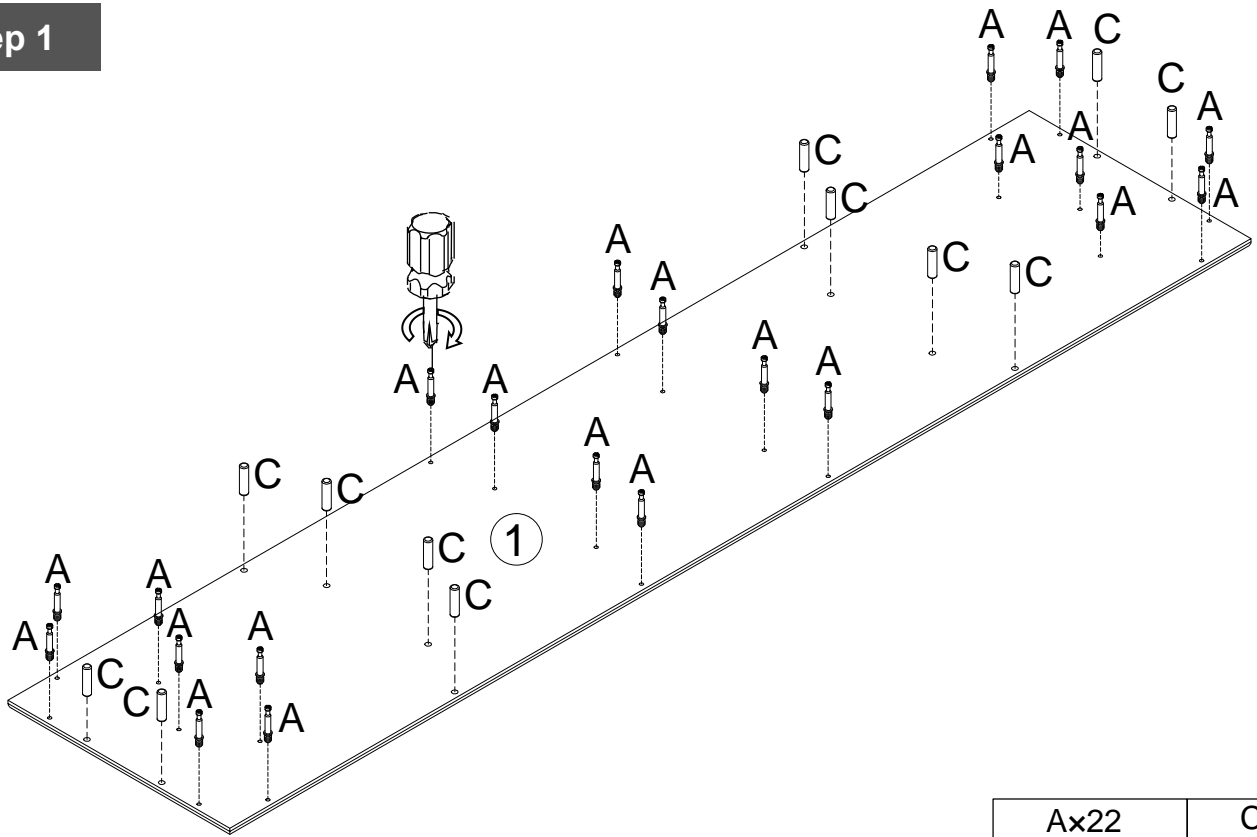
# Assembly Instructions

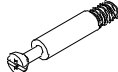



x3

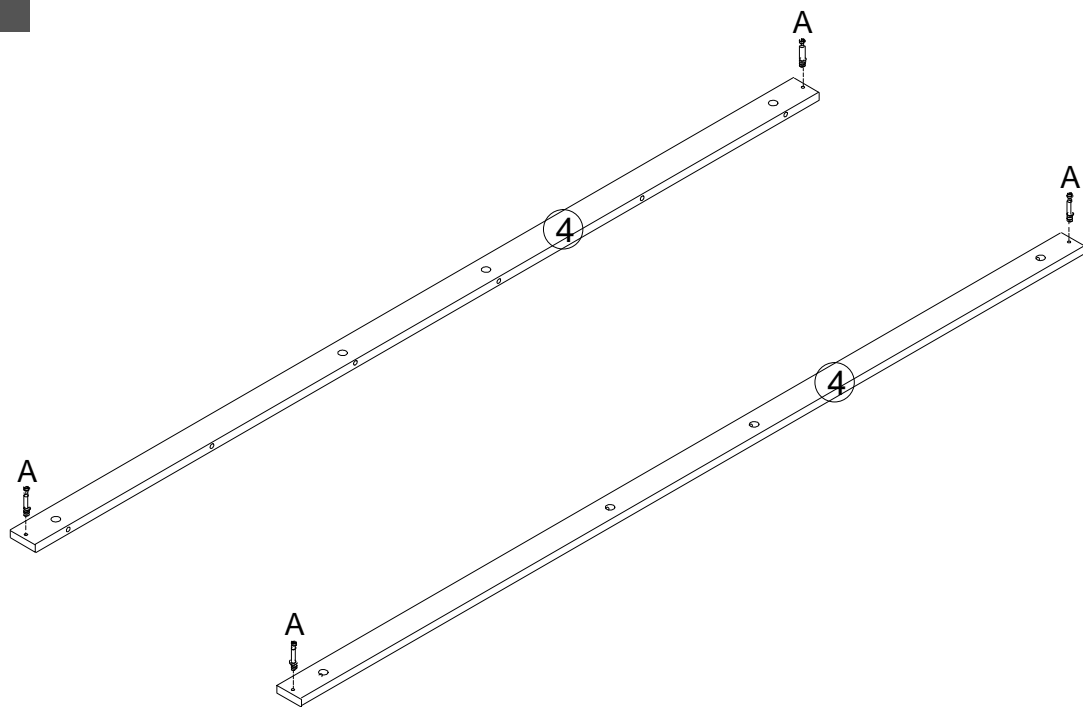
# Assembly Instructions


## Step 1



Ax22	Cx12
M6*35	8*30mm
	

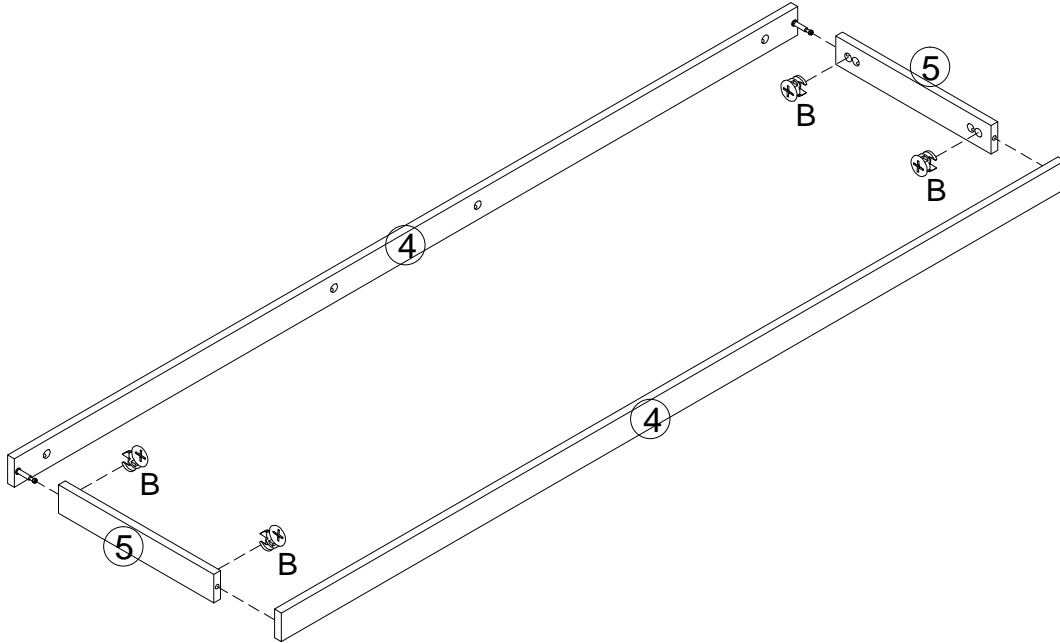
## Step 2



Ax4
M6*35


# Assembly Instructions

## Step 3

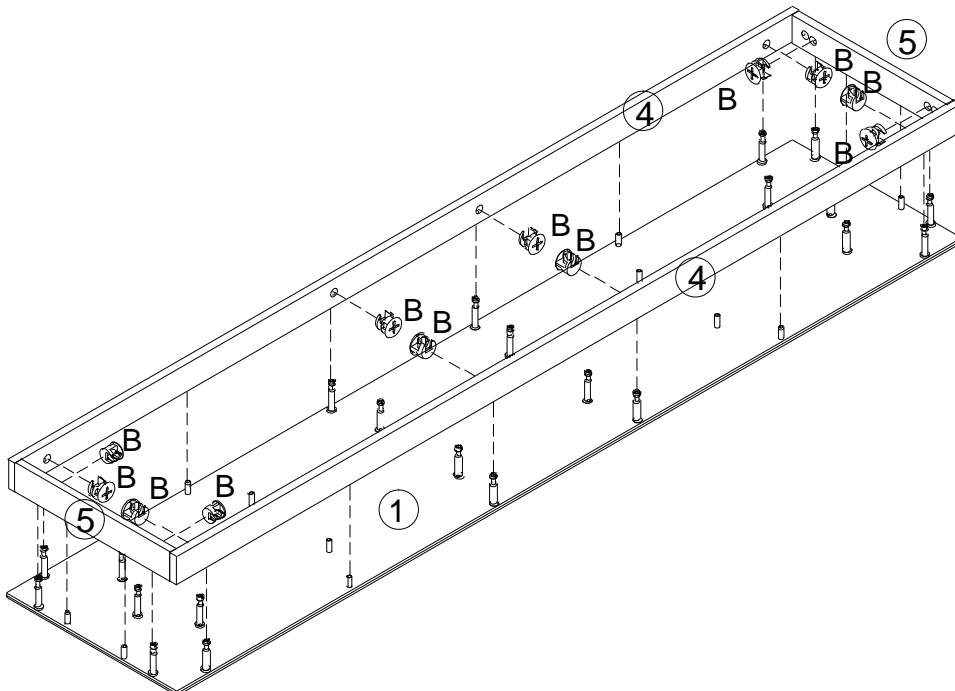


Bx4

Ø15\*12mm



## Step 4



Bx12

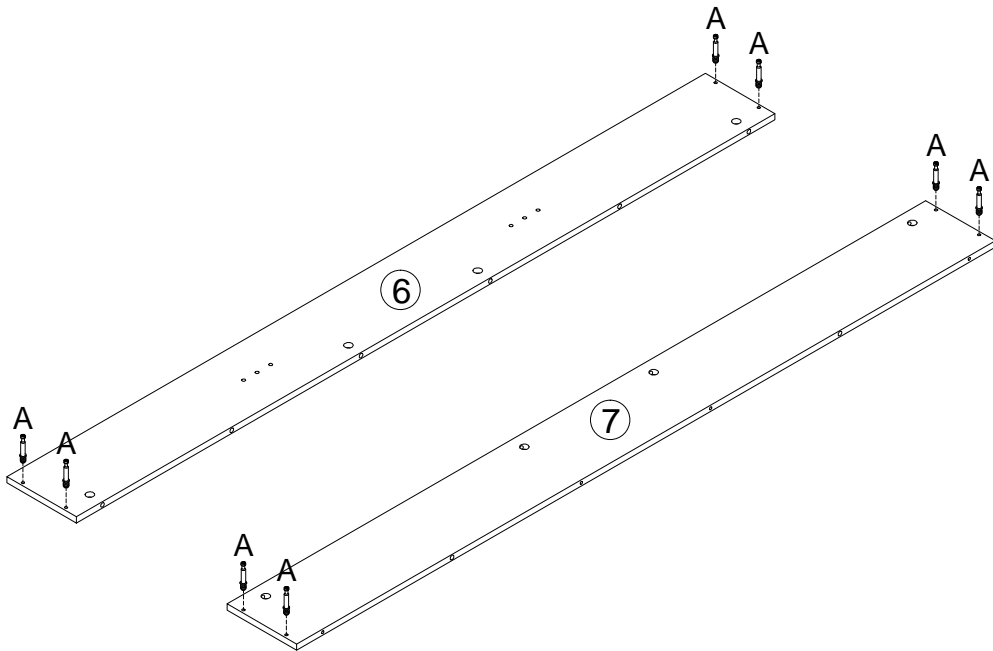
Ø15\*12mm





# Assembly Instructions

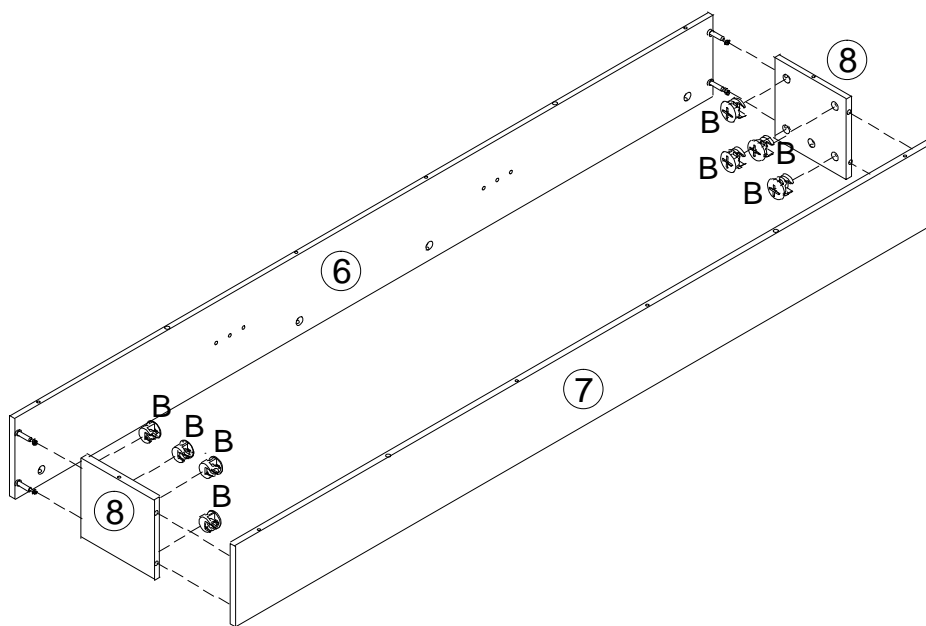
## Step 5



Ax8  
M6\*35



## Step 6



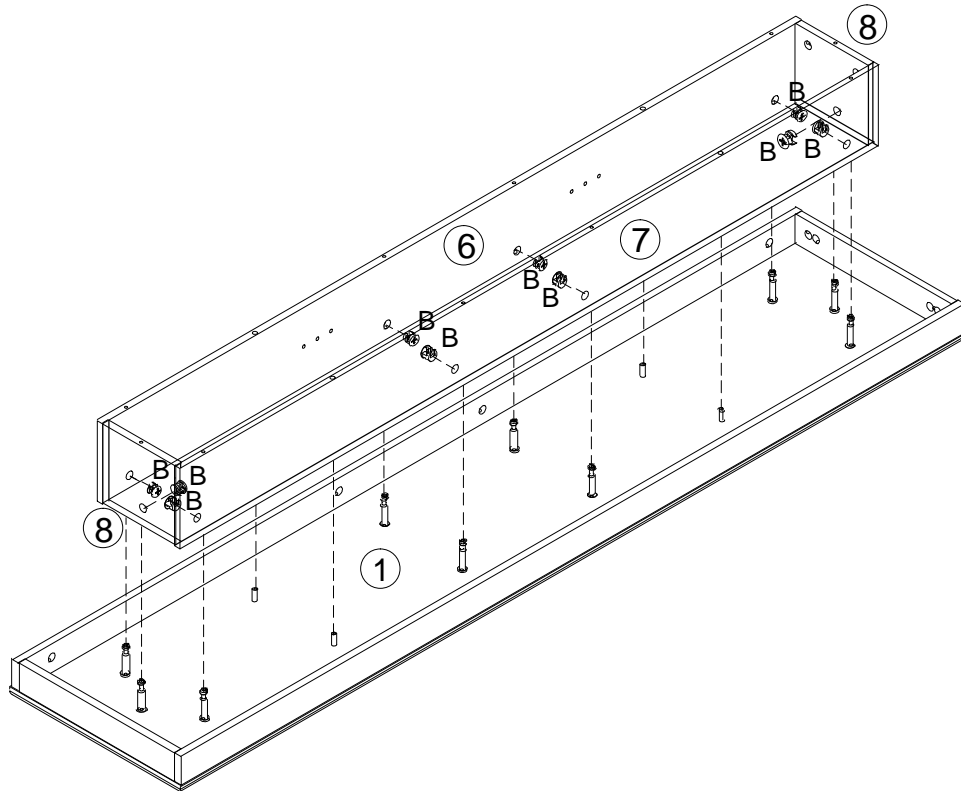
Bx8

Ø15\*12mm



# Assembly Instructions

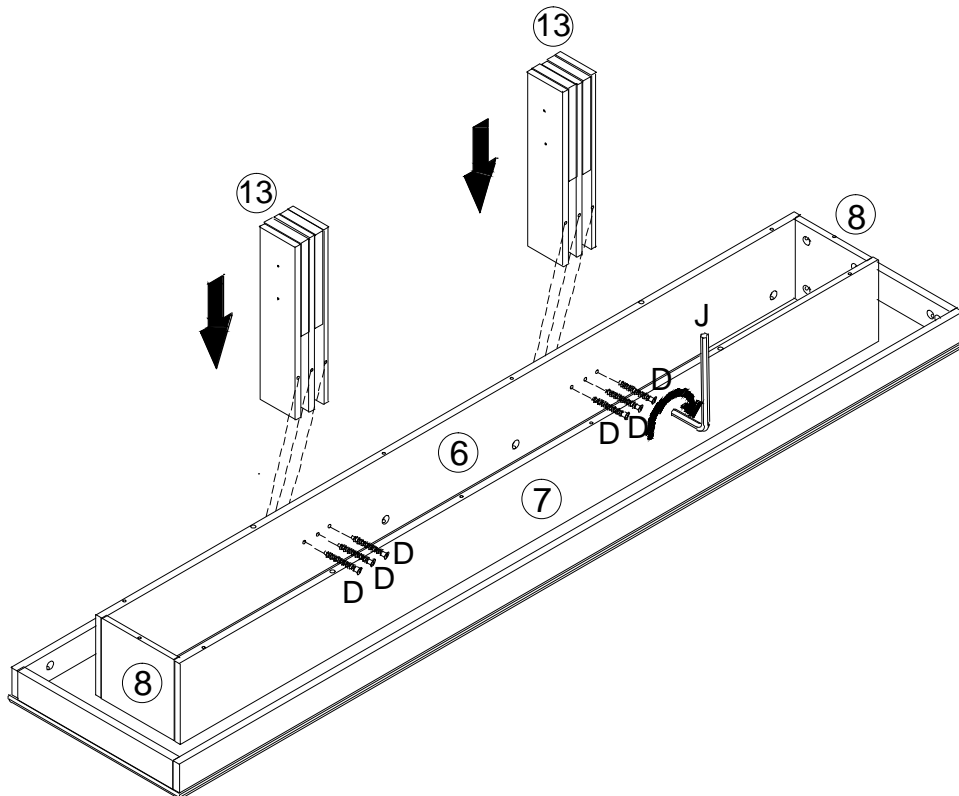
## Step 7



Bx10  
Ø15\*12mm



## Step 8

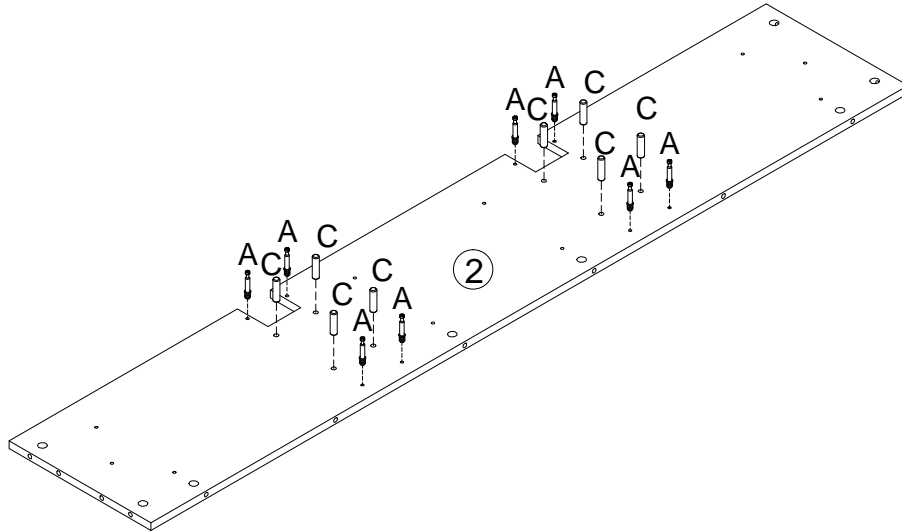


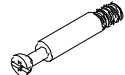

Dx6  
7\*40



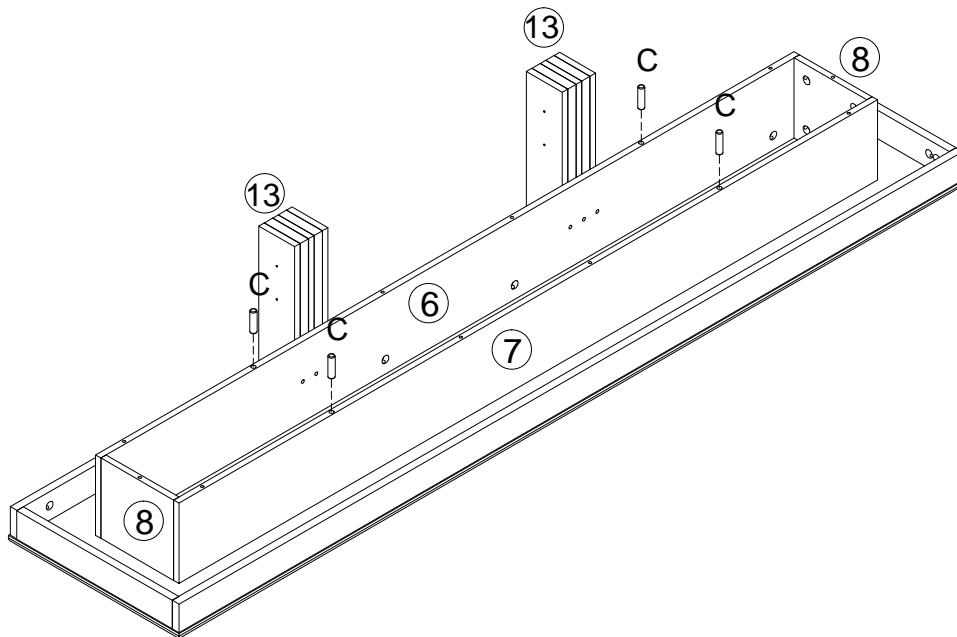
# Assembly Instructions


## Step 9



<b>Ax8</b> M6*35	<b>Cx8</b> Ø8*30
	

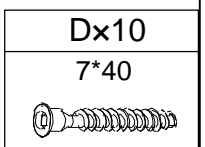
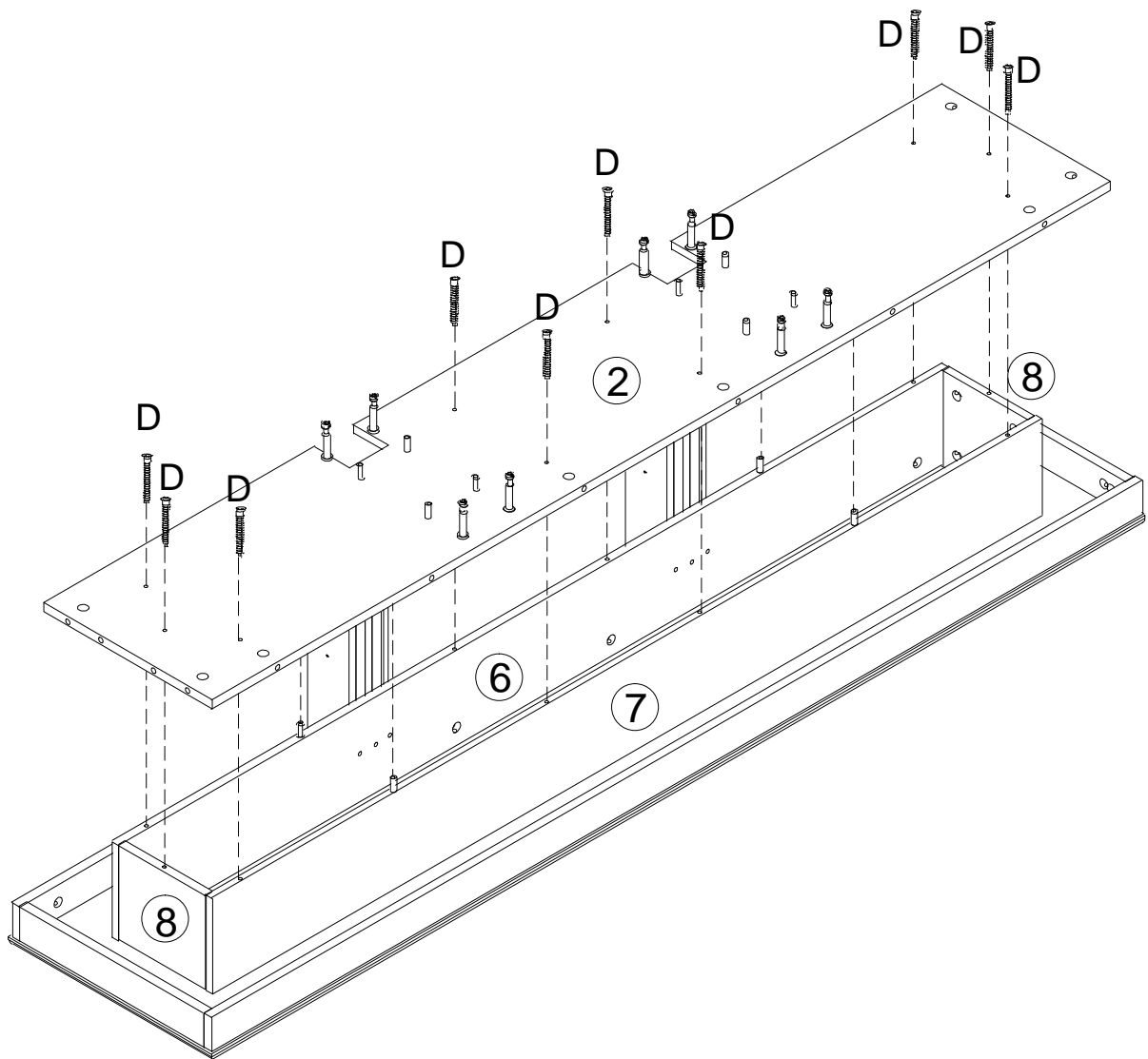
## Step 10



<b>Cx4</b> Ø8*30


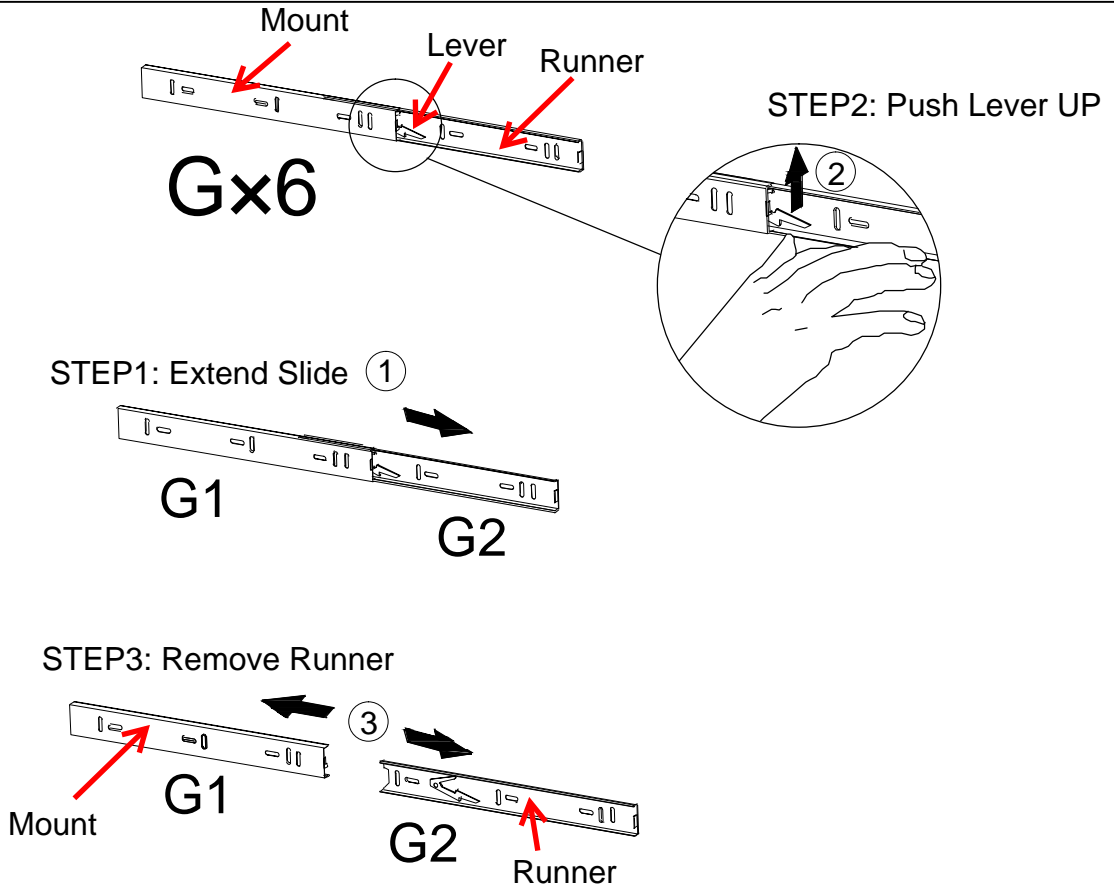
# Assembly Instructions

## Step 11

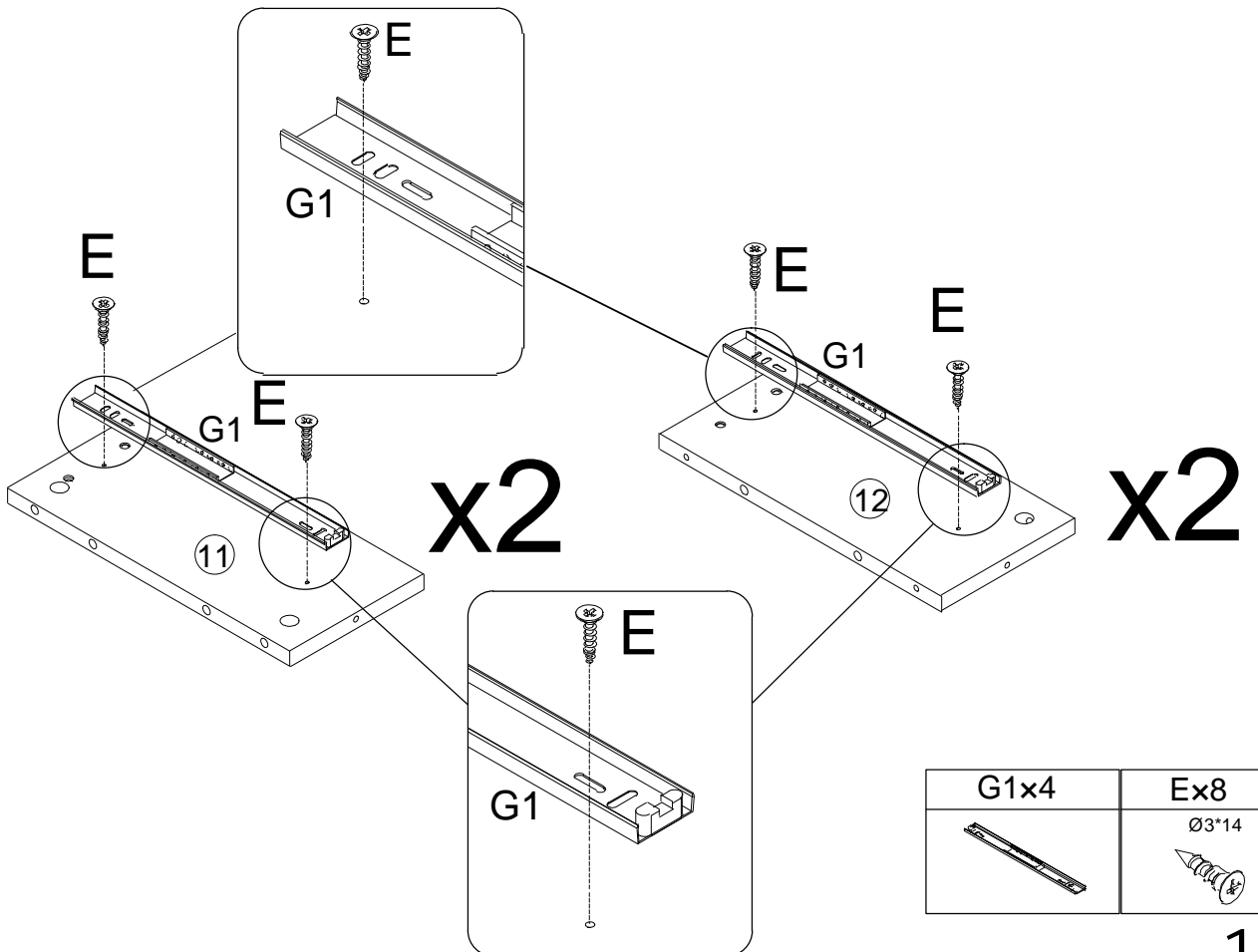


# Assembly Instructions

## Step 12

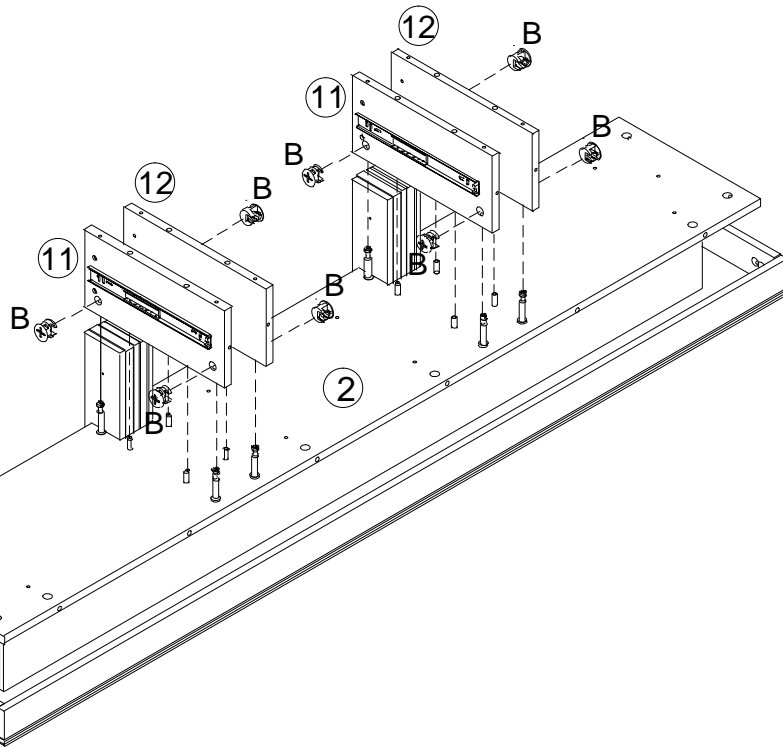


## Step 13



# Assembly Instructions

## Step 14

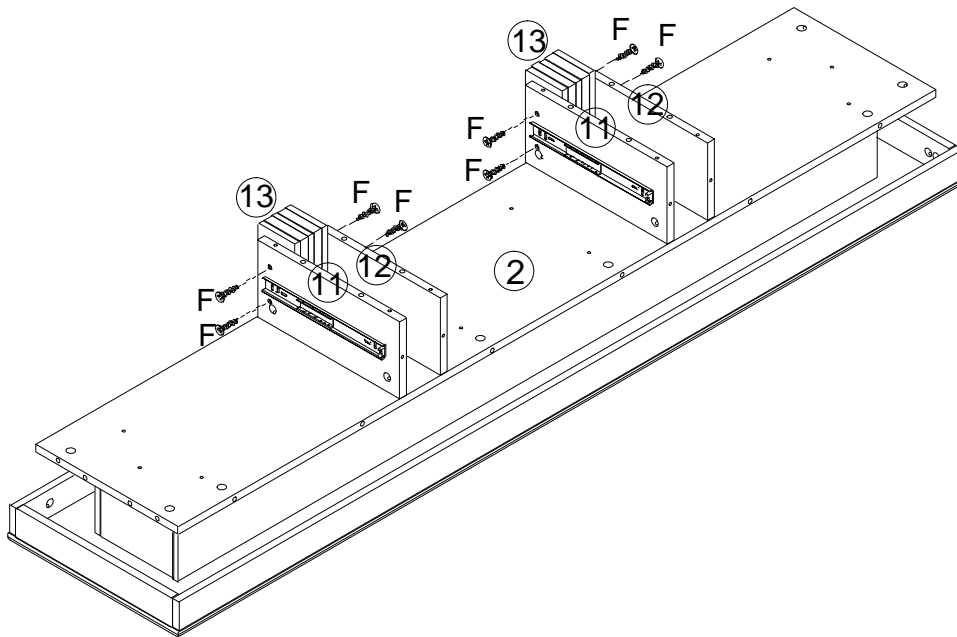


**Bx8**

Ø15\*12mm



## Step 15



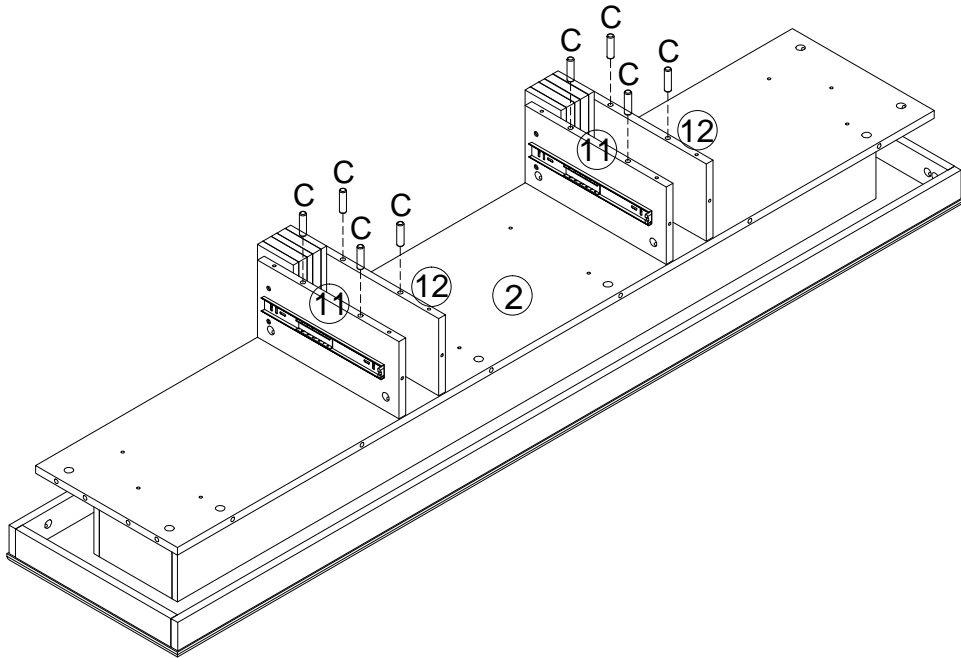
**Fx8**

Ø3.5\*20



# Assembly Instructions

## Step 16

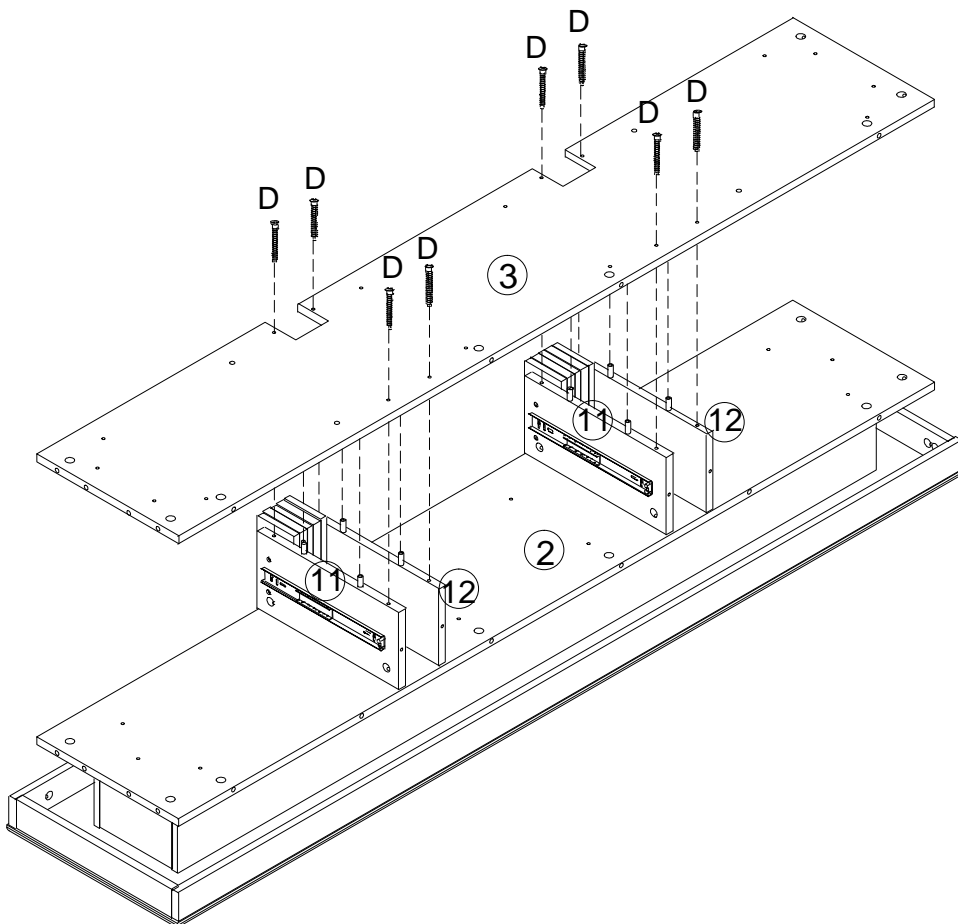


Cx8

Ø8\*30



## Step 17



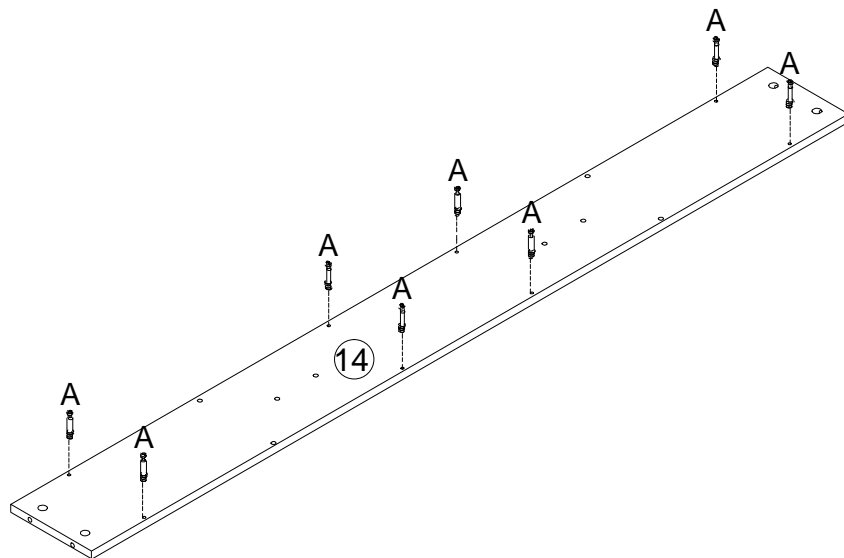
Dx8

7\*40

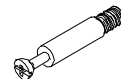


# Assembly Instructions

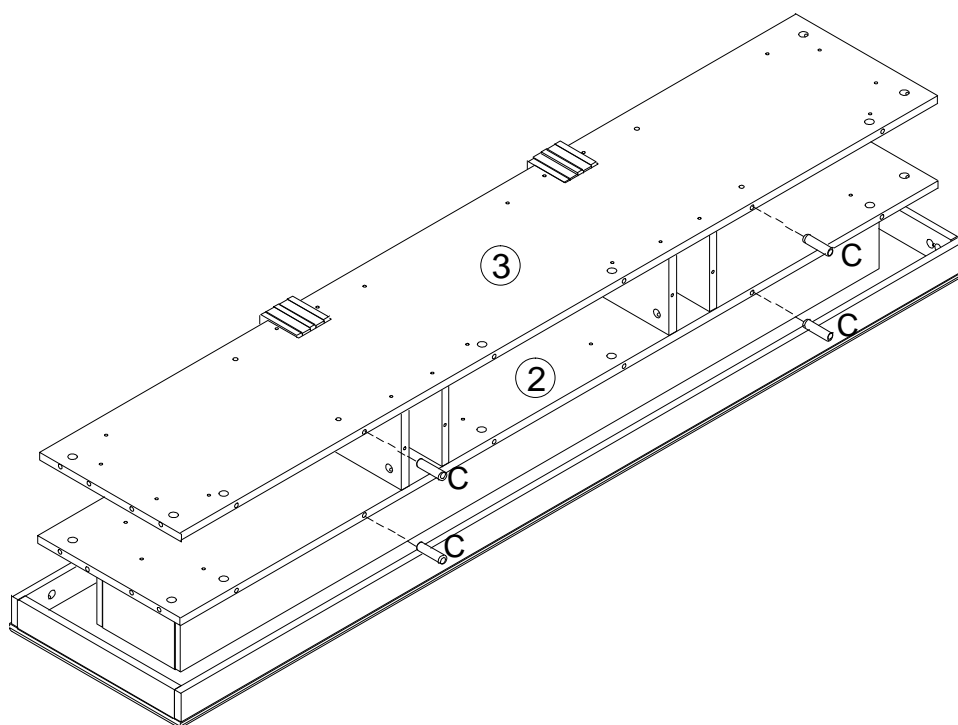
## Step 18



Ax8  
M6\*35



## Step 19



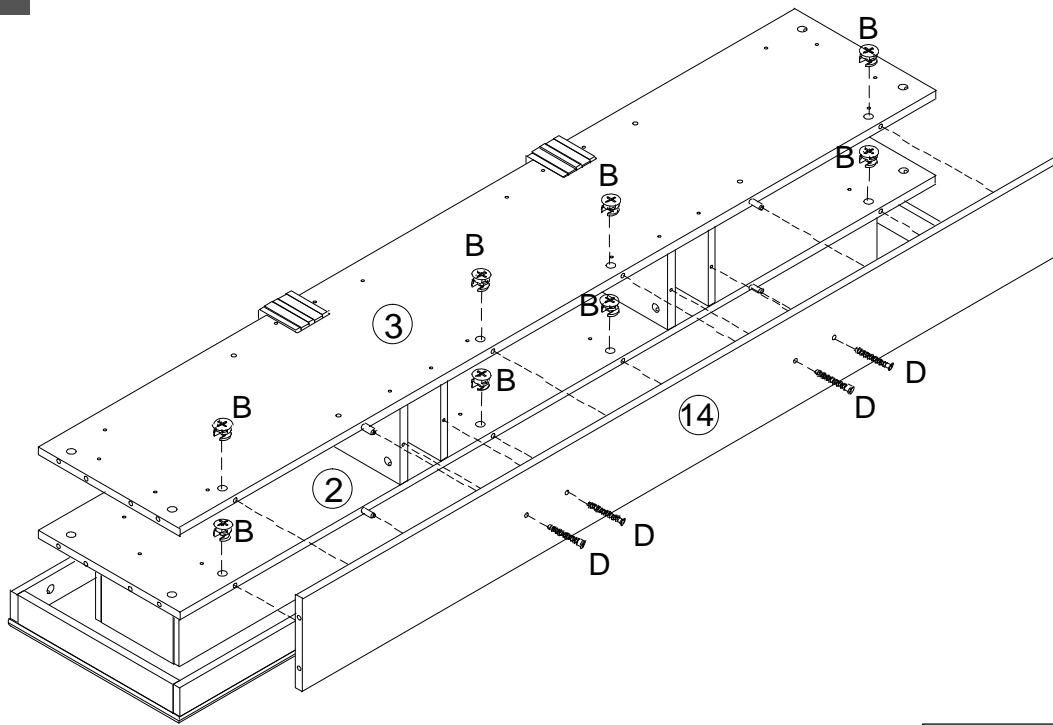
Cx4  
Ø8\*30







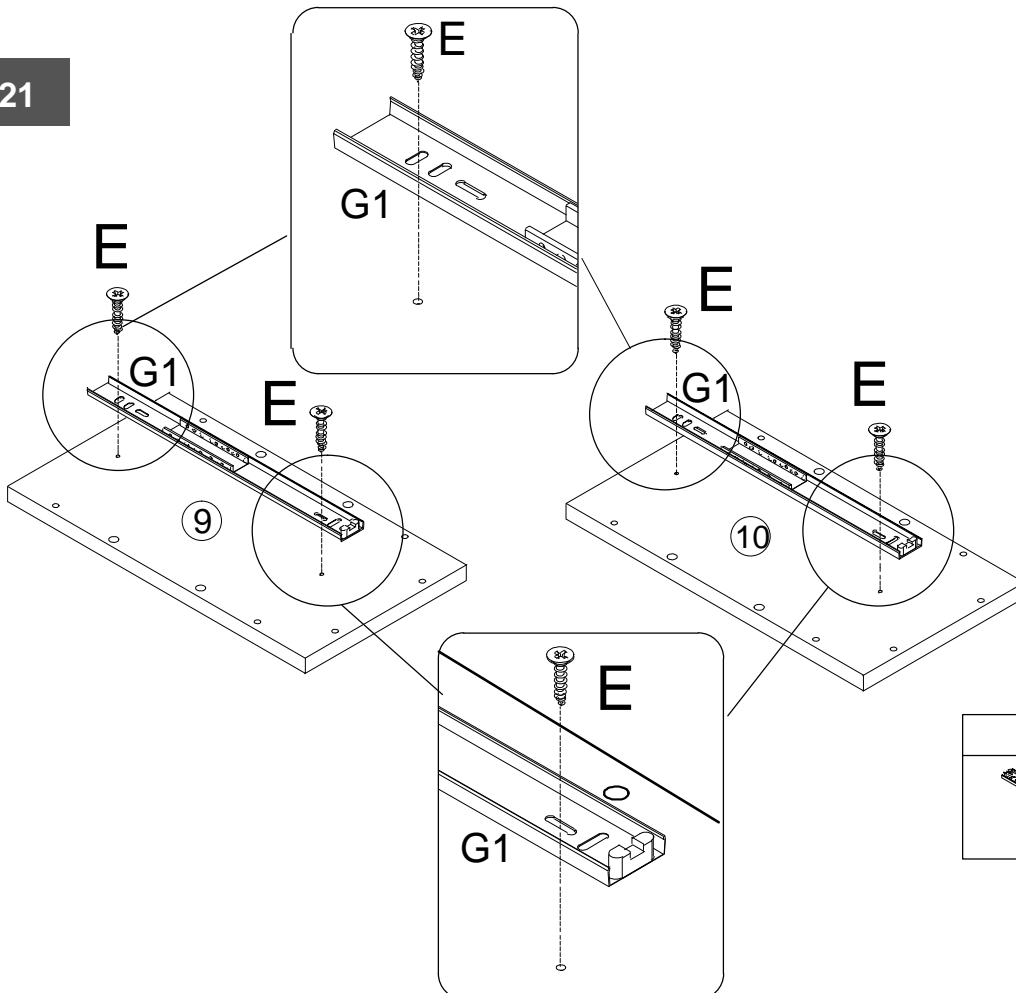
# Assembly Instructions


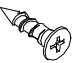
## Step 20



<b>Bx8</b> Ø15*12mm	<b>Dx4</b> 7*40
	

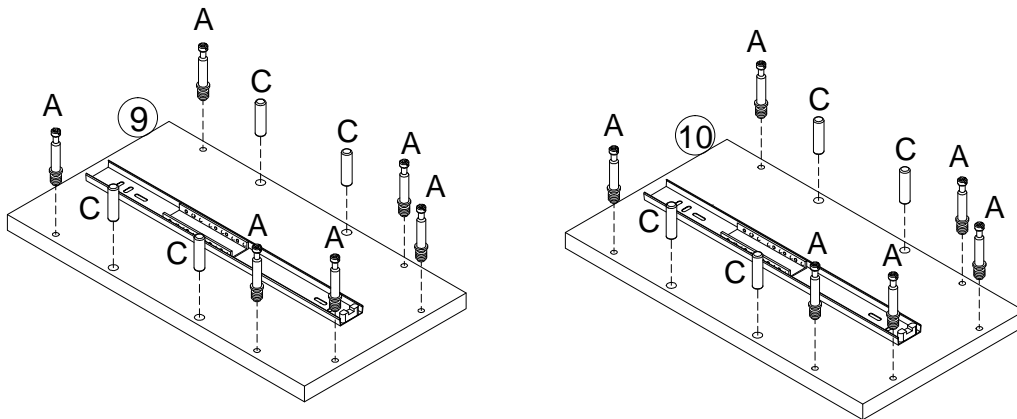
## Step 21

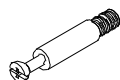



<b>G1x2</b>	<b>Ex4</b> Ø3*14
	

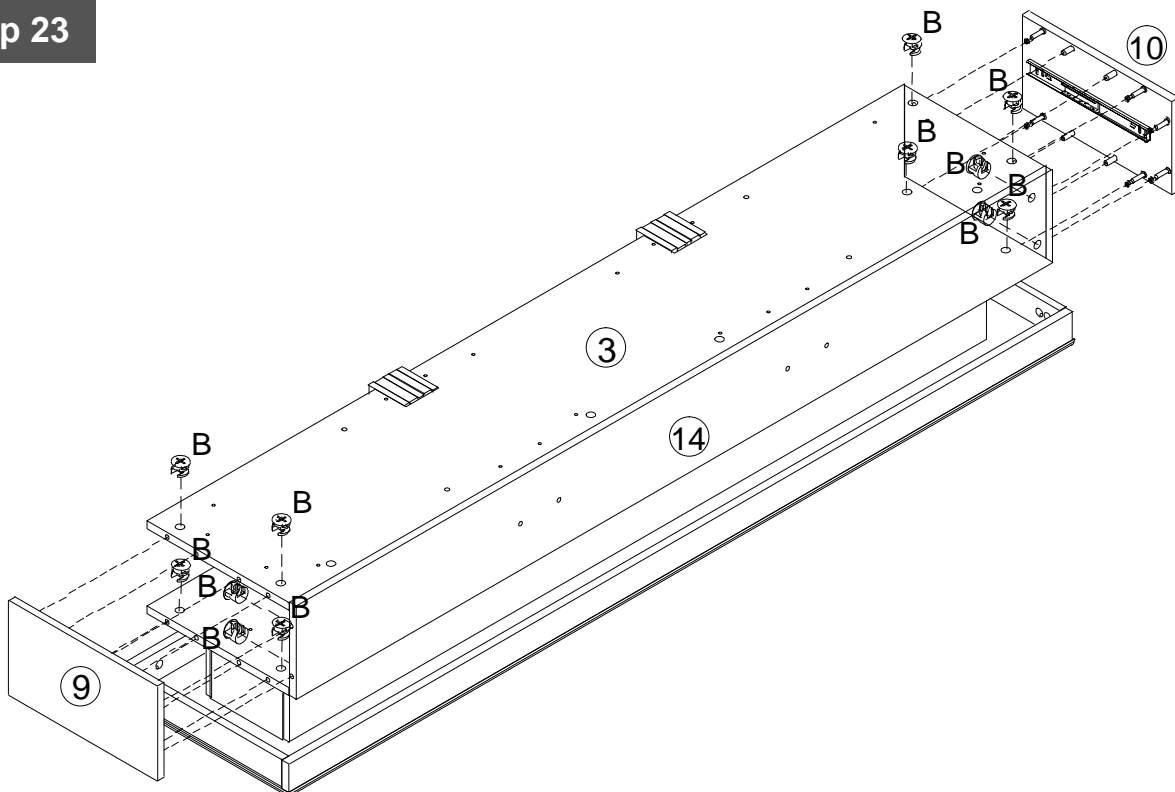
# Assembly Instructions


## Step 22



<b>Ax12</b> M6*35	<b>Cx8</b> Ø8*30
	

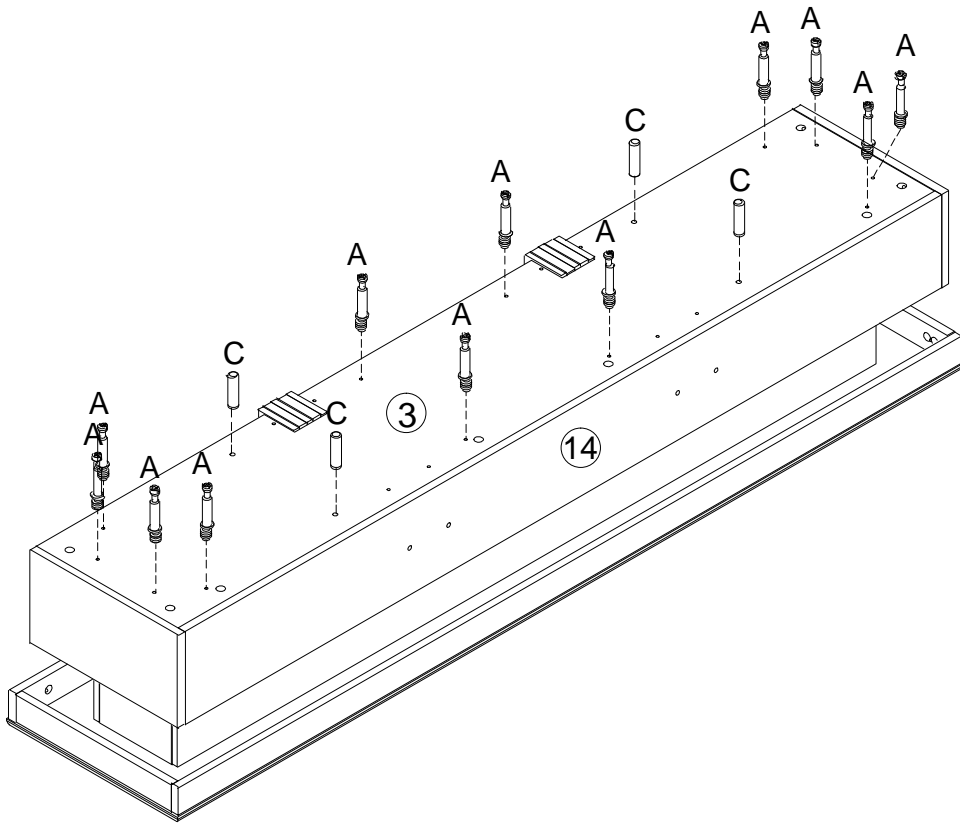
## Step 23





<b>Bx12</b> Ø15*12mm


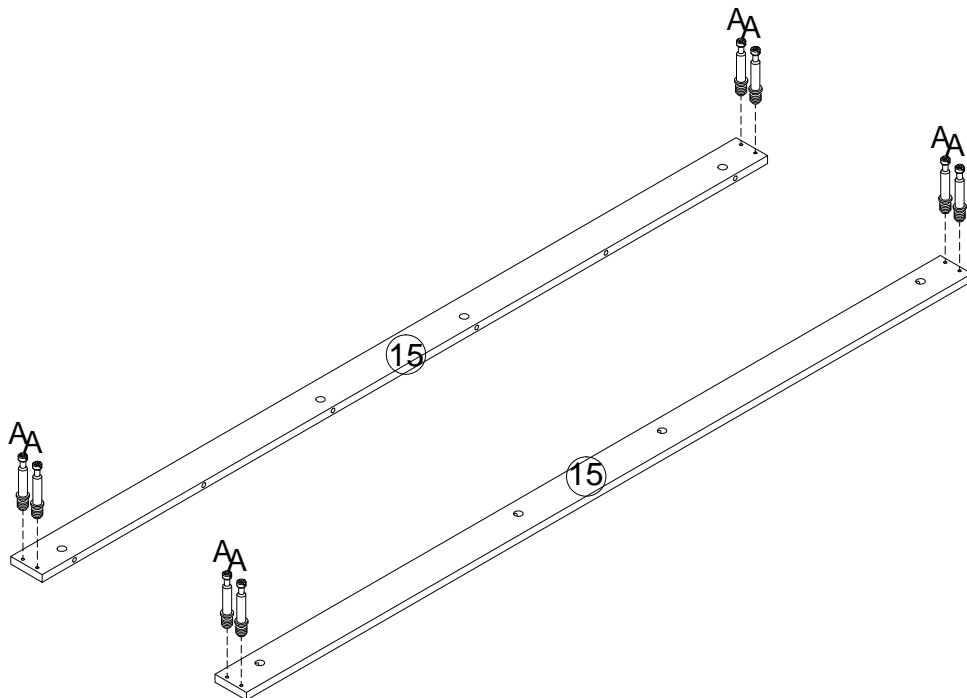
# Assembly Instructions


## Step 24



<b>Ax12</b> M6*35	<b>Cx4</b> Ø8*30mm
	

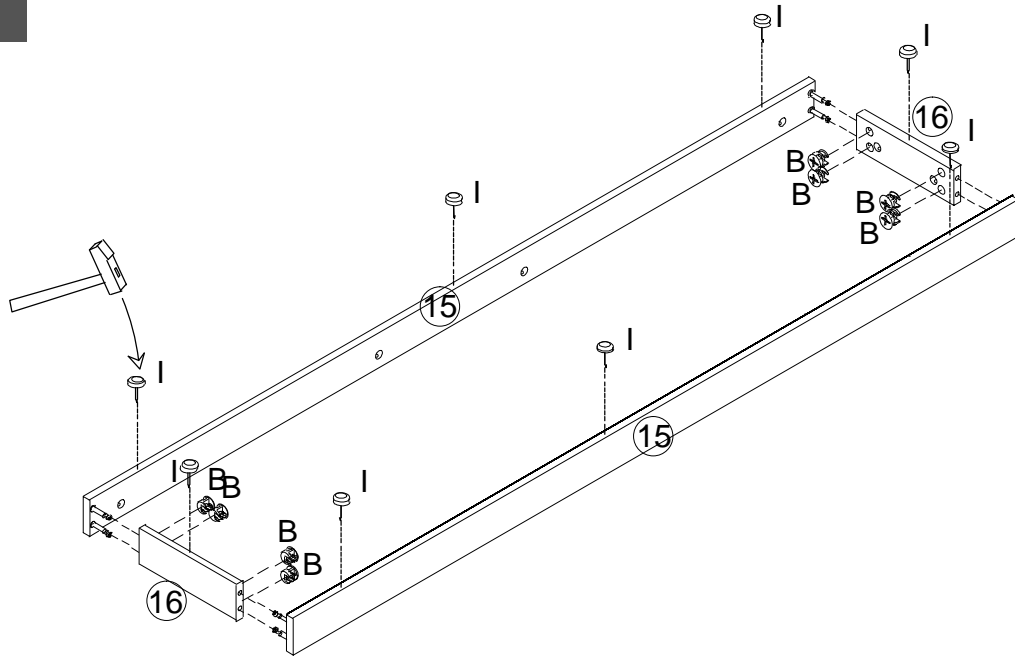
## Step 25





<b>Ax8</b> M6*35


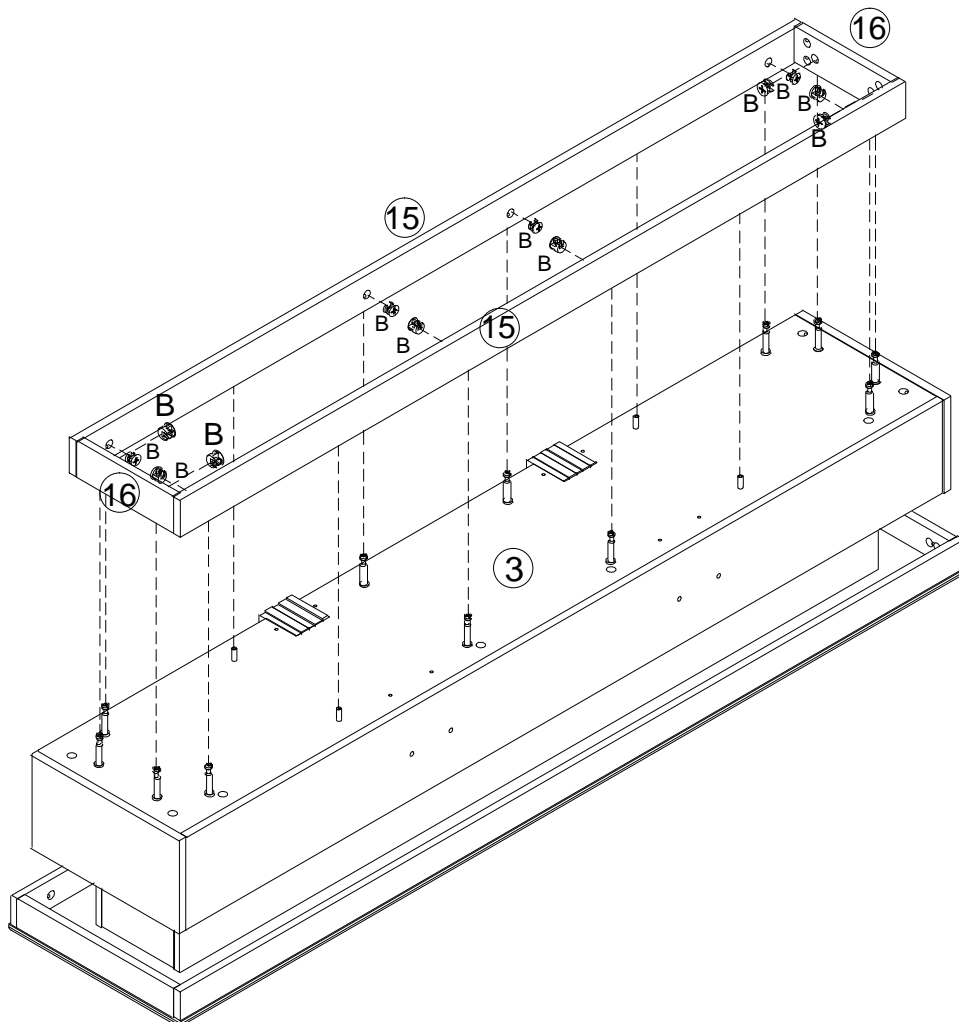
# Assembly Instructions


## Step 26



<b>Bx8</b> Ø15*12mm	<b>Ix8</b> Ø14.5*8mm
	

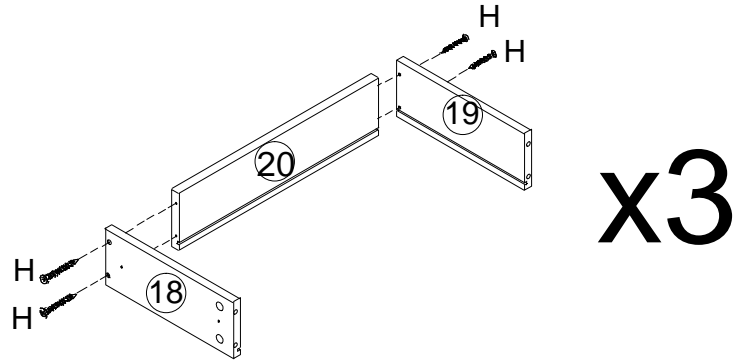
## Step 27



<b>Bx12</b> Ø15*12mm


# Assembly Instructions

## Step 28

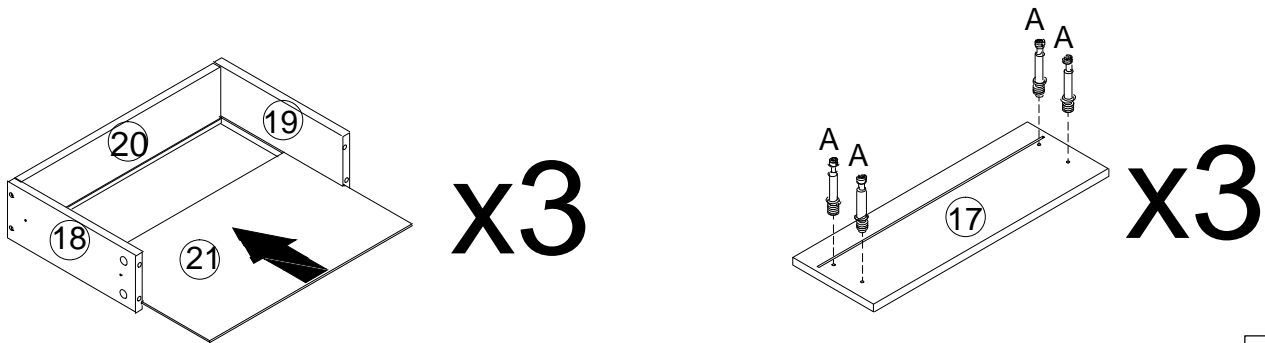


Hx12

Ø4\*35mm

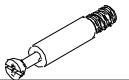


## Step 29

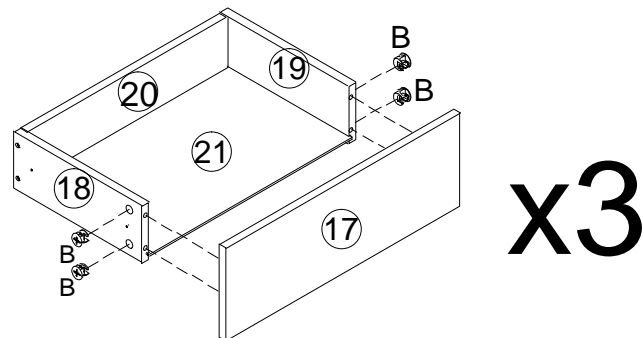


Ax12

M6\*35



## Step 30



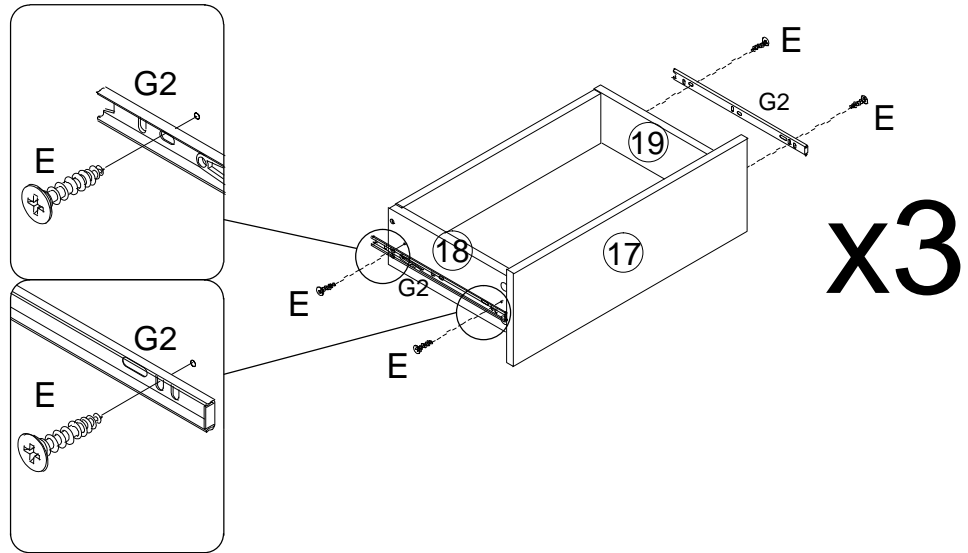
Bx12



Ø15\*12mm



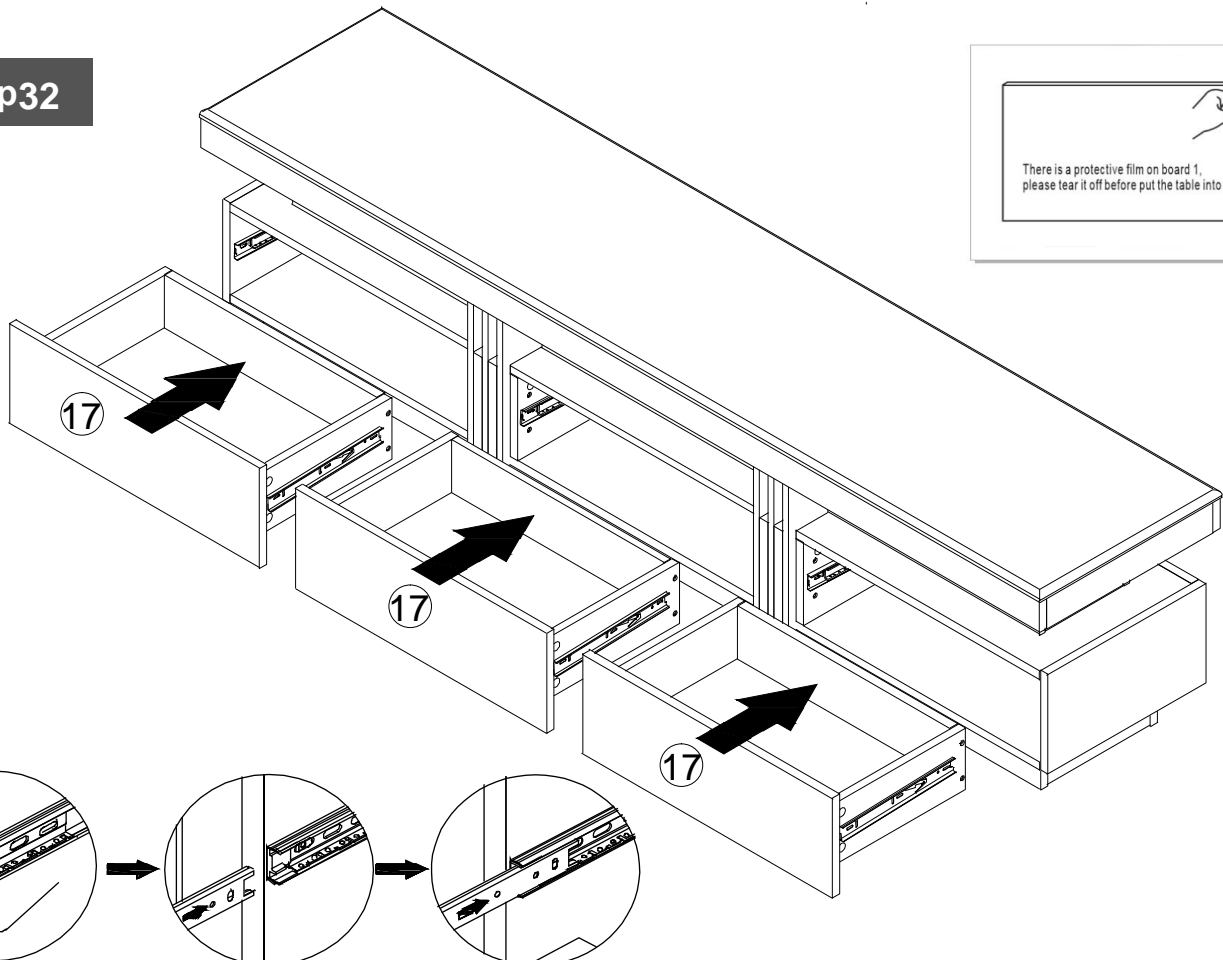
# Assembly Instructions

## Step 31



G2x6	E x12 Ø3*14mm
	

## Step 32



# Assembly Instructions

## Step 33

