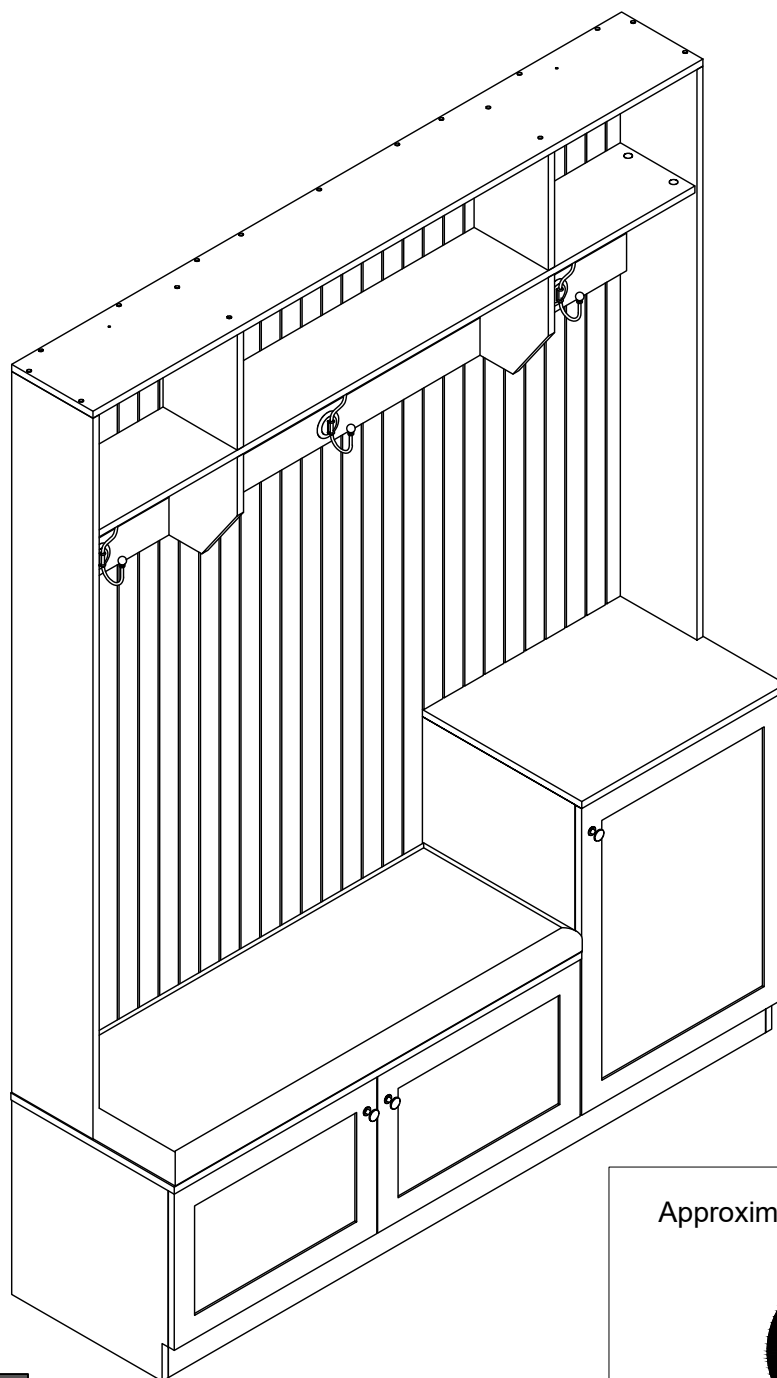


# ASSEMBLY INSRTRUCTION

## Hall Tree



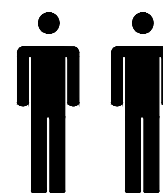
### Dimensions

Width-59.05inch  
Depth-15.74inch  
Height-77.95inch

Approximate Assembly Time



People Required to Assemble





# Safety and Care Advice

**Important – Please read these instructions fully before starting assembly**

- Check you have all the components and tools listed on the following pages.
- Remove all fittings from the plastic bags and separate them into their groups.
- Keep children and animals away from the work area, small parts could choke if swallowed.
- Make sure you have enough space to layout the parts before starting.

- During assembly do not stand or put weight on the product, this could cause damage.
- Assemble the item as close to its final position (in the same room) as possible.
- Assemble on a soft level surface to avoid damaging the unit or your floor.
- Parts of the assembly will be easier with 2 people.



- To reduce the likelihood of damaging your product please ensure that your power drill is set on a low torque setting.

## Care and maintenance

- Only clean using a damp cloth and mild detergent, do not use bleach or abrasive cleaners.
- From time to time check that there are no loose screws on this unit.
- This product should not be discarded with household waste. Take to your local authority waste disposal centre.

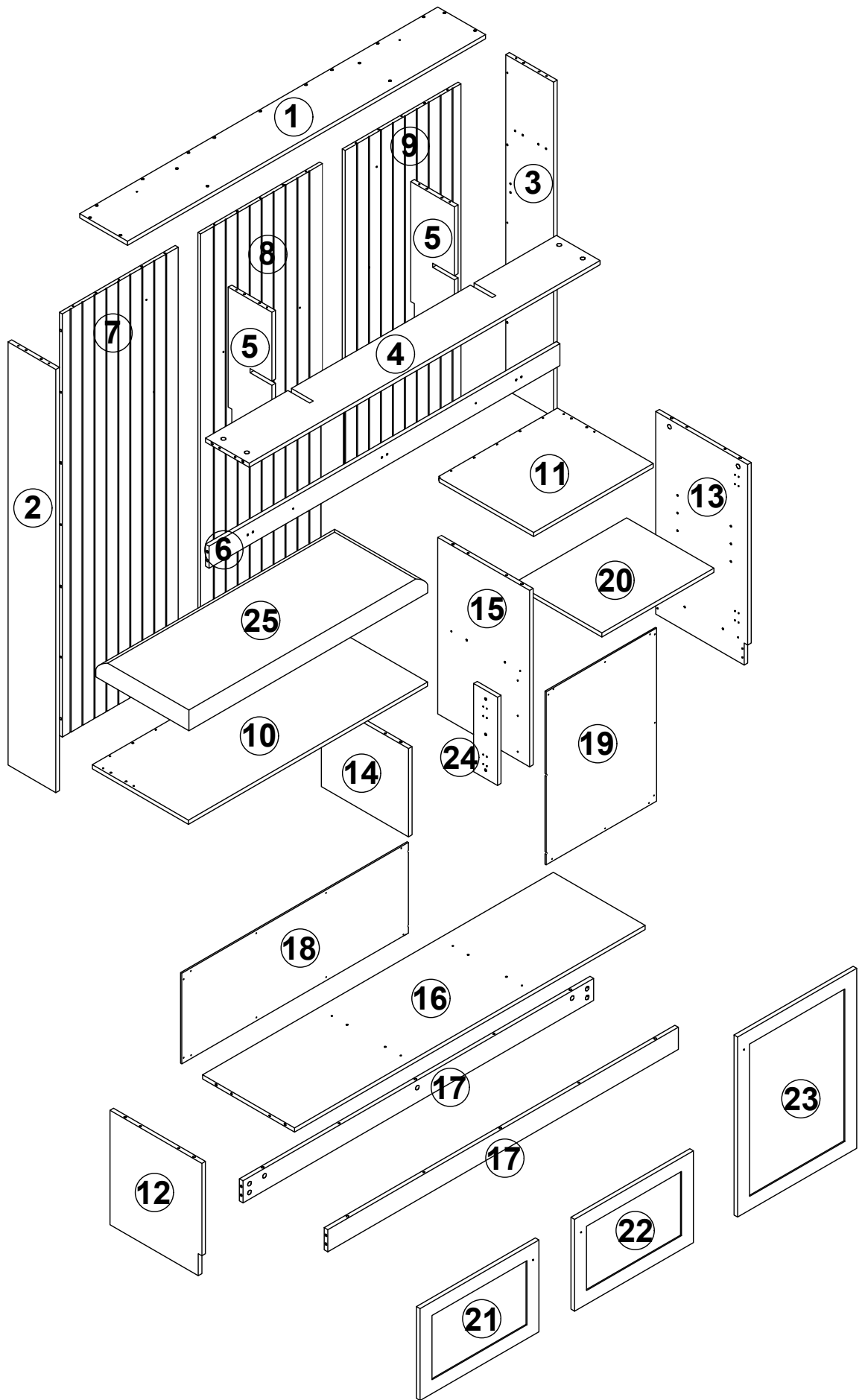
## Handy Hints

- Assemble all parts and bolts loosely during assembly, only once the product is complete should you fully tighten the bolts
- Regularly check and ensure That all bolts and fittings are tightend properly.

## **WARNING** In order to help prevent overturning – please follow these instructions

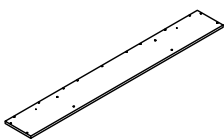
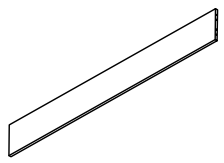
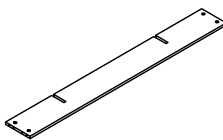
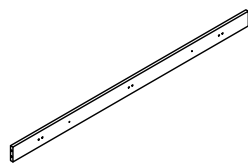

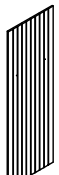
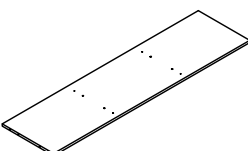
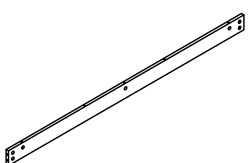
To help prevent product toppling over please follow the below steps:-

- Use the anti tip stap or wall fixing method provided (if applicable)
- Do not allow children to climb or hang on the furniture
- Do not open more than one drawer at a time
- Do not place heavy items in the top drawers
- Do not place heavy items on top of the furniture, unless the furniture has been designed for this purpose

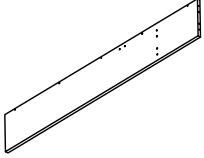
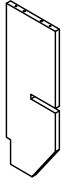
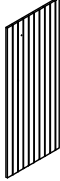
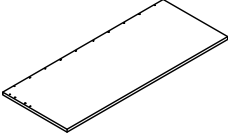
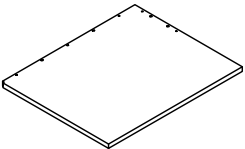
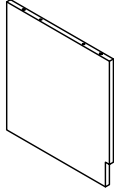

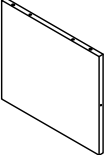

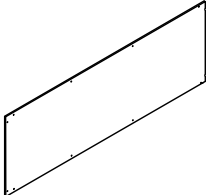

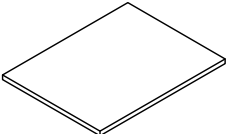
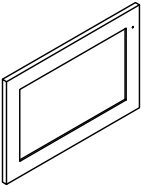
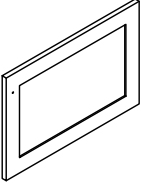
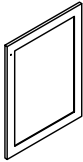
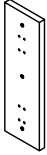
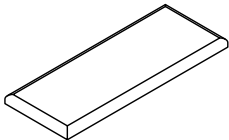


# There are 2 boxes of this product

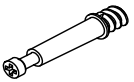

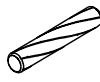
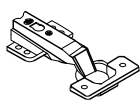
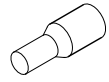
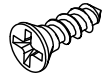
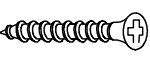
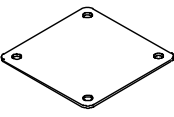
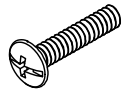

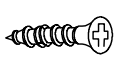

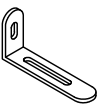

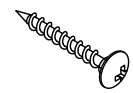
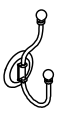


Box 1 :WF311318

			
① x 1	② x 1	④ x 1	⑥ x 1
			
⑦ x 1	⑧ x 1	①⑥ x 1	①⑦ x 2

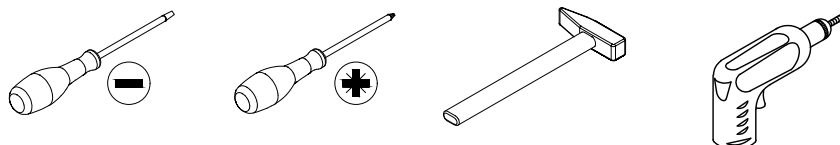
Box 2 :WF311319

			
③ x 1	⑤ x 2	⑨ x 1	⑩ x 1
			
⑪ x 1	⑫ x 1	⑬ x 1	⑭ x 1
			
⑮ x 1	⑱ x 1	⑲ x 1	⑳ x 1
			
⑳ x 1	㉒ x 1	㉓ x 1	㉔ x 1
			
㉕ x 1			

Box 2 :WF311319

 <b>Φ6x35mm</b> <b>A x 43+2</b>	 <b>Φ15x10mm</b> <b>B x 43+2</b>	 <b>Φ6x30mm</b> <b>C x 55+2</b>	 <b>D x6</b>	 <b>Φ5x6x14mm</b> <b>E x4+1</b>	 <b>Φ4x14mm</b> <b>F x36+2</b>
 <b>Φ4x40mm</b> <b>G x38+2</b>	 <b>Hx4</b>	 <b>Φ4x18mm</b> <b>I x3</b>	 <b>J x3</b>	 <b>Φ4x25mm</b> <b>K x3+1</b>	 <b>Φ4x12mm</b> <b>L x18+2</b>
 <b>M x2</b>	 <b>Φ6x30mm</b> <b>N x2</b>	 <b>Φ4x20mm</b> <b>O x6+1</b>	 <b>P x3</b>	 <b>Φ4x10mm</b> <b>Q x6+1</b>	 <b>Φ4x14mm</b> <b>R x22+2</b>

**Tools required**



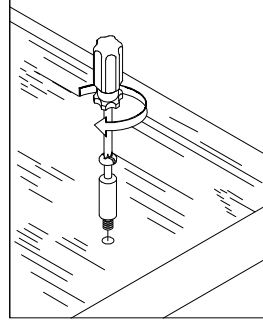
# Using Camlocks

## Step 1

Connect the male camlock as directed in the assembly instructions using a screwdriver.

1

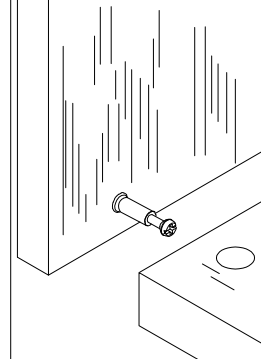
DO NOT OVER TIGHTEN.  
NE PAS SERRER EXCESSIVEMENT.



## Step 2

Push the male camlock into the entry hole.

2

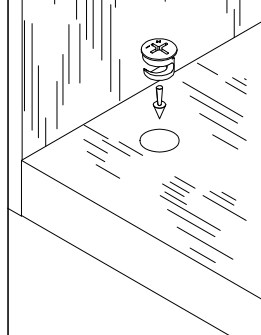


## Step 3

Insert the female camlock as shown in the instruction.

Note: ensure that the arrow on the top of the camlock points towards the entry hole for the male camlock.

3



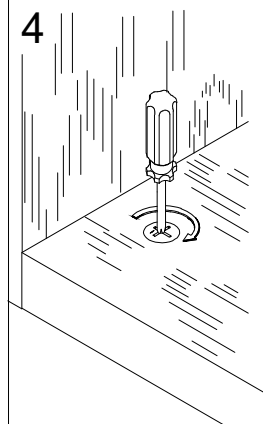
## Step 4

Turn the female camlock clockwise with a screwdriver.

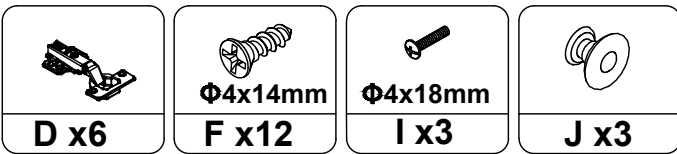
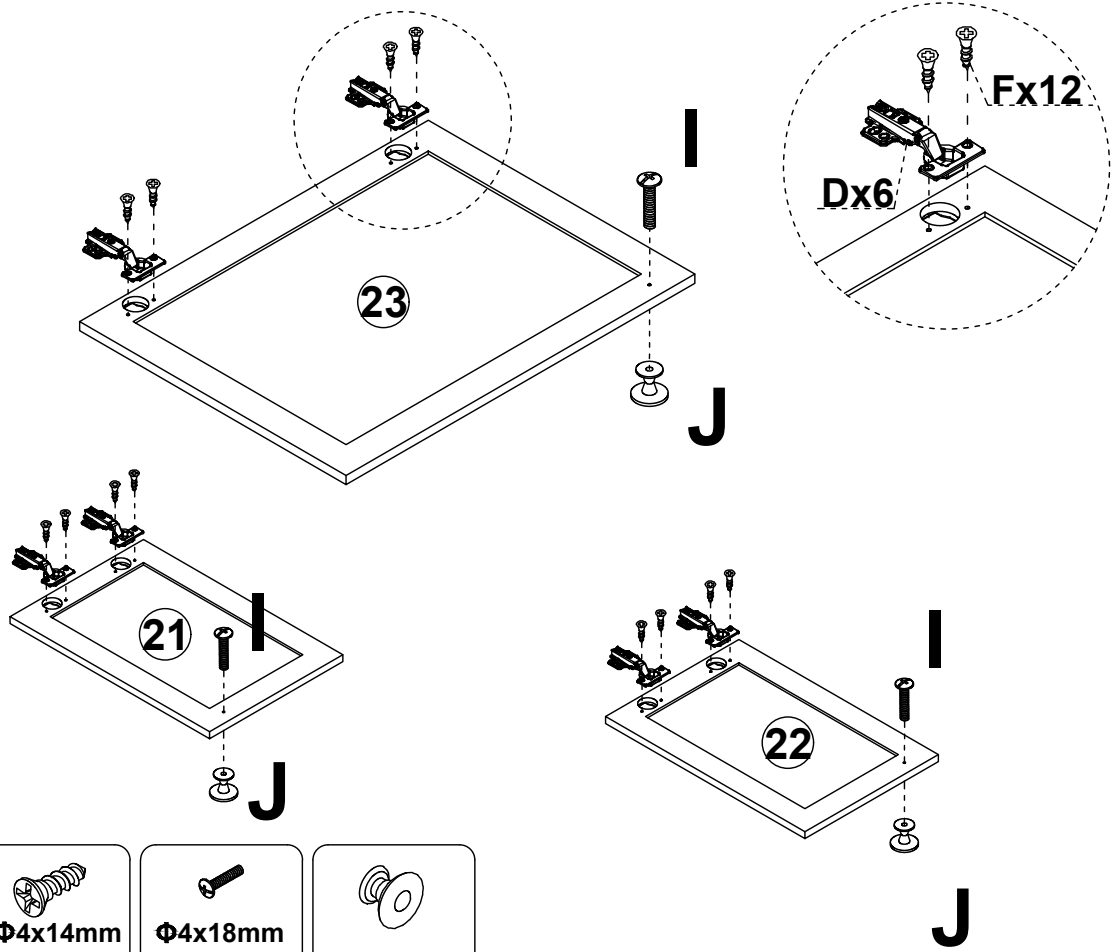
You should feel a click when the camlock is locked in place.

The joint is now secure.

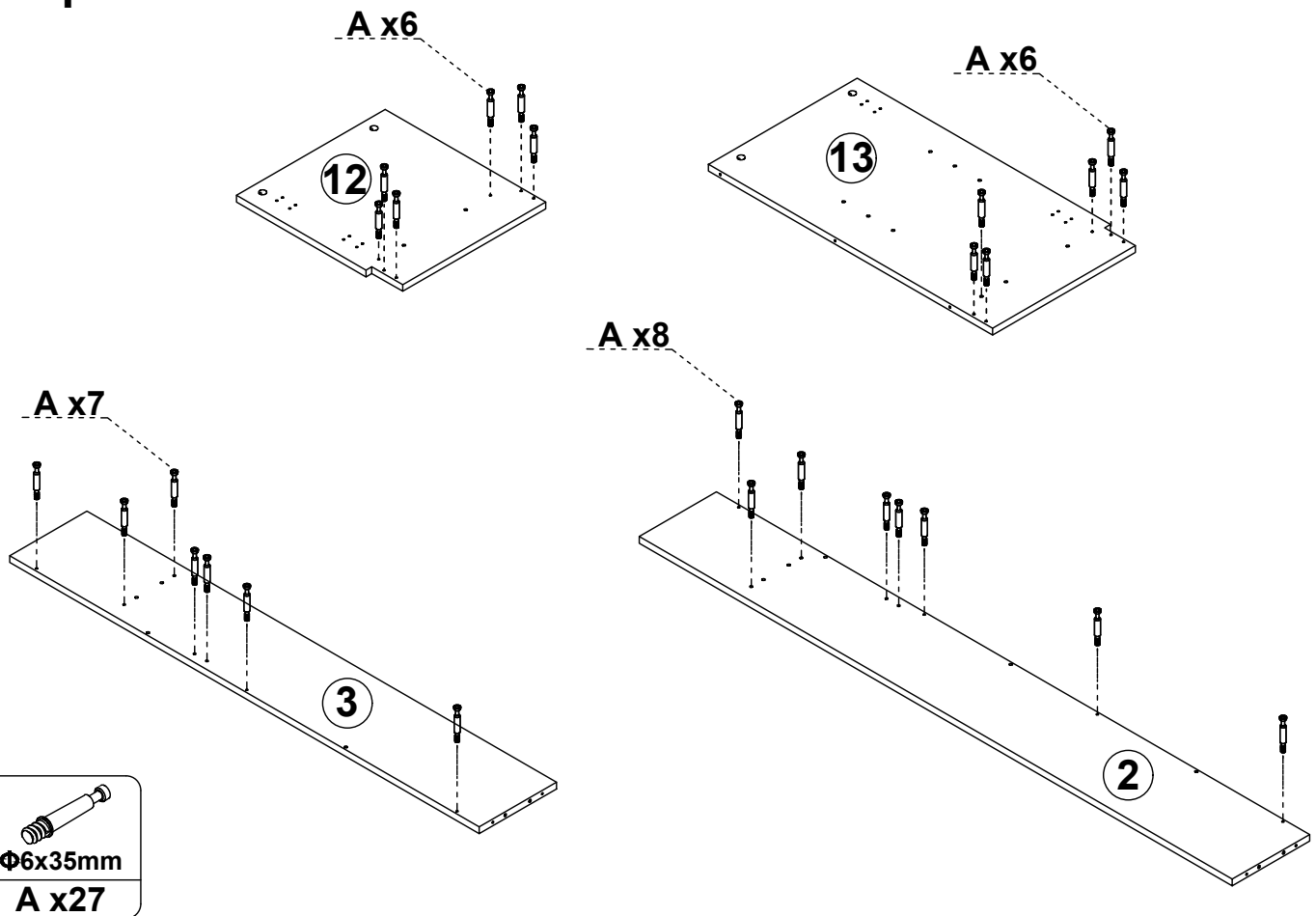
4



# Step 1

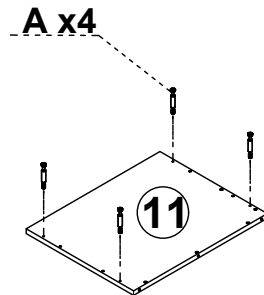
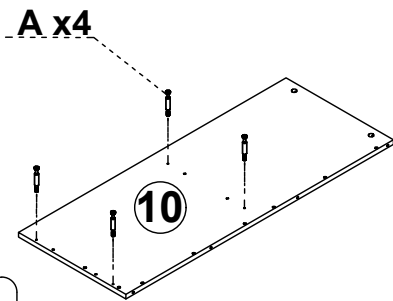
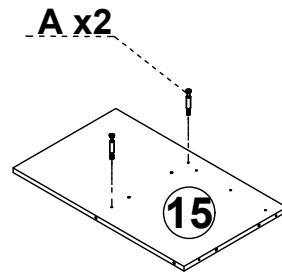
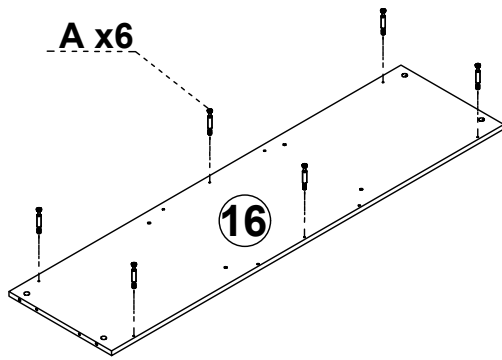


# Step 2

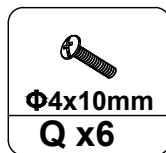
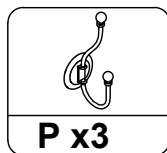
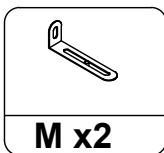
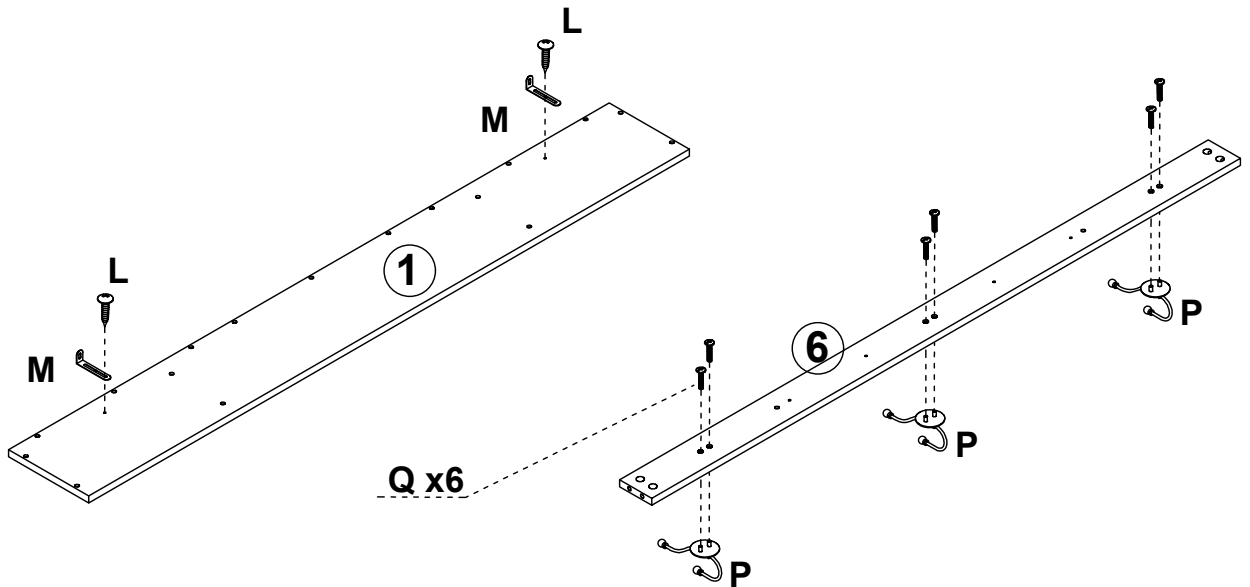




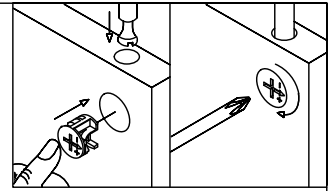
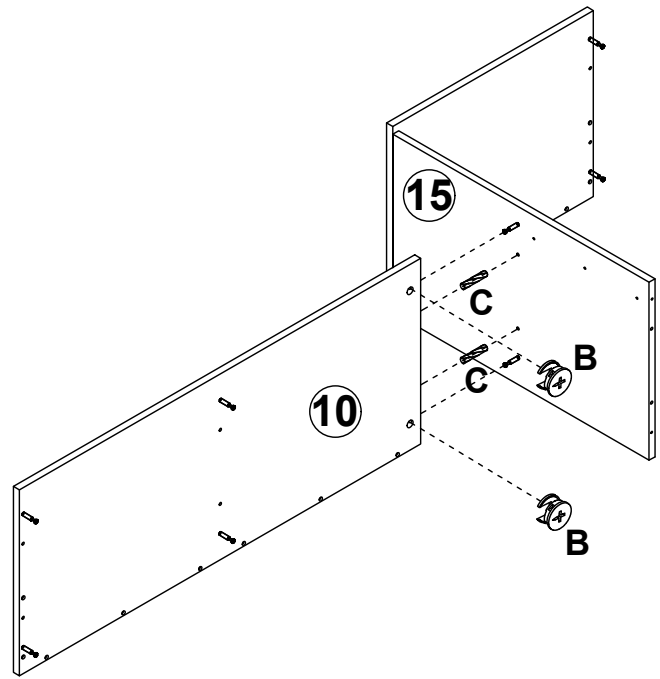
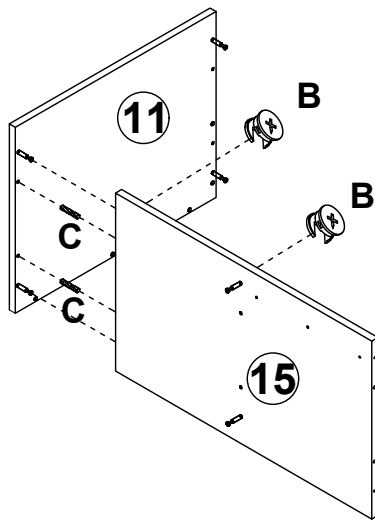
### Step 3



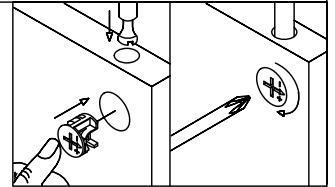
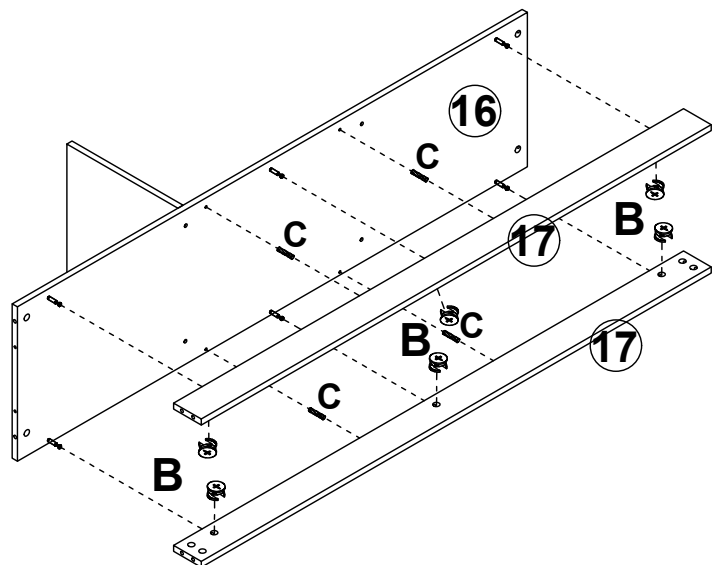
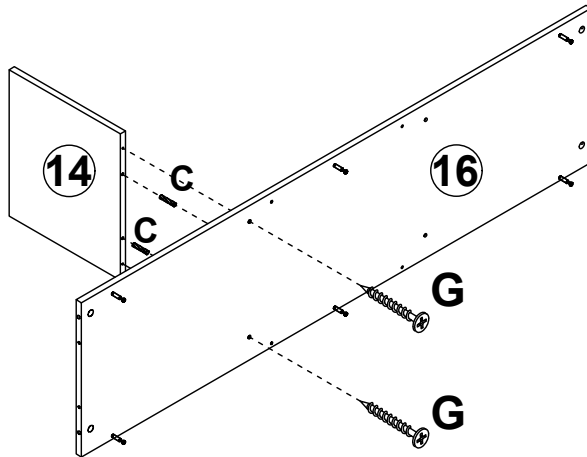
### Step 4



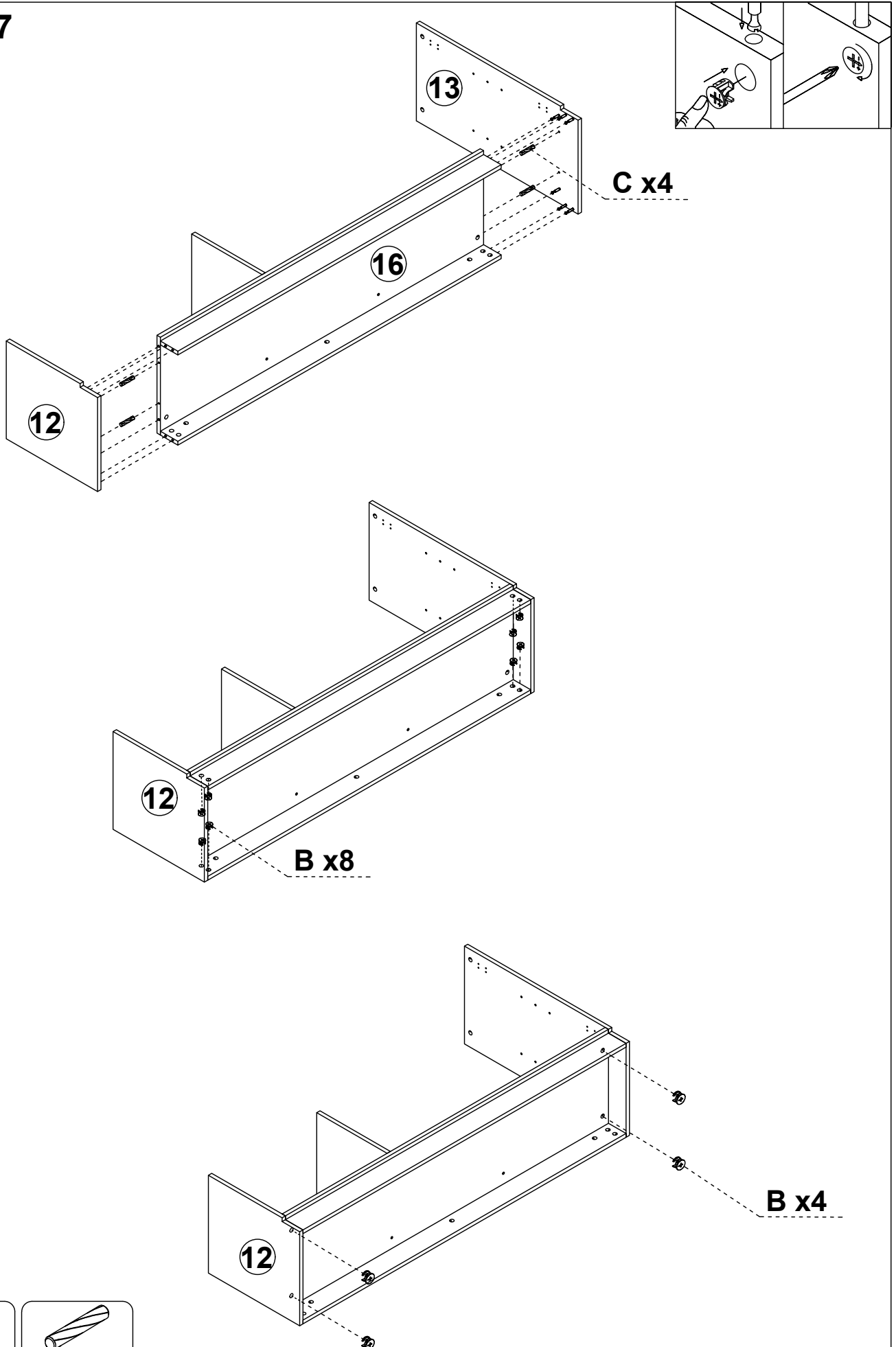
## Step 5



## Step 6



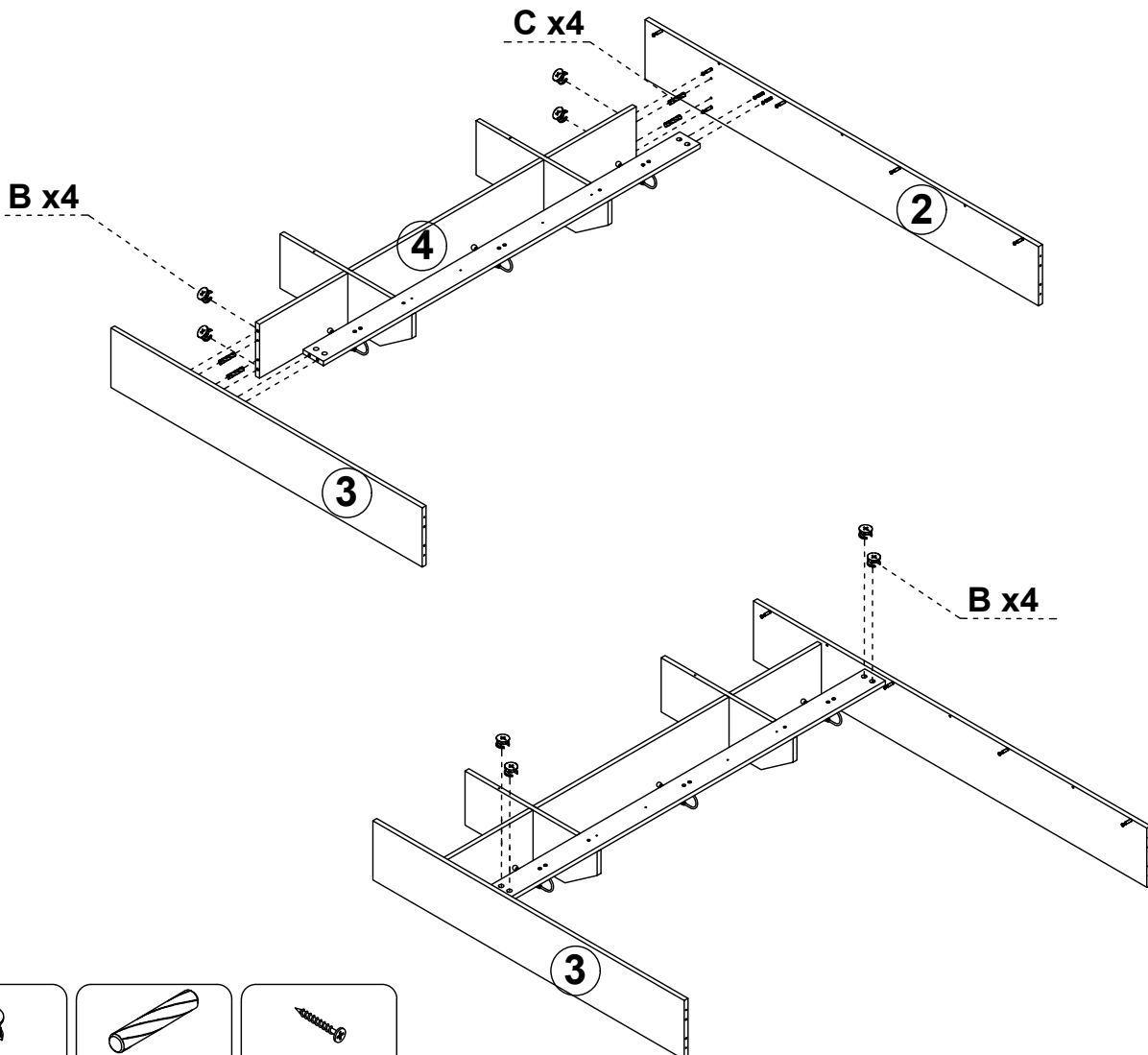
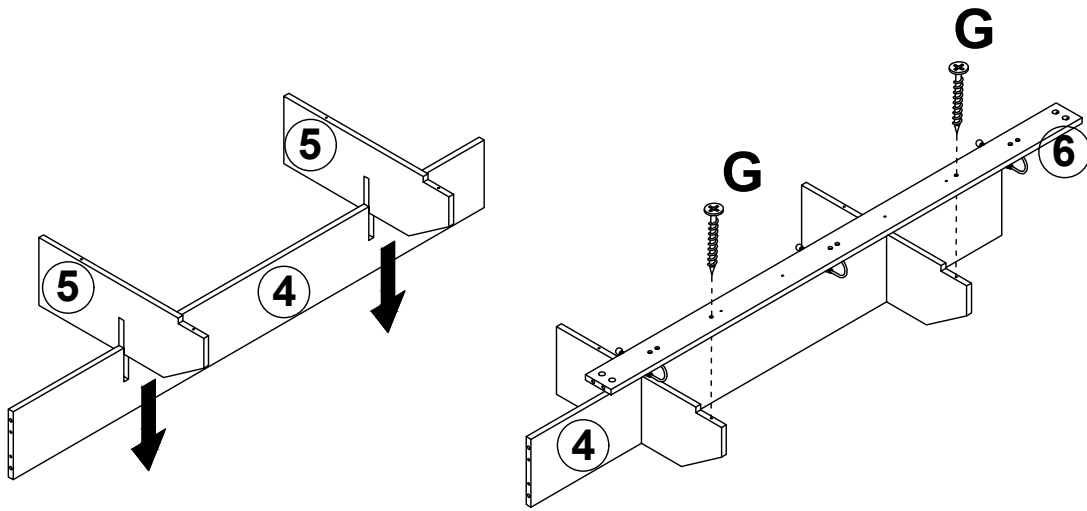
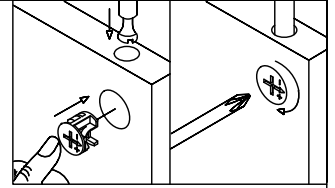
# Step 7



  
Φ15x10mm  
B x 12

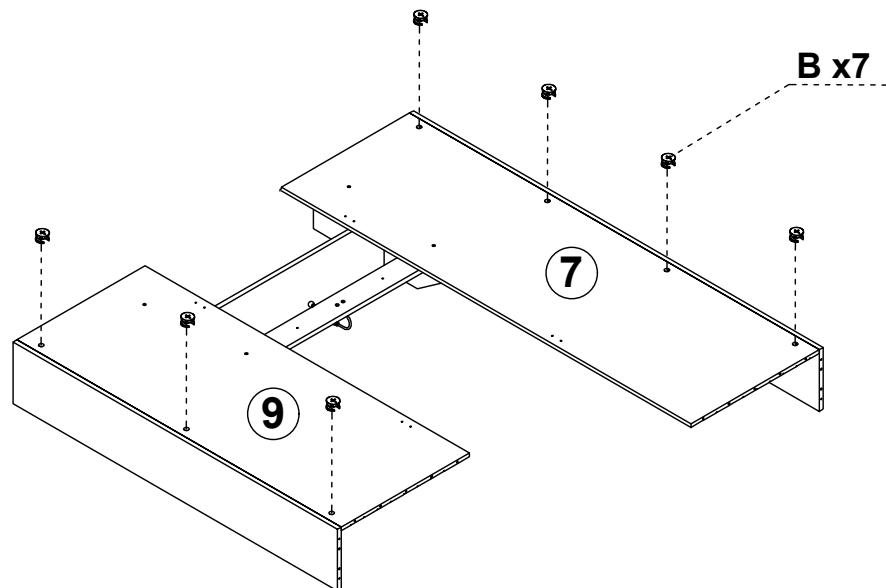
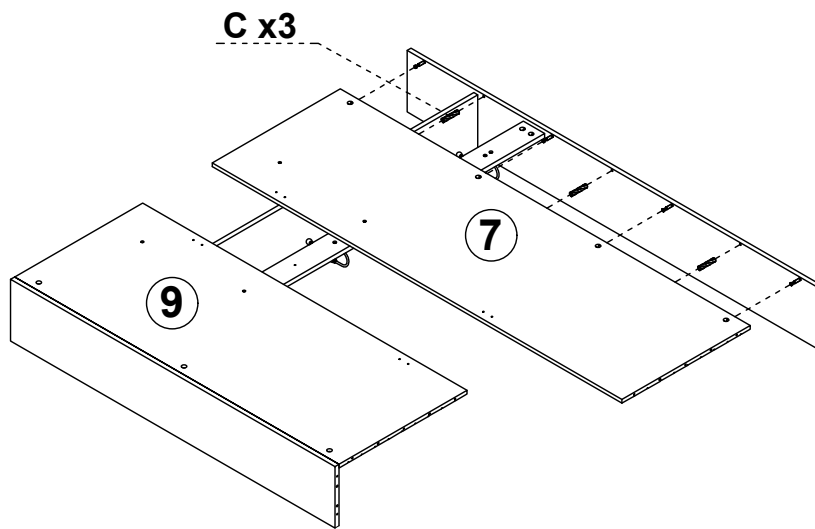
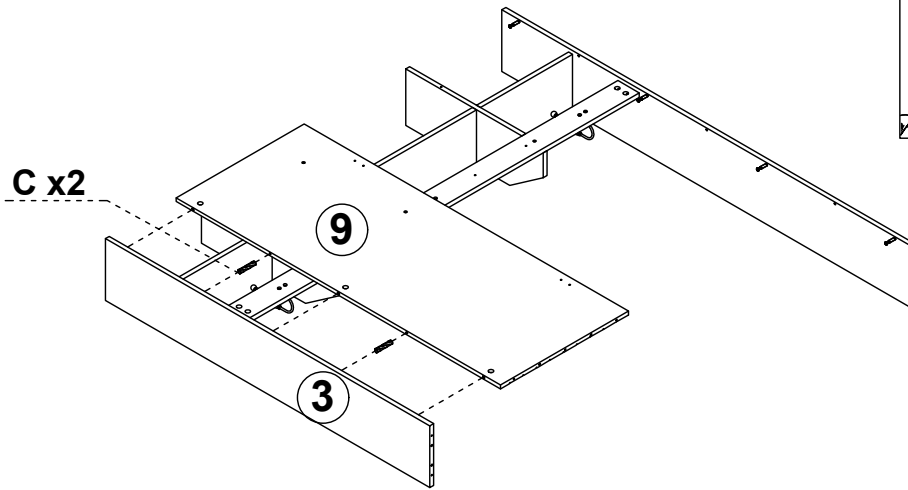
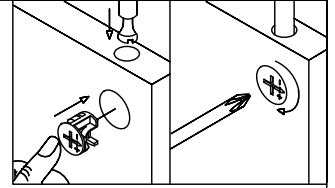
  
Φ6x30mm  
C x 4

# Step 8

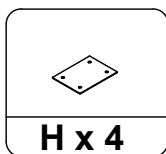
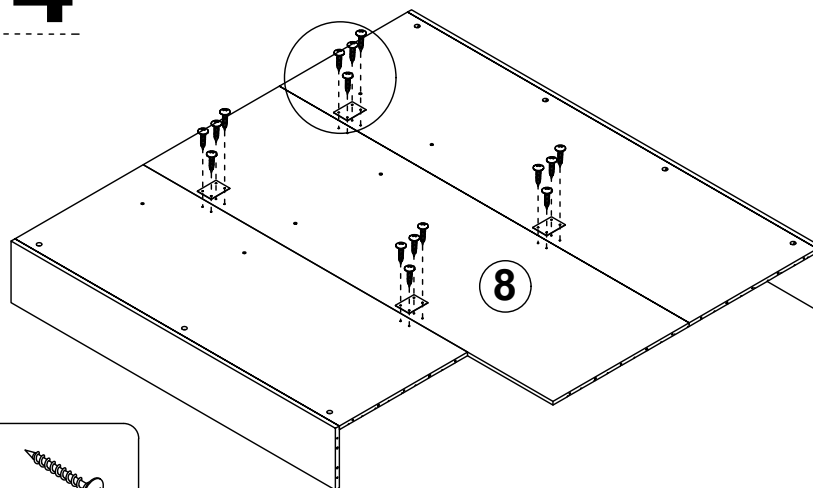
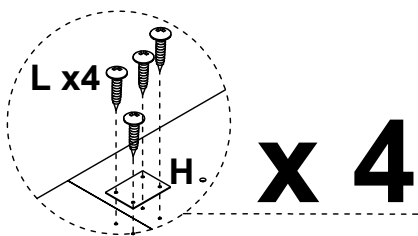
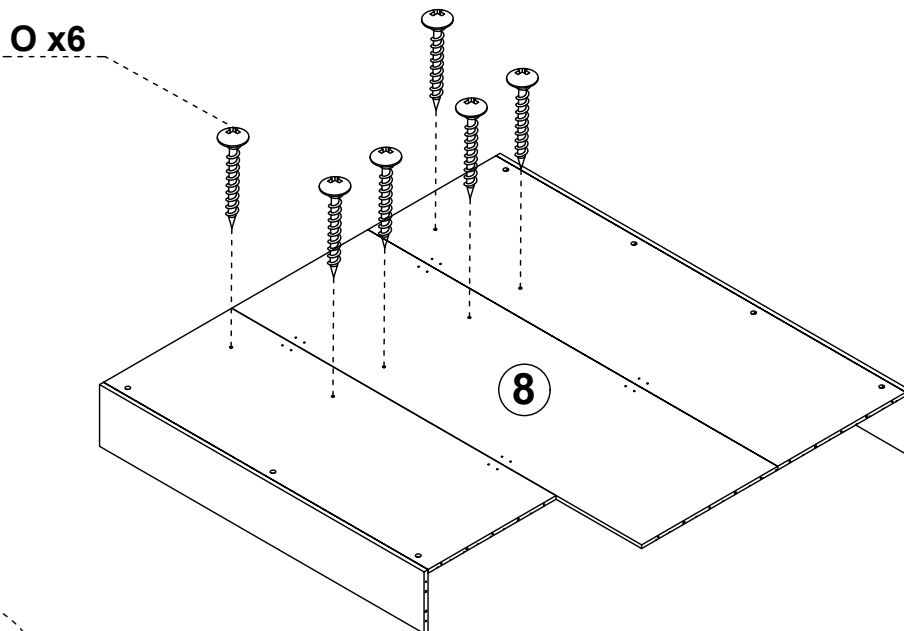
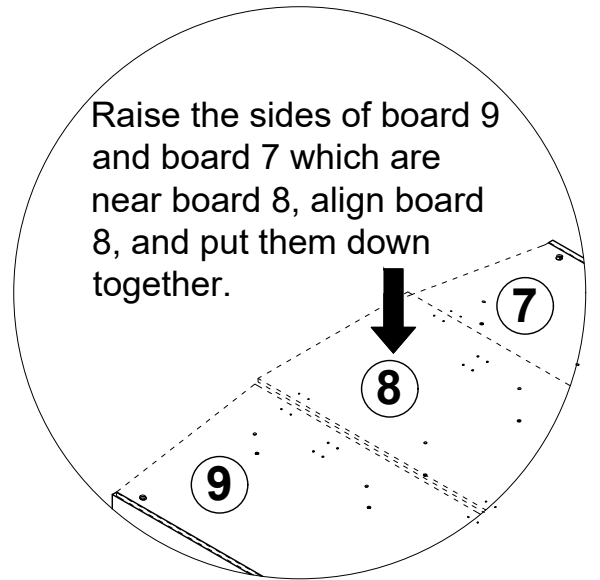
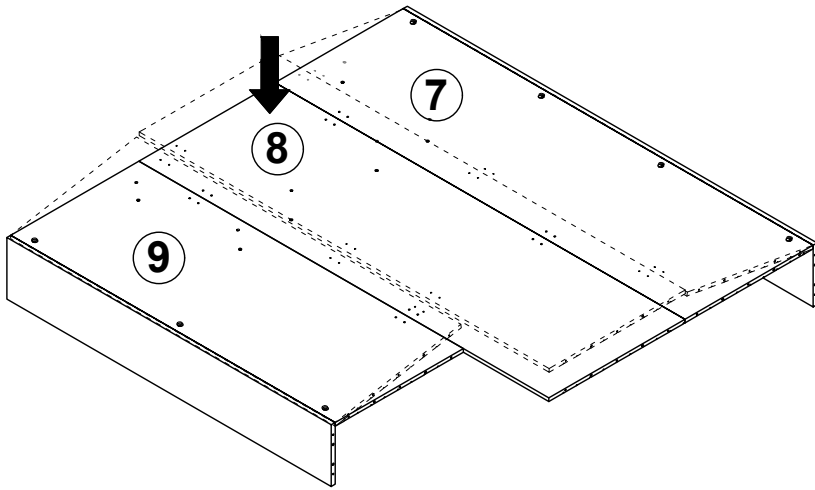


 $\Phi 15 \times 10 \text{mm}$ <b>B x 8</b>	 $\Phi 6 \times 30 \text{mm}$ <b>C x 4</b>	 $\Phi 4 \times 40 \text{mm}$ <b>G x 2</b>
--	---	---

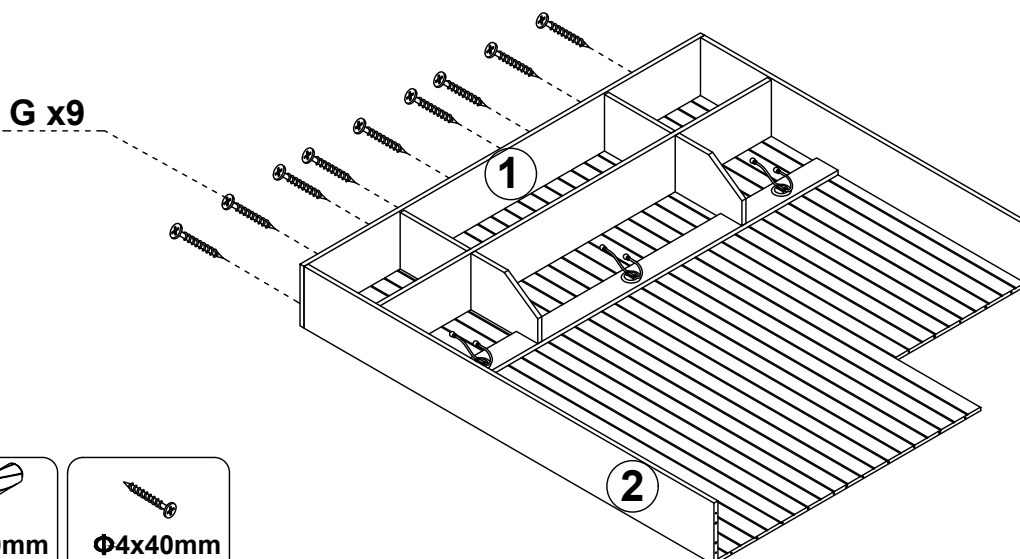
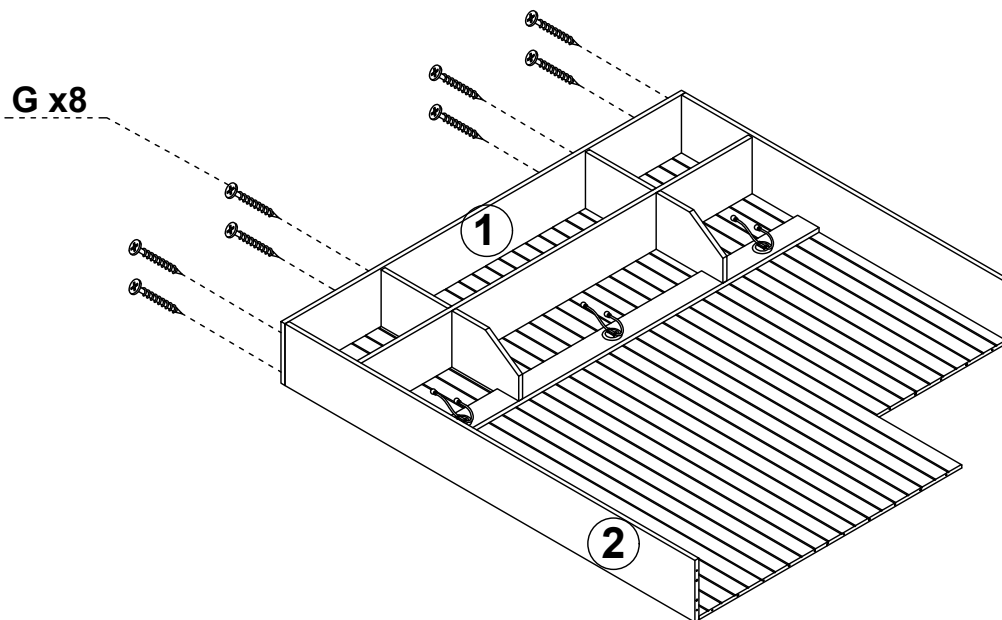
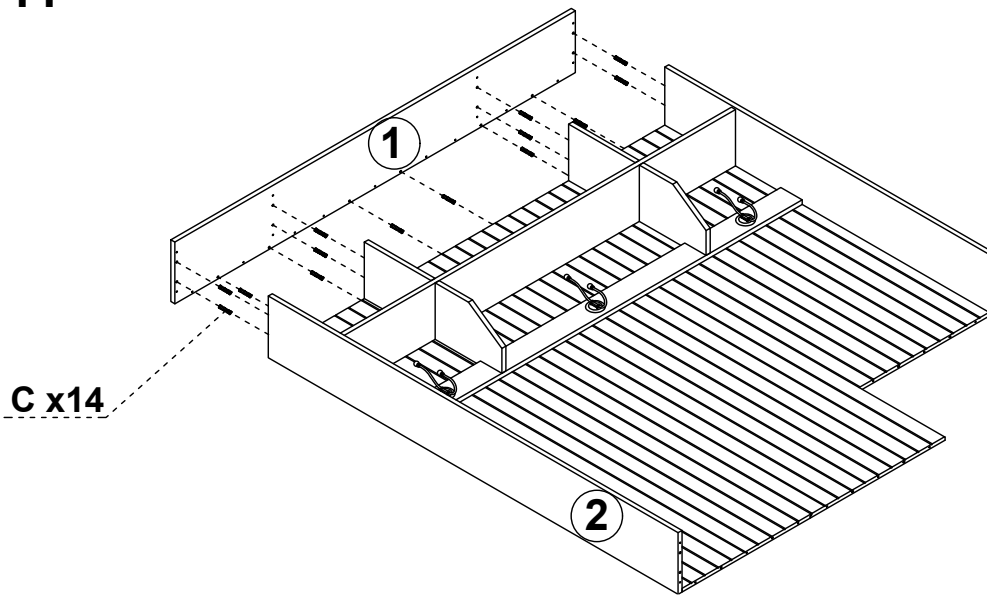
# Step 9



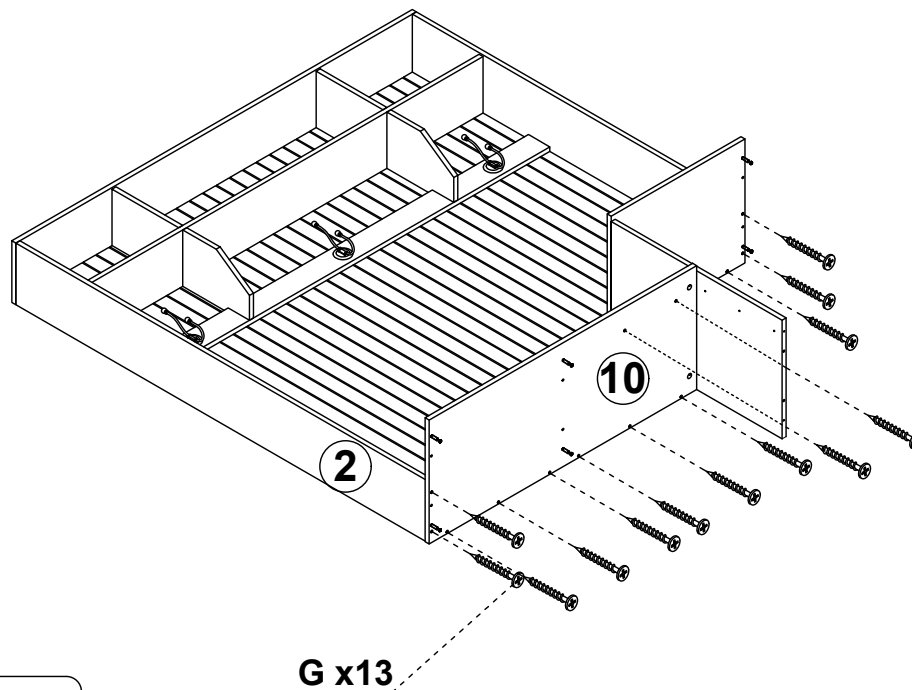
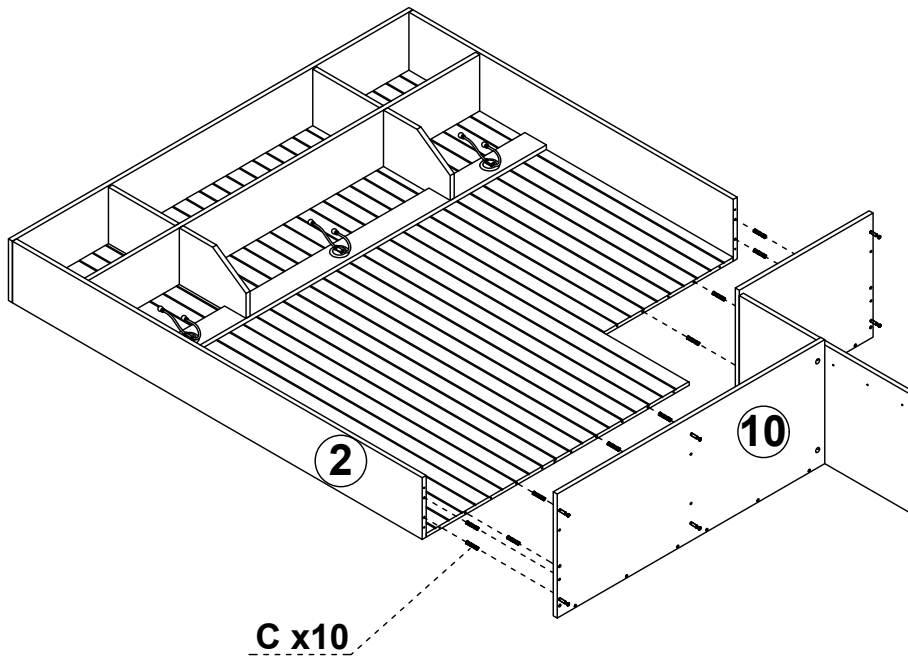
# Step 10



# Step 11

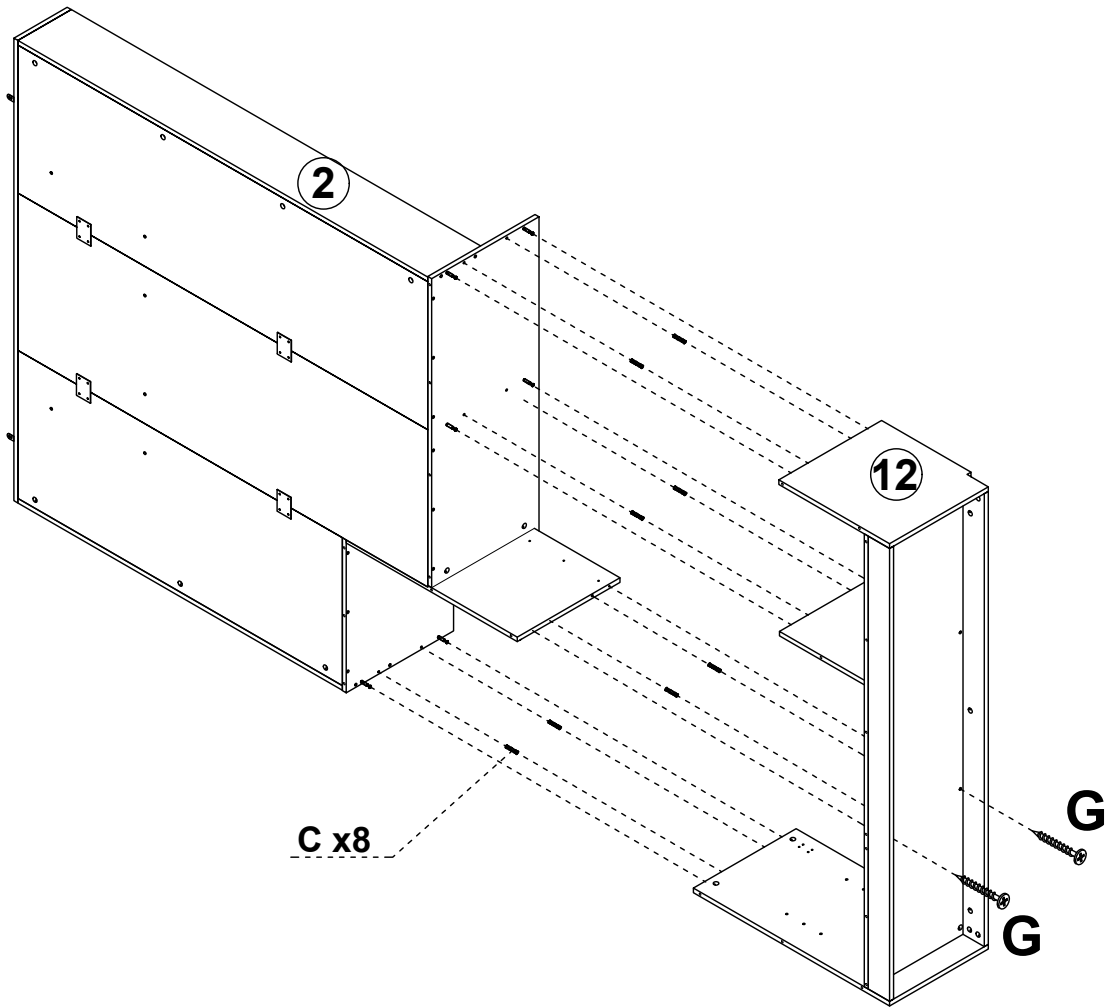


# Step 12

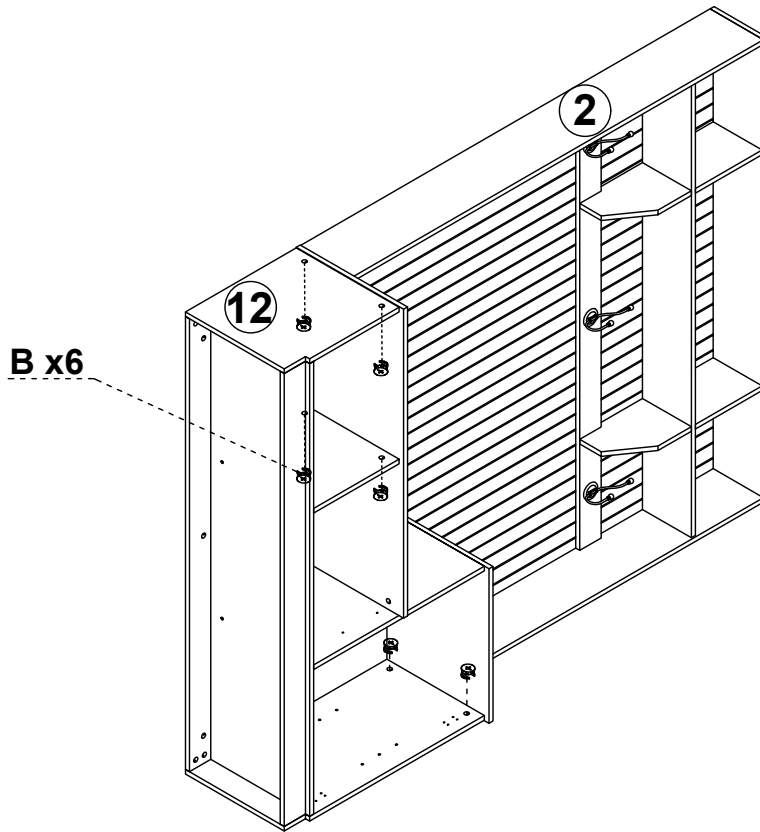




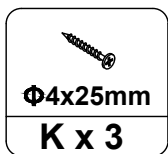
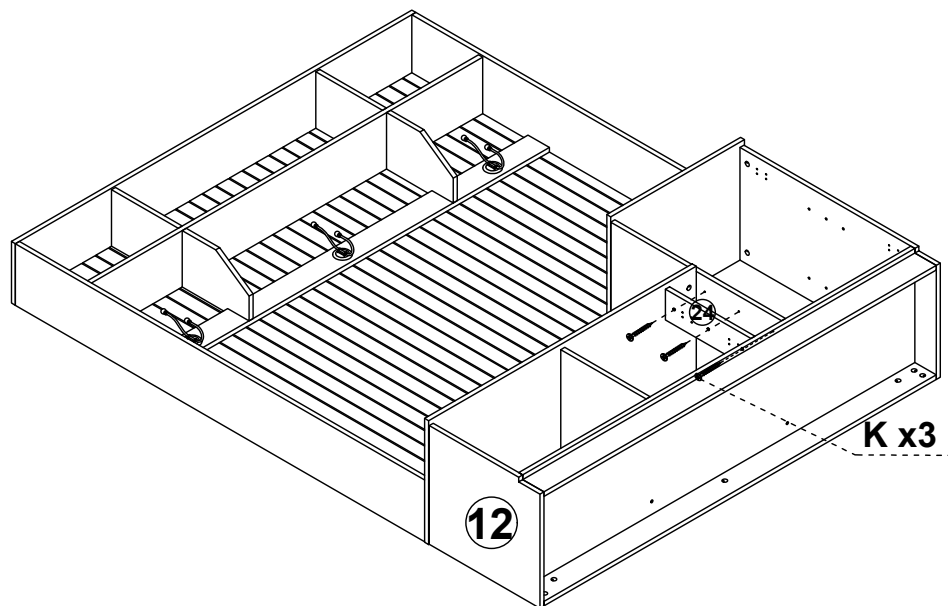
# Step 13



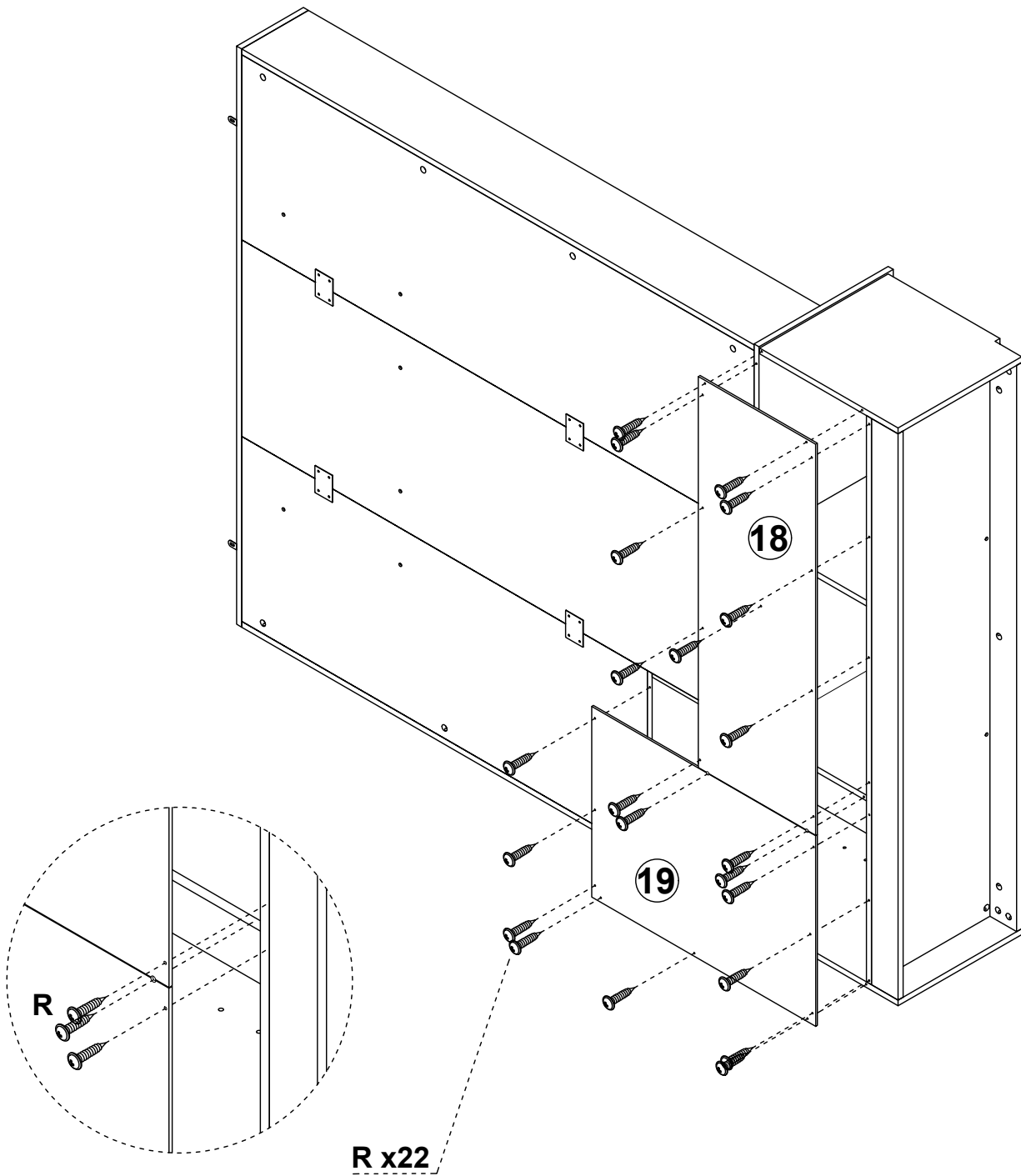
## Step 14



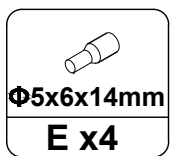
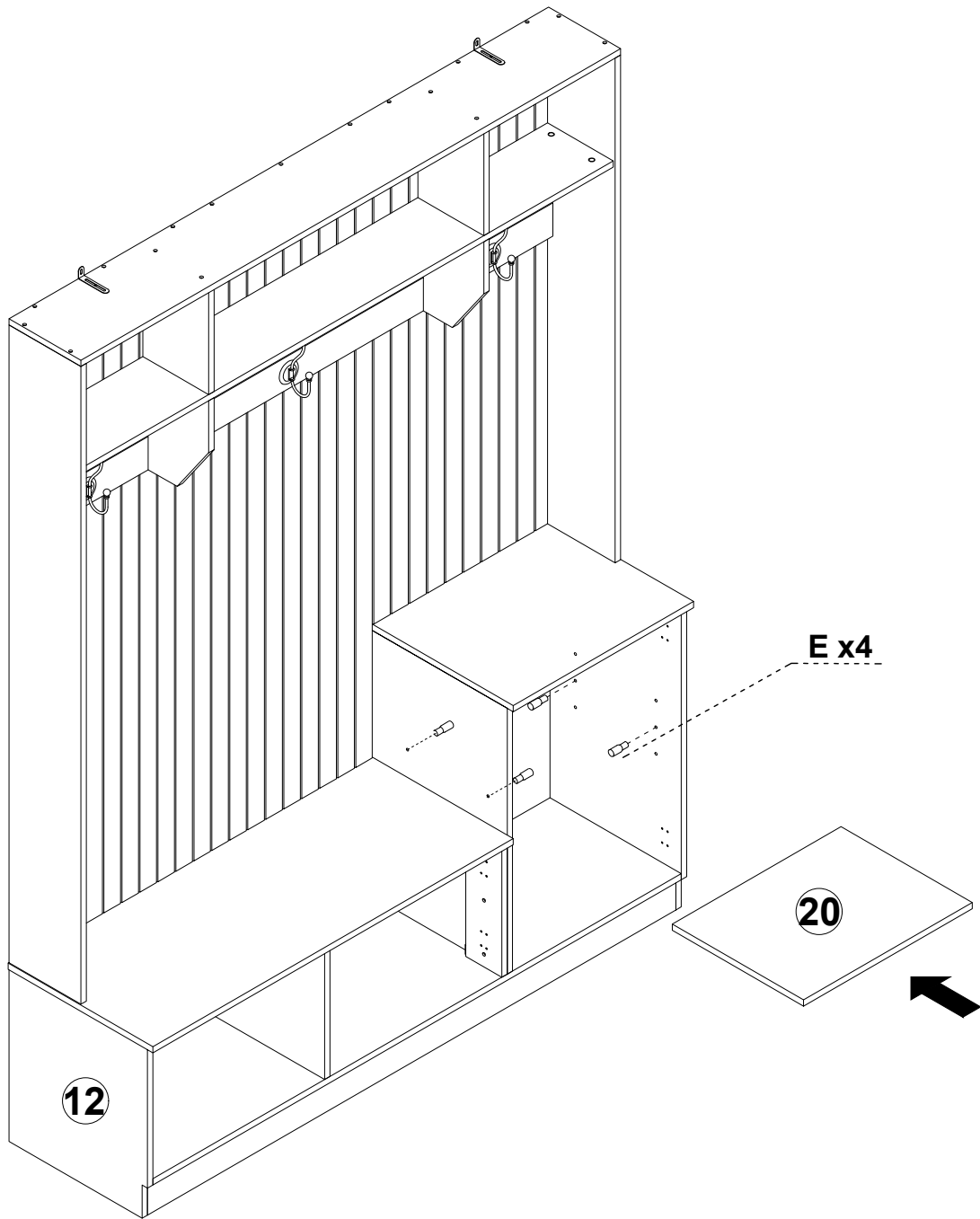
## Step 15



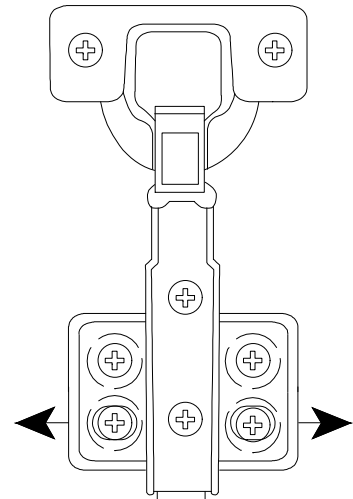
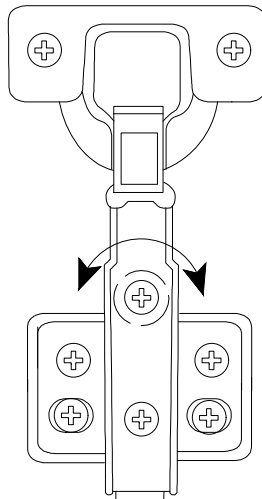
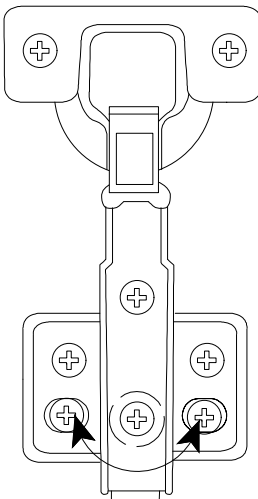
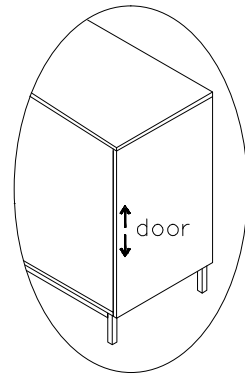
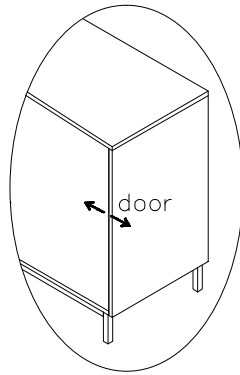
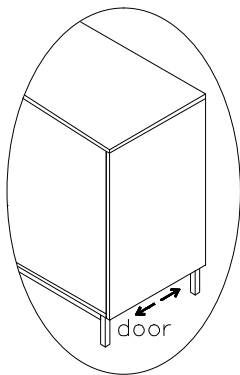
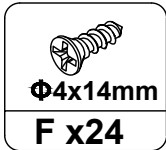
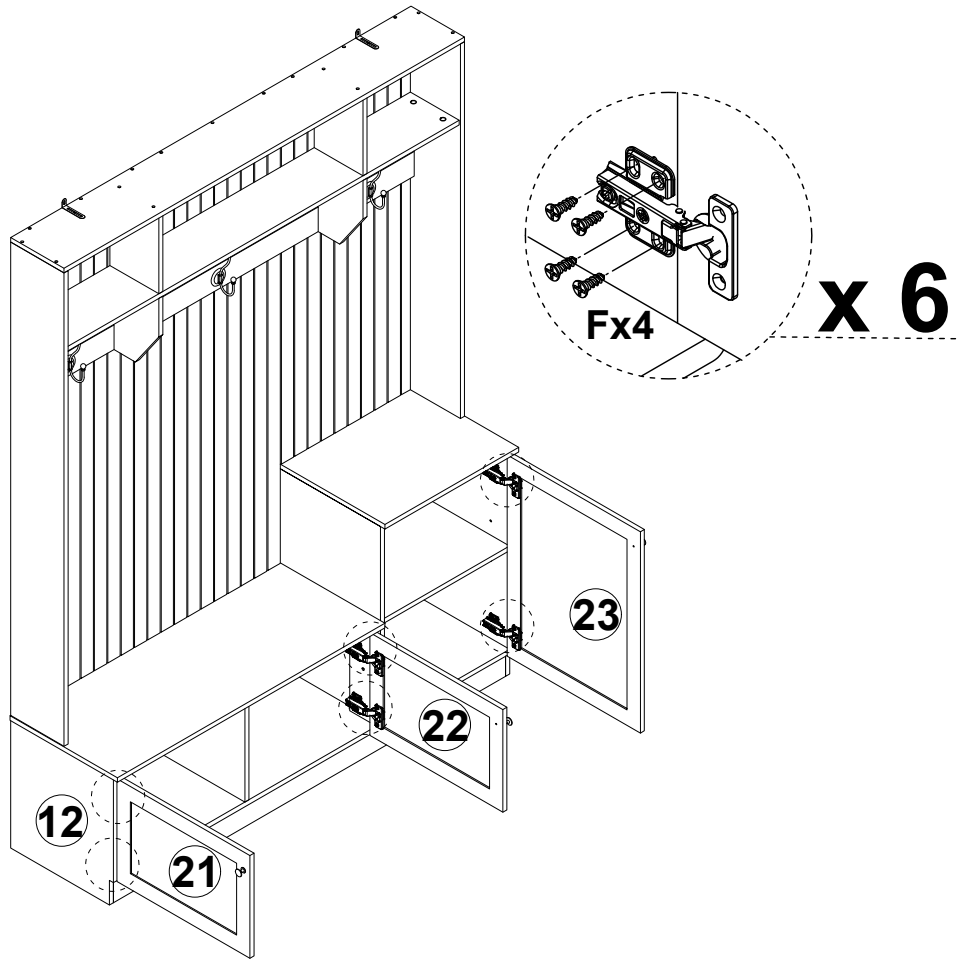
# Step 16



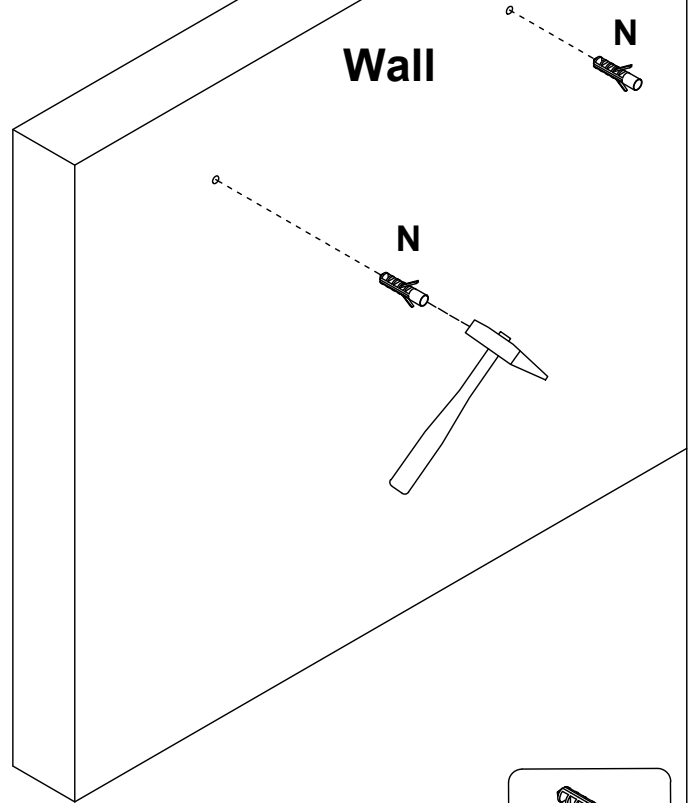
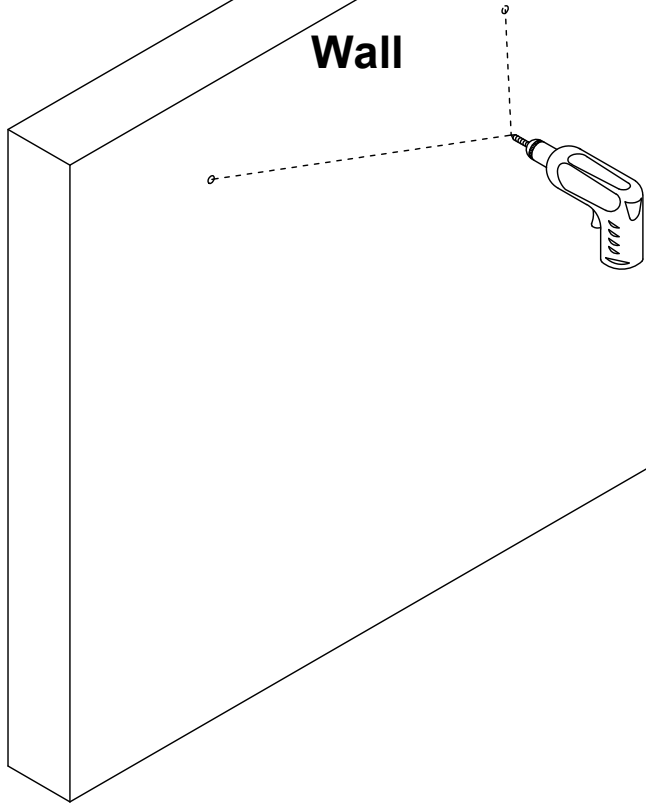
# Step 17



# Step 18



## Step 19



## Step 20

