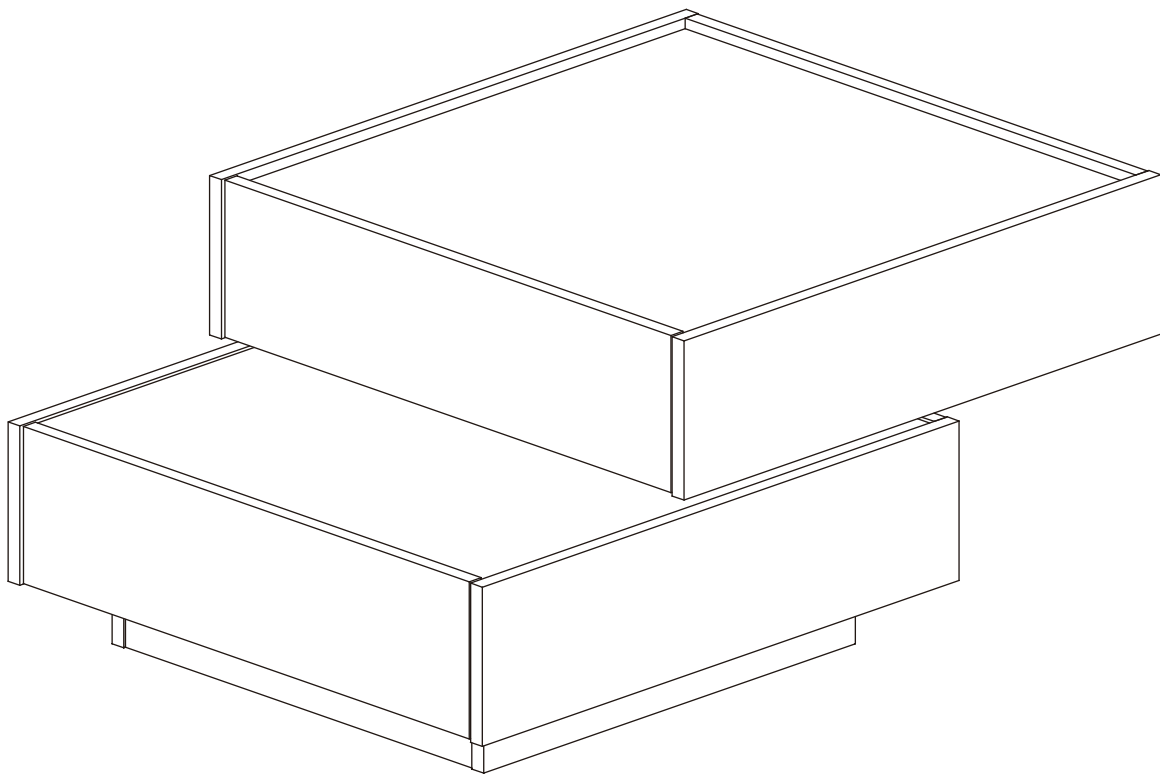


# Coffee Table

**Assembly Instructions - Please keep for future reference**



## Dimensions

Width- 23.6 inch

Depth- 23.6inch

Height- 15 inch

**Important – Please read these instructions fully before starting assembly**



# Safety and Care Advice

**Important – Please read these instructions fully before starting assembly**

- Check you have all the components and tools listed on the following pages.
- Remove all fittings from the plastic bags and separate them into their groups.
- Keep children and animals away from the work area, small parts could choke if swallowed.
- Make sure you have enough space to layout the parts before starting.

- During assembly do not stand or put weight on the product, this could cause damage.
- Assemble the item as close to its final position (in the same room) as possible.
- Assemble on a soft level surface to avoid damaging the unit or your floor.
- Parts of the assembly will be easier with 2 people.



- To reduce the likelihood of damaging your product please ensure that your power drill is set on a low torque setting.

## Care and maintenance

- Only clean using a damp cloth and mild detergent, do not use bleach or abrasive cleaners.
- From time to time check that there are no loose screws on this unit.
- This product should not be discarded with household waste. Take to your local authority waste disposal centre.

## Handy Hints

- Assemble all parts and bolts loosely during assembly, only once the product is complete should you fully tighten the bolts
- Regularly check and ensure that all bolts and fittings are tightened properly.

**WARNING**  
**In order to help prevent overturning – please follow these instructions**

To help prevent product toppling over please follow the below steps:-

- Use the anti tip stap or wall fixing method provided (if applicable)
- Do not allow children to climb or hang on the furniture
- Do not open more than one drawer at a time
- Do not place heavy items in the top drawers
- Do not place heavy items on top of the furniture, unless the furniture has been designed for this purpose

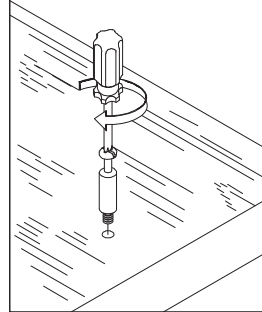
# Using Camlocks

## Step 1

Connect the male camlock as directed in the assembly instructions using a screwdriver.

1

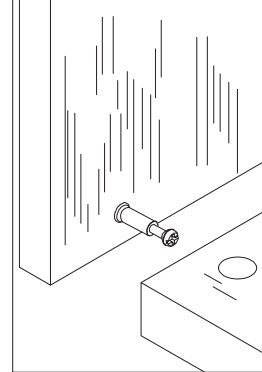
DO NOT OVER TIGHTEN.  
NE PAS SERRER EXCESSIVEMENT.



## Step 2

Push the male camlock into the entry hole.

2

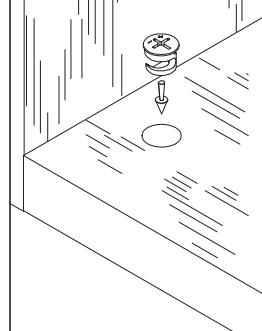


## Step 3

Insert the female camlock as shown in the instruction.

Note: ensure that the arrow on the top of the camlock points towards the entry hole for the male camlock.

3



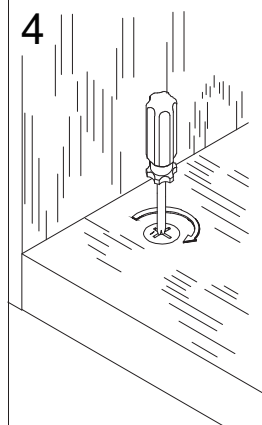
## Step 4

Turn the female camlock clockwise with a screwdriver.

You should feel a click when the camlock is locked in place.

The joint is now secure.

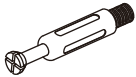

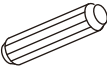


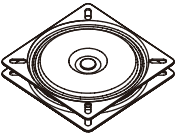

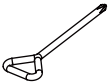
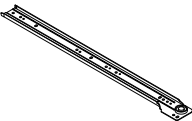
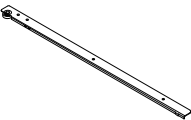
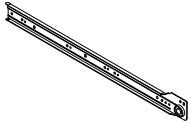
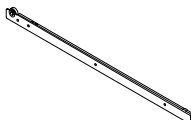
4



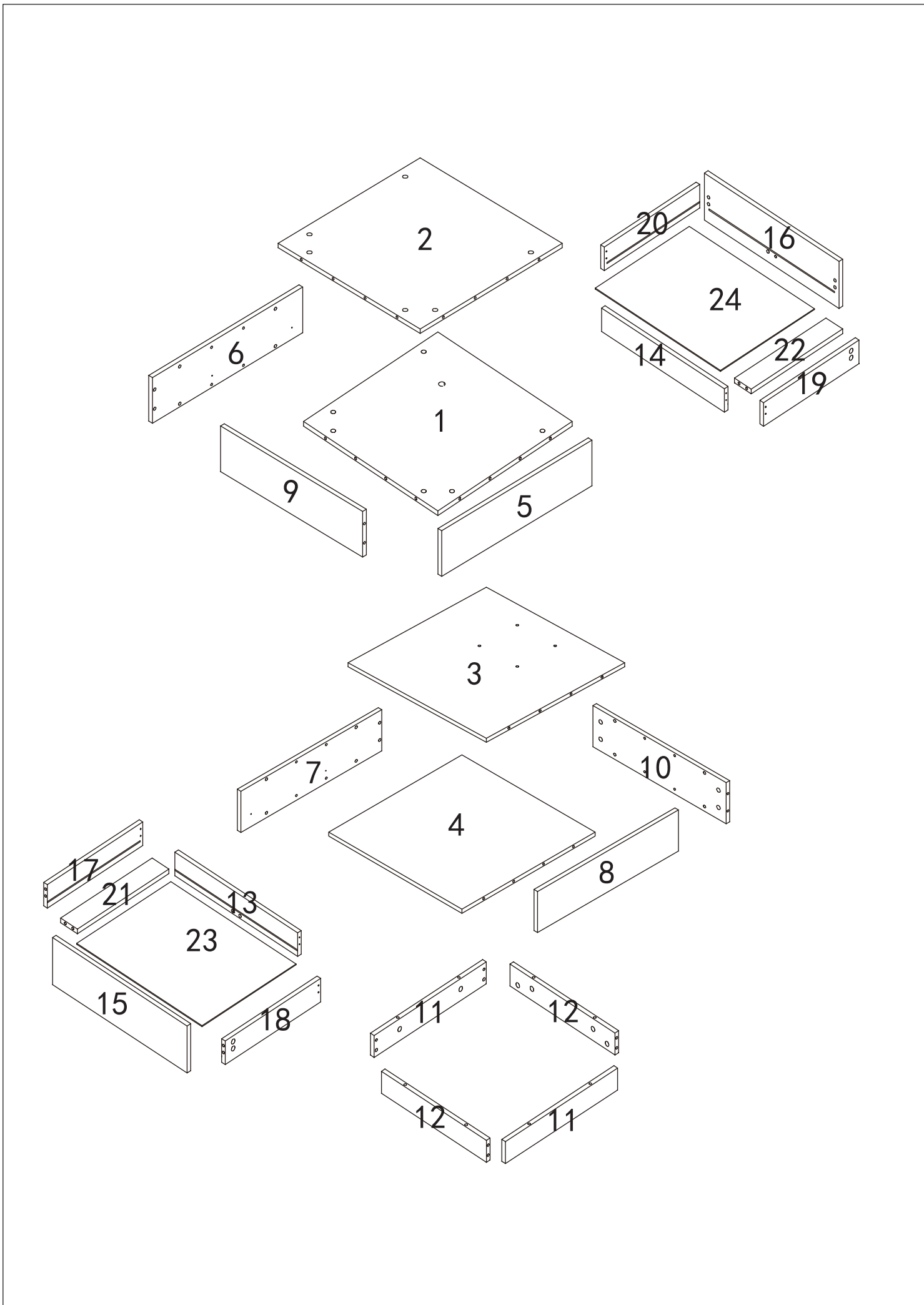
# Components-Fittings

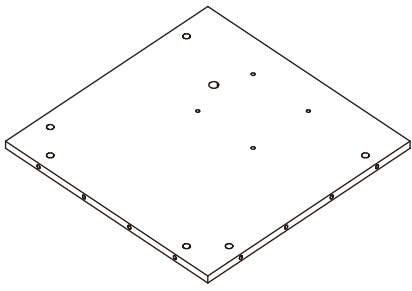
Please check you have all the panels listed below

Note: The quantities below are the correct amount to complete the assembly. In some cases more fittings may be supplied than are required.

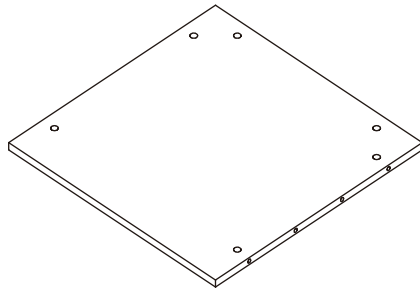
<p>(A)</p>  <p>Cam Bolt x 56+3</p>	<p>(B)</p>  <p>Cam Lock x 56+3</p>	<p>(C)</p>  <p>8*30mm Dowel x 32+2</p>	<p>(D)</p>  <p>8*12mm Screw x 8+1</p>
<p>(F)</p>  <p>3.5*14mm Screw x 16+1</p>	<p>(G)</p>  <p>195*195*22 mm turntable x 1</p>	<p>(H)</p>  <p>3.5*35mm Screw x 8+1</p>	<p>(J)</p>  <p>Screwdriver x 1</p>
<p>(CL)</p>  <p>400mm Drawer slide x 2</p>	<p>(DL)</p>  <p>400mm Drawer slide x 2</p>	<p>(CR)</p>  <p>400mm Drawer slide x 2</p>	<p>(DR)</p>  <p>400mm Drawer slide x 2</p>



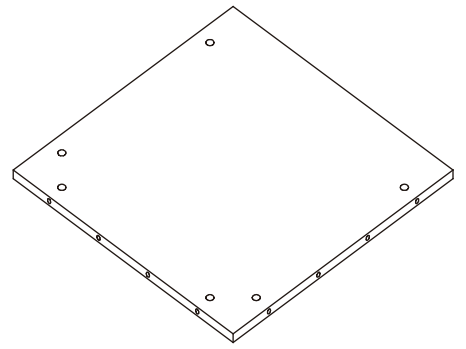




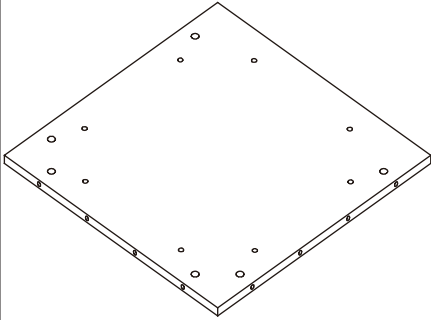
①x1



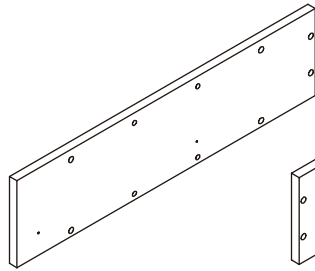
②x1



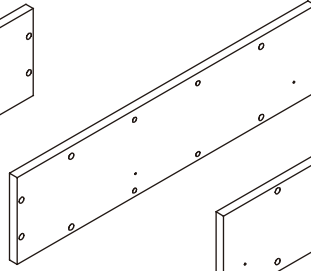
③x1



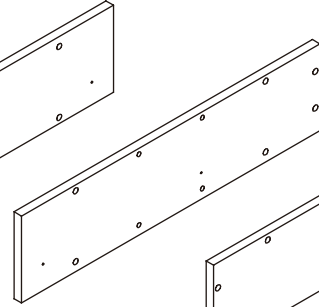
④x1



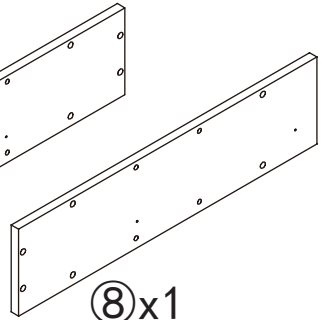
⑤x1



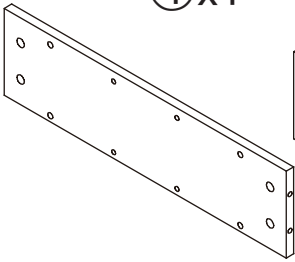
⑥x1



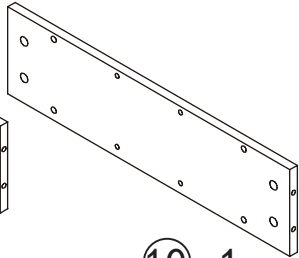
⑦x1



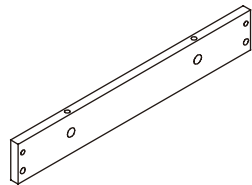
⑧x1



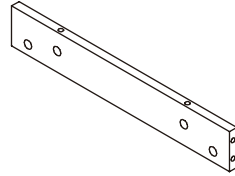
⑨x1



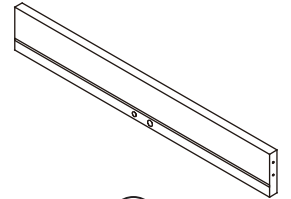
⑩x1



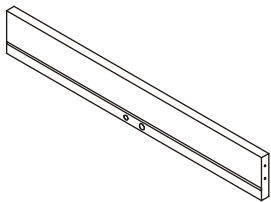
⑪x2



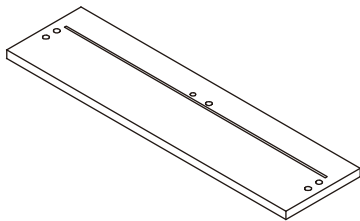
⑫x2



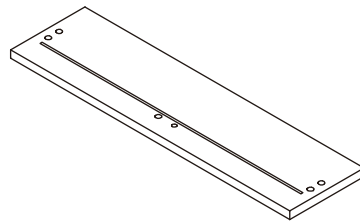
⑬x1



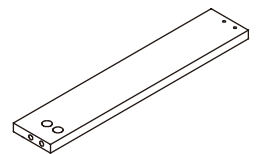
⑭x1



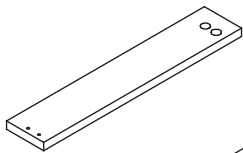
⑮x1



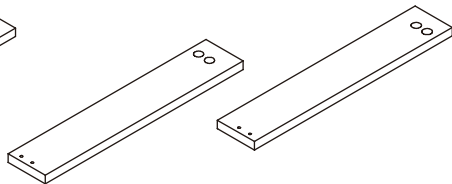
⑯x1



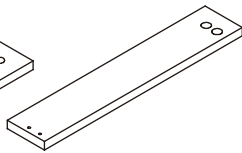
⑰x1



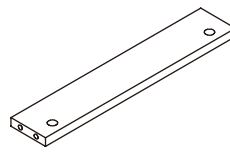
⑱x1



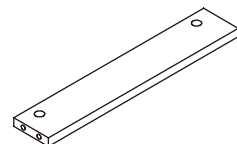
⑲x1



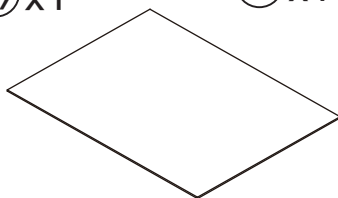
⑳x1



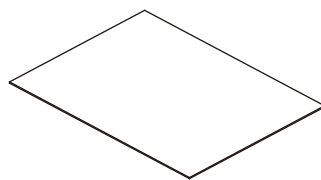
㉑x1



㉒x1

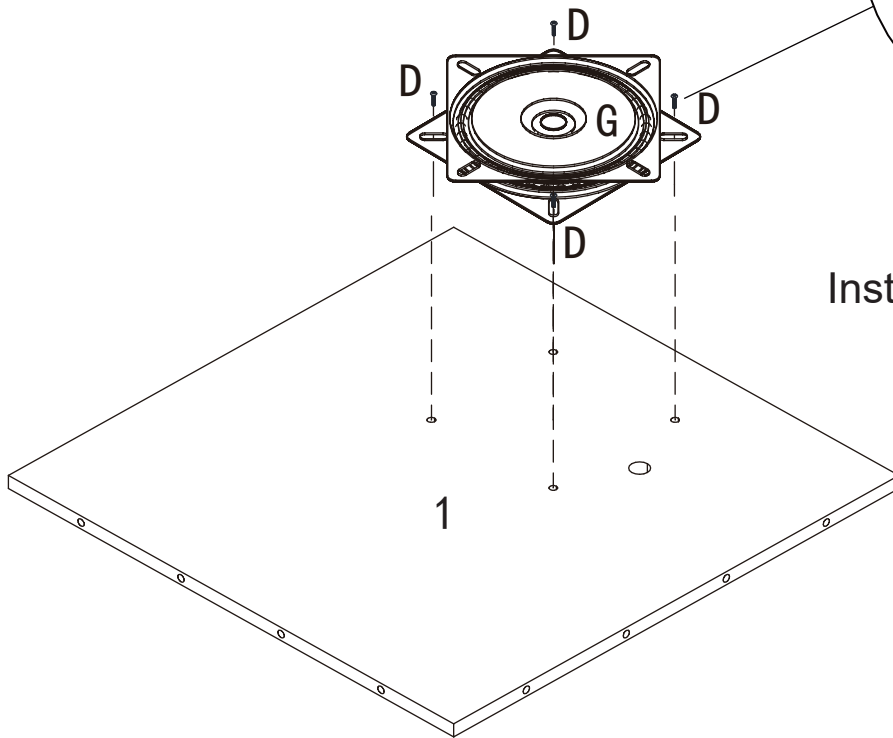
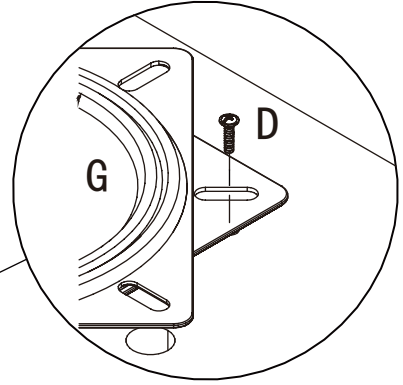
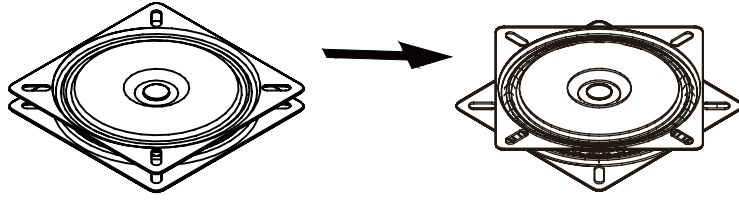


㉓x1

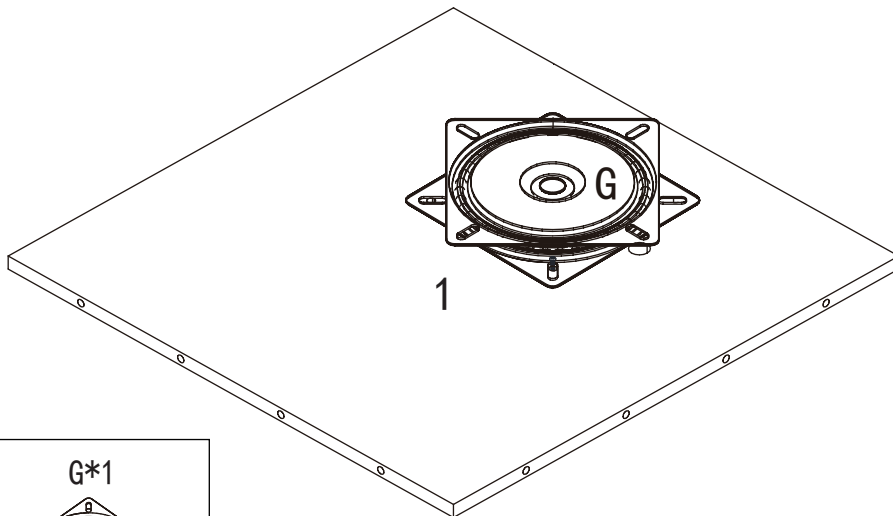


㉔x1

# 1.



Install part G on part 1



D\*4



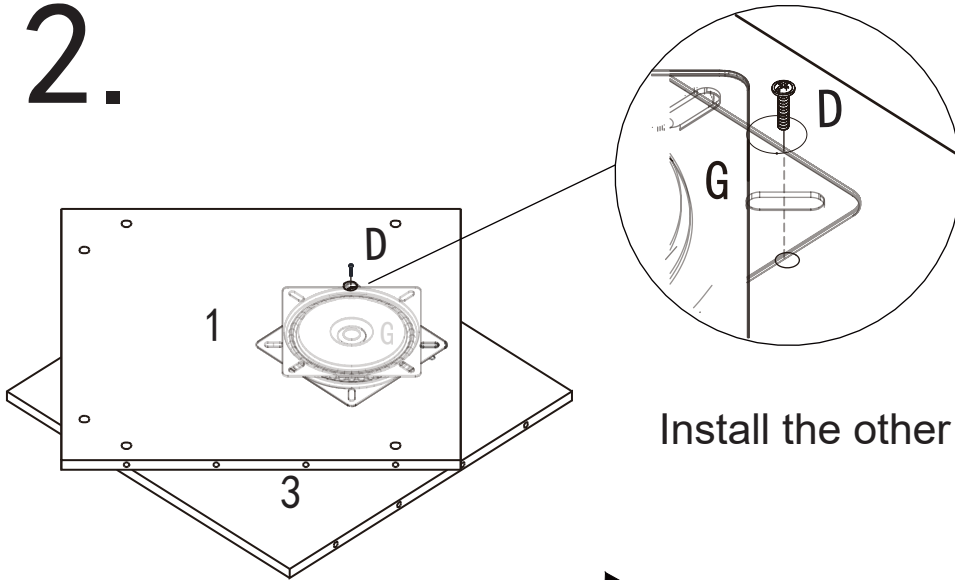
Ø 8 x 12 mm

G\*1



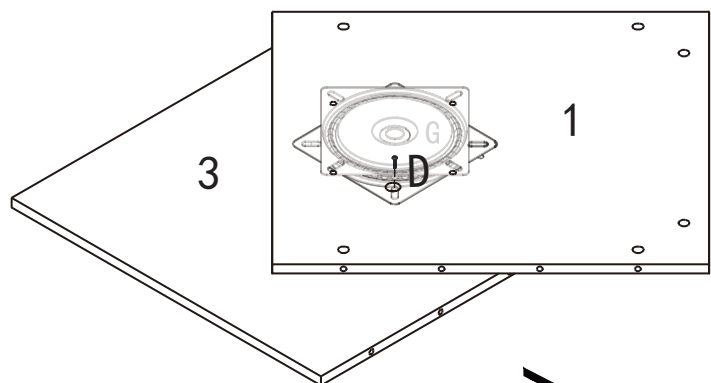
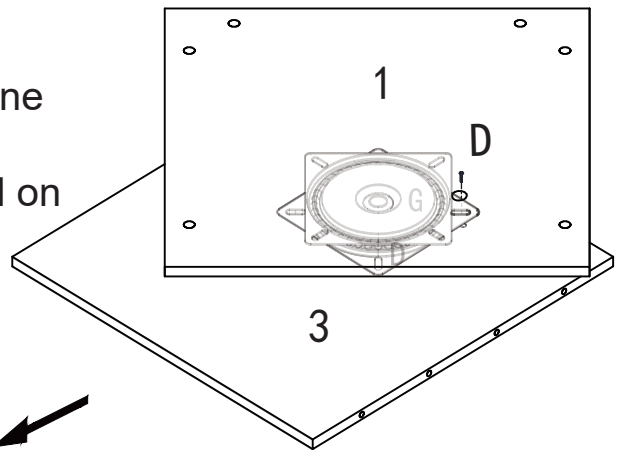
Ø 195x195 x 22 mm

# 2.



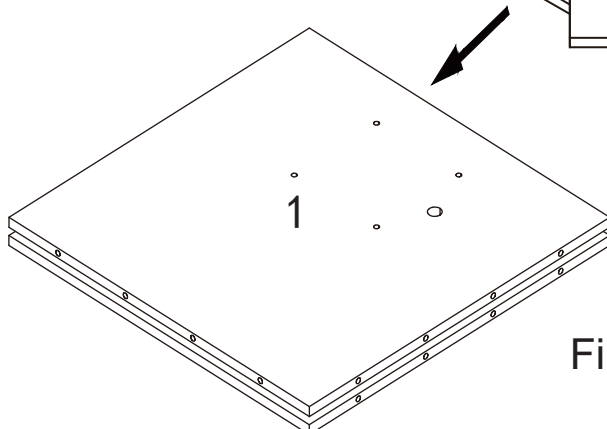
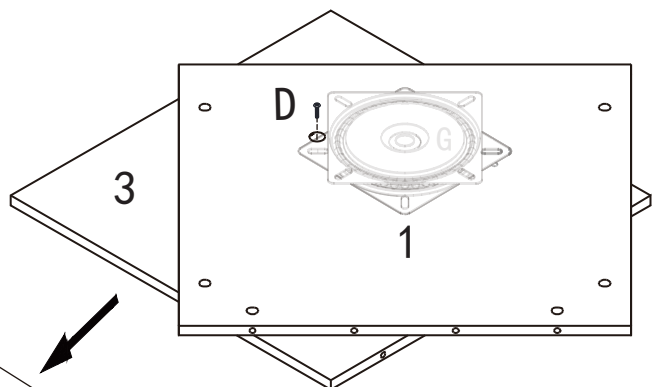
Install the other side of part G and part 3

Rotate part 1 so that the reserved holes line up with the holes in part 3 below. Pass the screw through the hole reserved on part 1 to connect part G and part 3 on the other side.



After installing the first screw, rotate part 1 to expose the next hole to be installed, and tighten the screw.

Repeat the above until all the screws are installed



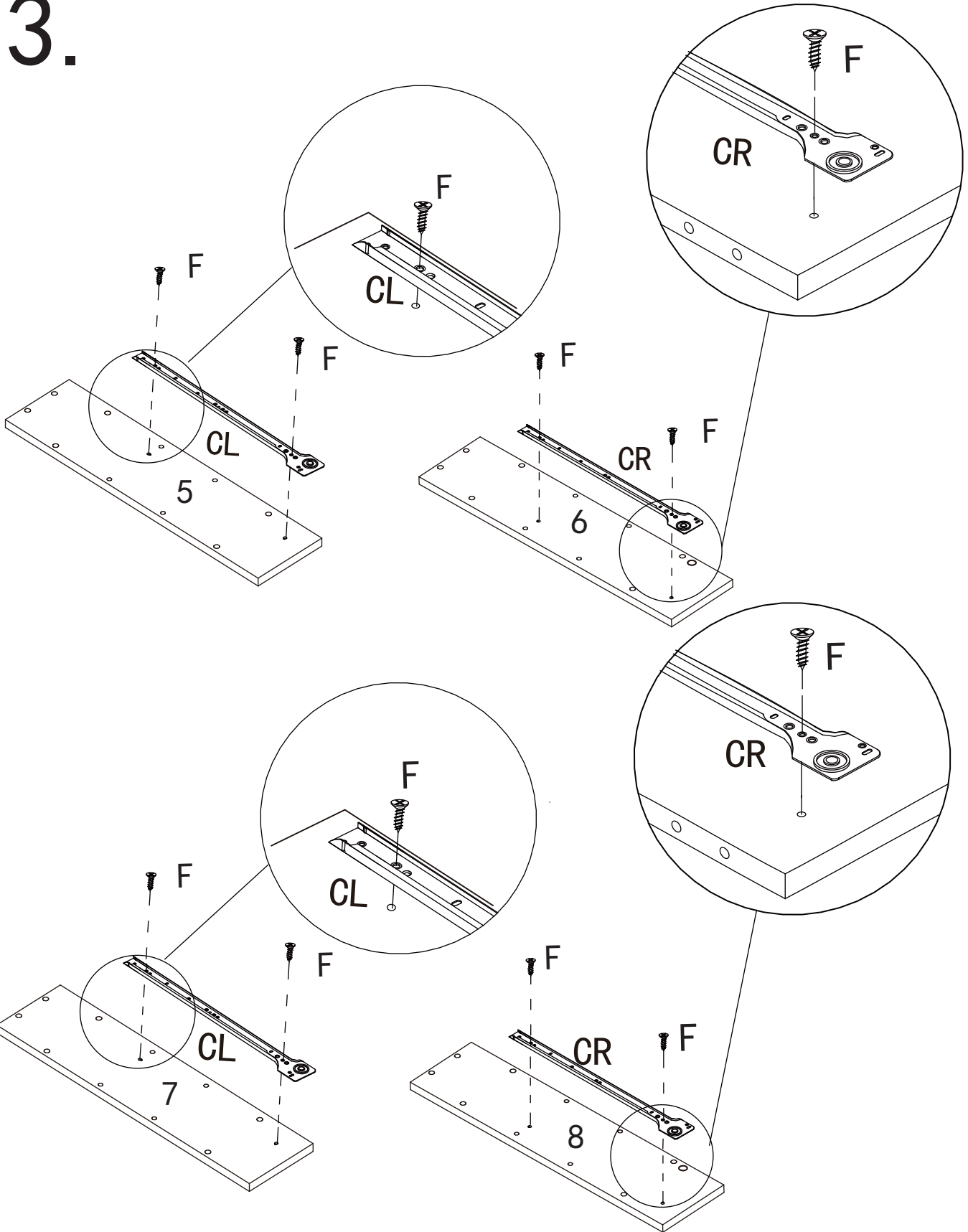
Finally, restore the turntable



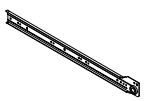
D\*4

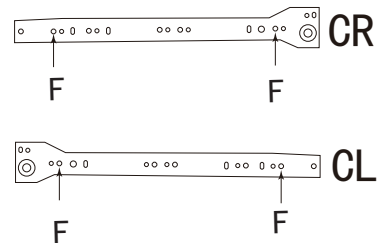


Ø8 x 12 mm

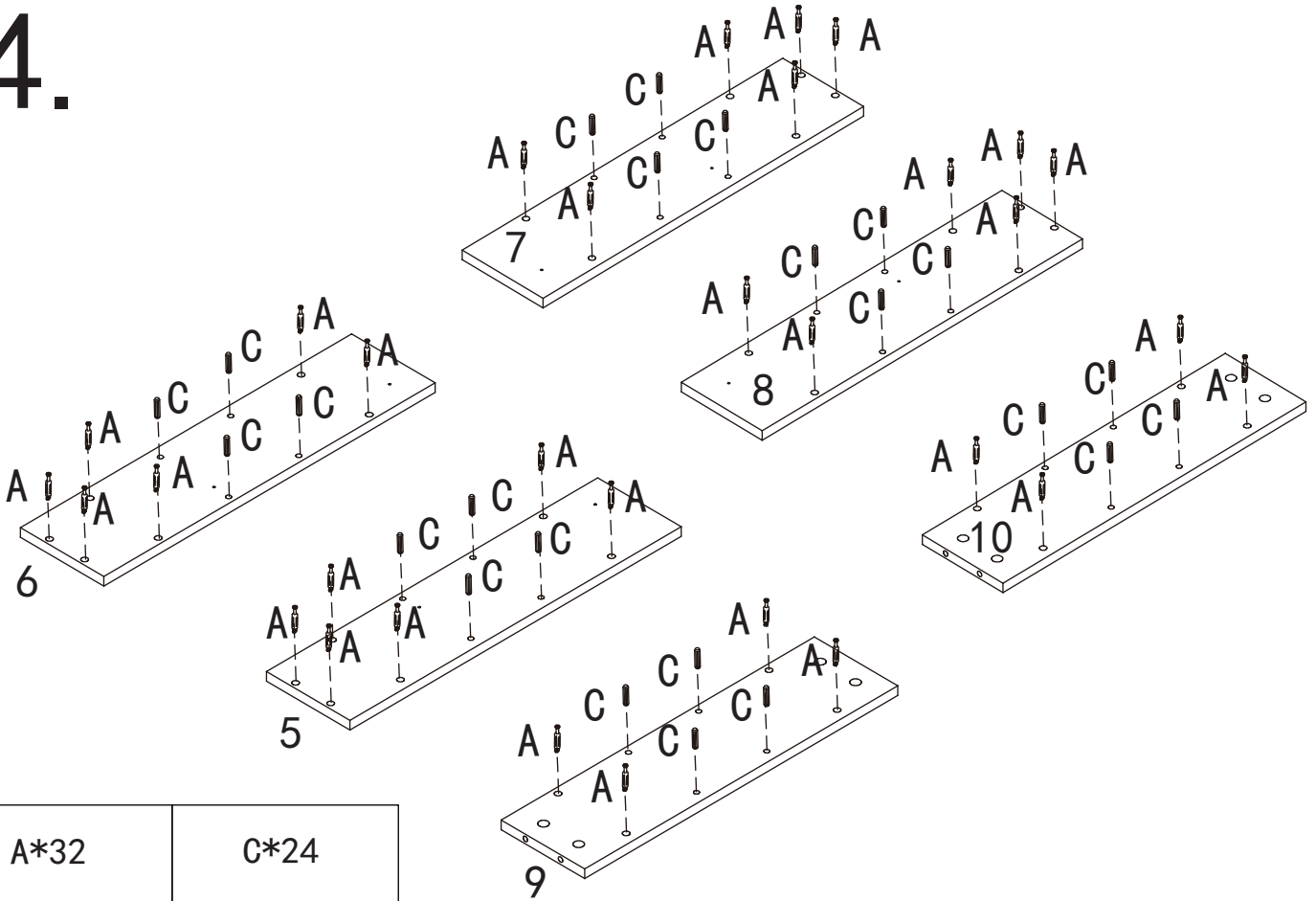
# 3.



<p><b>CL*2</b></p>  <p>∅ 400 mm</p>	<p><b>F*8</b></p>  <p>∅ 3.5x 14 mm</p>	<p><b>CR*2</b></p>  <p>∅ 400 mm</p>
--	---	--



# 4.



A\*32



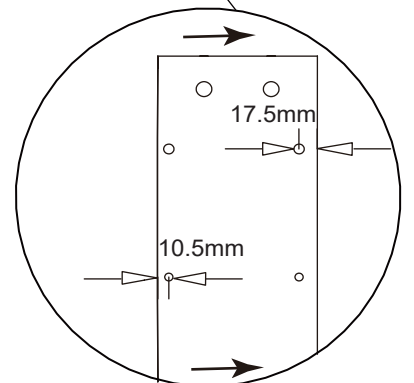
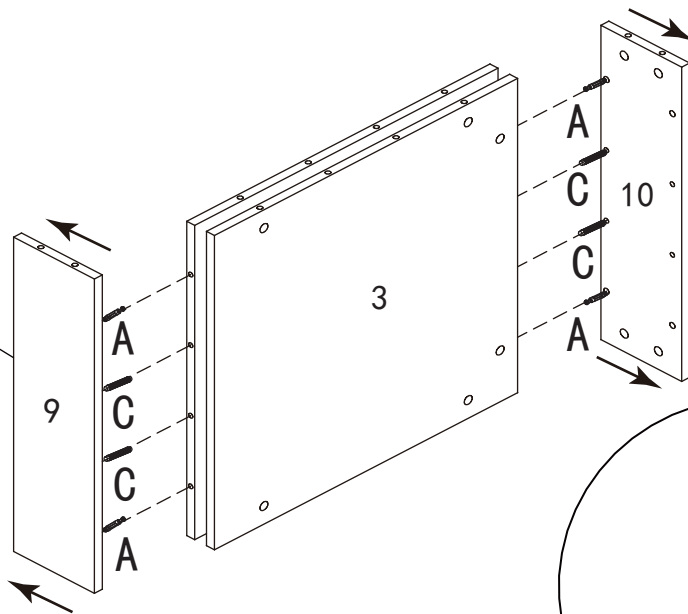
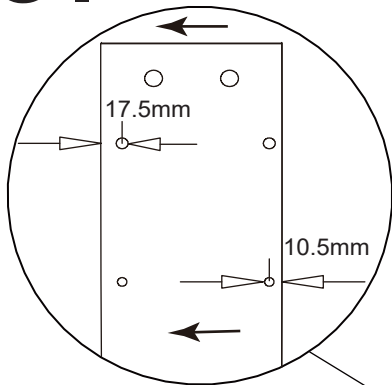
C\*24



∅8 x 30 mm

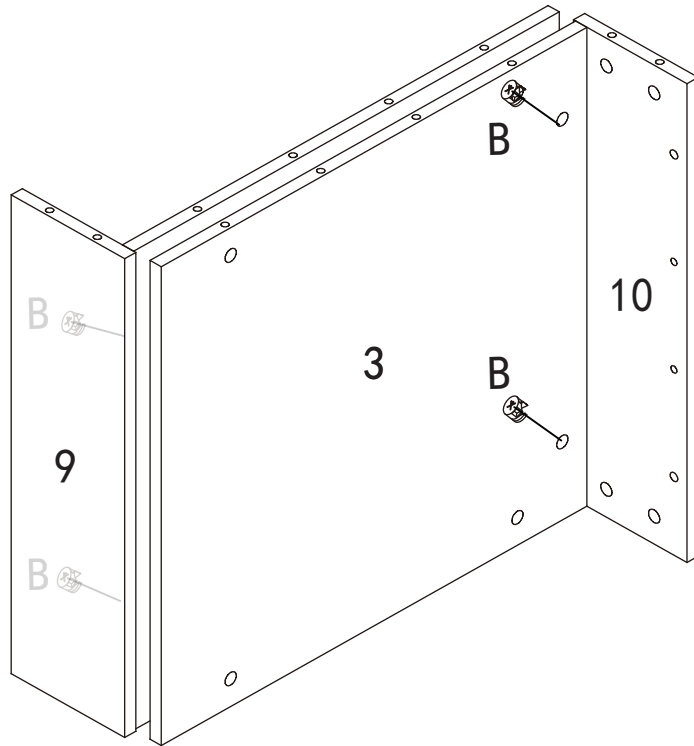
# 5.

Please install it in the direction of the arrow to prevent the No. 10 plate from being reversed



Please install it in the direction of the arrow to prevent the No. 9 plate from being reversed

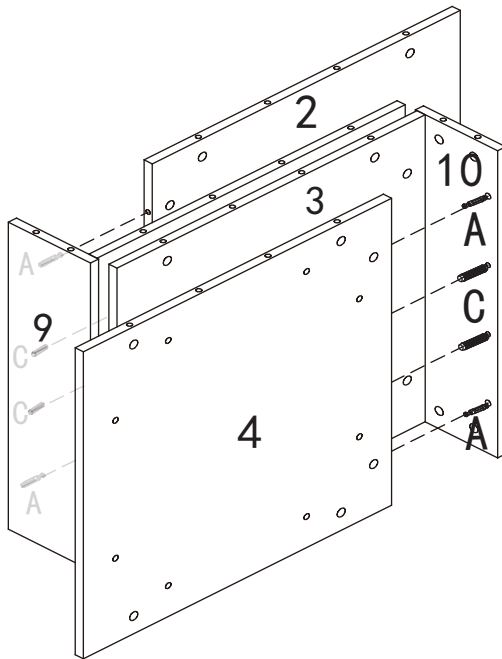
# 6.



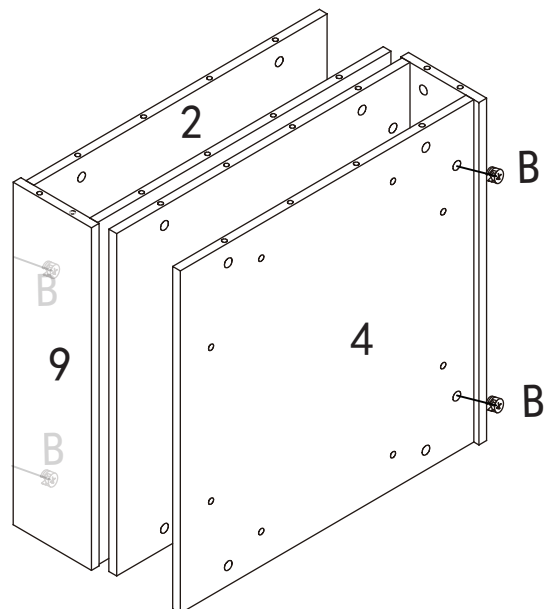
B\*4



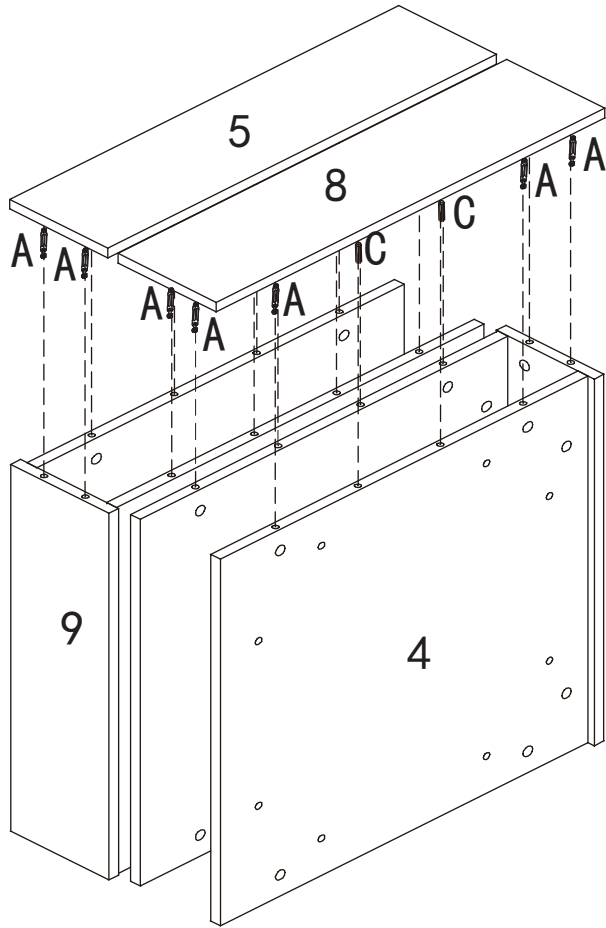
# 7.



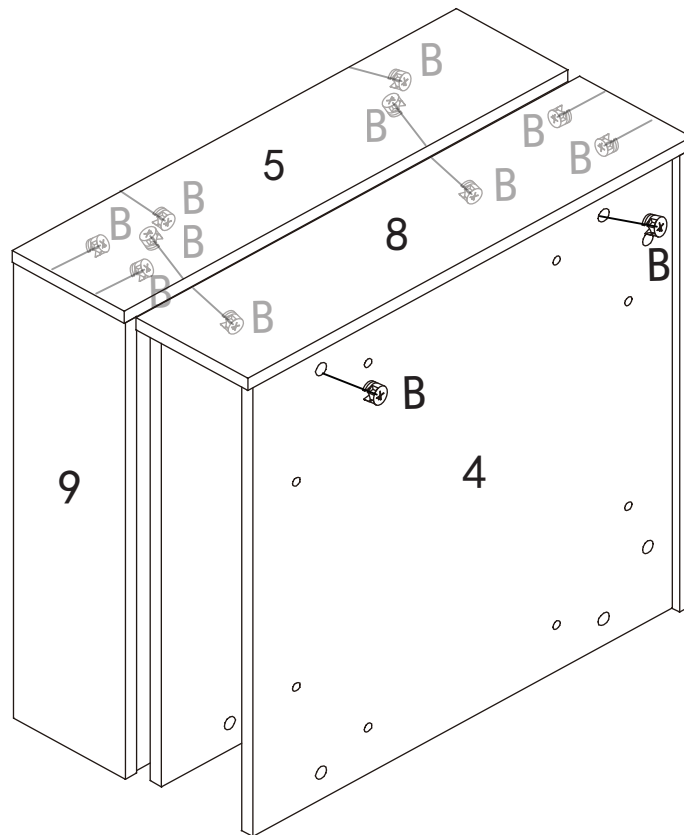
B\*4



8.



9.

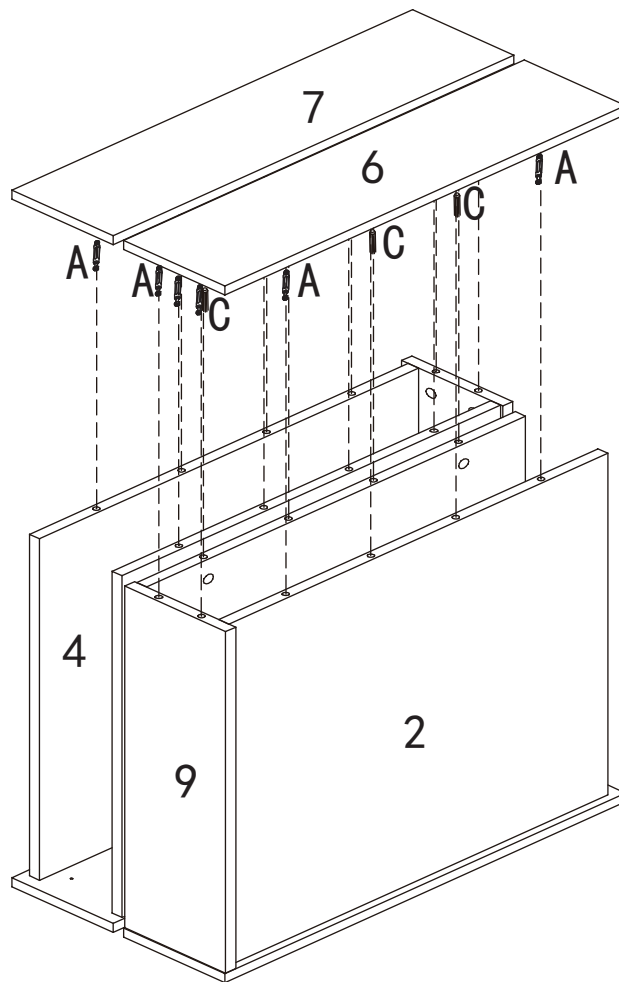


B\*12

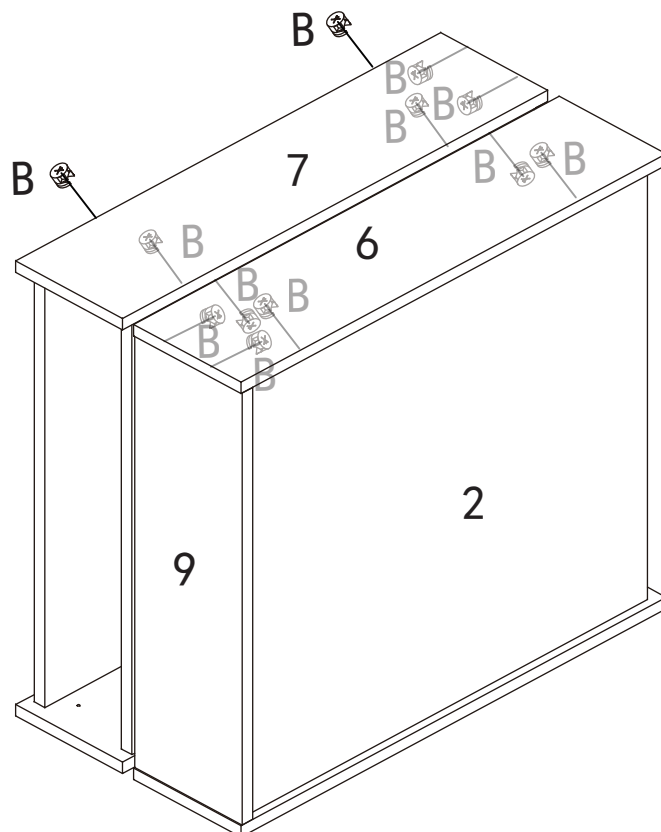




# 10.



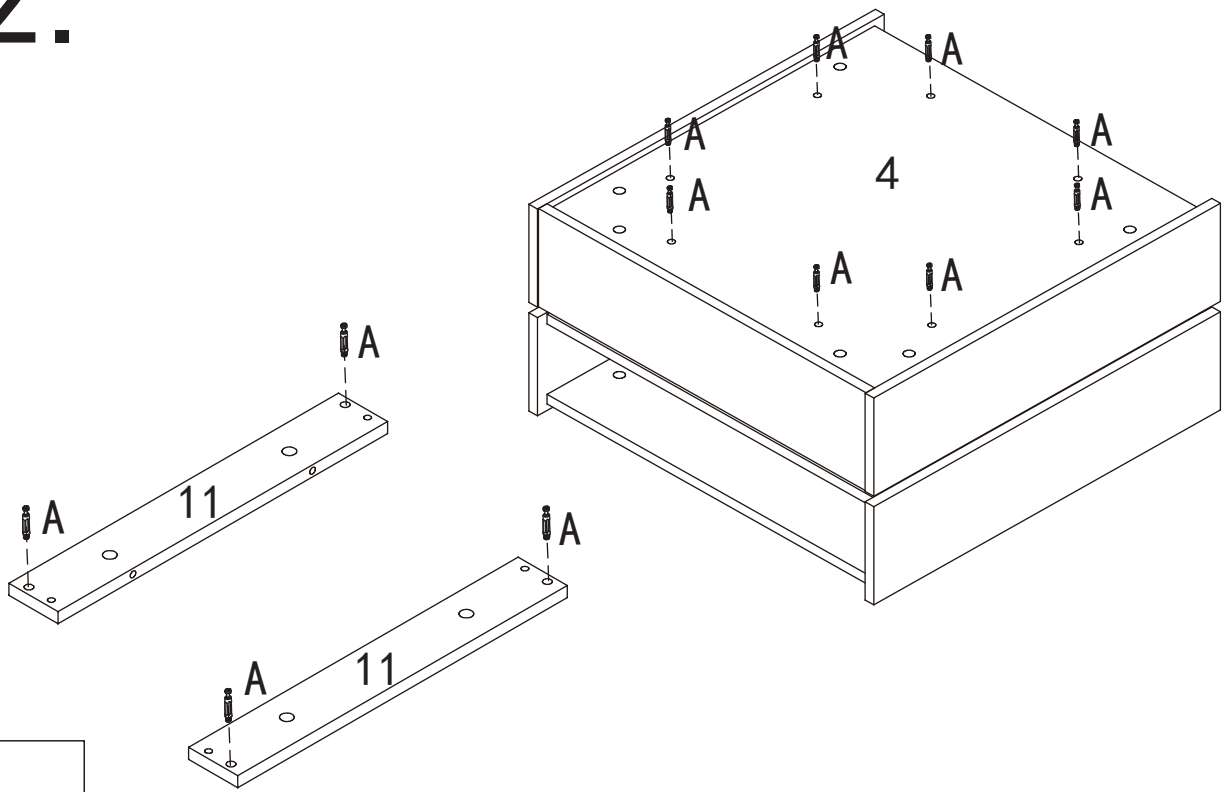
# 11.



B\*12



# 12.

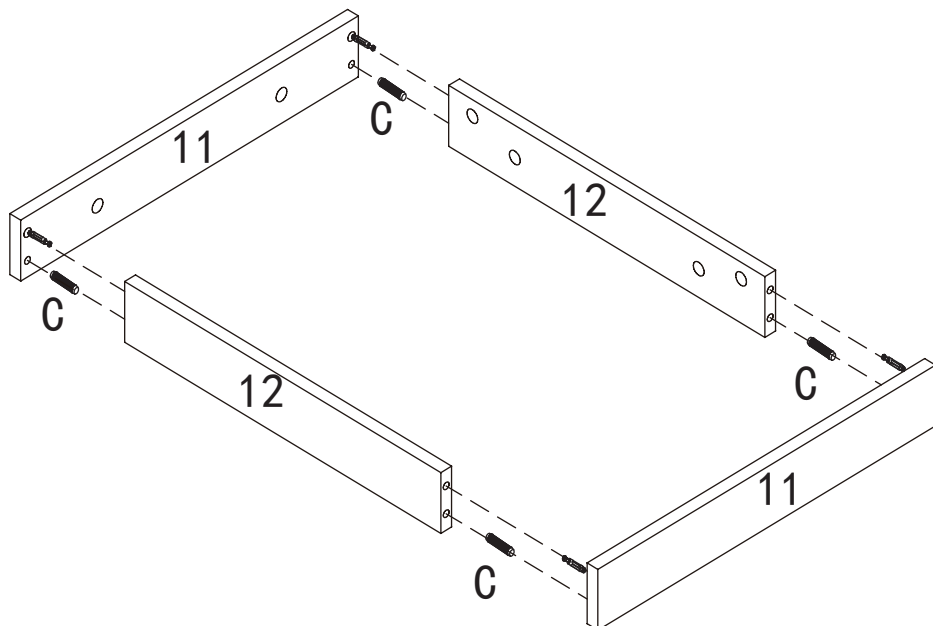


A\*12

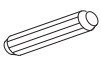


brown color side face up

# 13.

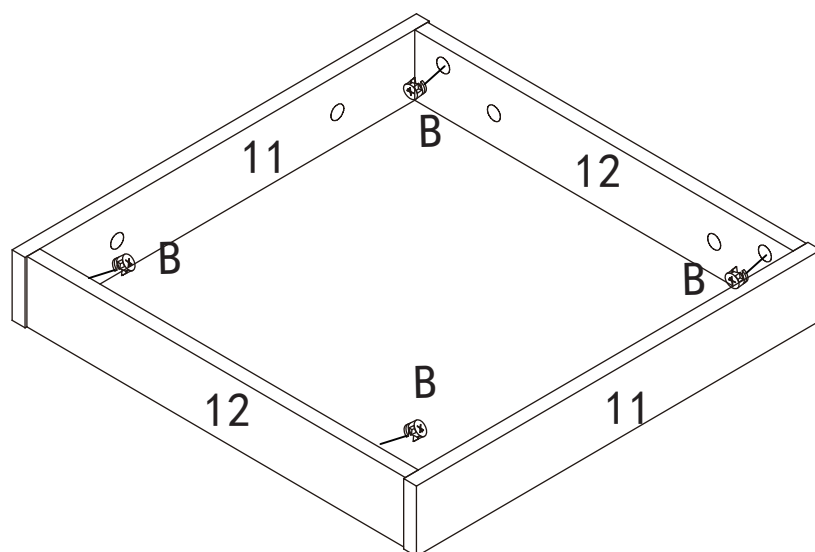


C\*4



∅ 8 x 30 mm

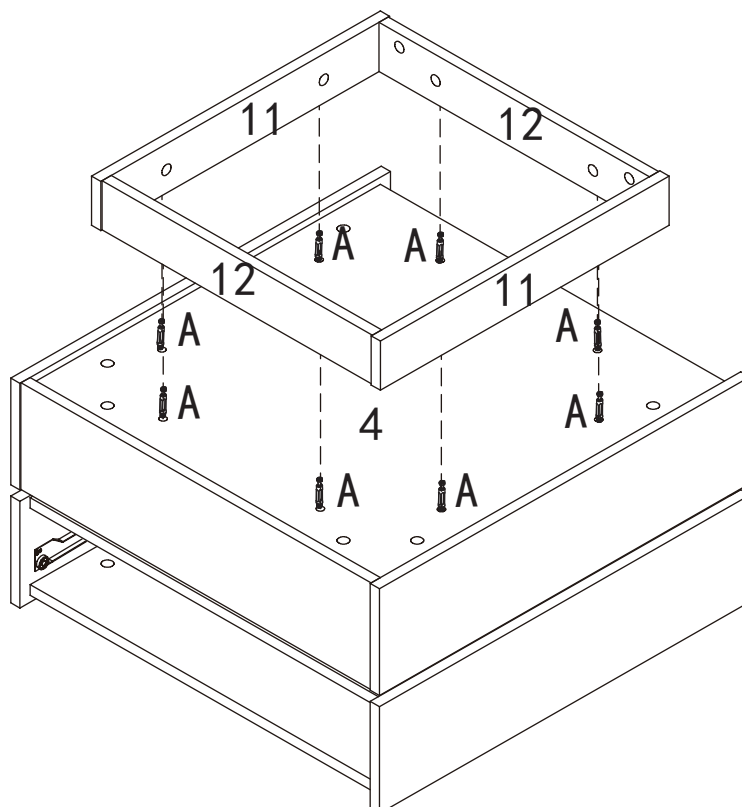
# 14.



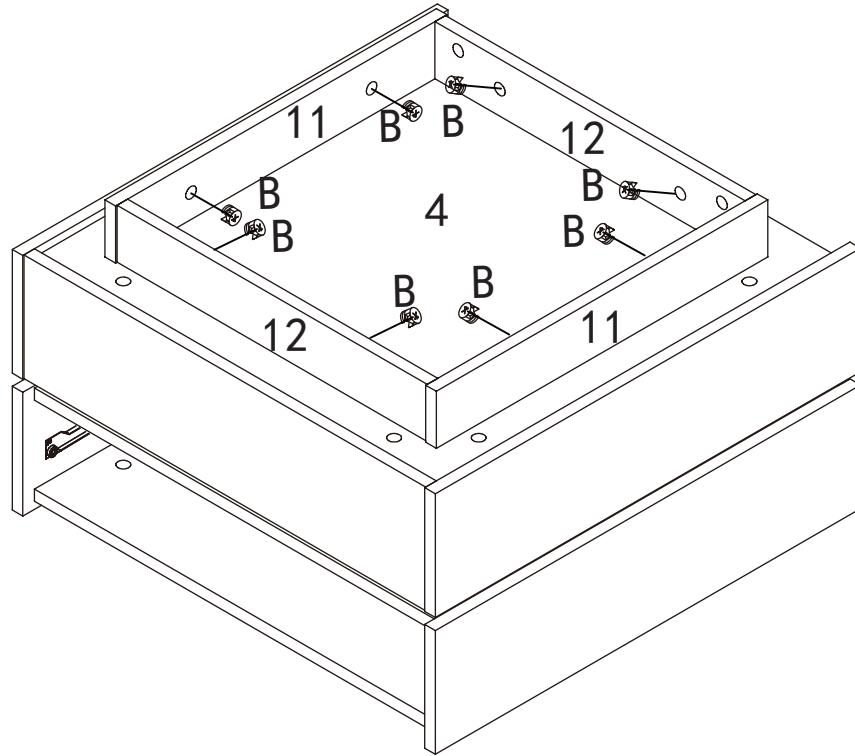
B\*4



# 15.



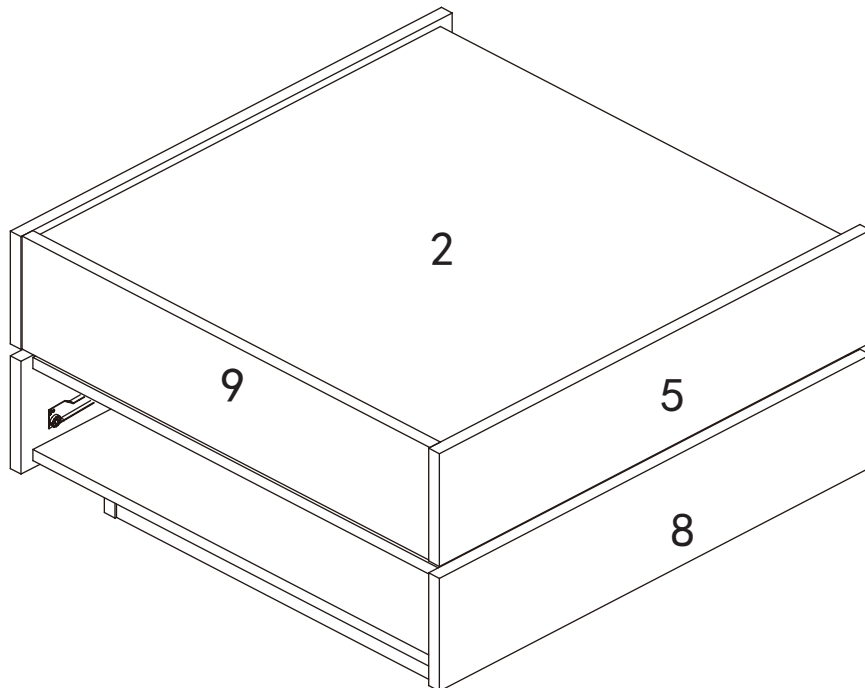
# 16.



B\*8

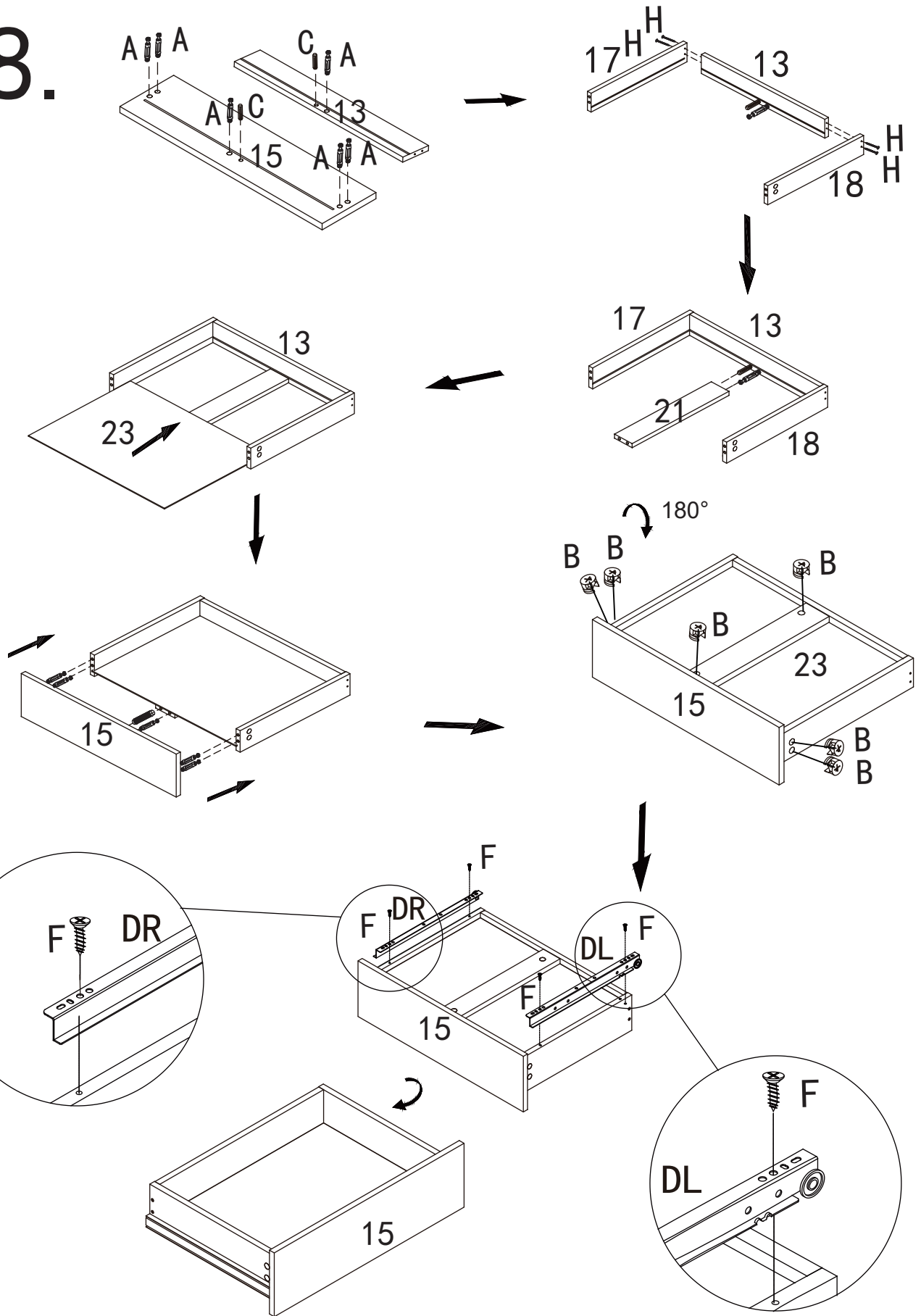


# 17.



Brown side facing downwards

# 18.



A\*6



B\*6



C\*2



∅ 8 x 30 mm

H\*4



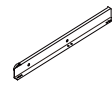
∅ 3.5x 35 mm

F\*4



∅ 3.5x 14 mm

DL\*1



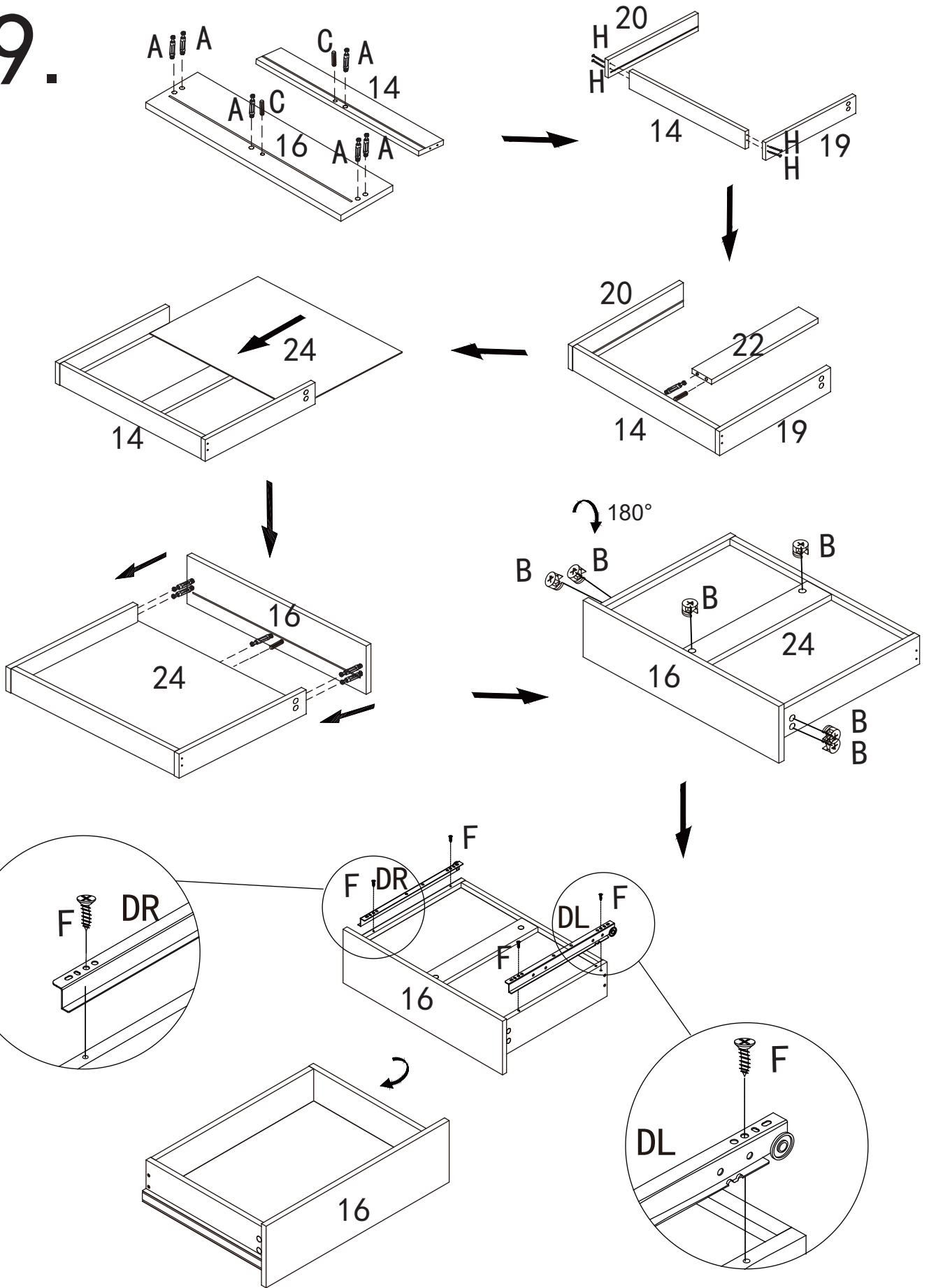
∅ 400 mm

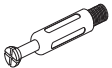

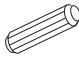



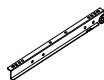
DR\*1



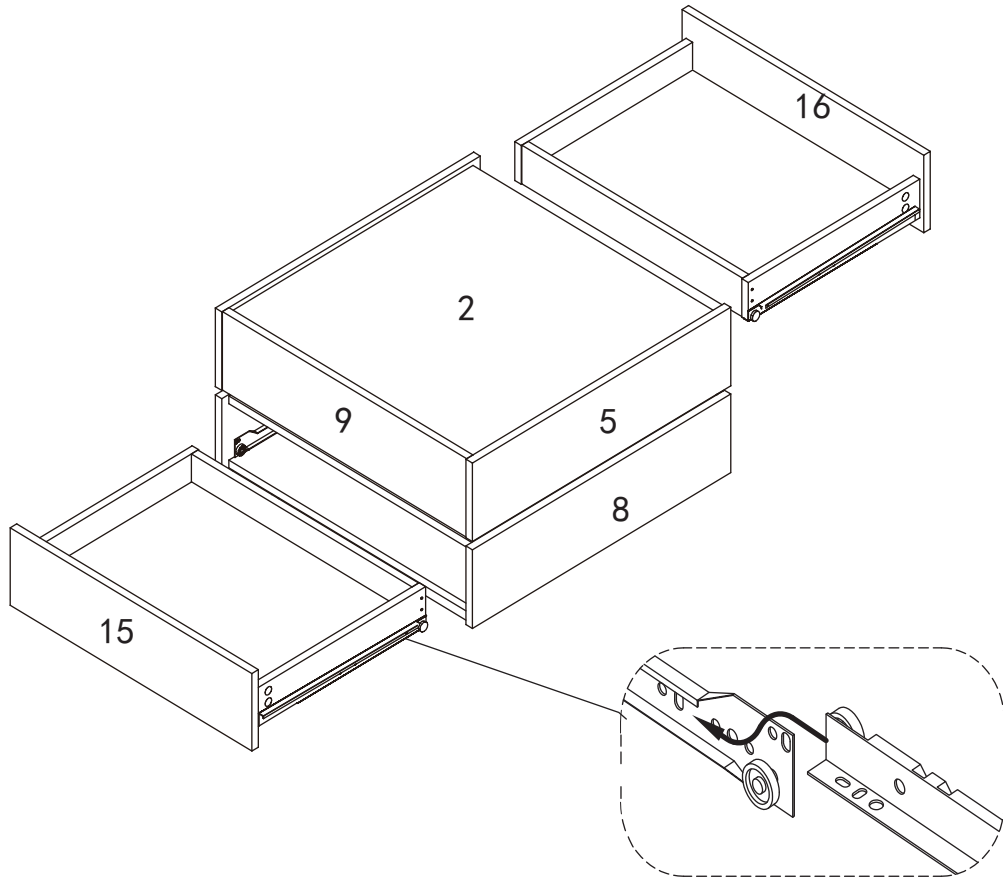
∅ 400 mm

# 19.

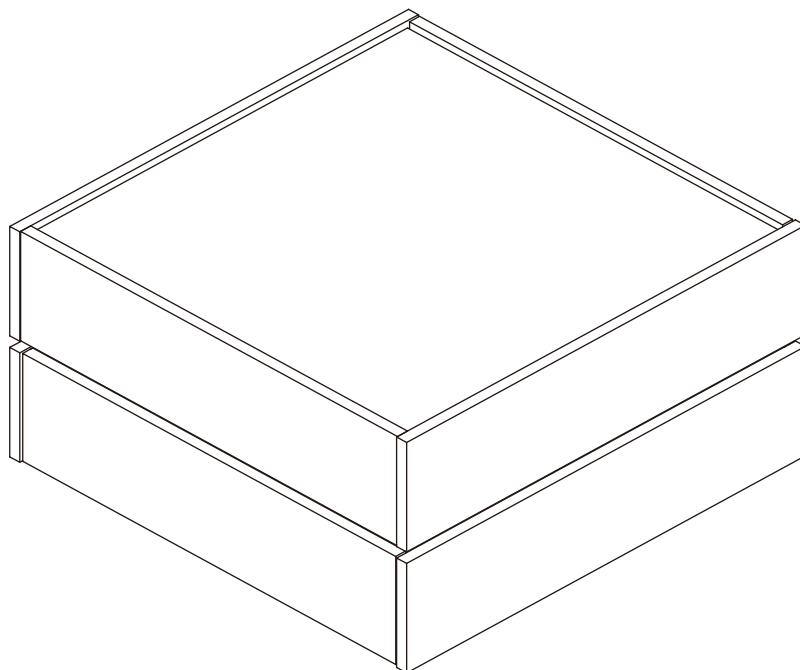


A*6	B*6	C*2	H*4	F*4	DL*1	DR*1
						
		∅8 x 30 mm	∅ 3.5x 35 mm	∅ 3.5x 14 mm	∅ 400 mm	∅ 400 mm

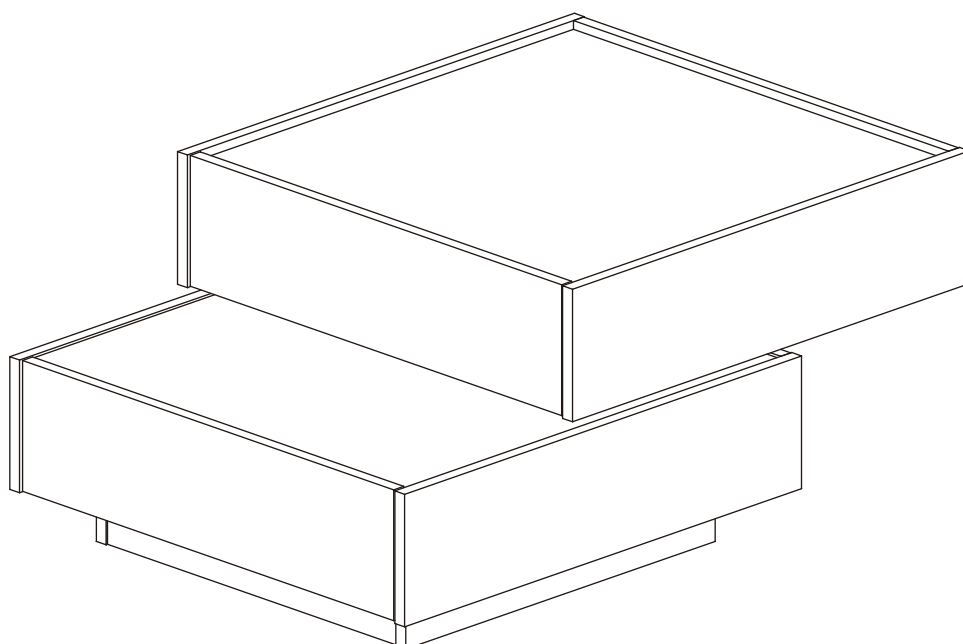
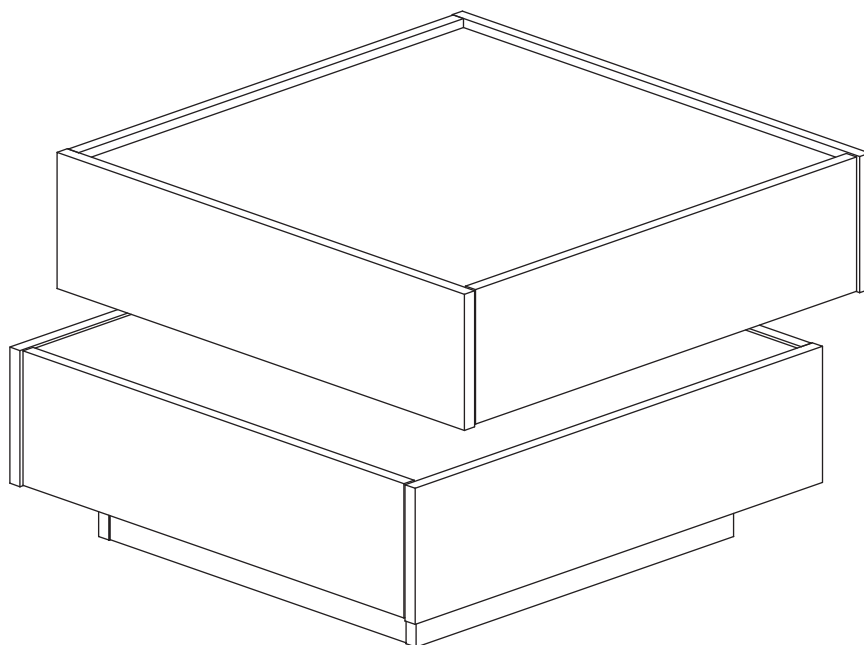
# 20.



# 21.



# 22.



Rotate the turntable to the desired angle