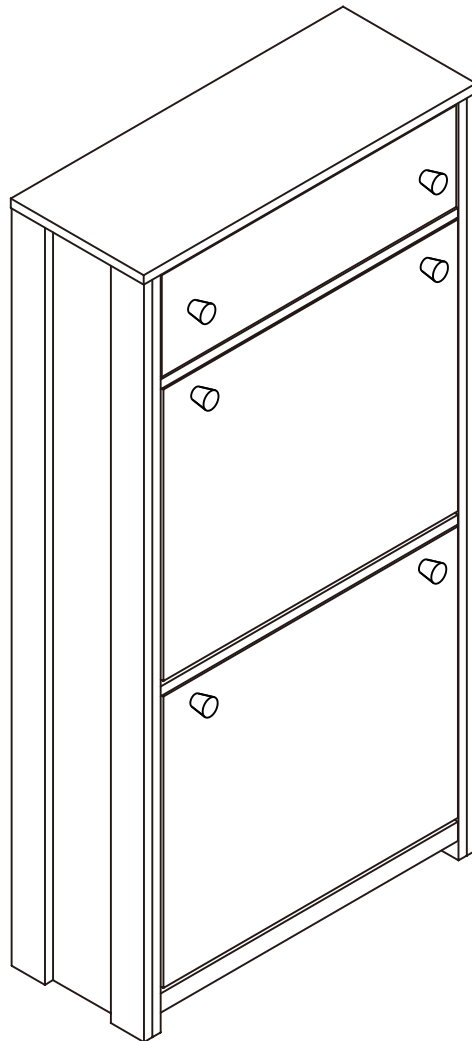


Shoe Cabinet

Assembly Instructions - Please keep for future reference



Dimensions

Width-23.62inch

Depth-9.44inch

Height-47.24inch

Important – Please read these instructions fully before starting assembly

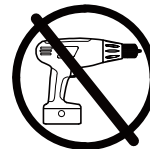


Safety and Care Advice

Important – Please read these instructions fully before starting assembly

- Check you have all the components and tools listed on the following pages.
- Remove all fittings from the plastic bags and separate them into their groups.
- Keep children and animals away from the work area, small parts could choke if swallowed.
- Make sure you have enough space to layout the parts before starting.

- During assembly do not stand or put weight on the product, this could cause damage.
- Assemble the item as close to its final position (in the same room) as possible.
- Assemble on a soft level surface to avoid damaging the unit or your floor.
- Parts of the assembly will be easier with 2 people.



- To reduce the likelihood of damaging your product please ensure that your power drill is set on a low torque setting.

Care and maintenance

- Only clean using a damp cloth and mild detergent, do not use bleach or abrasive cleaners.
- From time to time check that there are no loose screws on this unit.
- This product should not be discarded with household waste. Take to your local authority waste disposal centre.

Handy Hints

- Assemble all parts and bolts loosely during assembly, only once the product is complete should you fully tighten the bolts
- Regularly check and ensure That all bolts and fittings are tightend properly.

WARNING
In order to help prevent overturning – please follow these instructions

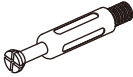

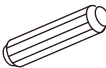

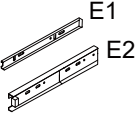
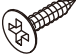


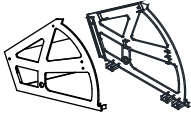



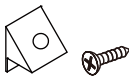
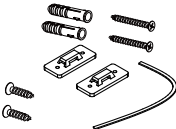

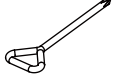
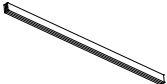
To help prevent product toppling over please follow the below steps:-

- Use the anti tip stap or wall fixing method provided (if applicable)
- Do not allow children to climb or hang on the furniture
- Do not open more than one drawer at a time
- Do not place heavy items in the top drawers
- Do not place heavy items on top of the furniture, unless the furniture has been designed for this purpose

Components-Fittings

Please check you have all the panels listed below

Note: The quantities below are the correct amount to complete the assembly. In some cases more fittings may be supplied than are required.

<p>(A)</p>  <p>Cam Bolt x 30+2</p>	<p>(B)</p>  <p>Cam Lock x 30+2</p>	<p>(C)</p>  <p>8*30mm Dowel x 4+1</p>	<p>(D)</p>  <p>Shake hands x 6+1</p>
<p>(E)</p>  <p>200mm Drawer slide x 1</p>	<p>(F)</p>  <p>3.5*14mm Screw x 32+2</p>	<p>(G)</p>  <p>3.5*40mm Screw x 4+1</p>	<p>(H)</p>  <p>4*11mm Screw x 4+1</p>
<p>(J)</p>  <p>Tipping shoe rack x 2</p>	<p>(K)</p>  <p>Shoe rack stopper x 4+1</p>	<p>(L)</p>  <p>Shoe frame outer pivot x 4+1</p>	<p>(M)</p>  <p>Shoe rack inner pivot x 4+1</p>
<p>(N)</p>  <p>Backboard buckle x 4</p>	<p>(P)</p>  <p>Anti fall component x 2</p>	<p>(Q)</p>  <p>Perfect Fit x 30</p>	<p>(R)</p>  <p>Screwdriver x 1</p>
<p>(S)</p>  <p>Back slats x 1</p>			

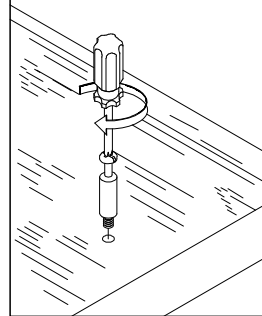
Using Camlocks

Step 1

Connect the male camlock as directed in the assembly instructions using a screwdriver.

1

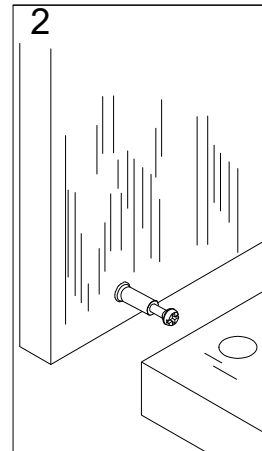
DO NOT OVER TIGHTEN.
NE PAS SERRER EXCESSIVEMENT.



Step 2

Push the male camlock into the entry hole.

2

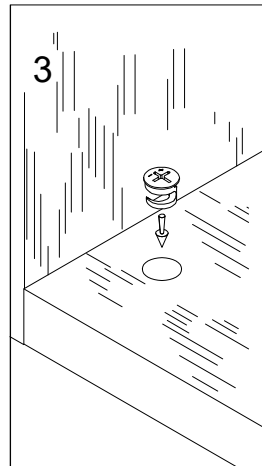


Step 3

Insert the female camlock as shown in the instruction.

Note: ensure that the arrow on the top of the camlock points towards the entry hole for the male camlock.

3



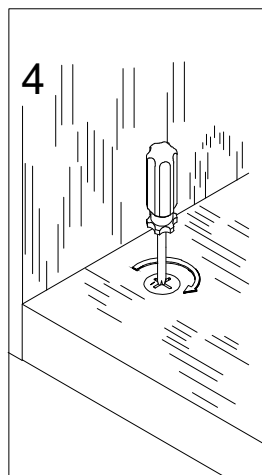
Step 4

Turn the female camlock clockwise with a screwdriver.

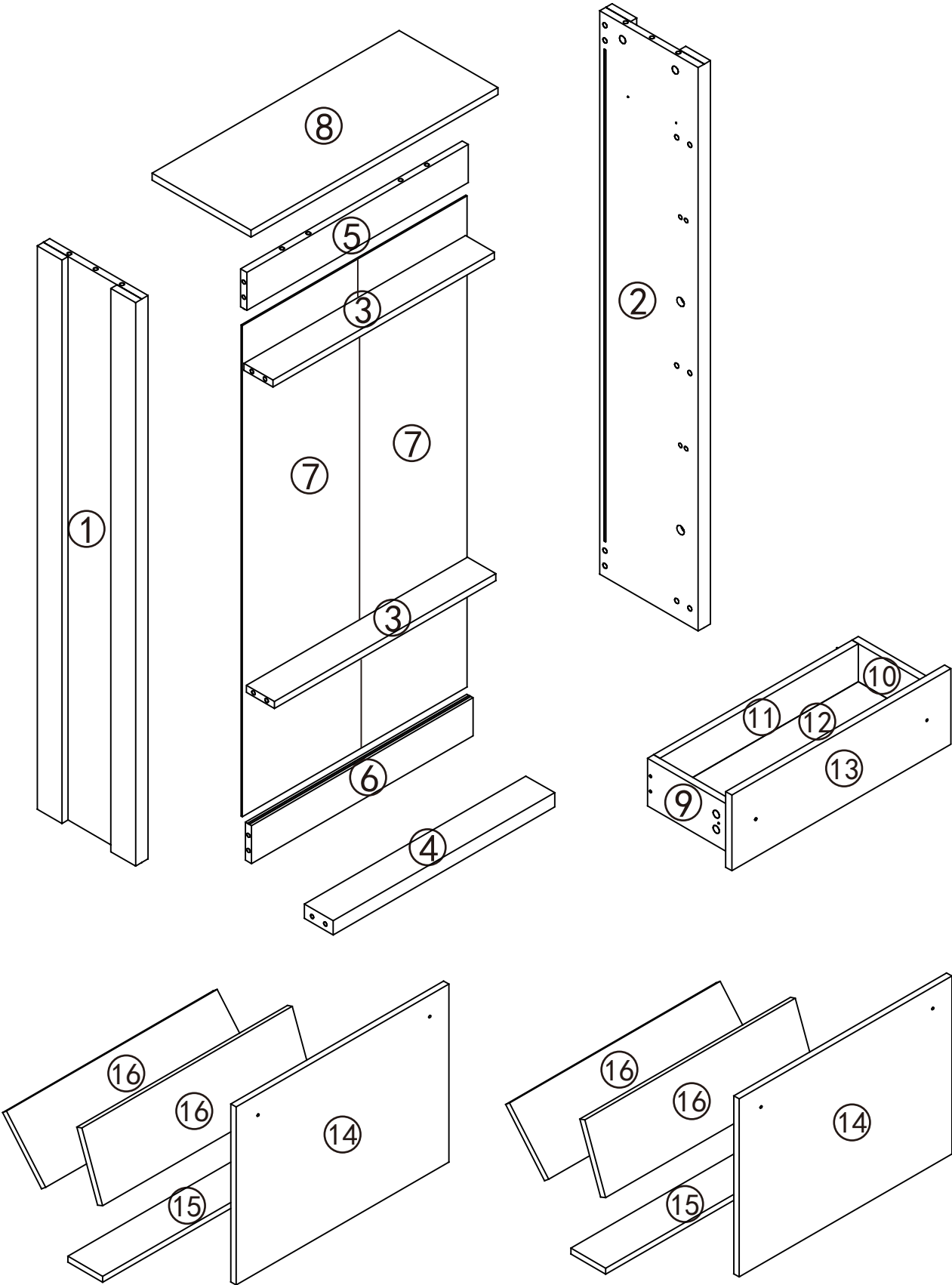
You should feel a click when the camlock is locked in place.

The joint is now secure.

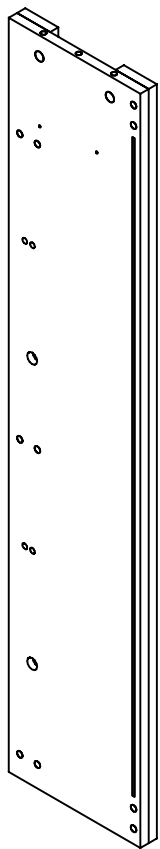
4



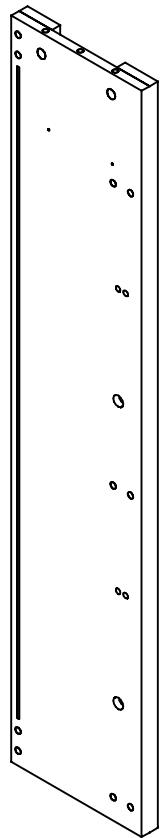
Assembly Instructions



Assembly Instructions



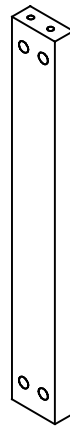
① X1



② X1



③ X2



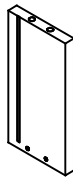
④ X1



⑤ X1



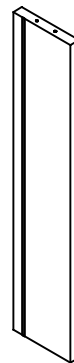
⑥ X1



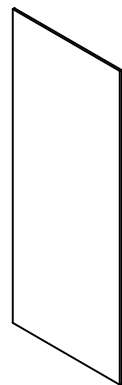
⑨ X1



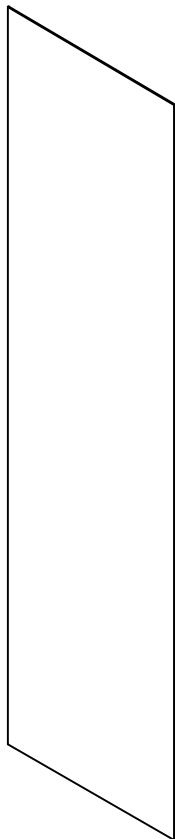
⑩ X1



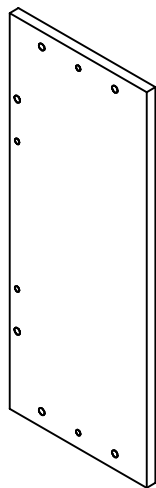
⑪ X1



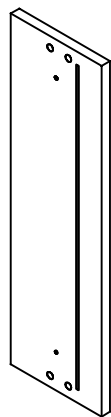
⑫ X1



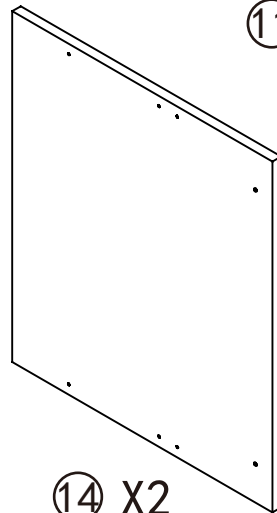
⑦ X2



⑧ X1



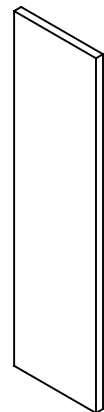
⑬ X1



⑭ X2



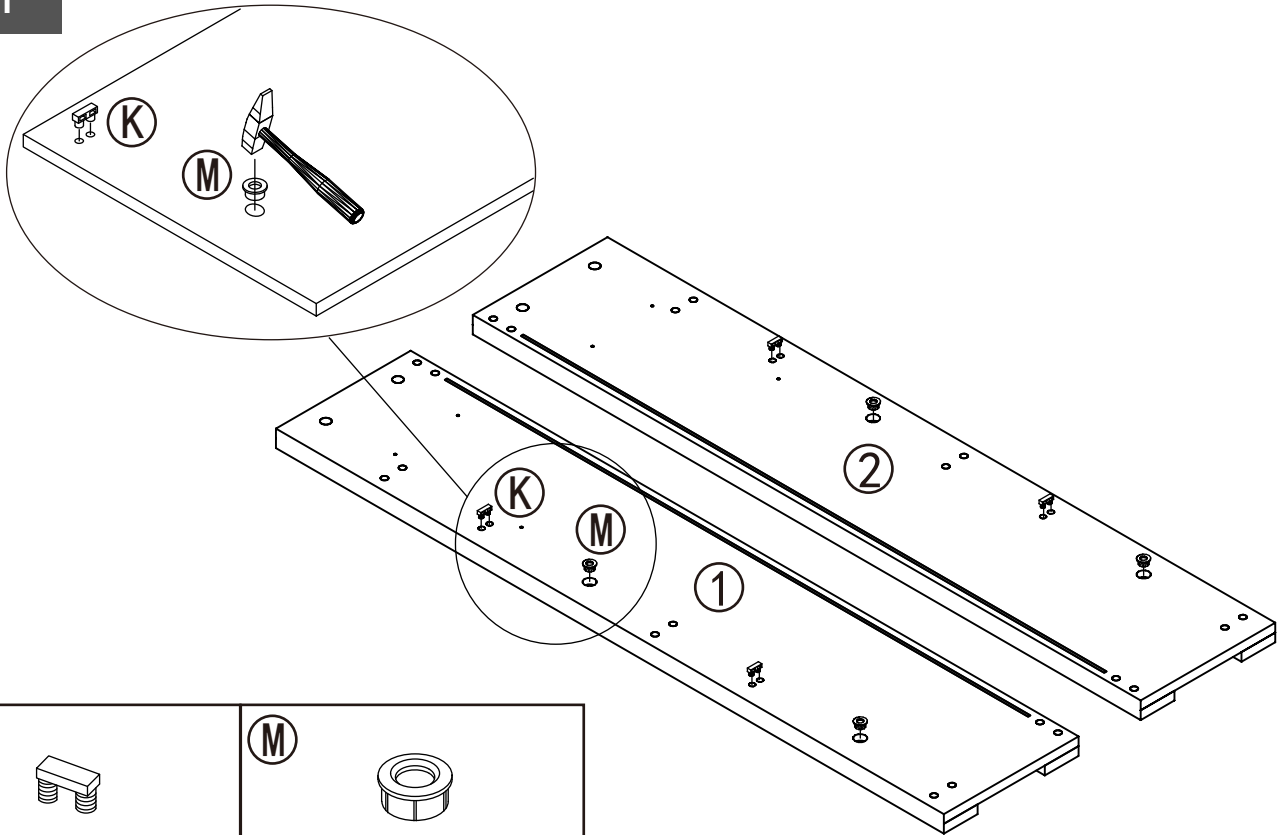
⑮ X2



⑯ X4

Assembly Instructions

Step 1



(K)



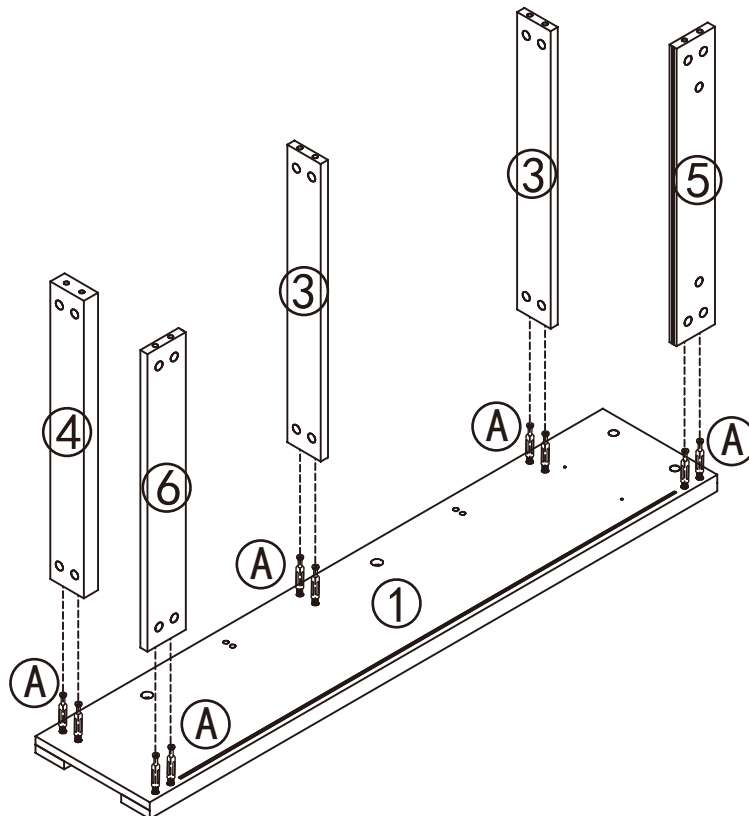
Shoe rack stopper x 4

(M)

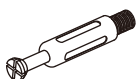


Shoe rack inner pivot x 4

Step 2



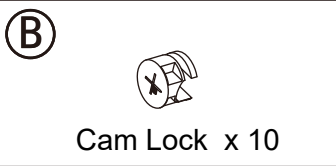
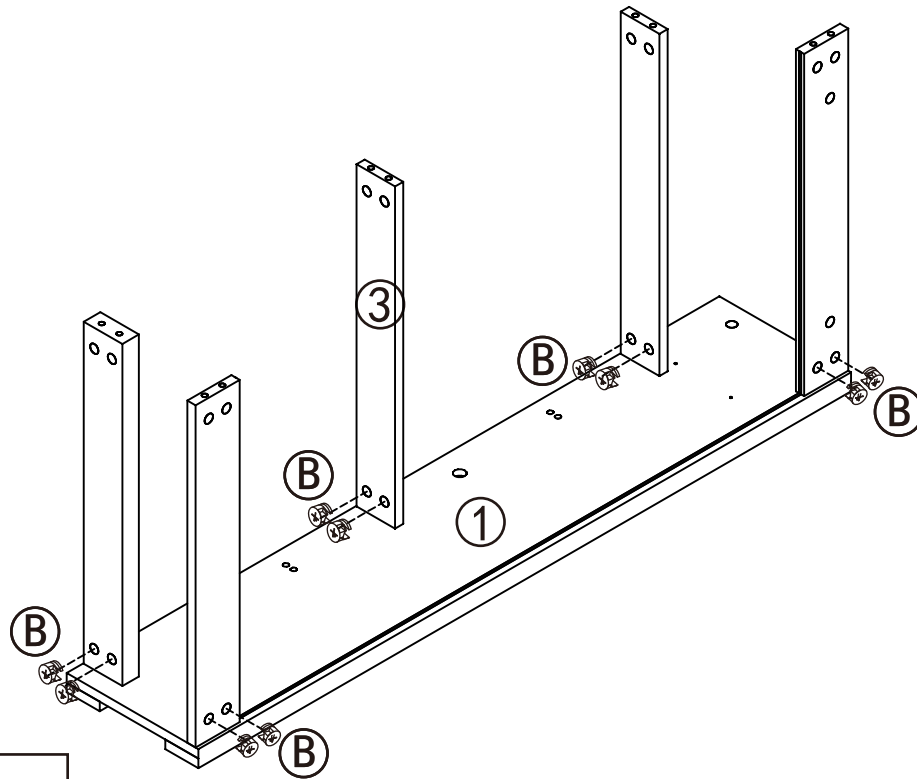
(A)



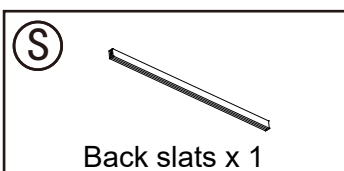
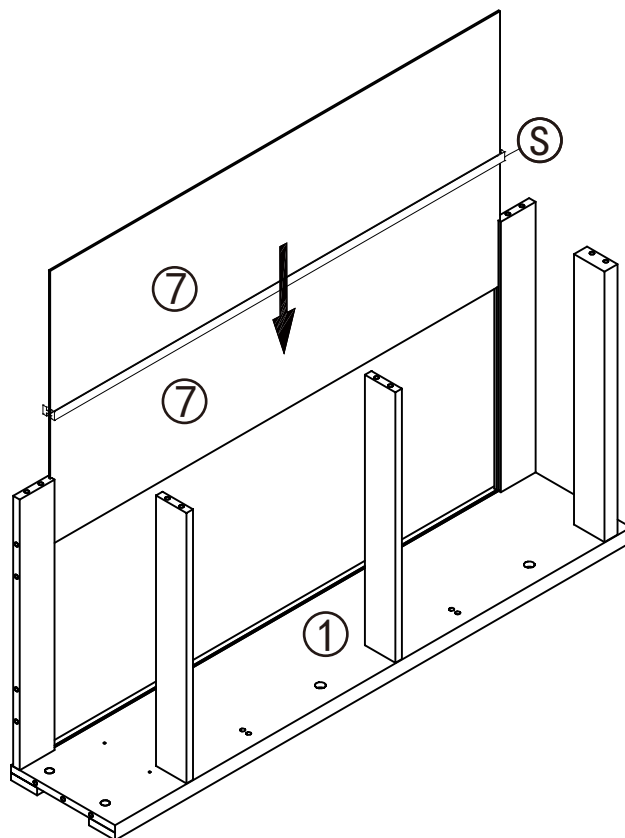
Cam Bolt x 10

Assembly Instructions

Step 3

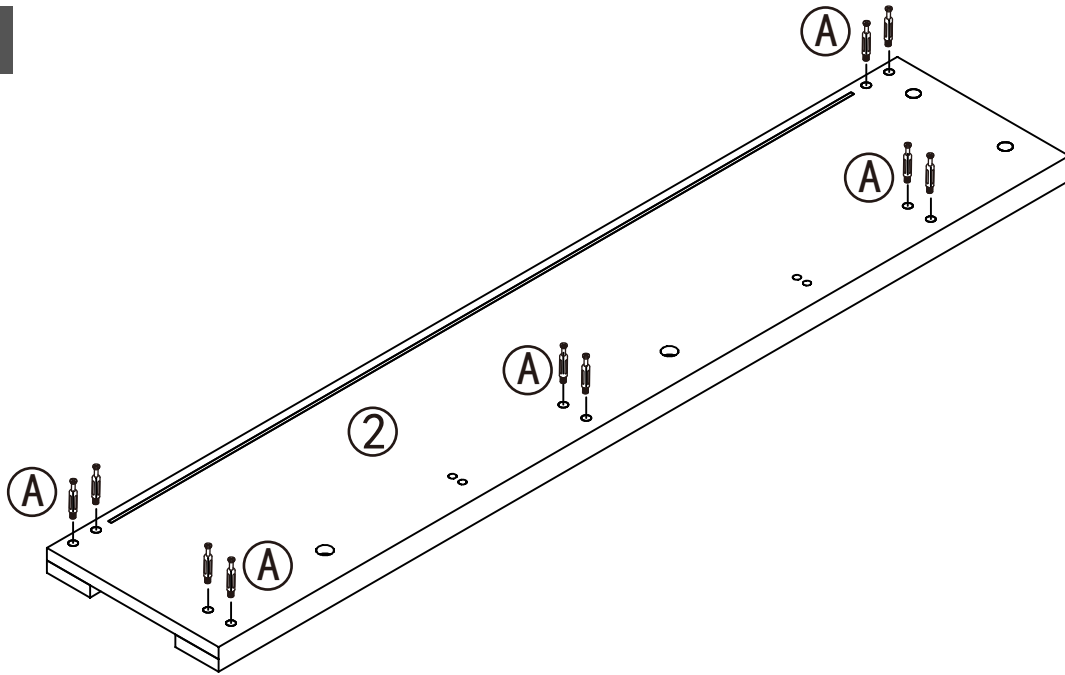


Step 4

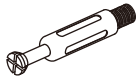


Assembly Instructions

Step 5

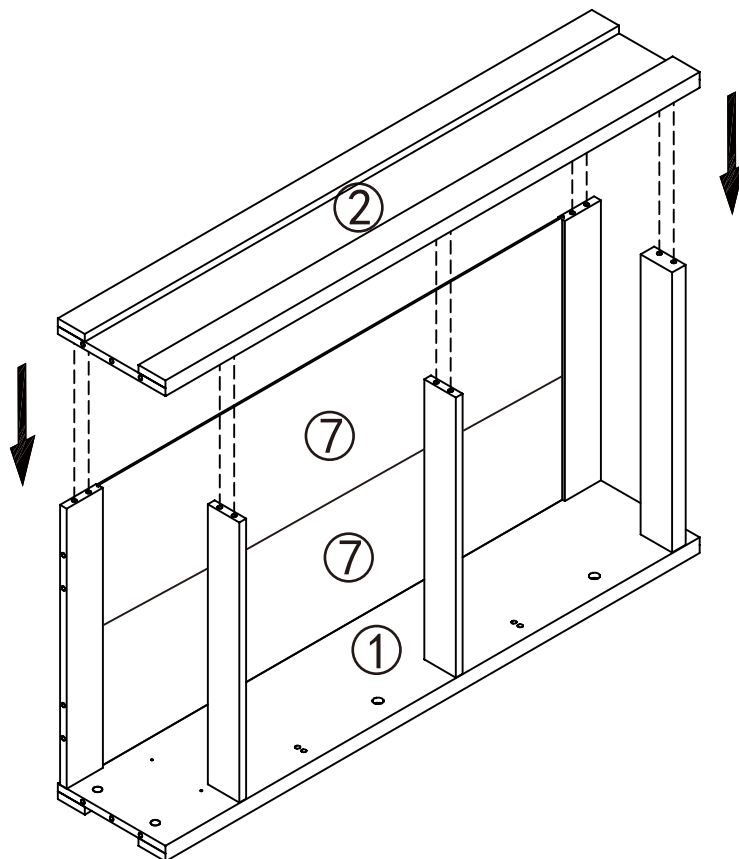


A



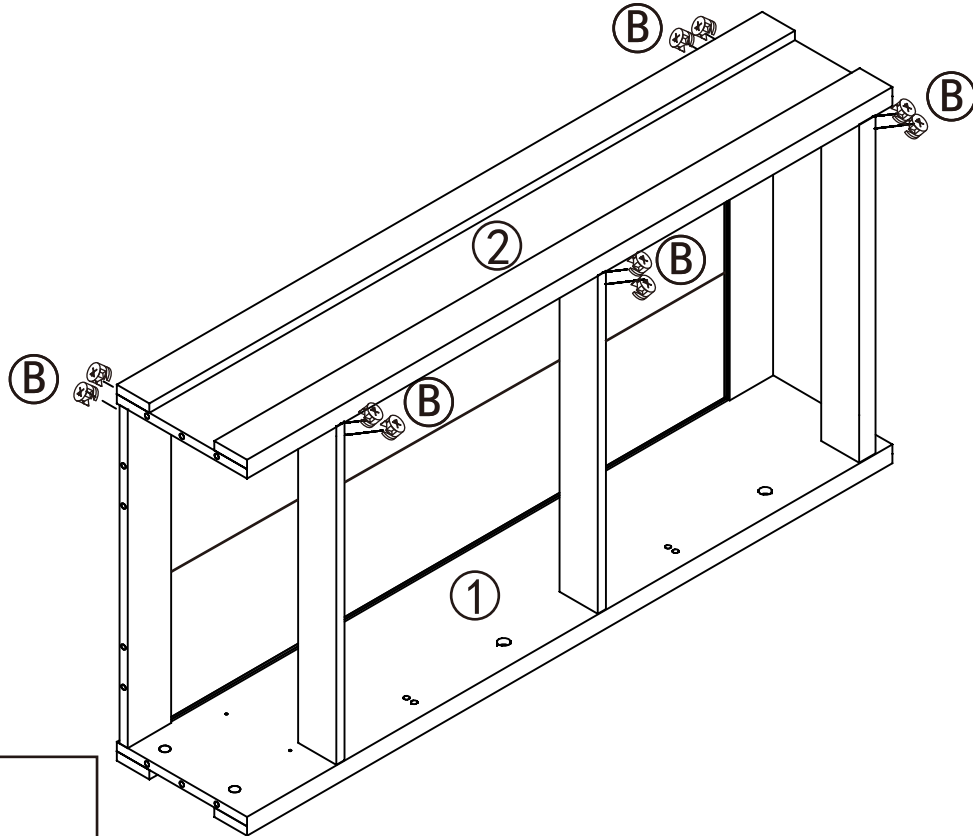
Cam Bolt x 10

Step 6



Assembly Instructions

Step 7

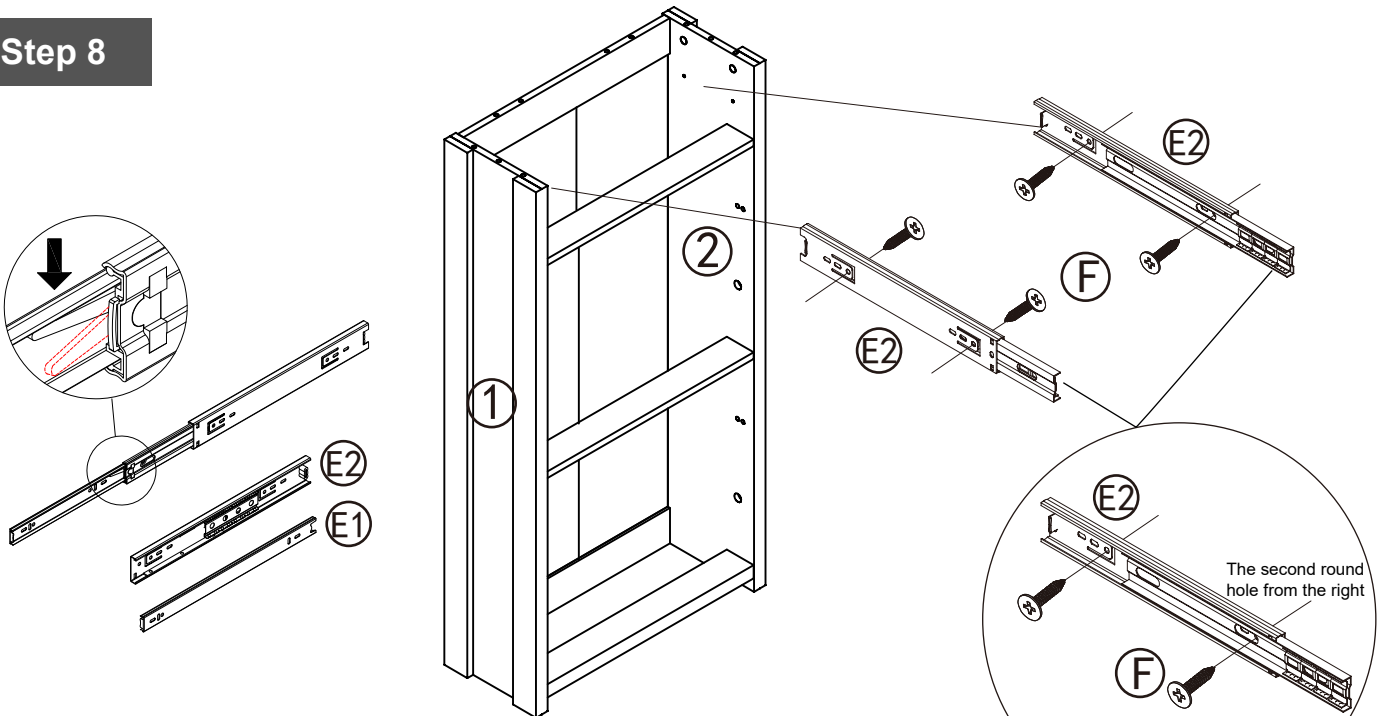


(B)

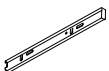


Cam Lock x 10

Step 8



(E2)



200mm Drawer slide x 2

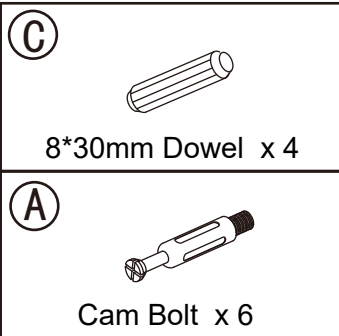
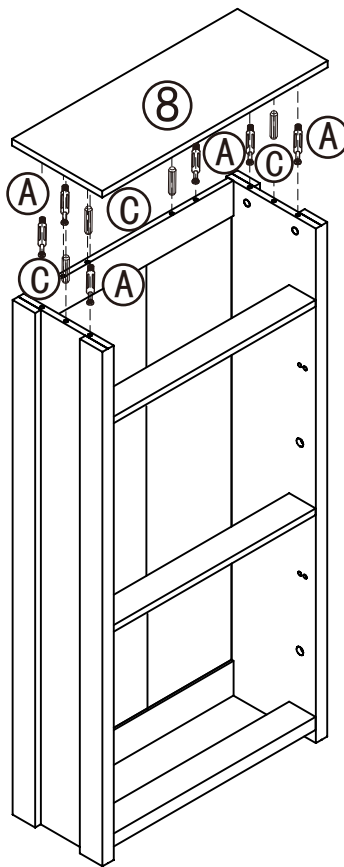
(F)



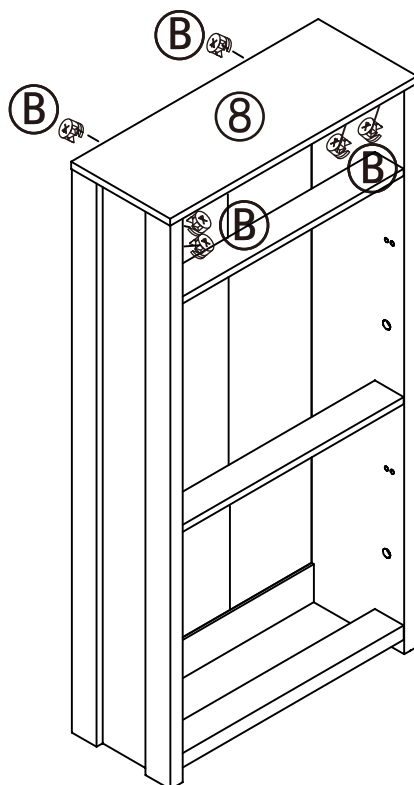
3.5*14mm Screw x 4

Assembly Instructions

Step 9

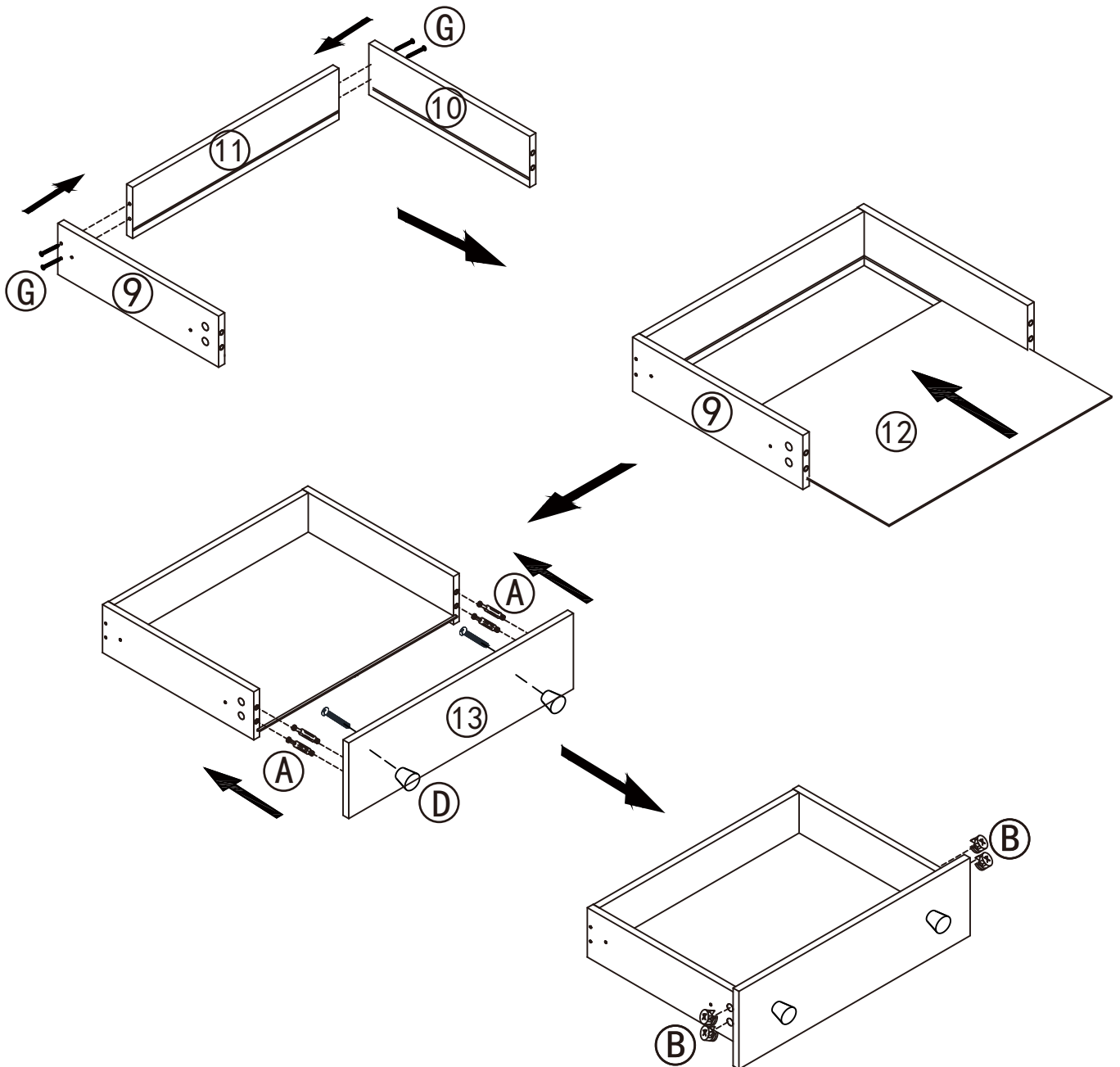


Step 10

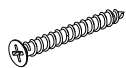


Assembly Instructions

Step 11

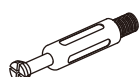


(G)



3.5*40mm Screw x 4

(A)



Cam Bolt x 4

(B)



Cam Lock x 4

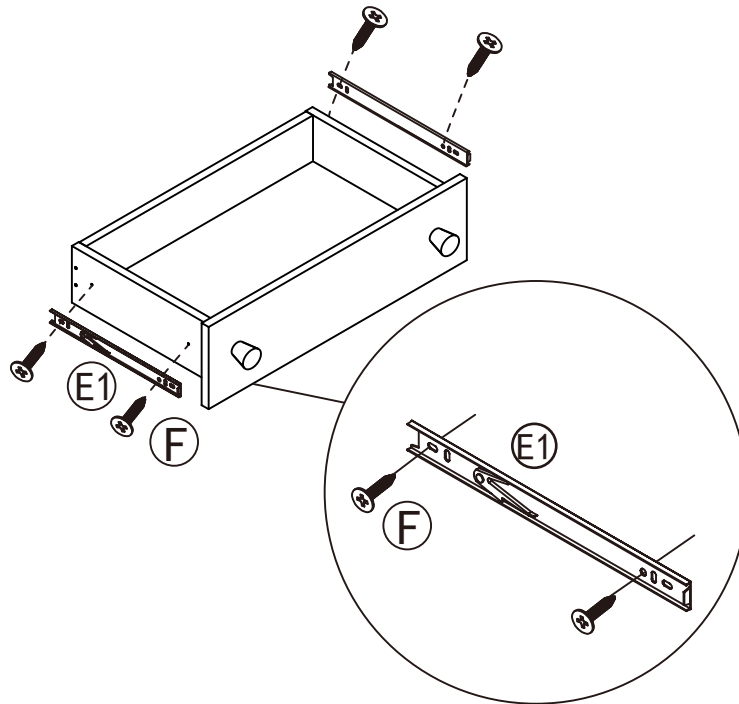
(D)

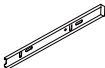



Shake hands x 2

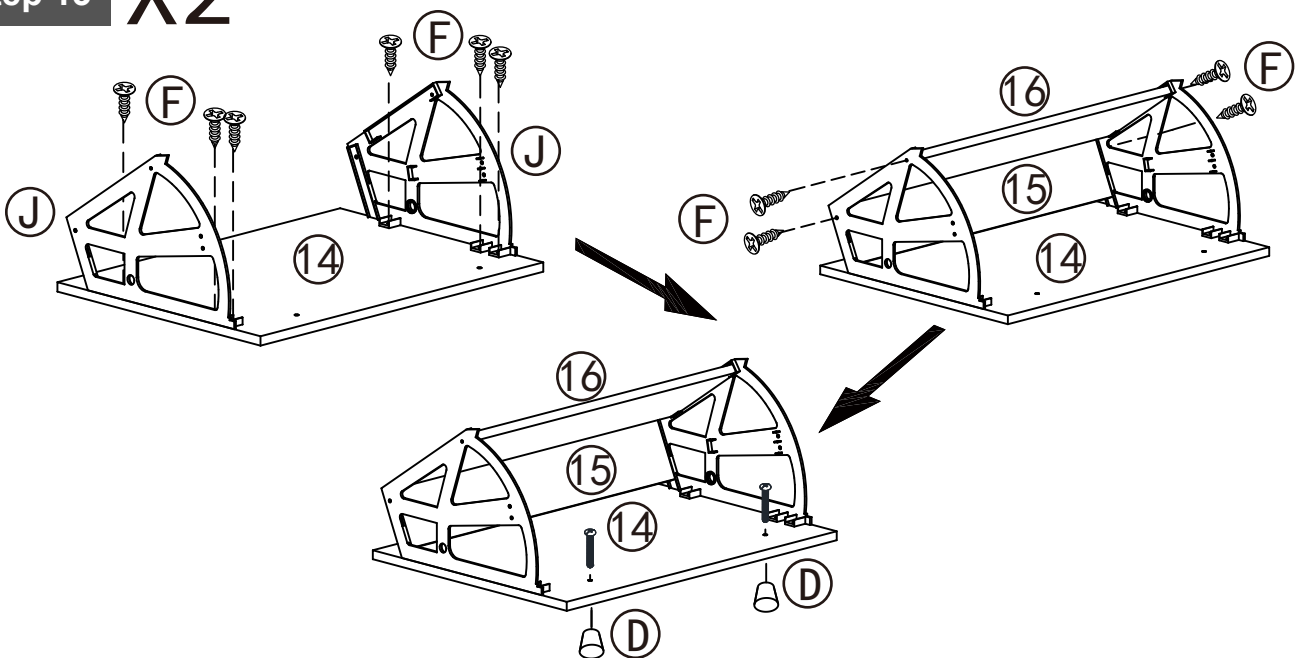
Assembly Instructions



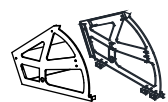
Step 12



<p>(E1)</p>  <p>200mm Drawer slide x 2</p>	<p>(F)</p>  <p>3.5*14mm Screw x 4</p>
--------------------------------------------------------------------------------------------------------------------------------------	---------------------------------------------------------------------------------------------------------------------------------

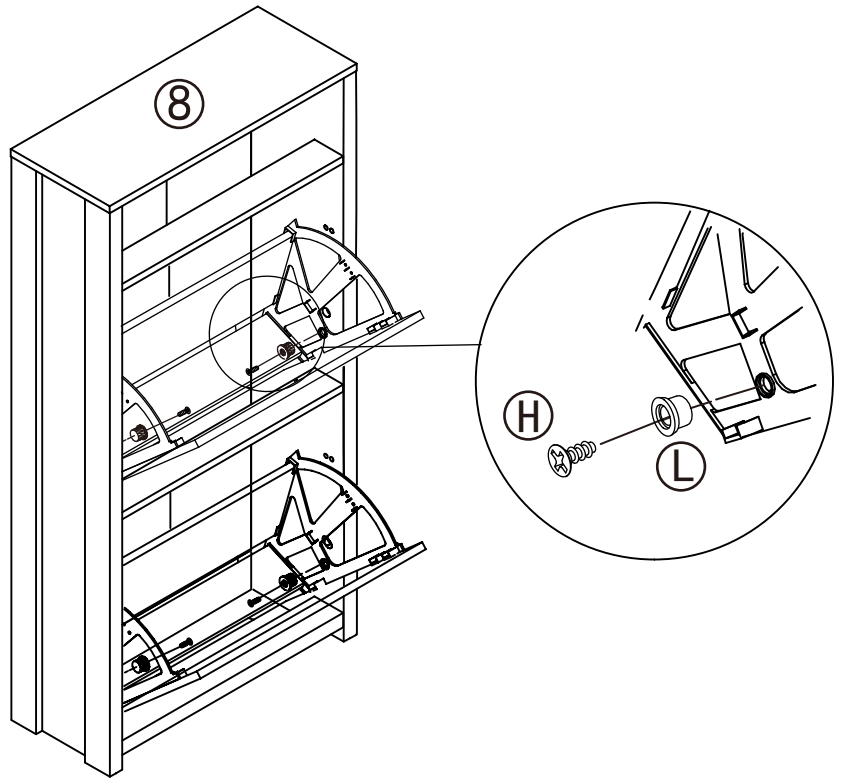
Step 13 X2



<p>(D)</p>  <p>Shake hands x 4</p>	<p>(F)</p>  <p>3.5*14mm Screw x 20</p>	<p>(J)</p>  <p>Tipping shoe rack x 2</p>
------------------------------------------------------------------------------------------------------------------------------	----------------------------------------------------------------------------------------------------------------------------------	-------------------------------------------------------------------------------------------------------------------------------------

Assembly Instructions

Step 14



(L)



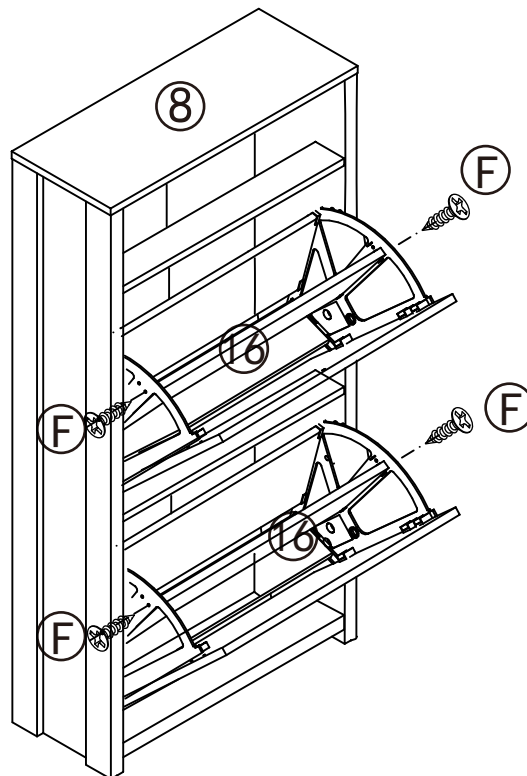
Shoe frame outer pivot x 4

(H)



4*11mm Screw x 4

Step 15



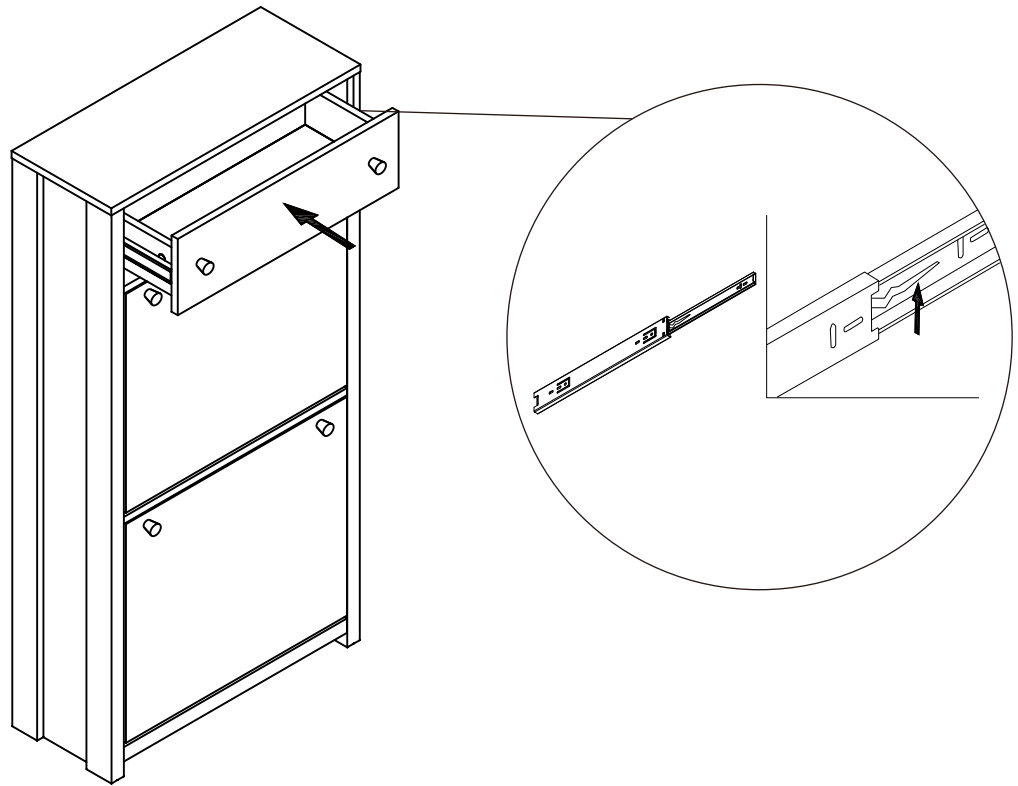
(F)



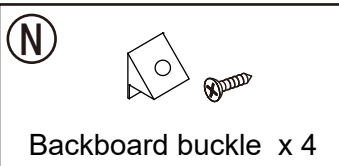
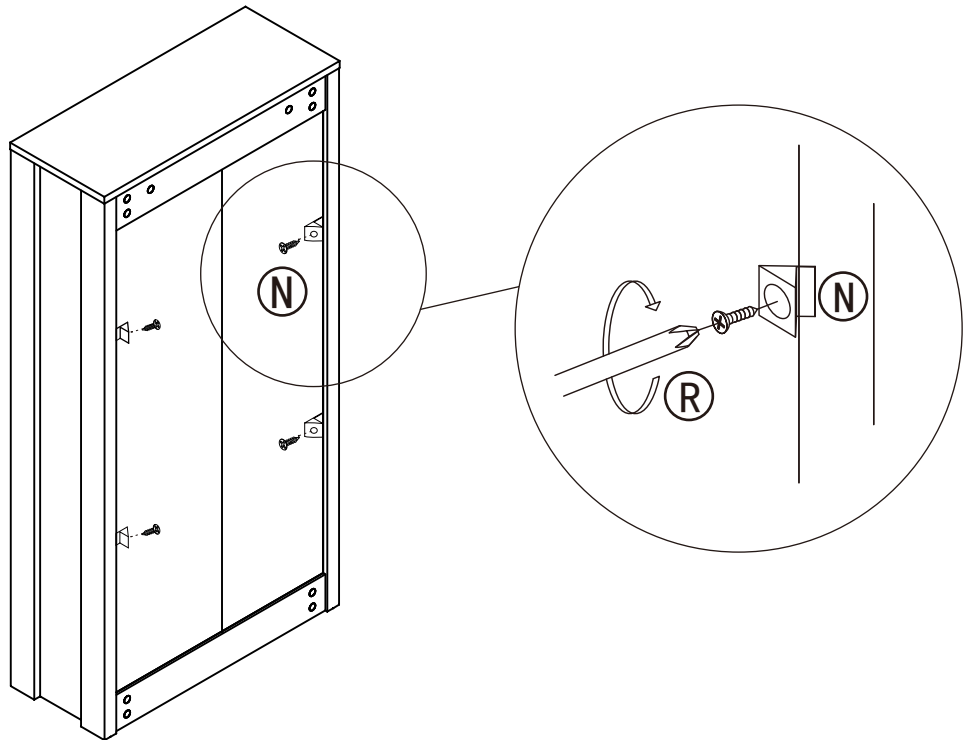
3.5*14mm Screw x 4

Assembly Instructions

Step 16

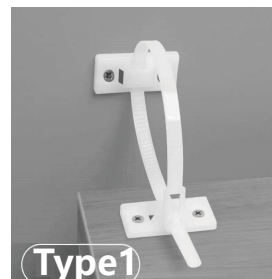
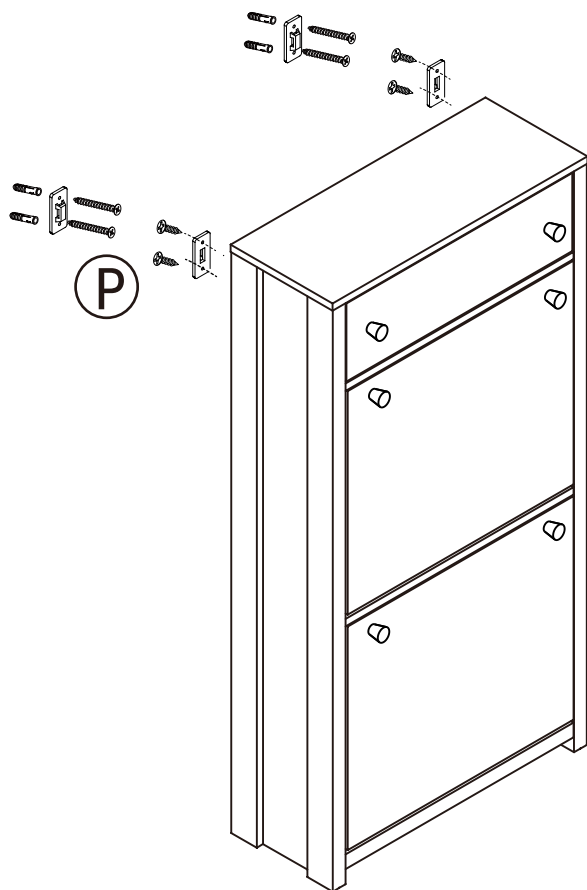


Step 17



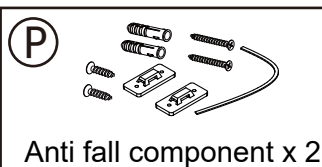
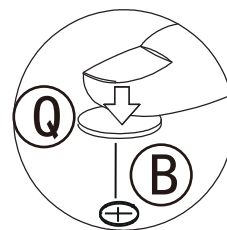
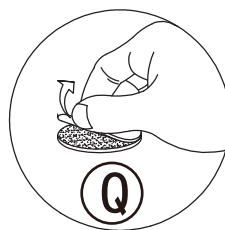
Assembly Instructions

Step 18



This is anti-dumping belt that fix the product to the wall and it can be used or not follow your needs.

If it is a solid wall, please use expansion and self-tapping screws, if it is a wooden wall, only use self-tapping screws, please do not overtighten the screws.



Assembly Instructions

Step 19

