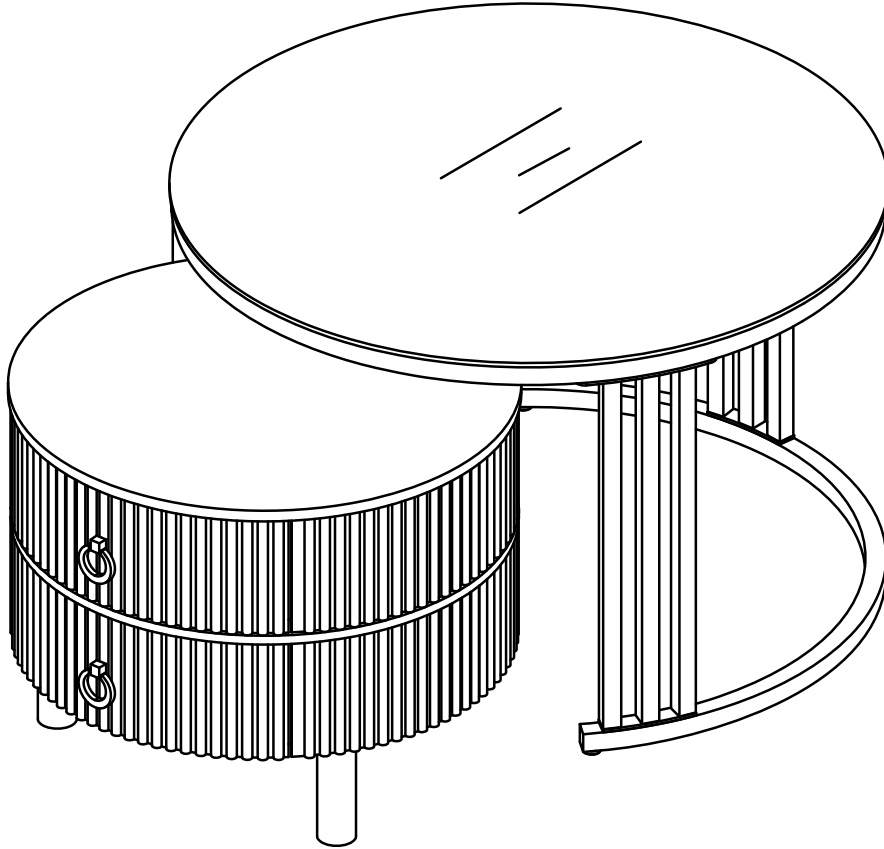


COFFEE TABLE

Assembly Instructions - Please keep for future reference



Dimensions

Width-27.56inch
Depth-27.56inch
Height-17.52inch

Dimensions

Width-19.68inch
Depth-19.68inch
Height-15.75inch

Important – Please read these instructions fully before starting assembly



Safety and Care Advice

Important – Please read these instructions fully before starting assembly

- Check you have all the components and tools listed on the following pages.
- Remove all fittings from the plastic bags and separate them into their groups.
- Keep children and animals away from the work area, small parts could choke if swallowed.
- Make sure you have enough space to layout the parts before starting.

- During assembly do not stand or put weight on the product, this could cause damage.
- Assemble the item as close to its final position (in the same room) as possible.
- Assemble on a soft level surface to avoid damaging the unit or your floor.
- Parts of the assembly will be easier with 2 people.



power drill is set on a low torque setting.

- To reduce the likelihood of damaging your product please ensure that your

Care and maintenance

- Only clean using a damp cloth and mild detergent, do not use bleach or abrasive cleaners.
- From time to time check that there are no loose screws on this unit.
- This product should not be discarded with household waste. Take to your local authority waste disposal centre.

Handy Hints

- Assemble all parts and bolts loosely during assembly, only once the product is complete should you fully tighten the bolts
- Regularly check and ensure That all bolts and fittings are tightend properly.

WARNING
In order to help prevent overturning – please follow these instructions






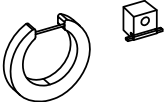


To help prevent product toppling over please follow the below steps:-

- Use the anti tip stap or wall fixing method provided (if applicable)
- Do not allow children to climb or hang on the furniture
- Do not open more than one drawer at a time
- Do not place heavy items in the top drawers
- Do not place heavy items on top of the furniture, unless the furniture has been designed for this purpose

Components - Fittings

Please check you have all the panels listed below

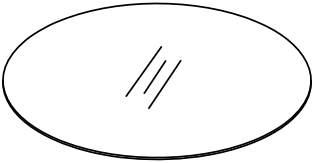
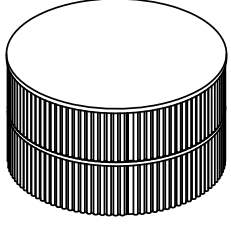
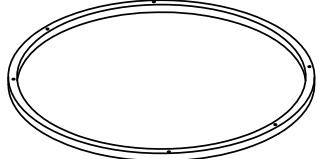

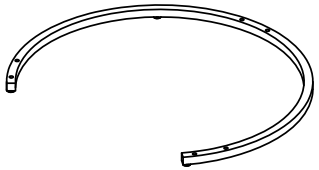
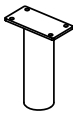
Note: The quantities below are the correct amount to complete the assembly. In some cases more fittings may be supplied than are required.

			
M4 A x1	M6*10mm B x6 +1	M6*30mm C x6 +1	M8*12mm D x12 +2
			
E x6 +1	F x2	M4*23mm G x2 +1	M5 H x1

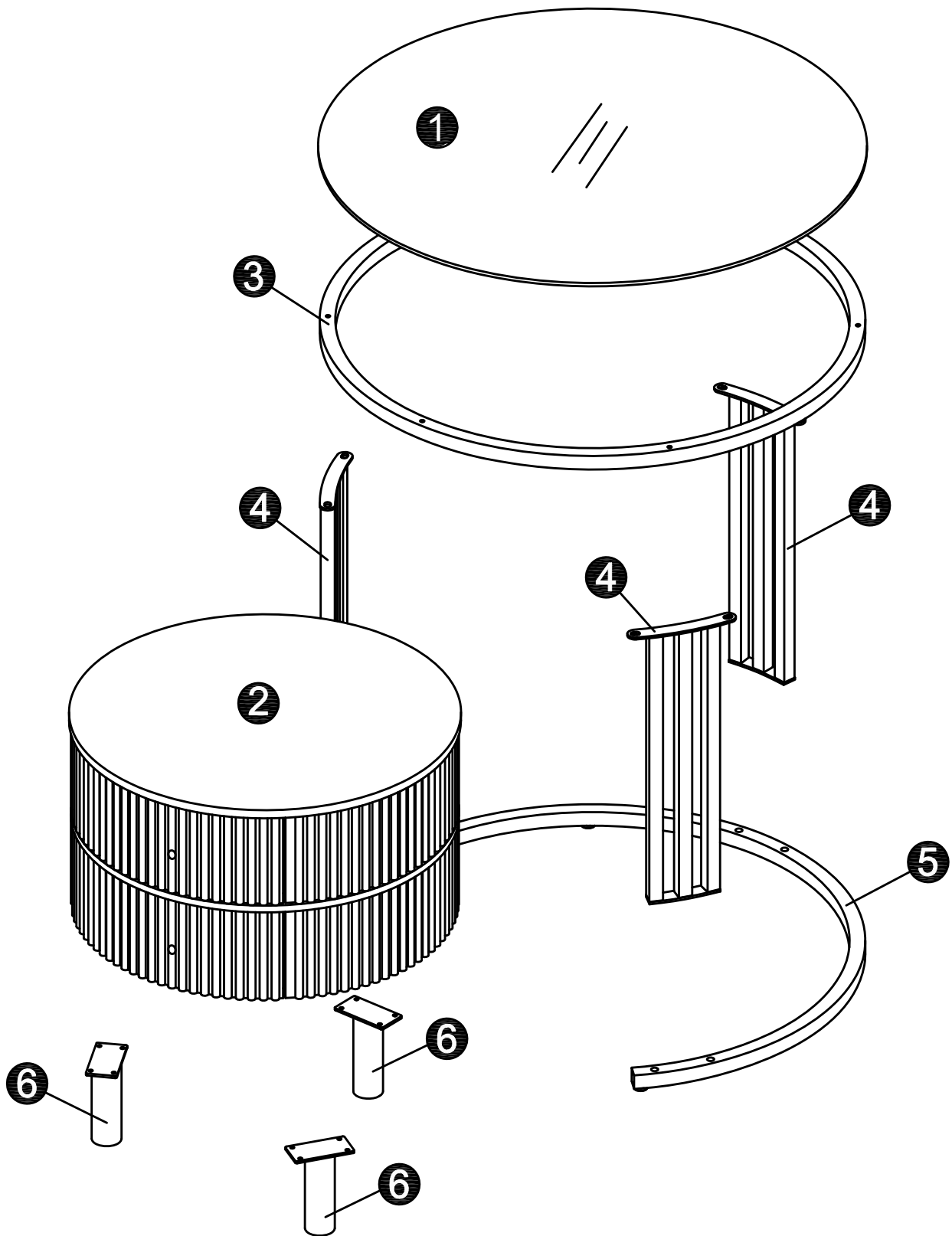
Tools required



Hexagon wrench

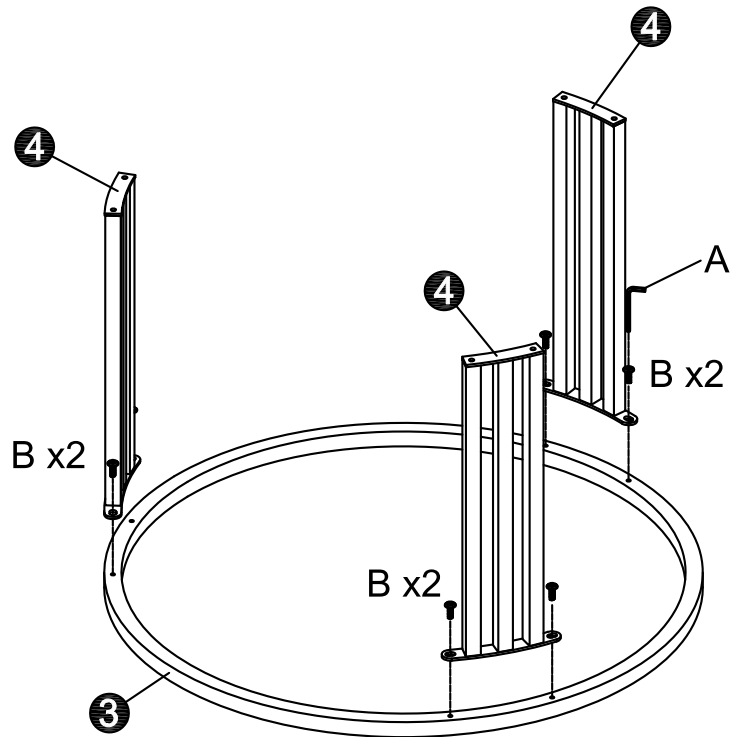
		
27.56*27.56*0.20inch ① x1PC	19.69*19.69*11.02inch ② x1PC	27.40*27.40*0.79inch ③ x1PC
		
15.55*5.75*1.02inch ④ x3PCS	27.40*22.72*0.79inch ⑤ x1PC	4.61*3.15*1.50inch ⑥ x3PCS



Assembly Instructions



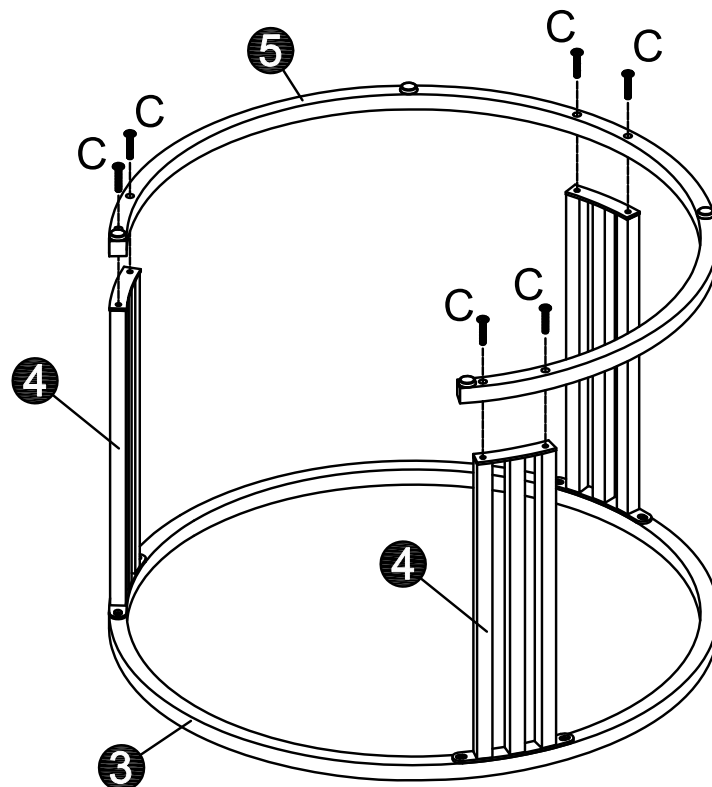
Assembly Instructions

Step 1




- | | | |
|---|---|------|
| A |  | 1PC |
| B |  | 6PCS |

Step 2

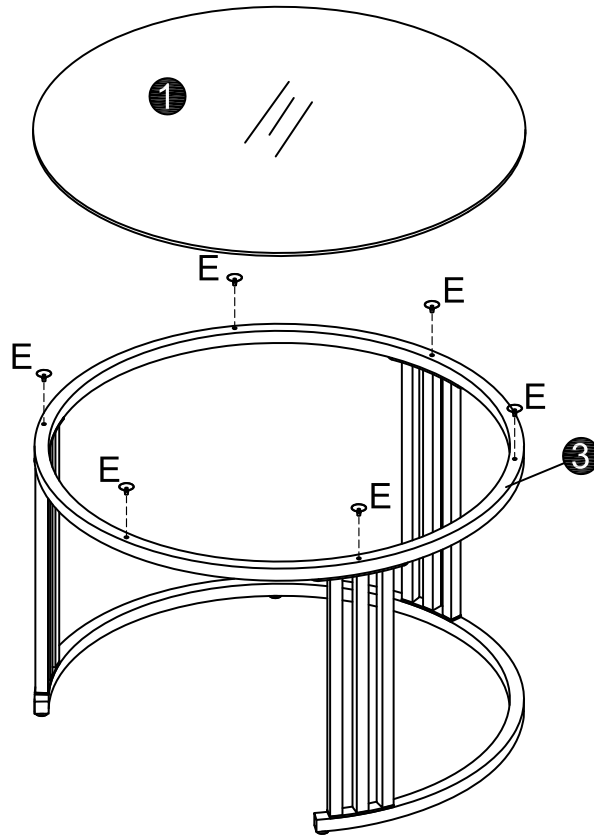



After assembling this step, flip it over to the third step, Placing glass

- | | | |
|---|---|------|
| C |  | 6PCS |
|---|---|------|

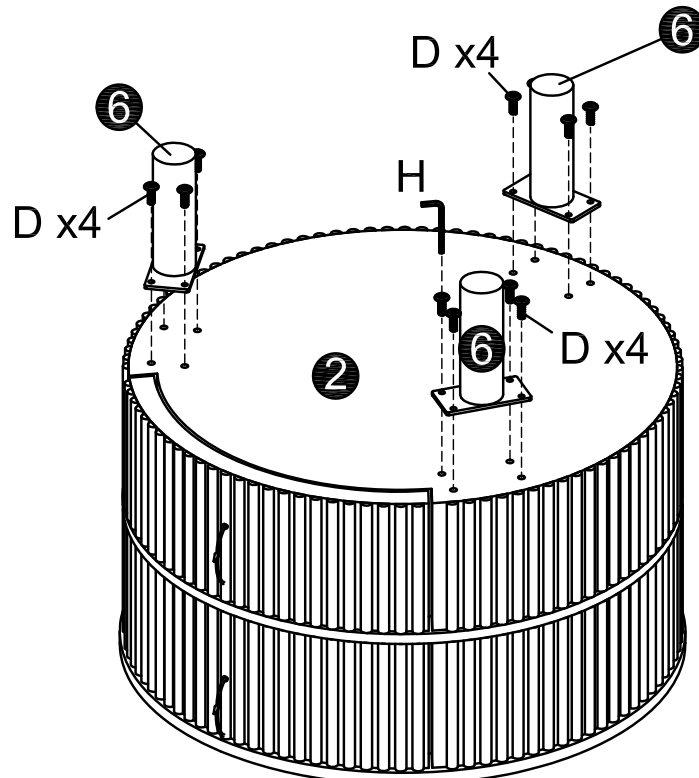
Assembly Instructions



Step 3



E  6PCS

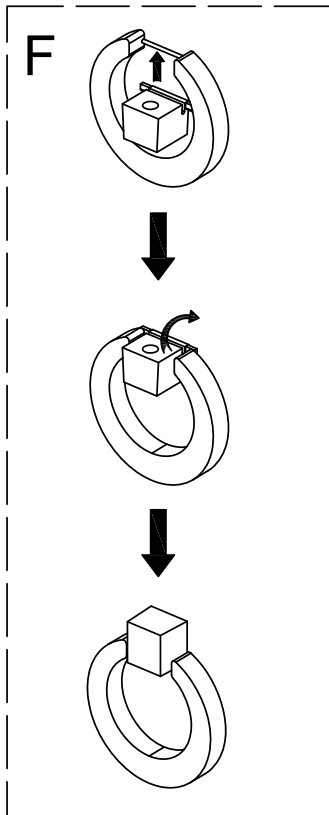
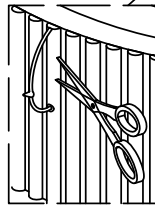
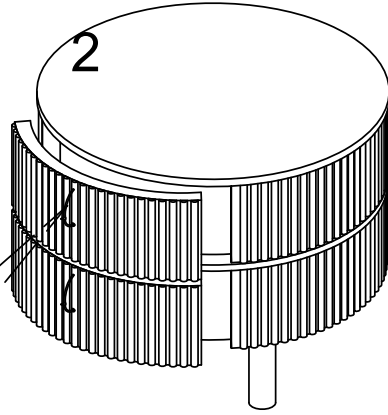
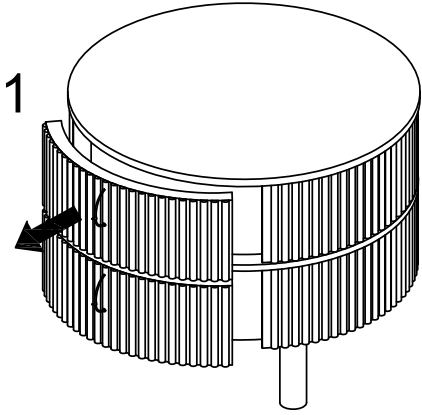
Step 4



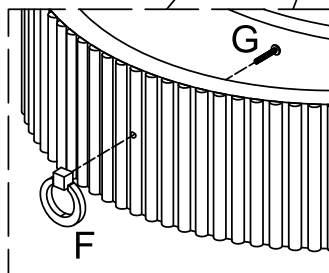
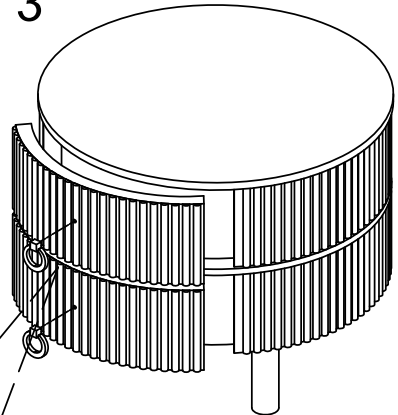
D  12PCS
H  1PC



Assembly Instructions

Step 5



3



F  2PCS
G  2PCS

