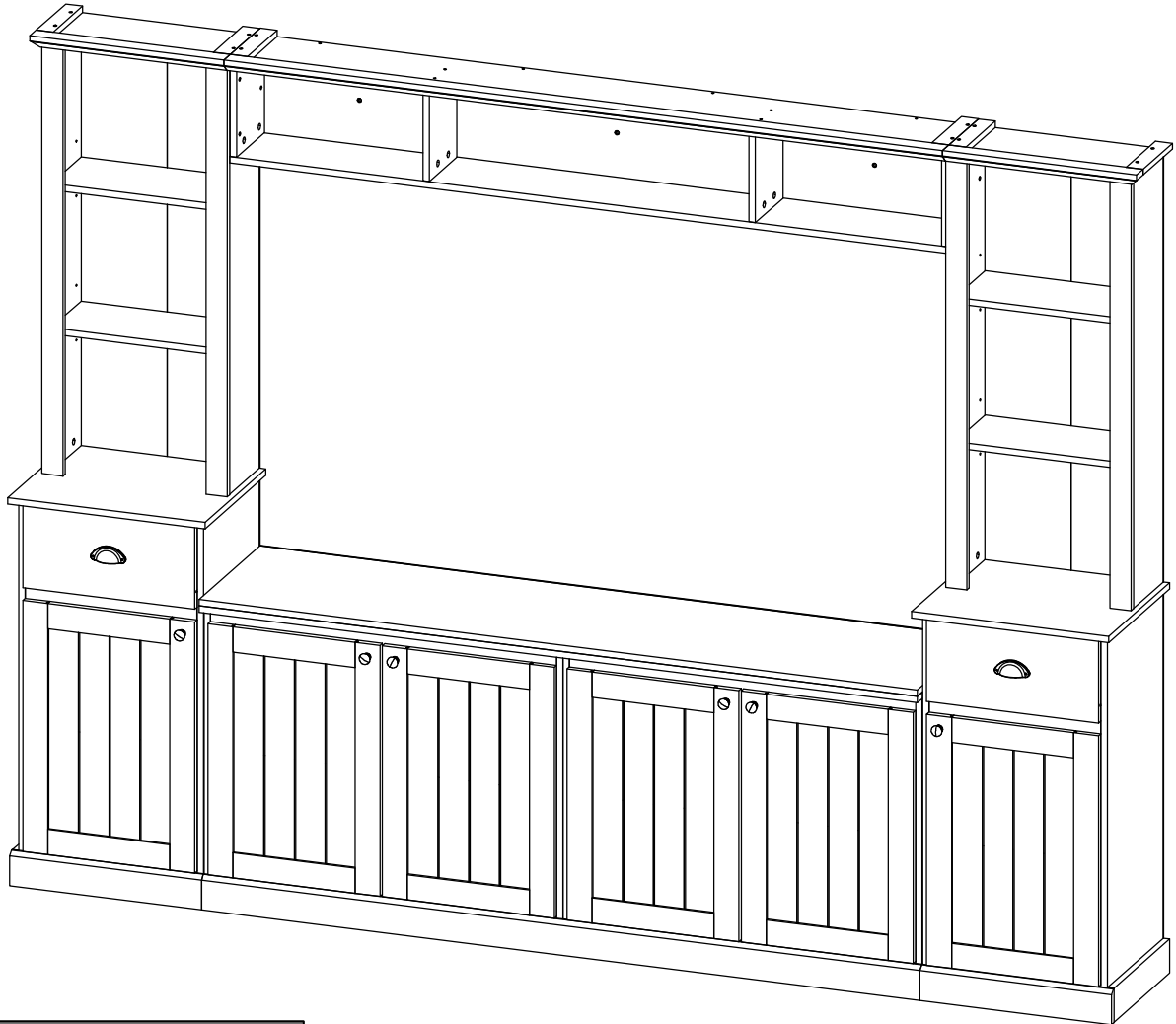


TV STAND

Assembly Instructions - Please keep for future reference



Dimensions

Width-102.91inch

Depth-14.96inch

Height-76.77inch

Important – Please read these instructions fully before starting assembly



Safety and Care Advice

Important – Please read these instructions fully before starting assembly

- Check you have all the components and tools listed on the following pages.
- Remove all fittings from the plastic bags and separate them into their groups.
- Keep children and animals away from the work area, small parts could choke if swallowed.
- Make sure you have enough space to layout the parts before starting.

- During assembly do not stand or put weight on the product, this could cause damage.
- Assemble the item as close to its final position (in the same room) as possible.
- Assemble on a soft level surface to avoid damaging the unit or your floor.
- Parts of the assembly will be easier with 2 people.



- To reduce the likelihood of damaging your product please ensure that your power drill is set on a low torque setting.

Care and maintenance

- Only clean using a damp cloth and mild detergent, do not use bleach or abrasive cleaners.
- From time to time check that there are no loose screws on this unit.
- This product should not be discarded with household waste. Take to your local authority waste disposal centre.

Handy Hints

- Assemble all parts and bolts loosely during assembly, only once the product is complete should you fully tighten the bolts
- Regularly check and ensure that all bolts and fittings are tightend properly.

WARNING
In order to help prevent overturning – please follow these instructions


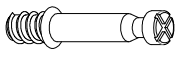
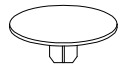



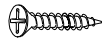


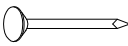

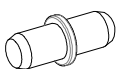
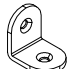


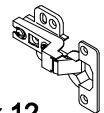



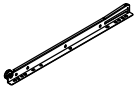

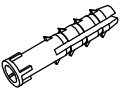



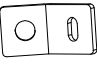

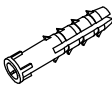
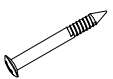
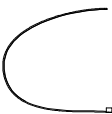
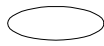
To help prevent product toppling over please follow the below steps:-

- Use the anti tip stap or wall fixing method provided (if applicable)
- Do not allow children to climb or hang on the furniture
- Do not open more than one drawer at a time
- Do not place heavy items in the top drawers
- Do not place heavy items on top of the furniture, unless the furniture has been designed for this purpose

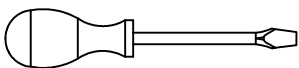
Components - Fittings

Please check you have all the panels listed below

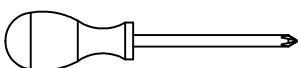
Note: The quantities below are the correct amount to complete the assembly. In some cases more fittings may be supplied than are required.

A1  Cam lock x 70+2	A2  Cam bolt x 70+2	A3  Cam cap x 70+2	B  8*30mm Dowel x 96+2
C  6*50mm Screw x 24+2	D  Allen key x 1+1	E  3.5*16mm Screw x 4+2	F  3.5*16mm Screw x 116+2
G  4*38mm Screw x 8+2	H  16mm Nail x 92+2	I  Nail leg x 14+2	J  Metal shelf support x 32+2
K  L bracket x 10	L1  6*12mm Joint nut x 12	L2  6*20mm Screw x 12	M  Hinges x 12
N1L  300mm runner x 2	N1R  300mm runner x 2	N2L  300mm runner x 2	N2R  300mm runner x 2
O1  4*35mm Screw x 3	O2  6*50mm Wall plug x 3	P  4*19mm Screw x 6+2	Q  Handle x 6
R  Handle x 2	S1  Wall support x 4	S2  3.5*16mm Screw x 2	S3  6*40mm Wall plug x 2
S4  4*35mm Screw x 2	S5  Cable tie x 2	T  Sticker x 39	

Tools required



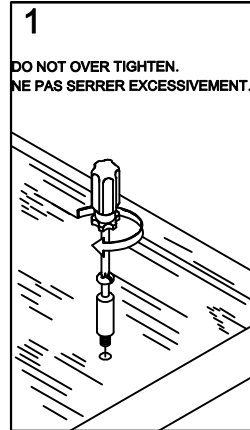
Philips screwdriver
(medium & large)



Using Camlocks

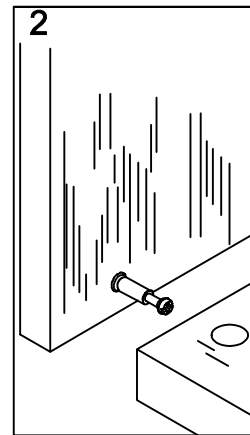
Step 1

Connect the male camlock as directed in the assembly instructions using a screwdriver.



Step 2

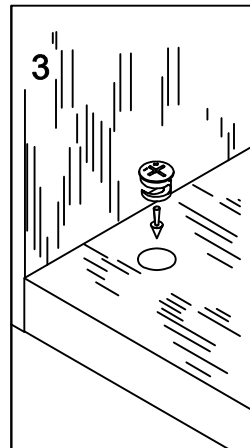
Push the male camlock into the entry hole.



Step 3

Insert the female camlock as shown in the instruction.

Note: ensure that the arrow on the top of the camlock points towards the entry hole for the male camlock.

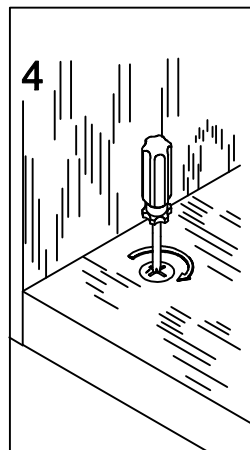


Step 4

Turn the female camlock clockwise with a screwdriver.

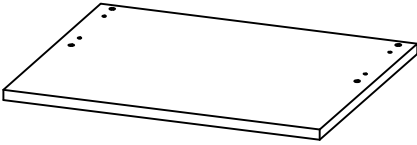
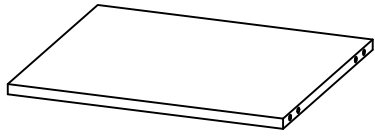
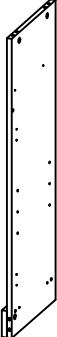
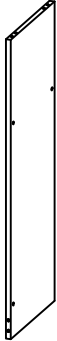
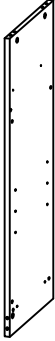

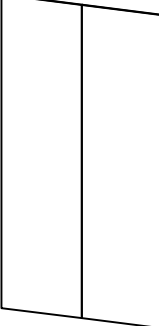

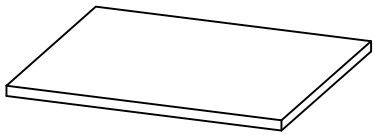


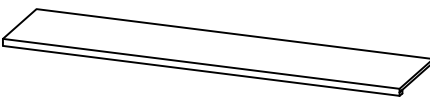
You should feel a click when the camlock is locked in place.

The joint is now secure.



Components - Parts


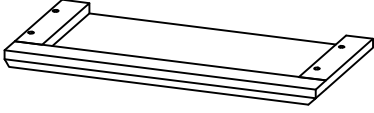



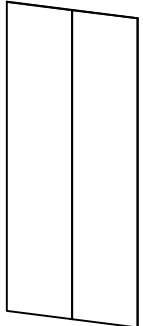

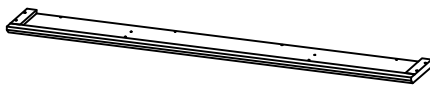

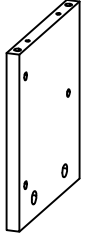
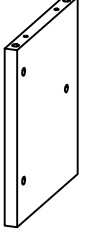
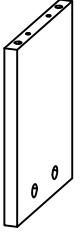
Please check you have all the panels listed below

<p>①</p> 	<p>②</p> 	<p>③</p> 
<p>Top Panel (L&R) 466*380*15 2 PCS</p>	<p>Bottom Panel (L&R) 405*350*15 2 PCS</p>	<p>Side Panel (L1) 900*350*30 1 PC</p>
<p>④</p> 	<p>⑤</p> 	<p>⑥</p> 
<p>Side Panel (R1) 900*350*15 1 PC</p>	<p>Side Panel (L2) 900*350*15 1 PC</p>	<p>Side Panel (R2) 900*350*30 1 PC</p>
<p>⑦</p> 	<p>⑧</p> 	<p>⑨</p> 
<p>Back Panel (L&R) 842*436*2.5 2 PCS</p>	<p>Front Bone (L&R) 405*50*15 2 PCS</p>	<p>Shelf Panel (L&R) 405*349*15 2 PCS</p>
<p>⑩</p> 	<p>⑪</p> 	<p>⑫</p> 
<p>Leg Panel (L) 453*80*15 1 PC</p>	<p>Leg Panel (R) 453*80*15 1 PC</p>	<p>Top Panel (Center) 1696*380*30 1 PC</p>

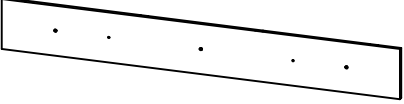
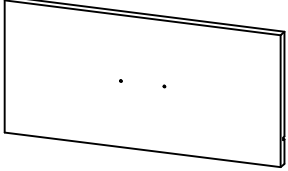
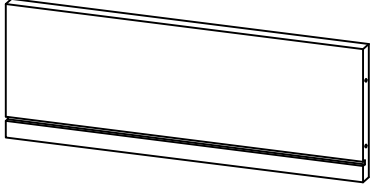
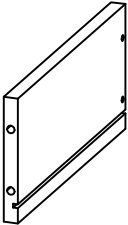
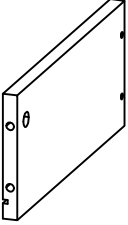
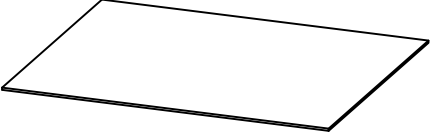
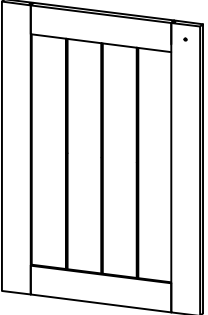
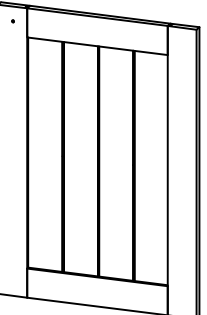
Components - Parts

<p>⑬</p>	<p>⑭</p>	<p>⑮</p>
<p>Bottom Panel (Center) 1664*350*15 1 PC</p>	<p>Side Panel (L3) 718*350*15 1 PC</p>	<p>Side Panel (R3) 718*350*15 1 PC</p>
<p>⑯</p>	<p>⑰</p>	<p>⑱</p>
<p>Center Panel 638*350*30 1 PC</p>	<p>Back Panel (Center) 1695*668*2.5 1 PC</p>	<p>Front Bone (Center) 817*50*15 2 PCS</p>
<p>⑲</p>	<p>⑳</p>	<p>㉑</p>
<p>Shelf Panel (Center-L) 832*349*15 1 PC</p>	<p>Shelf Panel (Center-R) 817*349*15 1 PC</p>	<p>Leg Center 350*65*15 1 PC</p>
<p>㉒</p>	<p>㉓</p>	<p>㉔</p>
<p>Leg Panel (Center) 1696*80*15 1 PC</p>	<p>Box Top Panel (L) 458*224*30 1 PC</p>	<p>Box Side Panel (L1) 1000*189*15 1 PC</p>

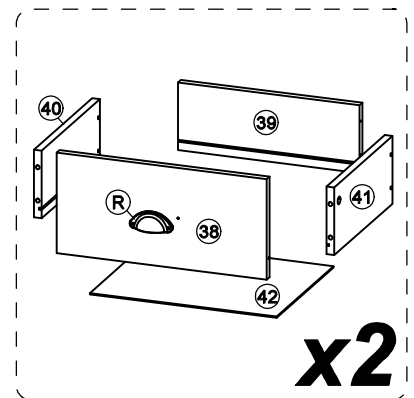
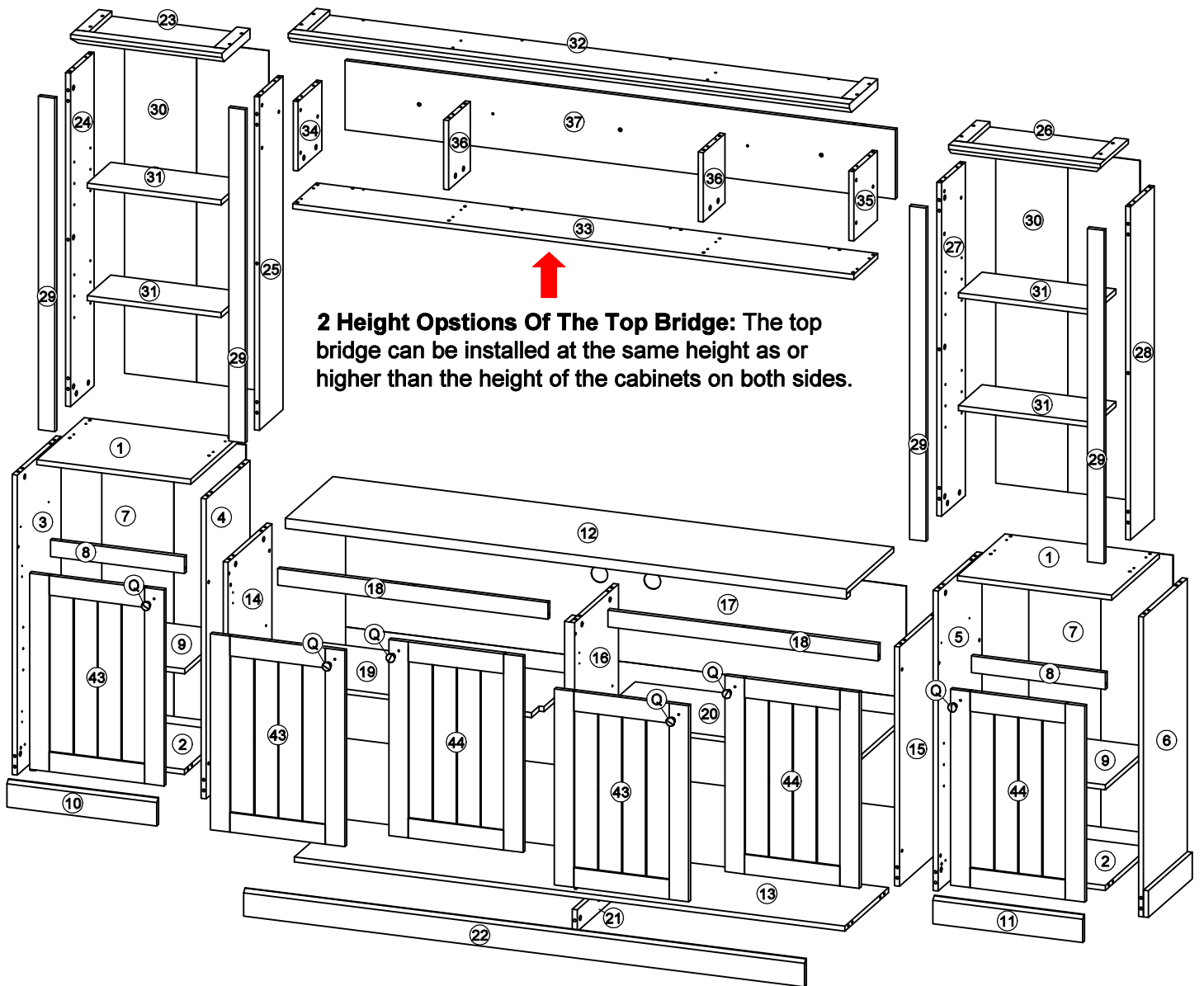
Components - Parts

<p>25</p> 	<p>26</p> 	<p>27</p> 
<p>Box Side Panel (R1) 1000*189*15 1 PC</p>	<p>Box Top Panel (R) 458*224*30 1 PC</p>	<p>Box Side Panel (L2) 1000*189*15 1 PC</p>
<p>28</p> 	<p>29</p> 	<p>30</p> 
<p>Box Side Panel (R2) 1000*189*15 1 PC</p>	<p>Box Side Rail (L&R) 1000*50*15 4 PCS</p>	<p>Box Back Panel (L&R) 1022*436*2.5 2 PCS</p>
<p>31</p> 	<p>32</p> 	<p>33</p> 
<p>Box Shelf Panel (L&R) 405*188*15 4 PCS</p>	<p>Box Top Panel (Center) 1696*226*30 1 PC</p>	<p>Box Bottom Panel (Center) 1696*190*15 1 PC</p>
<p>34</p> 	<p>35</p> 	<p>36</p> 
<p>Box Side Panel (L3) 208*189*15 1 PC</p>	<p>Box Side Panel (R3) 208*189*15 1 PC</p>	<p>Box Center Panel 208*173*15 2 PCS</p>

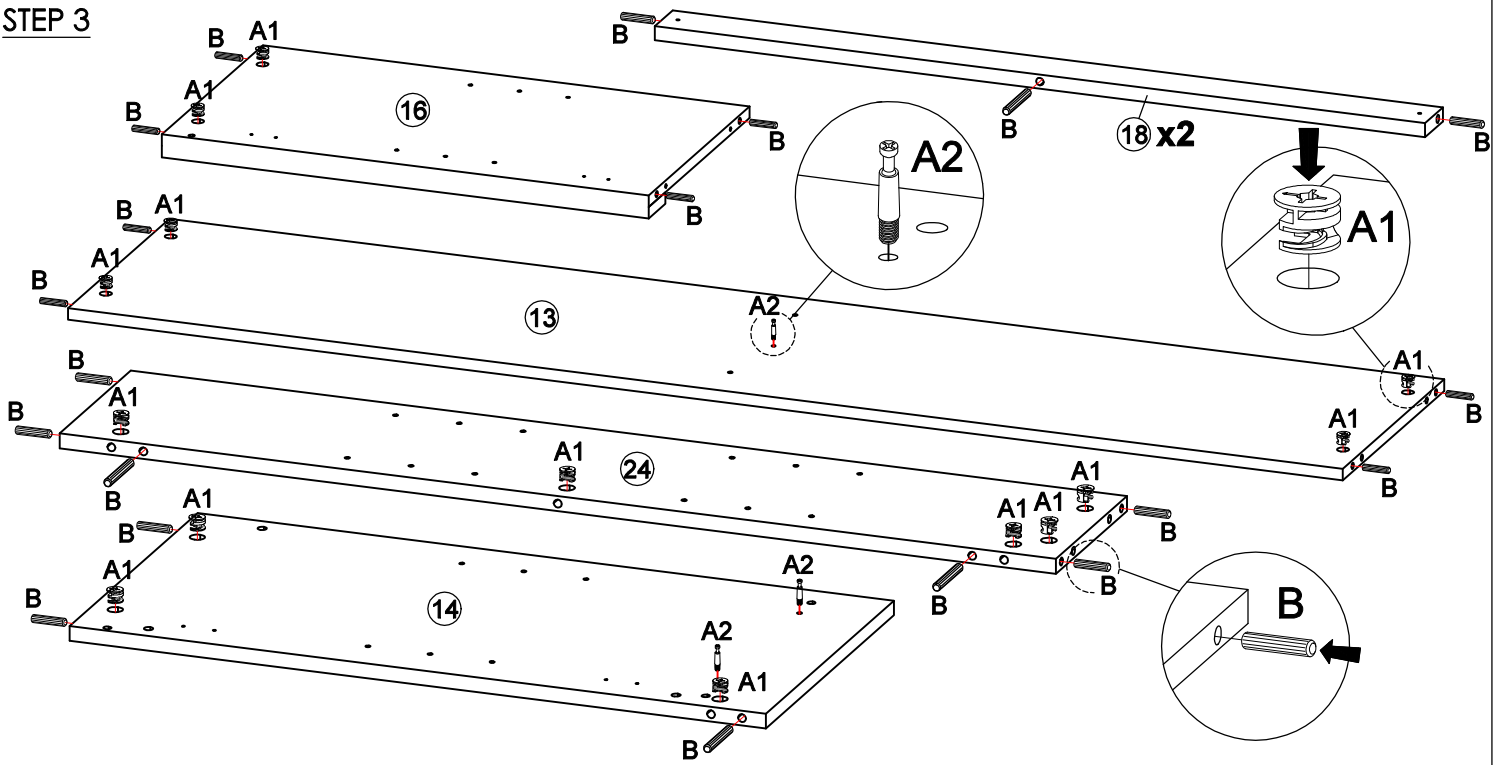
Components - Parts

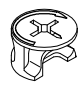
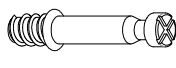

<p>37</p> 	<p>38</p> 	<p>39</p> 
<p>Box Back Panel (Center) 1664*208*15 1 PC</p>	<p>Drawer Front 406*193*15 2 PCS</p>	<p>Drawer Back 350*130*15 2 PCS</p>
<p>40</p> 	<p>41</p> 	<p>42</p> 
<p>Drawer Side (L) 298*130*15 2 PCS</p>	<p>Drawer Side (R) 298*130*15 2 PCS</p>	<p>Drawer Bottom 360*292*2.5 2 PCS</p>
<p>43</p> 	<p>44</p> 	
<p>Door Panel (1) 588*406*15 3 PCS</p>	<p>Door Panel (2) 588*406*15 3 PCS</p>	

Assembly Instructions

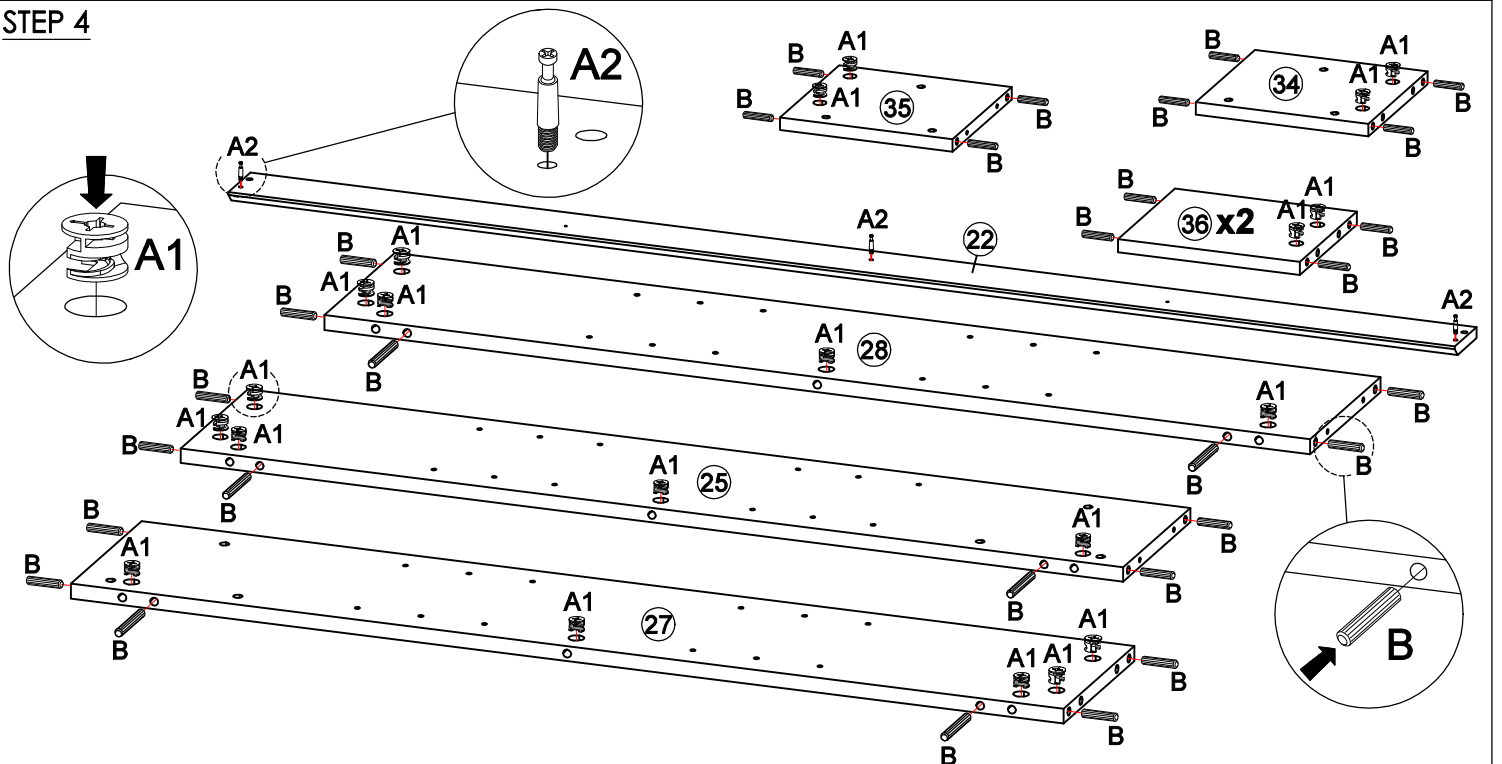



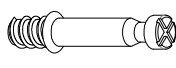

STEP 3



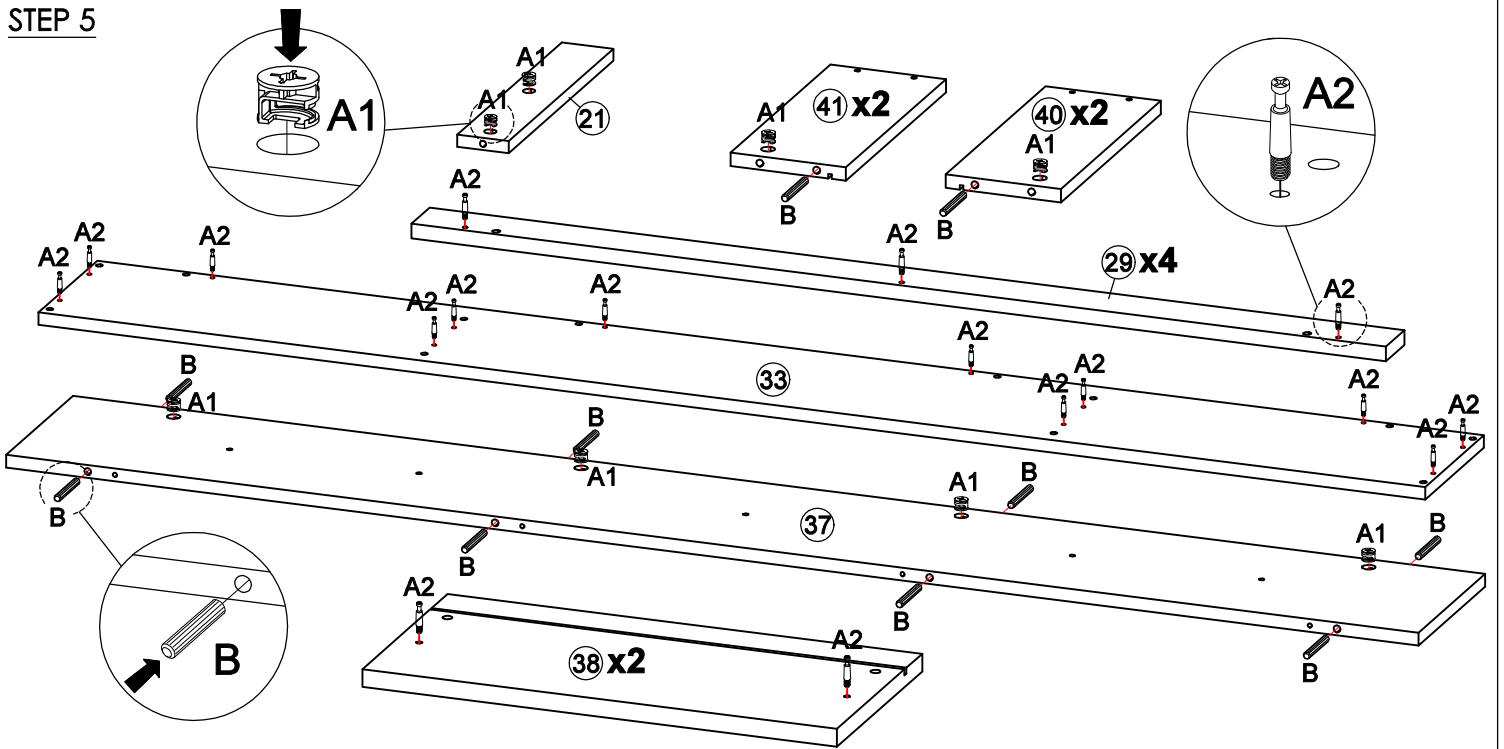
<p>(A1)</p>  <p>Cam lock x 14</p>	<p>(A2)</p>  <p>Cam bolt x 3</p>	<p>(B)</p>  <p>8*30mm Dowel x 23</p>
---------------------------------------------------------------------------------------------------------------------	--------------------------------------------------------------------------------------------------------------------	------------------------------------------------------------------------------------------------------------------------




STEP 4



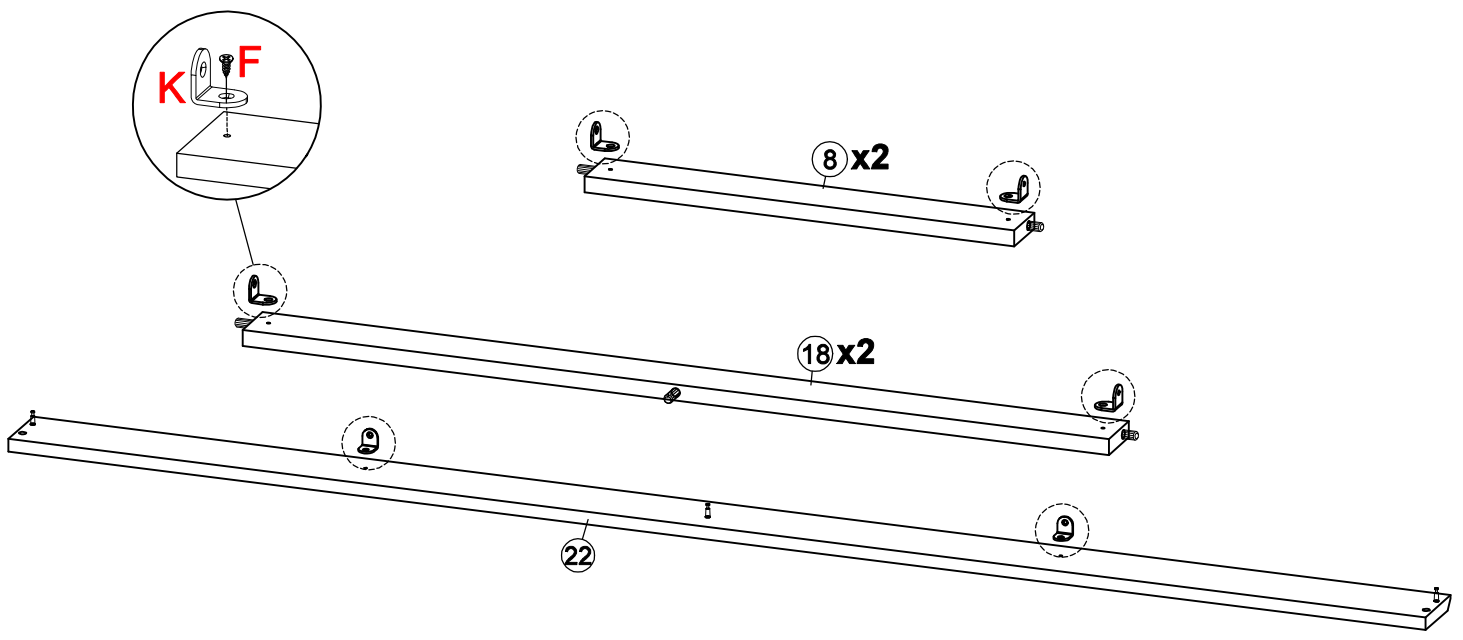
<p>(A1)</p>  <p>Cam lock x 23</p>	<p>(A2)</p>  <p>Cam bolt x 3</p>	<p>(B)</p>  <p>8*30mm Dowel x 34</p>
----------------------------------------------------------------------------------------------------------------------	---------------------------------------------------------------------------------------------------------------------	-------------------------------------------------------------------------------------------------------------------------

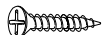
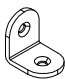
STEP 5



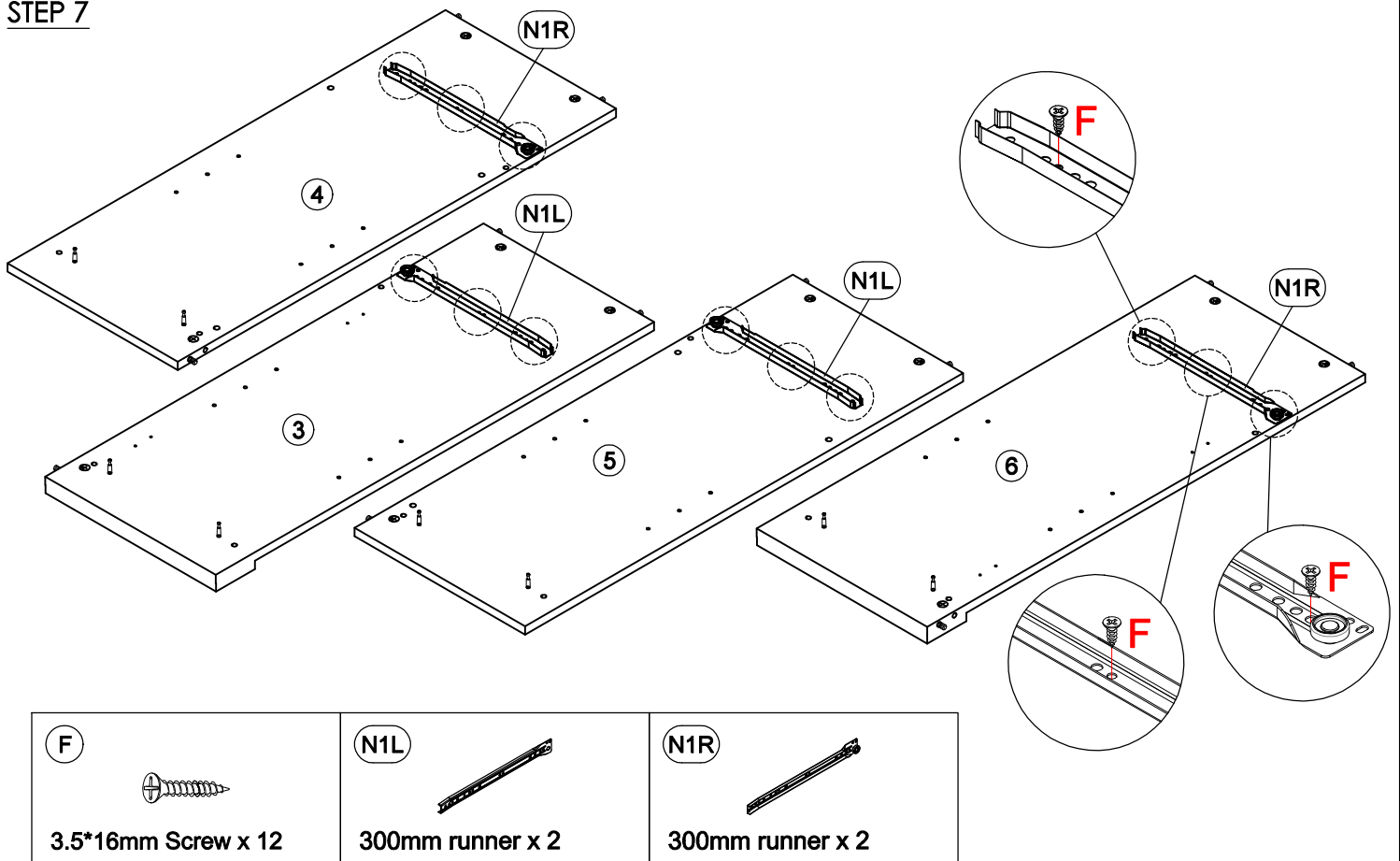
<p>(A1)</p>  <p>Cam lock x 10</p>	<p>(A2)</p>  <p>Cam bolt x 28</p>	<p>(B)</p>  <p>8*30mm Dowel x 12</p>
---------------------------------------------------------------------------------------------------------------------	---------------------------------------------------------------------------------------------------------------------	------------------------------------------------------------------------------------------------------------------------

STEP 6

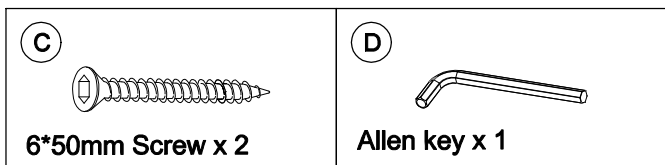
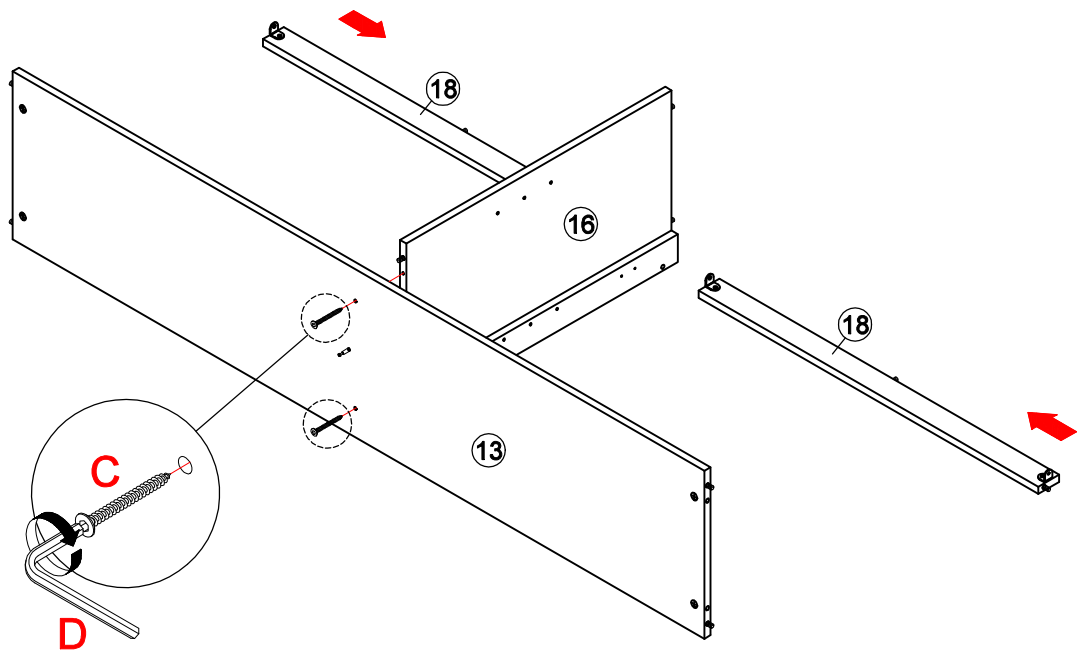


<p>(F)</p>  <p>3.5*16mm Screw x 10</p>	<p>(K)</p>  <p>L bracket x 10</p>
---------------------------------------------------------------------------------------------------------------------------	----------------------------------------------------------------------------------------------------------------------

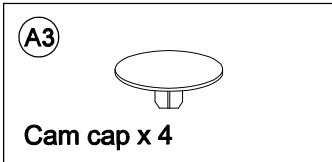
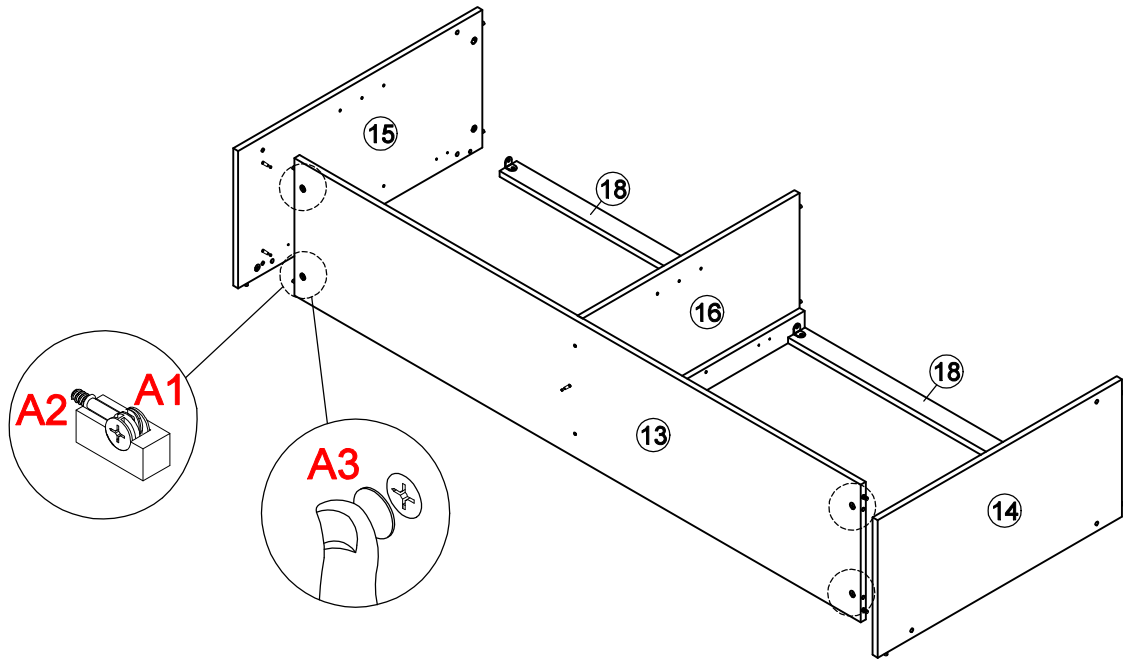
STEP 7



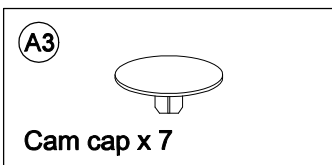
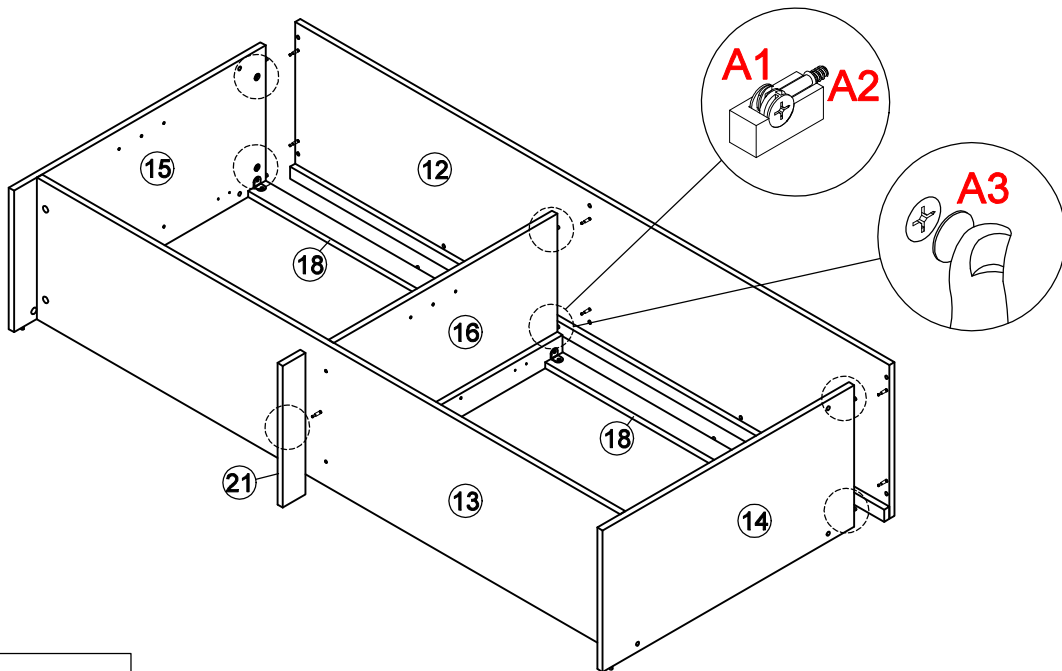
STEP 8



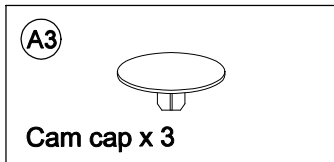
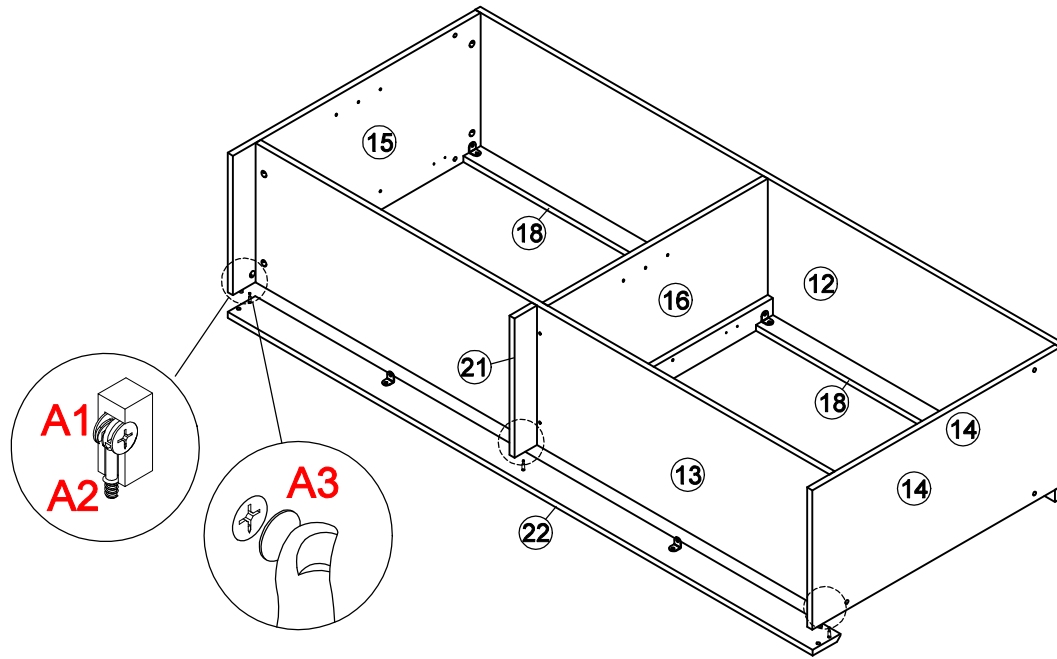
STEP 9



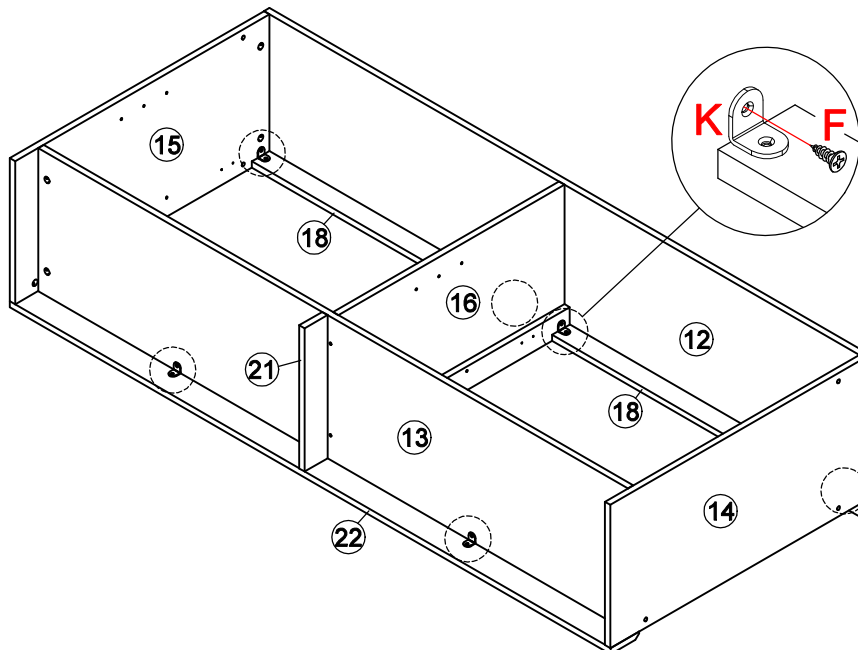
STEP 10



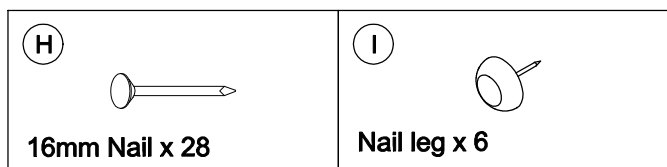
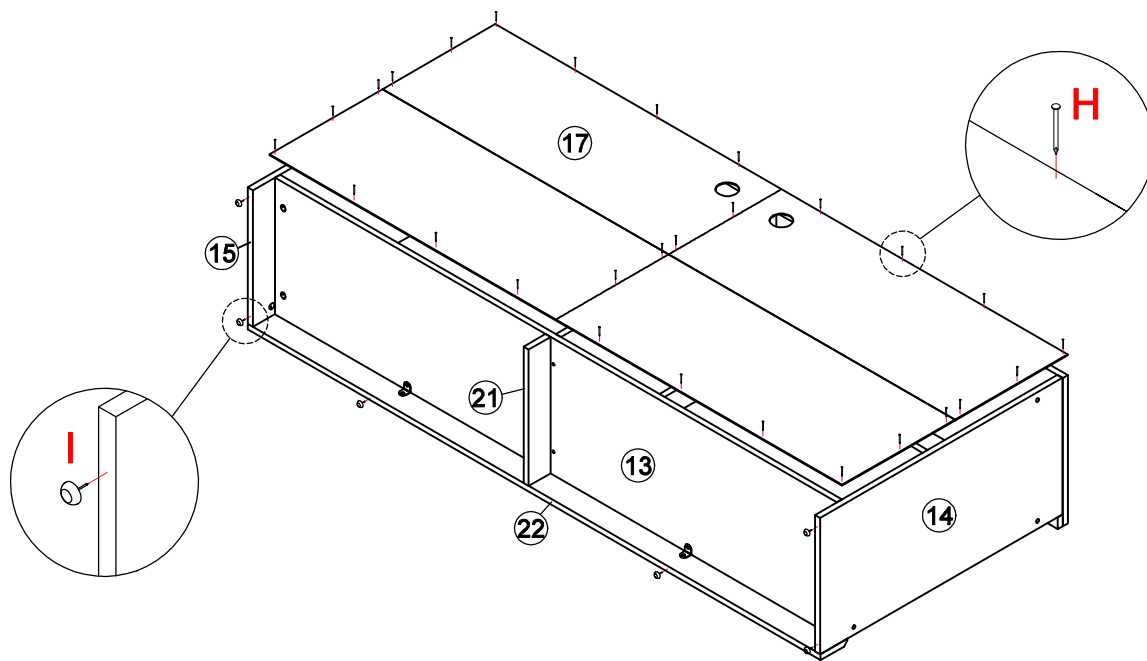
STEP 11



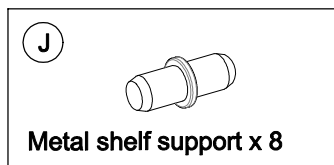
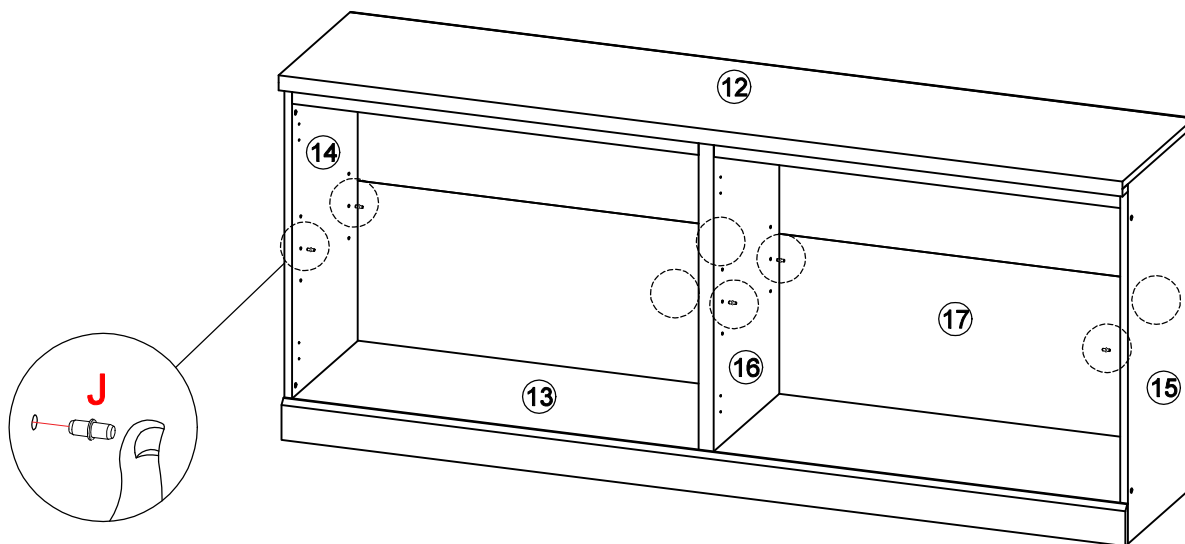
STEP 12



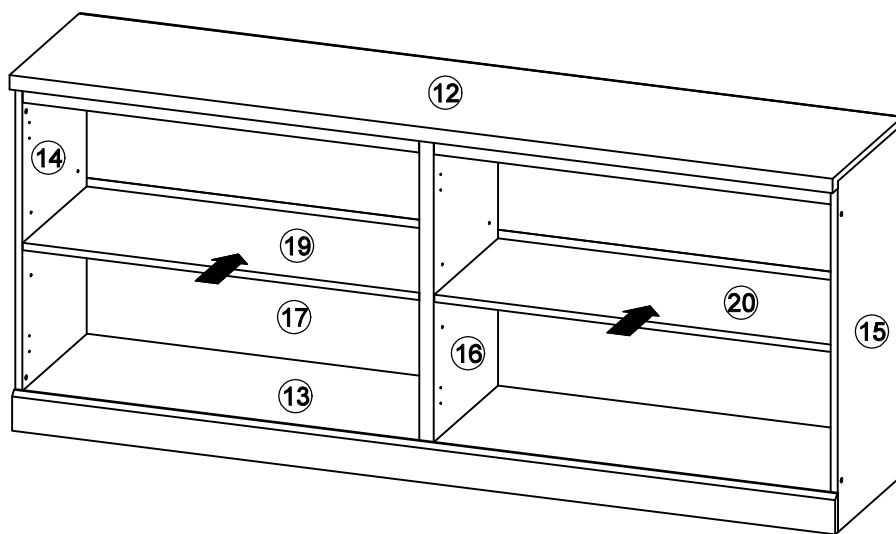
STEP 13



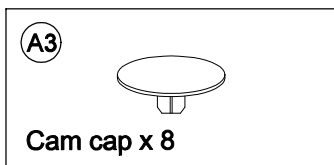
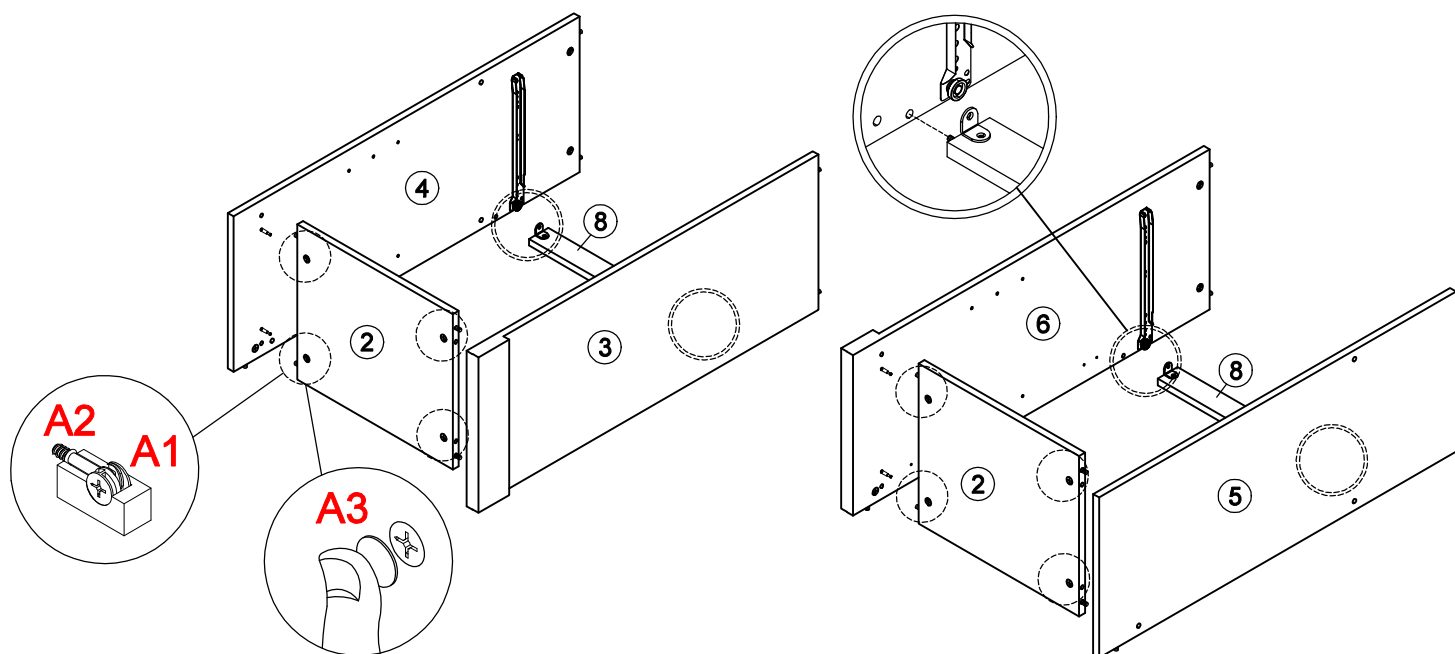
STEP 14



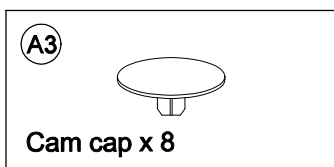
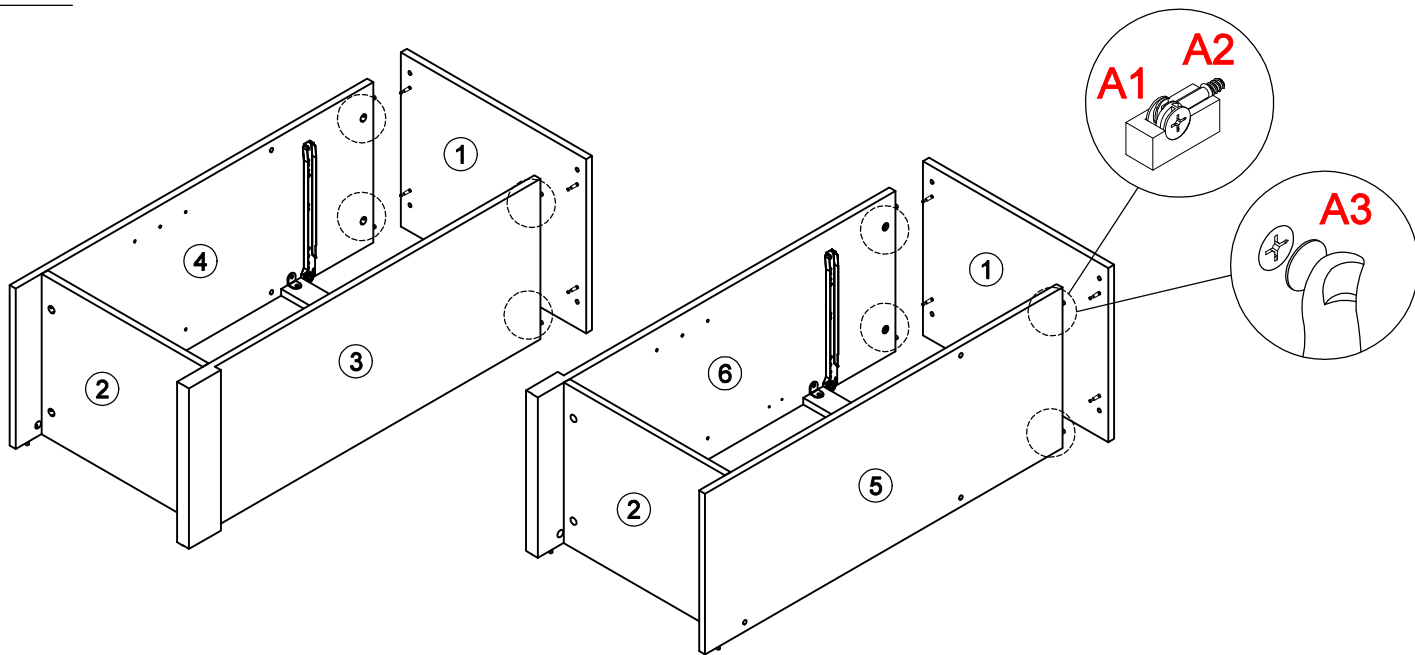
STEP 15



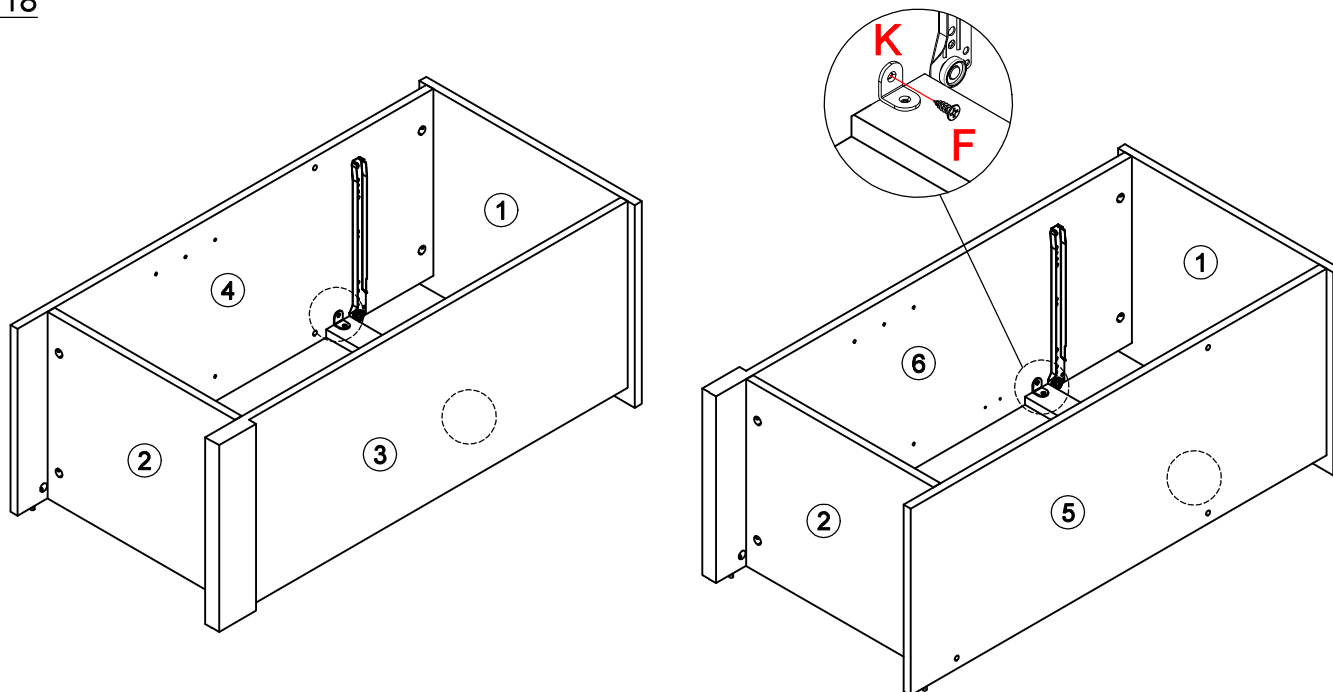
STEP 16



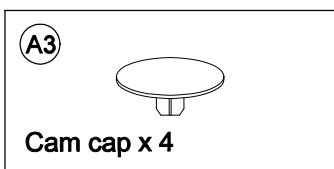
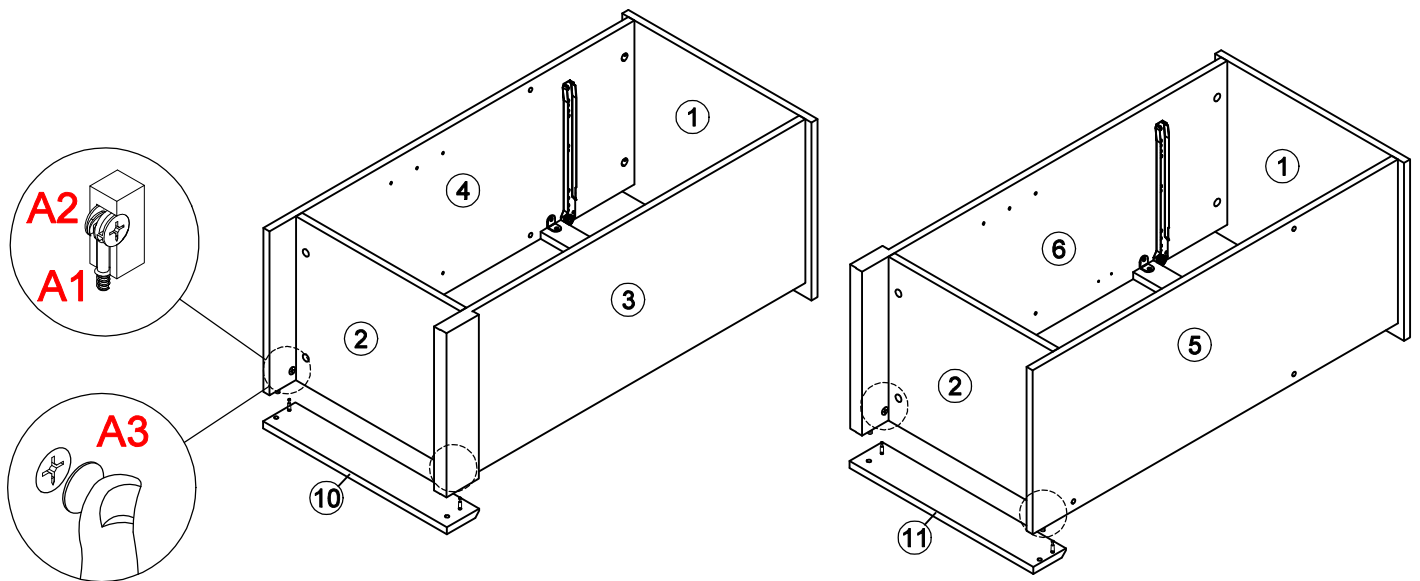
STEP 17



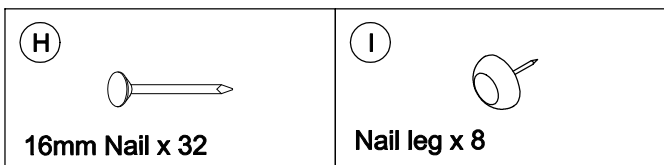
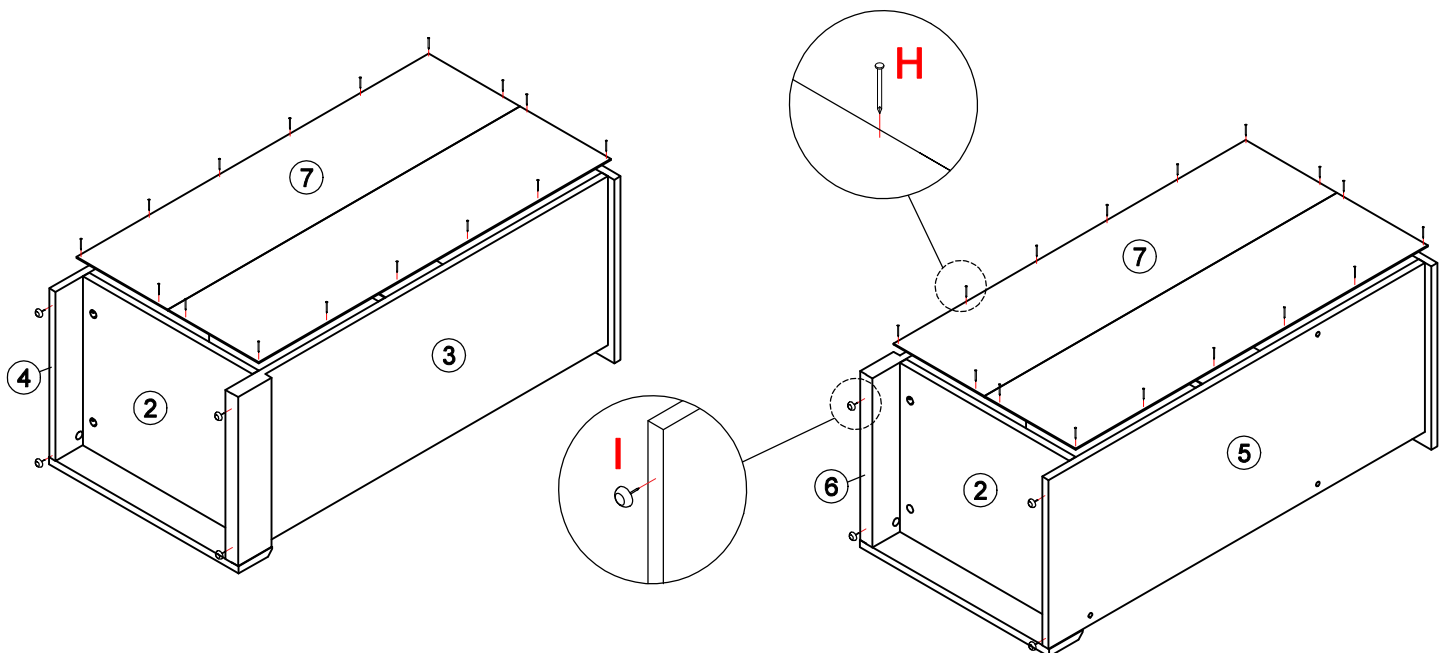
STEP 18



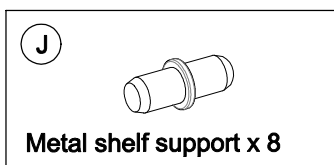
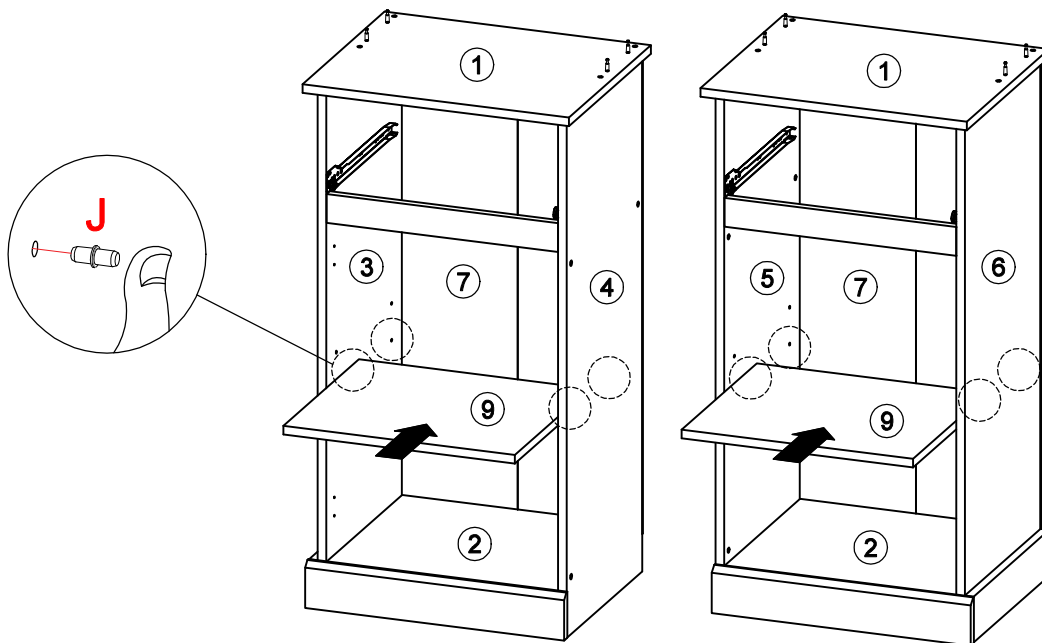
STEP 19



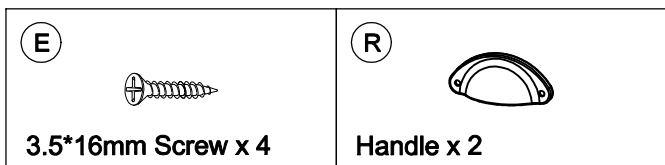
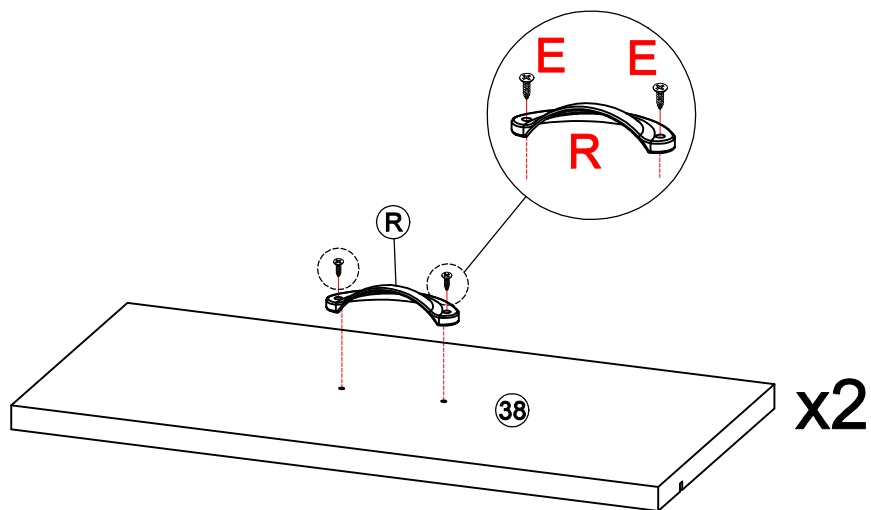
STEP 20



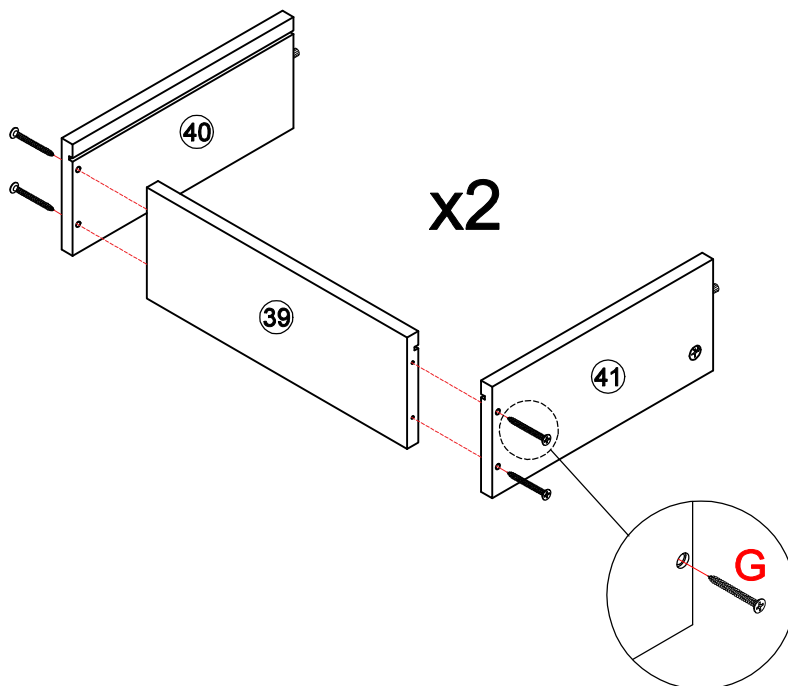
STEP 21



STEP 22



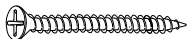
STEP 23



x2

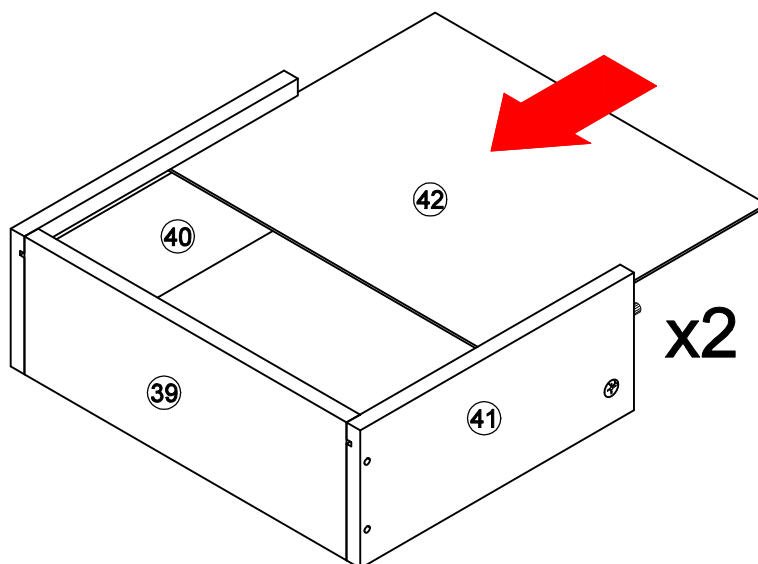
x2

G



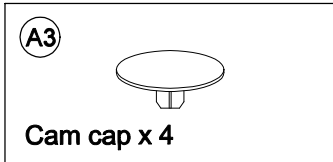
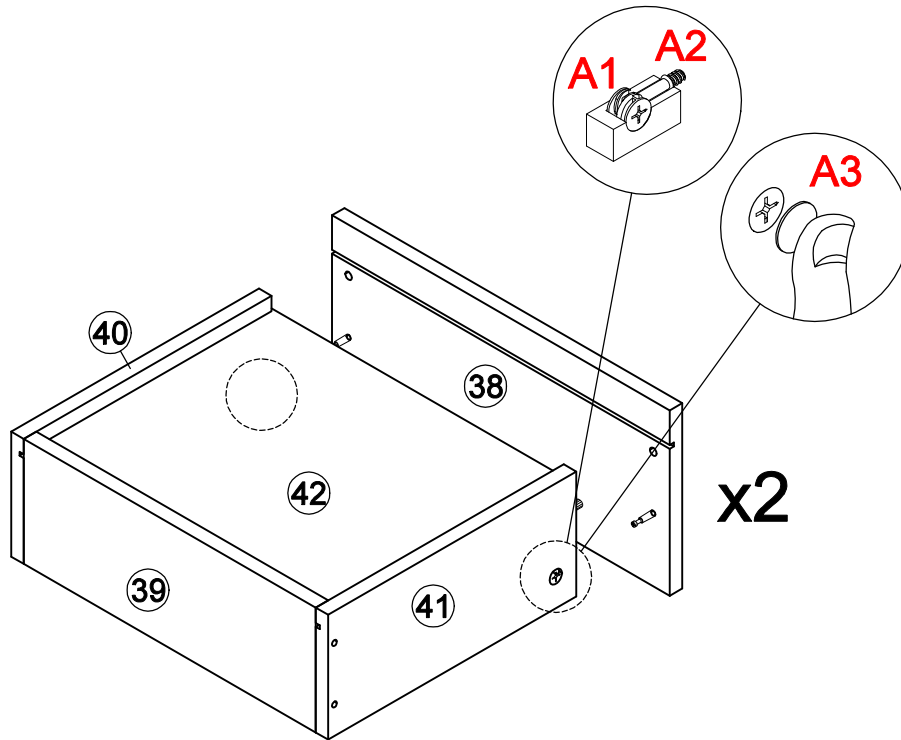
4*38mm Screw x 8

STEP 24

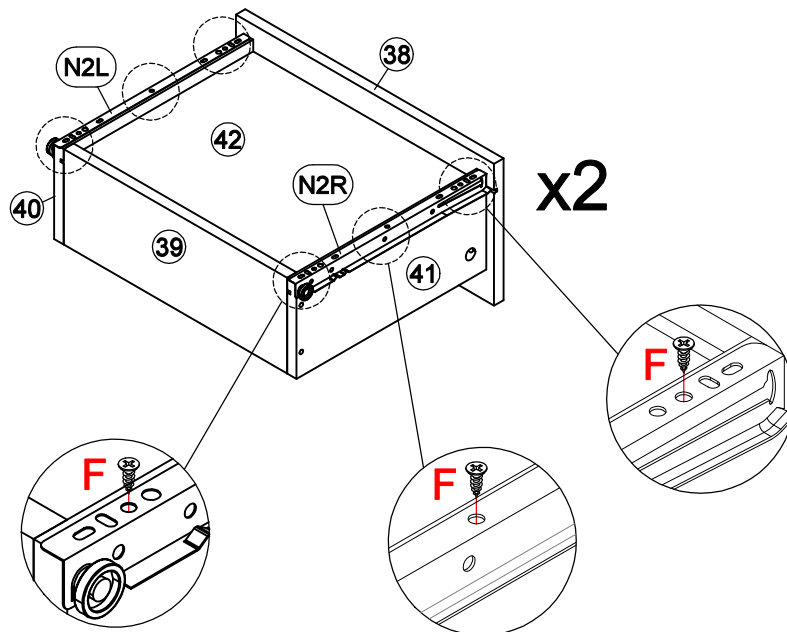


x2

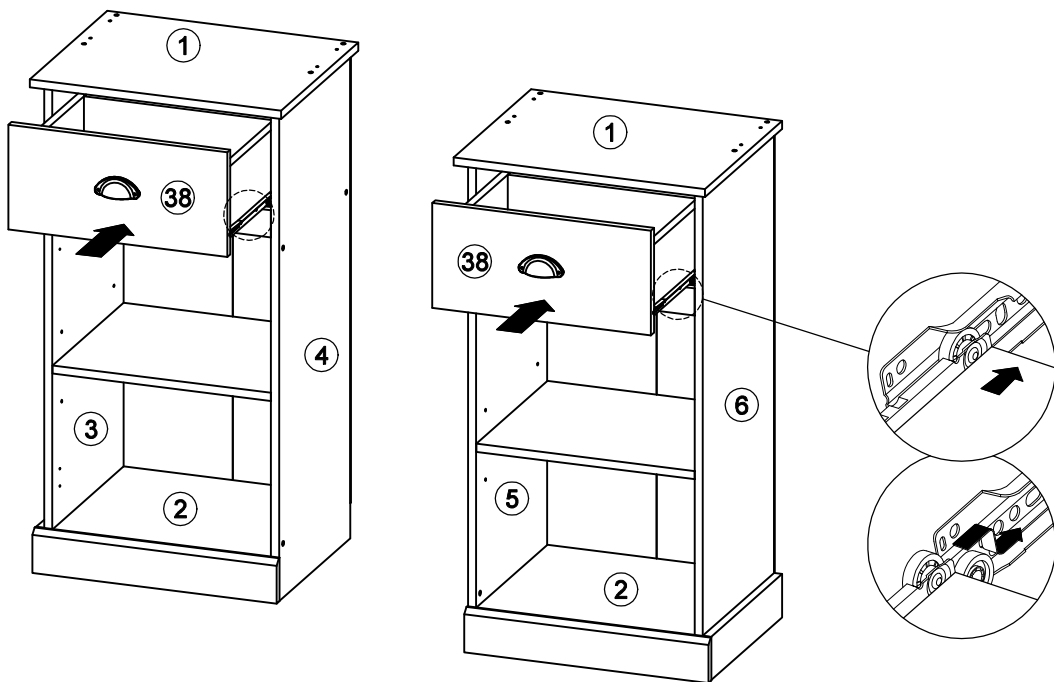
STEP 25



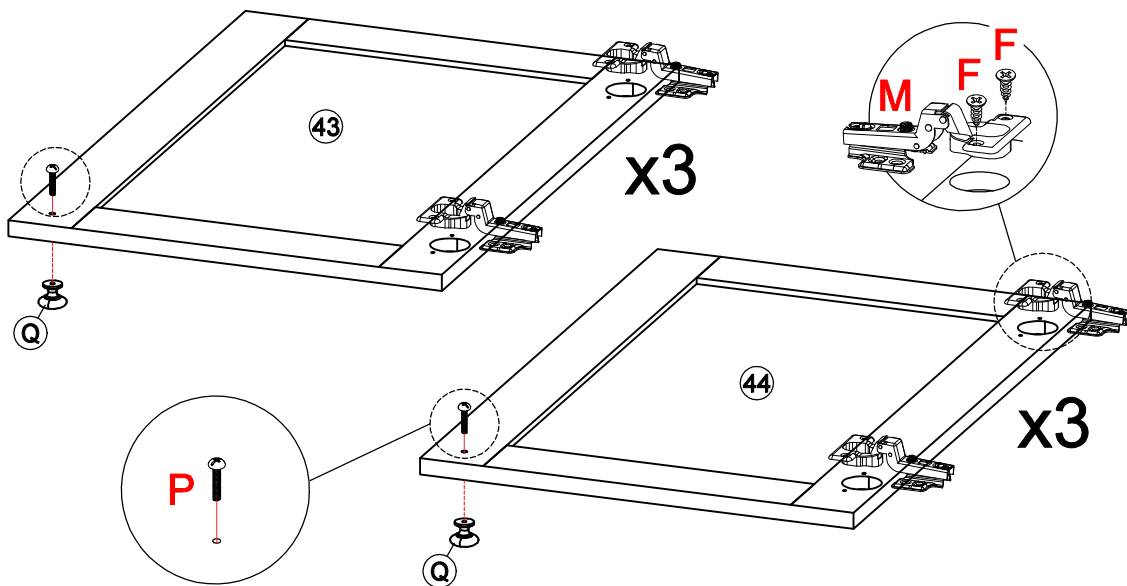
STEP 26

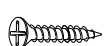
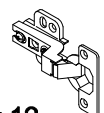




STEP 27

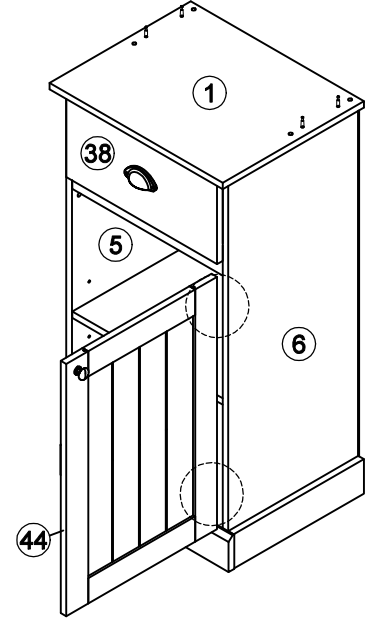
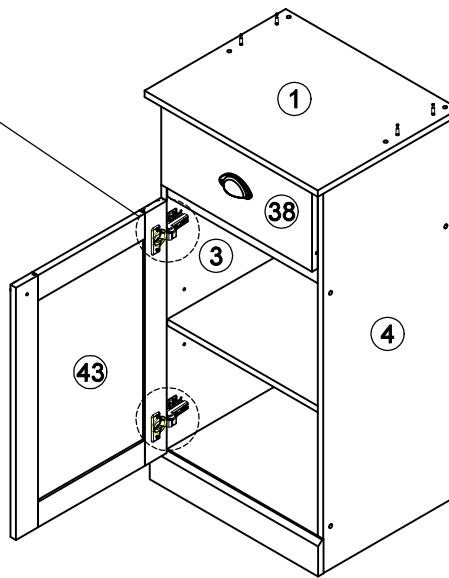
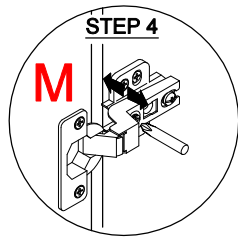
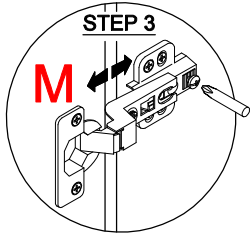
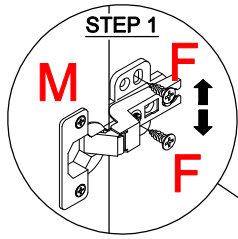
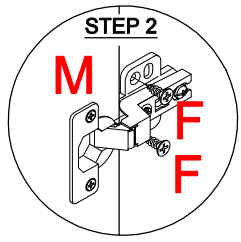


STEP 28



<p>(F) </p> <p>3.5*16mm Screw x 24</p>	<p>(M) </p> <p>Hinges x 12</p>	<p>(P) </p> <p>4*19mm Screw x 6</p>	<p>(Q) </p> <p>Handle x 6</p>
---------------------------------------------------------------------------------------------------------------------------	-------------------------------------------------------------------------------------------------------------------	------------------------------------------------------------------------------------------------------------------------	--------------------------------------------------------------------------------------------------------------------

STEP 29



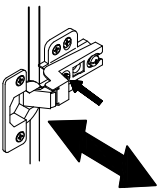
F



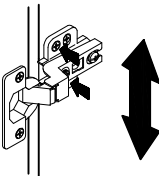
3.5*16mm Screw x 16

HINGE ADJUSTMENT GUIDE

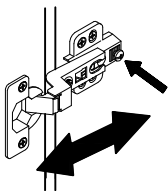
It may be necessary to adjust the hinges so that the doors align.
Use the instructions below as a guide.



To adjust the door horizontal loosen the screw as shown by turning clockwise or anti-clockwise.

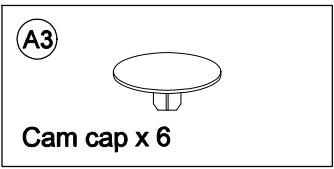
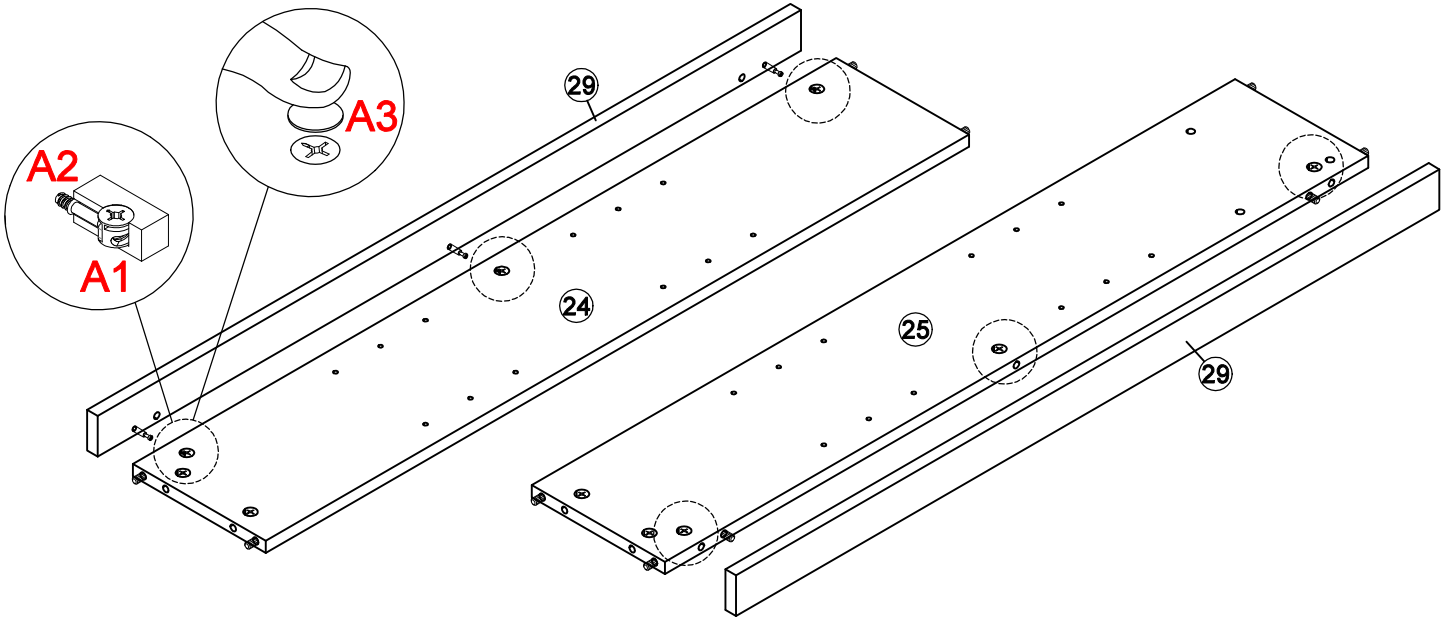


To adjust the door vertically loosen the screw as shown and move up and down as needed.

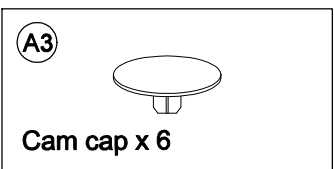
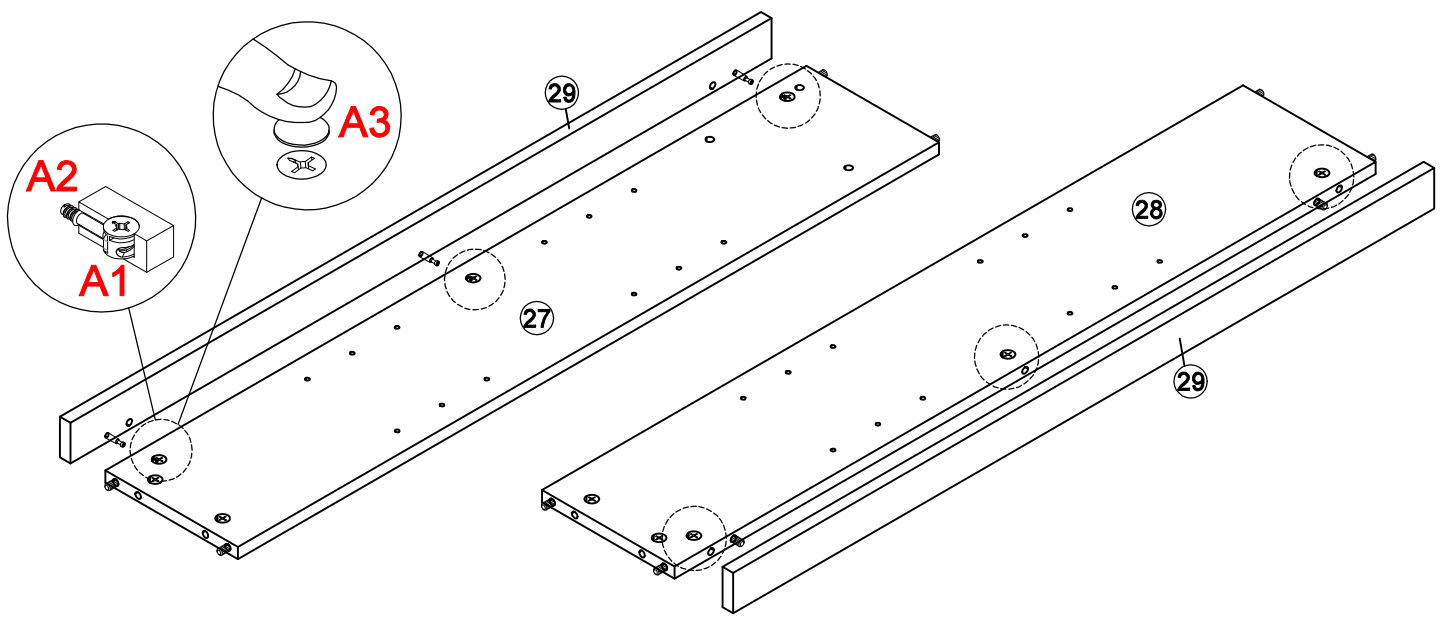


To adjust the gap from the door to the main frame turn the screw clockwise or anti-clockwise as needed.

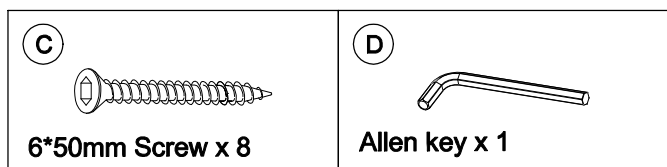
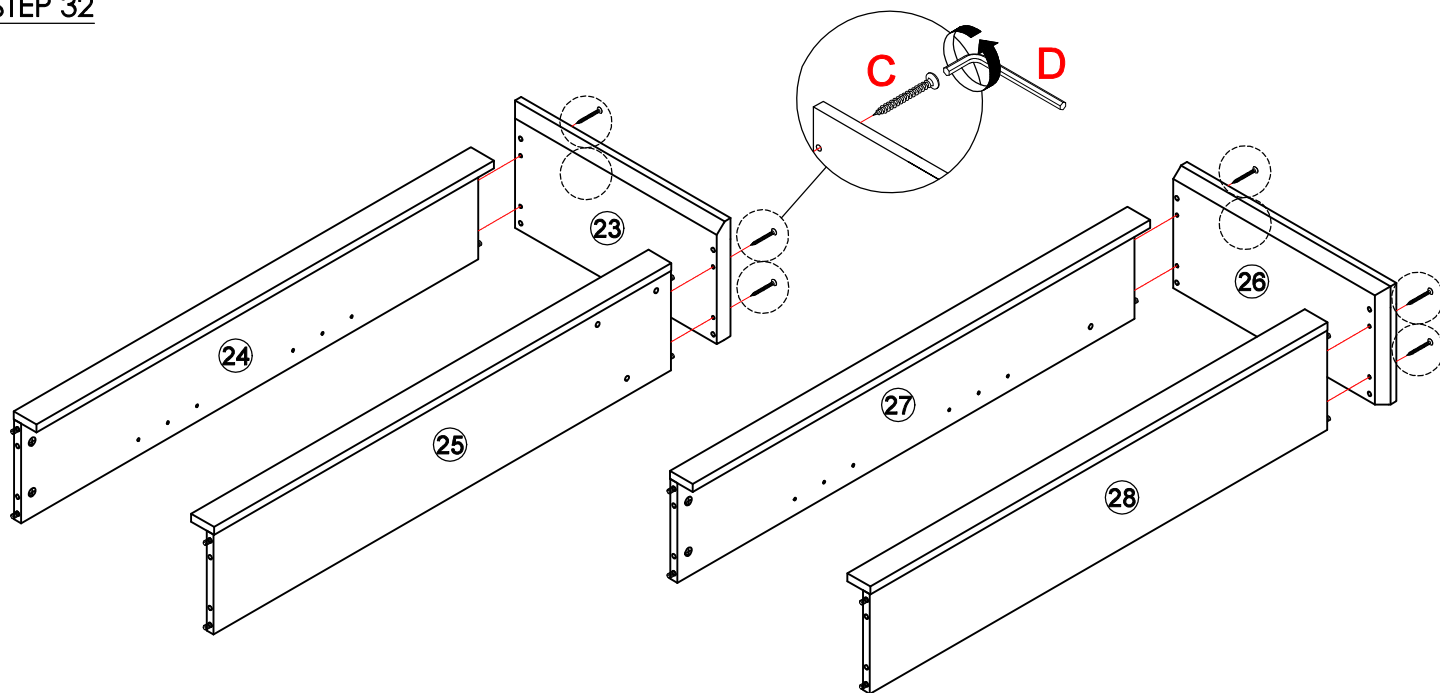
STEP 30



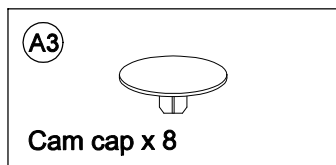
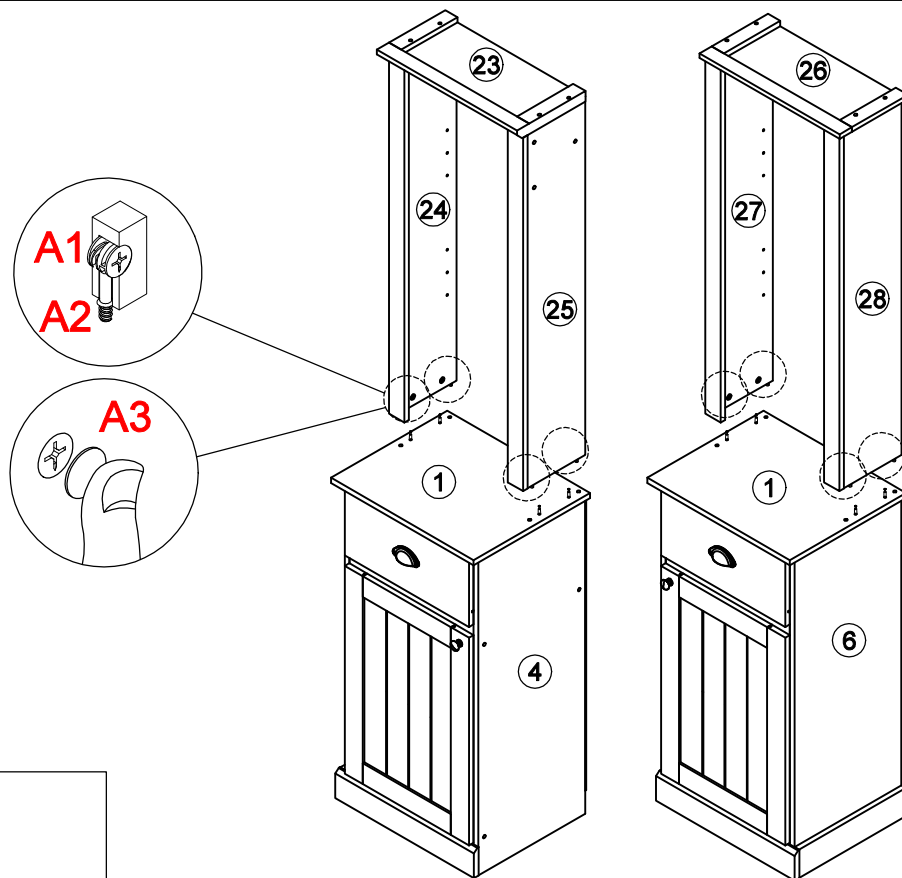
STEP 31



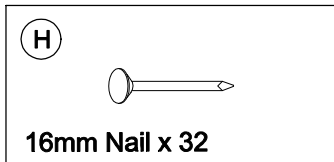
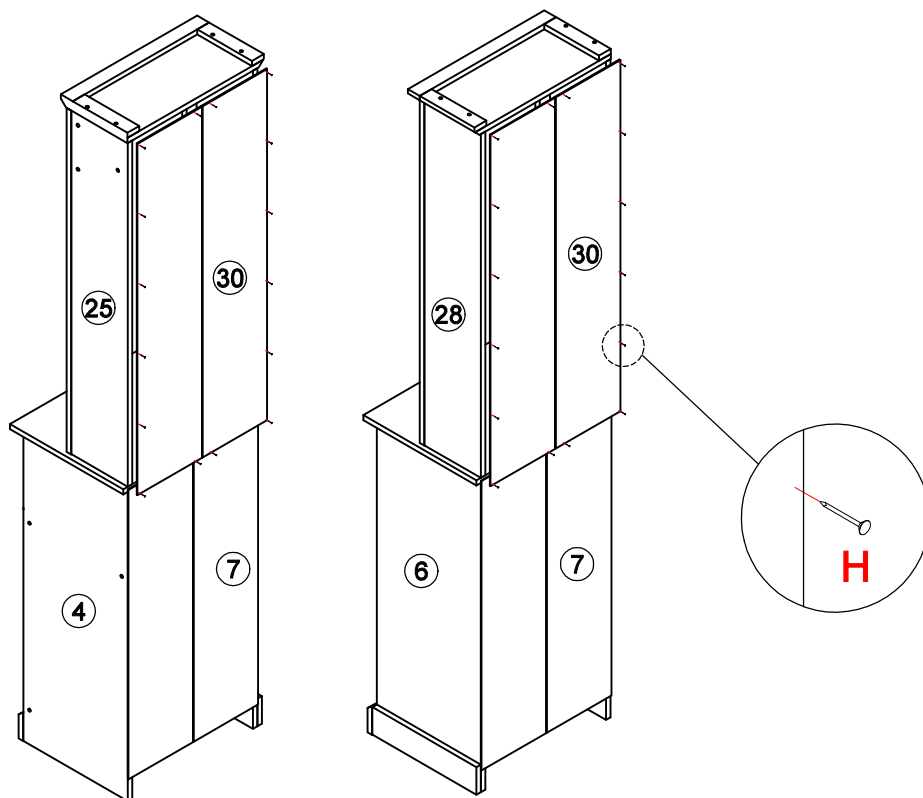
STEP 32



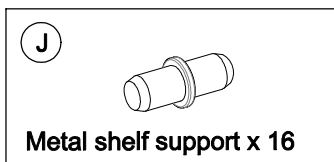
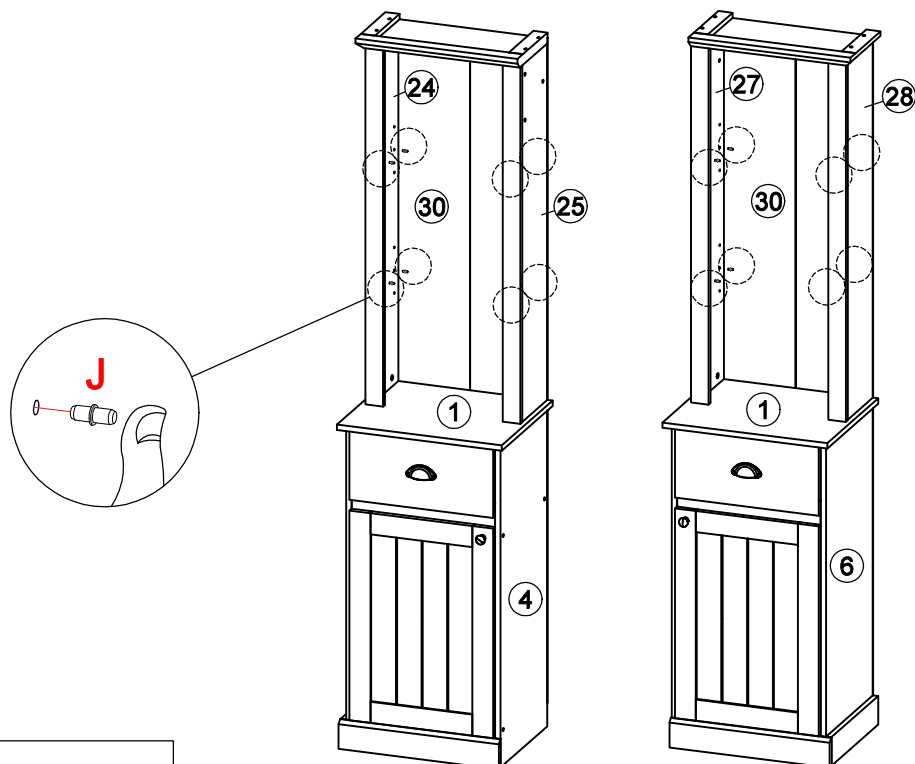
STEP 33



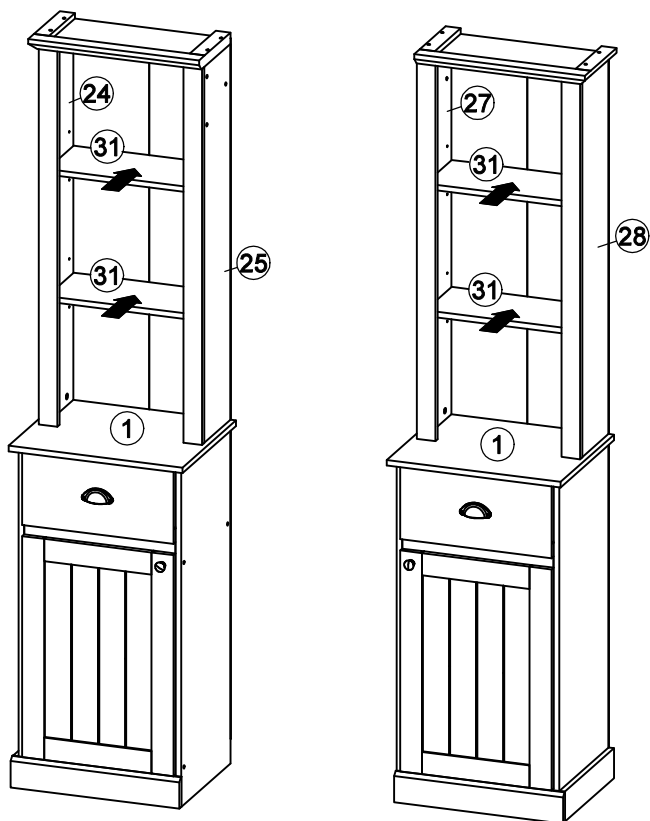
STEP 34



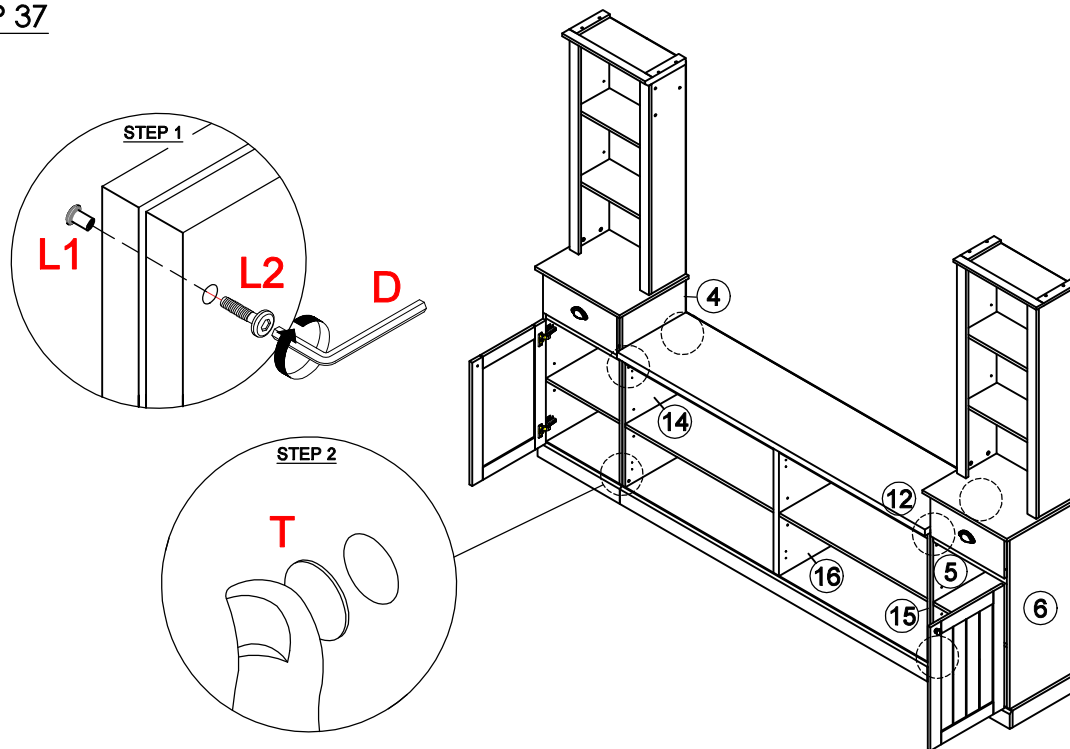
STEP 35


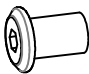
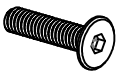



STEP 36

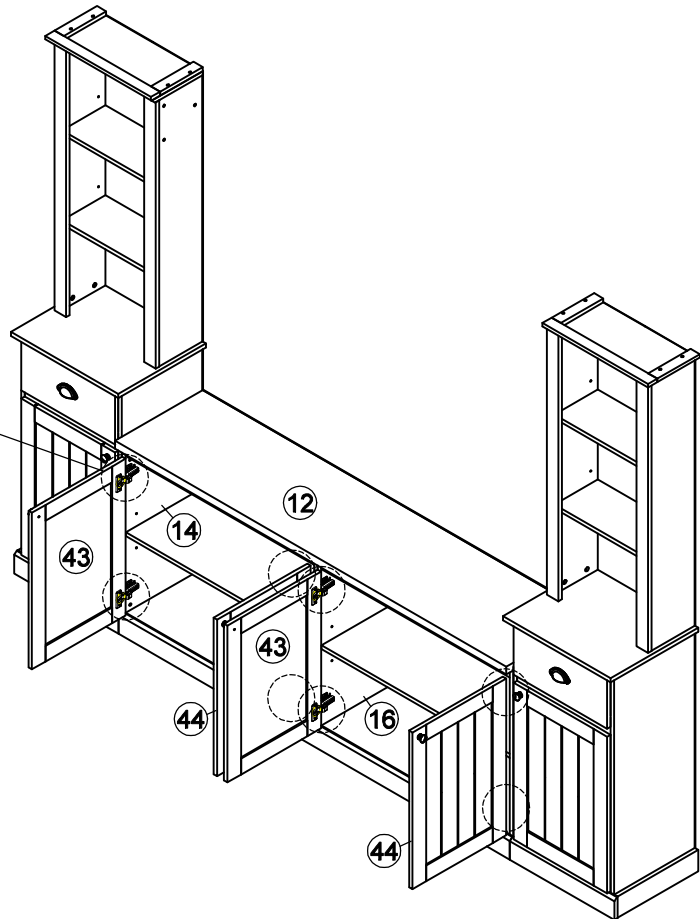
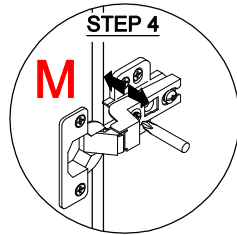
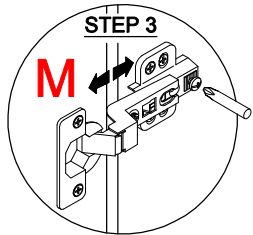
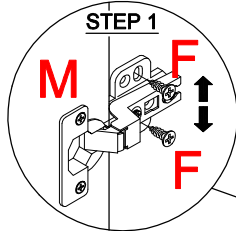
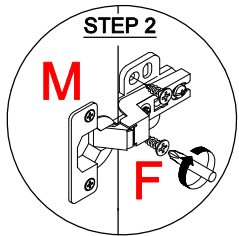


STEP 37

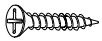


<p>(D)</p>  <p>Allen key x 1</p>	<p>(L1)</p>  <p>6*12mm Joint nut x 6</p>	<p>(L2)</p>  <p>6*20mm Screw x 6</p>	<p>(T)</p>  <p>Sticker x 12</p>
---------------------------------------------------------------------------------------------------------------------	-----------------------------------------------------------------------------------------------------------------------------	-------------------------------------------------------------------------------------------------------------------------	----------------------------------------------------------------------------------------------------------------------

STEP 38



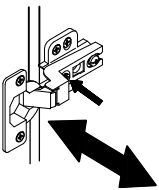
F



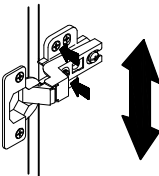
3.5*16mm Screw x 32

HINGE ADJUSTMENT GUIDE

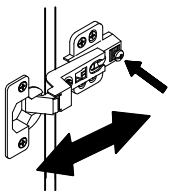
It may be necessary to adjust the hinges so that the doors align.
Use the instructions below as a guide.



To adjust the door horizontal loosen the screw as shown by turning clockwise or anti-clockwise.

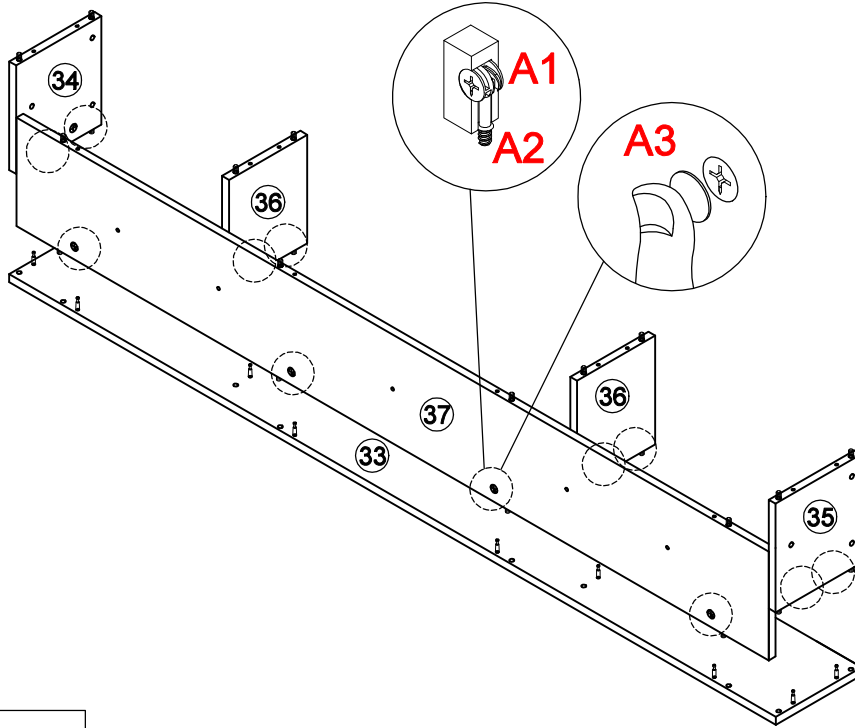


To adjust the door vertically loosen the screw as shown and move up and down as needed.

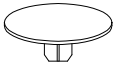


To adjust the gap from the door to the main frame turn the screw clockwise or anti-clockwise as needed.

STEP 39

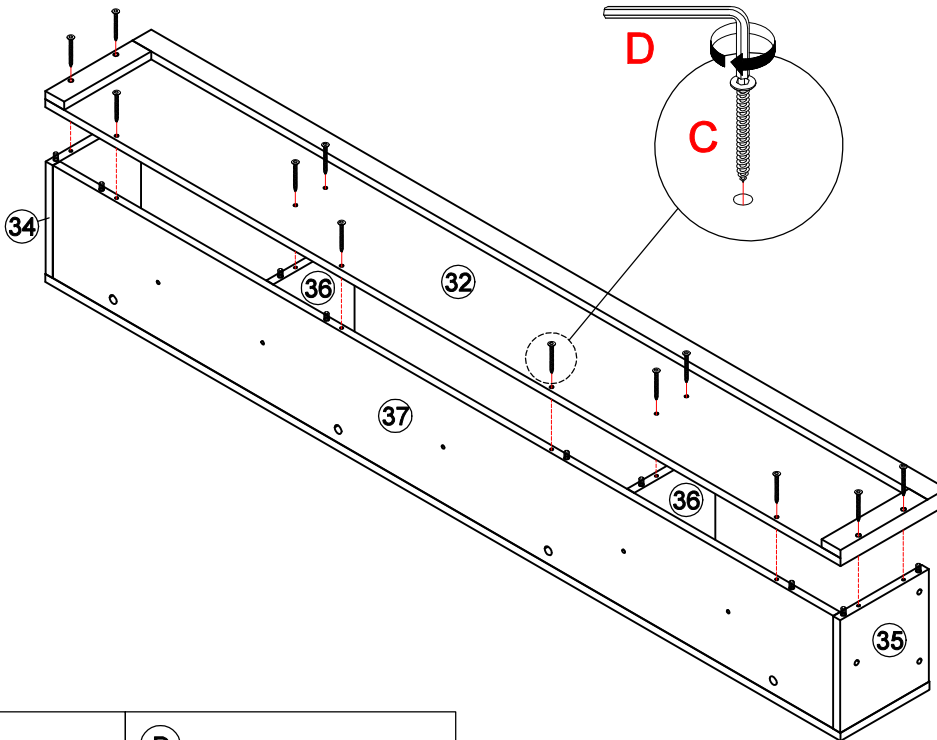


A3



Cam cap x 12

STEP 40



C



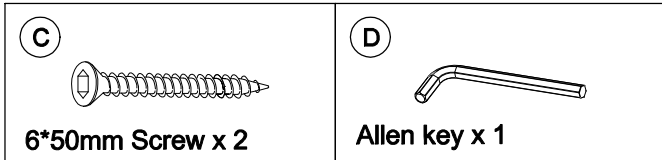
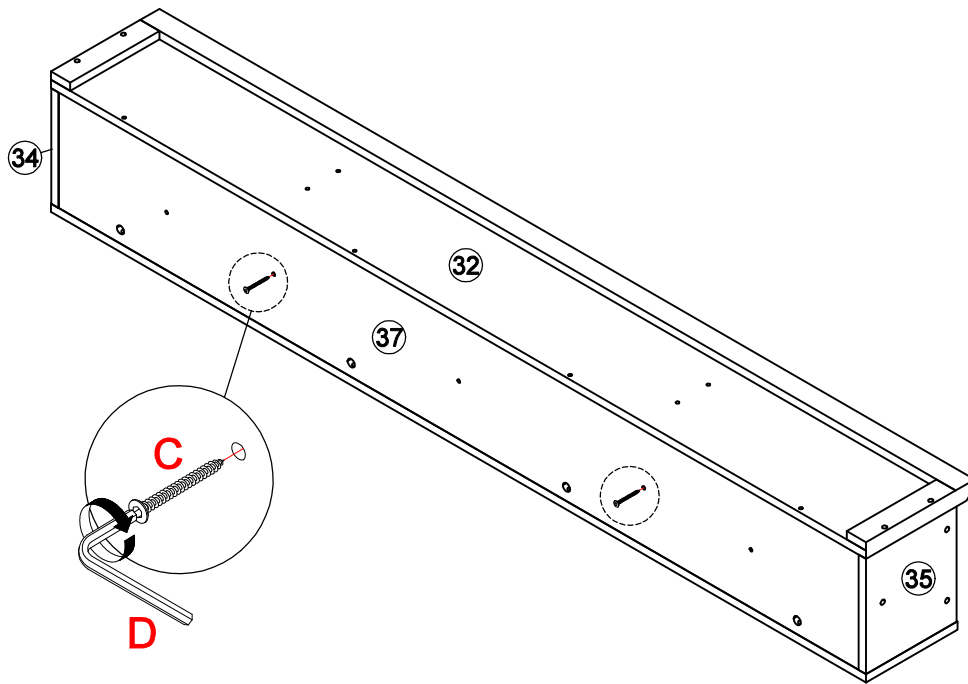
6*50mm Screw x 12

D

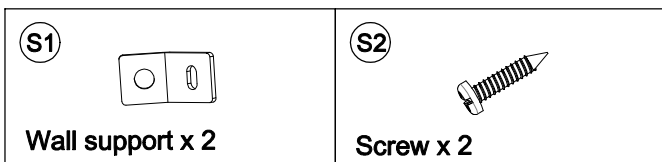
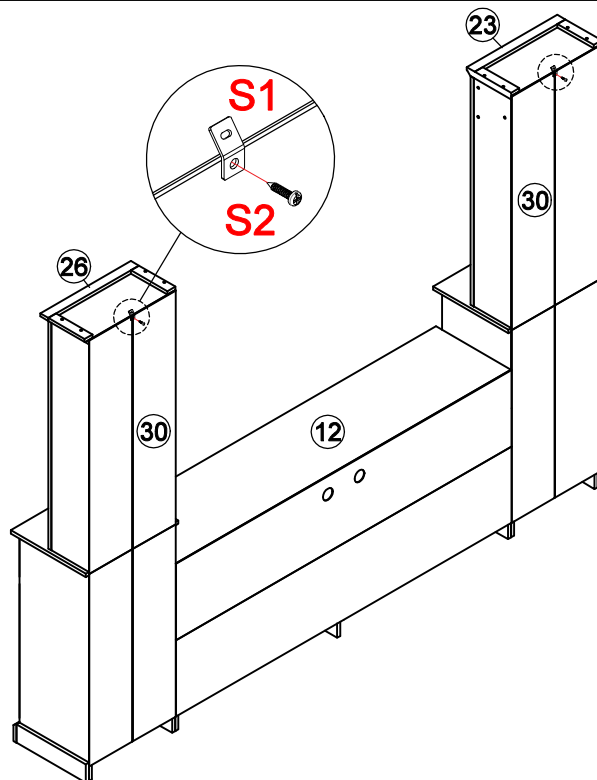


Allen key x 1

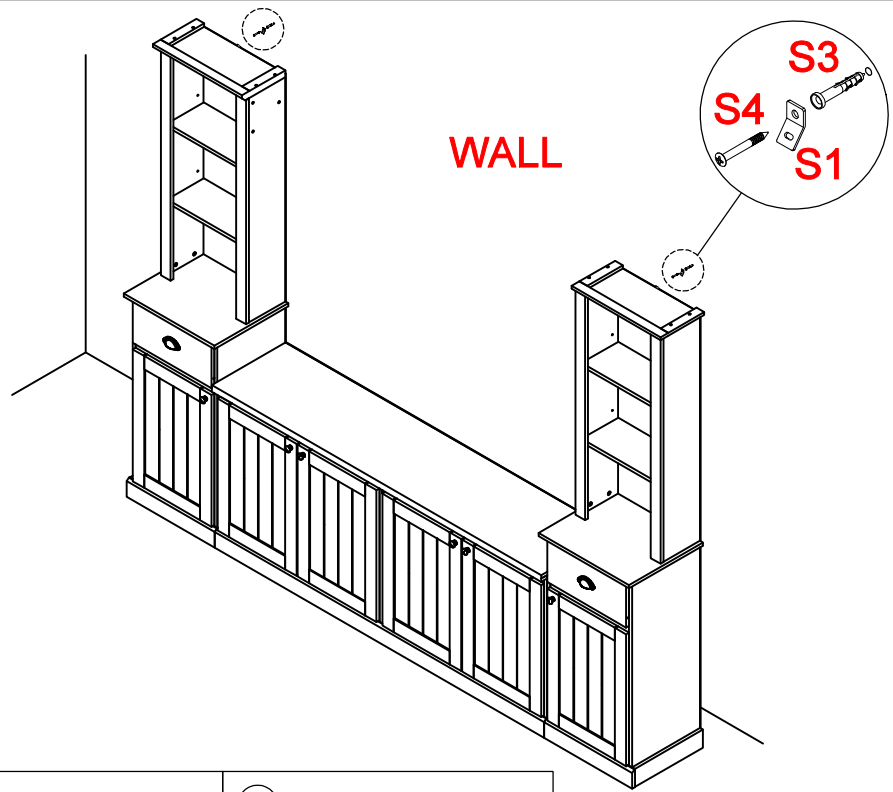
STEP 41


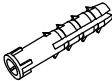



STEP 42

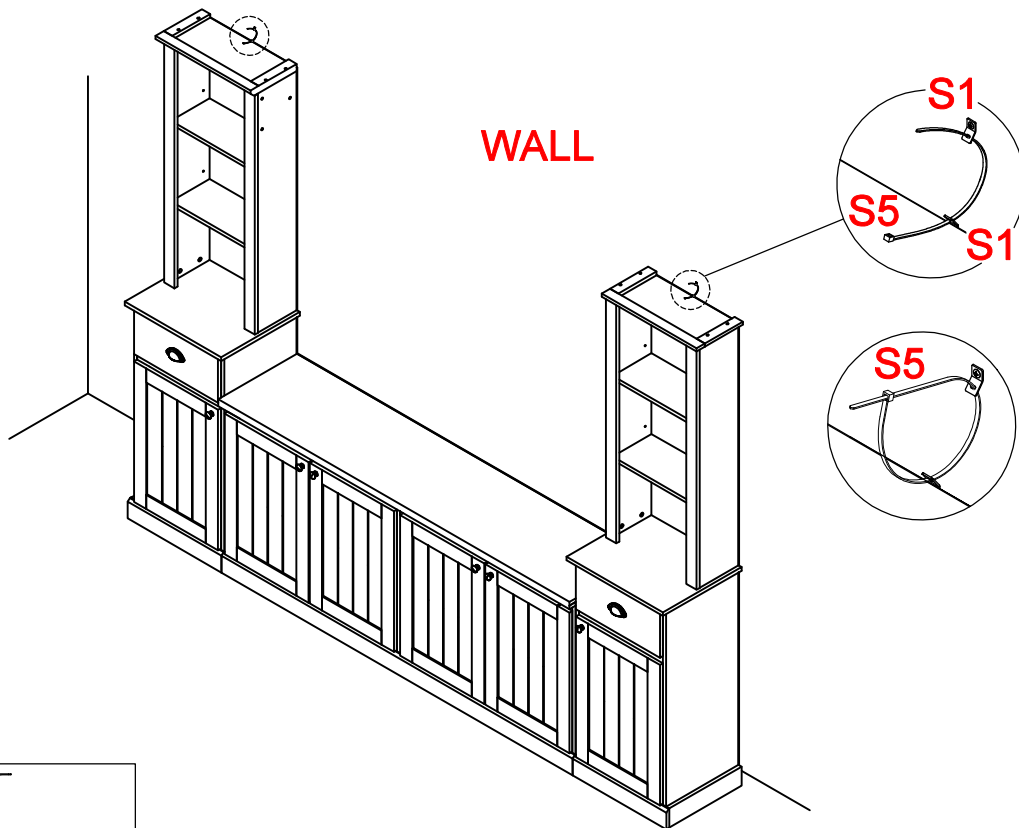


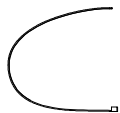
STEP 43



<p>S1</p>  <p>Wall support x 2</p>	<p>S3</p>  <p>Wall plug x 2</p>	<p>S4</p>  <p>Screw x 2</p>
-----------------------------------------------------------------------------------------------------------------------------	--------------------------------------------------------------------------------------------------------------------------	----------------------------------------------------------------------------------------------------------------------

STEP 44

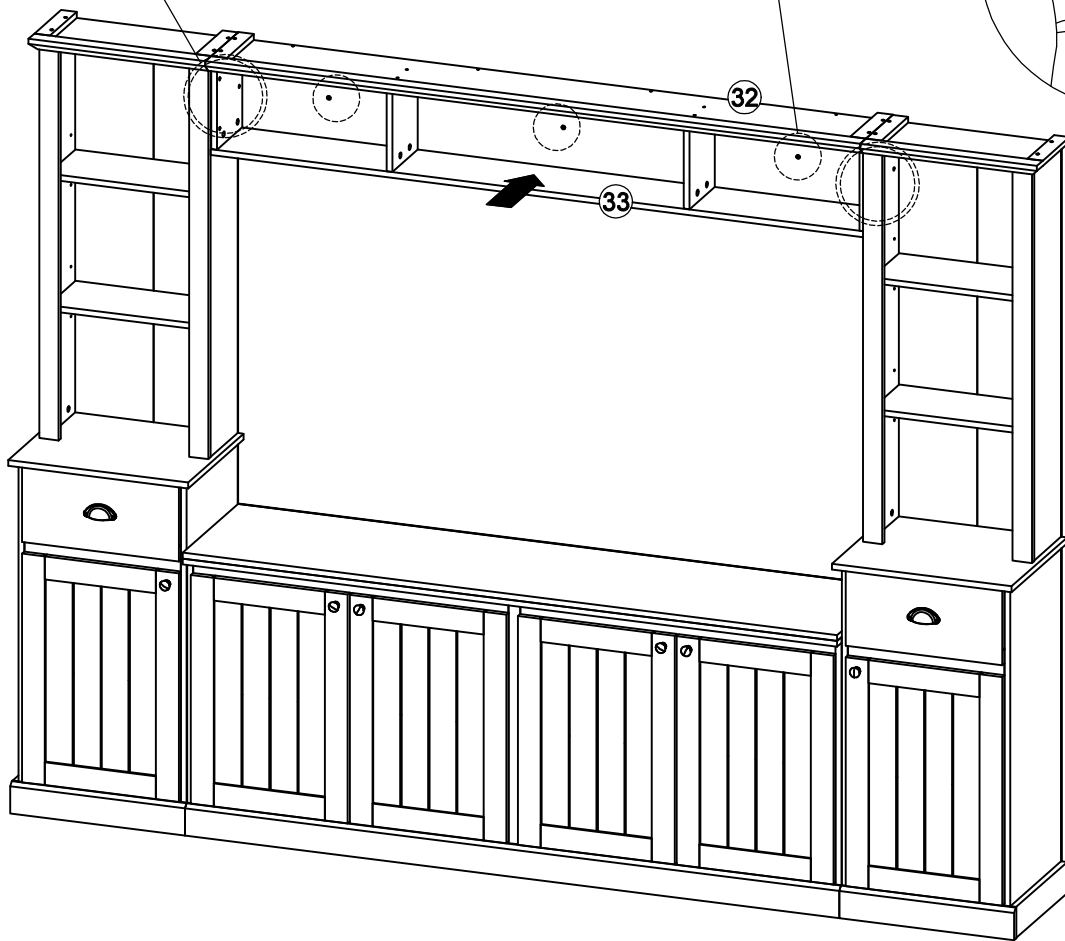
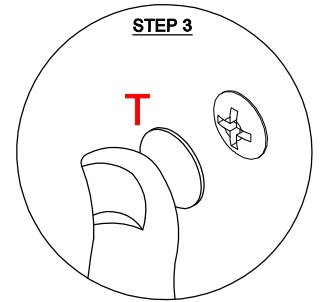
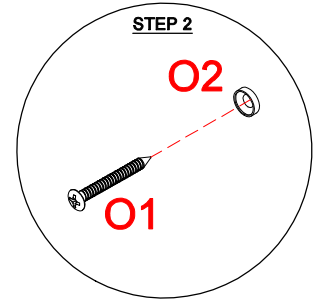
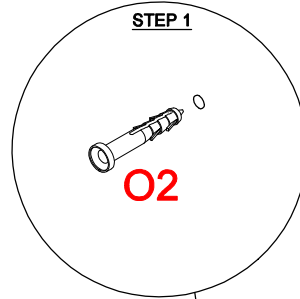
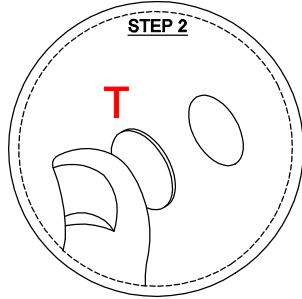
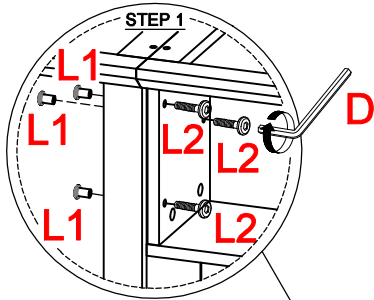



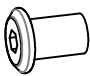
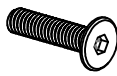
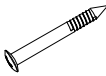
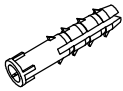

<p>S5</p>  <p>Cable tie x 2</p>

STEP 45

OPTIONS 1

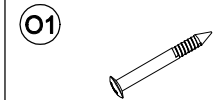
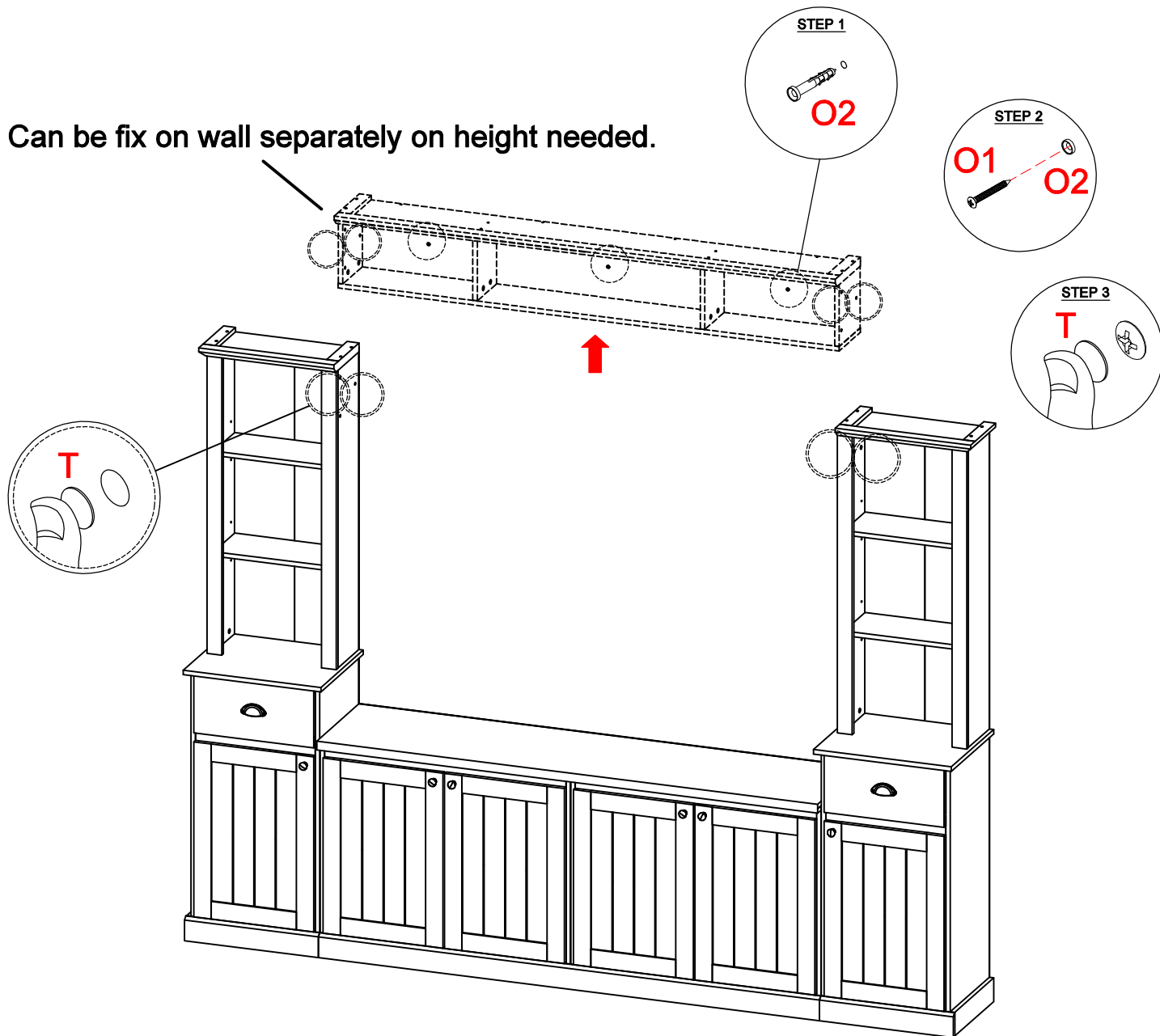
There is 2 ways of installation.



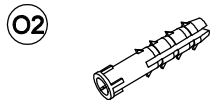
<p>(D)</p>  <p>Allen key x 1</p>	<p>(L1)</p>  <p>6*12mm Joint nut x 6</p>	<p>(L2)</p>  <p>6*20mm Screw x 6</p>	<p>(O1)</p>  <p>Screw x 3</p>
<p>(O2)</p>  <p>Wall plug x 3</p>	<p>(T)</p>  <p>Sticker x 15</p>		

OPTIONS 2

Can be fix on wall separately on height needed.



Screw x 3

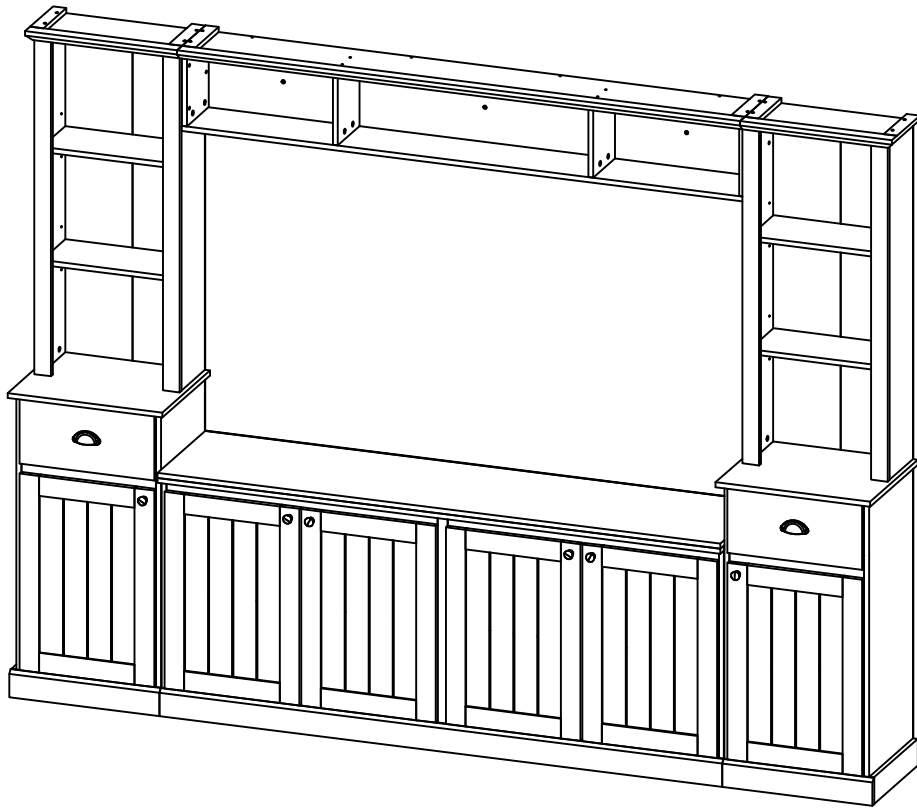


Wall plug x 3



Sticker x 27

OPTIONS 1



OPTIONS 2

