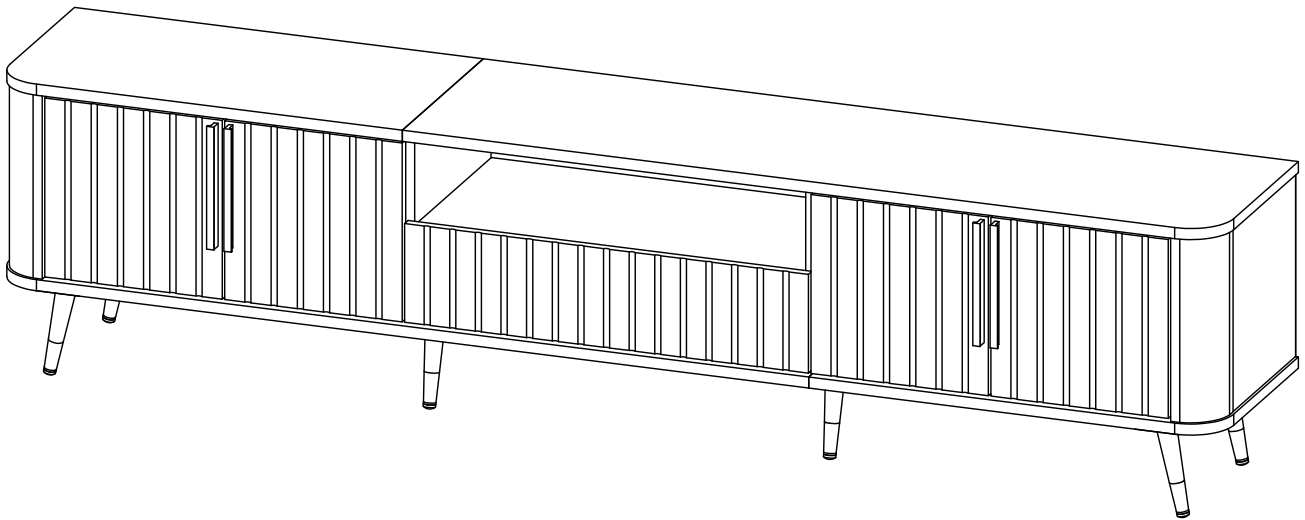


TV Stand

Assembly Instructions - Please keep for future reference



Dimensions

Width-78.74inch

Depth-13.78inch

Height-19.06inch

Important – Please read these instructions fully before starting assembly

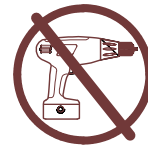


Safety and Care Advice

Important – Please read these instructions fully before starting assembly

- Check you have all the components and tools listed on the following pages.
- Remove all fittings from the plastic bags and separate them into their groups.
- Keep children and animals away from the work area, small parts could choke if swallowed.
- Make sure you have enough space to layout the parts before starting.

- During assembly do not stand or put weight on the product, this could cause damage.
- Assemble the item as close to its final position (in the same room) as possible.
- Assemble on a soft level surface to avoid damaging the unit or your floor.
- Parts of the assembly will be easier with 2 people.



- To reduce the likelihood of damaging your product please ensure that your power drill is set on a low torque setting.

Care and maintenance

- Only clean using a damp cloth and mild detergent, do not use bleach or abrasive cleaners.
- From time to time check that there are no loose screws on this unit.
- This product should not be discarded with household waste. Take to your local authority waste disposal centre.

Handy Hints

- Assemble all parts and bolts loosely during assembly, only once the product is complete should you fully tighten the bolts
- Regularly check and ensure That all bolts and fittings are tightend properly.

WARNING
In order to help prevent overturning – please follow these instructions



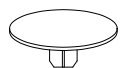

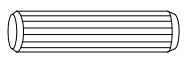




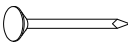
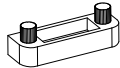

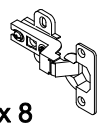



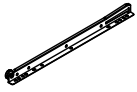



To help prevent product toppling over please follow the below steps:-

- Use the anti tip stap or wall fixing method provided (if applicable)
- Do not allow children to climb or hang on the furniture
- Do not open more than one drawer at a time
- Do not place heavy items in the top drawers
- Do not place heavy items on top of the furniture, unless the furniture has been designed for this purpose

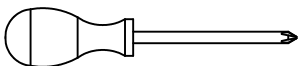
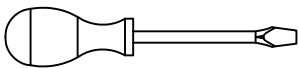
Components - Fittings

Please check you have all the panels listed below

Note: The quantities below are the correct amount to complete the assembly. In some cases more fittings may be supplied than are required.

A1  Cam lock x 16+2	A2  Cam bolt x 16+2	A3  Cam cap x 16+2	B  8*30mm Dowel x 36+2
C  8*40mm Dowel x 6+2	D  6*50mm Screw x 8+2	E  Allen key x 1+1	F  3.5*16mm Screw x 84+2
G  4*38mm Screw x 8+2	H  16mm Nail x 28+2	I  Stopper x 4	J  76*18.6*2mm Bracket x 4
K  Hinges x 8	L1L  300mm runner x 1	L1R  300mm runner x 1	L2L  300mm runner x 1
L2R  300mm runner x 1	M  Handle x 4	N  4*25 Screw x 8+2	O  Metal Leg x 6

Tools required

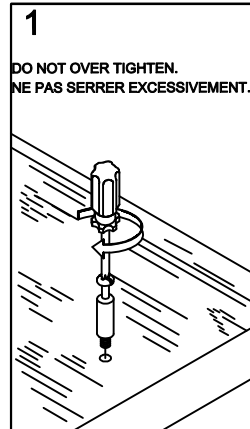


Philips screwdriver
(medium & large)

Using Camlocks

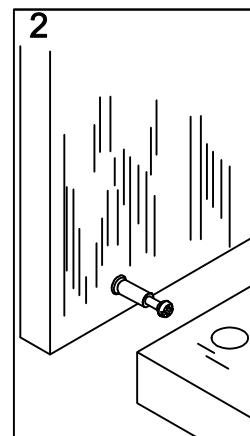
Step 1

Connect the male camlock as directed in the assembly instructions using a screwdriver.



Step 2

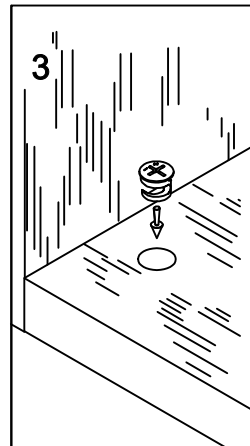
Push the male camlock into the entry hole.



Step 3

Insert the female camlock as shown in the instruction.

Note: ensure that the arrow on the top of the camlock points towards the entry hole for the male camlock.

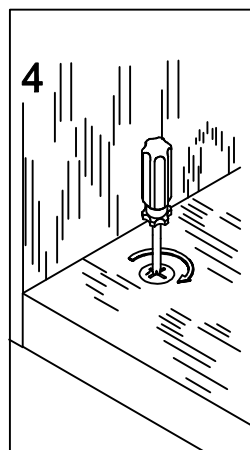


Step 4

Turn the female camlock clockwise with a screwdriver.

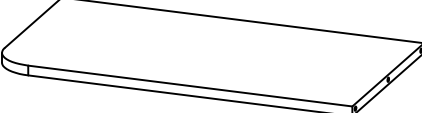

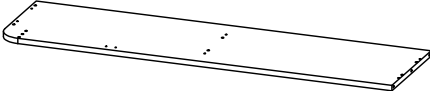
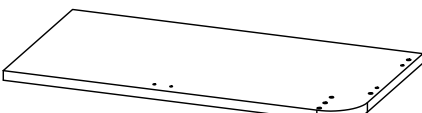
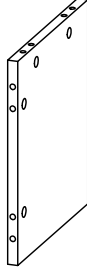
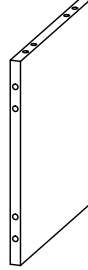
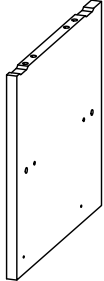
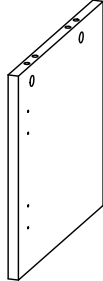
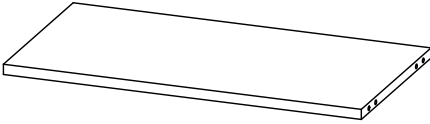
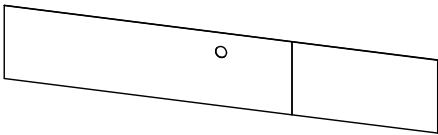
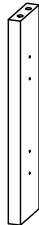
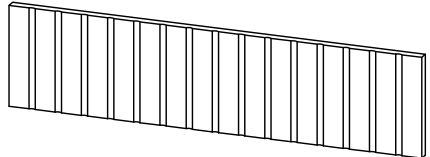
You should feel a click when the camlock is locked in place.

The joint is now secure.

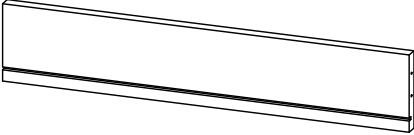
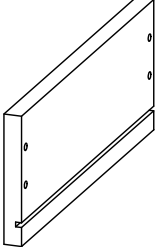
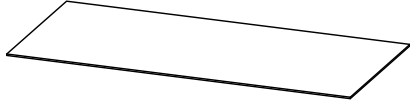
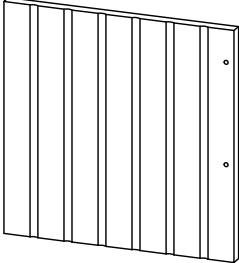
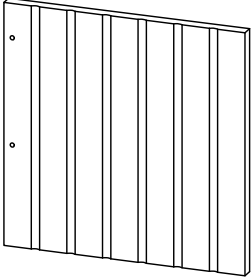
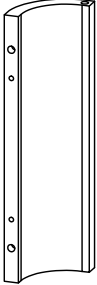


Components - Parts

Please check you have all the panels listed below

<p>①</p> 	<p>②</p> 	<p>③</p> 
<p>Top Panel (L) 668*350*18 1 PC</p>	<p>Top Panel (R) 1332*350*18 1 PC</p>	<p>Bottom Panel (L) 1332*350*18 1 PC</p>
<p>④</p> 	<p>⑤</p> 	<p>⑥</p> 
<p>Bottom Panel (R) 668*350*18 1 PC</p>	<p>Side Panel (L) 298*272*15 1 PC</p>	<p>Side Panel (R) 298*272*15 1 PC</p>
<p>⑦</p> 	<p>⑧</p> 	<p>⑨</p> 
<p>Center Panel (L) 298*330*15 1 PC</p>	<p>Center Panel (R) 298*330*15 1 PC</p>	<p>Middle Panel 638*329*18 1 PC</p>
<p>⑩</p> 	<p>⑪</p> 	<p>⑫</p> 
<p>Back Panel 1989*332*2.5 1 PC</p>	<p>Door Support 298*72*18 2 PCS</p>	<p>Drawer Front 660*160*15 1 PC</p>

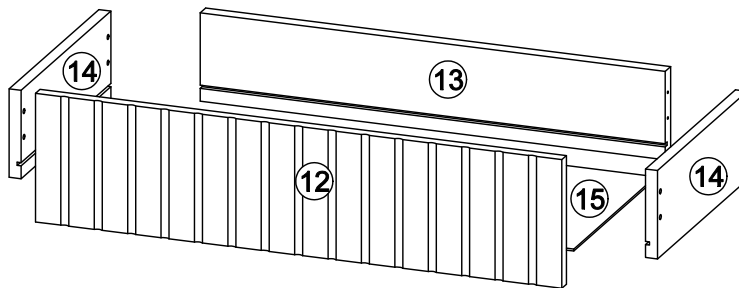
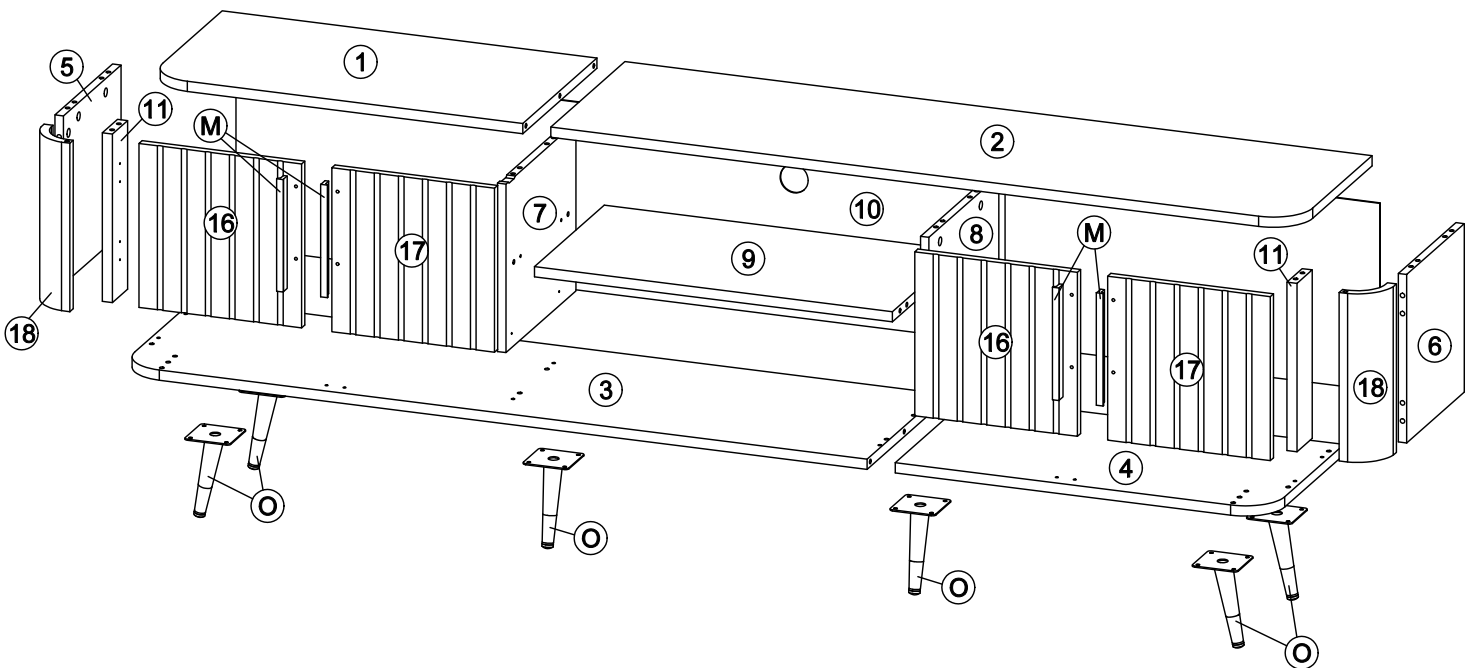
Components - Parts

<p>⑬</p> 	<p>⑭</p> 	<p>⑮</p> 
<p>Drawer Back 583*110*18 1 PC</p>	<p>Drawer Side 298*110*15 2 PCS</p>	<p>Drawer Bottom 272*593*2.5 1 PC</p>
<p>⑯</p> 	<p>⑰</p> 	<p>⑱</p> 
<p>Door Panel (L) 290*290*15 2 PCS</p>	<p>Door Panel (R) 290*290*15 2 PCS</p>	<p>Leg Corner 298*104*36 2 PCS</p>

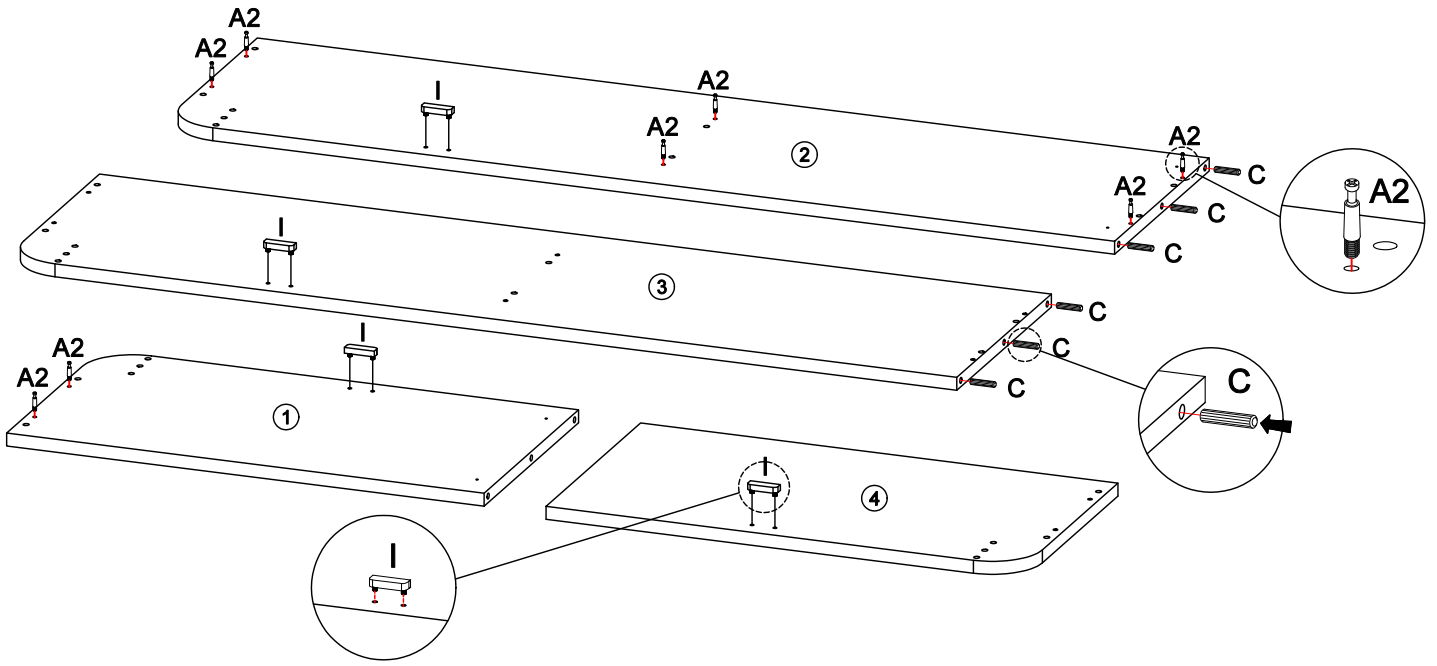
Assembly Instructions

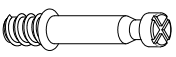

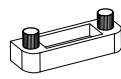


There is a protective film at gold edge, please tear it off after assembly.

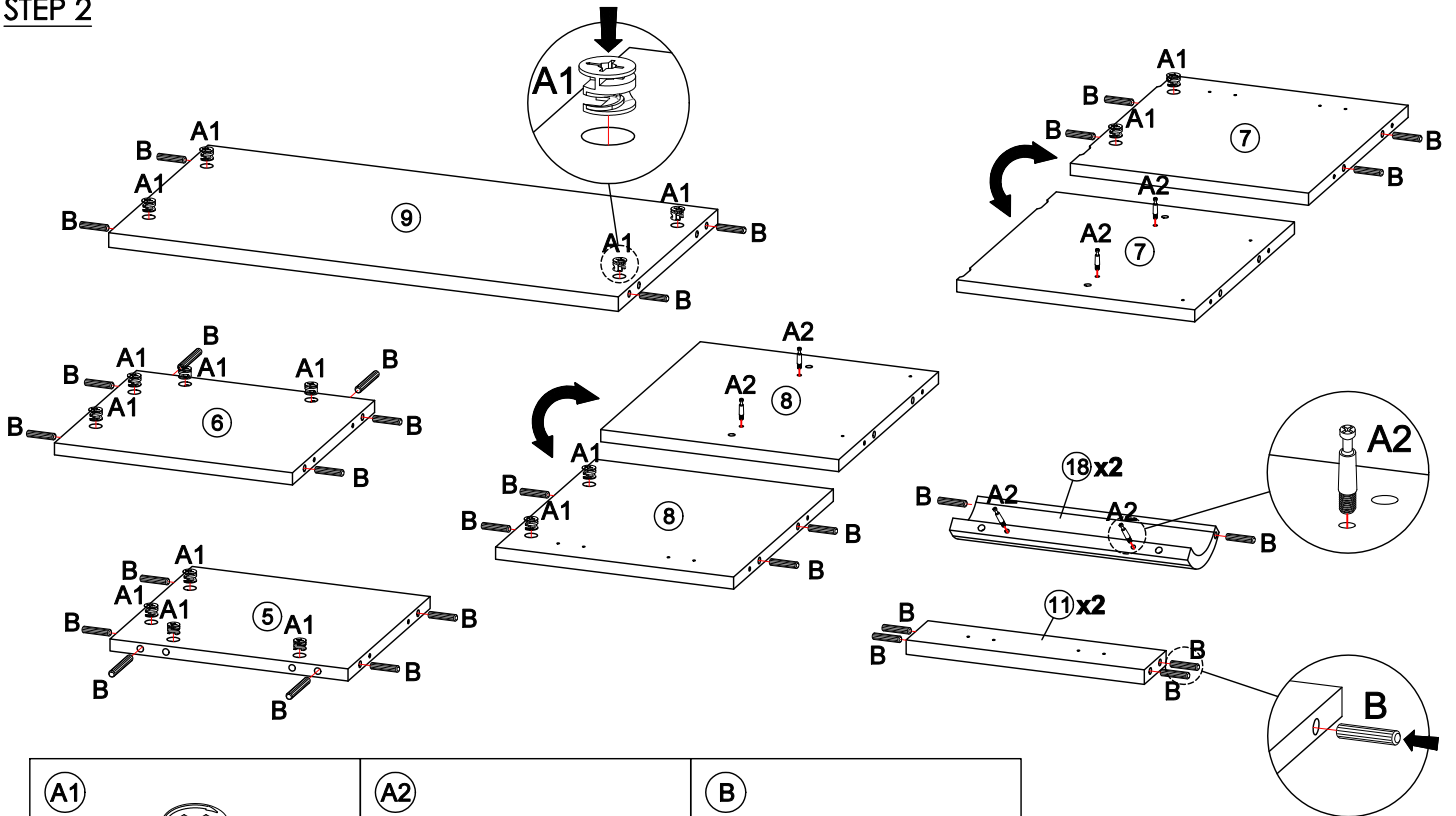



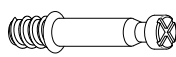

STEP 1



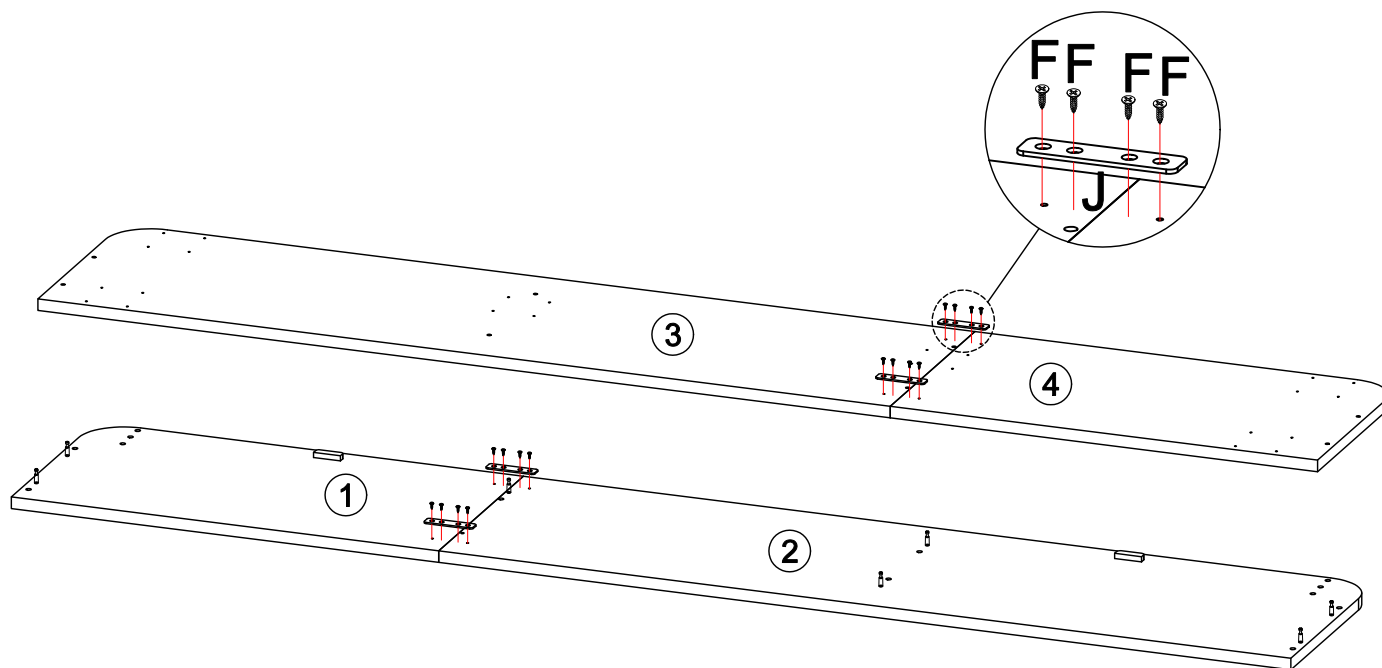
<p>(A2)</p>  <p>Cam bolt x 8</p>	<p>(C)</p>  <p>8*40mm Dowel x 6</p>	<p>(I)</p>  <p>Stopper x 4</p>
---	--	---

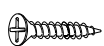
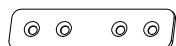
STEP 2



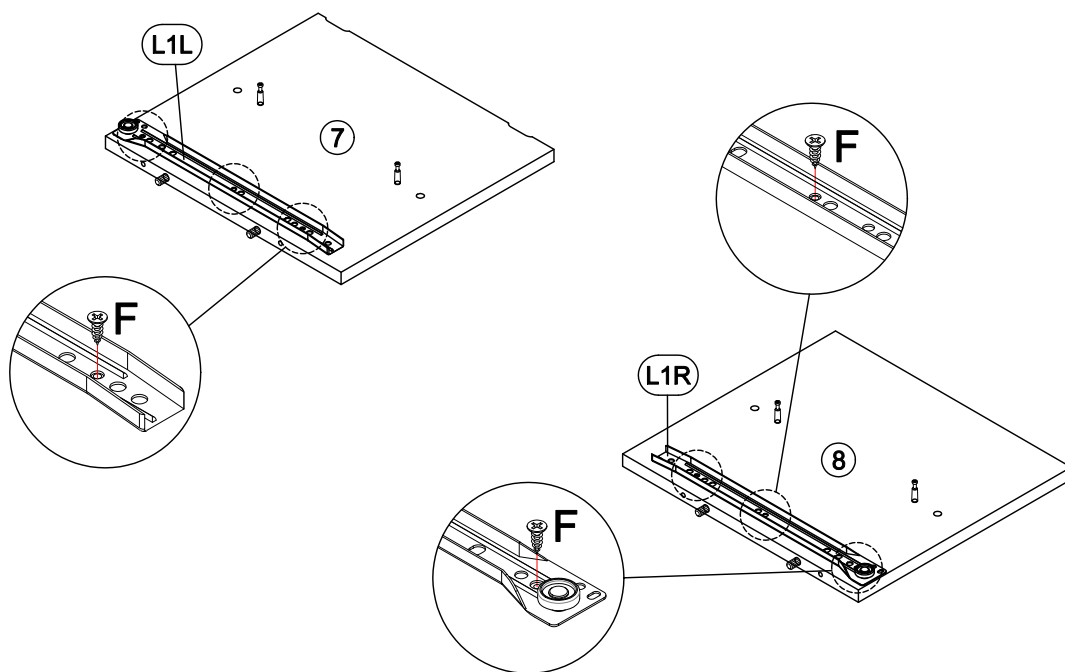
<p>(A1)</p>  <p>Cam lock x 16</p>	<p>(A2)</p>  <p>Cam bolt x 8</p>	<p>(B)</p>  <p>8*30mm Dowel x 36</p>
---	--	--

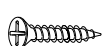


STEP 3



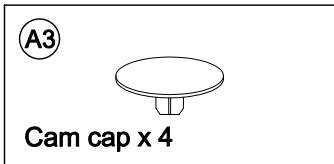
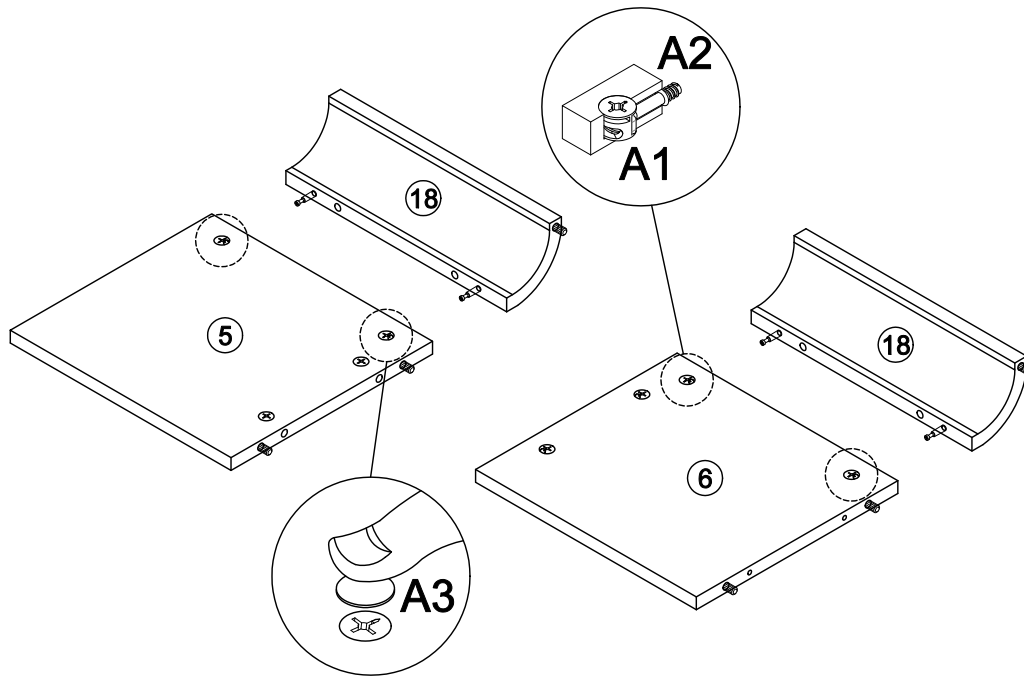
<p>F</p>  <p>3.5*16 Screw x 16</p>	<p>J</p>  <p>76*18.6*2mm Bracket x 4</p>
--	--

STEP 4

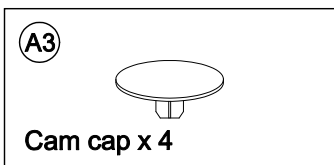
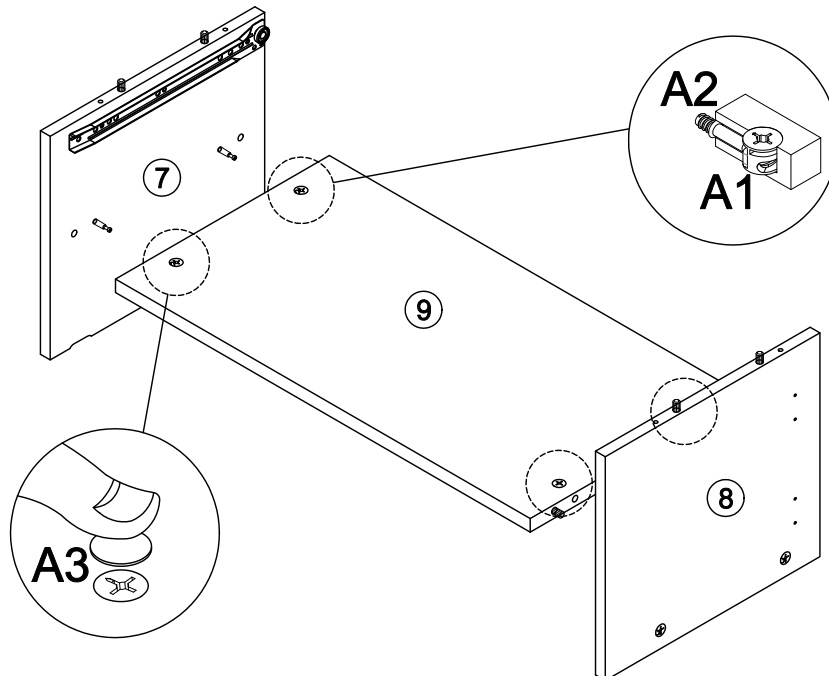


<p>F</p>  <p>3.5*16 Screw x 6</p>	<p>L1L</p>  <p>300mm runner x 1</p>	<p>L1R</p>  <p>300mm runner x 1</p>
--	--	--

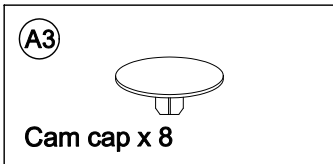
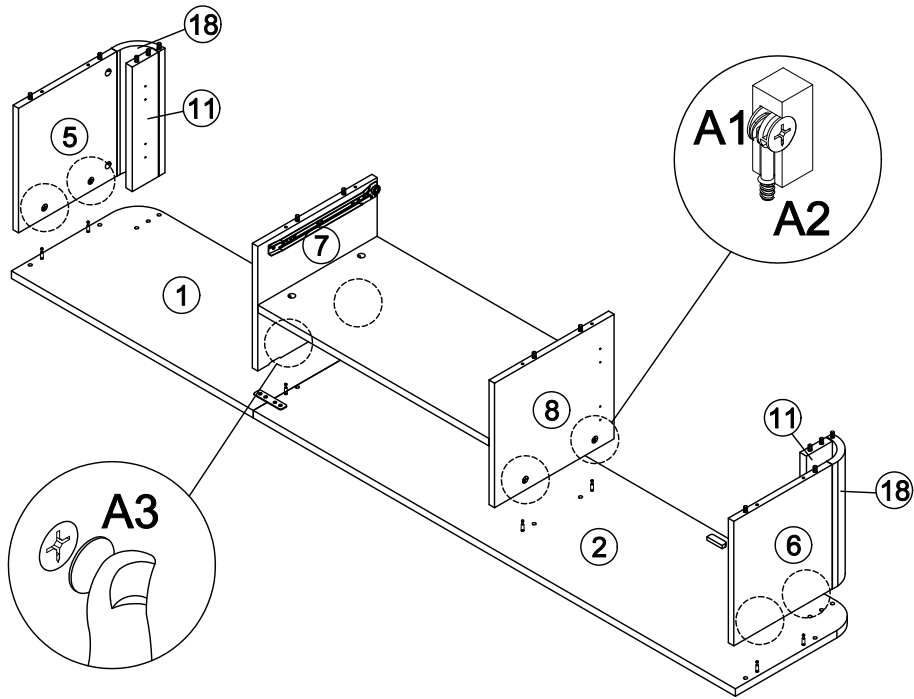
STEP 5



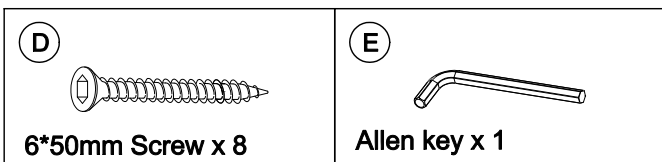
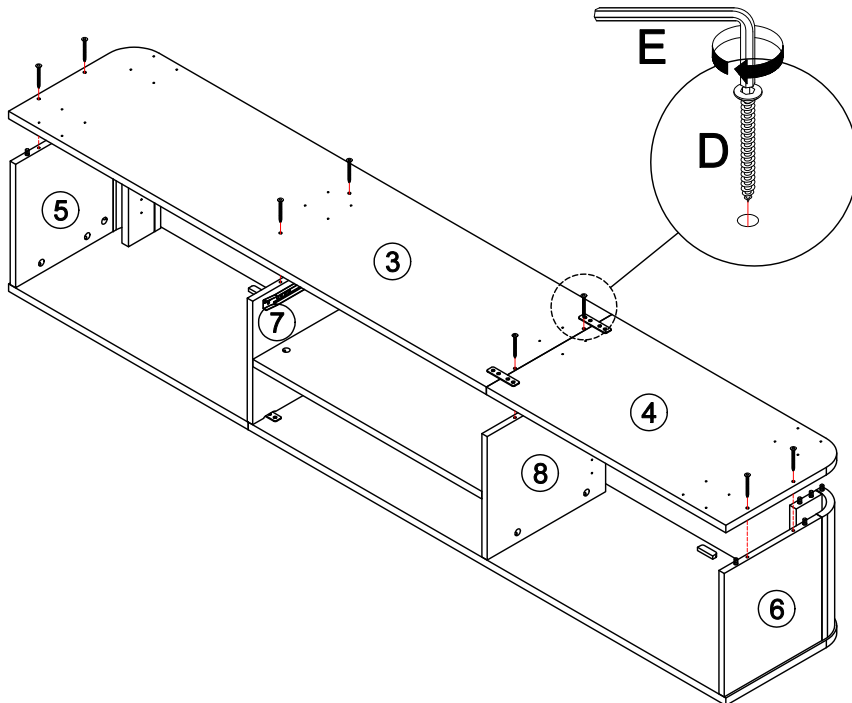
STEP 6



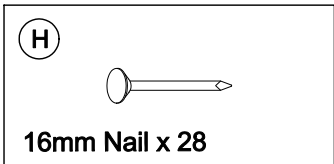
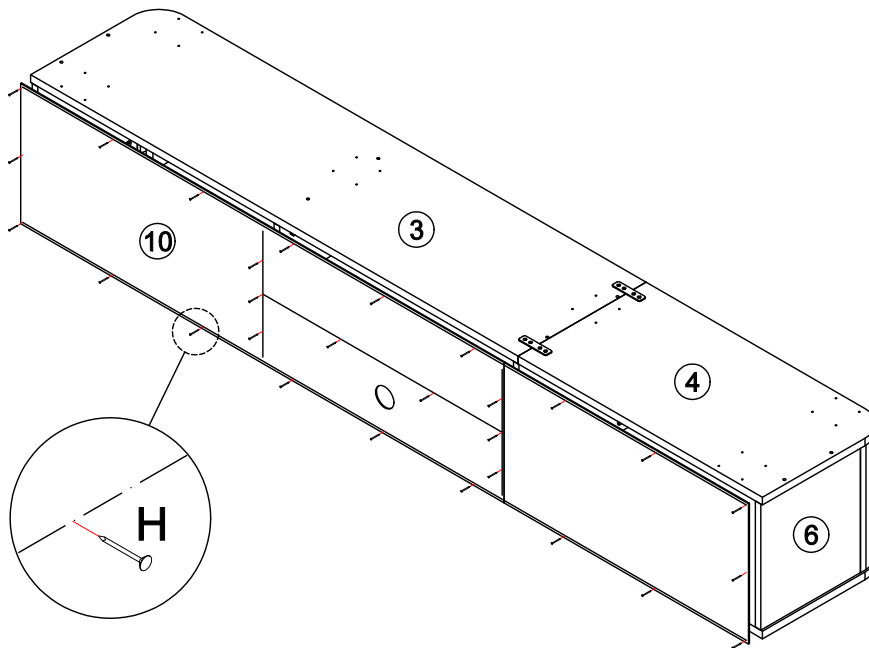
STEP 7



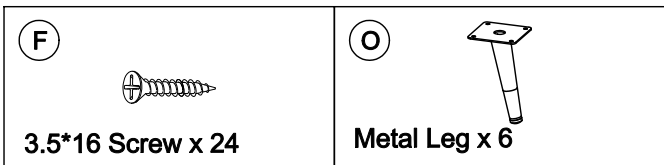
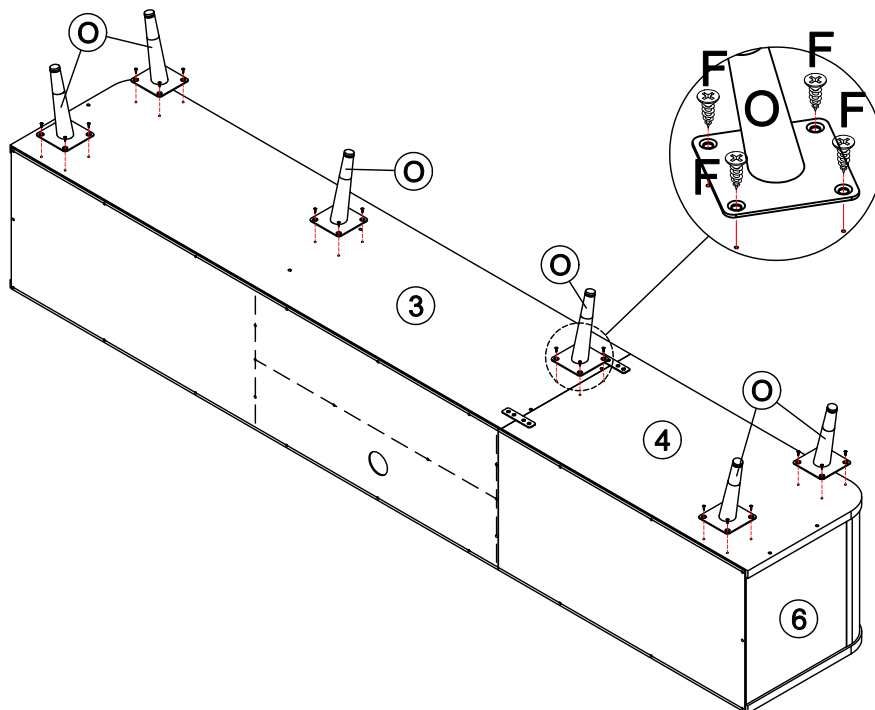
STEP 8



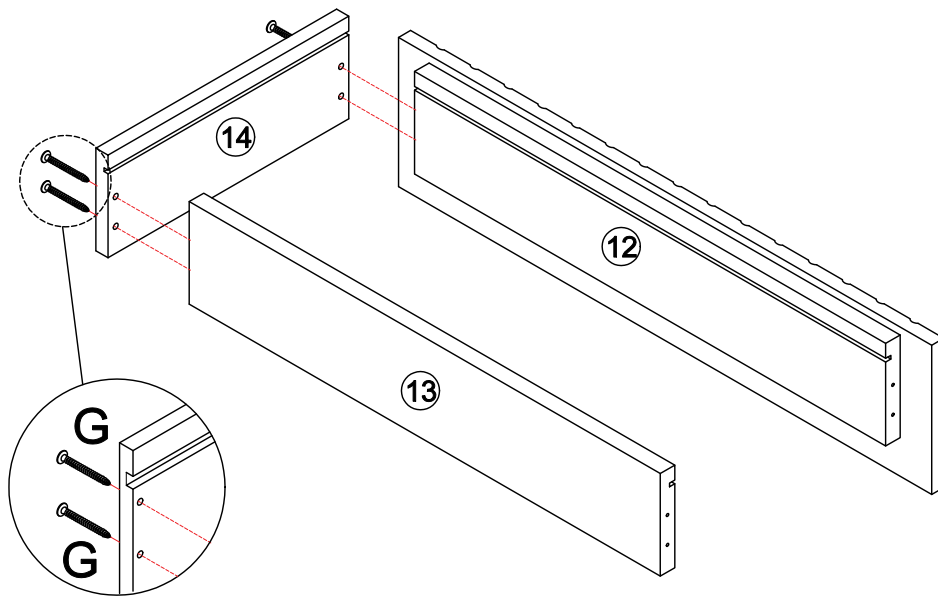
STEP 9



STEP 10



STEP 11

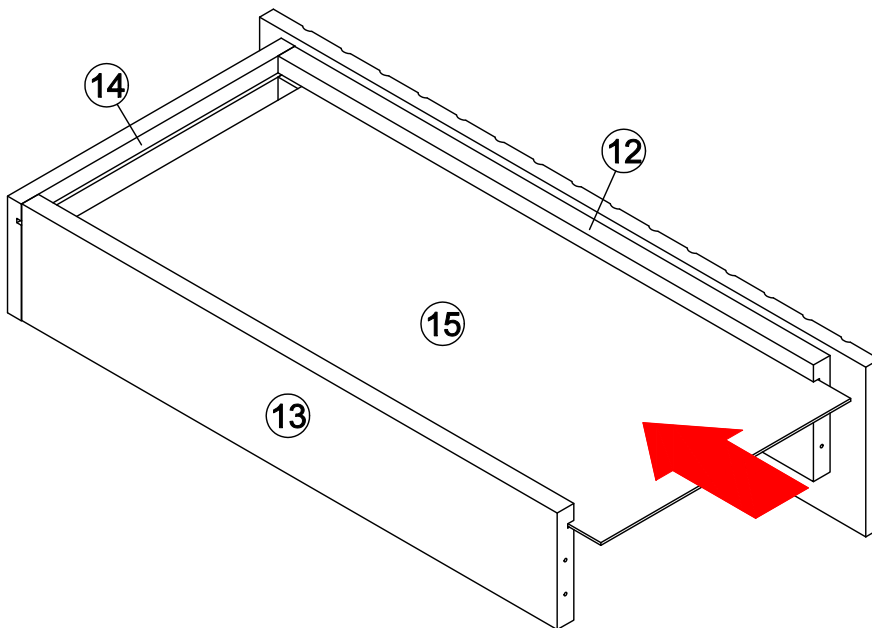


G

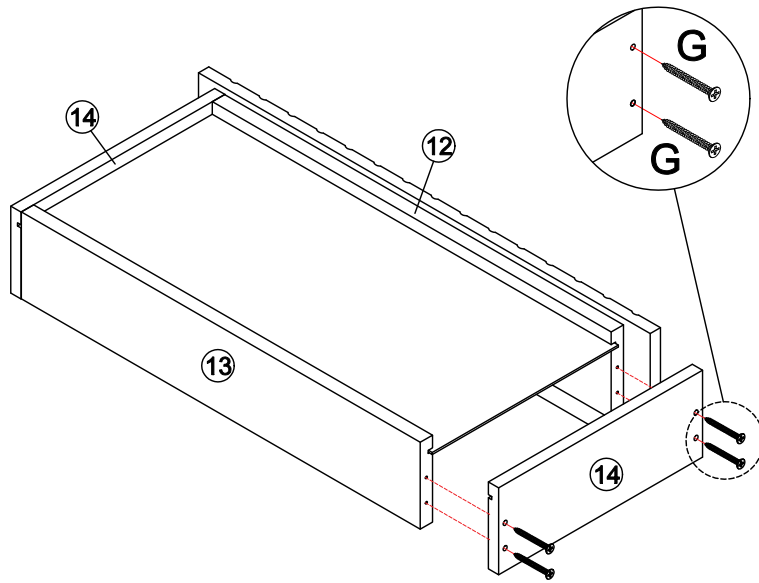


4*38mm Screw x 4

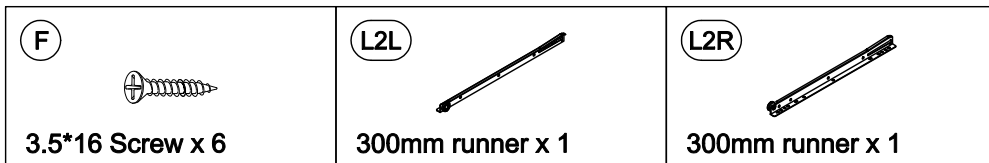
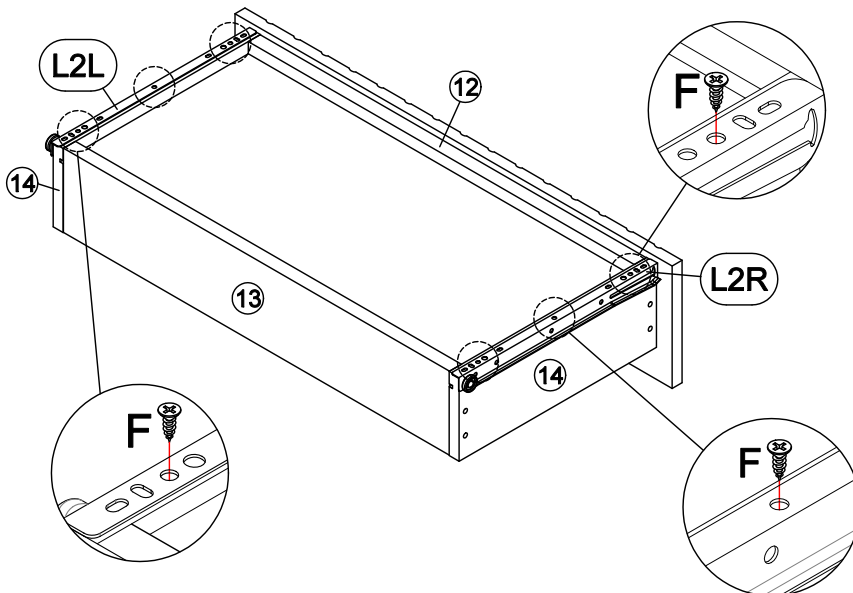
STEP 12



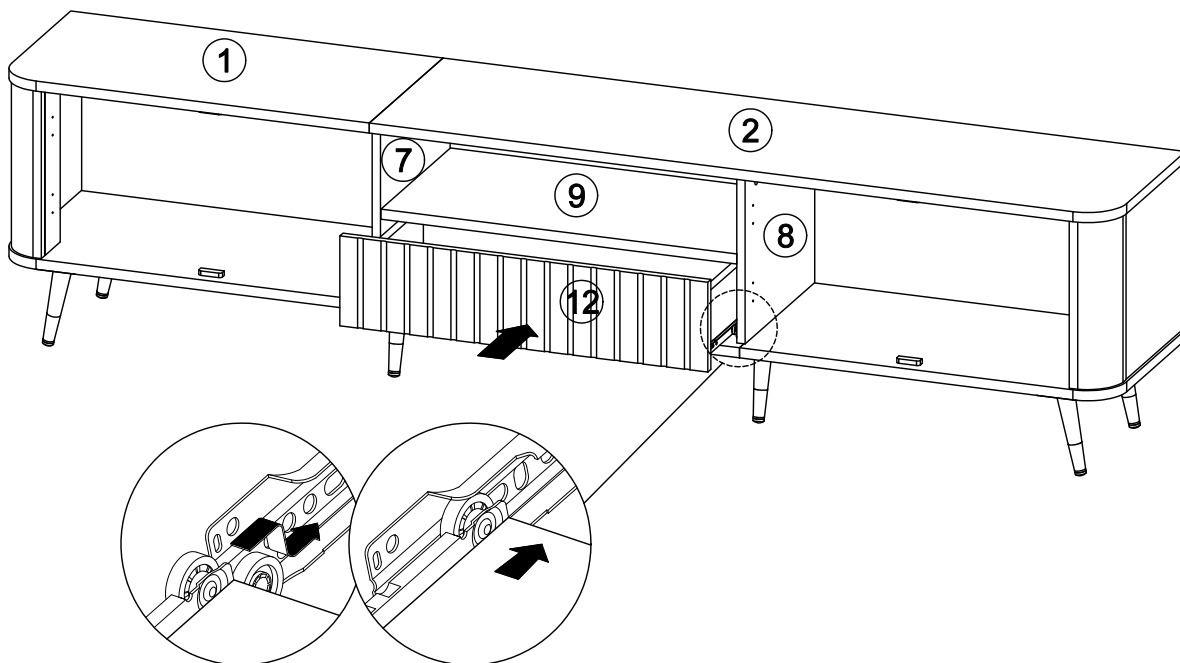
STEP 13



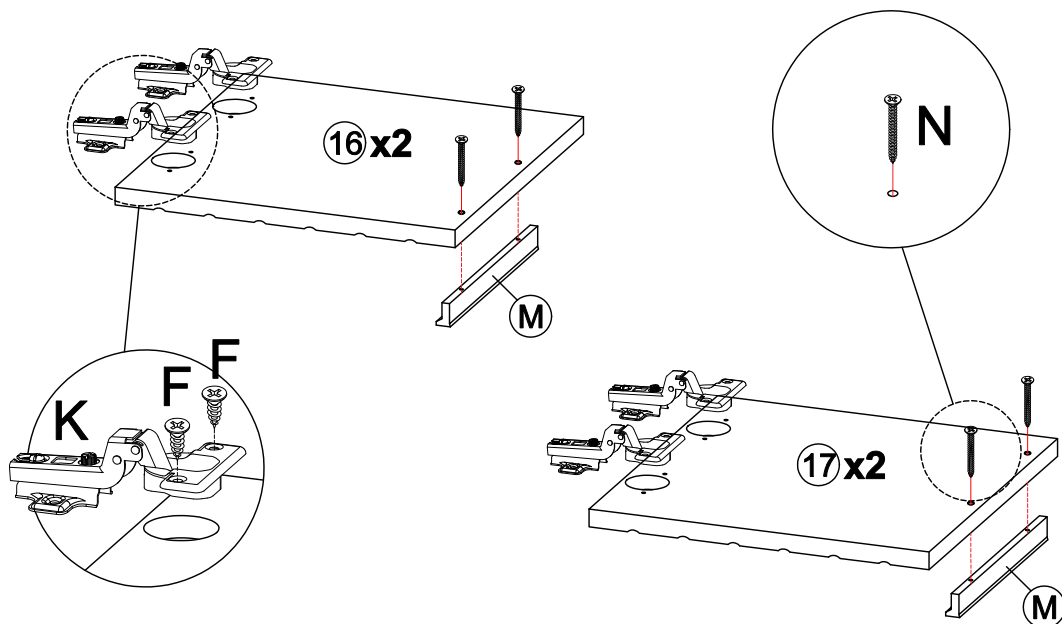
STEP 14



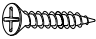
STEP 15



STEP 16

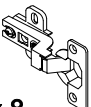


F




3.5*16 Screw x 16

K



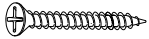
Hinges x 8

M



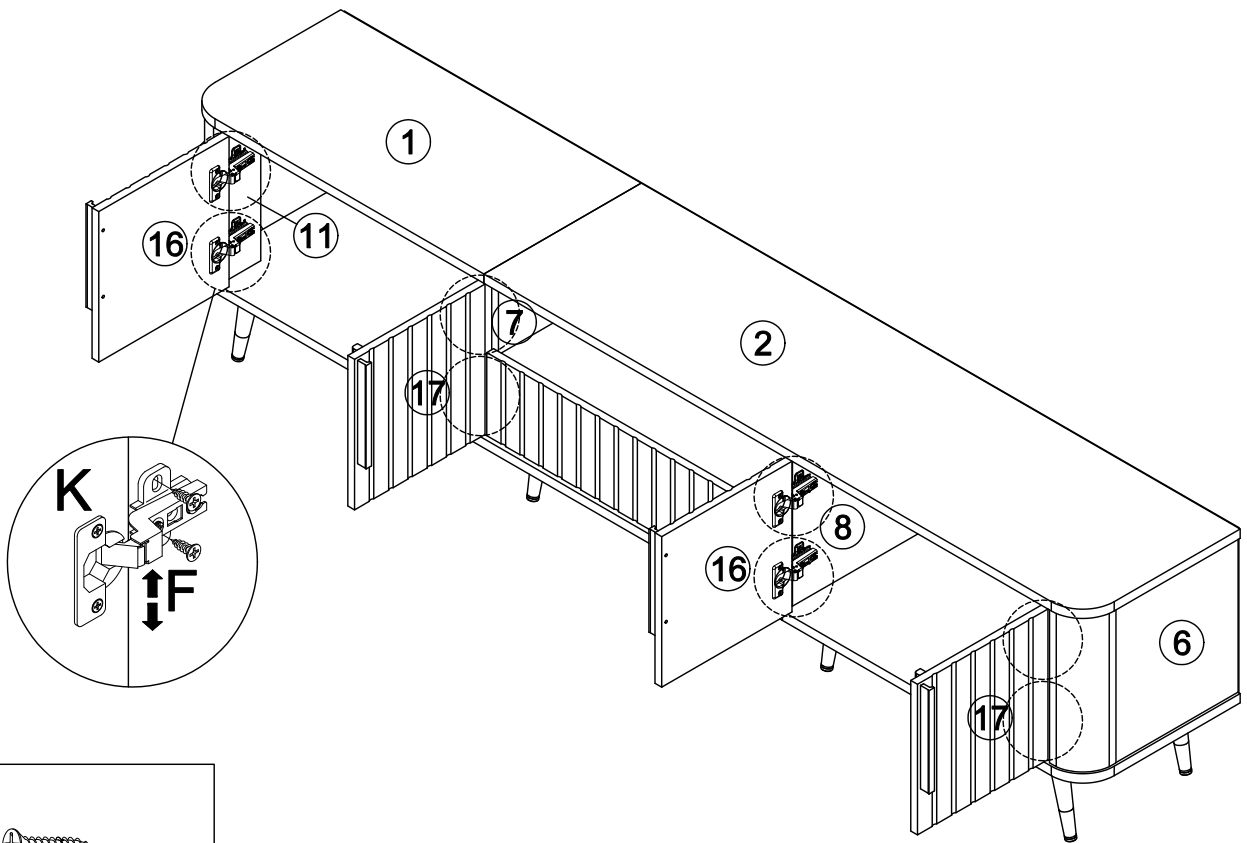
Handle x 4

N

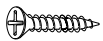


4*25 Screw x 8

STEP 17



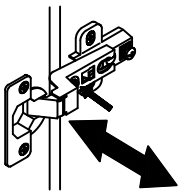
F



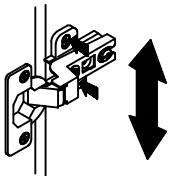
3.5*16 Screw x 16

HINGE ADJUSTMENT GUIDE

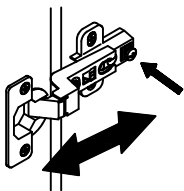
It may be necessary to adjust the hinges so that the doors align.
Use the instructions below as a guide.



To adjust the door horizontal loosen the screw as shown by turning clockwise or anti-clockwise.



To adjust the door vertically loosen the screw as shown and move up and down as needed.



To adjust the gap from the door to the main frame turn the screw clockwise or anti-clockwise as needed.

STEP 18



**There is a protective film
at gold edge, please tear
it off after assembly.**

