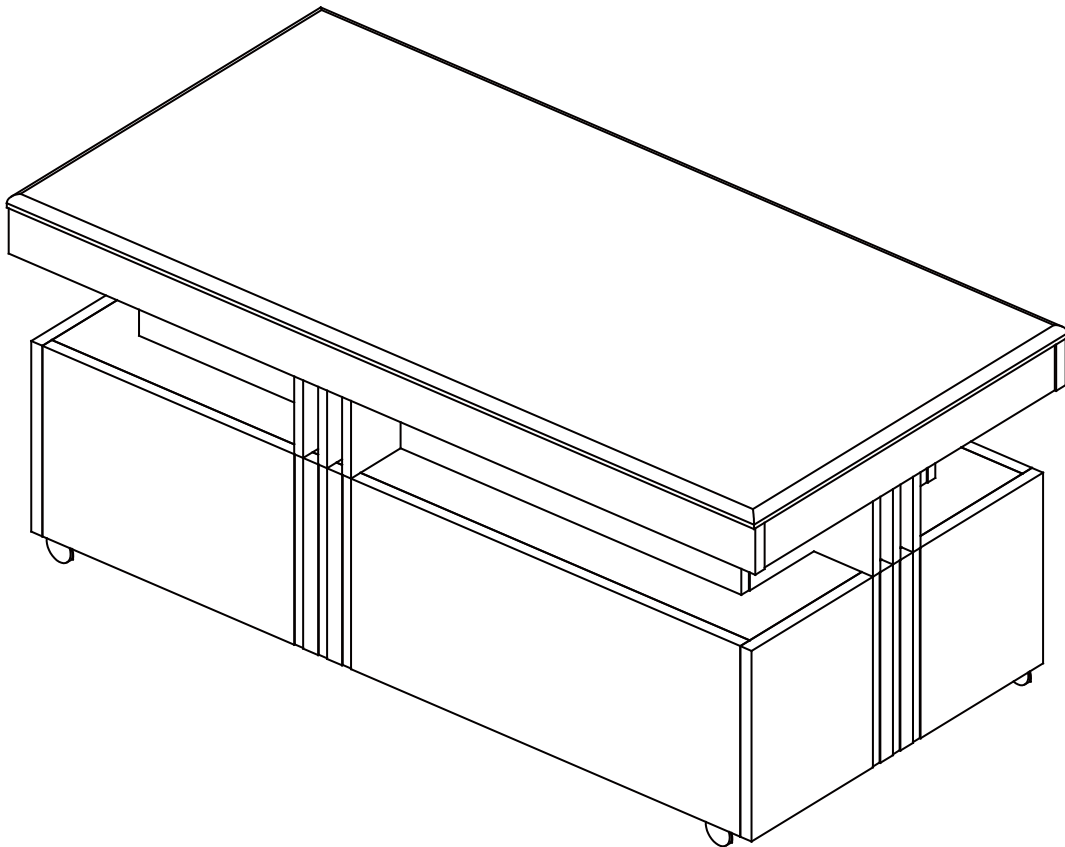


# COFFEE TABLE

Assembly Instructions - Please keep for future reference



## Dimensions

Width-39.37inch

Depth-19.69inch

Height-17.5inch

Important – Please read these instructions fully before starting assembly



# Safety and Care Advice

**Important – Please read these instructions fully before starting assembly**

- Check you have all the components and tools listed on the following pages.
- Remove all fittings from the plastic bags and separate them into their groups.
- Keep children and animals away from the work area, small parts could choke if swallowed.
- Make sure you have enough space to layout the parts before starting.

- During assembly do not stand or put weight on the product, this could cause damage.
- Assemble the item as close to its final position (in the same room) as possible.
- Assemble on a soft level surface to avoid damaging the unit or your floor.
- Parts of the assembly will be easier with 2 people.



power drill is set on a low torque setting.

- To reduce the likelihood of damaging your product please ensure that your

## Care and maintenance

- Only clean using a damp cloth and mild detergent, do not use bleach or abrasive cleaners.
- From time to time check that there are no loose screws on this unit.
- This product should not be discarded with household waste. Take to your local authority waste disposal centre.

## Handy Hints

- Assemble all parts and bolts loosely during assembly, only once the product is complete should you fully tighten the bolts
- Regularly check and ensure That all bolts and fittings are tightend properly.

**WARNING**  
**In order to help prevent overturning – please follow these instructions**

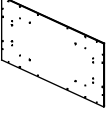

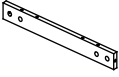
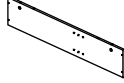
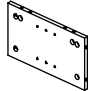
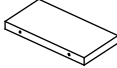
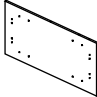
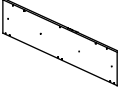

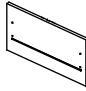
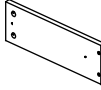
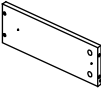
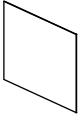

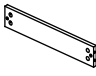




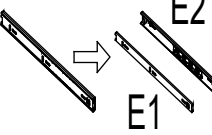




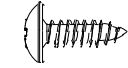
To help prevent product toppling over please follow the below steps:-

- Use the anti tip stap or wall fixing method provided (if applicable)
- Do not allow children to climb or hang on the furniture
- Do not open more than one drawer at a time
- Do not place heavy items in the top drawers
- Do not place heavy items on top of the furniture, unless the furniture has been designed for this purpose

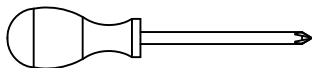
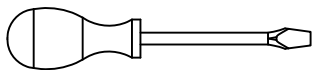
# Components - Fittings

Please check you have all the panels listed below

Note: The quantities below are the correct amount to complete the assembly. In some cases more fittings may be supplied than are required.

					
① x1PC	② x2PCS	③ x2PCS	④ x2PCS	⑤ x2PCS	⑥ x12PCS
					
⑦ x1PC	⑧ x2PCS	⑨ x1PCS	⑩ x2PCS	⑪ x2PCS	⑫ x2PCS
					
⑬ x2PCS	⑭ x2PCS	⑮ x2PCS			
					
A x58PCS	B x58PCS	C x28PCS	D x32PCS	E x4PCS	F x16PCS
					
G x2PCS	H x8PCS	I x16PCS	J x1PC		

## Tools required



Phillips screwdriver  
(medium & large)

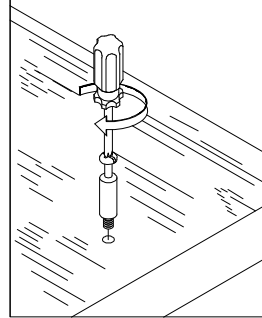
# Using Camlocks

## Step 1

Connect the male camlock as directed in the assembly instructions using a screwdriver.

1

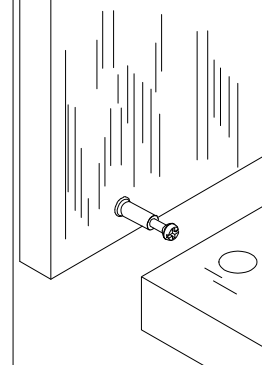
DO NOT OVER TIGHTEN.  
NE PAS SERRER EXCESSIVEMENT.



## Step 2

Push the male camlock into the entry hole.

2

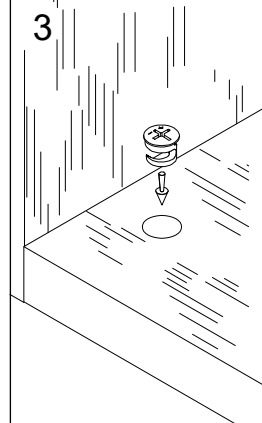


## Step 3

Insert the female camlock as shown in the instruction.

Note: ensure that the arrow on the top of the camlock points towards the entry hole for the male camlock.

3



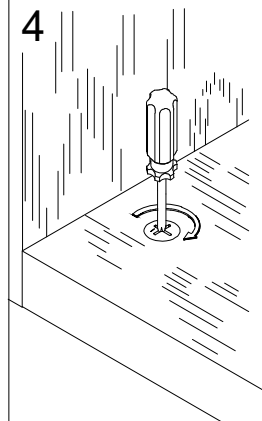
## Step 4

Turn the female camlock clockwise with a screwdriver.

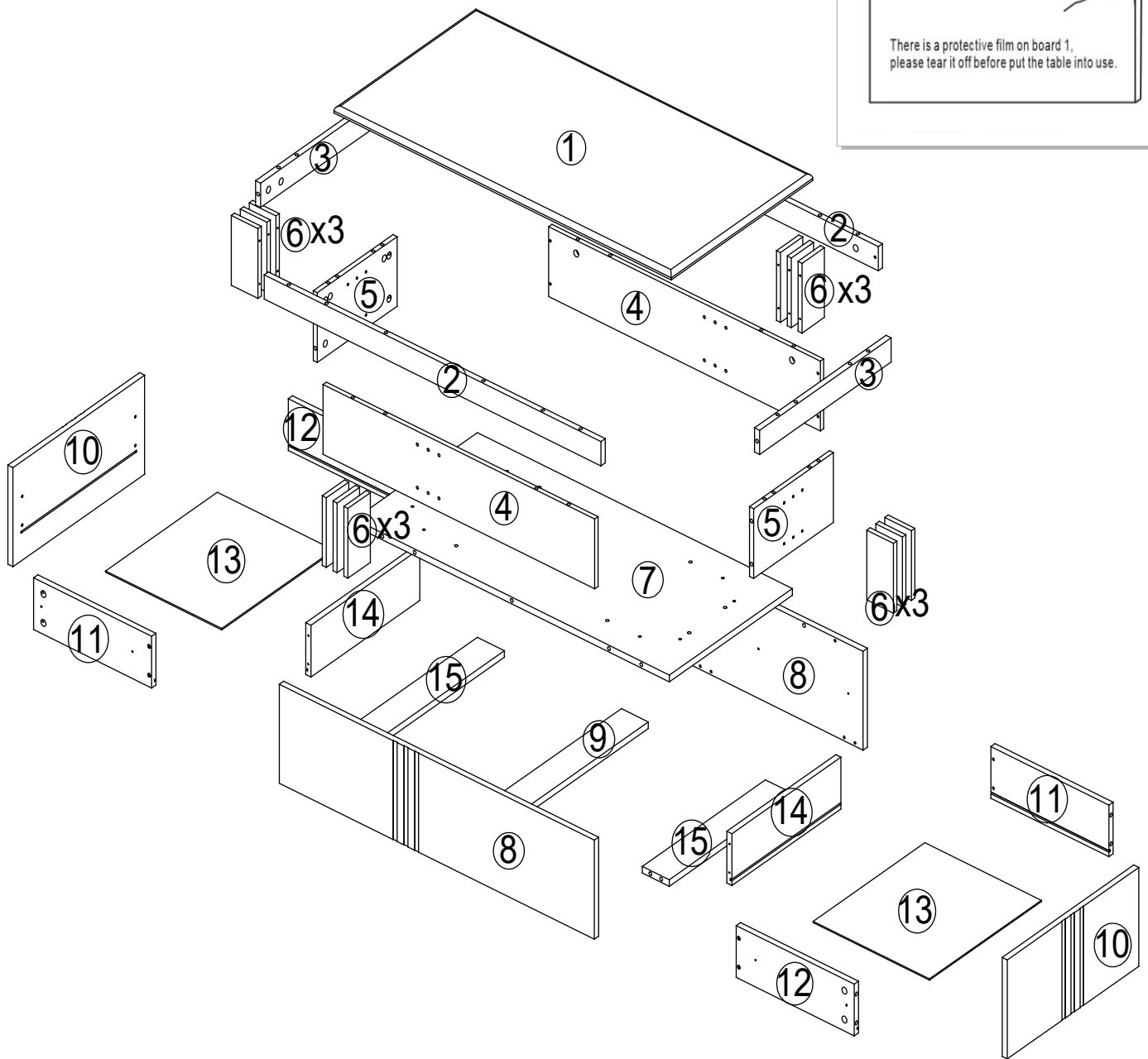
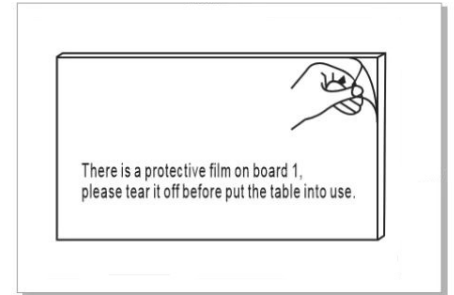
You should feel a click when the camlock is locked in place.

The joint is now secure.

4

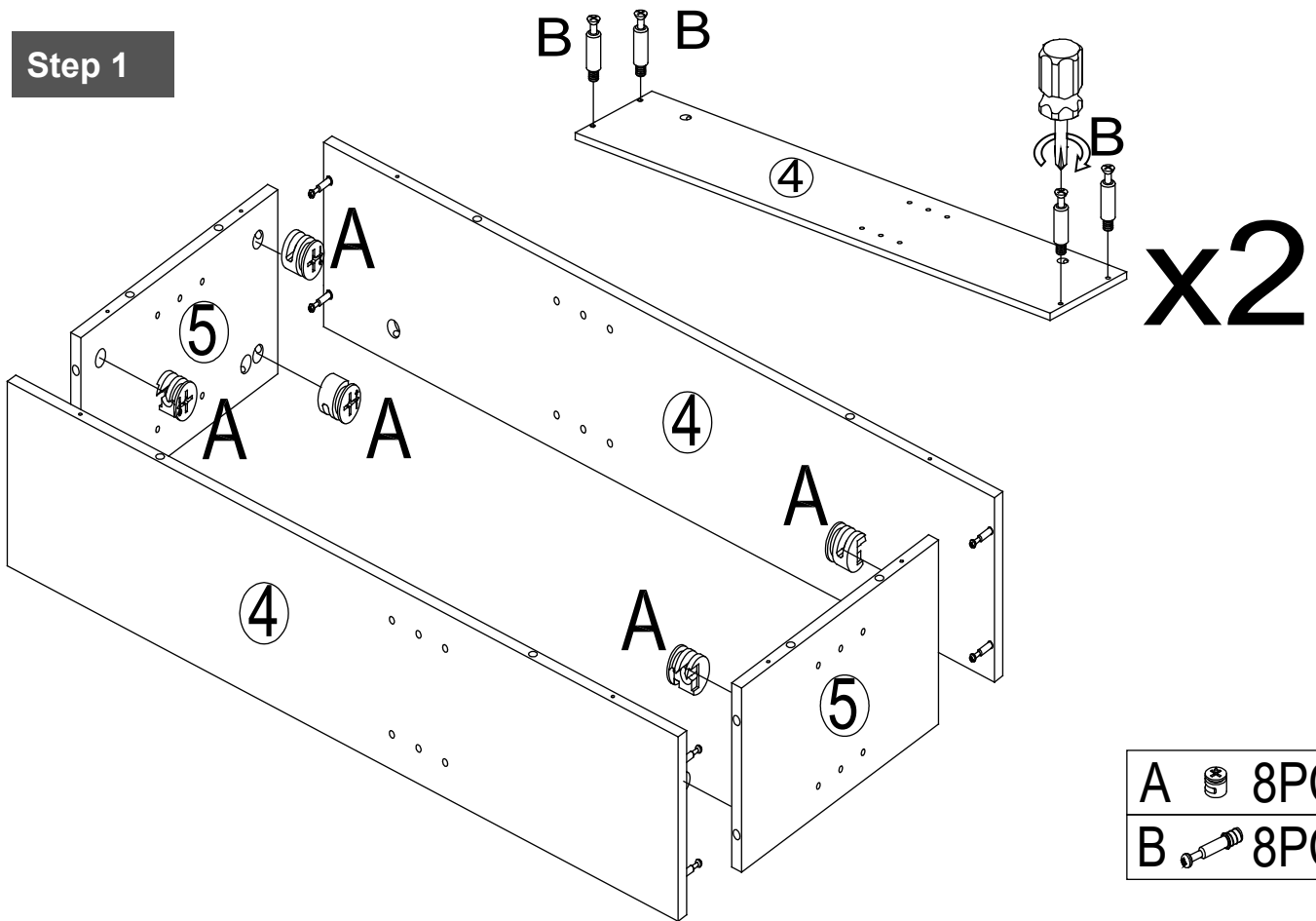


# Assembly Instructions

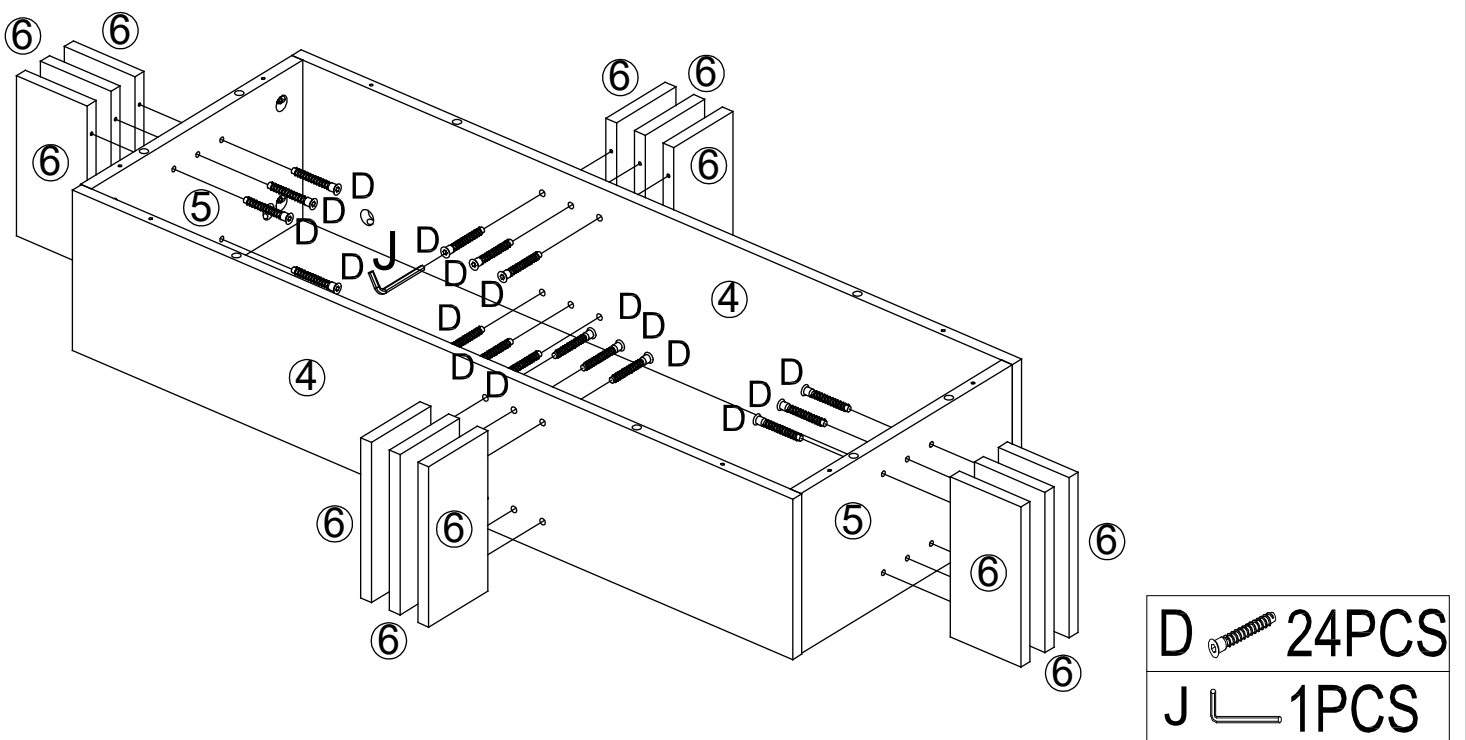


# Assembly Instructions

## Step 1

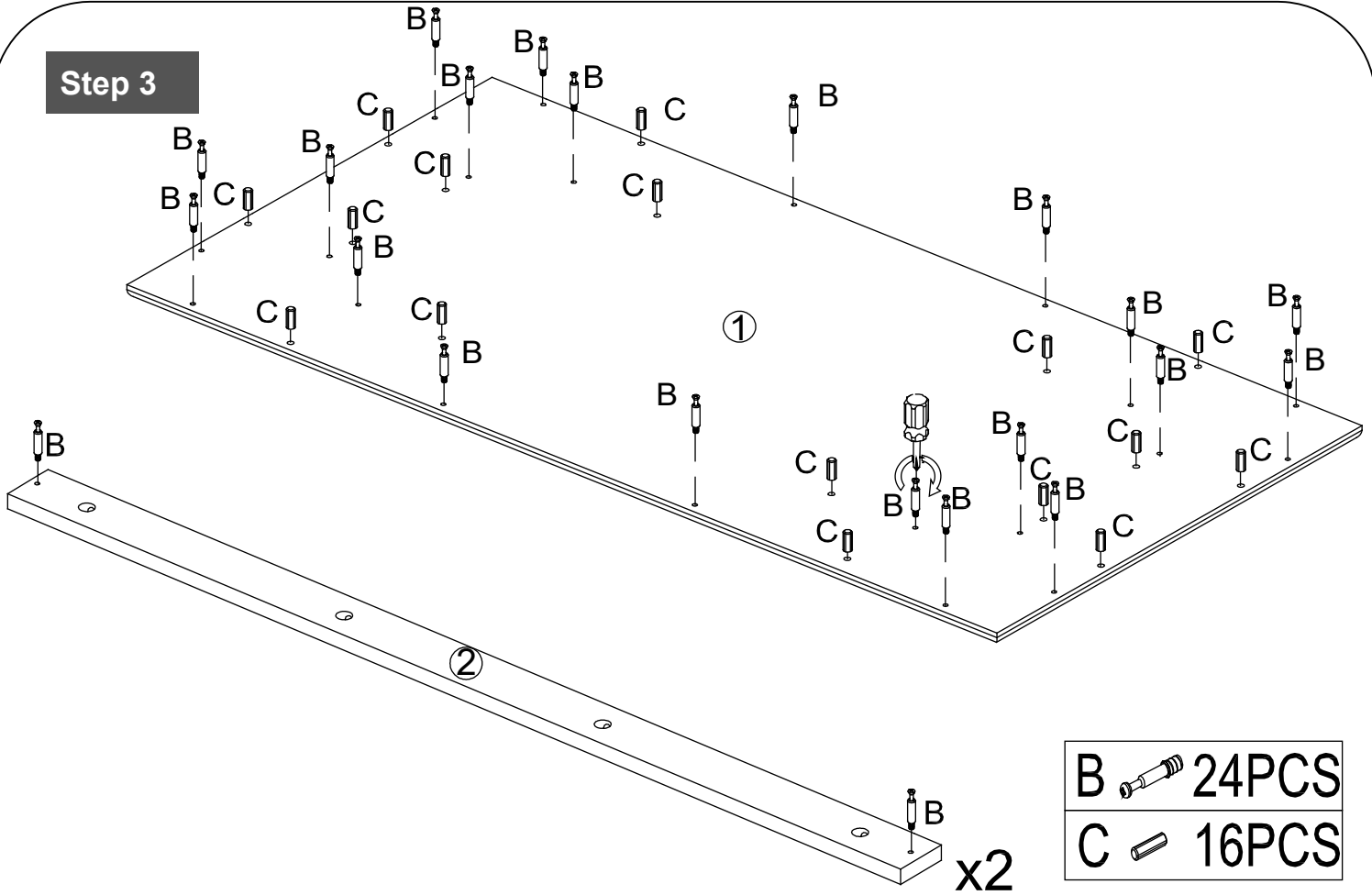


## Step 2

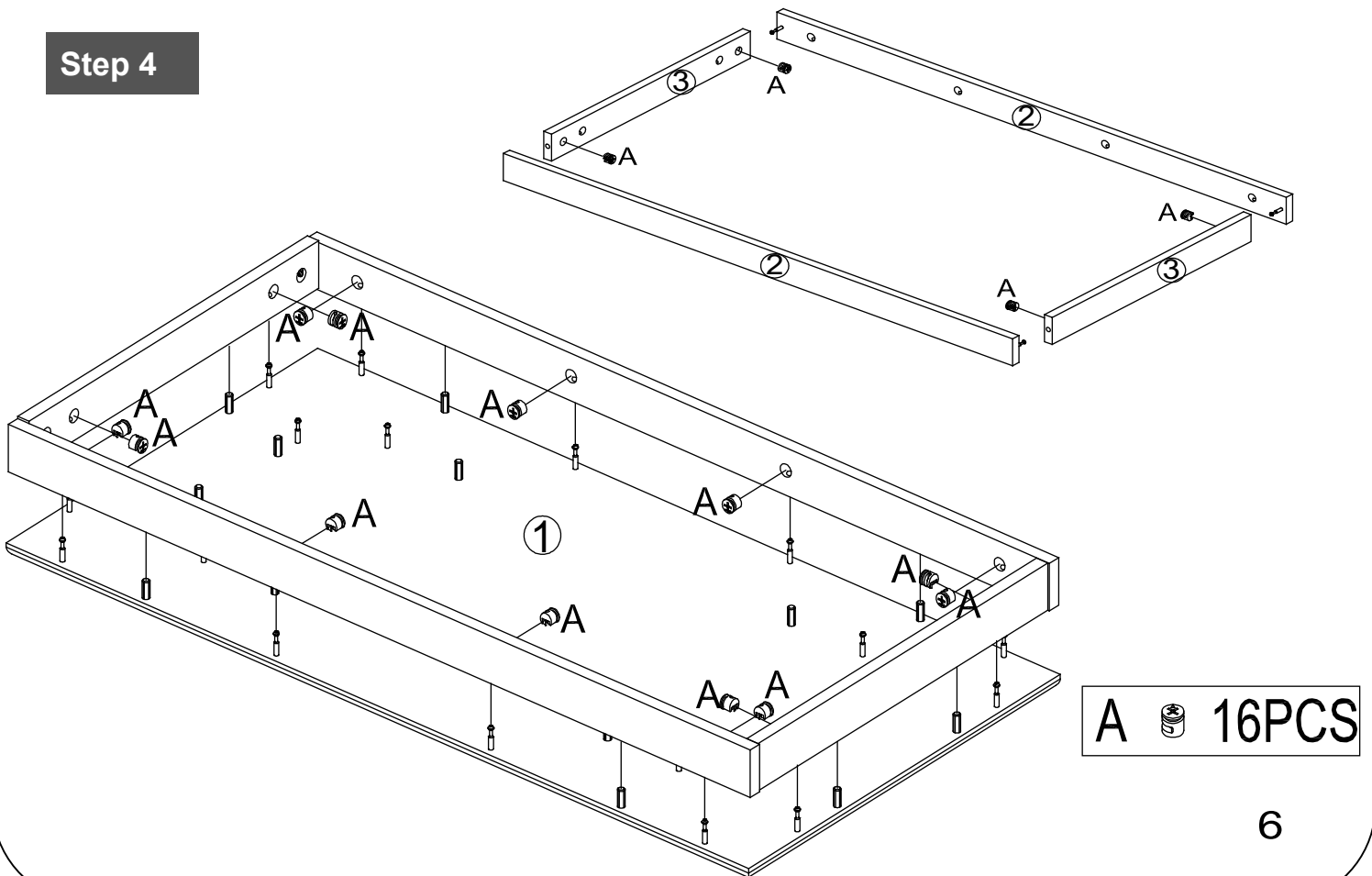


# Assembly Instructions

## Step 3

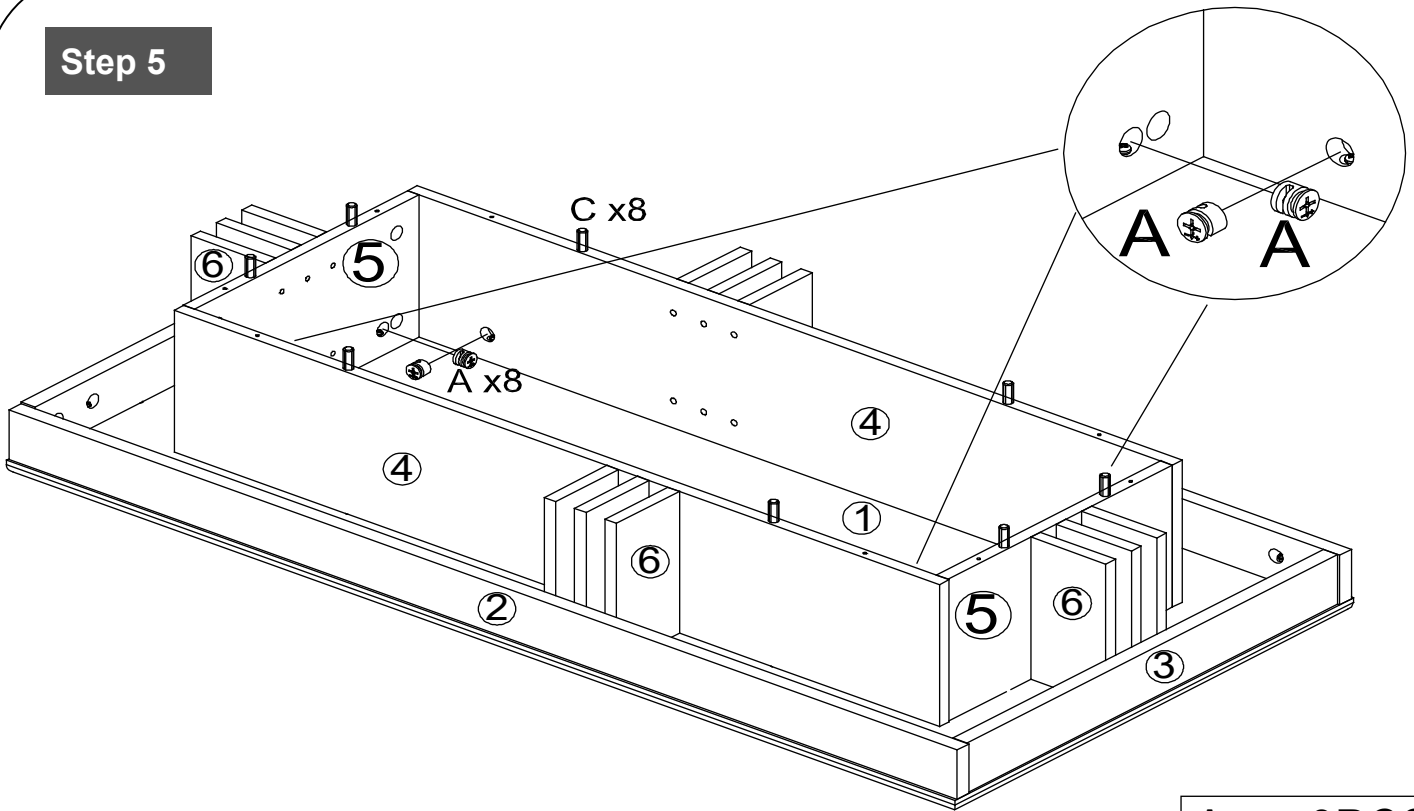




## Step 4



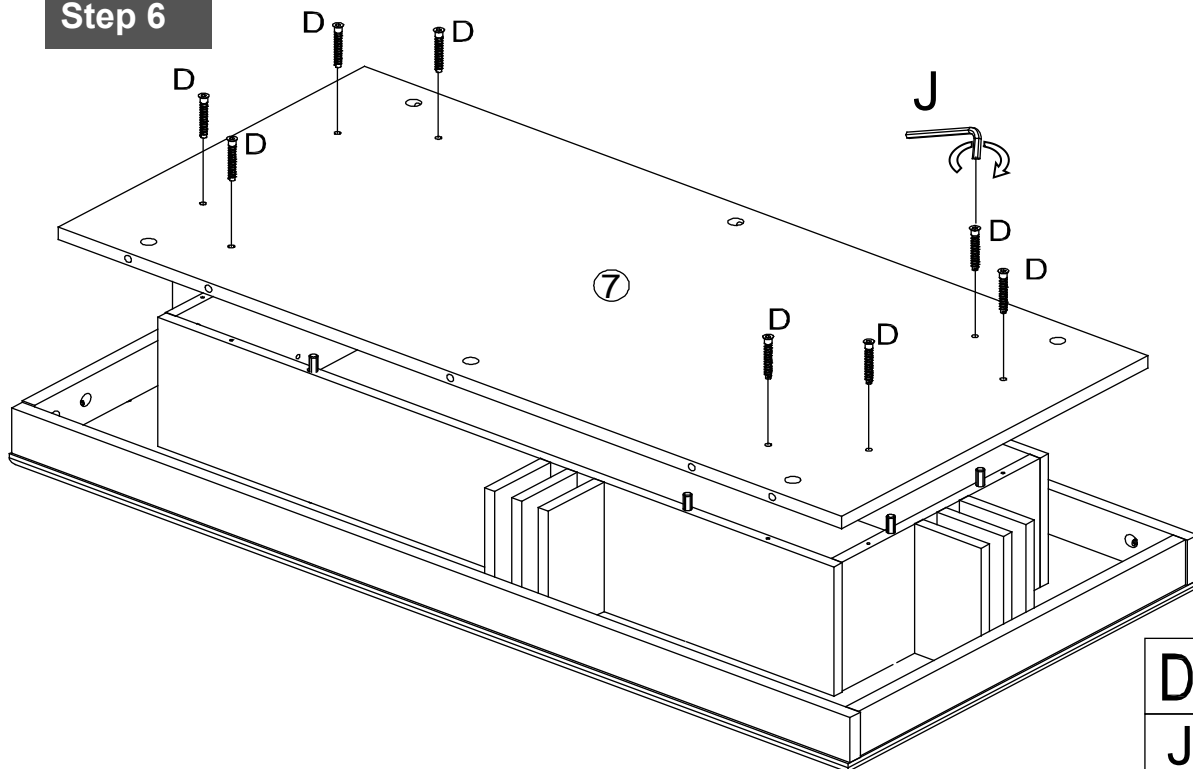
# Assembly Instructions



## Step 5



A		8PCS
C		8PCS

## Step 6

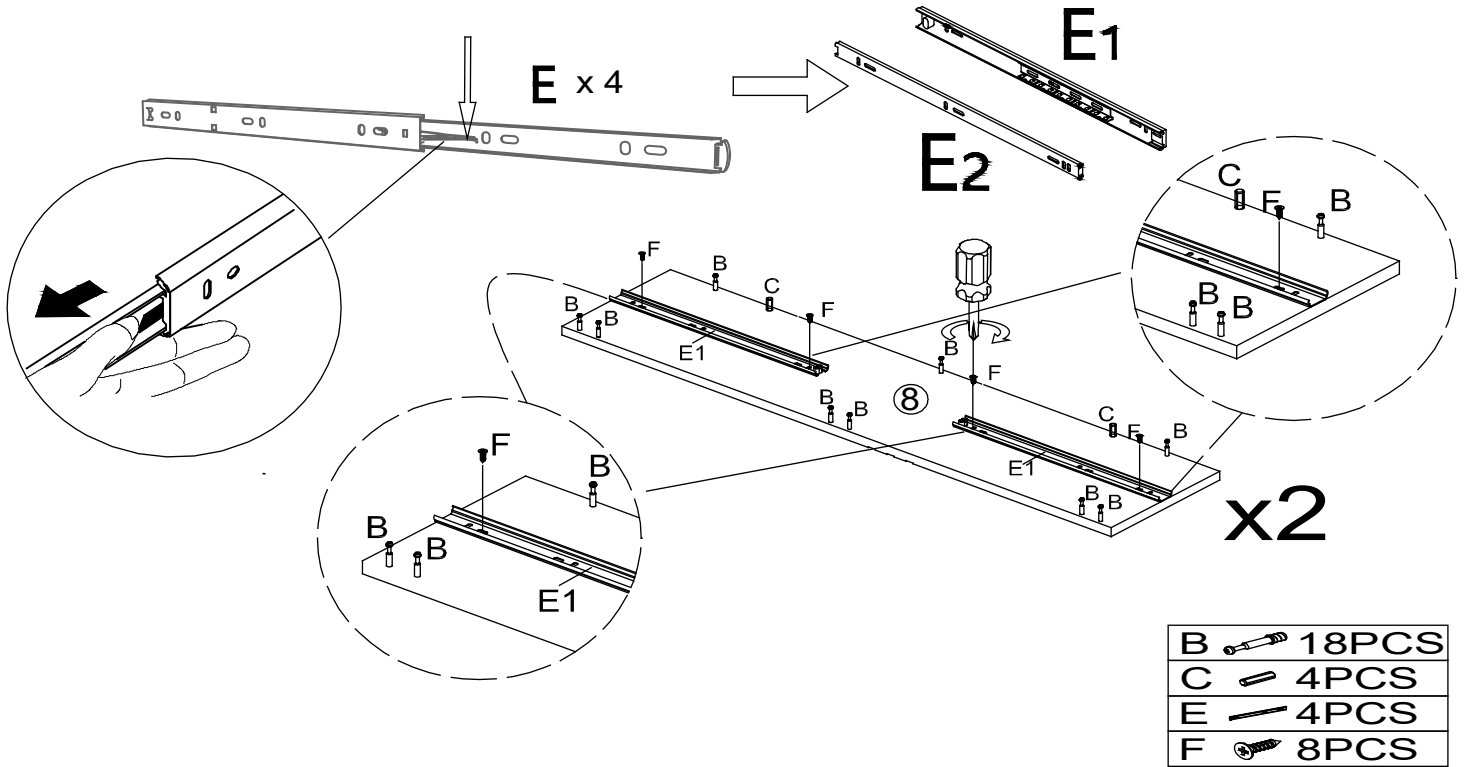


D		8PCS
J		1PCS

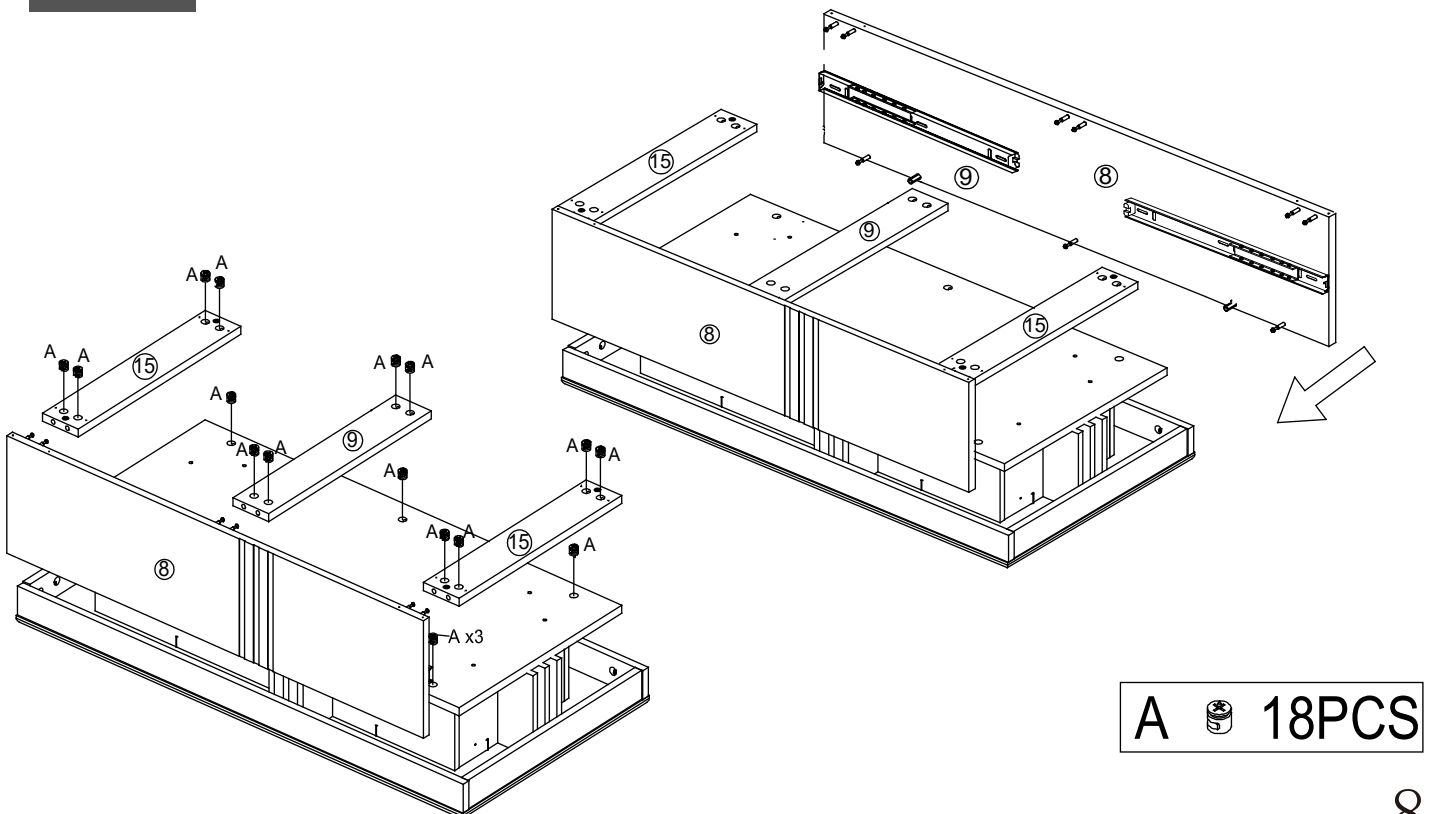


# Assembly Instructions

## Step 7

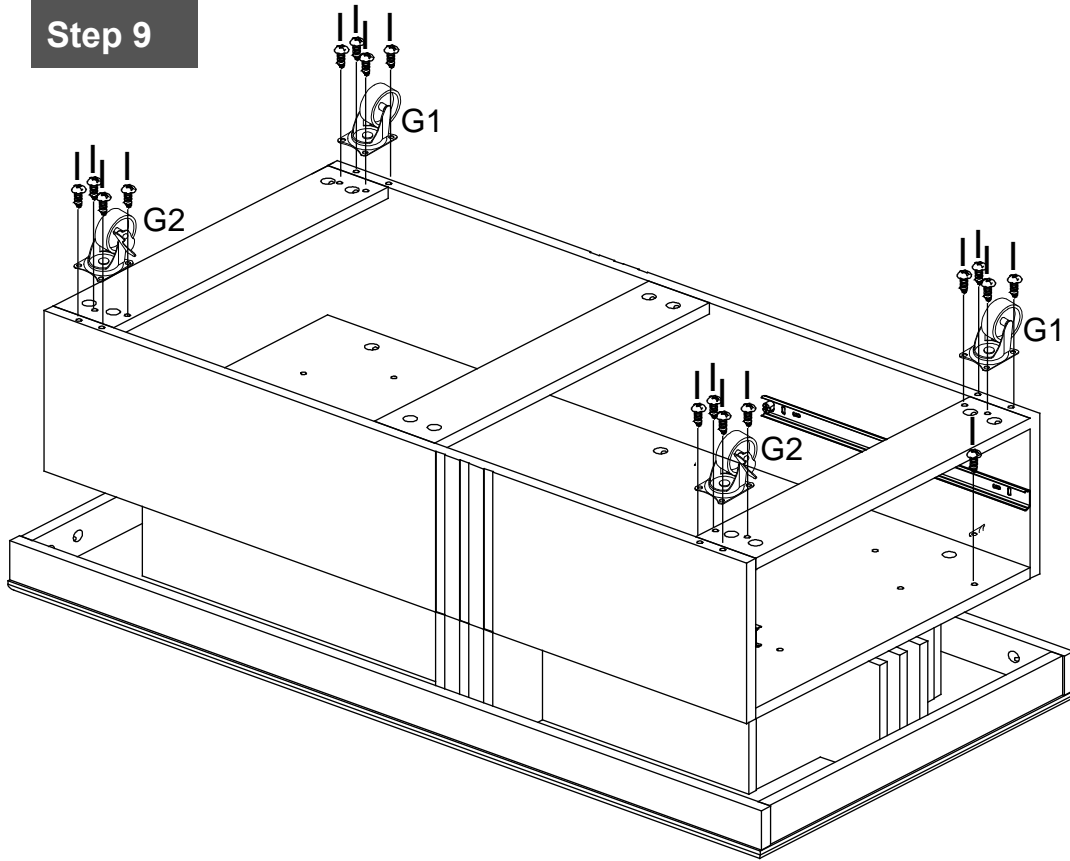


## Step 8



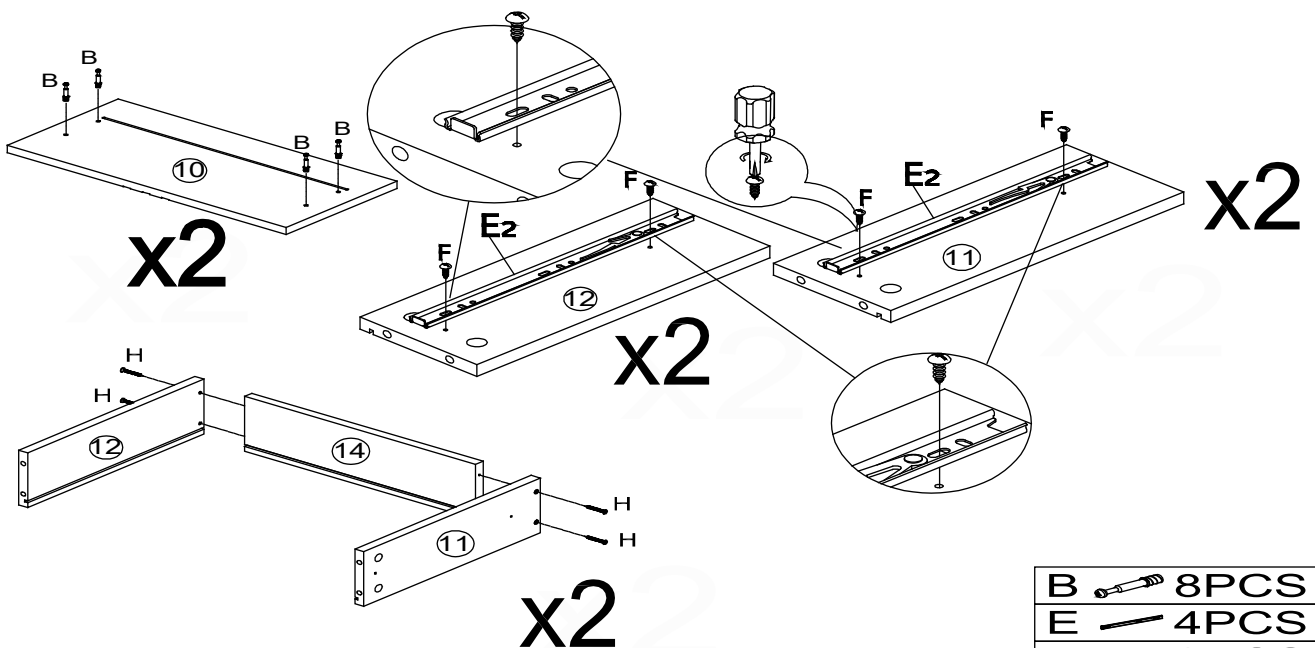
# Assembly Instructions

## Step 9



G			2PCS
I			Ø4X14mm 16PCS

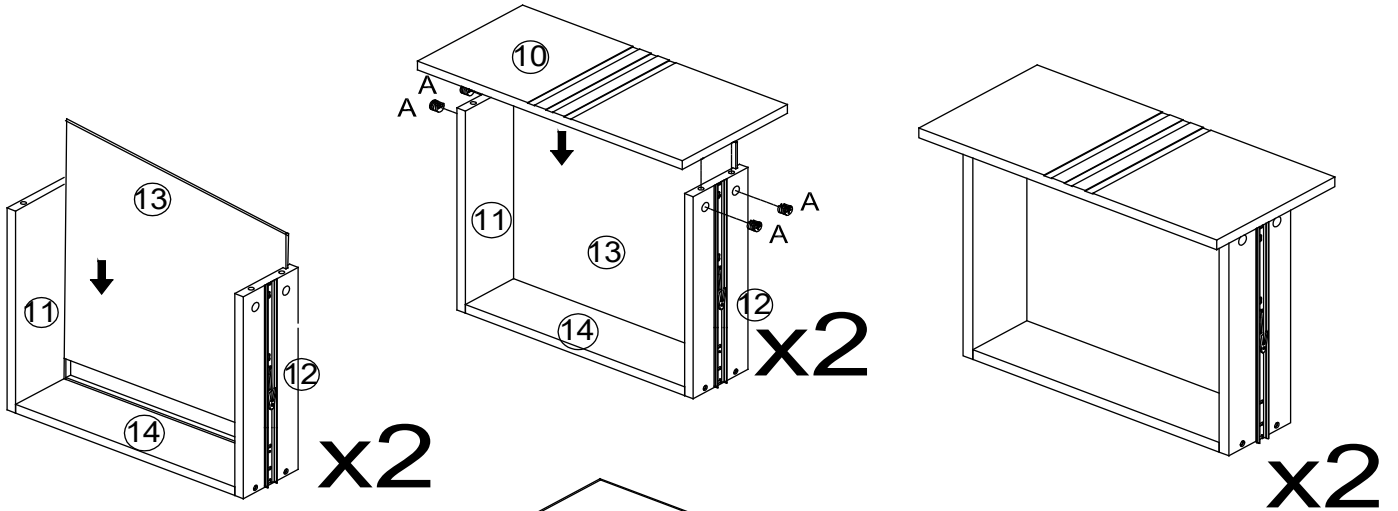
## Step 10



B		8PCS
E		4PCS
F		8PCS
H		8PCS

# Assembly Instructions

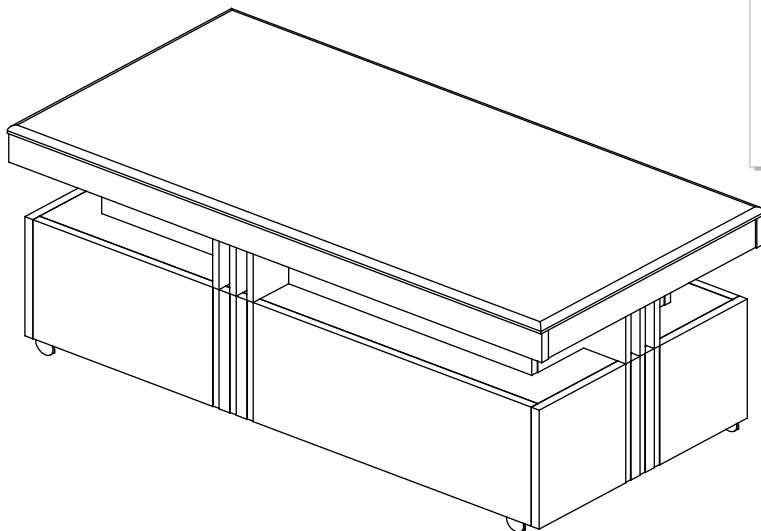
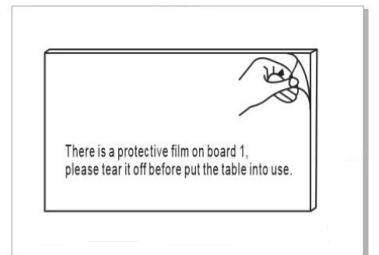
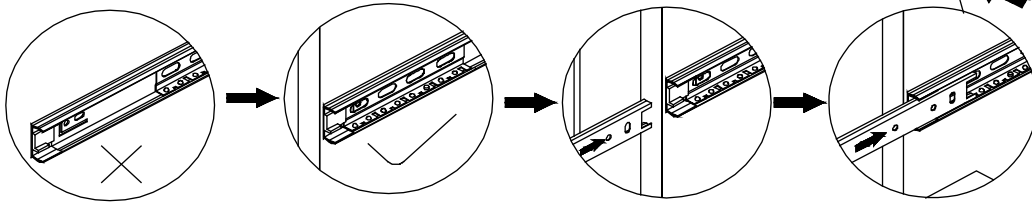
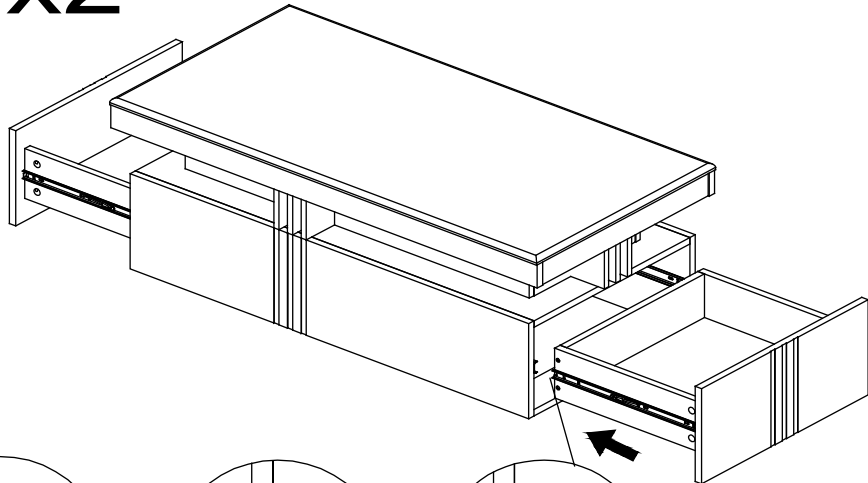
## Step 11




x2

x2

x2



A  8PCS