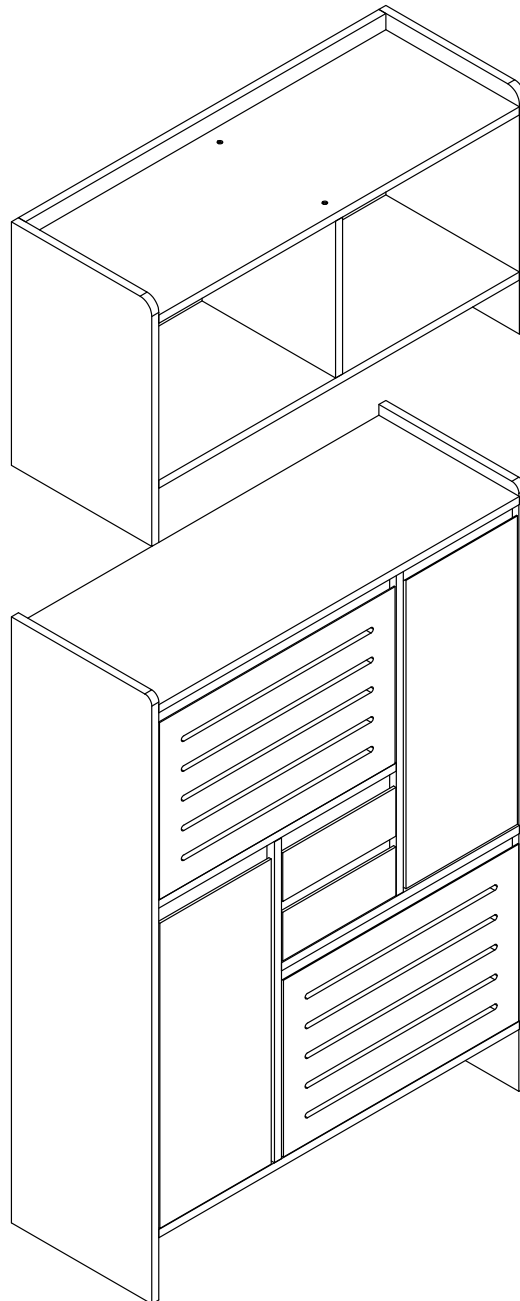


Shoe Cabinet

Assembly Instructions - Please keep for future reference



Dimensions

Width- 48.8 inch

Depth-17.71 inch

Height-70.86 inch

Important – Please read these instructions fully before starting assembly



Safety and Care Advice

Important – Please read these instructions fully before starting assembly

- Check you have all the components and tools listed on the following pages.
- Remove all fittings from the plastic bags and separate them into their groups.
- Keep children and animals away from the work area, small parts could choke if swallowed.
- Make sure you have enough space to layout the parts before starting.

- During assembly do not stand or put weight on the product, this could cause damage.
- Assemble the item as close to its final position (in the same room) as possible.
- Assemble on a soft level surface to avoid damaging the unit or your floor.
- Parts of the assembly will be easier with 2 people.



power drill is set on a low torque setting.

- To reduce the likelihood of damaging your product please ensure that your

Care and maintenance

• Only clean using a damp cloth and mild detergent, do not use bleach or abrasive cleaners.

• From time to time check that there are no loose screws on this unit.

• This product should not be discarded with household waste. Take to your local authority waste disposal centre.

Handy Hints

• Assemble all parts and bolts loosely during assembly, only once the product is complete should you fully tighten the bolts

• Regularly check and ensure That all bolts and fittings are tightend properly.

WARNING
In order to help prevent overturning – please follow these instructions

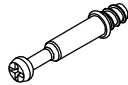

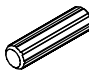




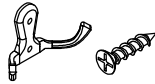


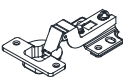
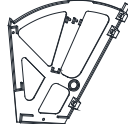

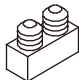



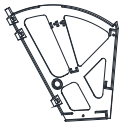
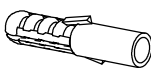



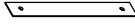

To help prevent product toppling over please follow the below steps:-

- Use the anti tip stap or wall fixing method provided (if applicable)
- Do not allow children to climb or hang on the furniture
- Do not open more than one drawer at a time
- Do not place heavy items in the top drawers
- Do not place heavy items on top of the furniture, unless the furniture has been designed for this purpose

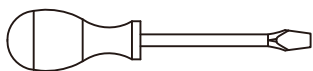
Components - Fittings

Please check you have all the panels listed below

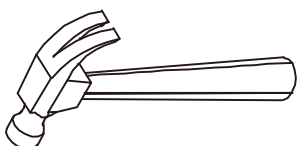
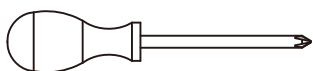
Note: The quantities below are the correct amount to complete the assembly. In some cases more fittings may be supplied than are required

<p>(A)  Cam Bolt x 40</p>	<p>(B)  Cam lock x 40</p>	<p>(C)  Dowel x 62</p>	<p>(D)  4*35mm Screw x 16</p>
<p>(E)  x 4</p>	<p>(F)  6*60mm Dowel x 4</p>	<p>(G)  4*30mm Screw x 8</p>	<p>(H)  Clothes Hook x 3 3*16mm Screw x 6</p>
<p>(I)  Clothes Hook x 3 3*16mm Screw x 6</p>	<p>(J)  4*12mm Screw x 44</p>	<p>(K)  Hinge x 4</p>	<p>(L)  Supporti Lateral Anta X 2</p>
<p>(M)  x 4 4*12mm Screw x 4</p>	<p>(N)  x 4</p>	<p>(O)  3*16mm Screw x 14</p>	<p>(P)  Back Panel Buckle x 14</p>
<p>(Q)  4*12mm Screw x 2</p>	<p>(R)  Supporti Lateral Anta X 2</p>	<p>(S)  Plastic expansion x 4</p>	<p>(T)  Pin x 8</p>
<p>(U)  3*12mm Screw x 2</p>	<p>(V)  x 2</p>	<p>(W)  Anti-Fall Strip x 2</p>	<p>(X)  Shim x 4</p>

Tools required Not Included



Phillips screwdriver
(medium & large)



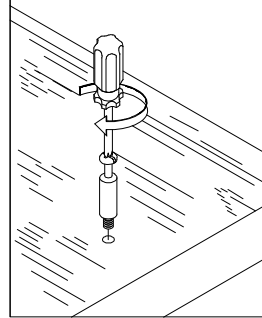
Using Camlocks

Step 1

Connect the male camlock as directed in the assembly instructions using a screwdriver.

1

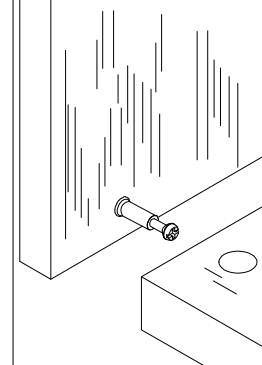
DO NOT OVER TIGHTEN.
NE PAS SERRER EXCESSIVEMENT.



Step 2

Push the male camlock into the entry hole.

2

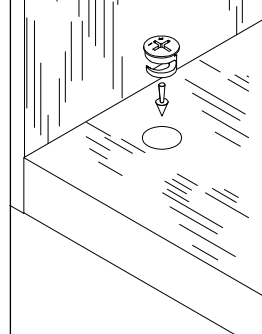


Step 3

Insert the female camlock as shown in the instruction.

Note: ensure that the arrow on the top of the camlock points towards the entry hole for the male camlock.

3



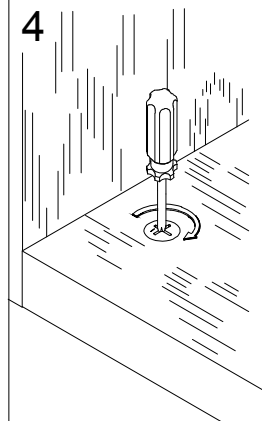
Step 4

Turn the female camlock clockwise with a screwdriver.

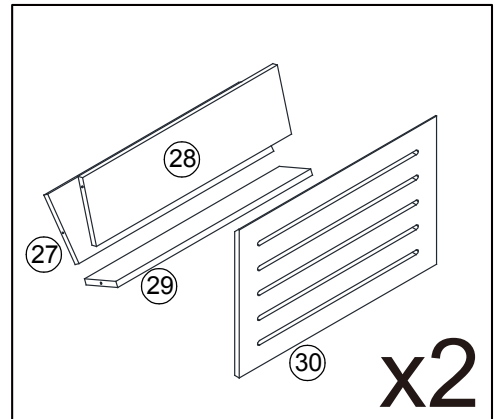
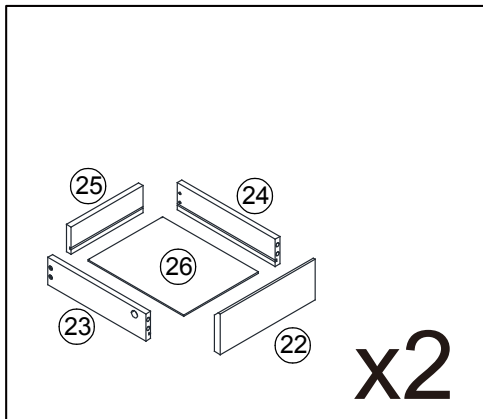
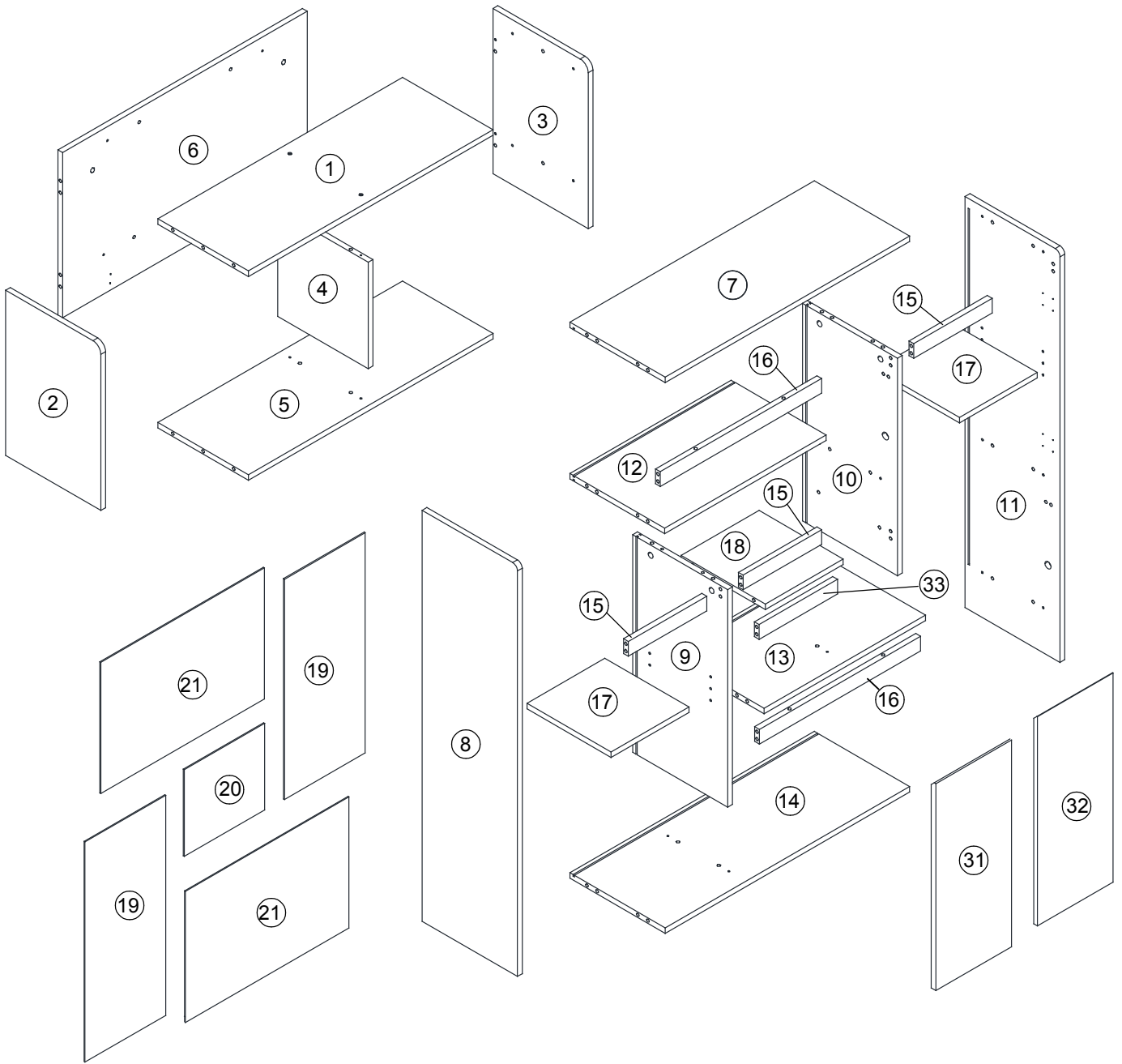
You should feel a click when the camlock is locked in place.

The joint is now secure.

4

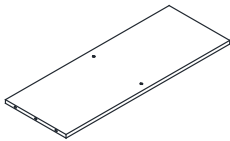


Assembly Instructions



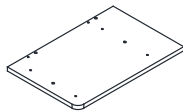
Assembly Instructions

① X1



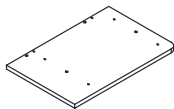
555*125*15?

② X1



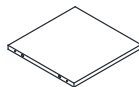
555*125*15?

③ X1



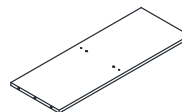
555*125*15?

④ X1



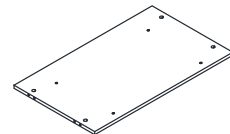
555*125*15?

⑤ X1



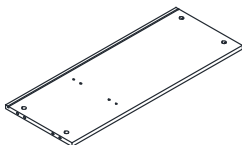
555*125*15?

⑥ X1



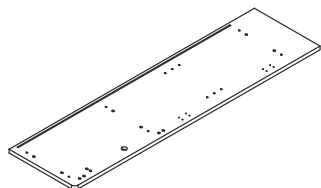
555*125*15?

⑦ X1



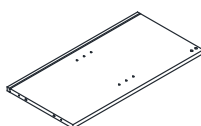
771*297*15

⑧ X1



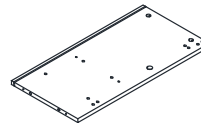
1120*298*15

⑨ X1



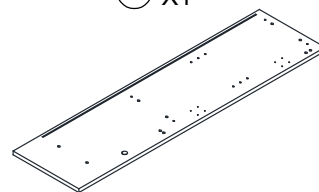
593*297*15

⑩ X1



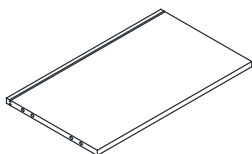
593*297*15

⑪ X1



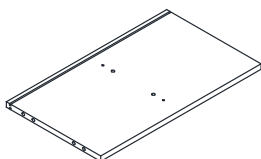
1120*298*15

⑫ X1



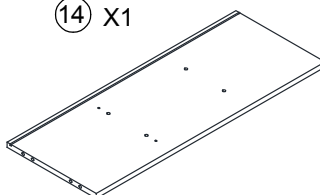
509*297*15

⑬ X1



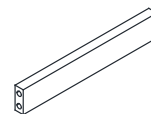
509*297*15

⑭ X1



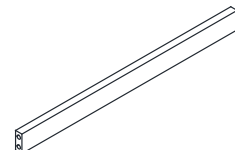
771*297*15

⑮ X3



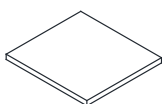
247*40*15

⑯ X2



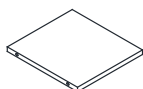
509*40*15

⑰ X2



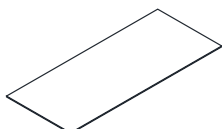
245*265*12

⑱ X1



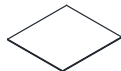
247*253*12

⑲ X2



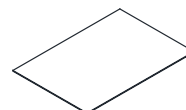
600*252*3

⑳ X1



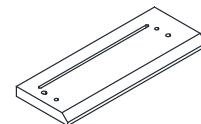
253*222*3

㉑ X2



515*369*3

㉒ X2



242*80*12

㉓ X2



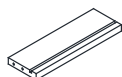
250*60*12

㉔ X2



250*60*12

㉕ X2



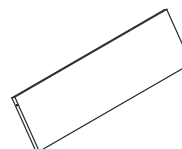
215*60*12

㉖ X2



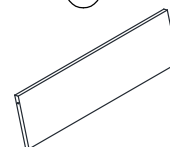
243*221*3

㉗ X2



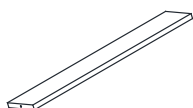
497*137*12

㉘ X2



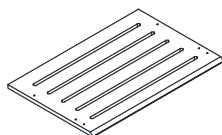
497*137*12

㉙ X2



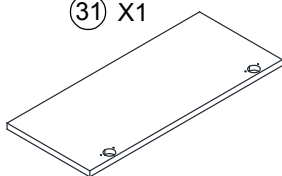
497*80*12

㉚ X2



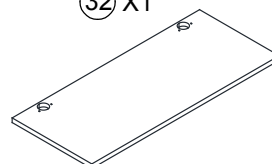
503*327*12

㉛ X1



564*238*12

㉜ X1



564*238*12

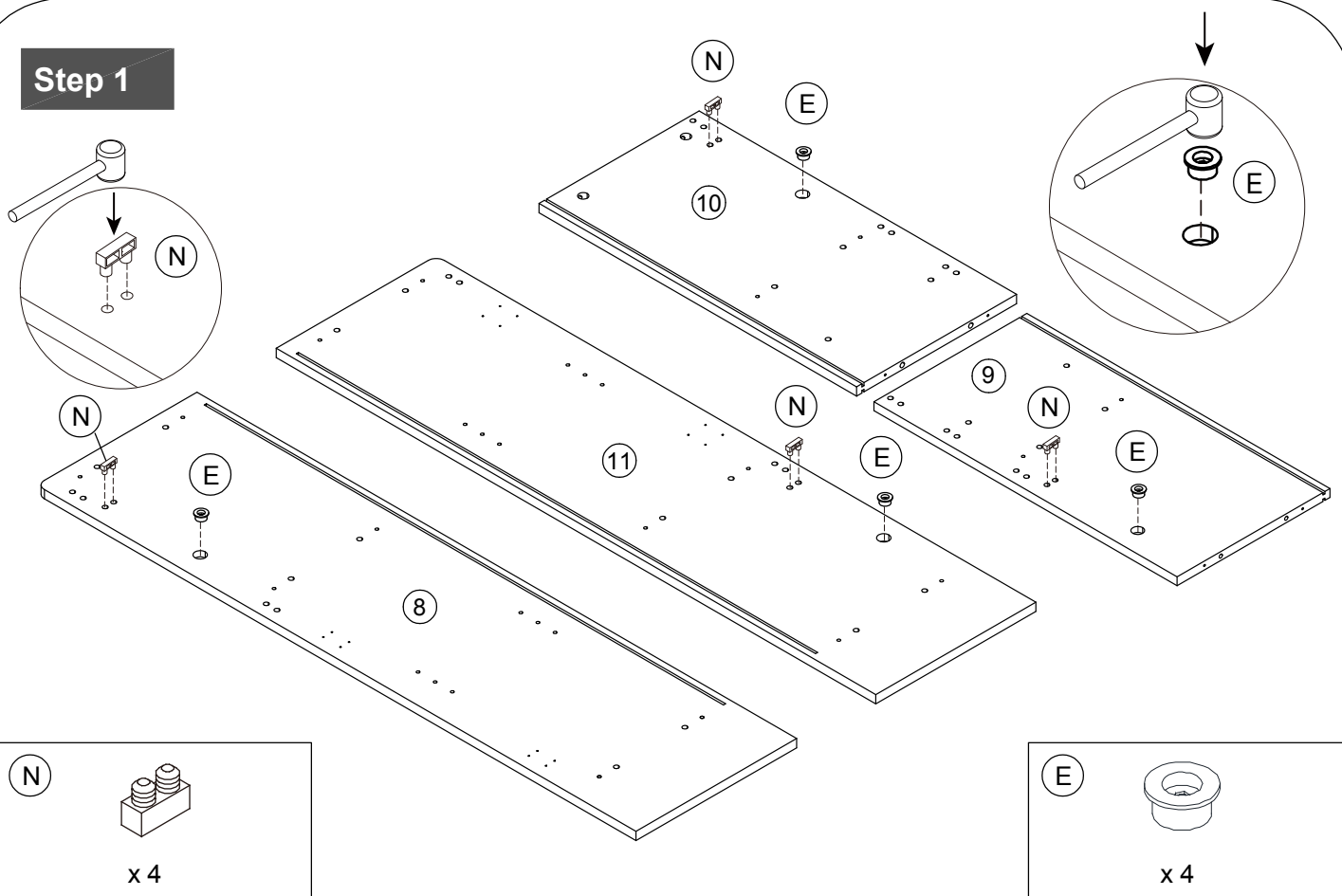
㉝ X1



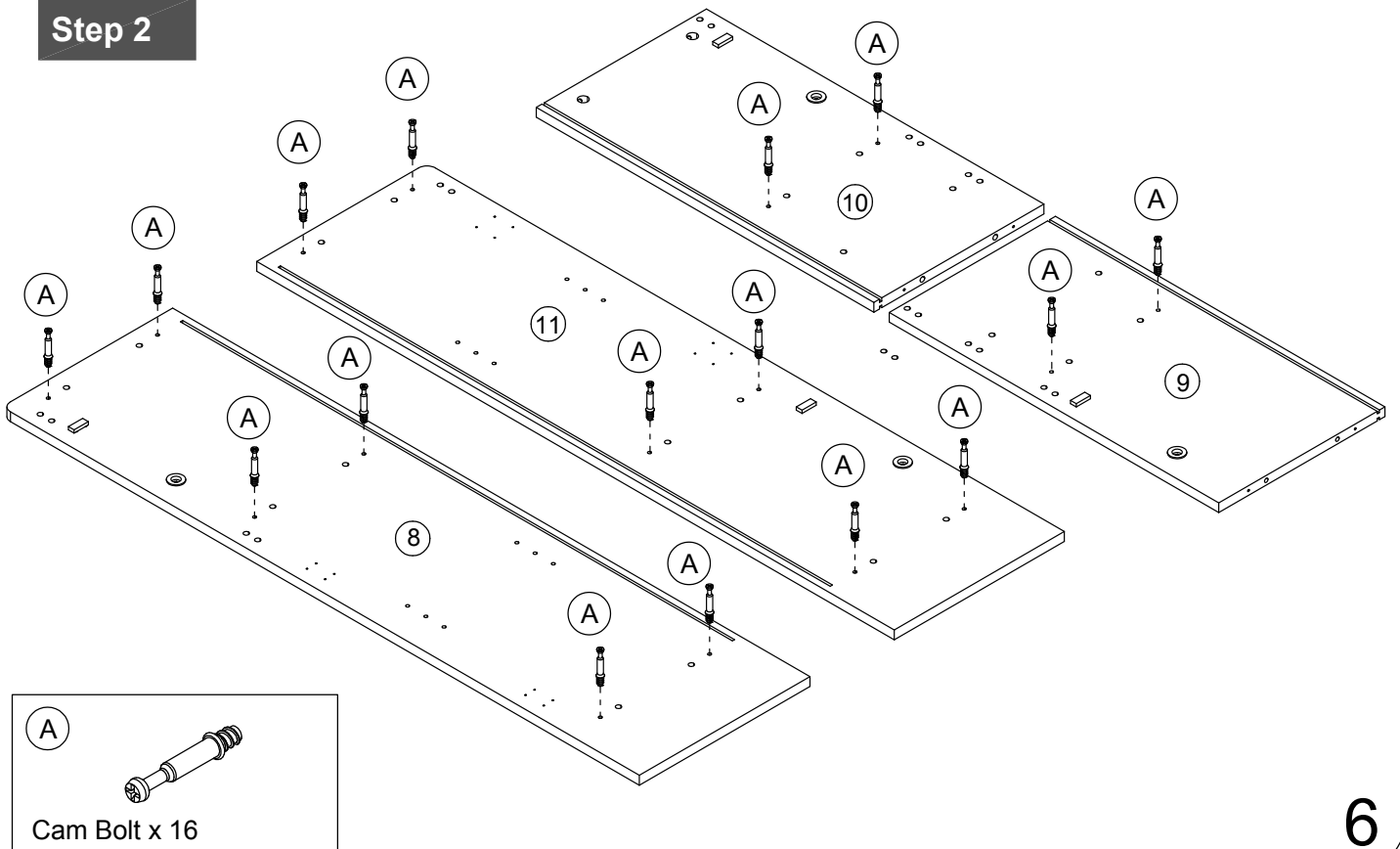
247*40*15

Assembly

Step 1

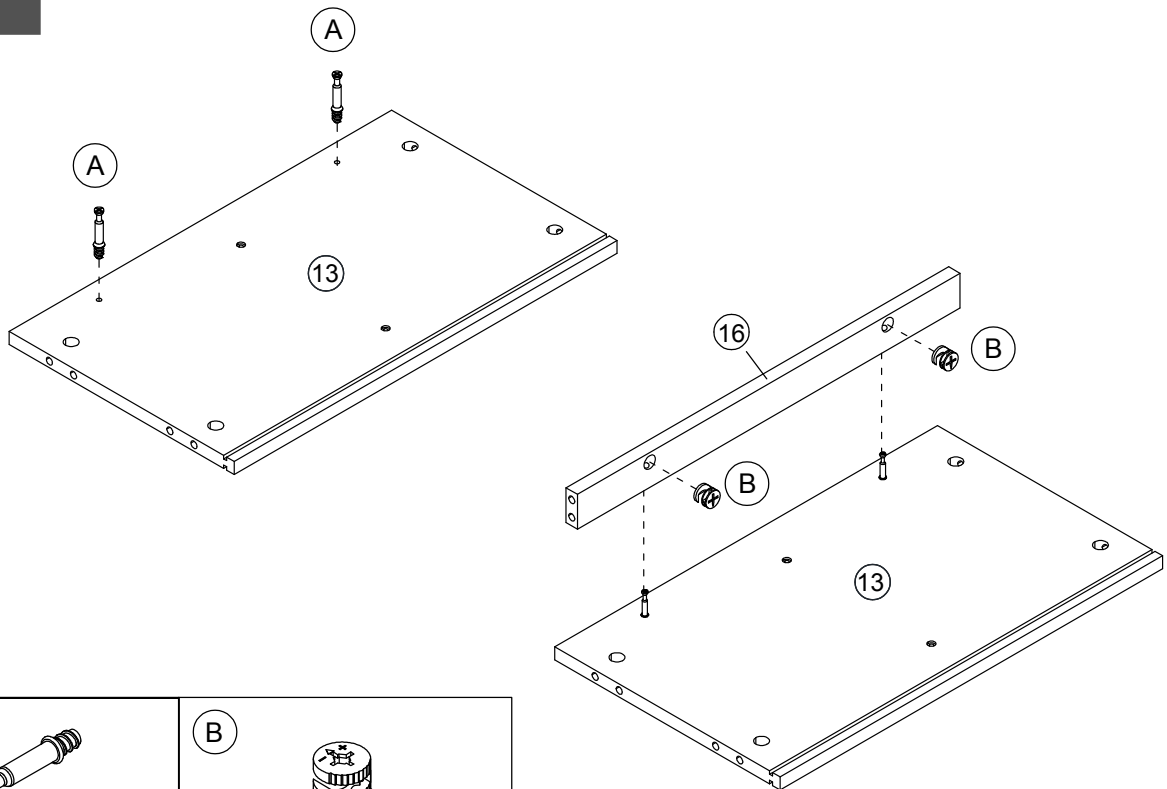


Step 2

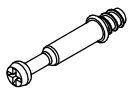


Assembly

Step 3



(A)



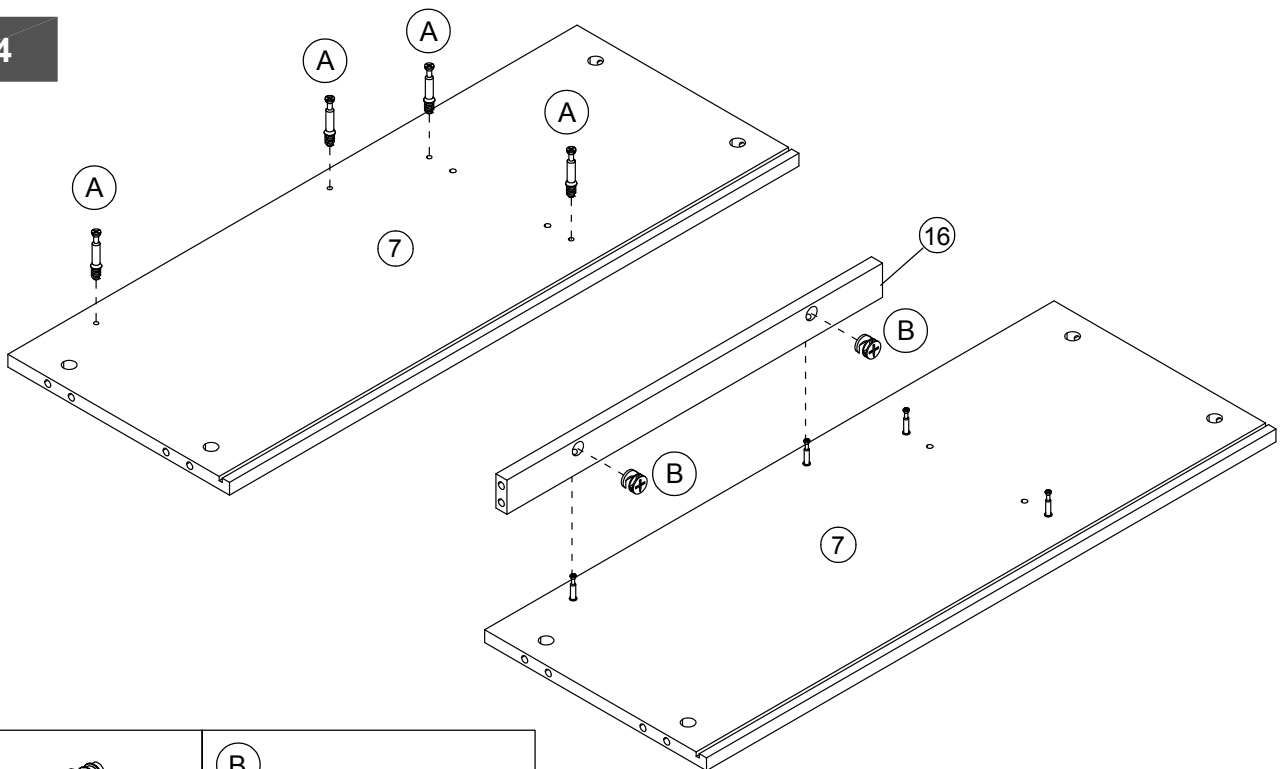
Cam Bolt x 2

(B)

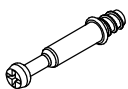


Cam lock x 2

Step 4



(A)



Cam Bolt x 4

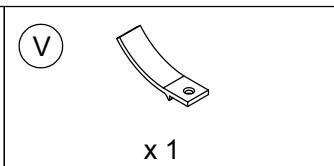
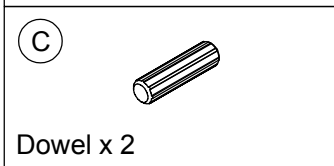
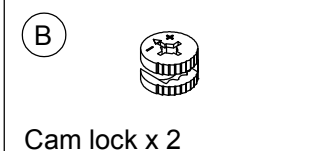
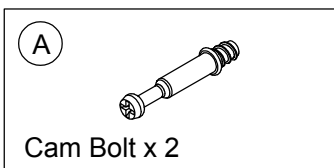
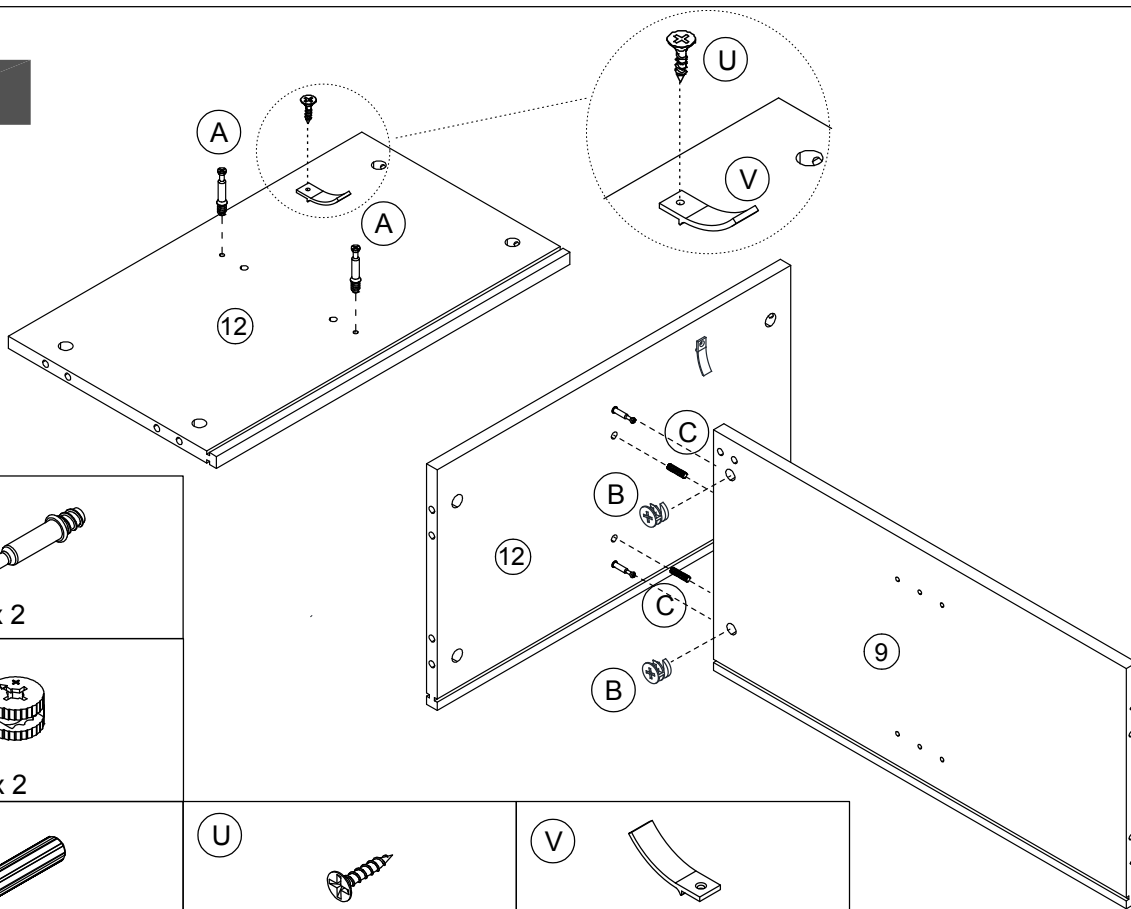
(B)



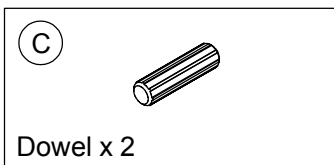
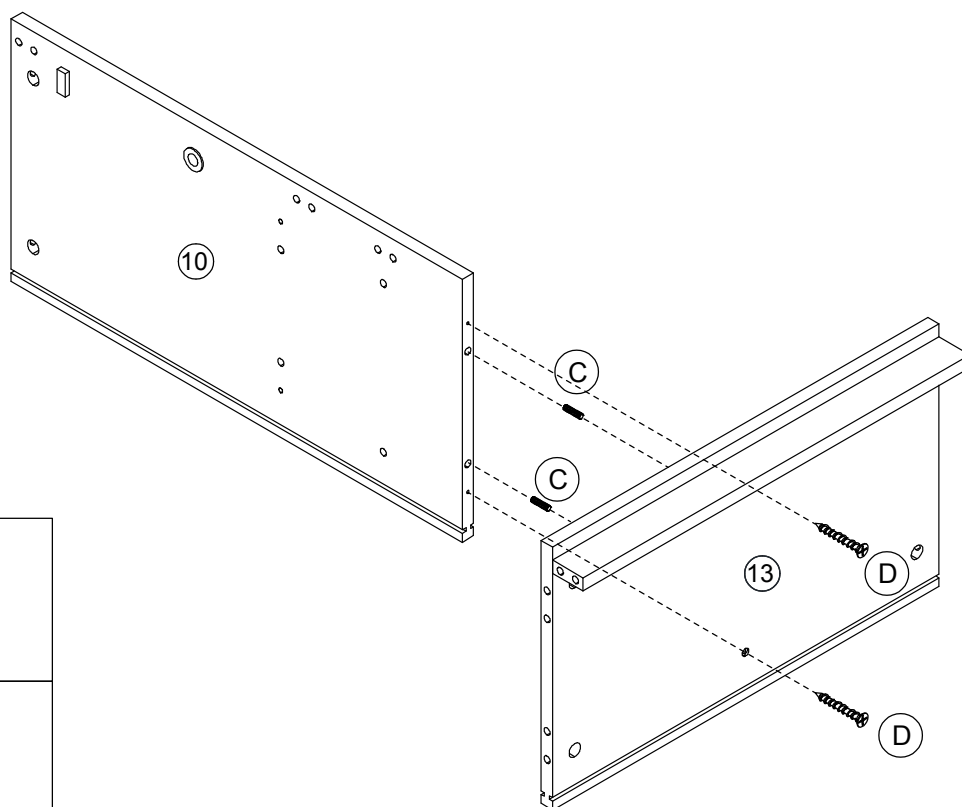
Cam lock x 2

Assembly

Step 5

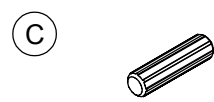
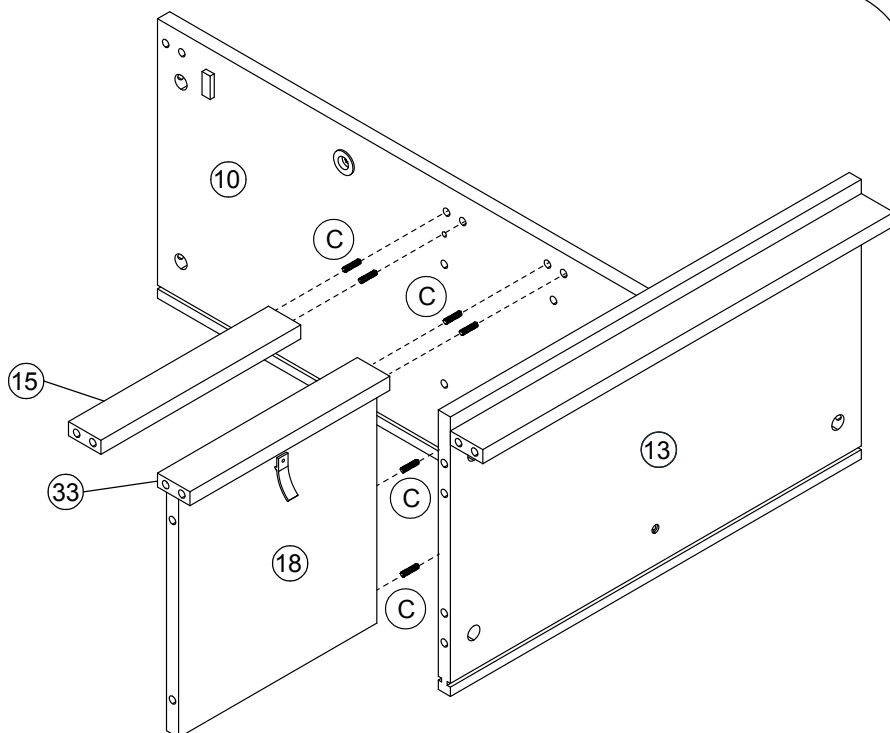
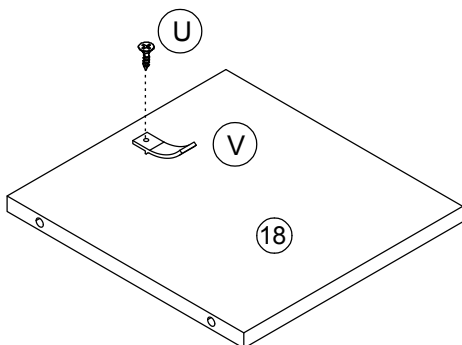


Step 6

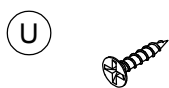


Assembly

Step 7



Dowel x 6

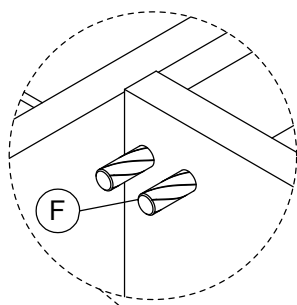


3*12mm Screw x 1



x 1

Step 8



F

F

F

F

F

F

F

F

F

F

F

F

F

F

F

F

F

F

F

F

F

F

F

F

F

F

F

F

F

F

F

F

F

F

F

F

F

F

F

F

F

F

F

F

F

F

F

F

F

F

F

F

F

F

F

F

F

F

F

F

F

F

F

F

F

F

F

F

F

F

F

F

F

F

F

F

F

F

F

F

F

F

F

F

F

F

F

F

F

F

F

F

F

F

F

F

F

F

F

F

F

F

F

F

F

F

F

F

F

F

F

F

F

F

F

F

F

F

F

F

F

F

F

F

F

F

F

F

F

F

F

F

F

F

F

F

F

F

F

F

F

F

F

F

F

F

F

F

F

F

F

F

F

F

F

F

F

F

F

F

F

F

F

F

F

F

F

F

F

F

F

F

F

F

F

F

F

F

F

F

F

F

F

F

F

F

F

F

F

F

F

F

F

F

F

F

F

F

F

F

F

F

F

F

F

F

F

F

F

F

F

F

F

F

F

F

F

F

F

F

F

F

F

F

F

F

F

F

F

F

F

F

F

F

F

F

F

F

F

F

F

F

F

F

F

F

F

F

F

F

F

F

F

F

F

F

F

F

F

F

F

F

F

F

F

F

F

F

F

F

F

F

F

F

F

F

F

F

F

F

F

F

F

F

F

F

F

F

F

F

F

F

F

F

F

F

F

F

F

F

F

F

F

F

F

F

F

F

F

F

F

F

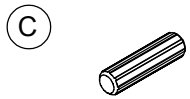
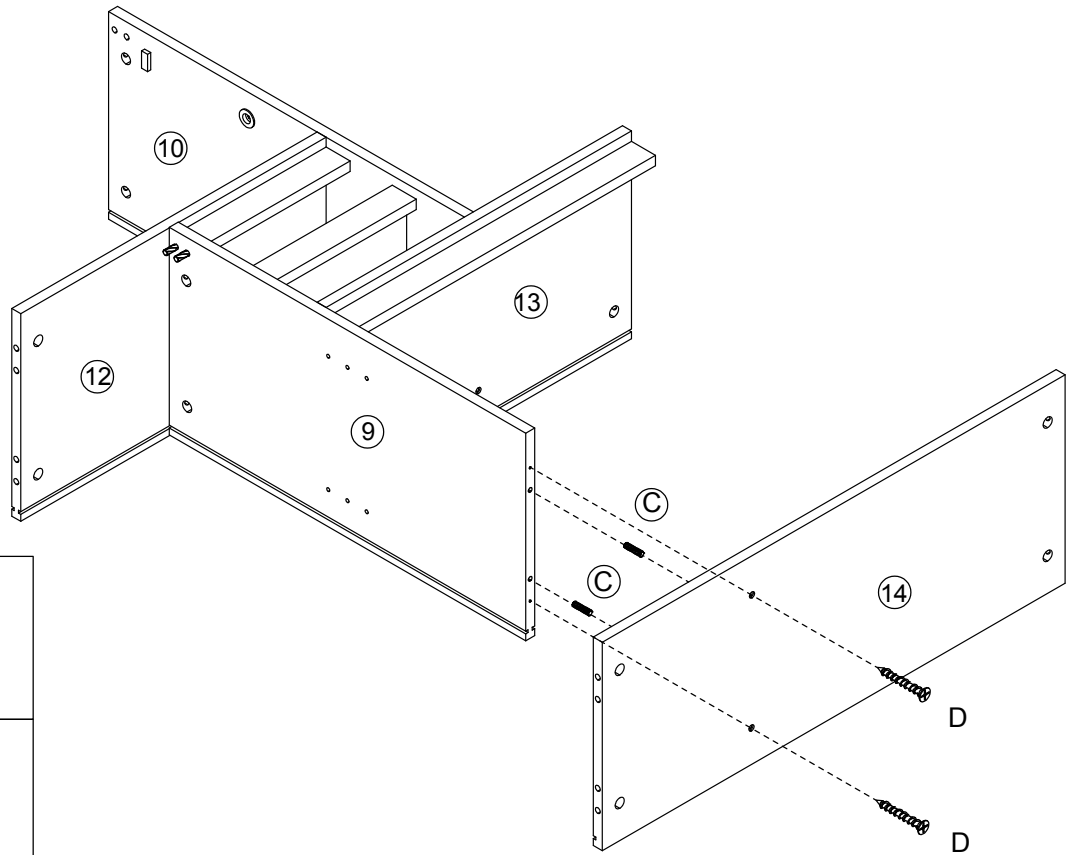
F

F

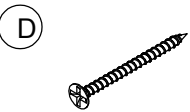
F

Assembly

Step 9

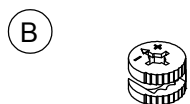
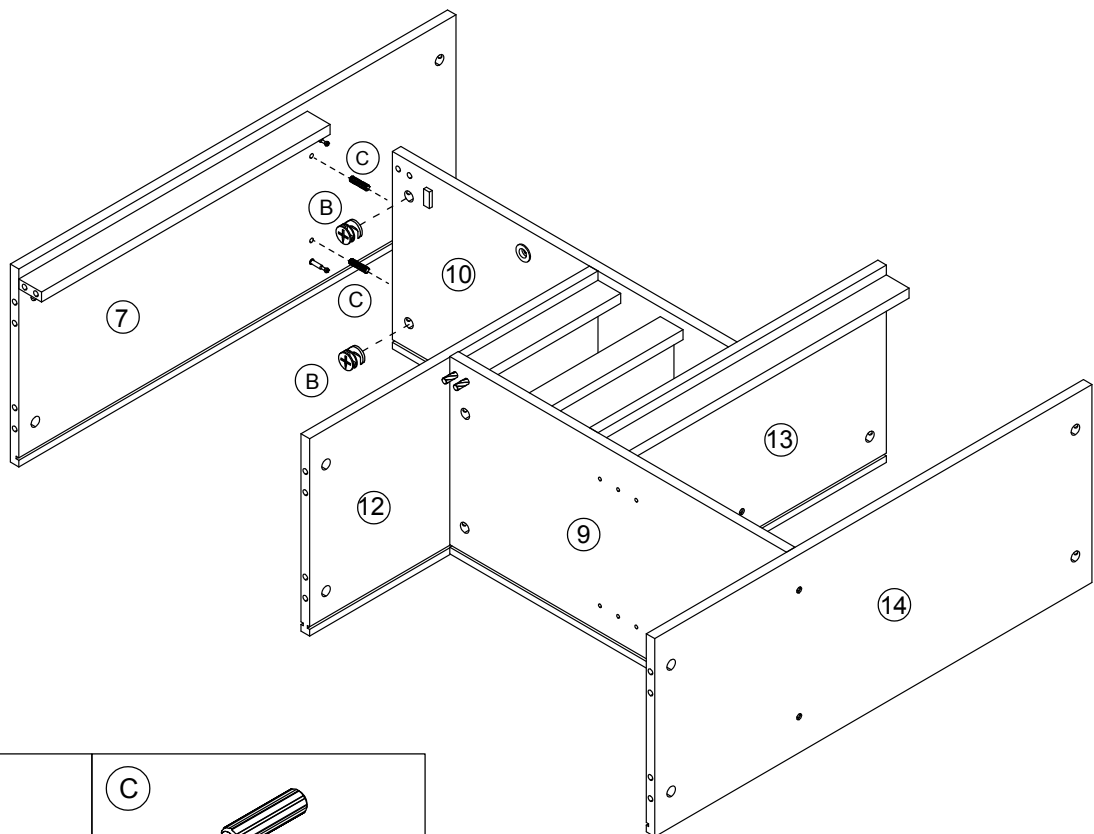


Dowel x 2

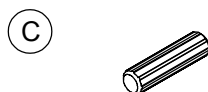


4*35mm Screw x 2

Step 10



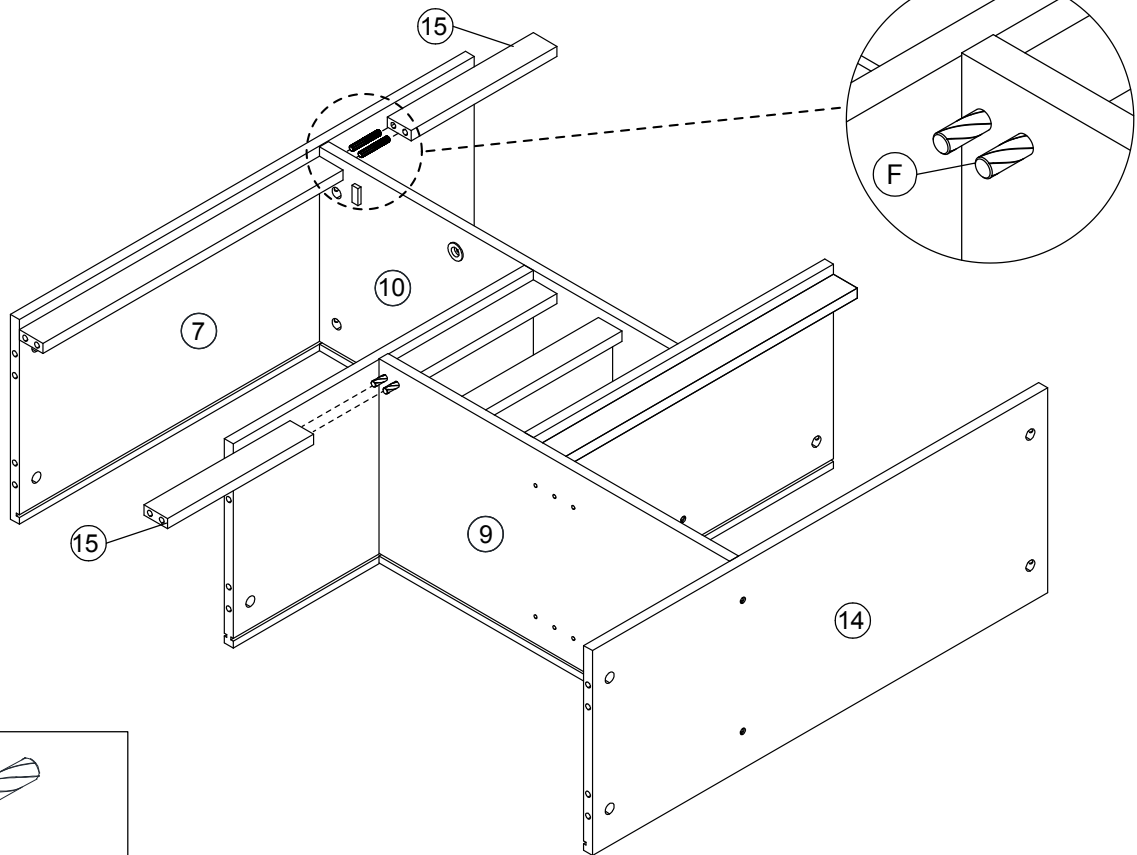
Cam lock x 2



Dowel x 2

Assembly

Step 11

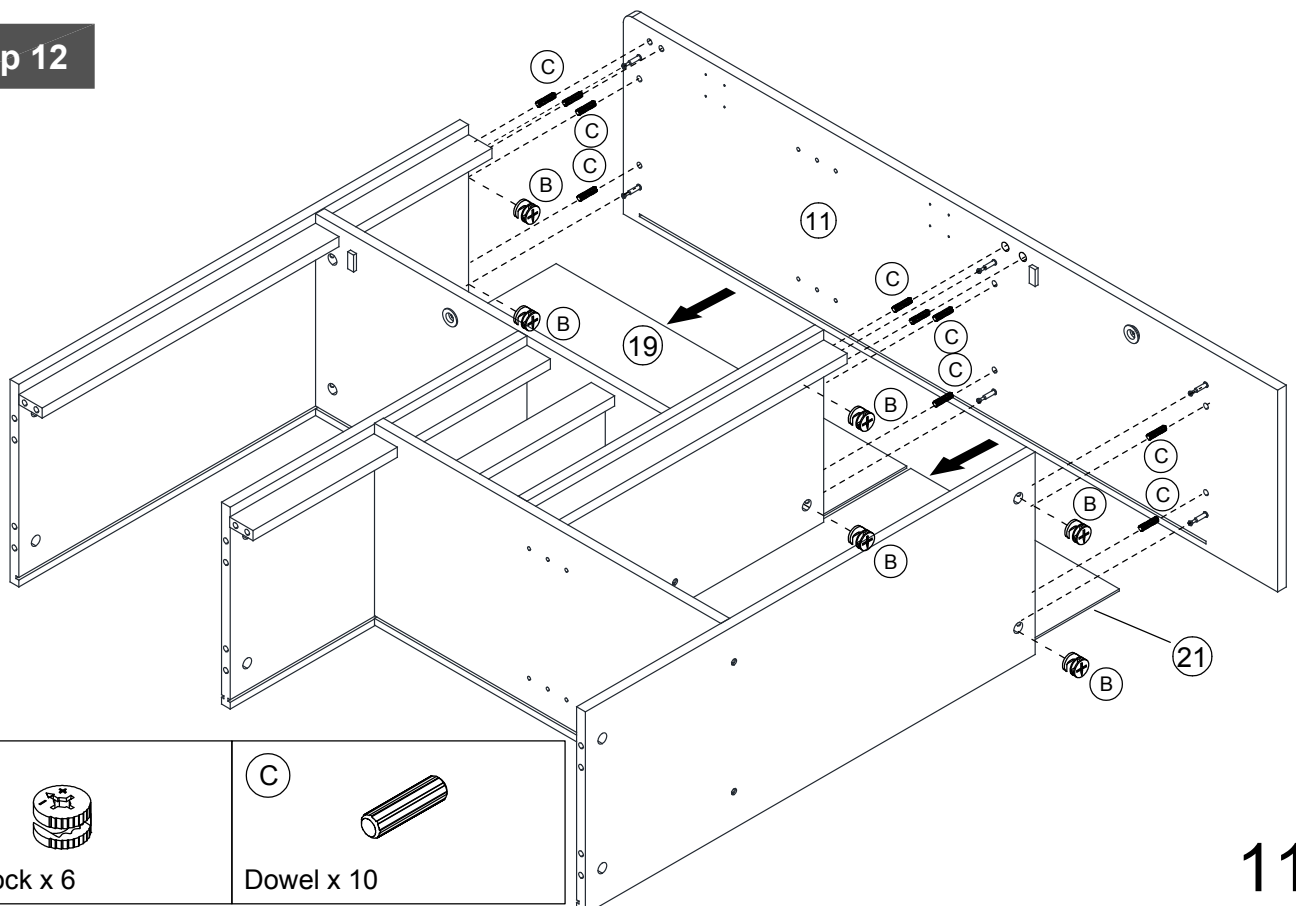


F



6*60mm Dowel x 2

Step 12



B



Cam lock x 6

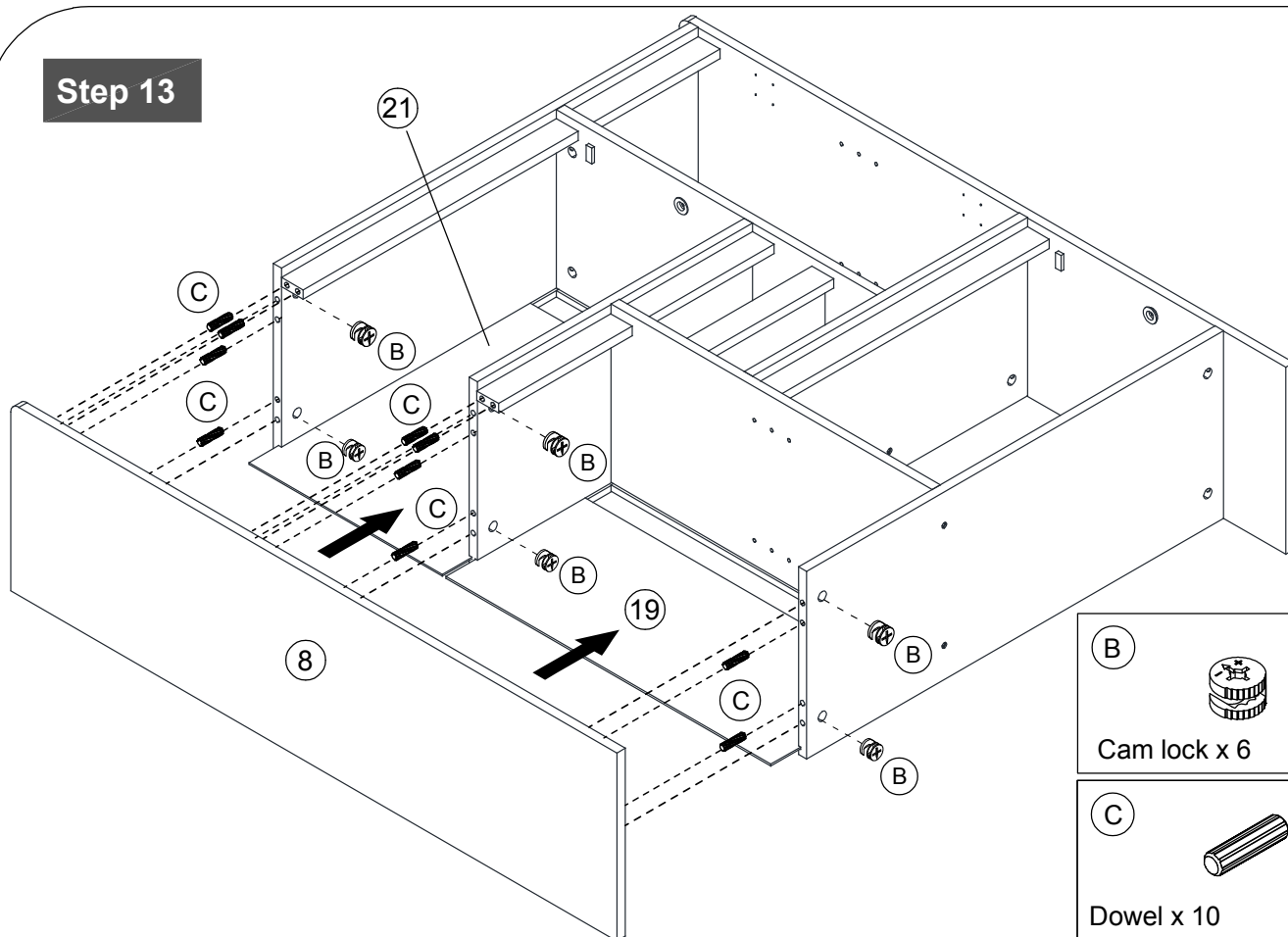
C



Dowel x 10

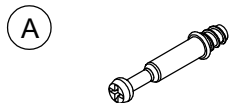
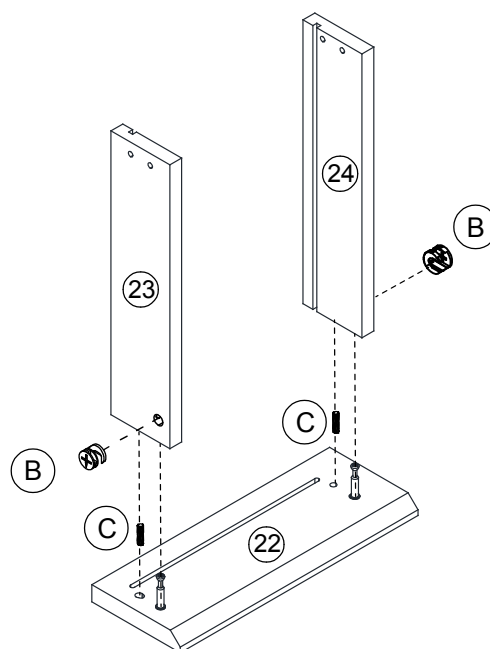
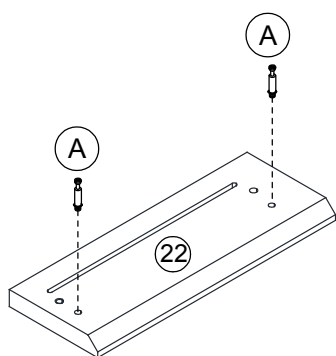
Assembly

Step 13

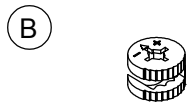


Step 14

x2



Cam Bolt x 4



Cam lock x 4

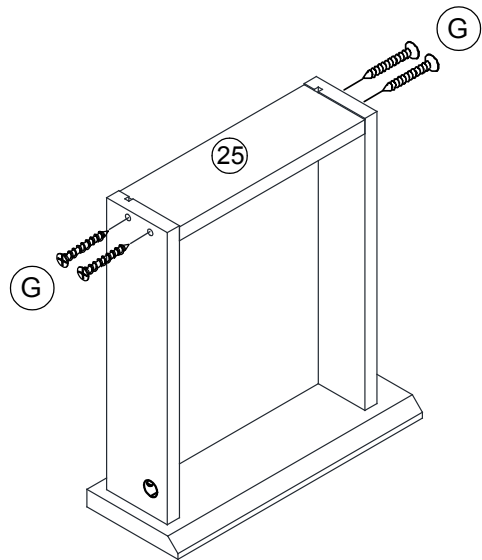
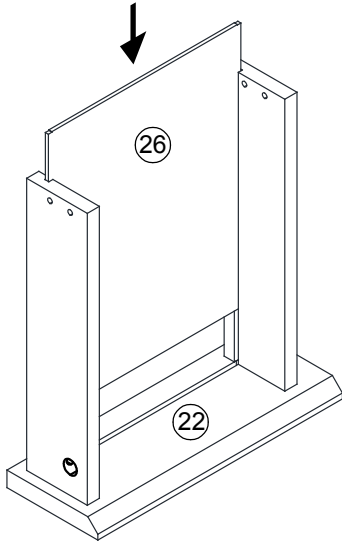


Dowel x 4

Assembly

Step 15

x2

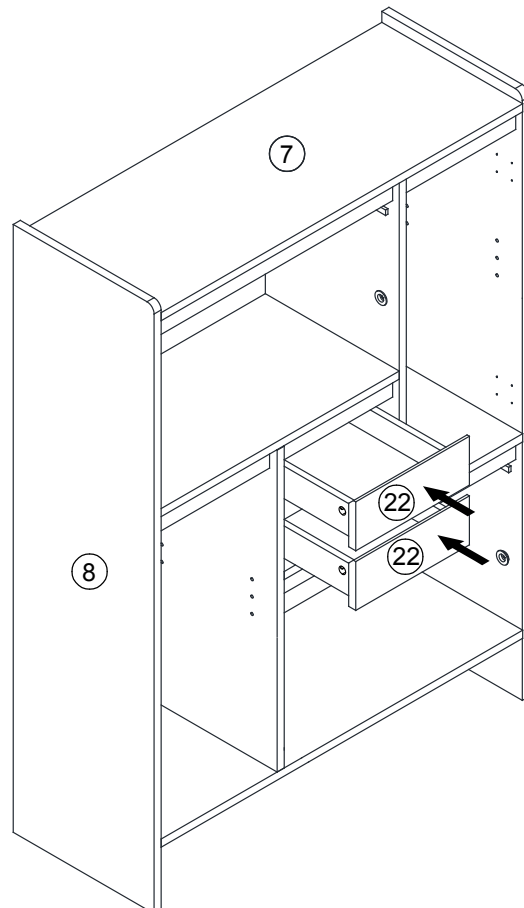


G



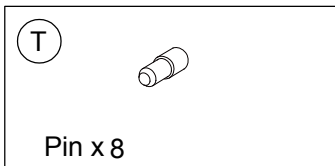
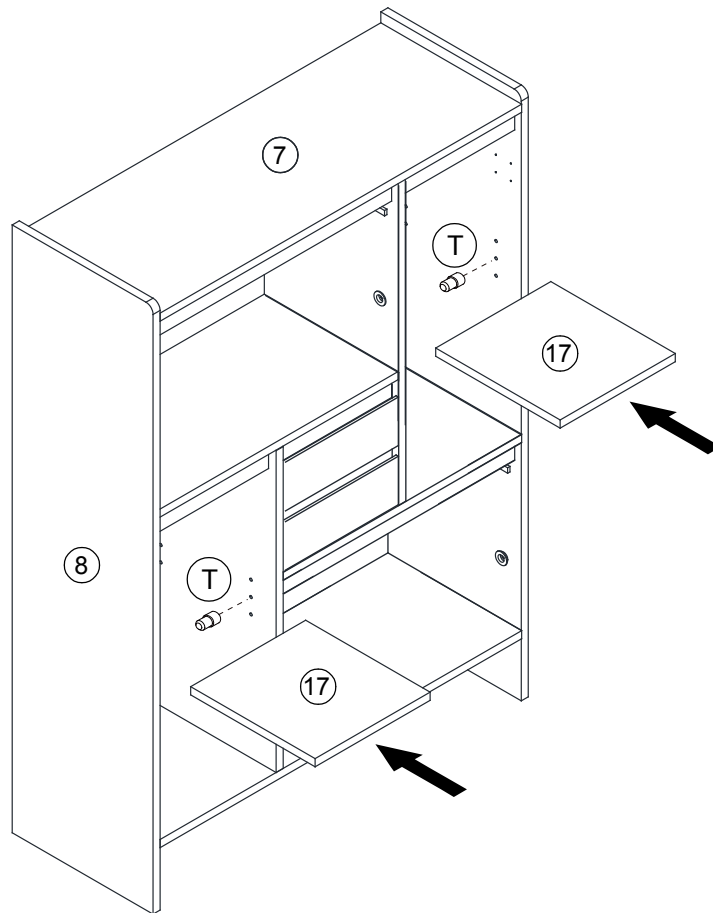
4*25mm Screw x 8

Step 16

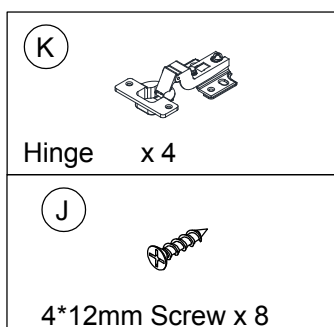
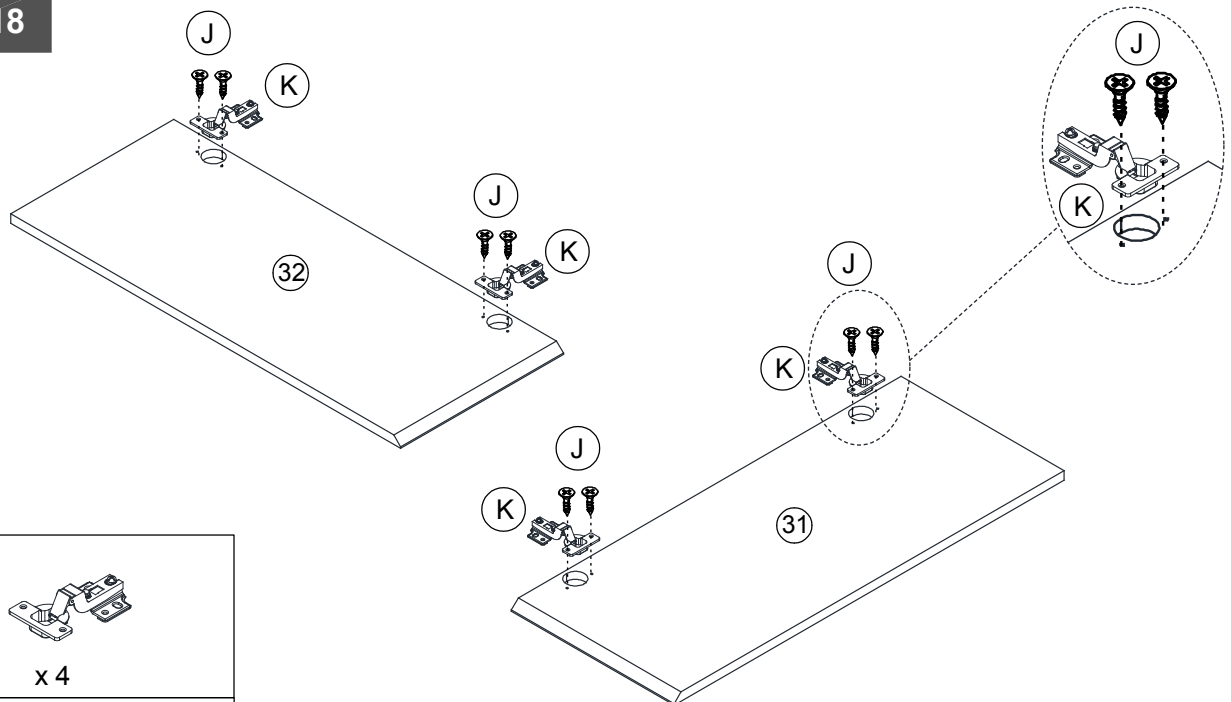


Assembly

Step 17

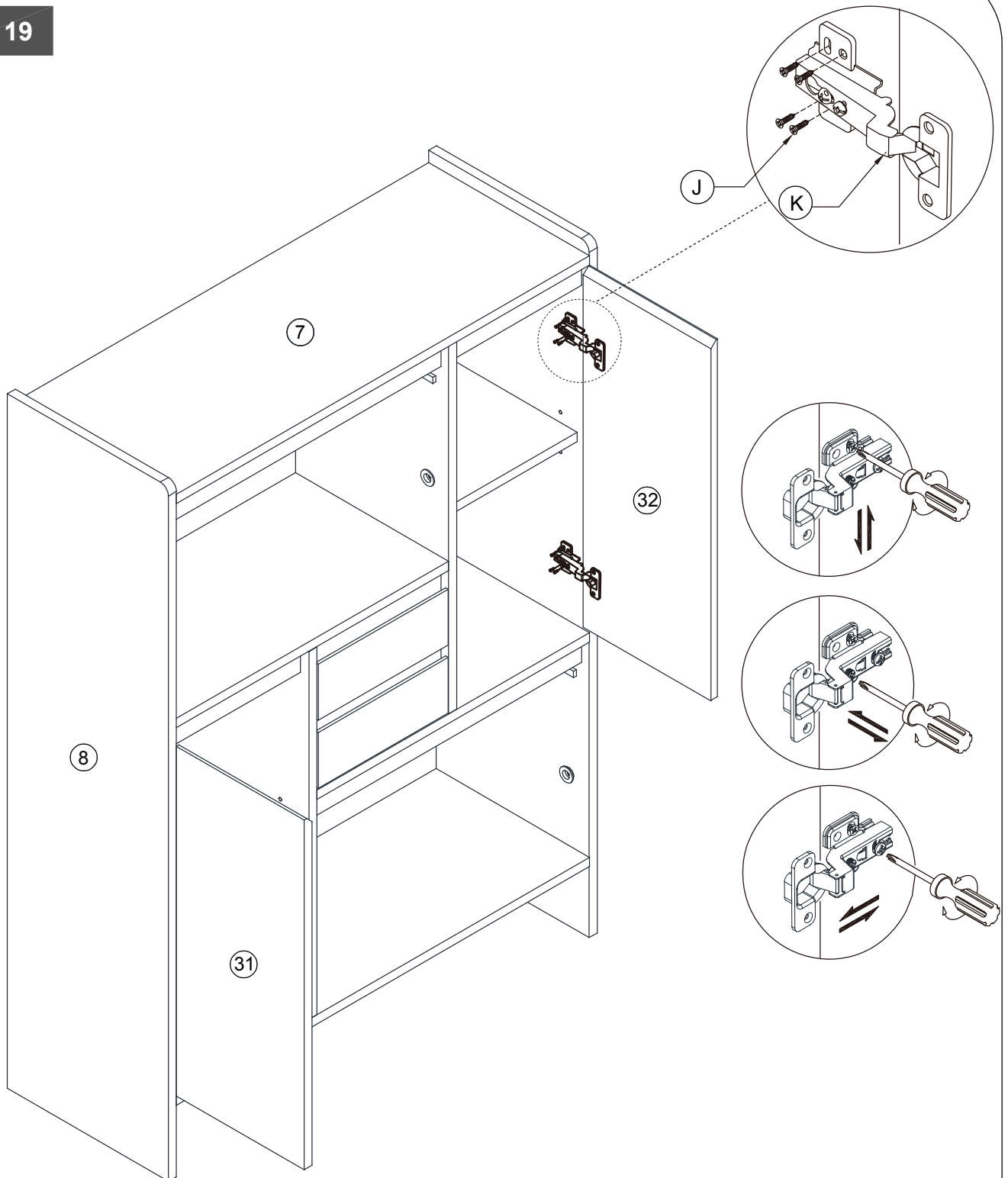


Step 18



Assembly

Step 19



J

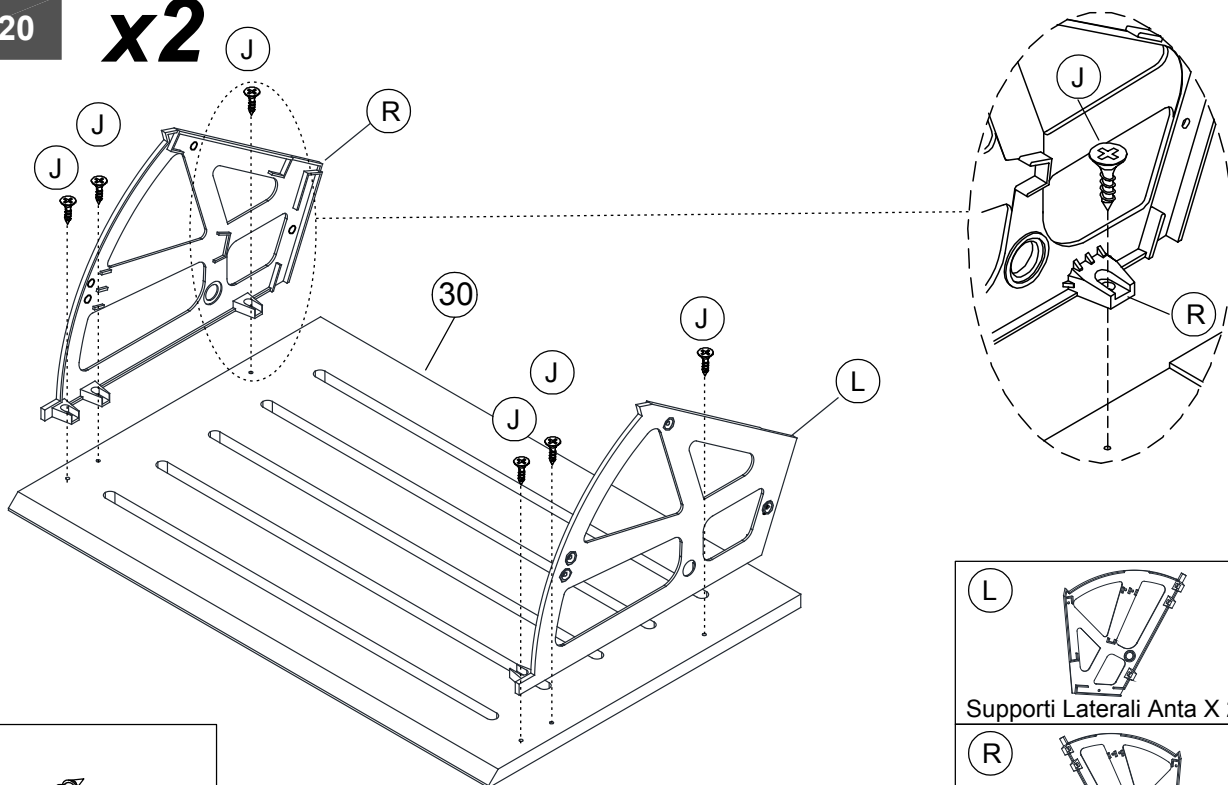


4*12mm Screw x 16

Assembly

Step 20

x2

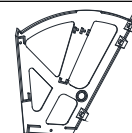


J



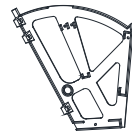
4*12mm Screw x 12

L



Supporti Lateralì Anta X 2

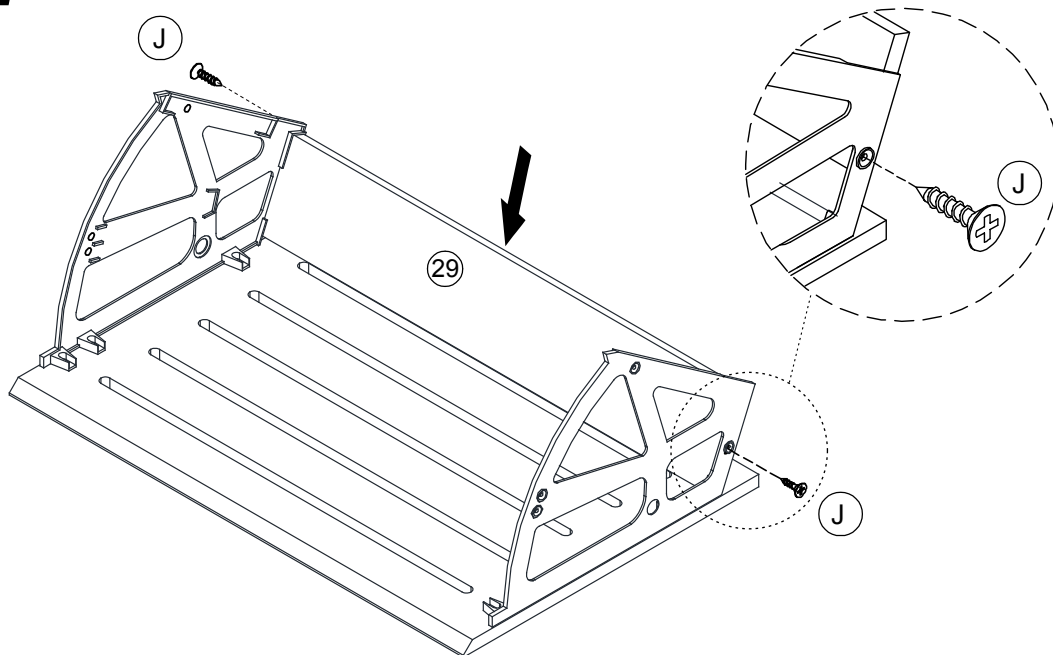
R



Supporti Lateralì Anta X 2

Step 21

x2



J

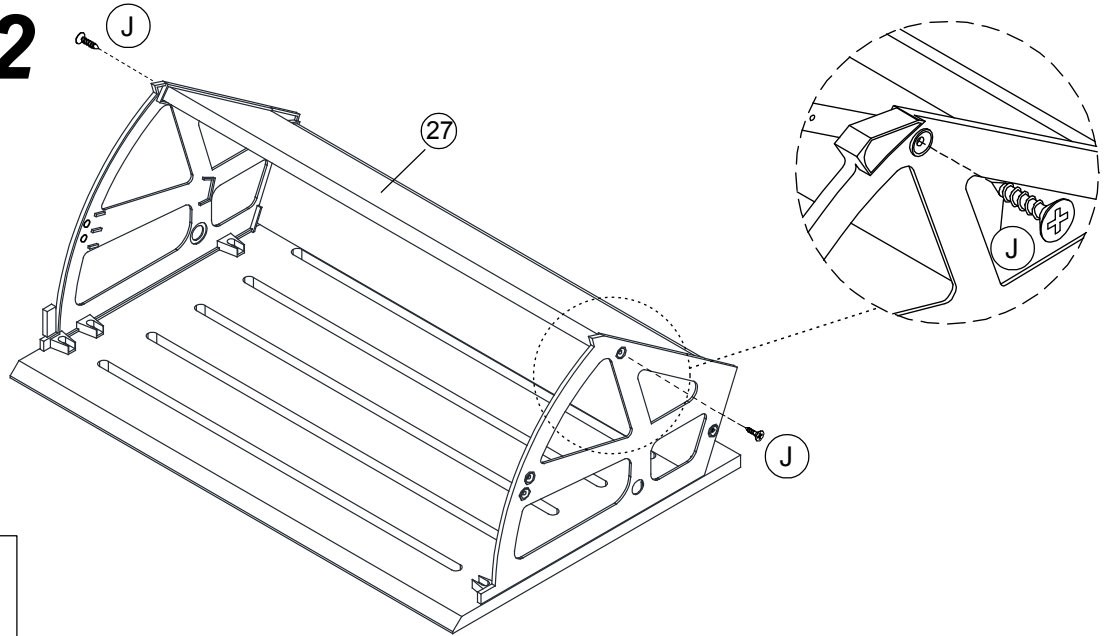


4*12mm Screw x 4

Assembly

Step 22

x2

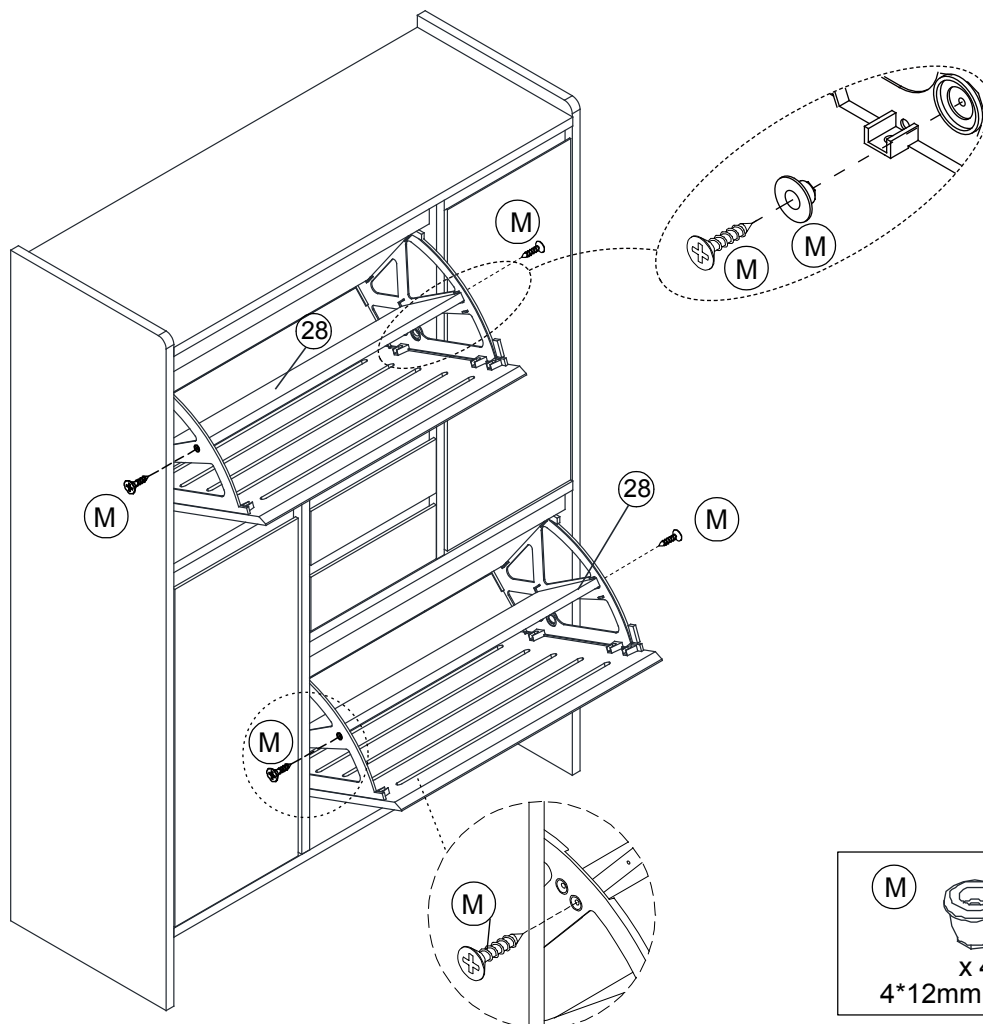


J



4*12mm Screw x 4

Step 23



M

M

28

M

M

M

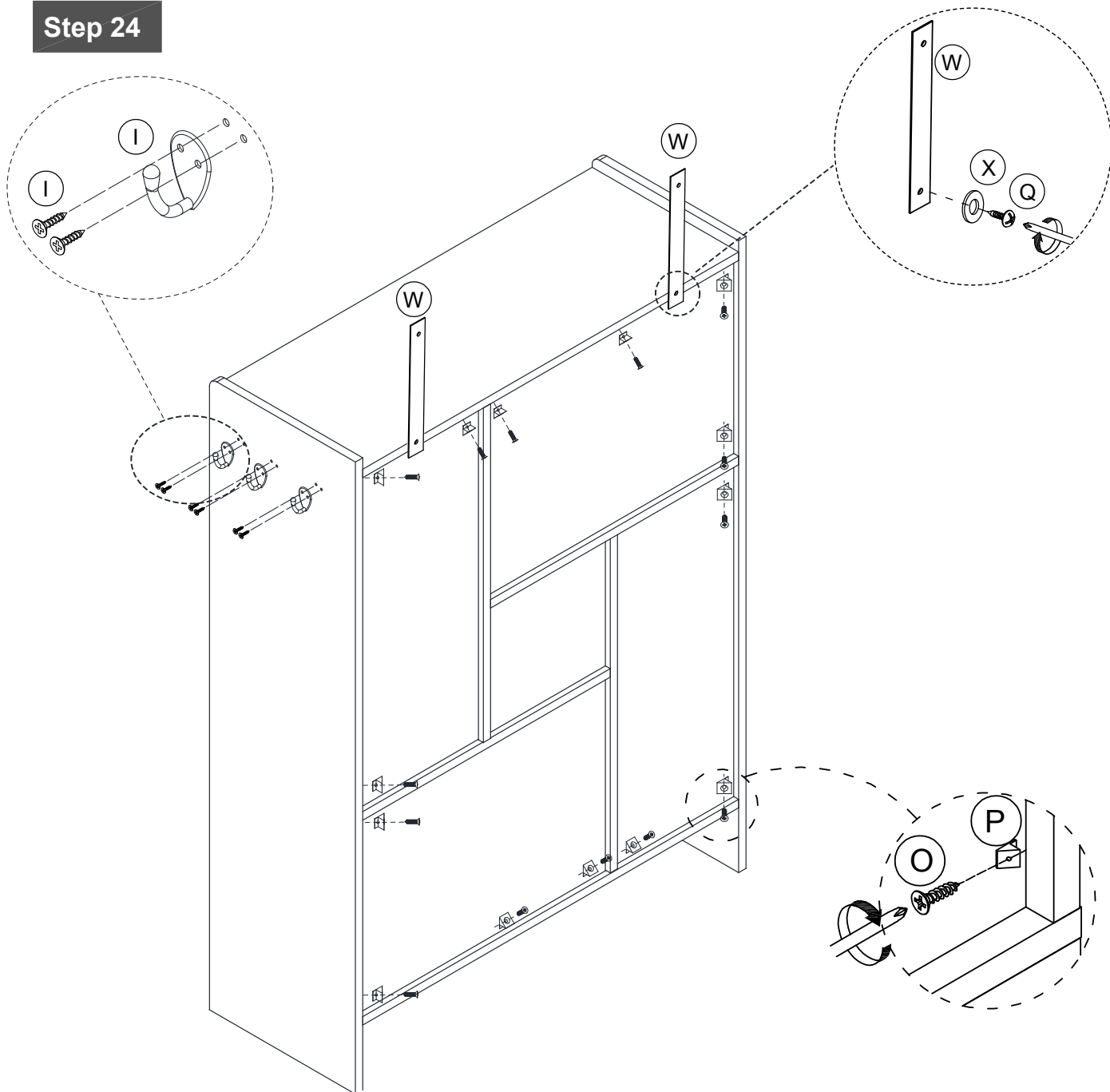
M





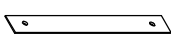



x 4
4*12mm Screw x 4

Assembly

Step 24

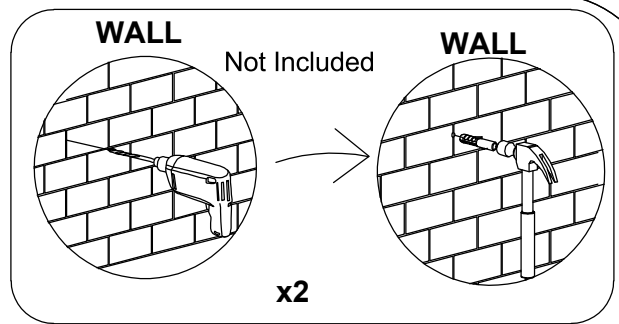
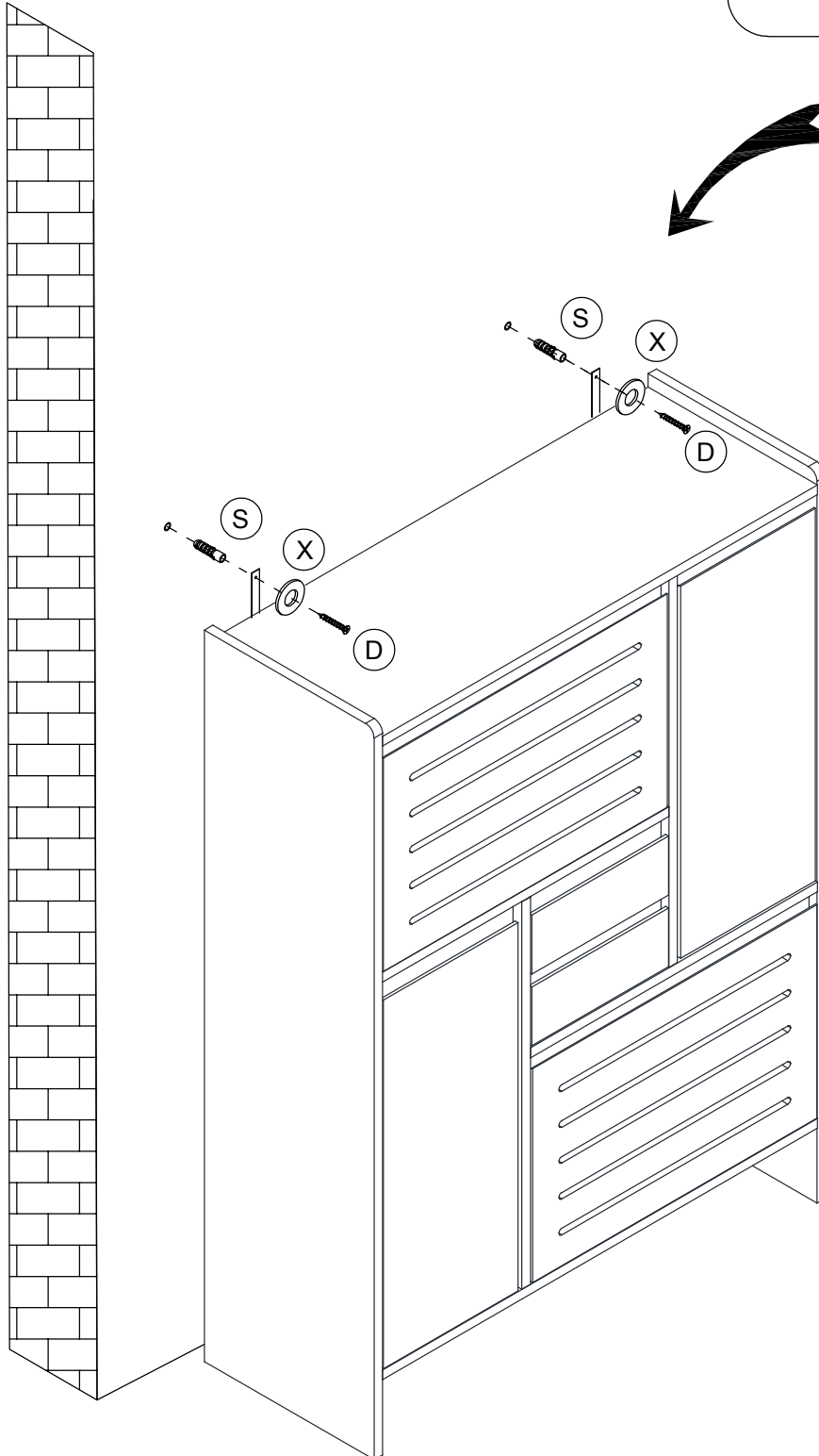



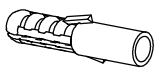

<p>I</p>  <p>Clothes Hook x 3 3*16mm Screw x 6</p>	<p>O</p>  <p>3*16mm Screw x 14</p>	<p>P</p>  <p>Back Panel Buckle x 14</p>
<p>Q</p>  <p>4*12mm Screw x 2</p>	<p>W</p>  <p>Anti-Fall Strip x 2</p>	<p>X</p>  <p>Shim x 2</p>

Assembly Instructions

Step 25

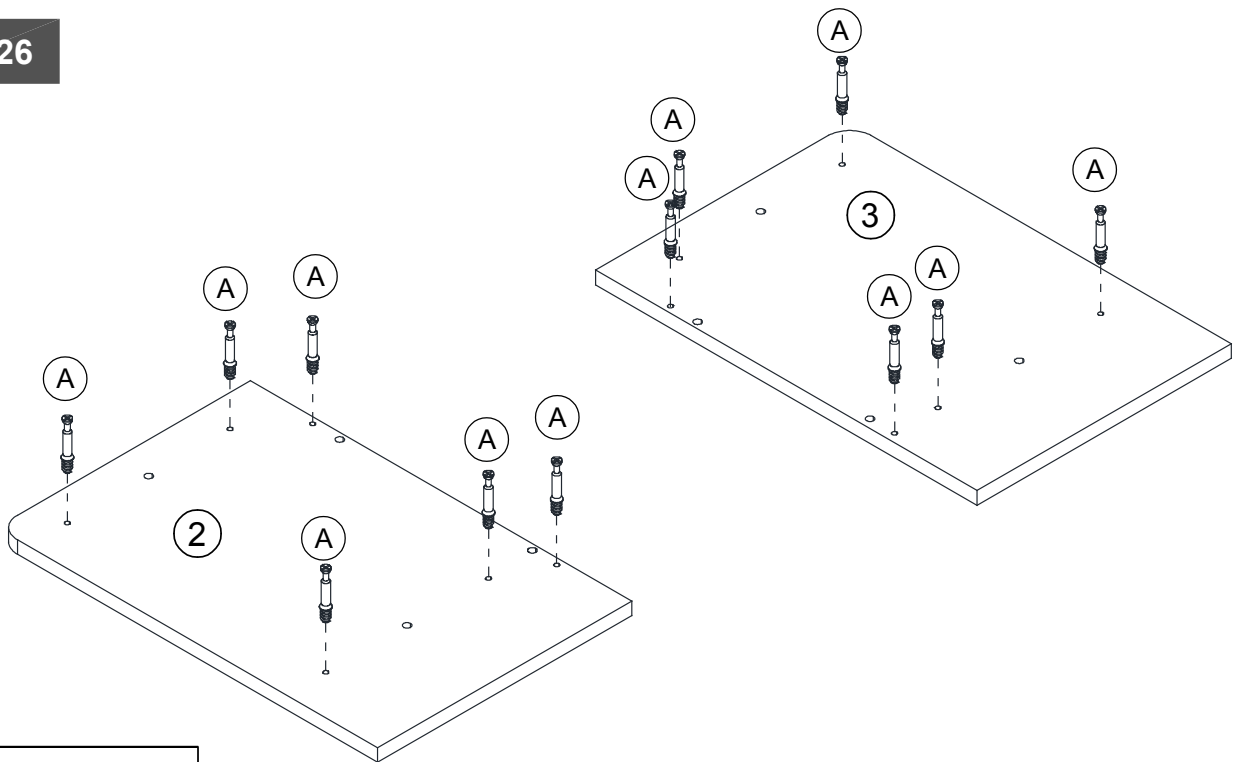
WALL



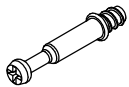
(D)	
	4*35mm Screw x 2
(S)	
	Plastic expansion x 2
(X)	
	Shim x 2

Assembly

Step 26

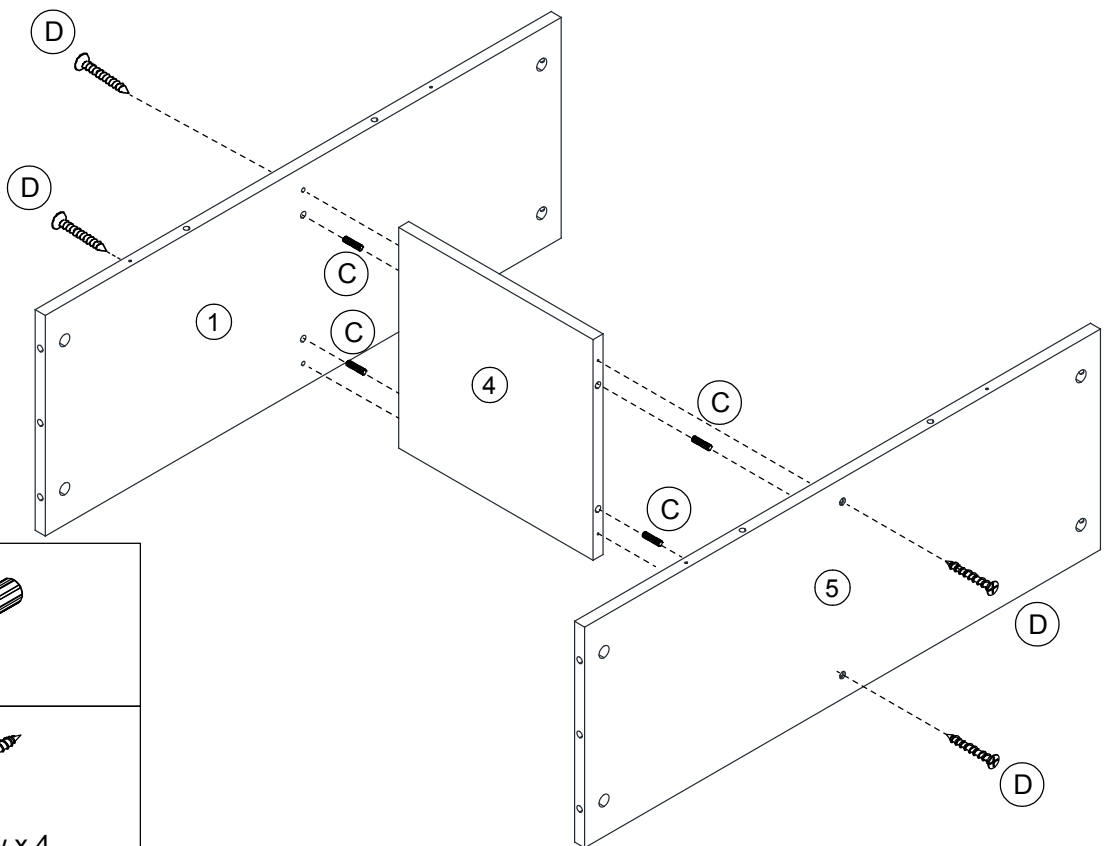


(A)



Cam Bolt x 12

Step 27



(C)



Dowel x 4

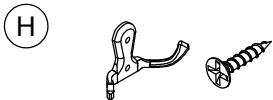
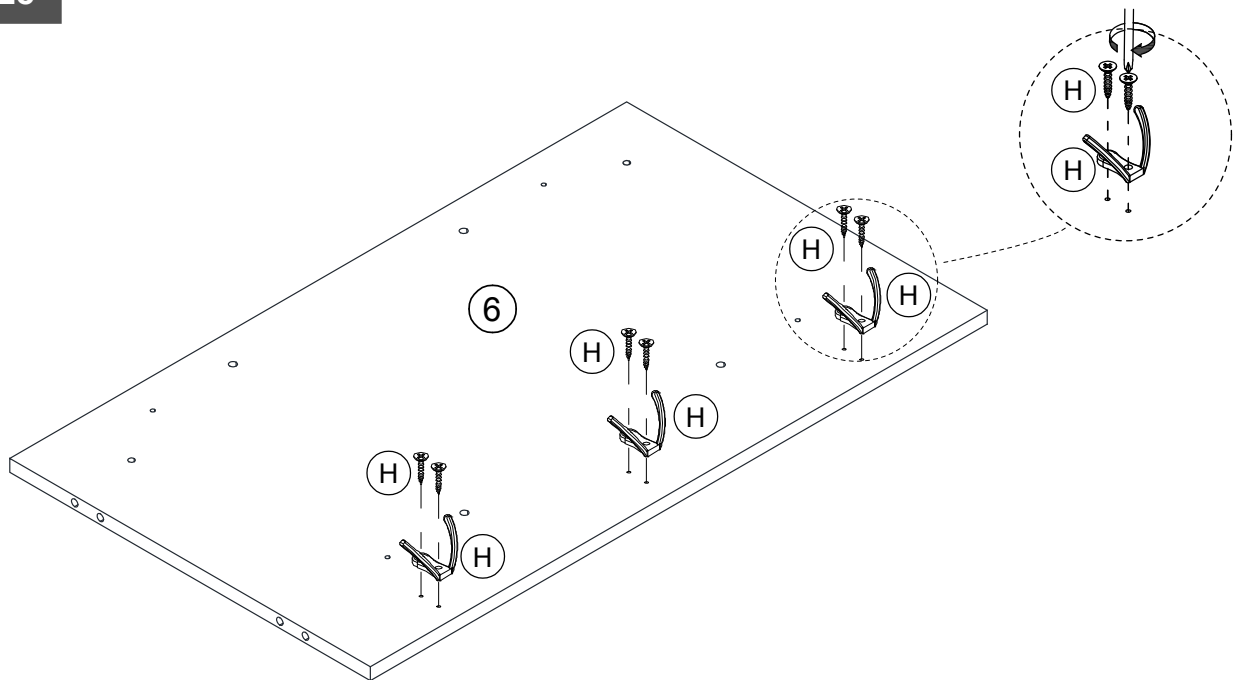
(D)



4*35mm Screw x 4

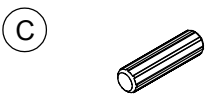
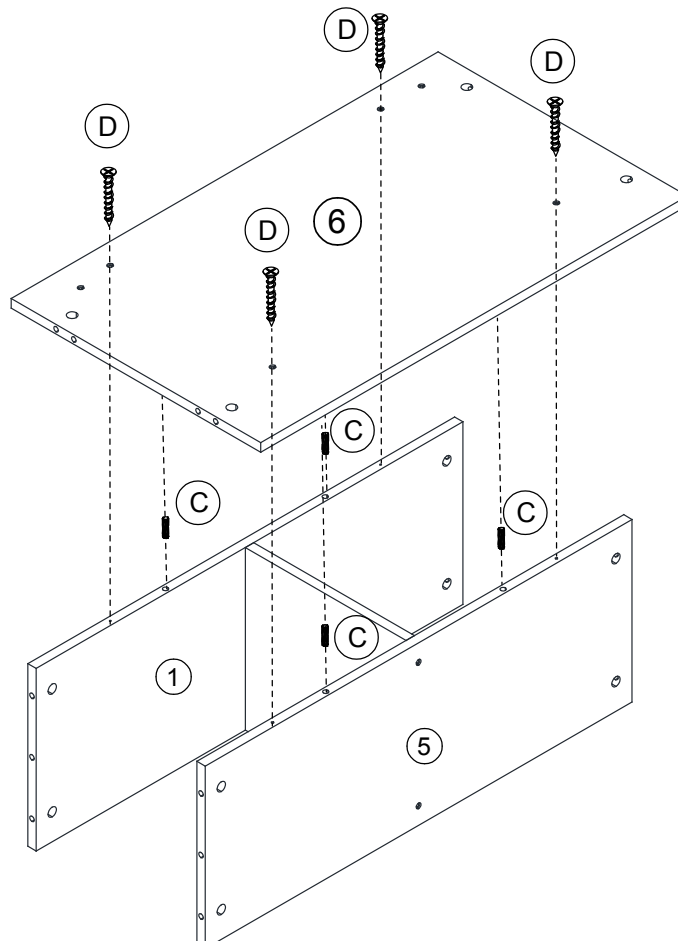
Assembly

Step 28



Clothes Hook x 3
3*16mm Screw x 6

Step 29



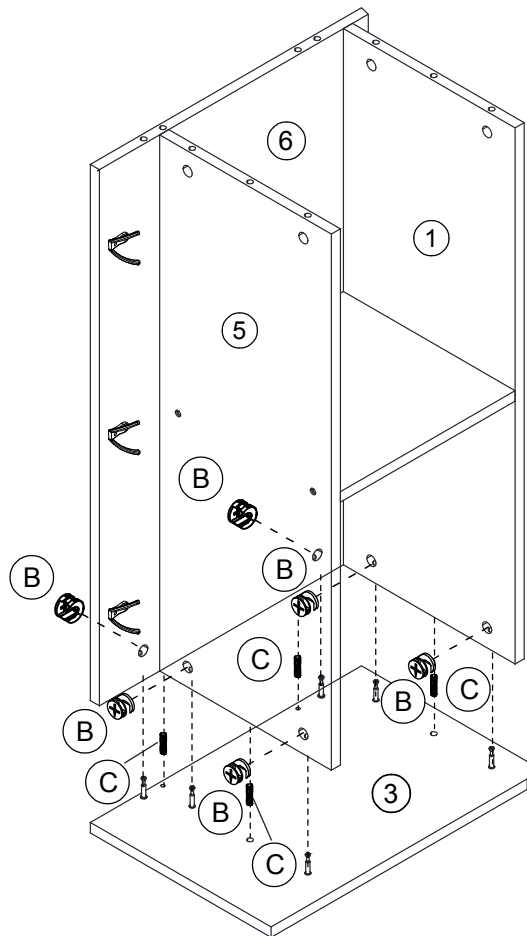
Dowel x 4



4*35mm Screw x 4

Assembly

Step 30



(C)



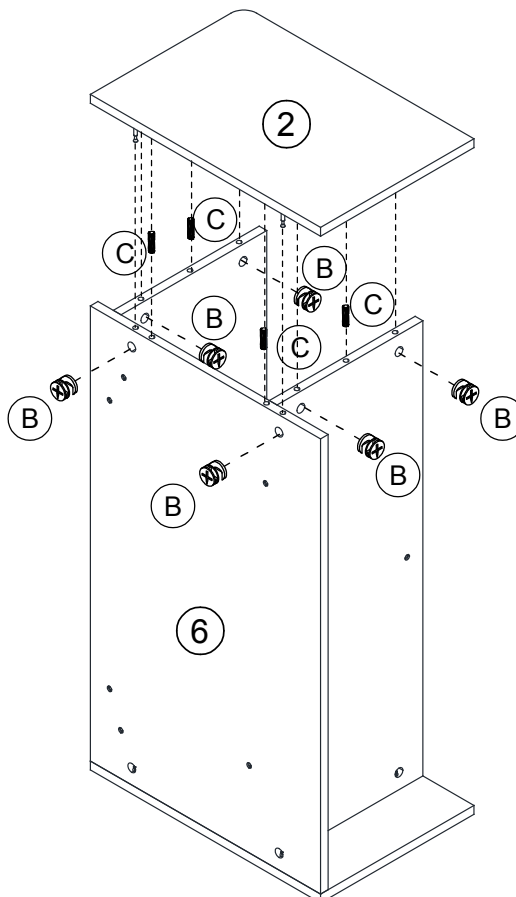
Dowel x 4

(B)



Cam lock x 6

Step 31



(C)



Dowel x 4

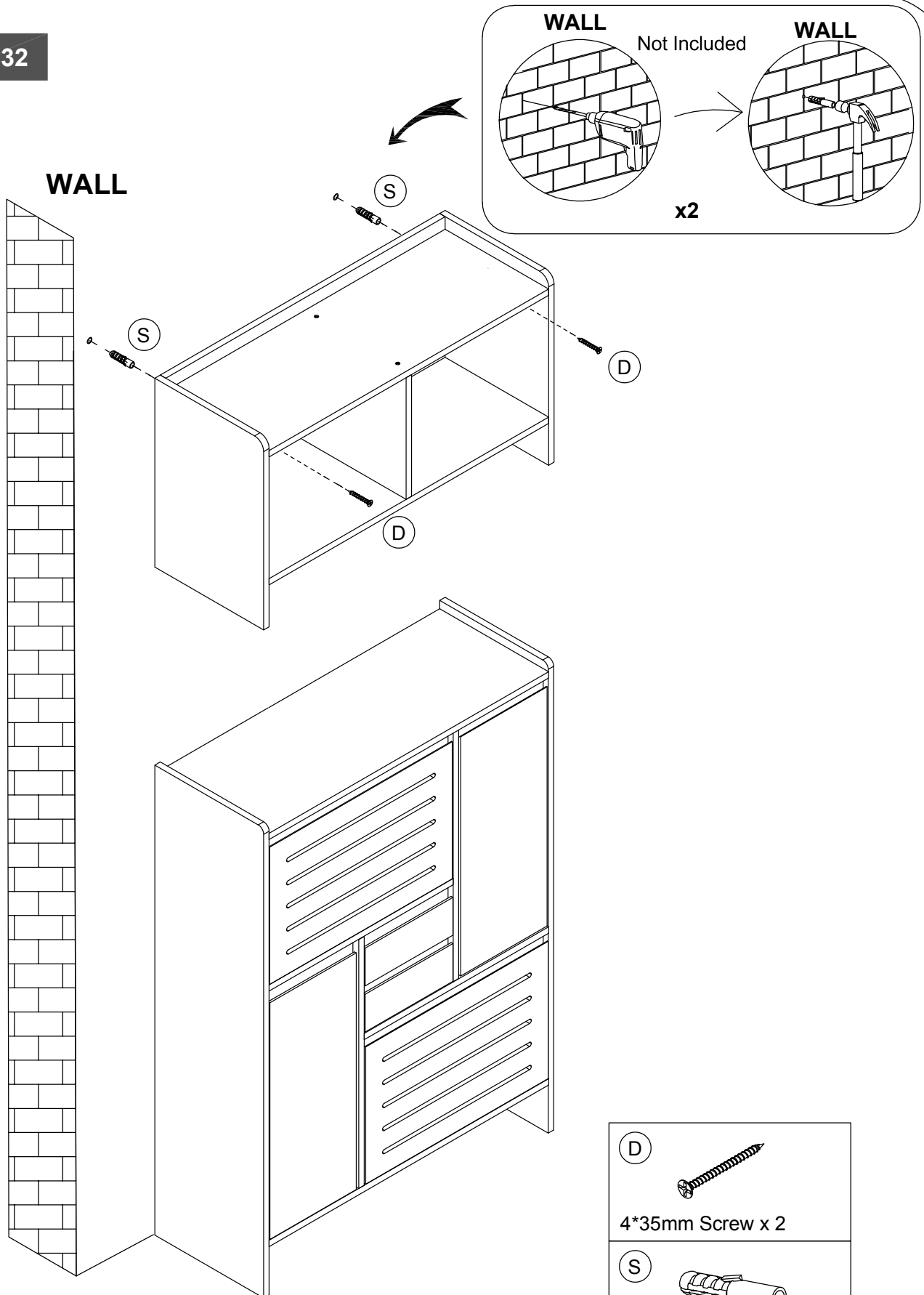
(B)



Cam lock x 6

Assembly

Step 32



Assembly Instructions

Finish

