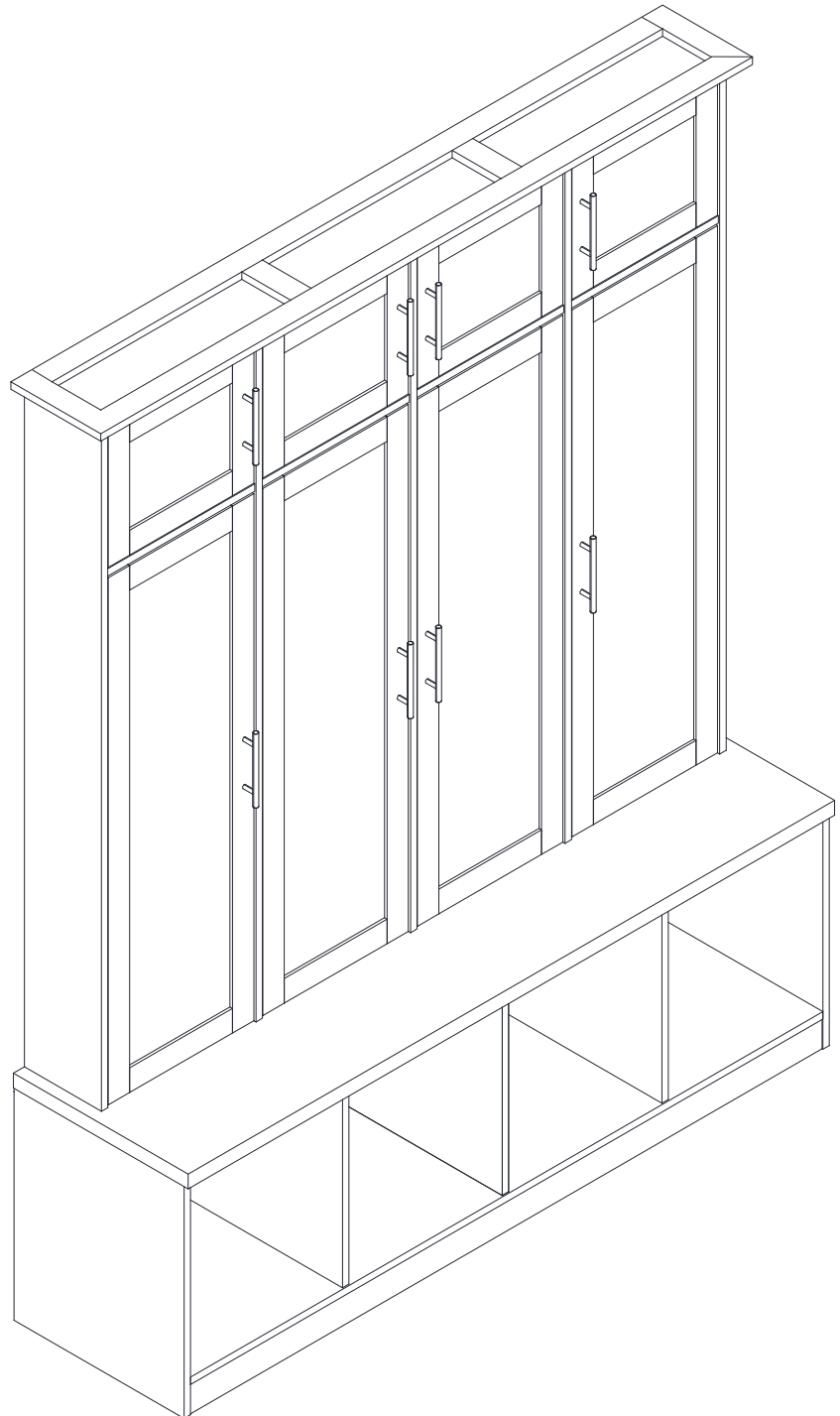


Hall Tree

Assembly Instructions - Please keep for future reference



Dimensions

Width- 59.05inch

Depth-15.75inch

Height-74.80inch

Important – Please read these instructions fully before starting assembly



Safety and Care Advice

Important – Please read these instructions fully before starting assembly

- Check you have all the components and tools listed on the following pages.
- Remove all fittings from the plastic bags and separate them into their groups.
- Keep children and animals away from the work area, small parts could choke if swallowed.
- Make sure you have enough space to layout the parts before starting.

- During assembly do not stand or put weight on the product, this could cause damage.
- Assemble the item as close to its final position (in the same room) as possible.
- Assemble on a soft level surface to avoid damaging the unit or your floor.
- Parts of the assembly will be easier with 2 people.



power drill is set on a low torque setting.

- To reduce the likelihood of damaging your product please ensure that your

Care and maintenance

- Only clean using a damp cloth and mild detergent, do not use bleach or abrasive cleaners.
- From time to time check that there are no loose screws on this unit.
- This product should not be discarded with household waste. Take to your local authority waste disposal centre.

Handy Hints

- Assemble all parts and bolts loosely during assembly, only once the product is complete should you fully tighten the bolts
- Regularly check and ensure That all bolts and fittings are tightend properly.

WARNING In order to help prevent overturning – please follow these instructions



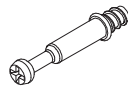



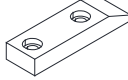

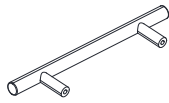







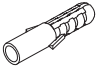
To help prevent product toppling over please follow the below steps:-

- Use the anti tip stap or wall fixing method provided (if applicable)
- Do not allow children to climb or hang on the furniture
- Do not open more than one drawer at a time
- Do not place heavy items in the top drawers
- Do not place heavy items on top of the furniture, unless the furniture has been designed for this purpose

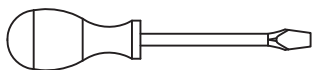
Components - Fittings

Please check you have all the panels listed below

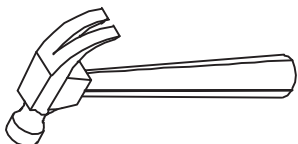
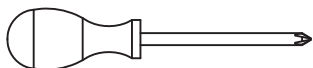
Note: The quantities below are the correct amount to complete the assembly. In some cases more fittings may be supplied than are required

<p>(A)  4*14mm Screw x 136</p>	<p>(B)  Hook x 4</p>	<p>(C)  Cam Bolt x 66</p>	<p>(D)  8*30mm Dowel x 58+1</p>
<p>(E)  Cam lock x 66</p>	<p>(F)  6*50mm Dowel x 15+1</p>	<p>(G)  x 8</p>	<p>(H)  Hinge x 20</p>
<p>(I)  Handle x 8</p>	<p>(J)  4*20mm Screw x 16</p>	<p>(K)  4*35mm Screw x 8</p>	<p>(L)  Anti-Fall Strip x 2</p>
<p>(M)  4*12mm Screw x 2</p>	<p>(N)  Shim x 4</p>	<p>(P)  Back Panel Buckle x 22</p>	<p>(Q)  3*16mm Screw x 30</p>
<p>(R)  Plastic expansion x 2</p>			

Tools required Not Included



Phillips screwdriver
(medium & large)



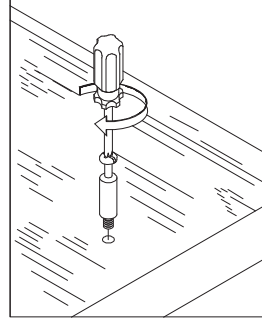
Using Camlocks

Step 1

Connect the male camlock as directed in the assembly instructions using a screwdriver.

1

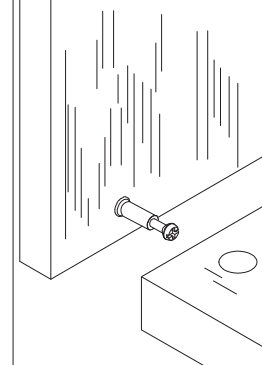
DO NOT OVER TIGHTEN.
NE PAS SERRER EXCESSIVEMENT.



Step 2

Push the male camlock into the entry hole.

2

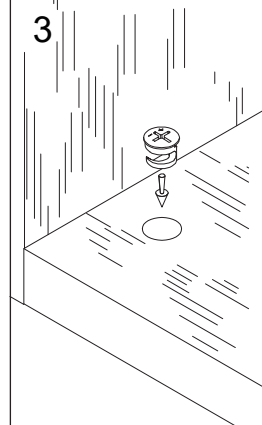


Step 3

Insert the female camlock as shown in the instruction.

Note: ensure that the arrow on the top of the camlock points towards the entry hole for the male camlock.

3



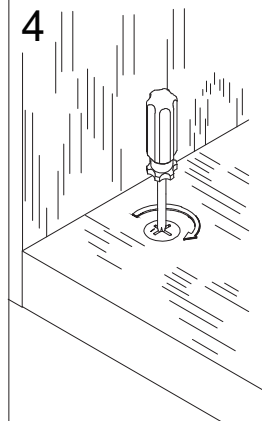
Step 4

Turn the female camlock clockwise with a screwdriver.

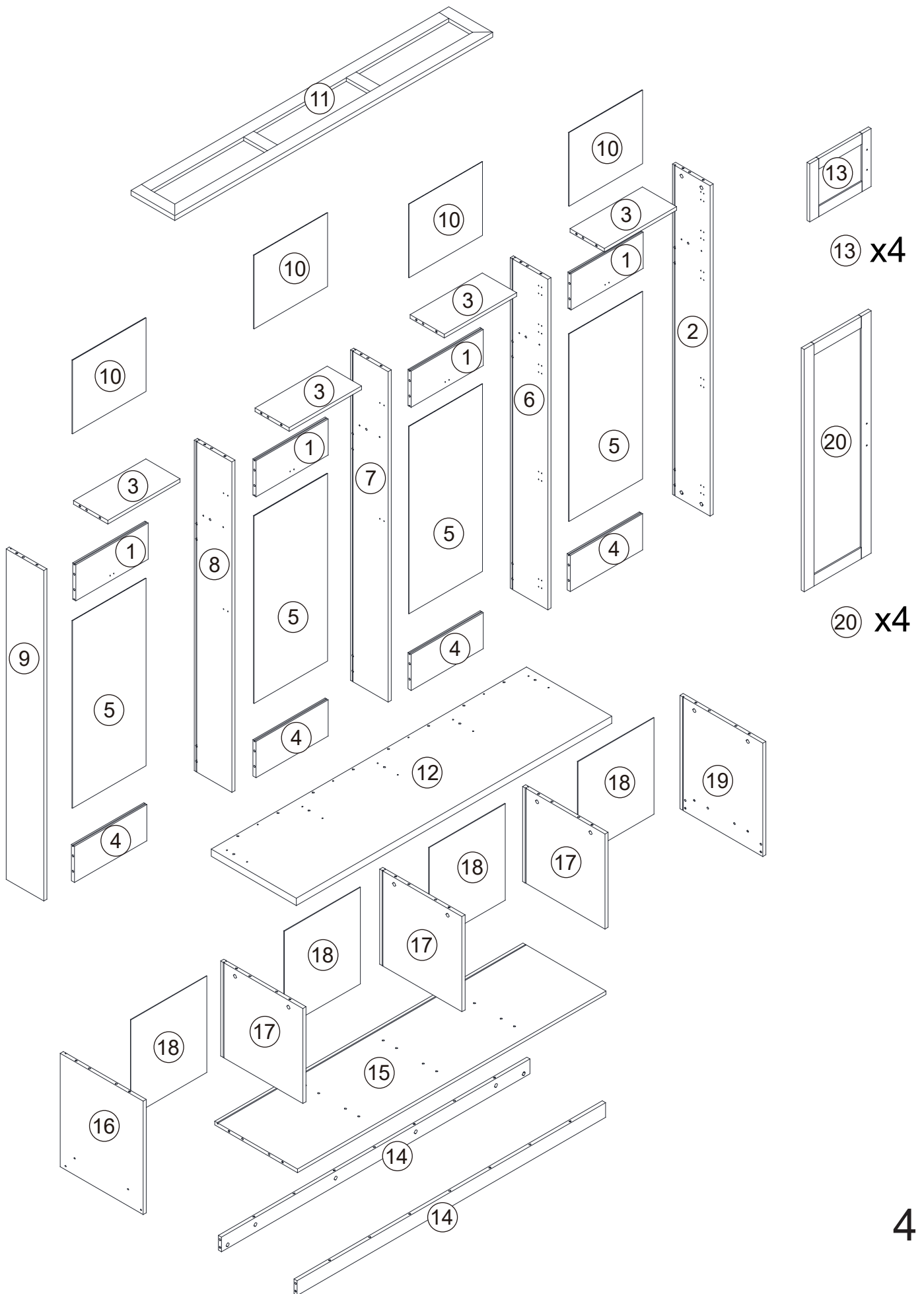
You should feel a click when the camlock is locked in place.

The joint is now secure.

4

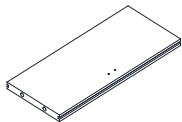


Assembly Instructions



Assembly Instructions

① x4



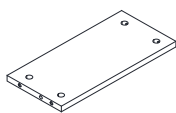
346*150*15

② x1



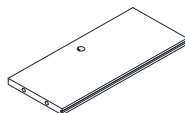
1370*180*15

③ x4



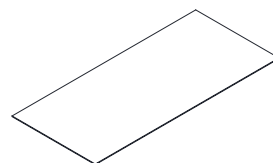
346*164*15

④ x4



346*150*15

⑤ x4



785*353*3

⑥ x1



1370*180*15

⑦ x1



1370*180*15

⑧ x1



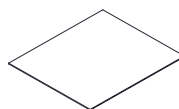
1370*180*15

⑨ x1



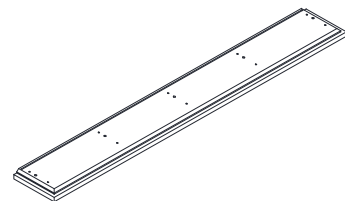
1370*180*15

⑩ x4



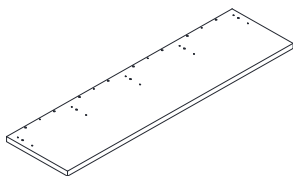
297*353*3

⑪ x1



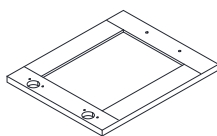
1492*195*30

⑫ x1



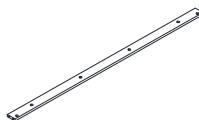
1510*408*30

⑬ x4



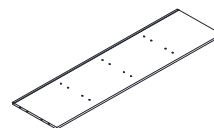
278*348*15

⑭ x2



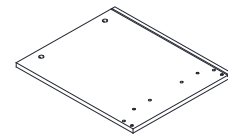
1468*60*15

⑮ x1



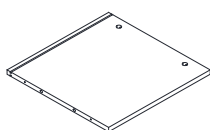
1468*396*15

⑯ x1



470*397*15

⑰ x3



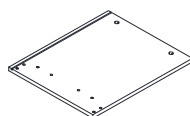
394*394*15

⑱ x4



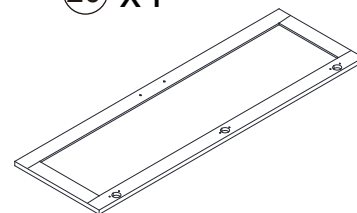
401*362*3

⑲ x1



470*397*15

⑳ x4

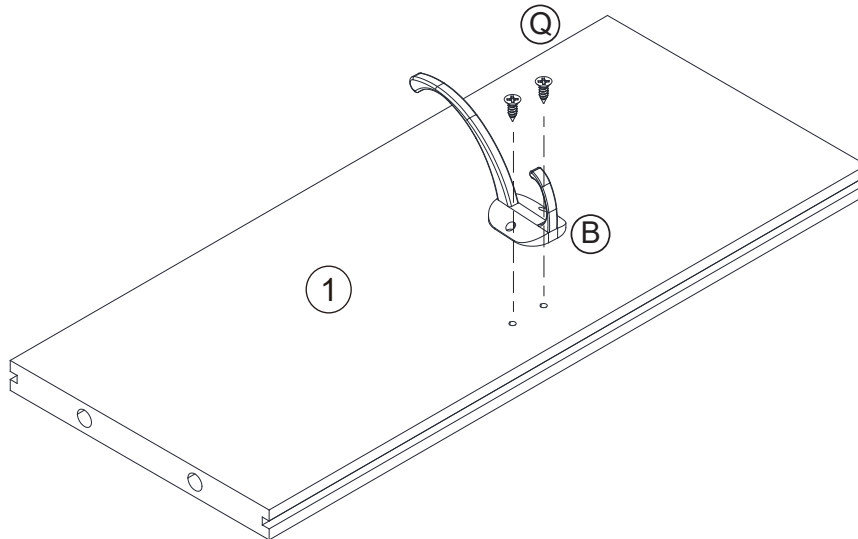


1065*340*15

Assembly Instructions

Step 1

x4



Q



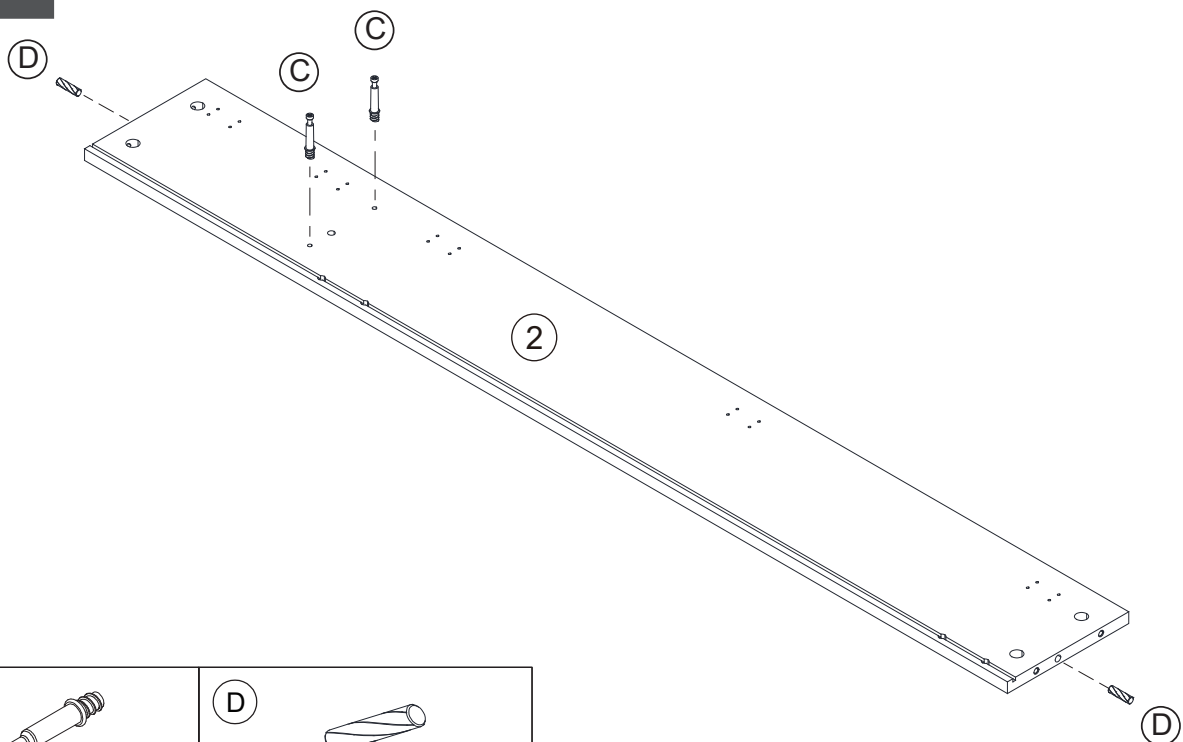
3*16mm Screw x 8

B

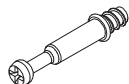


Hook x 4

Step 2



C



Cam Bolt x 2

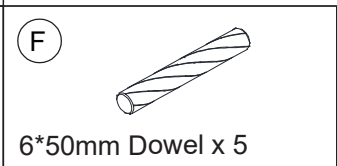
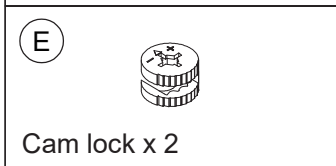
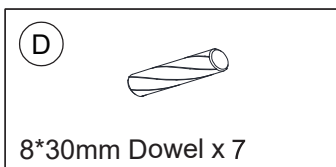
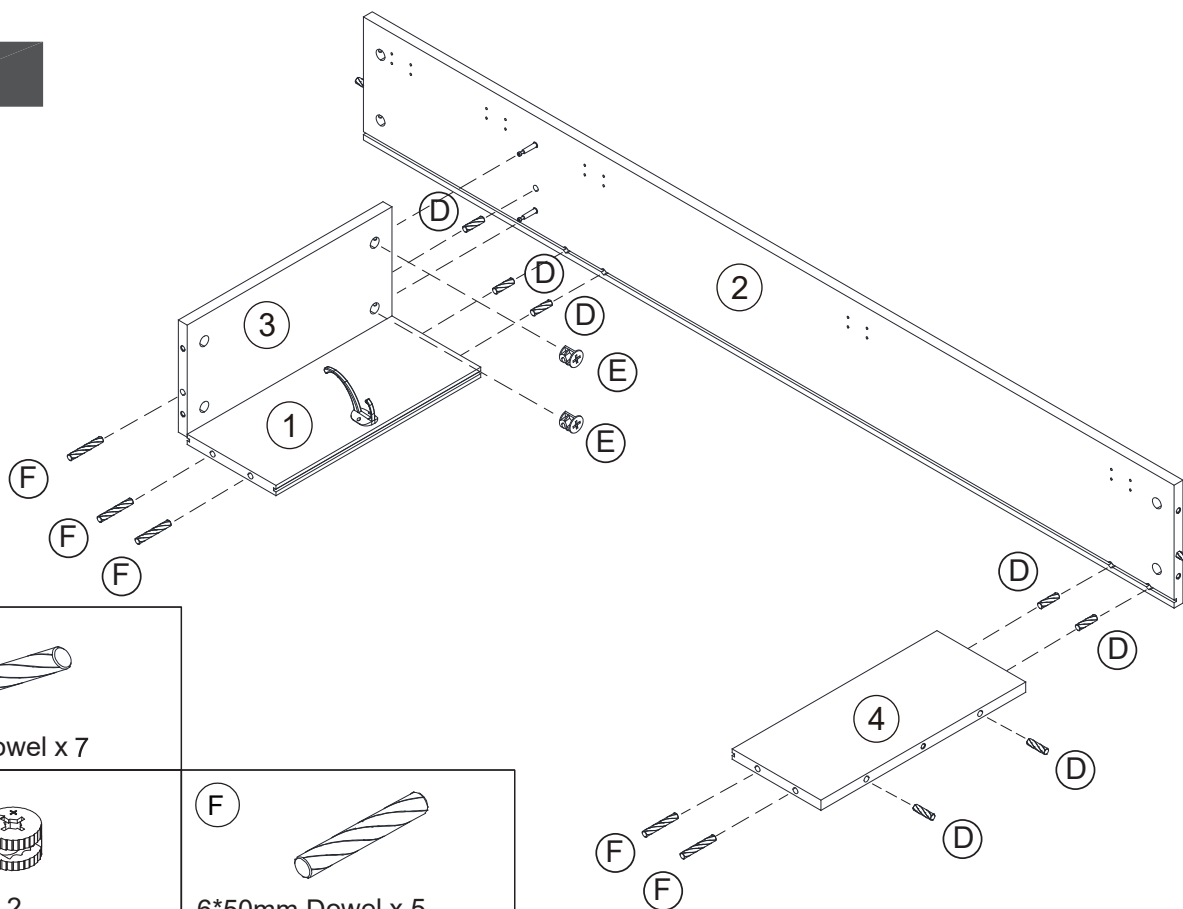
D



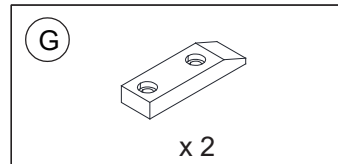
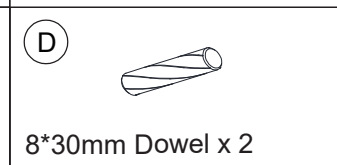
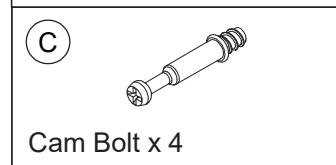
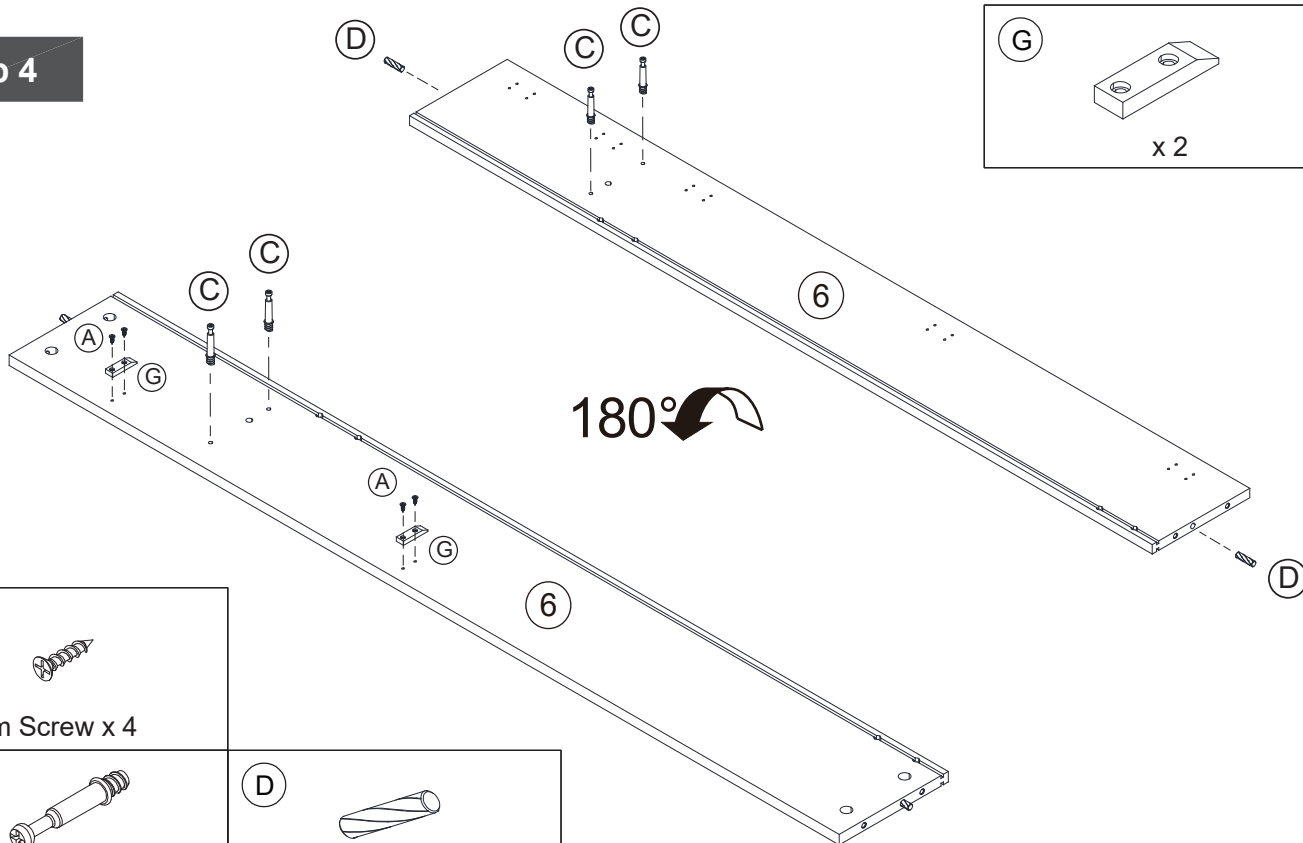
8*30mm Dowel x 2

Assembly Instructions

Step 3

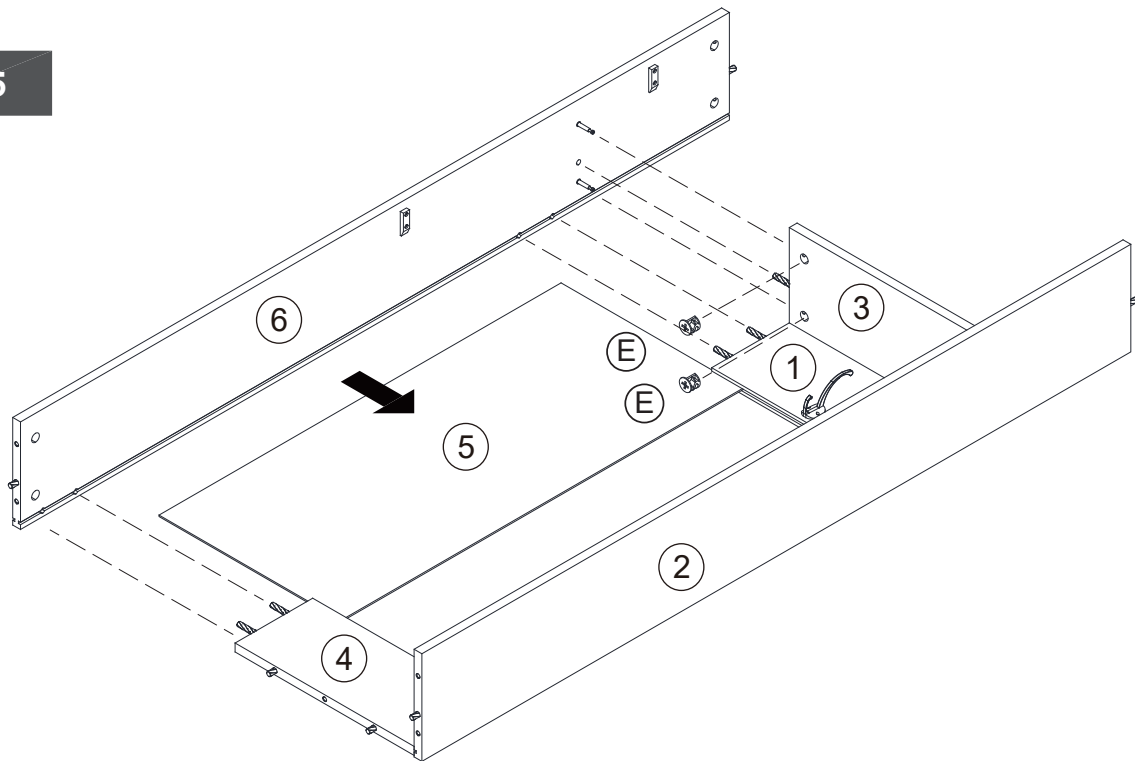


Step 4



Assembly Instructions

Step 5

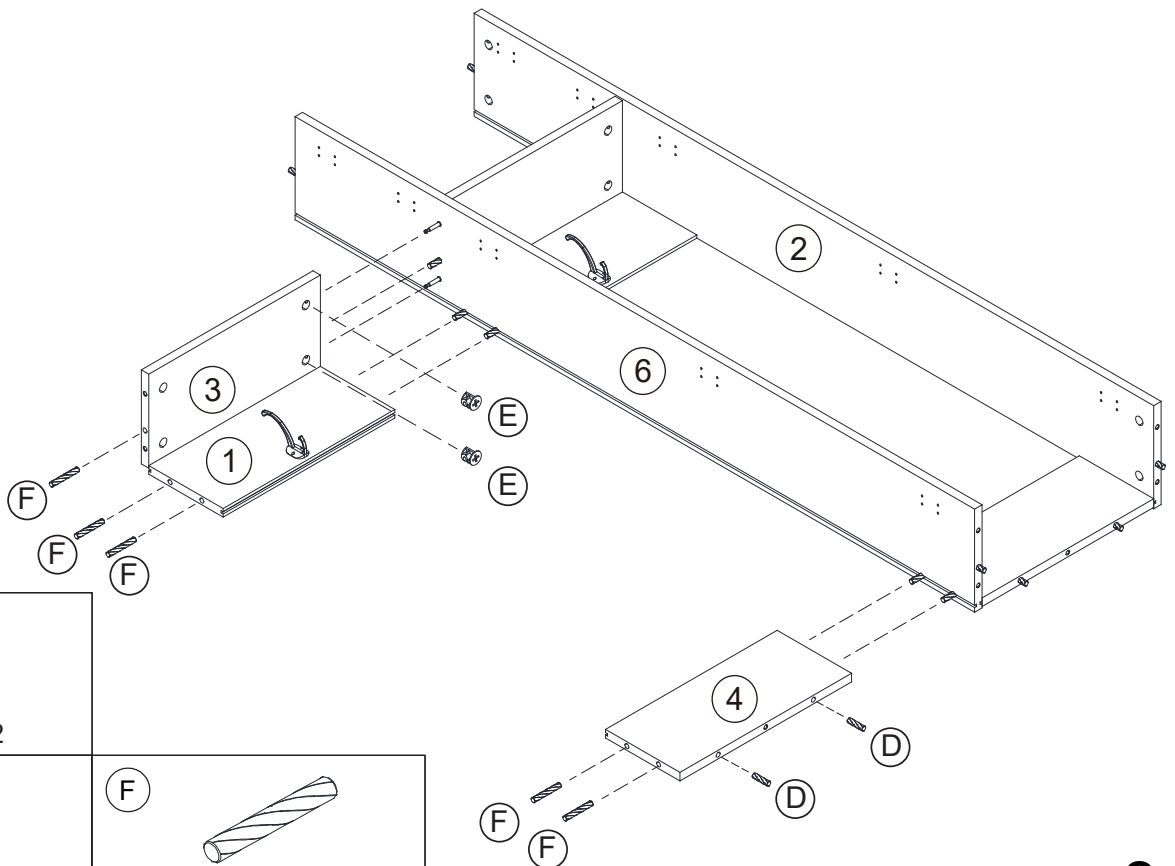


(E)



Cam lock x 2

Step 6



(D)



8*30mm Dowel x 2

(E)



Cam lock x 2

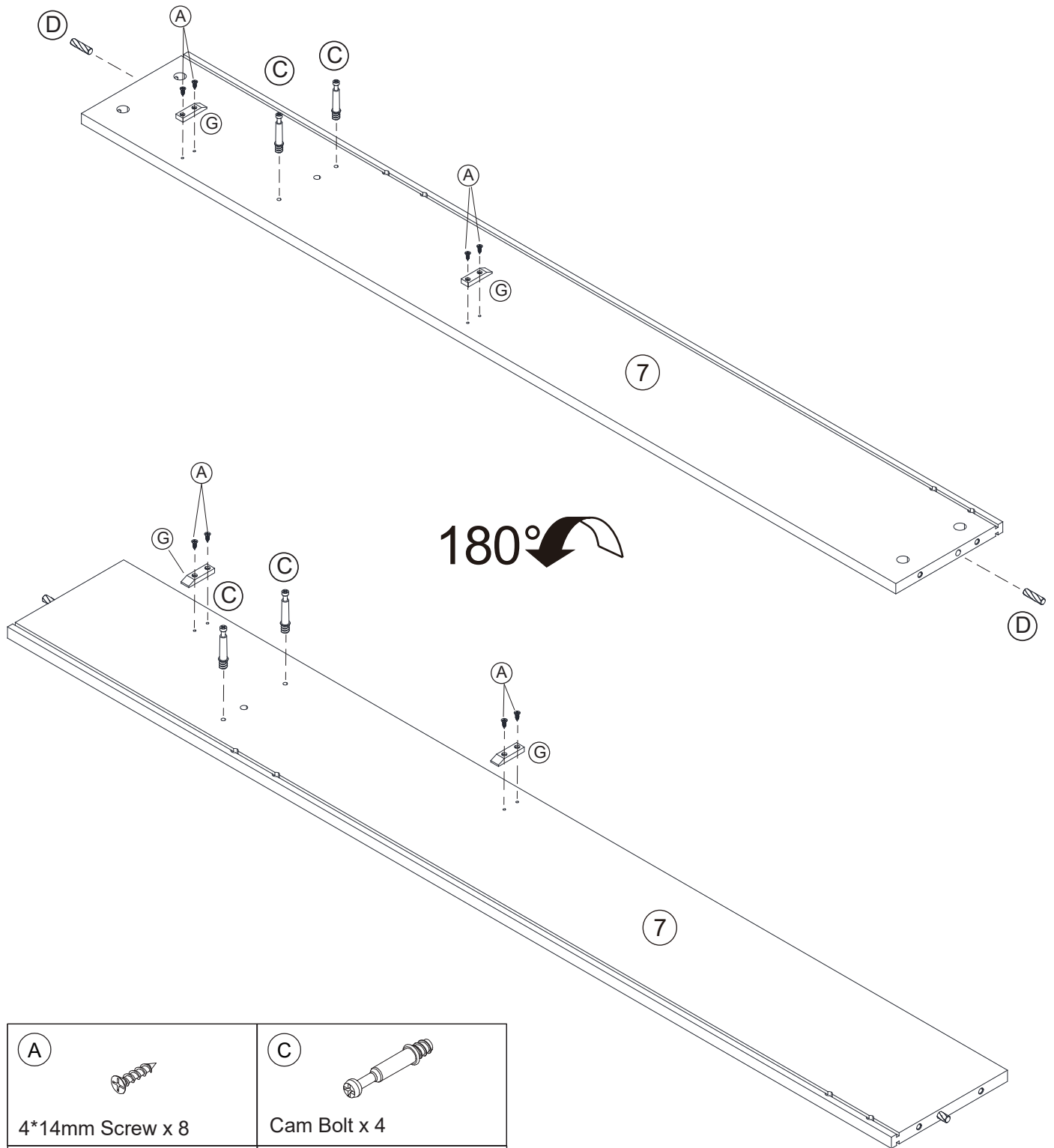
(F)


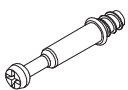

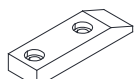


6*50mm Dowel x 5

Assembly Instructions

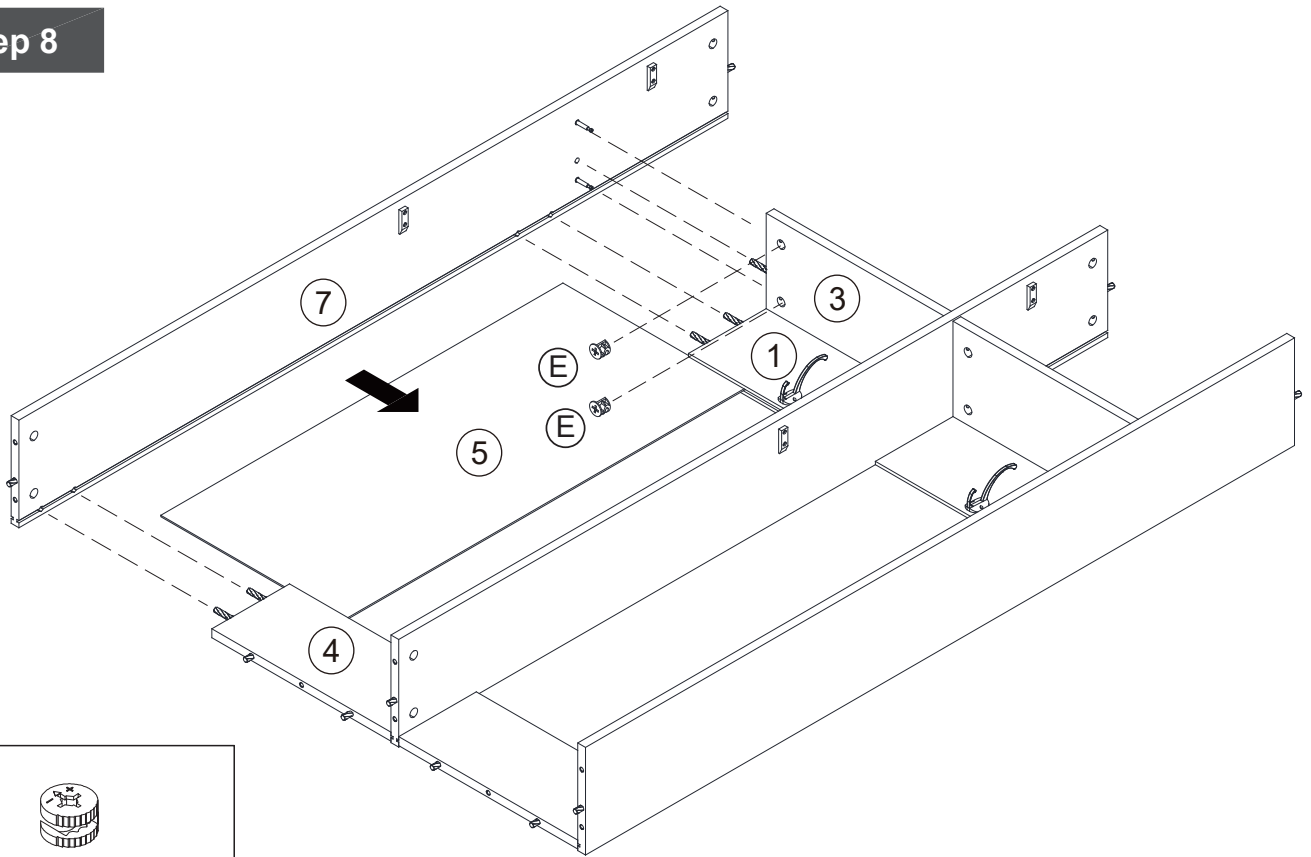
Step 7



<p>(A)</p>  <p>4*14mm Screw x 8</p>	<p>(C)</p>  <p>Cam Bolt x 4</p>
<p>(D)</p>  <p>8*30mm Dowel x 2</p>	<p>(G)</p>  <p>x 4</p>

Assembly Instructions

Step 8

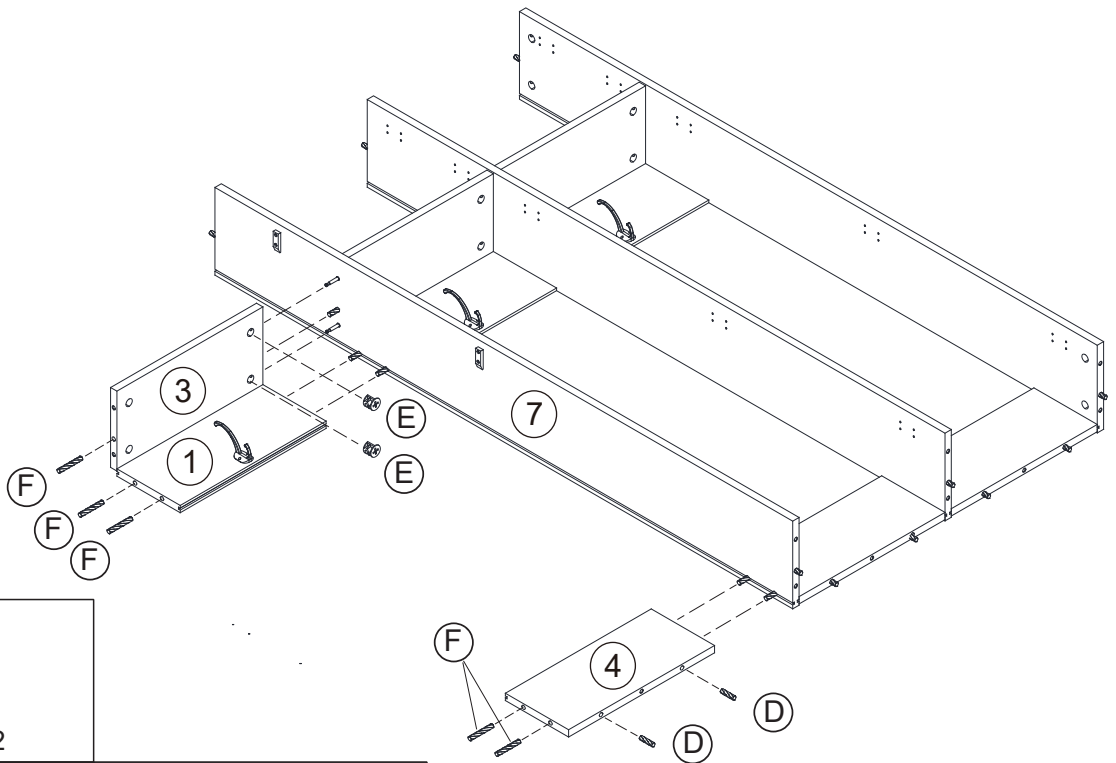


(E)



Cam lock x 2

Step 9



(D)



8*30mm Dowel x 2

(E)



Cam lock x 2

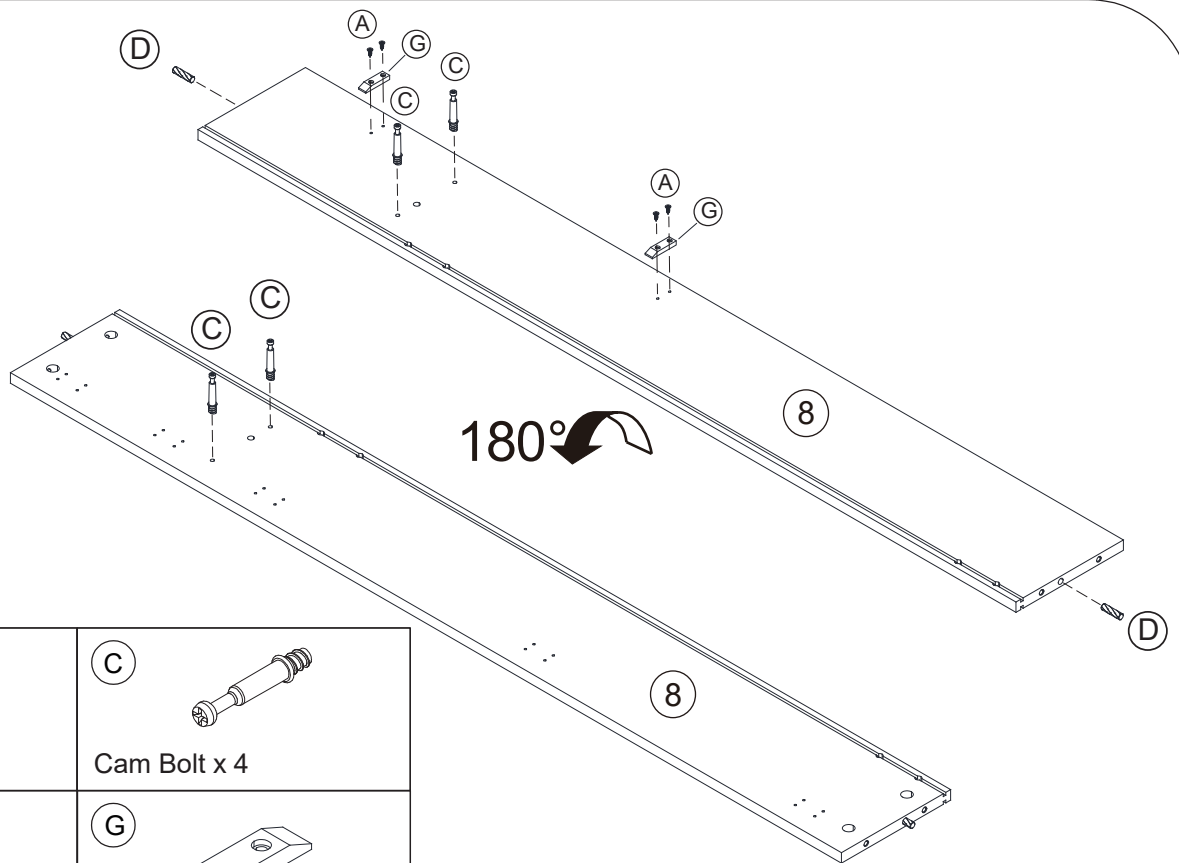
(F)


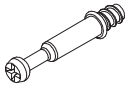

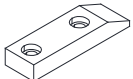


6*50mm Dowel x 5

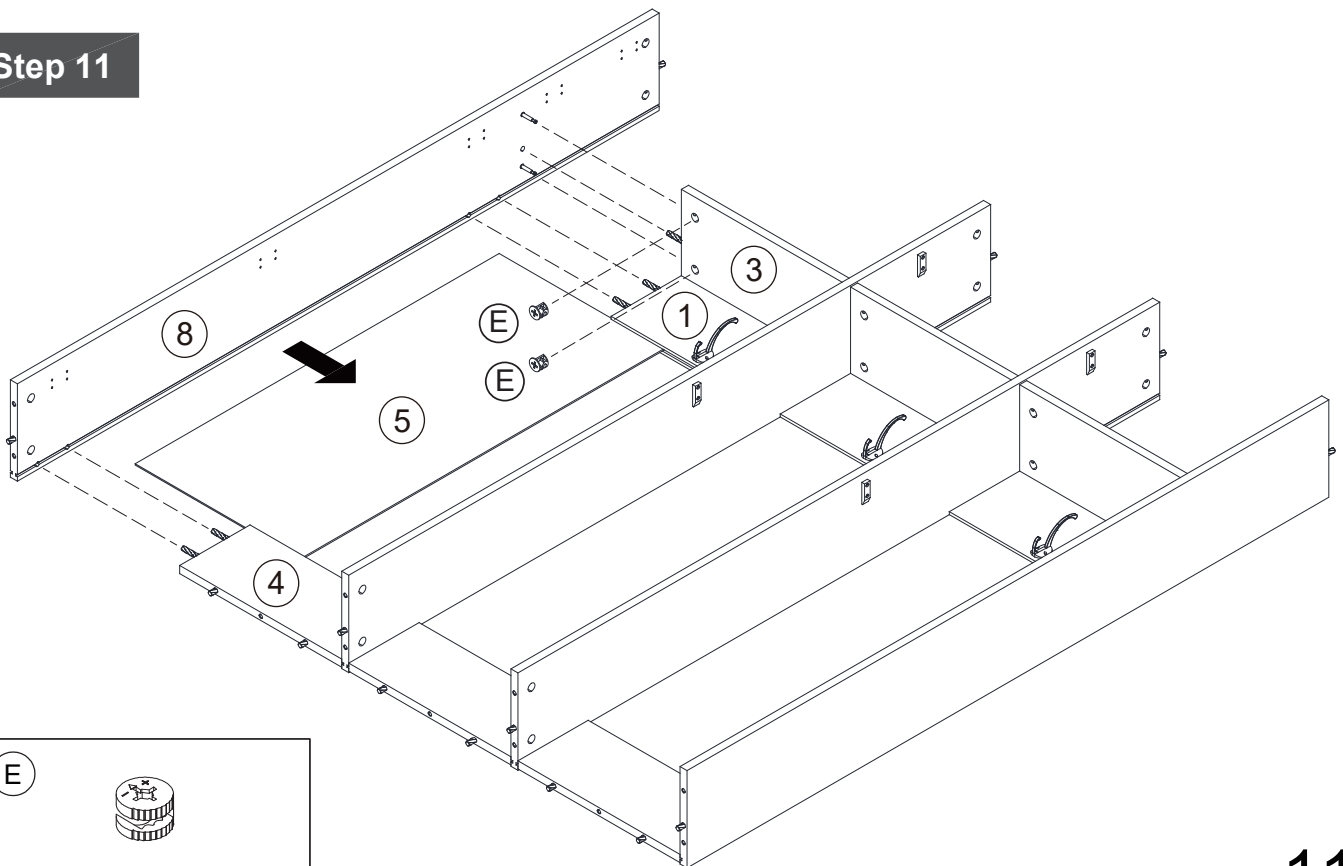
Assembly Instructions


Step 10



<p>(A) </p> <p>4*14mm Screw x 4</p>	<p>(C) </p> <p>Cam Bolt x 4</p>
<p>(D) </p> <p>8*30mm Dowel x 2</p>	<p>(G) </p> <p>x 2</p>

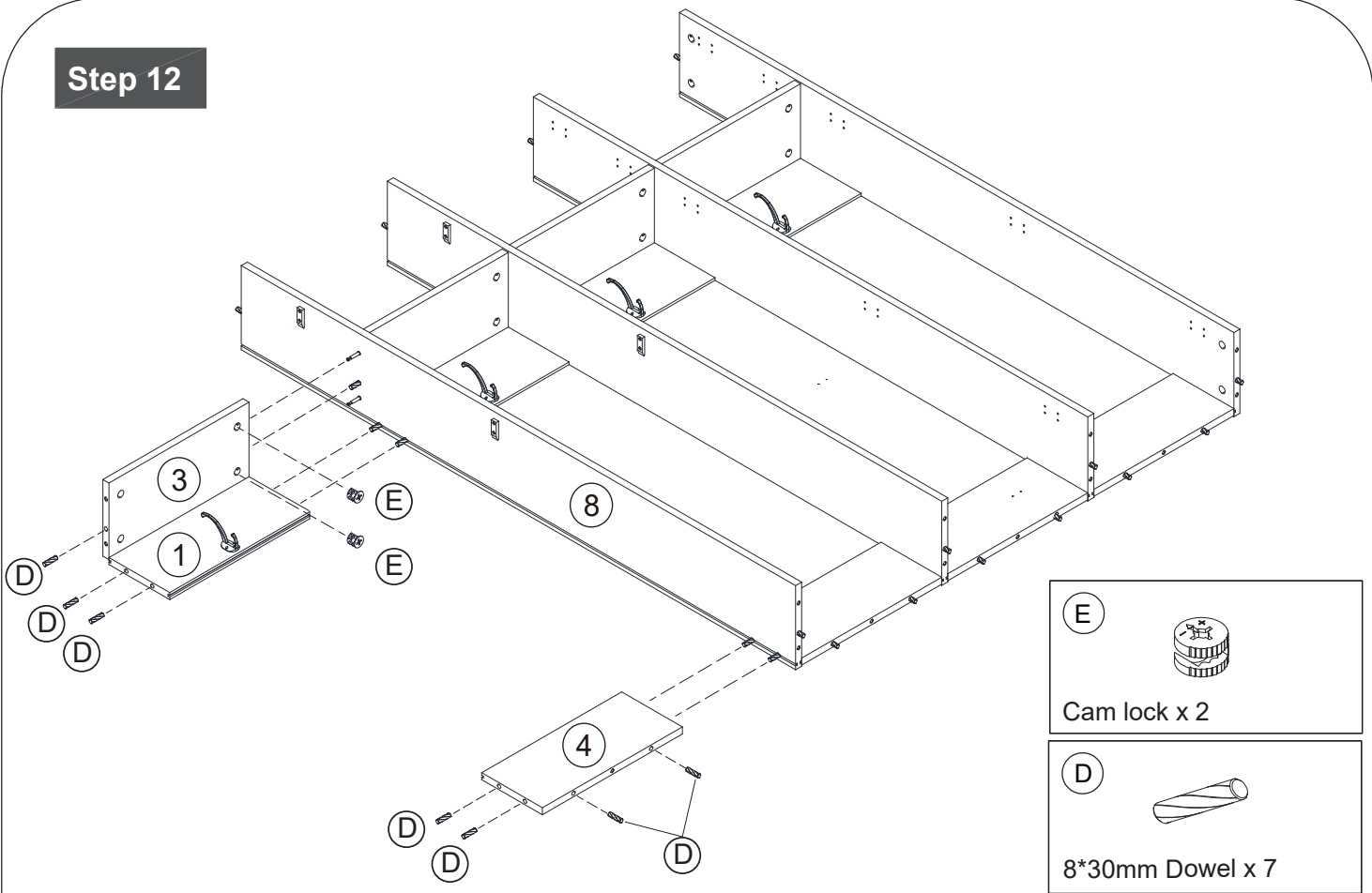
Step 11



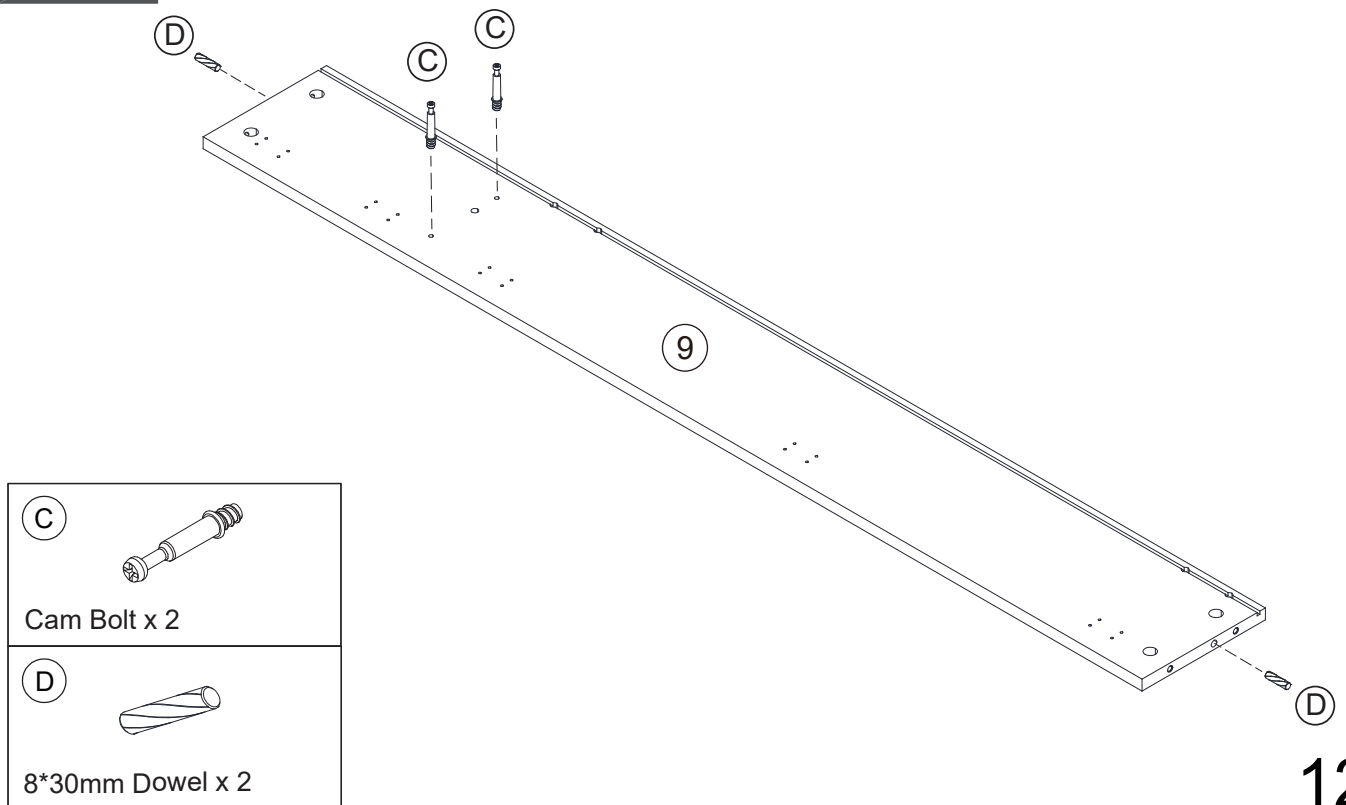
<p>(E) </p> <p>Cam lock x 2</p>
--

Assembly Instructions

Step 12

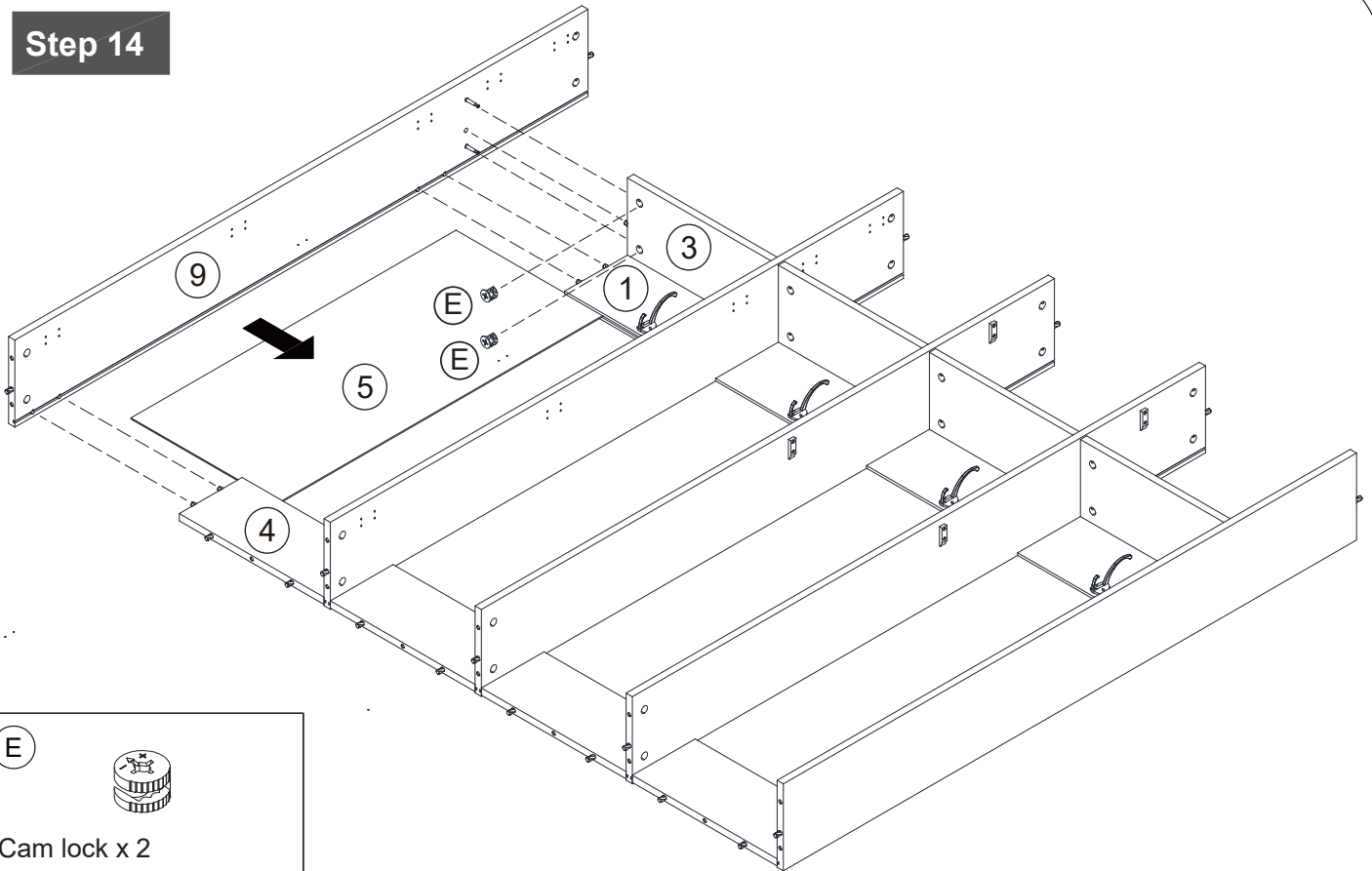


Step 13

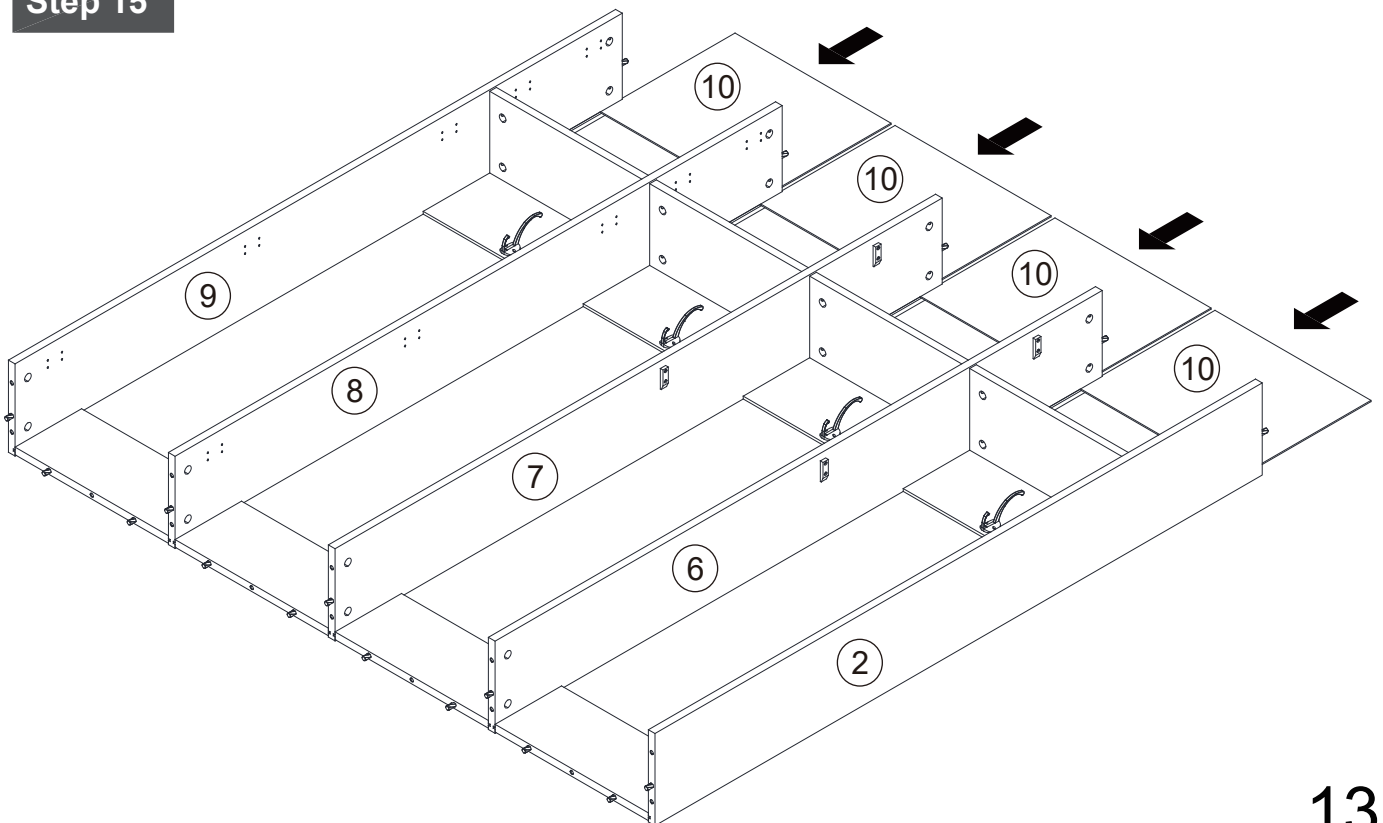


Assembly Instructions

Step 14

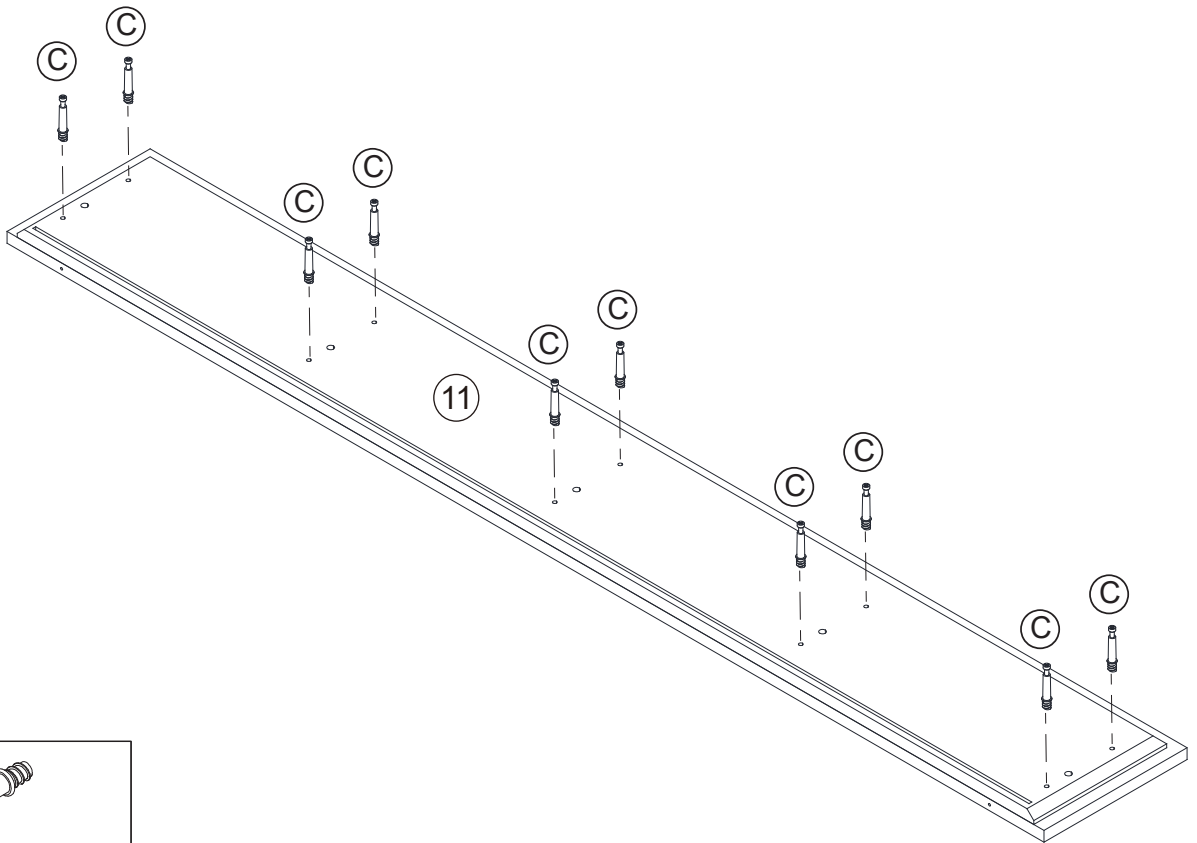


Step 15

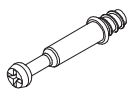


Assembly Instructions

Step 16

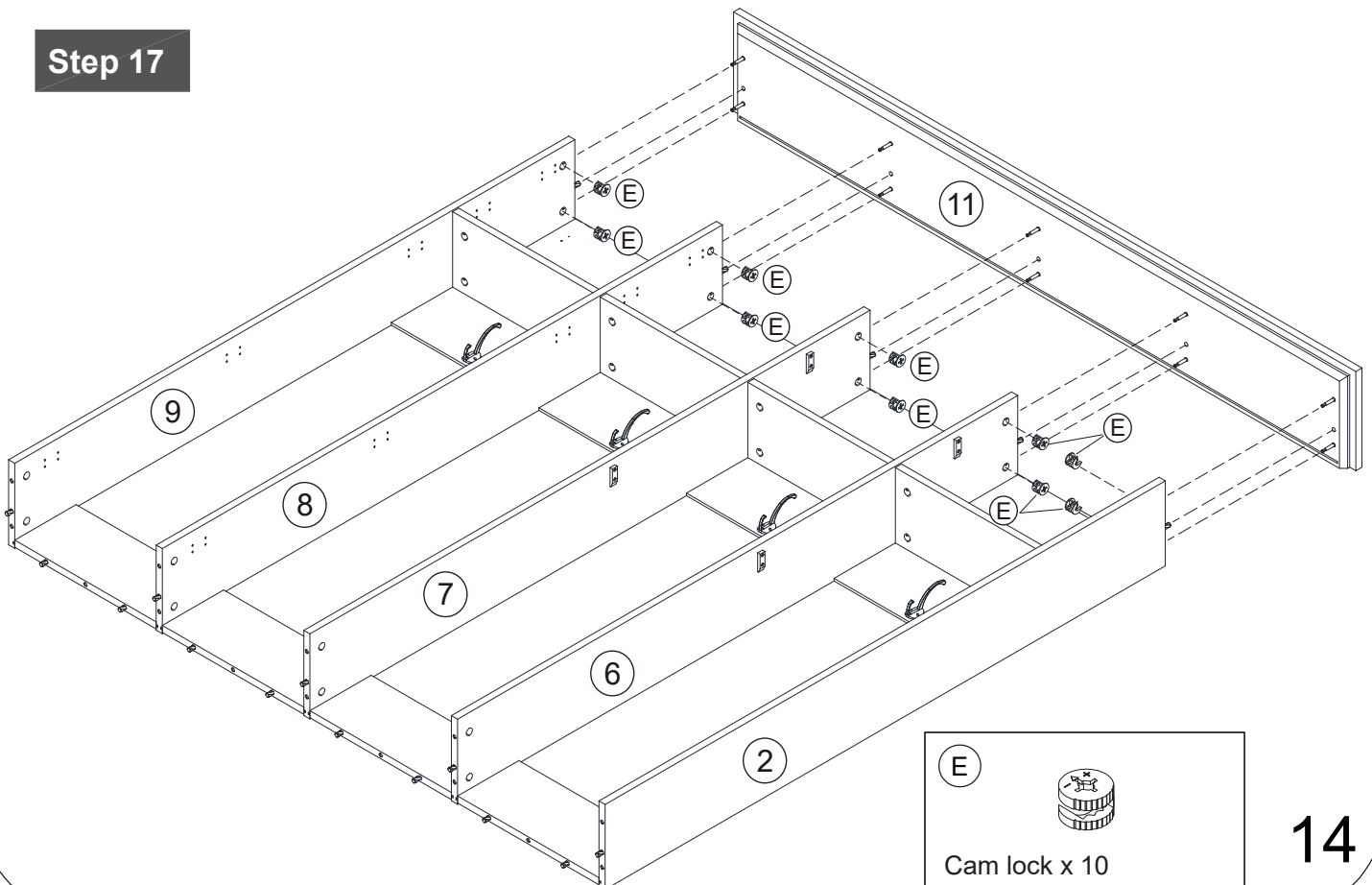


C



Cam Bolt x 10

Step 17



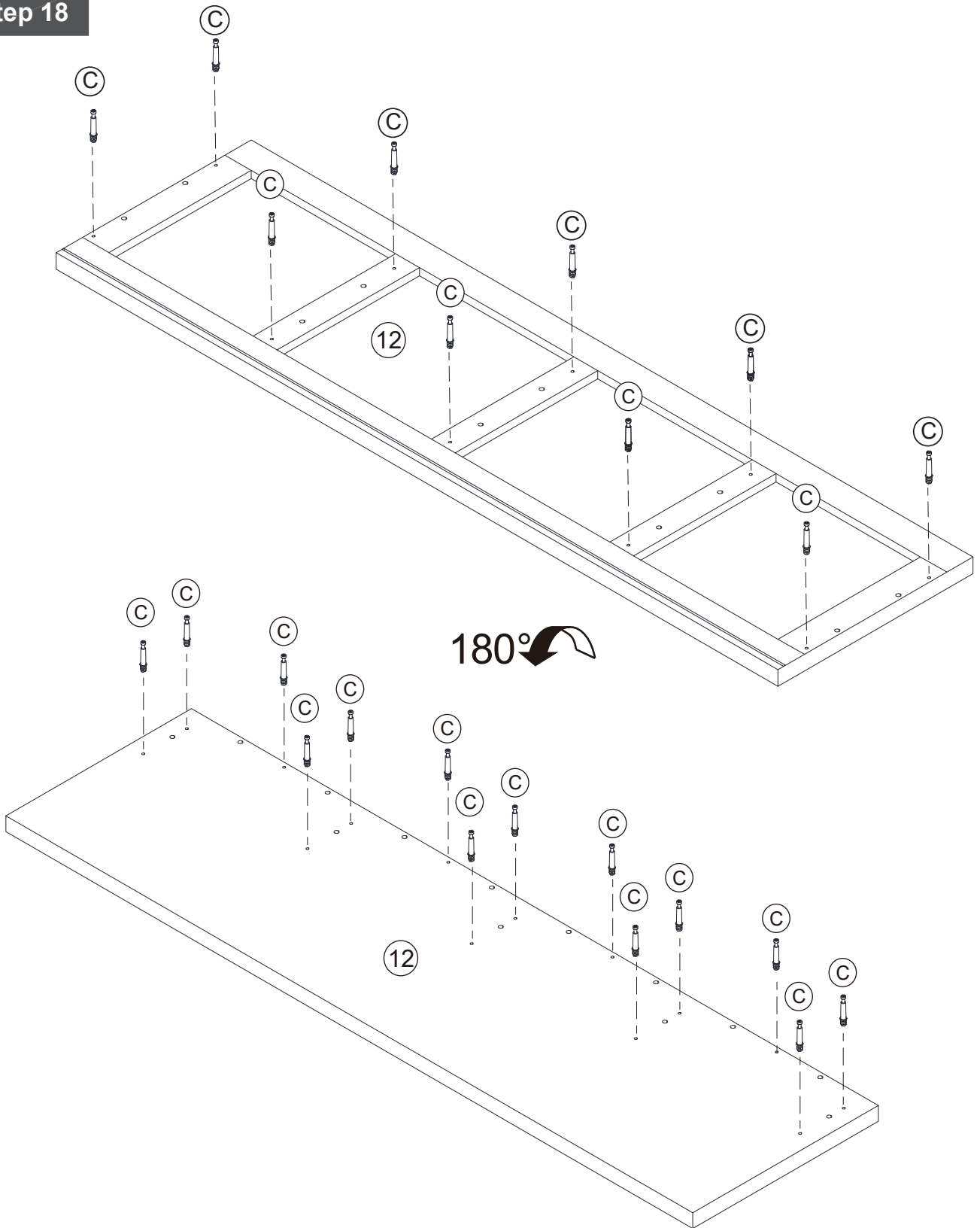
E



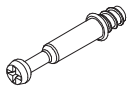
Cam lock x 10

Assembly Instructions

Step 18



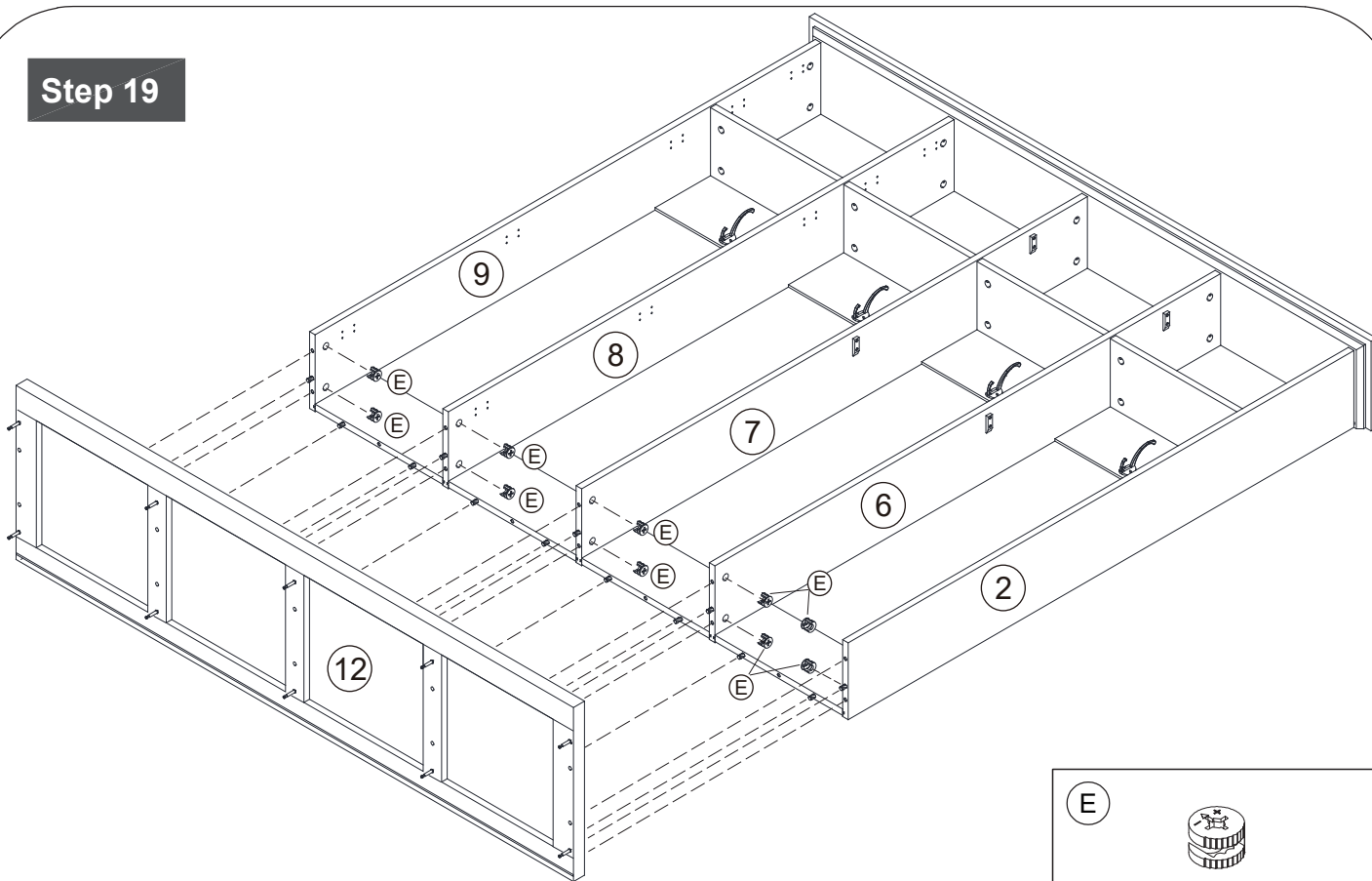
C




Cam Bolt x 24

Assembly Instructions

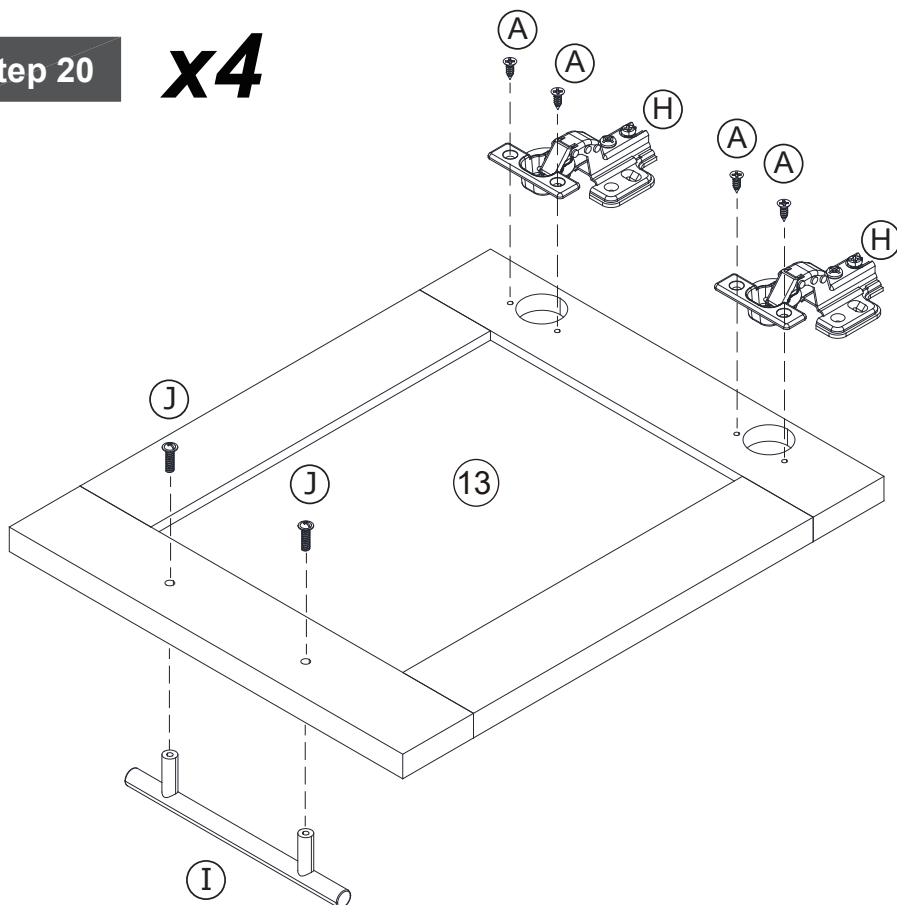
Step 19



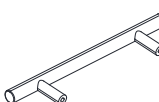



E	
Cam lock x 10	

Step 20

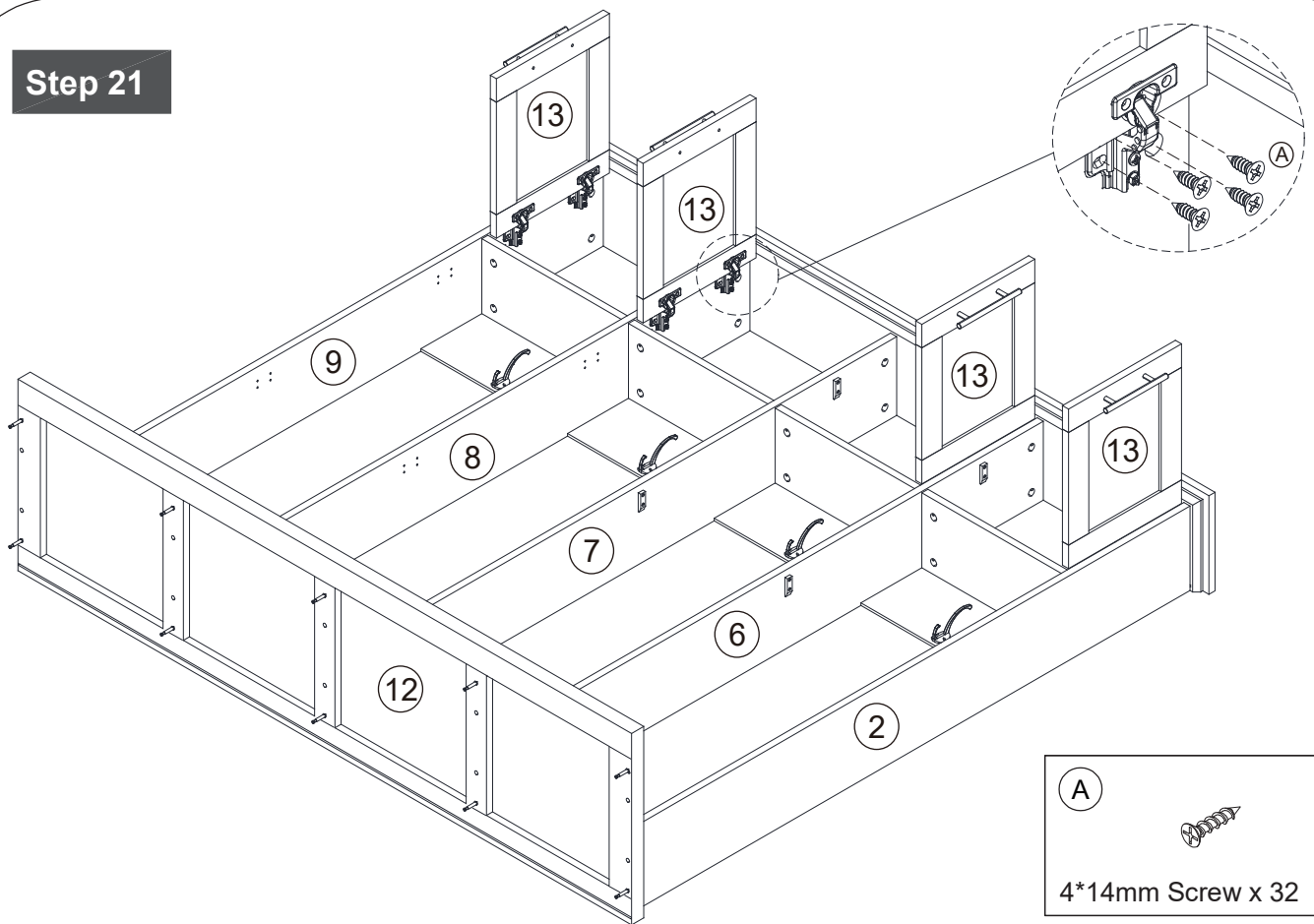
x4



A	
4*14mm Screw x 16	
H	
Hinge x 8	
I	
Handle x 4	
J	
4*20mm Screw x 8	

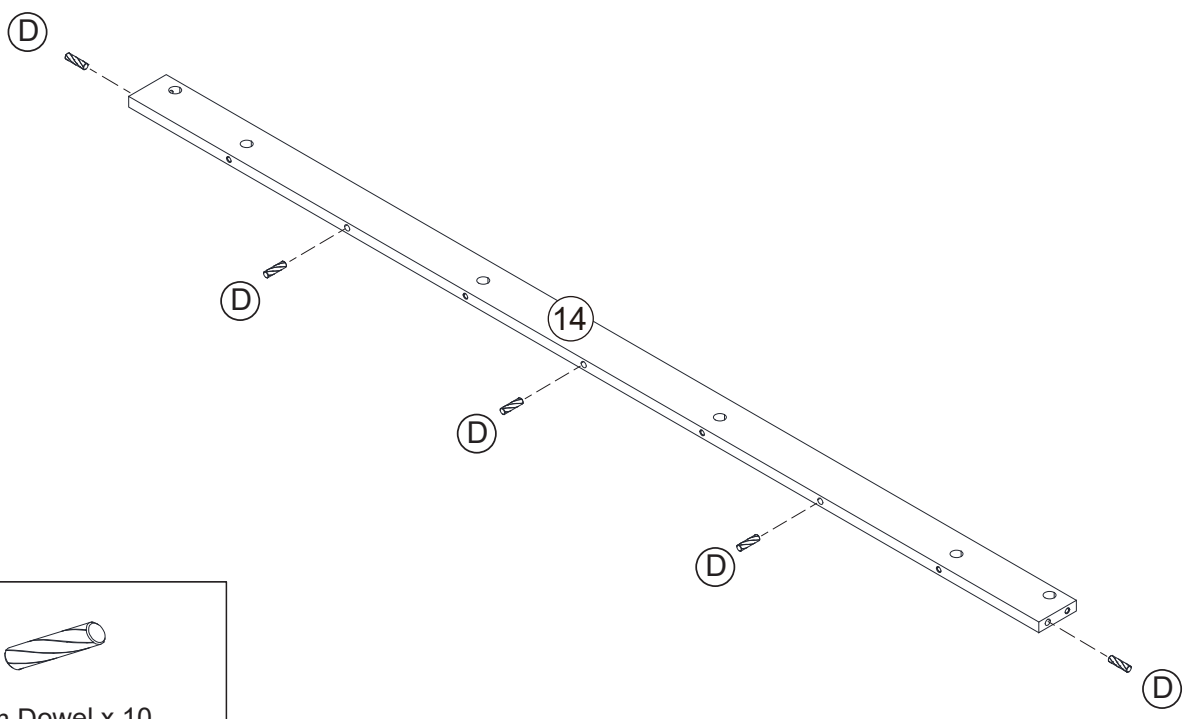
Assembly Instructions

Step 21



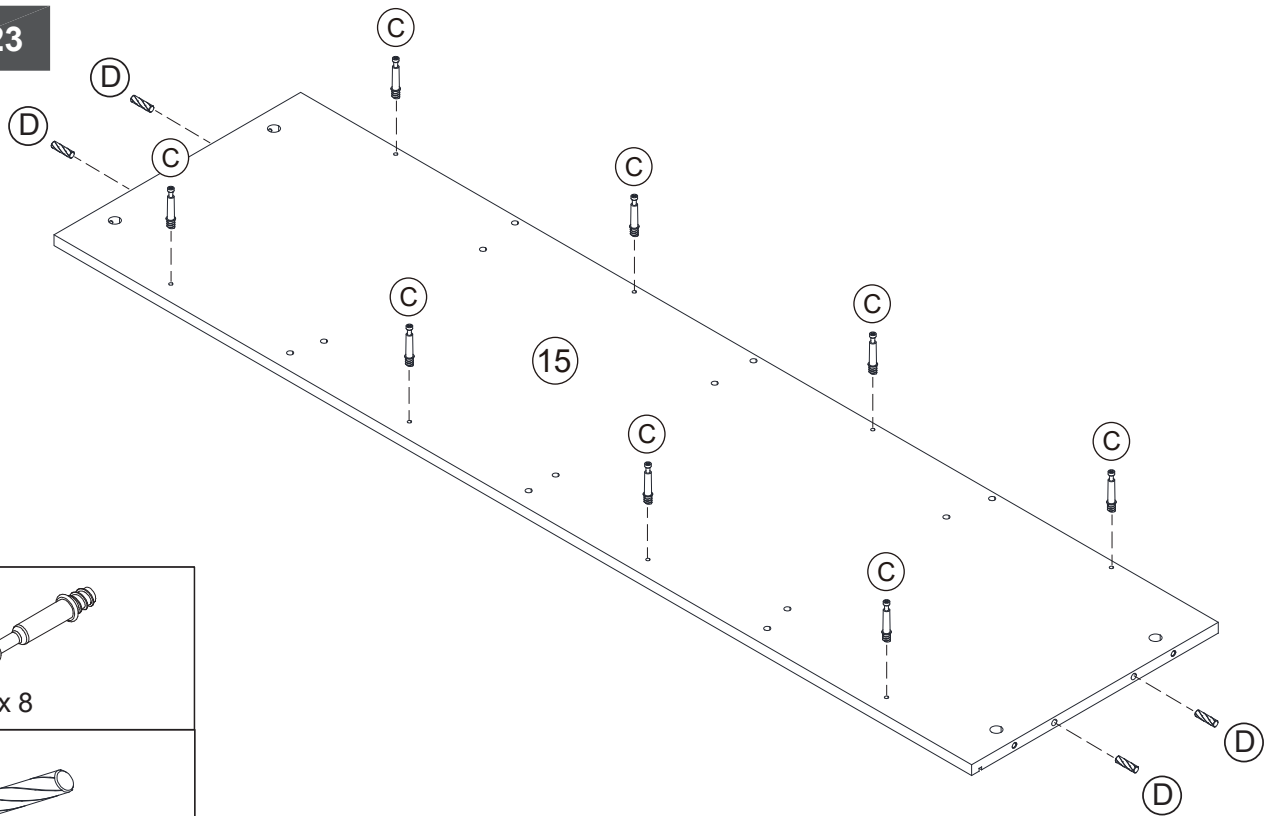
Step 22

x2

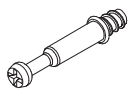


Assembly Instructions

Step 23



C



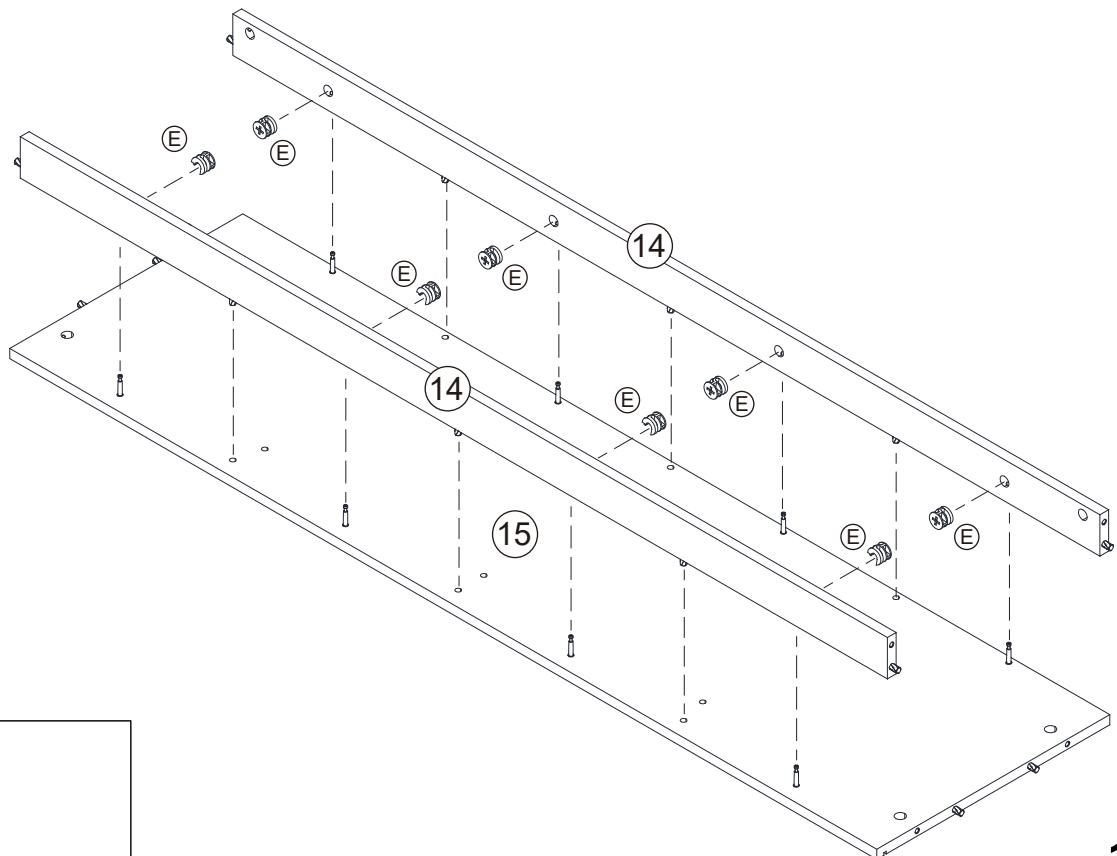
Cam Bolt x 8

D



8*30mm Dowel x 4

Step 24



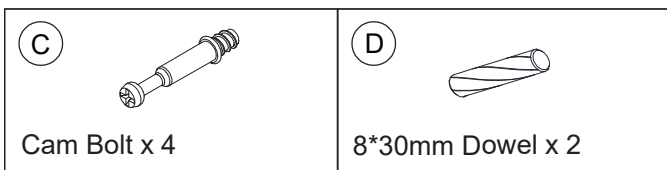
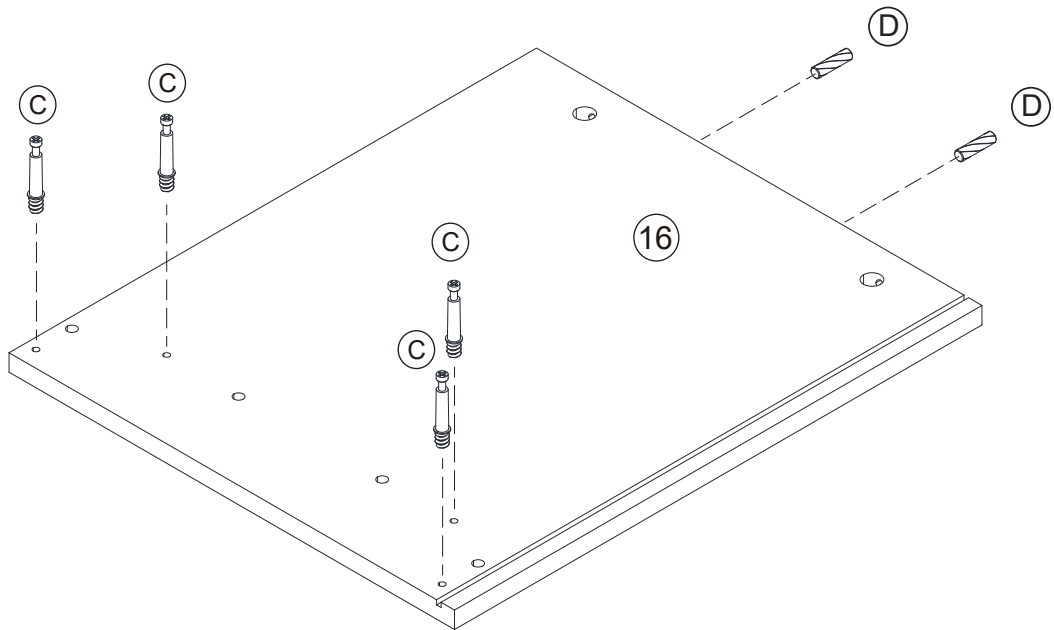
E



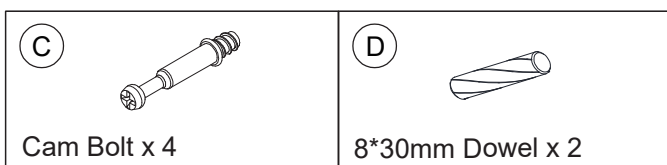
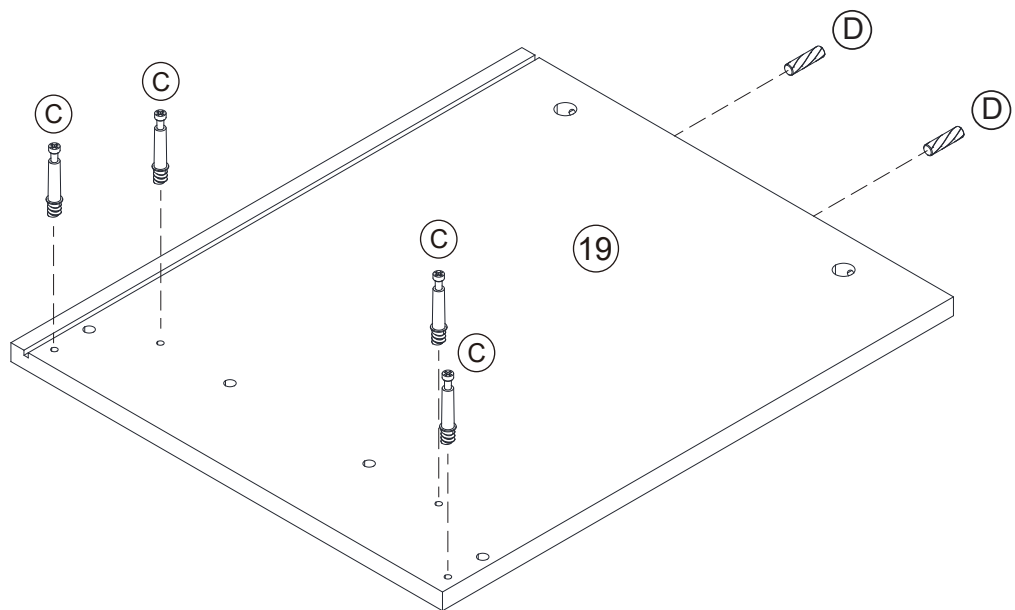
Cam lock x 8

Assembly Instructions

Step 25

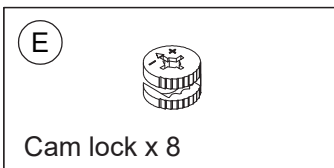
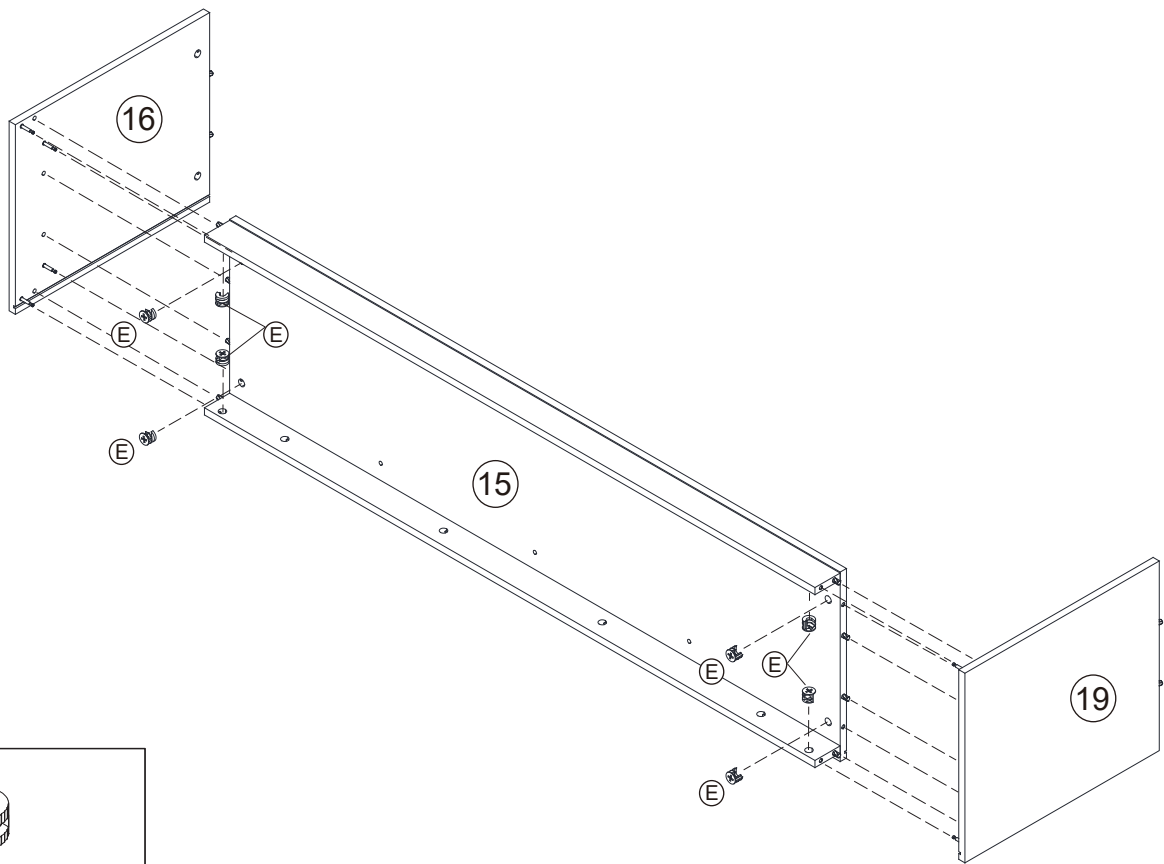


Step 26



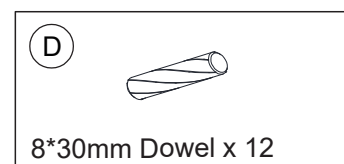
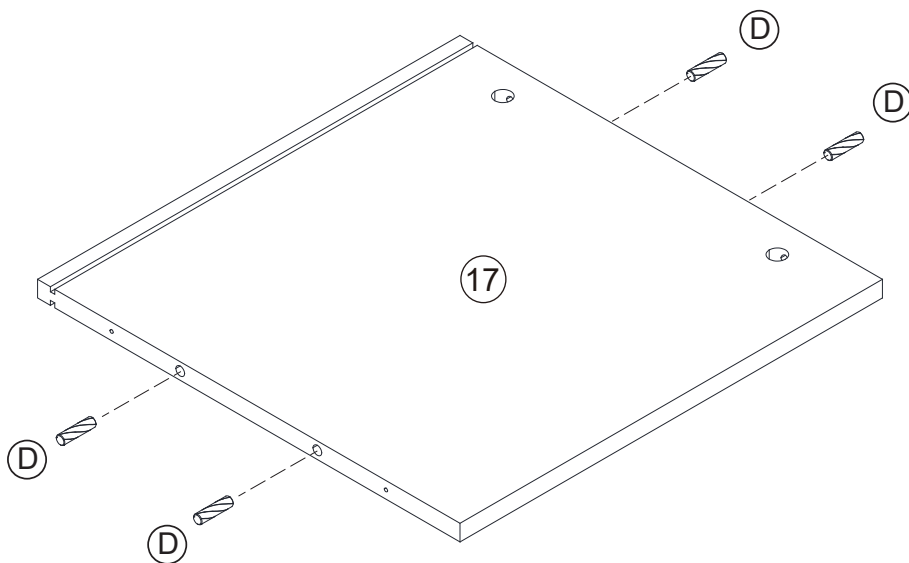
Assembly Instructions

Step 27



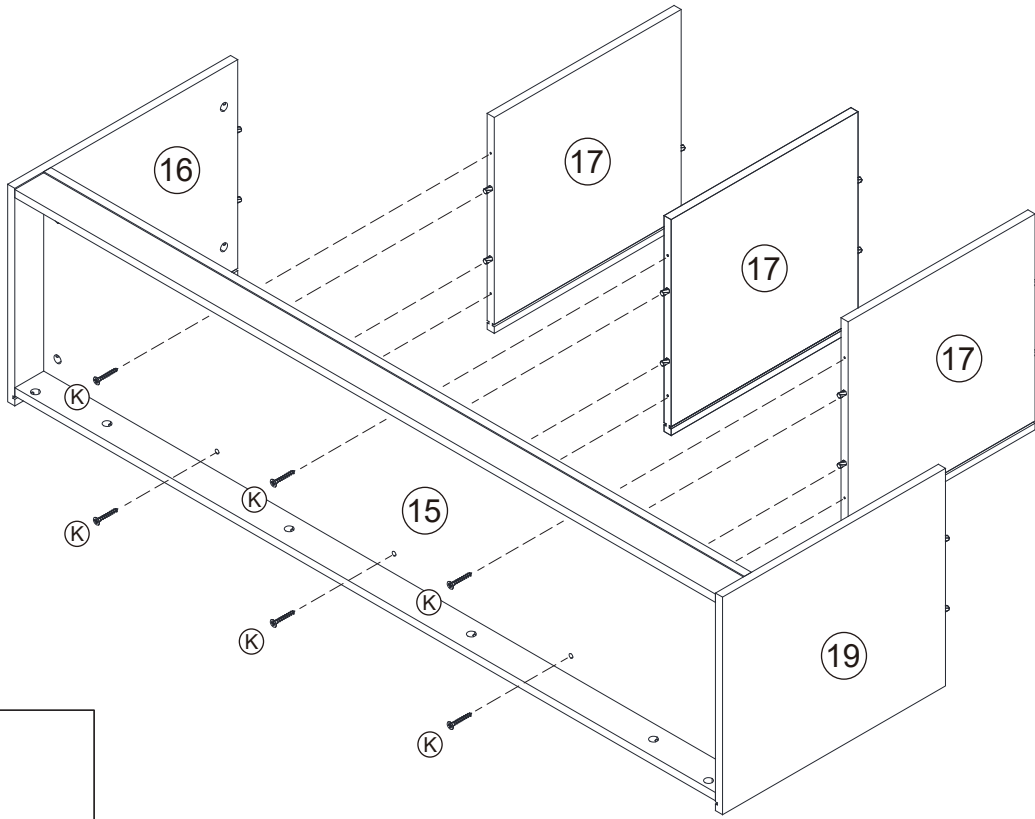
Step 28

x3



Assembly Instructions

Step 29

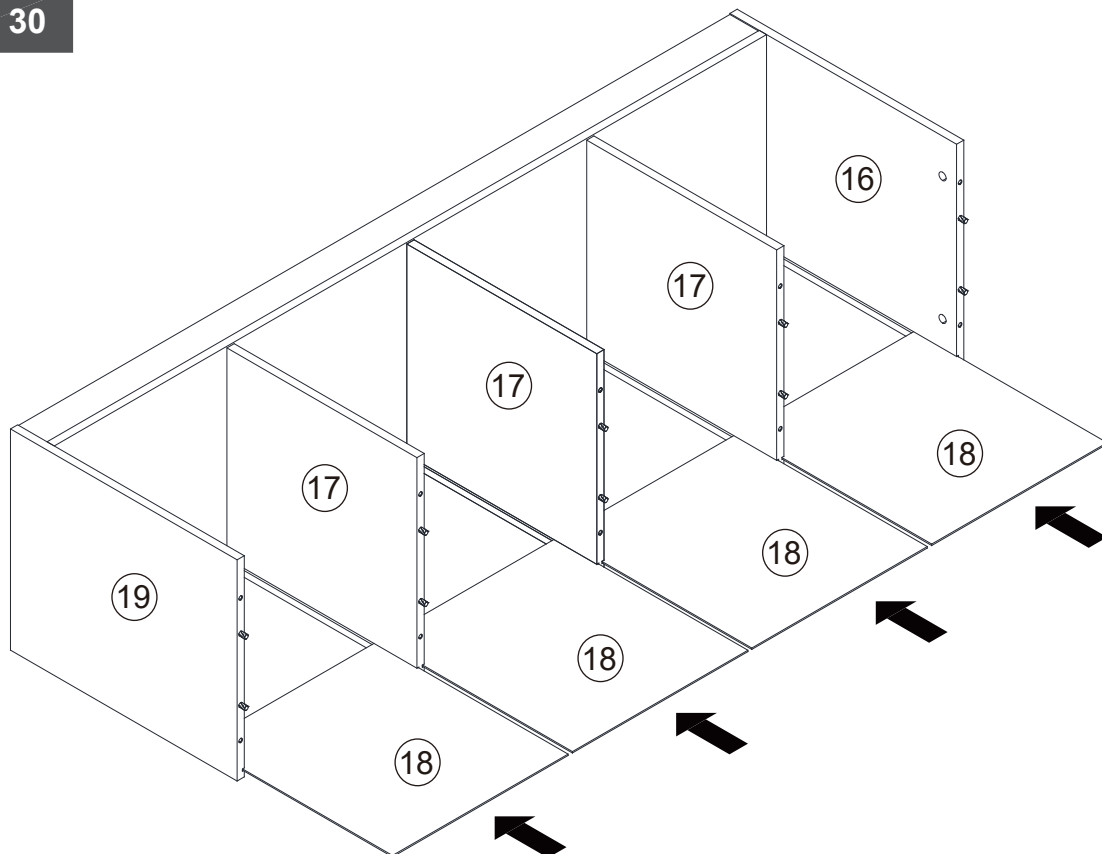


(K)



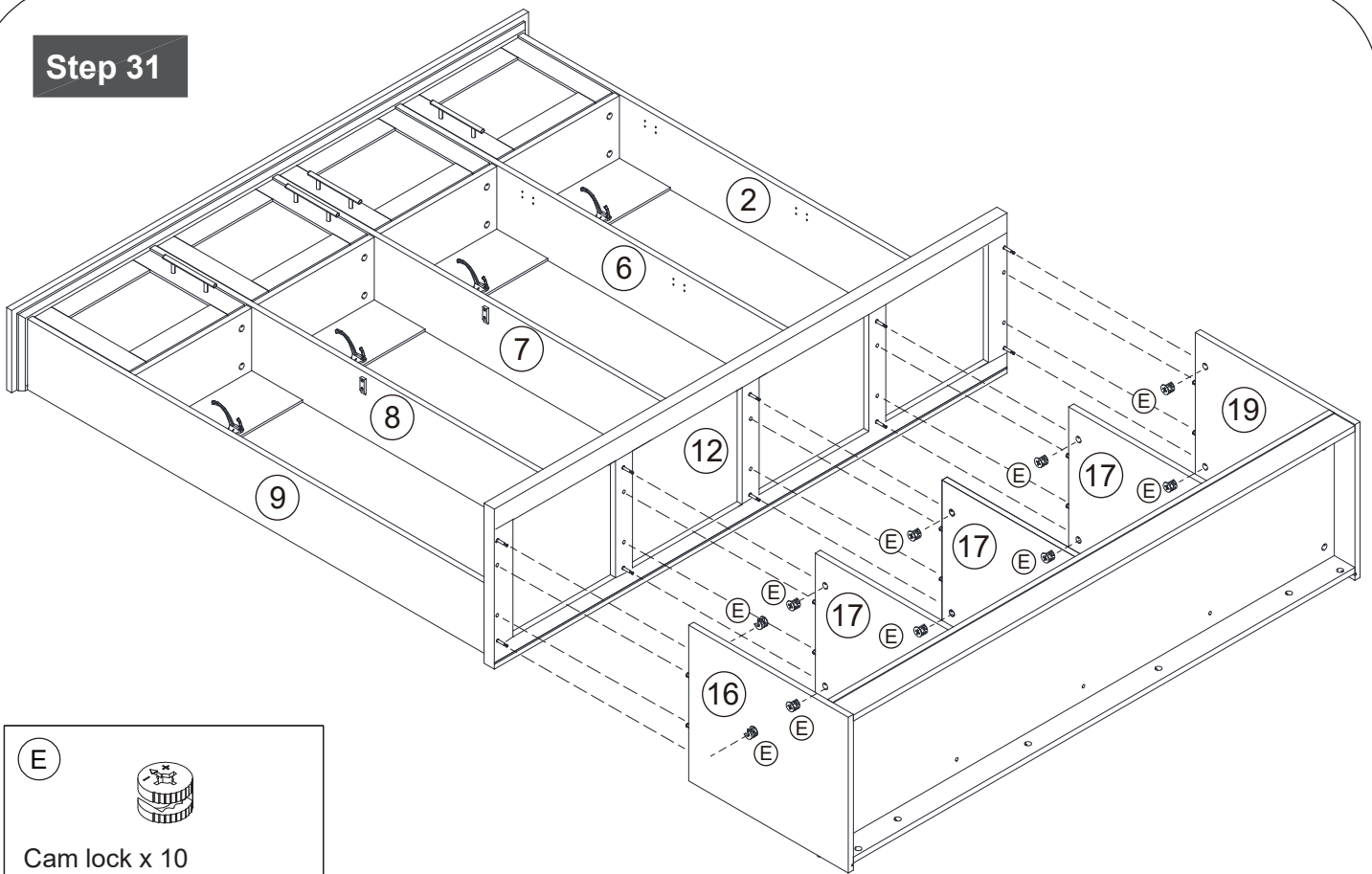
4*35mm Screw x 6

Step 30



Assembly Instructions

Step 31

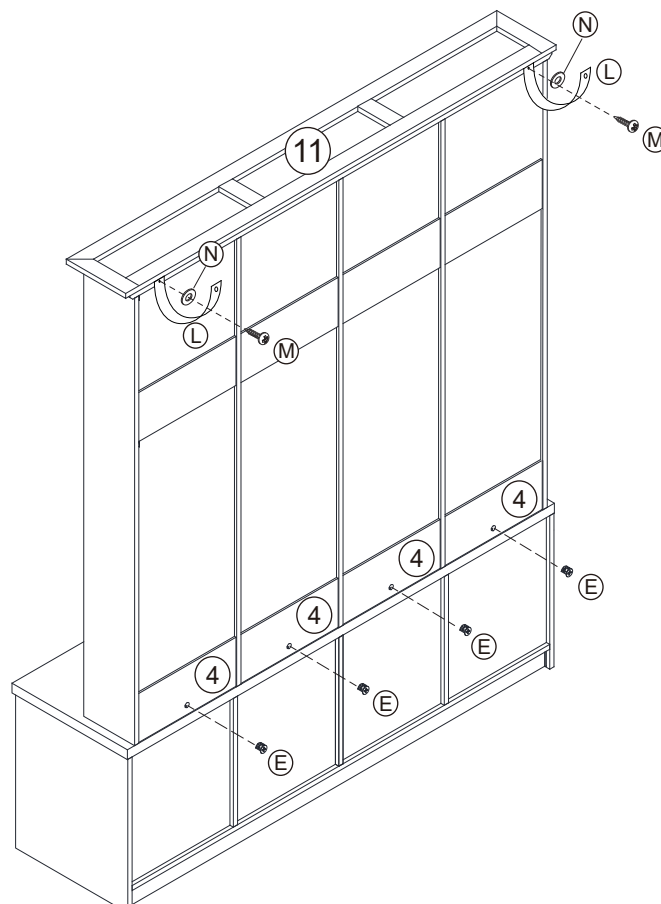
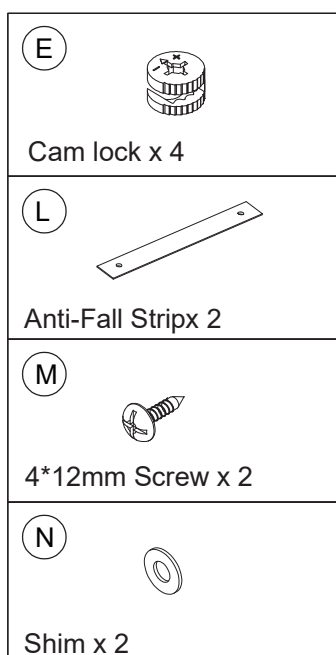


(E)



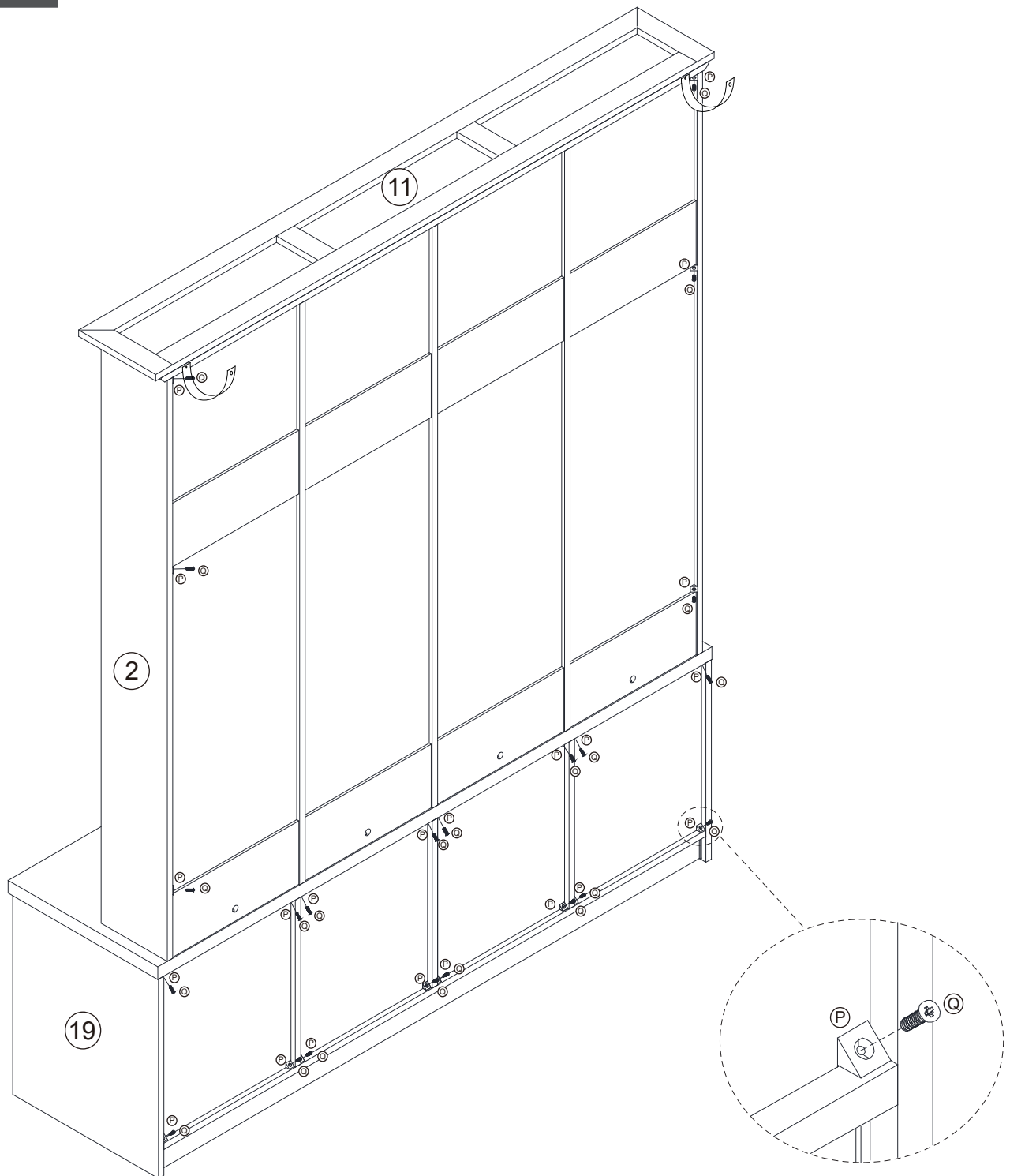
Cam lock x 10



Step 32



Assembly Instructions

Step 33

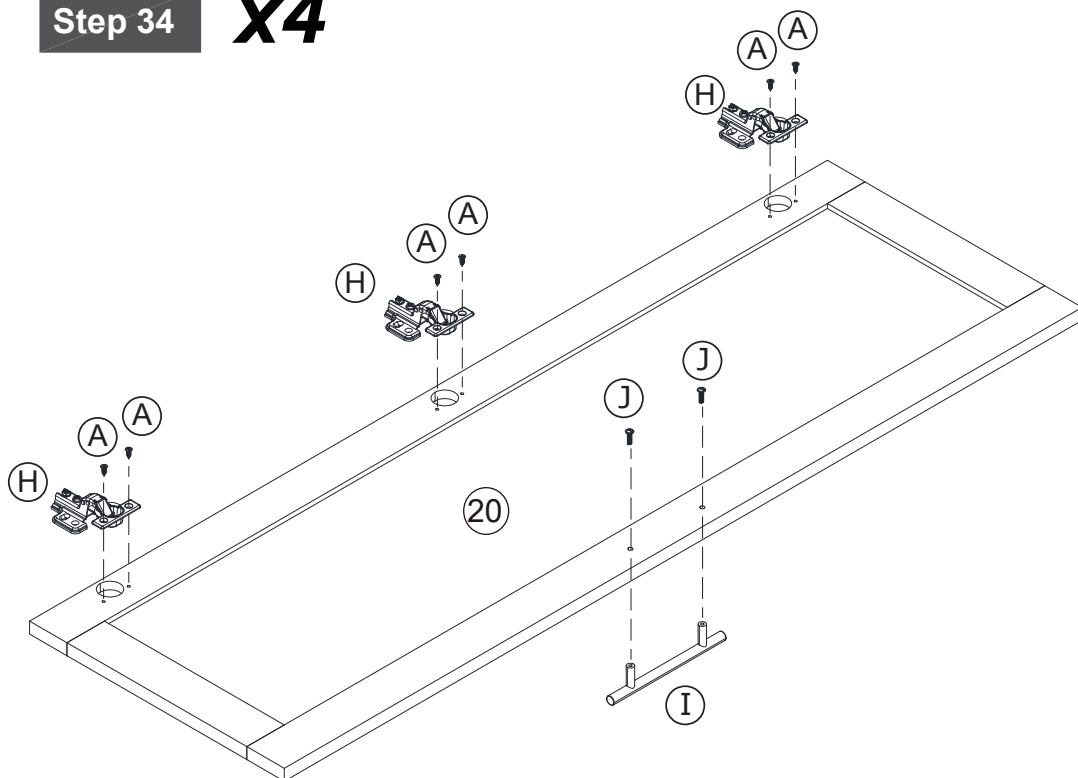


<p>(P)</p>  <p>Back Panel Buckle x 22</p>	<p>(Q)</p>  <p>3*16mm Screw x 22</p>
--	---

Assembly Instructions

Step 34

x4

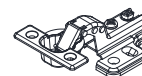


(A)



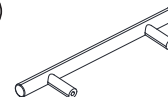
4*14mm Screw x 24

(H)



Hinge x 12

(I)



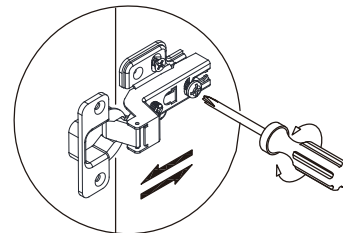
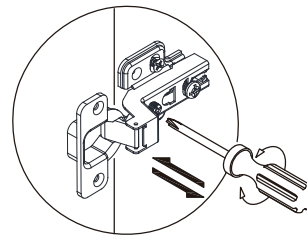
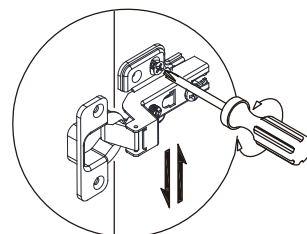
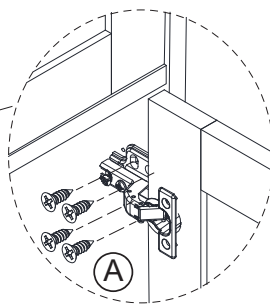
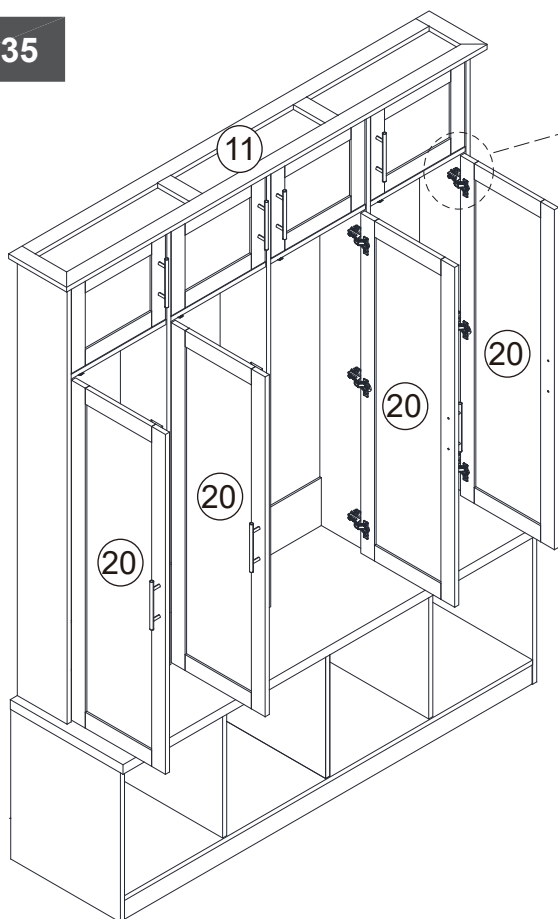
Handle x 4

(J)



4*20mm Screw x 8

Step 35



(A)



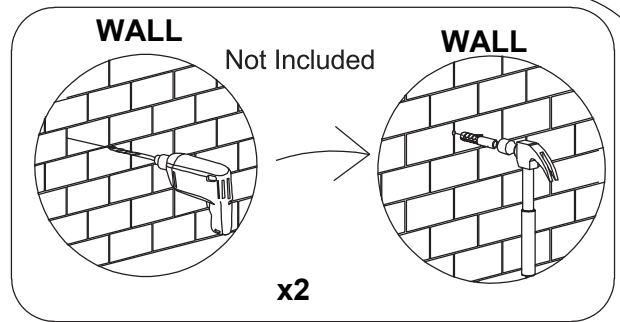
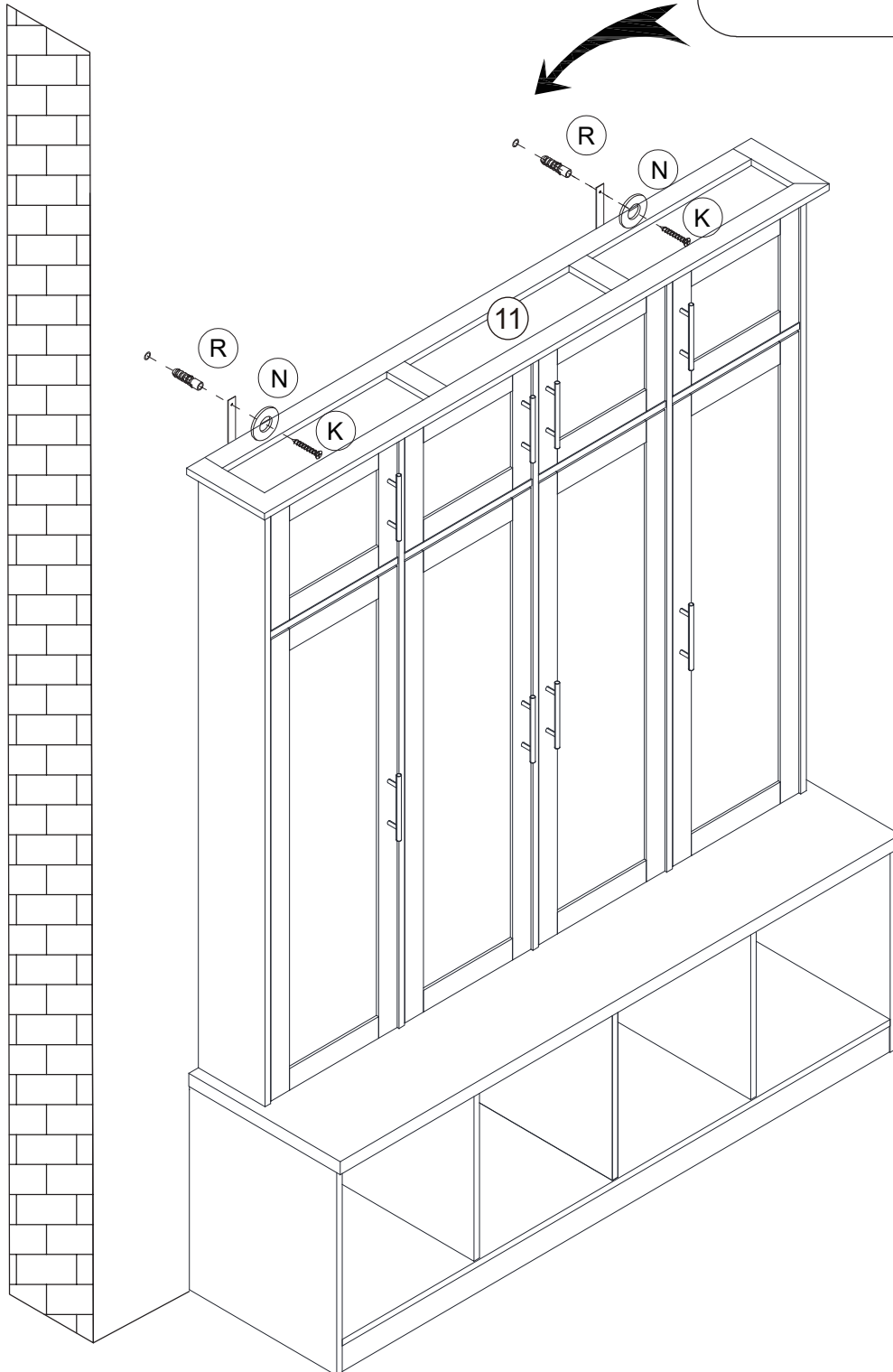
4*14mm Screw x 48


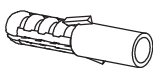

24

Assembly Instructions

Step 36

WALL



(K)	
	4*35mm Screw x 2
(R)	
	Plastic expansion x 2
(N)	
	Shim x 2

Assembly Instructions

Finish

