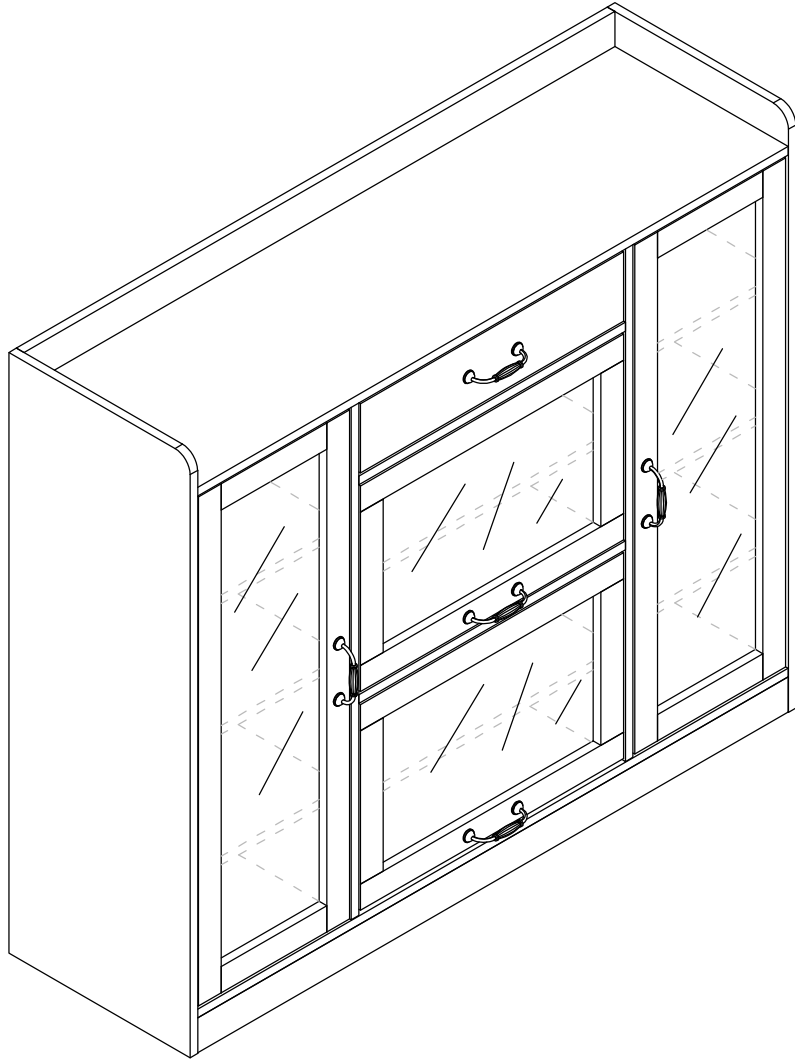


Shoe Cabinet

Assembly Instructions - Please keep for future reference



Dimensions

Width-47.24inch

Depth-14.17inch

Height-40.55inch

Important – Please read these instructions fully before starting assembly



Safety and Care Advice

Important – Please read these instructions fully before starting assembly

- Check you have all the components and tools listed on the following pages.
- Remove all fittings from the plastic bags and separate them into their groups.
- Keep children and animals away from the work area, small parts could choke if swallowed.
- Make sure you have enough space to layout the parts before starting.

- During assembly do not stand or put weight on the product, this could cause damage.
- Assemble the item as close to its final position (in the same room) as possible.
- Assemble on a soft level surface to avoid damaging the unit or your floor.
- Parts of the assembly will be easier with 2 people.



power drill is set on a low torque setting.

- To reduce the likelihood of damaging your product please ensure that your

Care and maintenance

- Only clean using a damp cloth and mild detergent, do not use bleach or abrasive cleaners.

- From time to time check that there are no loose screws on this unit.

- This product should not be discarded with household waste. Take to your local authority waste disposal centre.

Handy Hints

- Assemble all parts and bolts loosely during assembly, only once the product is complete should you fully tighten the bolts

- Regularly check and ensure That all bolts and fittings are tightend properly.

WARNING
In order to help prevent overturning –
please follow these instructions


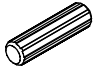

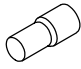

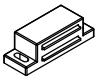




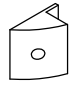

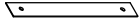

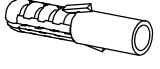
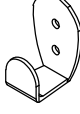
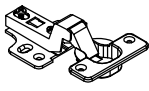
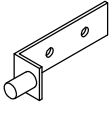




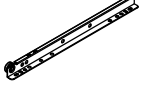
To help prevent product toppling over please follow the below steps:-

- Use the anti tip stap or wall fixing method provided (if applicable)
- Do not allow children to climb or hang on the furniture
- Do not open more than one drawer at a time
- Do not place heavy items in the top drawers
- Do not place heavy items on top of the furniture, unless the furniture has been designed for this purpose

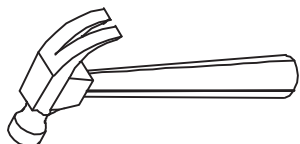
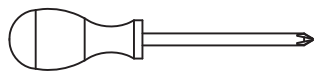
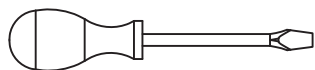
Components - Fittings

Please check you have all the panels listed below

Note: The quantities below are the correct amount to complete the assembly. In some cases more fittings may be supplied than are required.

<p>(A) </p> <p>Cam Bolt x 41</p>	<p>(B) </p> <p>Cam lock x 41</p>	<p>(C) </p> <p>6*30mm Dowel x 34</p>	<p>(D) </p> <p>4*35mm Screw x 11</p>
<p>(E) </p> <p>Lamina Torus x 32</p>	<p>(F) </p> <p>3*12mm Screw x 24</p>	<p>(G) </p> <p>6*10mm Cup head screw x 4</p>	<p>(H) </p> <p>Magnetic Collision x 2</p>
<p>(I) </p> <p>3.5*14mm Screw x 4</p>	<p>(J) </p> <p>Single Hole Iron Sheet x 2</p>	<p>(K) </p> <p>Shim x 4</p>	<p>(L) </p> <p>4*20mm Screw x 10</p>
<p>(M) </p> <p>Handle x 5</p>	<p>(N) </p> <p>Back Panel Buckle x 20</p>	<p>(O) </p> <p>3*16mm Screw x 20</p>	<p>(P) </p> <p>Anti-Fall Strip x 2</p>
<p>(Q) </p> <p>4*12mm Screw x 2</p>	<p>(R) </p> <p>Plastic expansion x 2</p>	<p>(S) </p> <p>Couple x 3</p>	<p>(T) </p> <p>4*12mm Screw x 24</p>
<p>(U) </p> <p>Hinge x 4</p>	<p>(V) </p> <p>Rotation Shaft x 4</p>	<p>(W) </p> <p>Allen key x 1</p>	<p>(CL) </p> <p>300mm runner x 1</p>
<p>(CR) </p> <p>300mm runner x 1</p>	<p>(DL) </p> <p>300mm runner x 1</p>	<p>(DR) </p> <p>300mm runner x 1</p>	

Tools required



Phillips screwdriver
(medium & large)

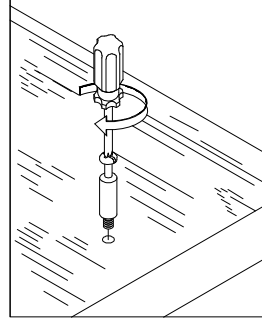
Using Camlocks

Step 1

Connect the male camlock as directed in the assembly instructions using a screwdriver.

1

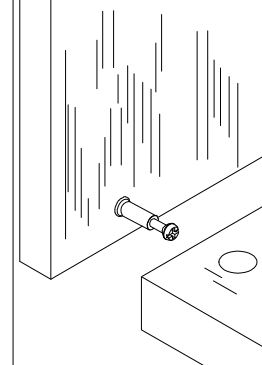
DO NOT OVER TIGHTEN.
NE PAS SERRER EXCESSIVEMENT.



Step 2

Push the male camlock into the entry hole.

2

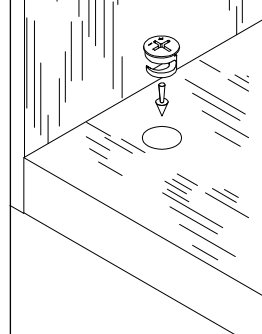


Step 3

Insert the female camlock as shown in the instruction.

Note: ensure that the arrow on the top of the camlock points towards the entry hole for the male camlock.

3



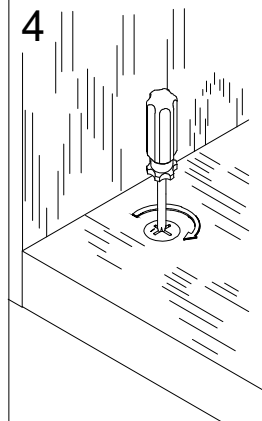
Step 4

Turn the female camlock clockwise with a screwdriver.

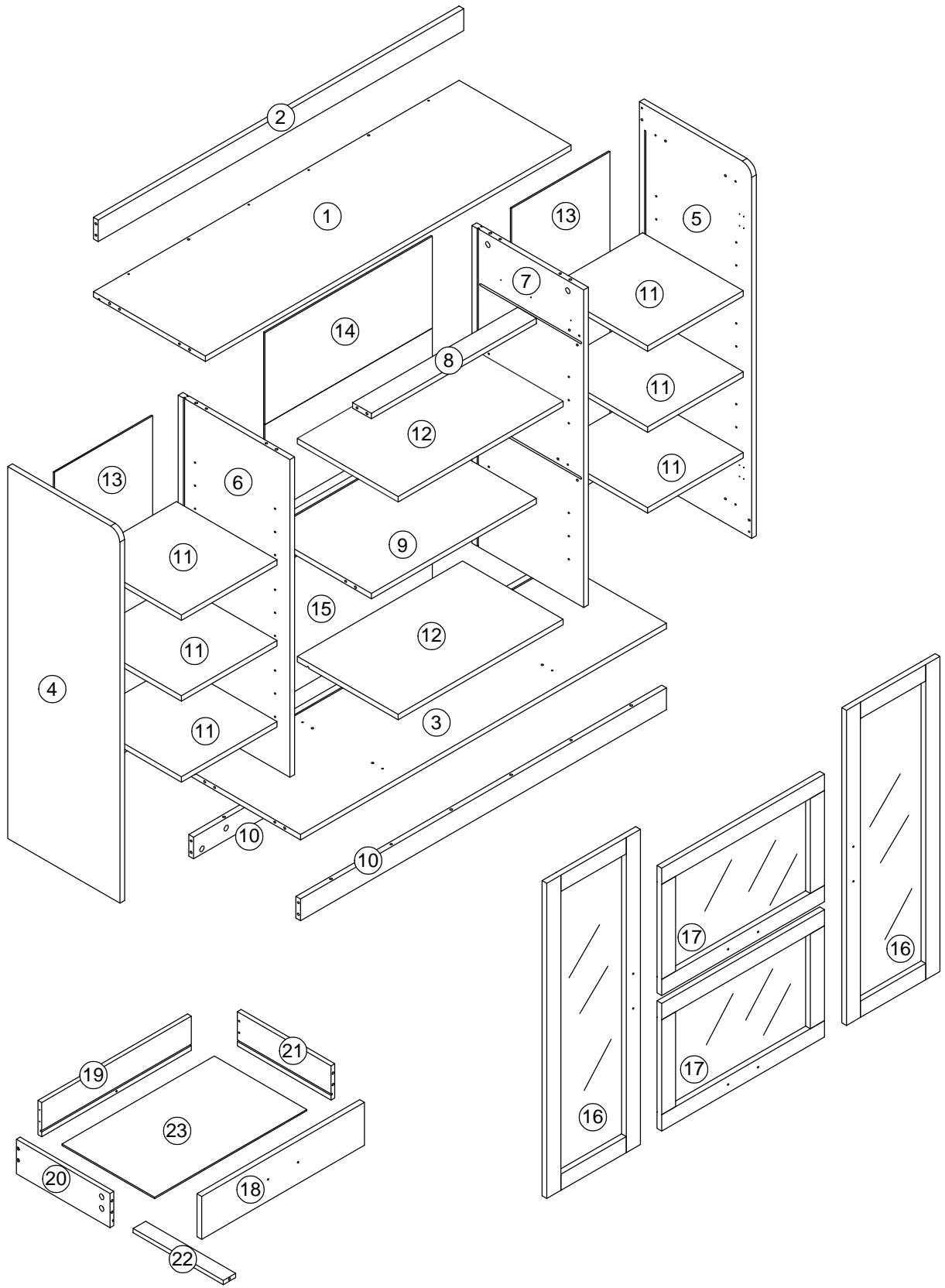
You should feel a click when the camlock is locked in place.

The joint is now secure.

4

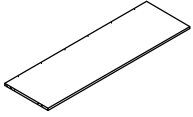


Assembly Instructions



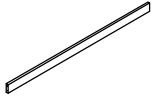
Assembly Instructions

① X1



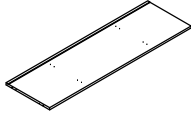
1170x358x15

② X1



1170x59x15

③ X1



1170x358x15

④ X1



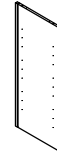
1030x359x15

⑤ X1



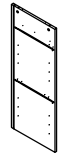
1030x359x15

⑥ X1



880x357x15

⑦ X1



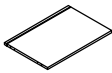
880x357x15

⑧ X1



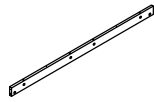
528x60x15

⑨ X1



528x356x15

⑩ X2



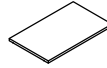
1170x59x15

⑪ X6



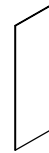
305x325x15

⑫ X2



527x325x15

⑬ X2

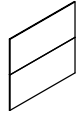


⑳ X1



300x95x12

⑭ X1

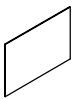


㉑ X1



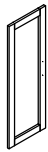
300x95x12

⑮ X1



287x40x12

⑯ X2



873x299x15

⑰ X2



521x353x15

⑱ X1



521x119x15

⑲ X1



479x95x12

㉒ X1

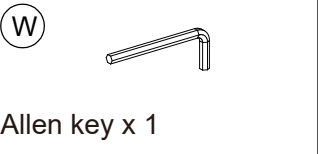
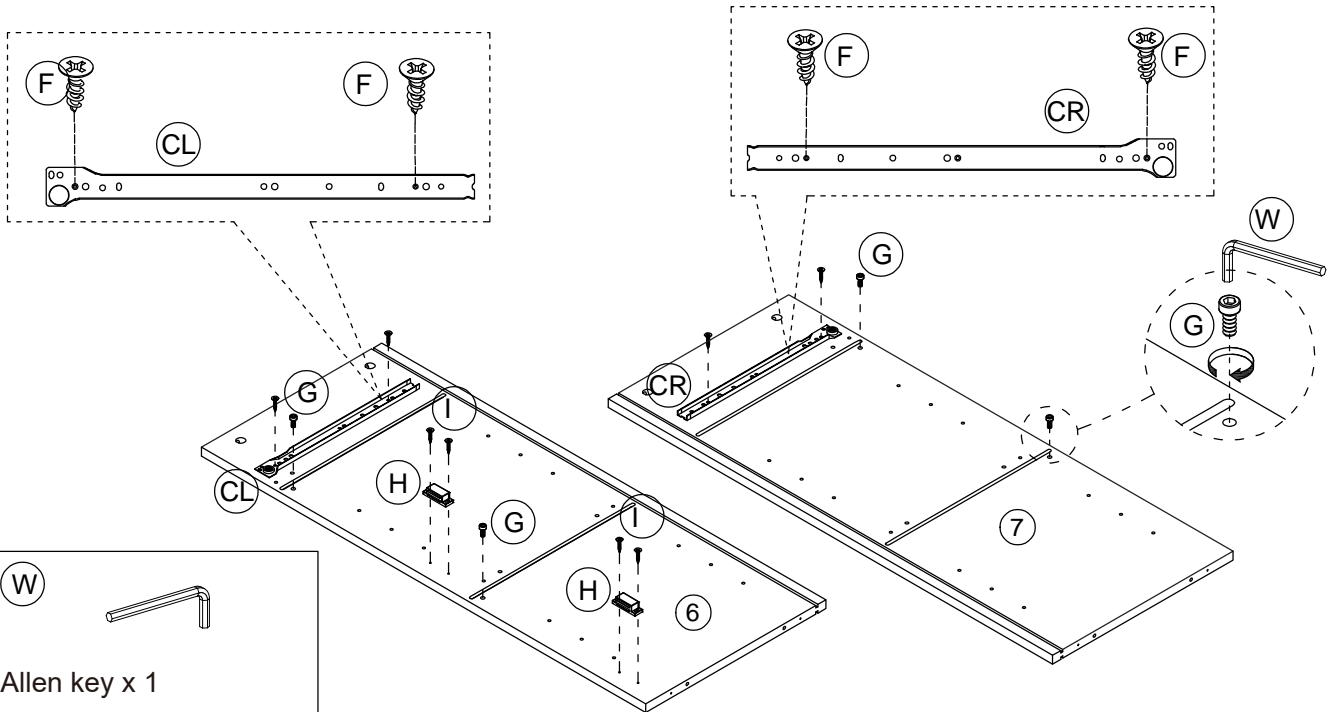


㉓ X1

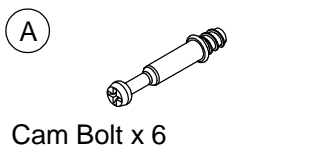
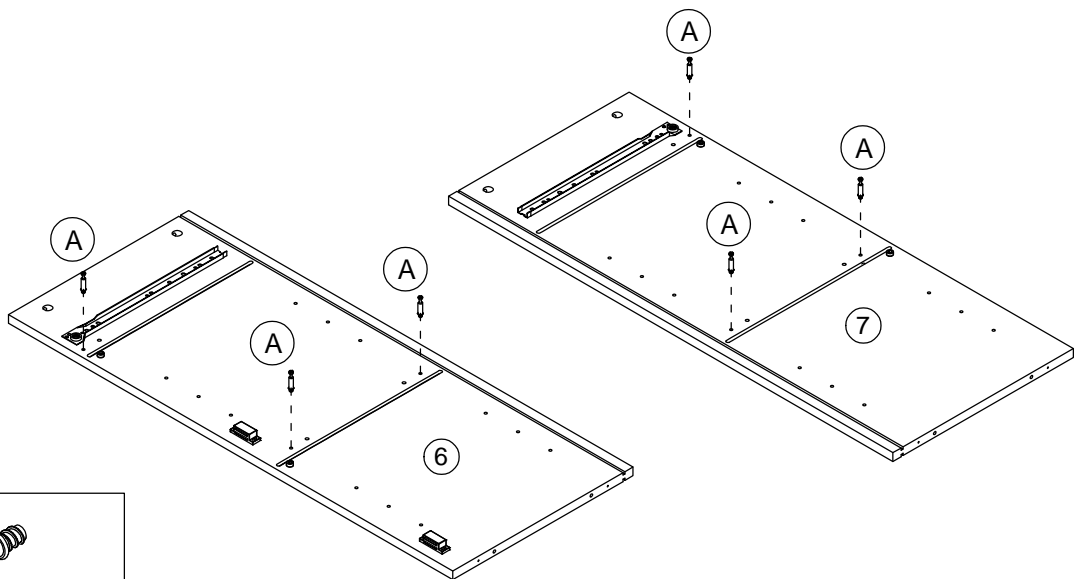


Assembly Instructions

Step 1

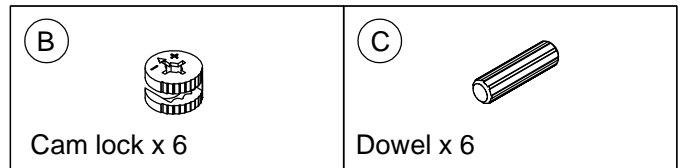
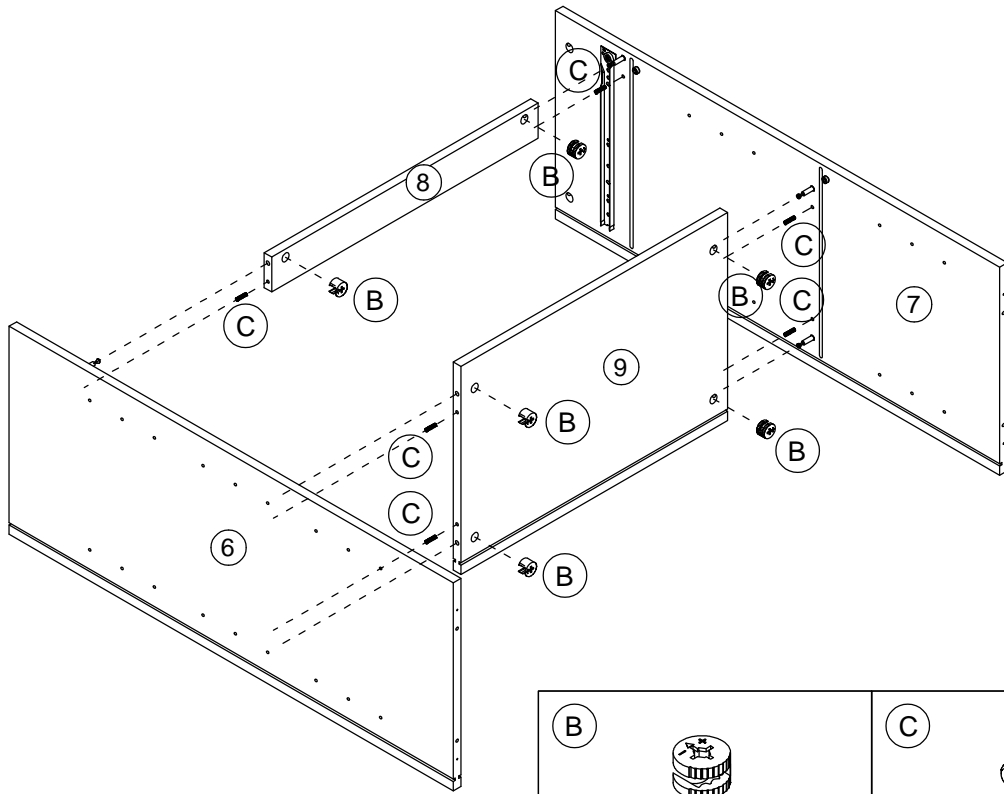


Step 2

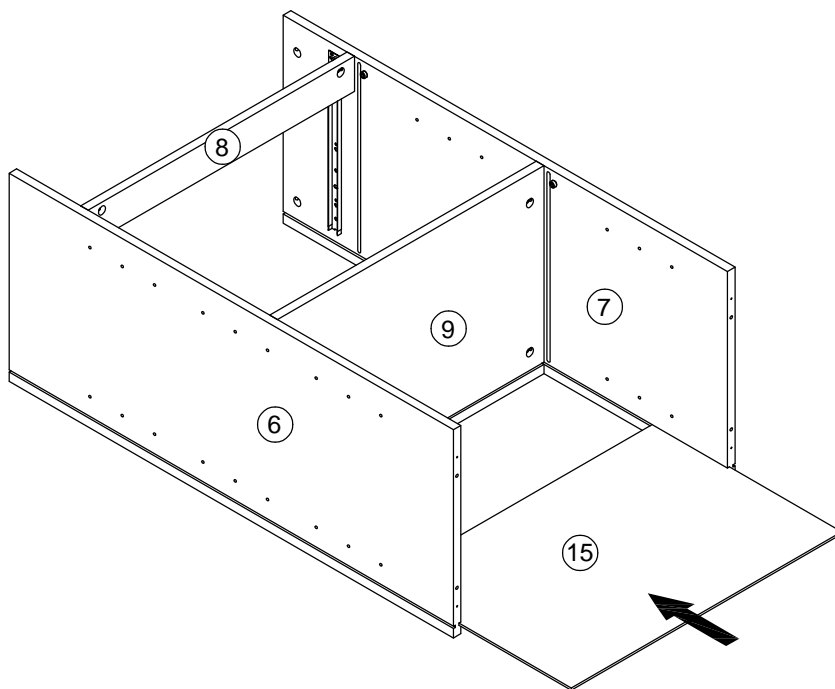


Assembly Instructions

Step 3

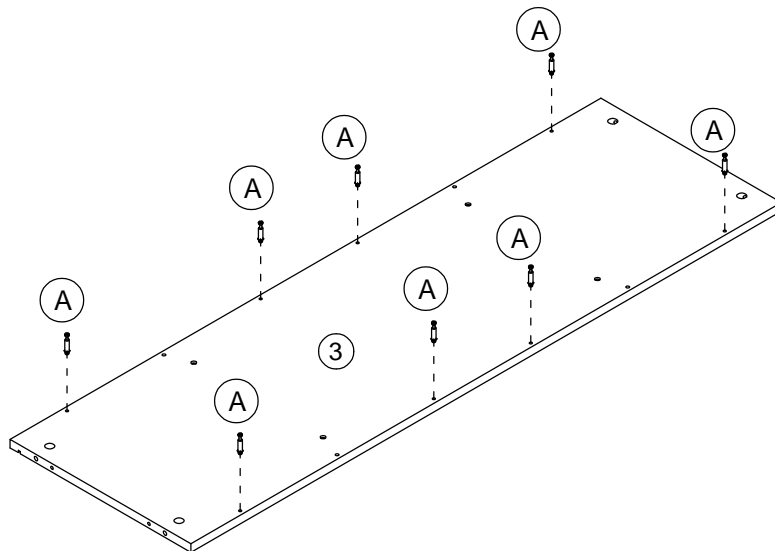


Step 4

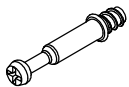


Assembly Instructions

Step 5

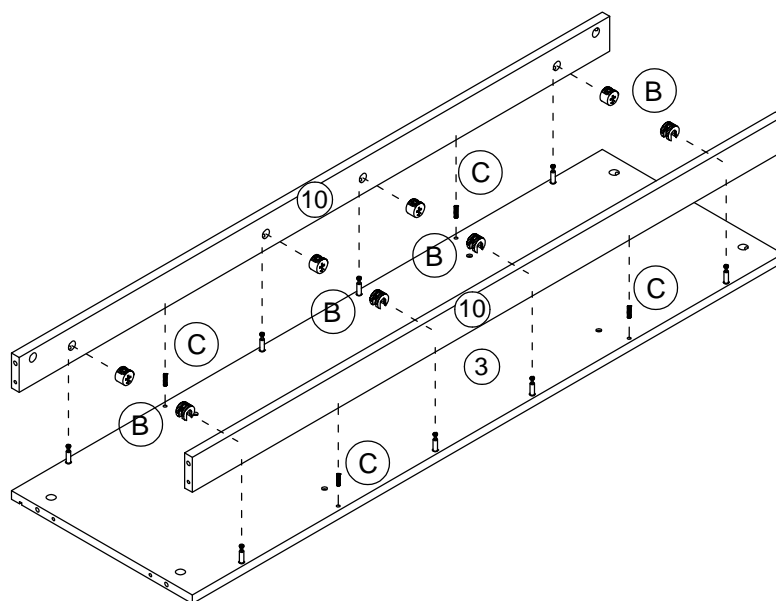


A



Cam Bolt x 8

Step 6



B



Cam lock x 8

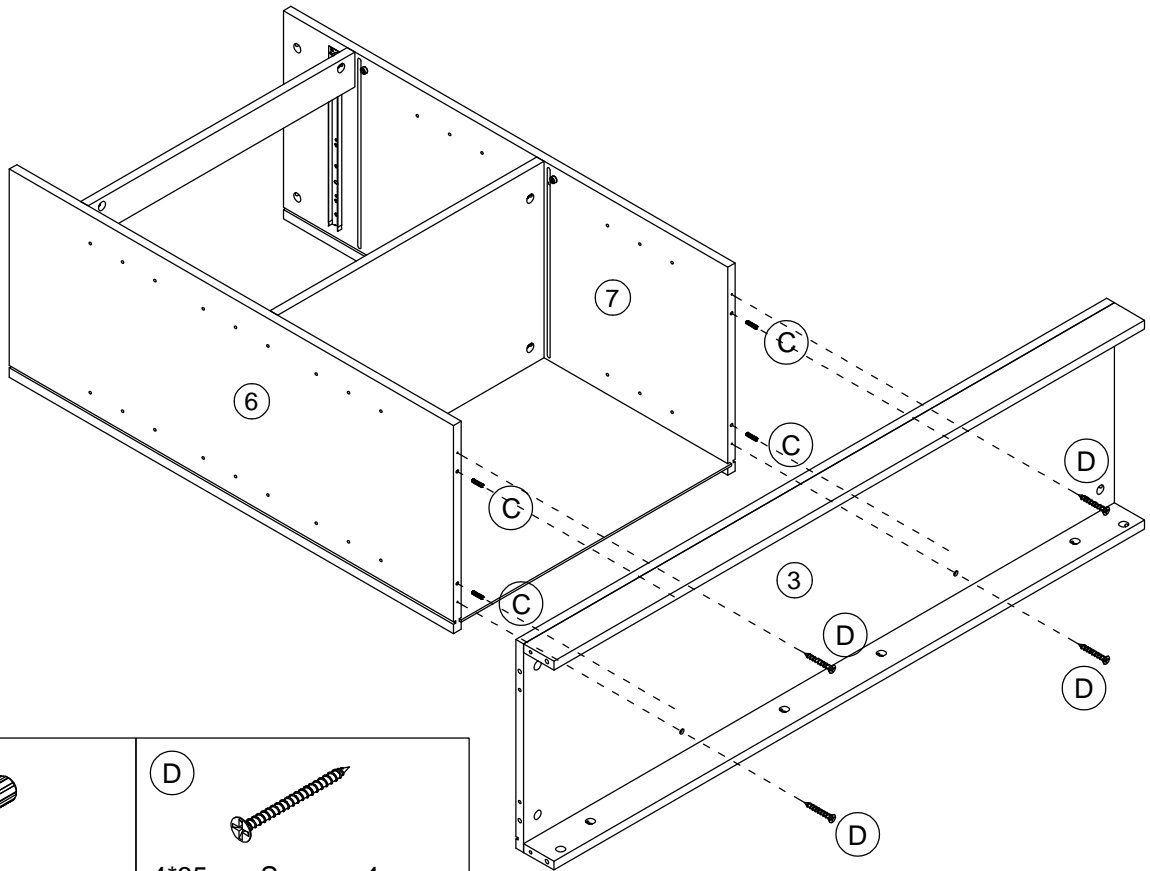
C



Dowel x 4

Assembly Instructions

Step 7



C



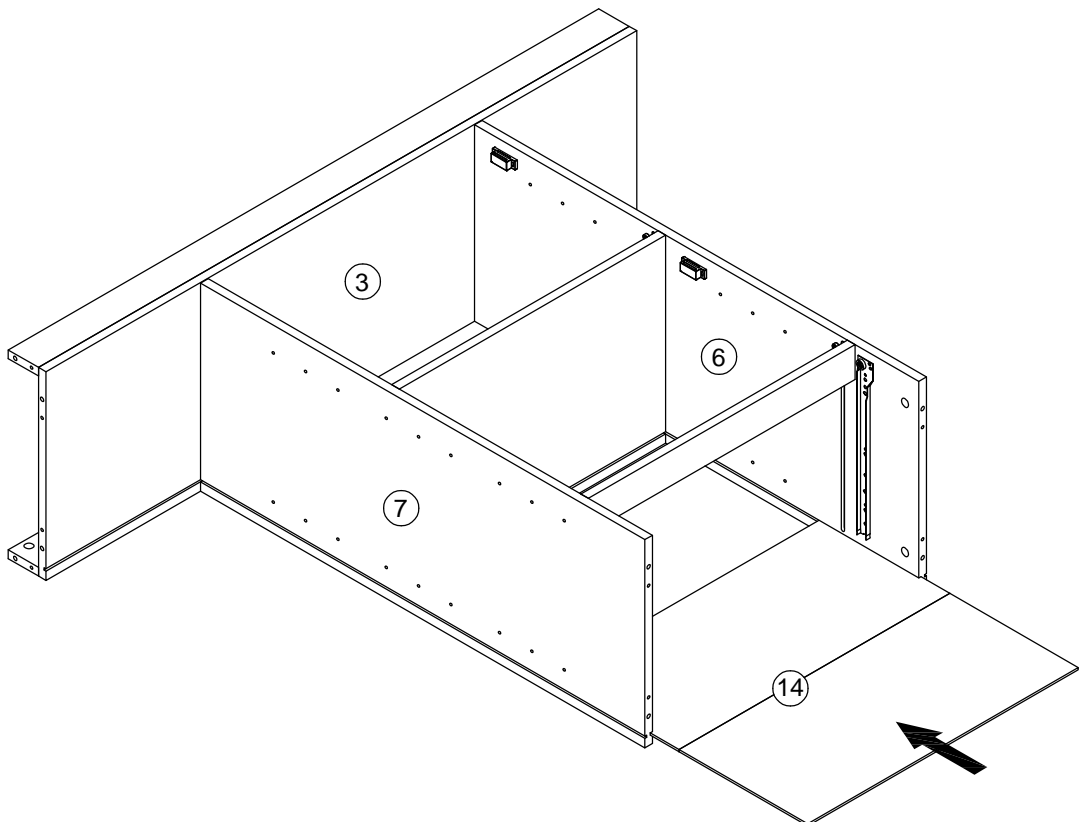
Dowel x 4

D



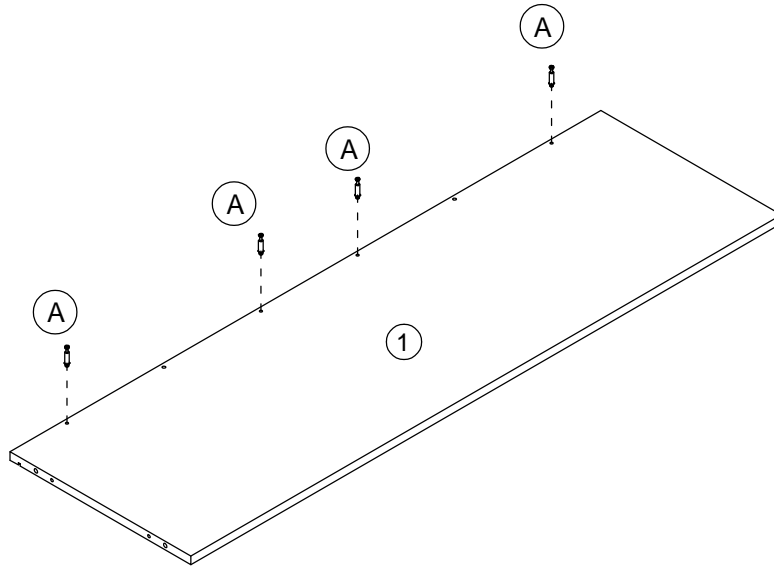
4*35mm Screw x 4

Step 8

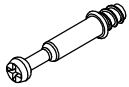


Assembly Instructions

Step 9

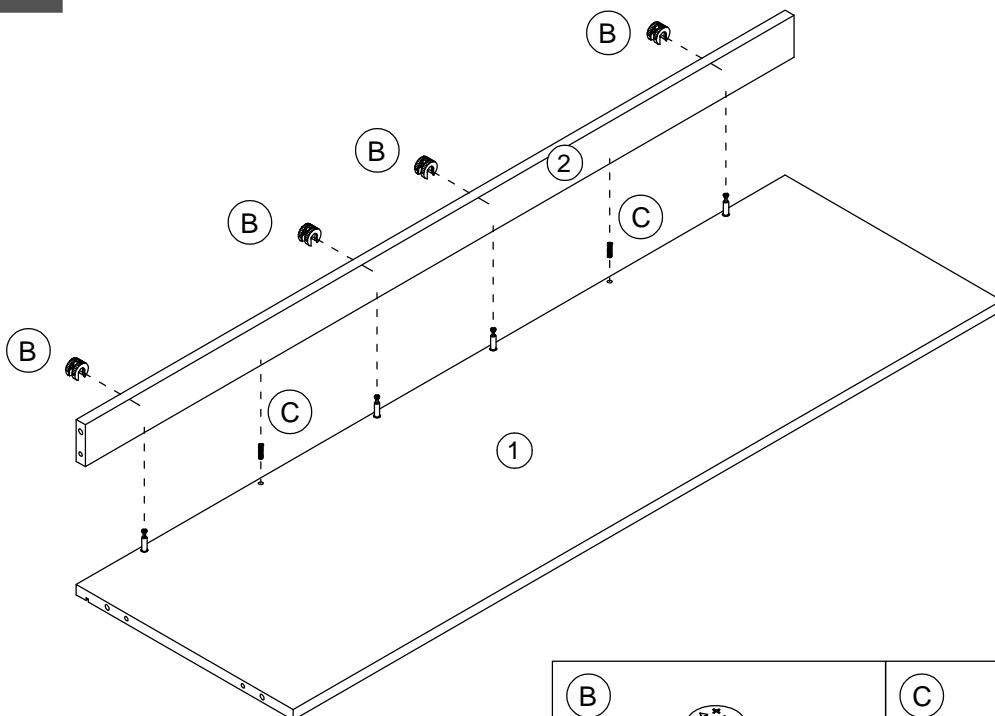


A



Cam Bolt x 4

Step 10



B



Cam lock x 4

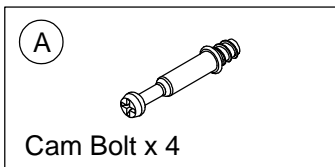
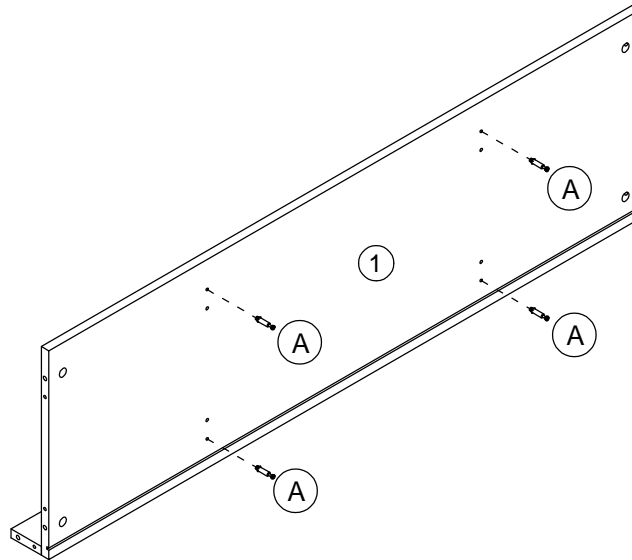
C



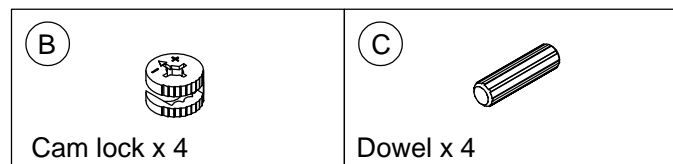
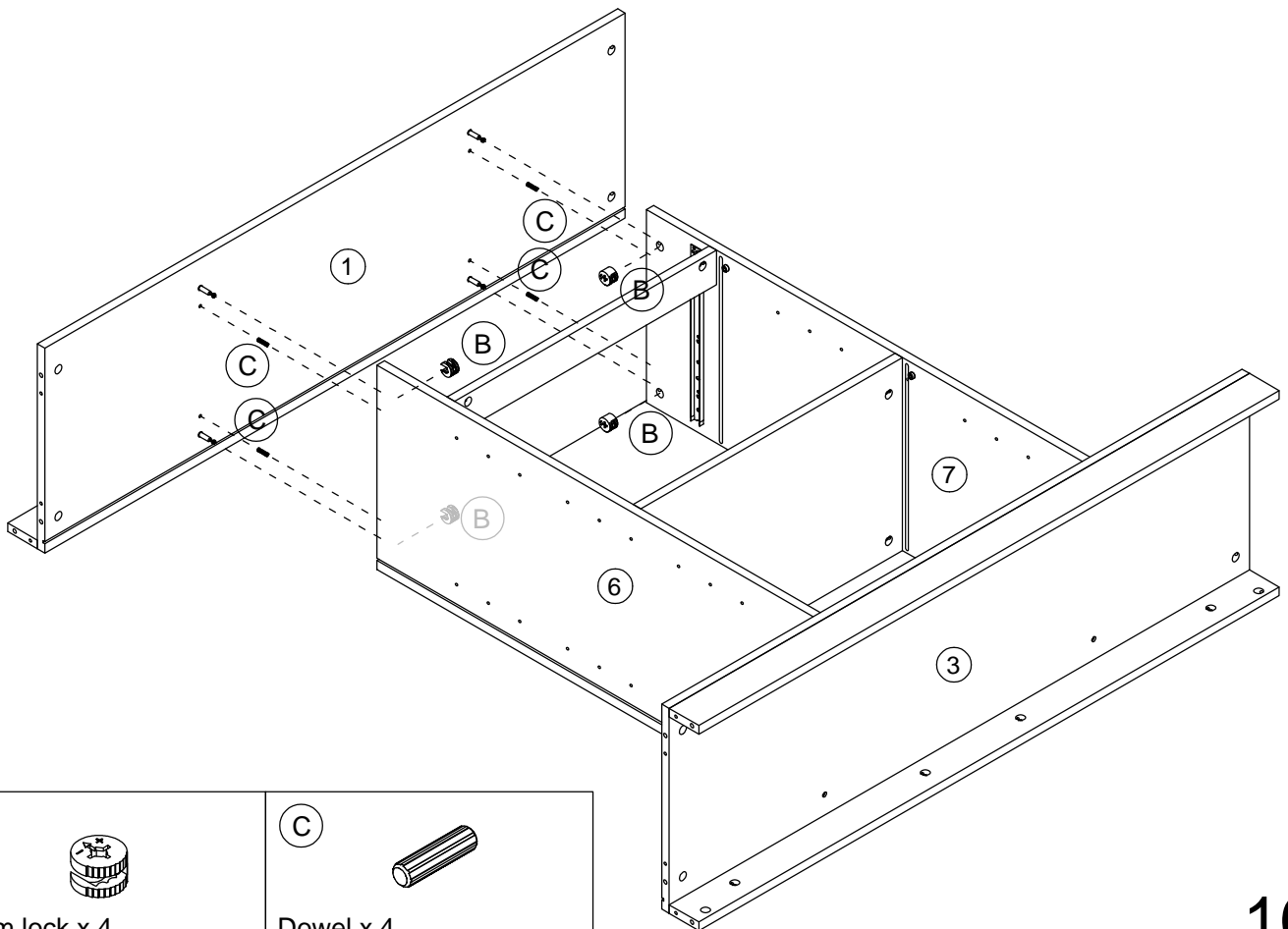
Dowel x 2

Assembly Instructions

Step 11

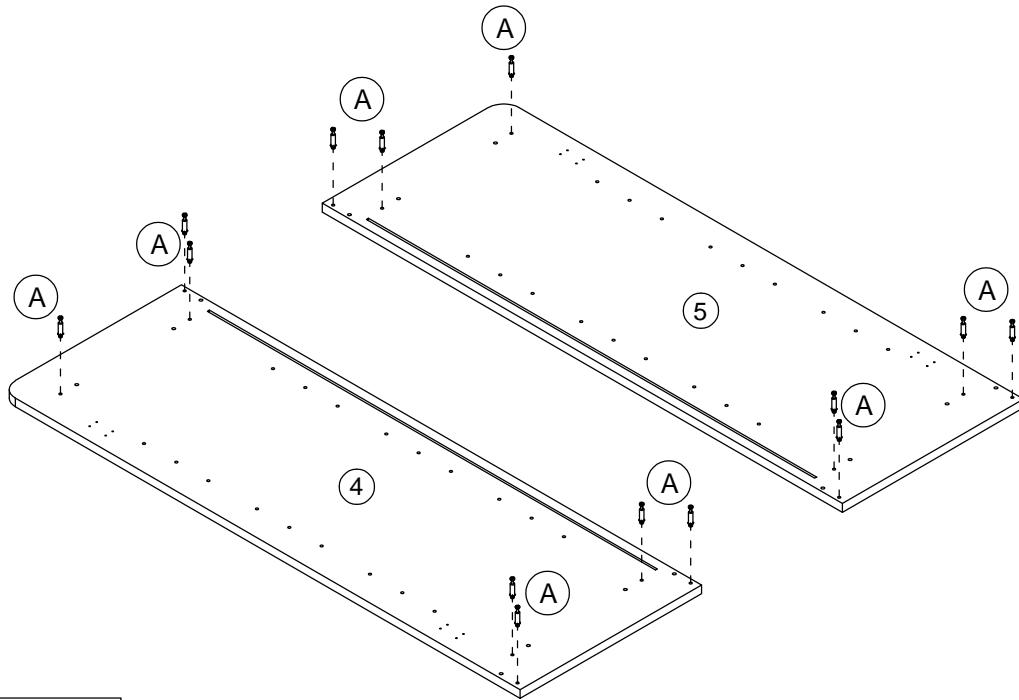


Step 12

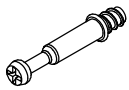


Assembly Instructions

Step 13

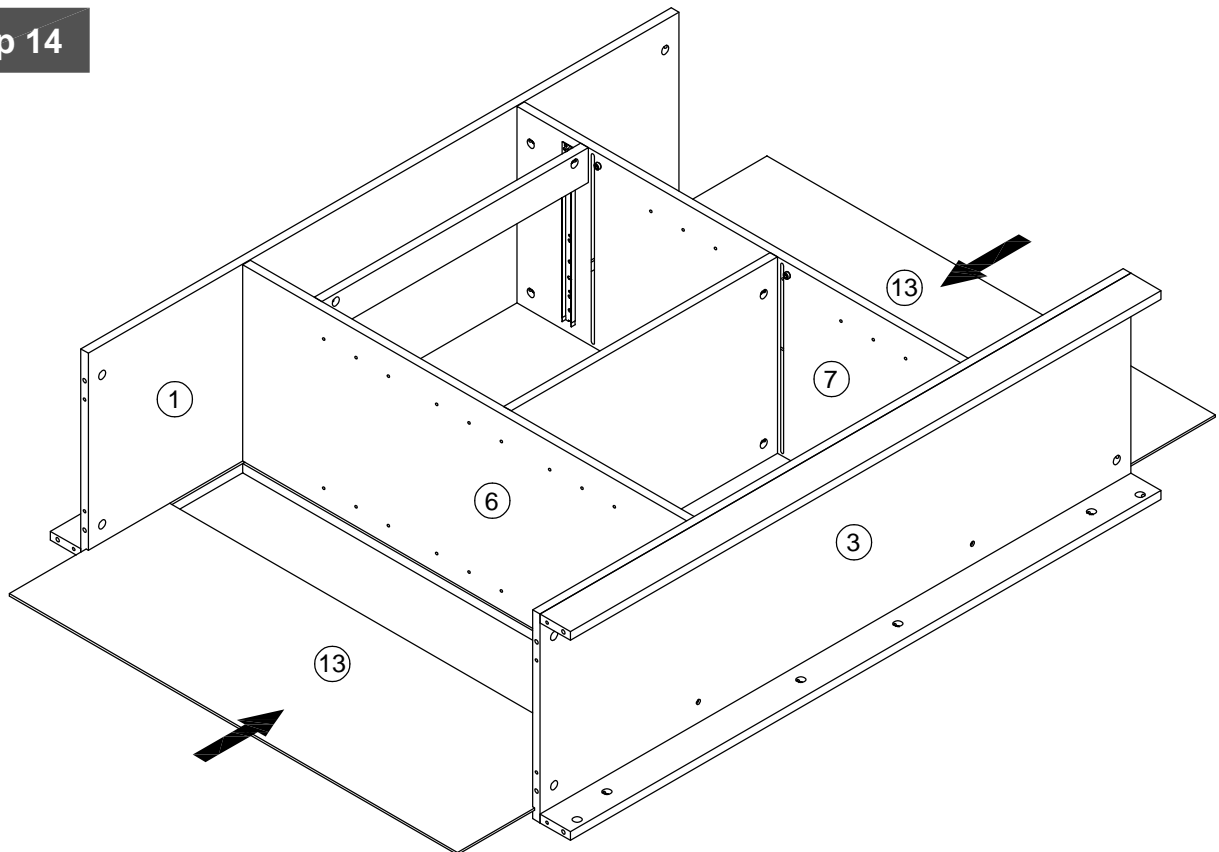


A



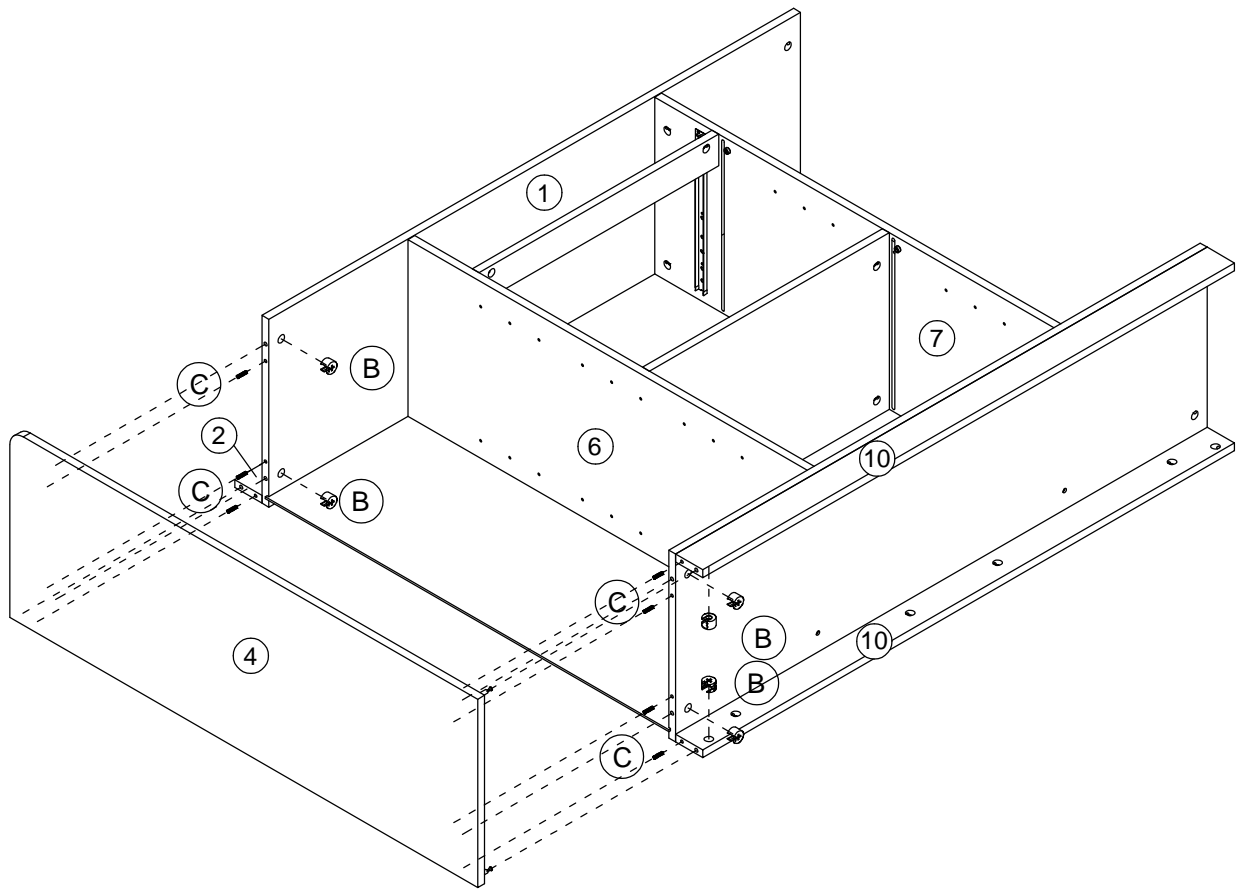
Cam Bolt x 14

Step 14



Assembly Instructions

Step 15



(B)



Cam lock x 6

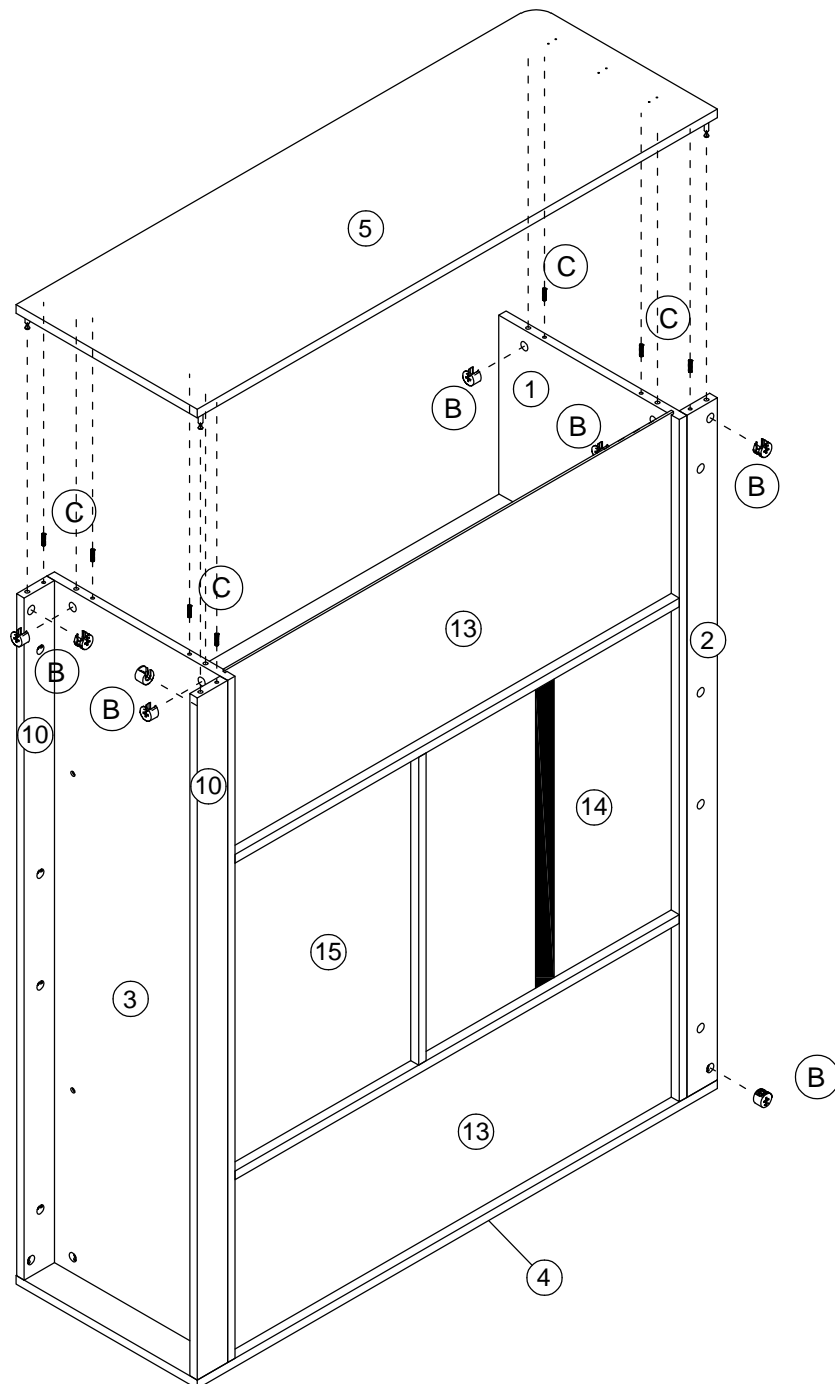
(C)



Dowel x 7

Assembly Instructions

Step 16



(B)



Cam lock x 8

(C)

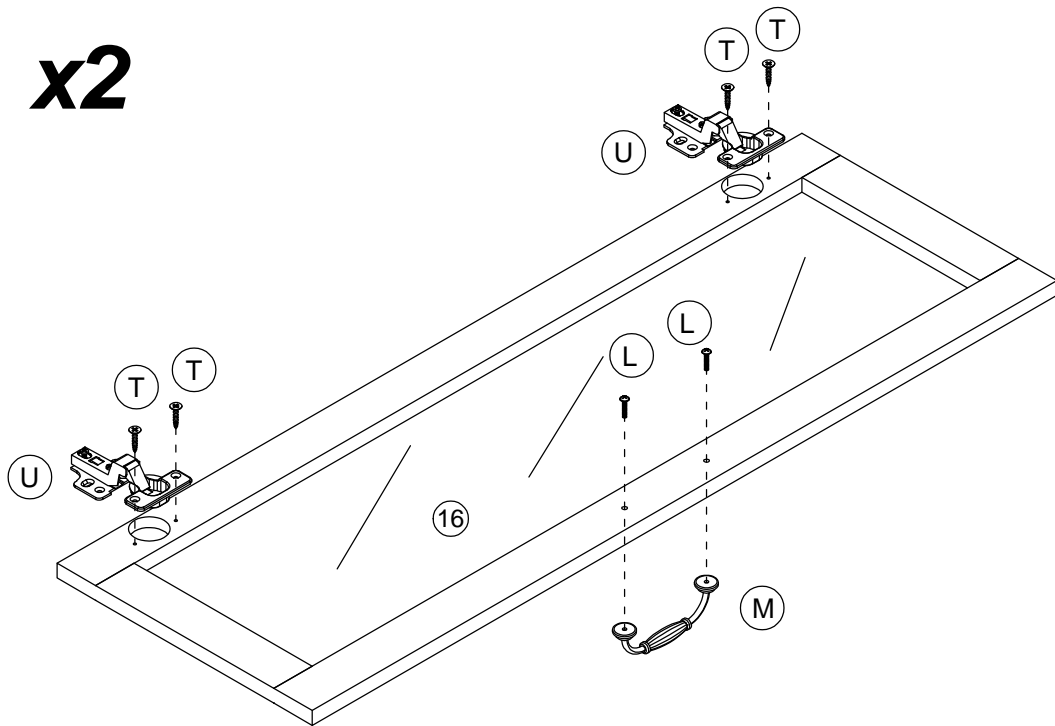


Dowel x 7

Assembly Instructions

Step 17

x2



(L)



4*20mm Screw x 4

(M)



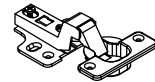
Handle x 2

(T)



4*12mm Screw x 8

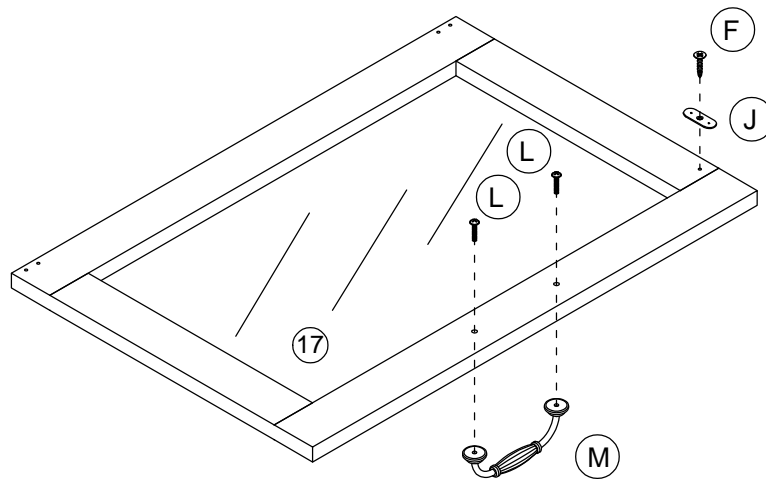
(U)



Hinge x 4

Step 18

x2



(L)



4*20mm Screw x 4

(M)



Handle x 2

(F)



3*12mm Screw x 2

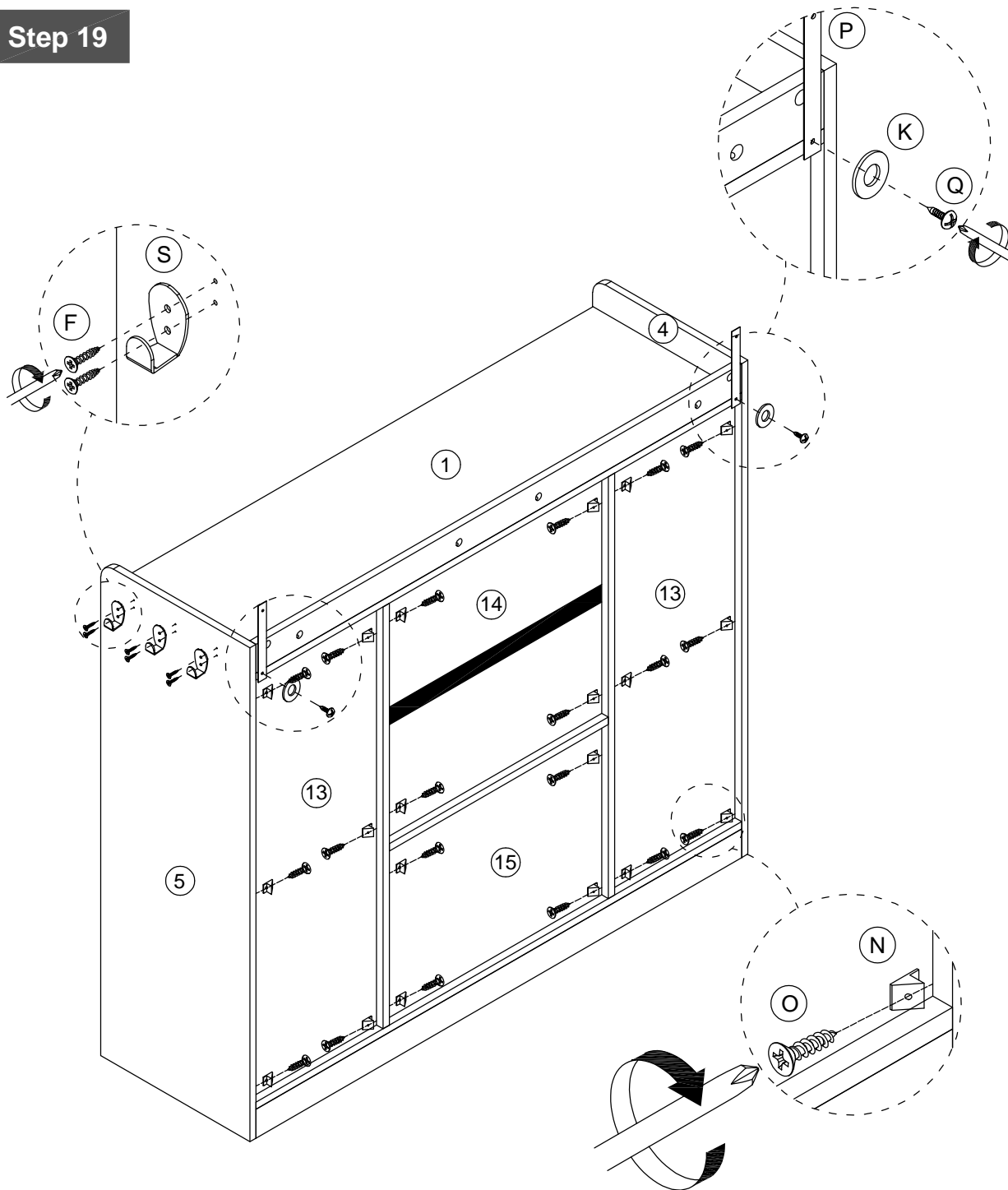
(J)


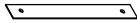



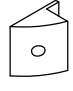



Single Hole Iron Sheet x 2

Assembly Instructions

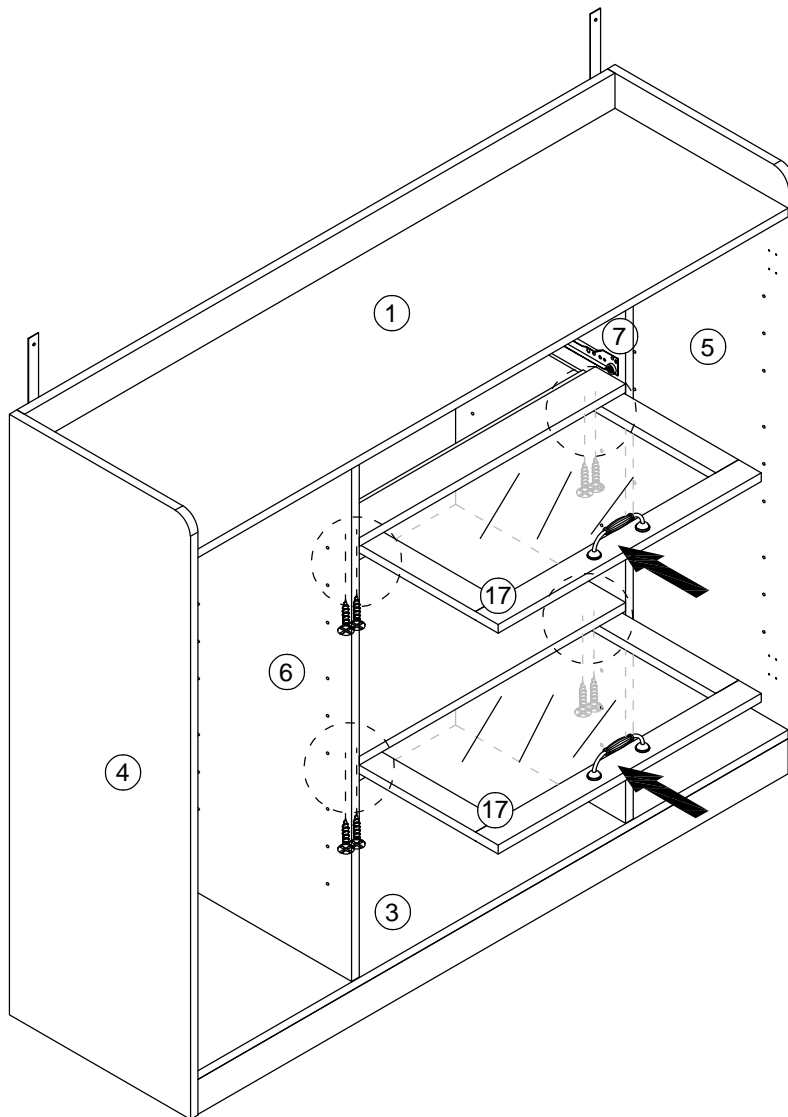
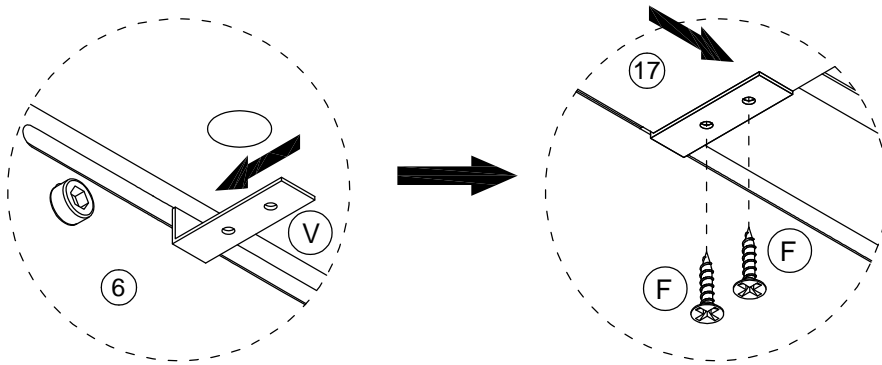
Step 19



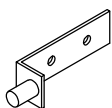
<p>(K) </p> <p>Shim x 2</p>	<p>(P) </p> <p>Anti-Fall Strip x 2</p>	<p>(Q) </p> <p>4*12mm Screw x 2</p>	
<p>(F) </p> <p>3*12mm Screw x 6</p>	<p>(S) </p> <p>Couple x 3</p>	<p>(N) </p> <p>Back Panel Buckle x 20</p>	<p>(O) </p> <p>3*16mm Screw x 20</p>

Assembly Instructions

Step 20



(V)



Rotation Shaft x 4

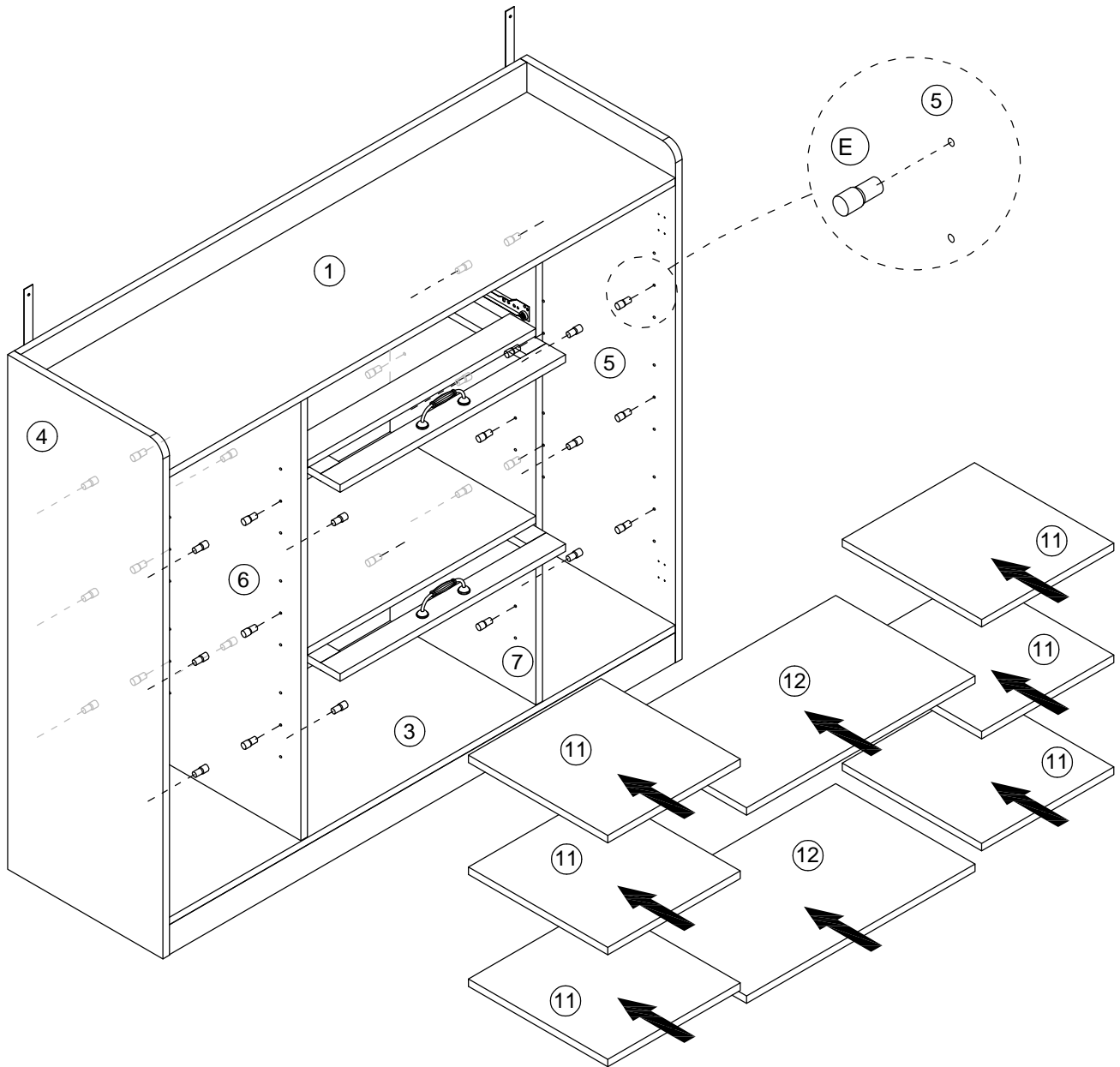
(F)



3*12mm Screw x 8

Assembly Instructions

Step 21



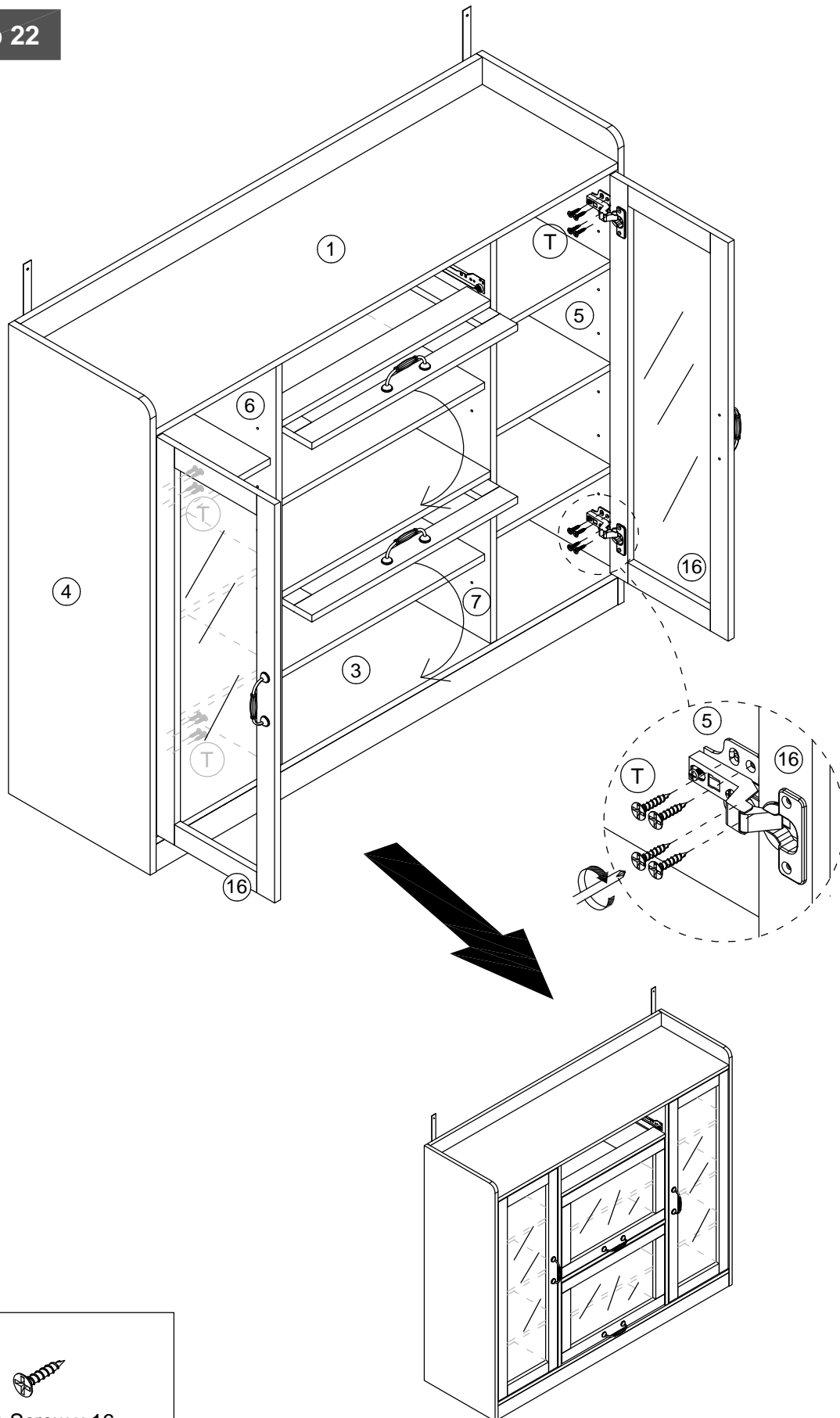
E



Lamina Torus x 32

Assembly Instructions

Step 22



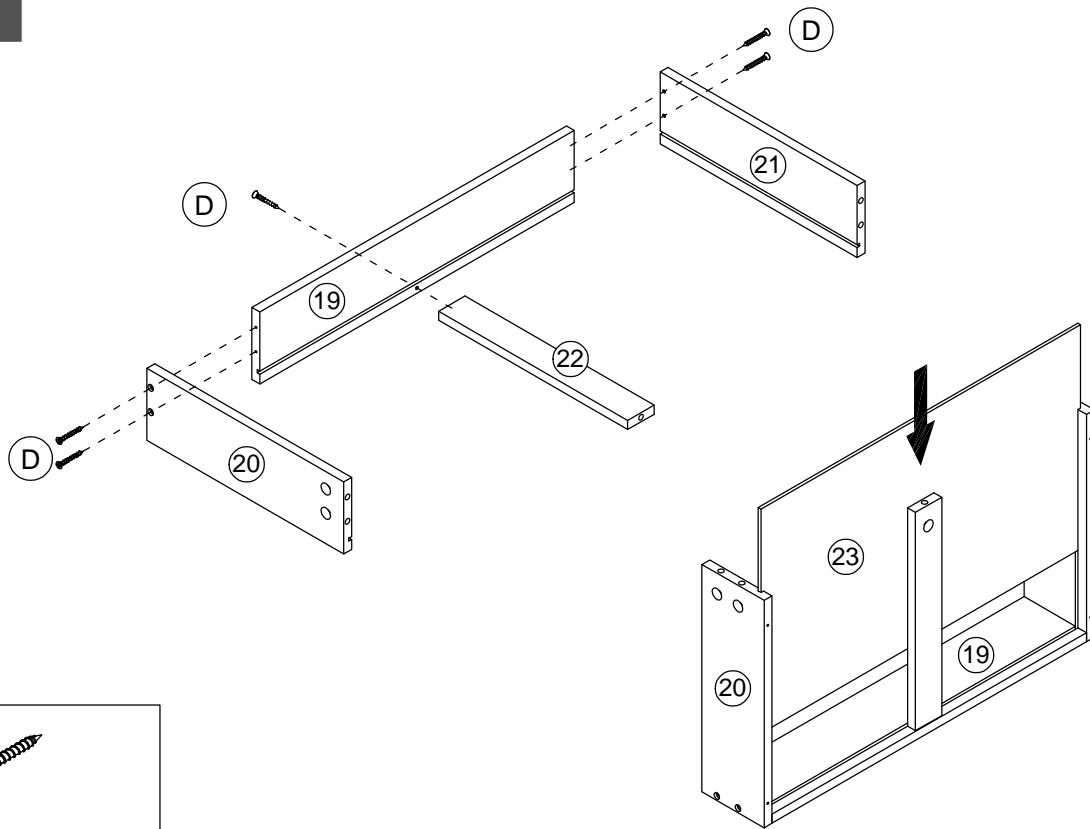
(T)



4*12mm Screw x 16

Assembly Instructions

Step 23

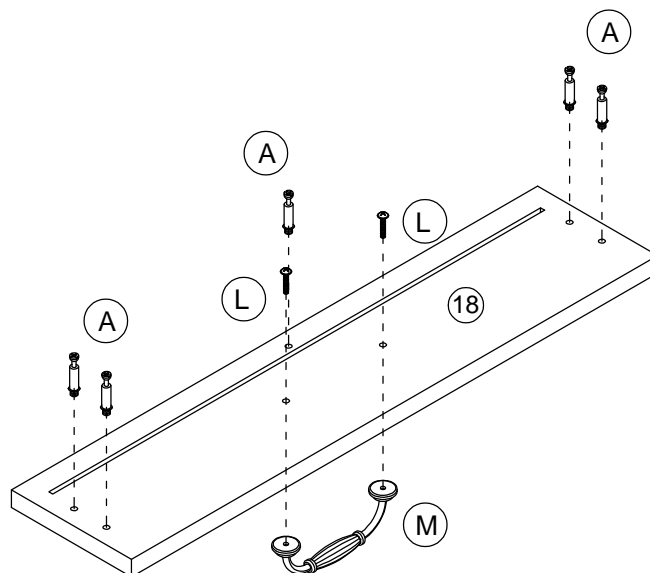


D

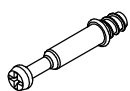


4*35mm Screw x 5

Step 24



A



Cam Bolt x 5

L



4*20mm Screw x 2

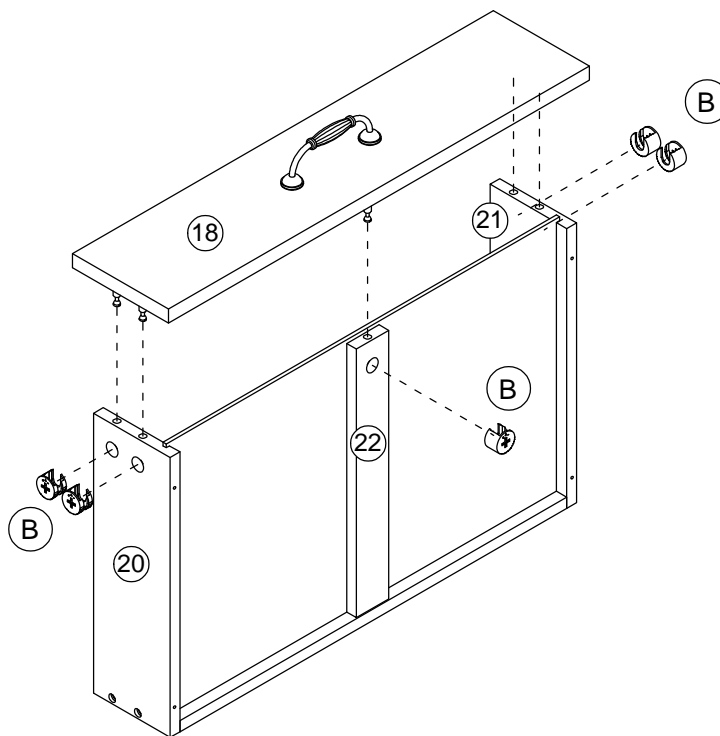
M



Handle x 1

Assembly Instructions

Step 25

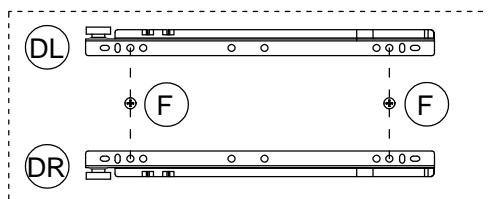


(B)



Cam lock x 5

Step 26



(F)



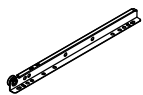
3*12mm Screw x 4

(DL)

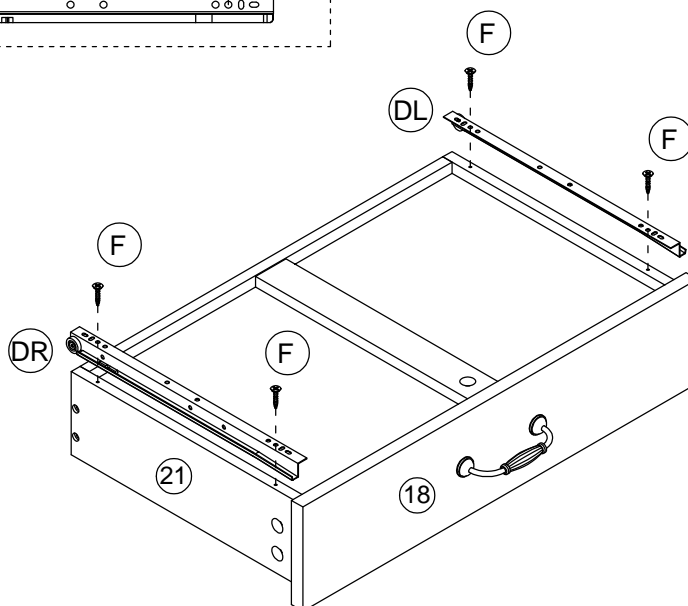


300mm runner x 1

(DR)

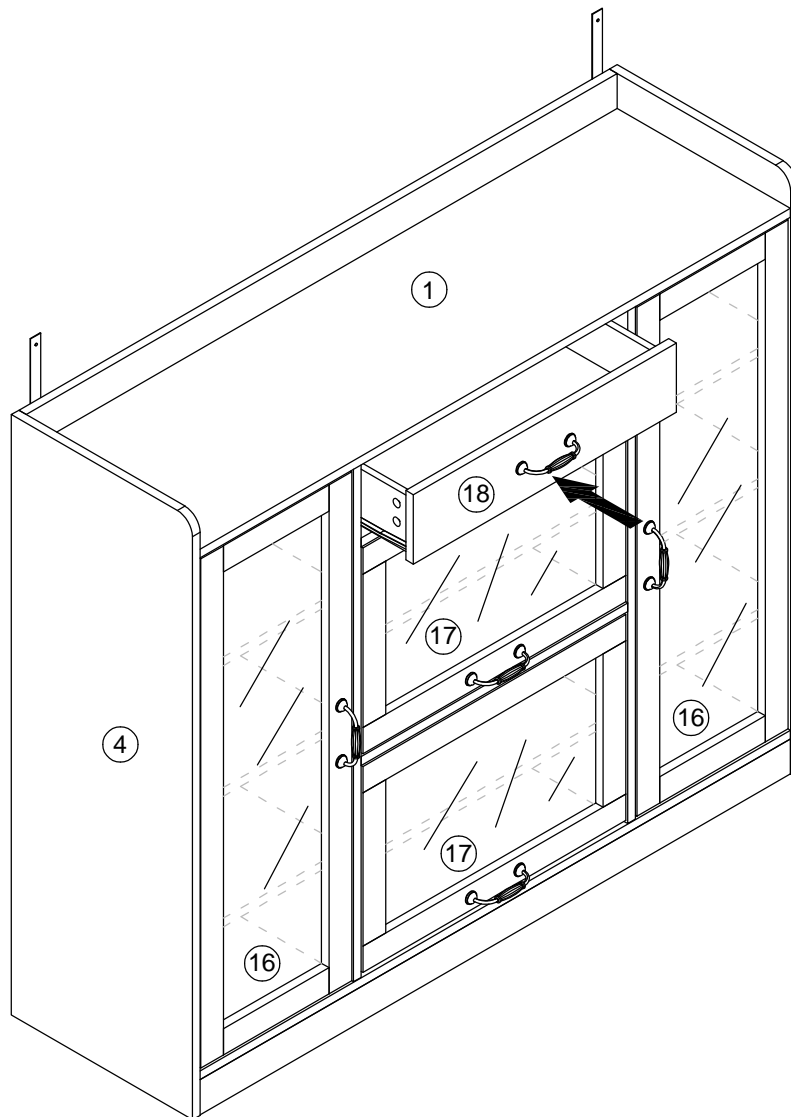


300mm runner x 1



Assembly Instructions

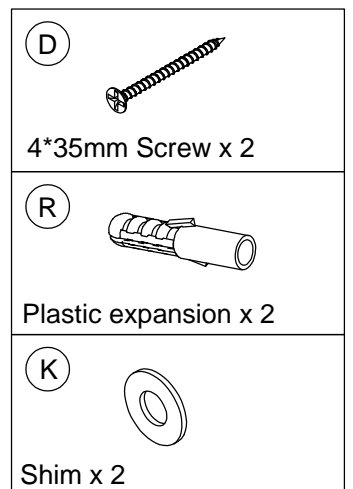
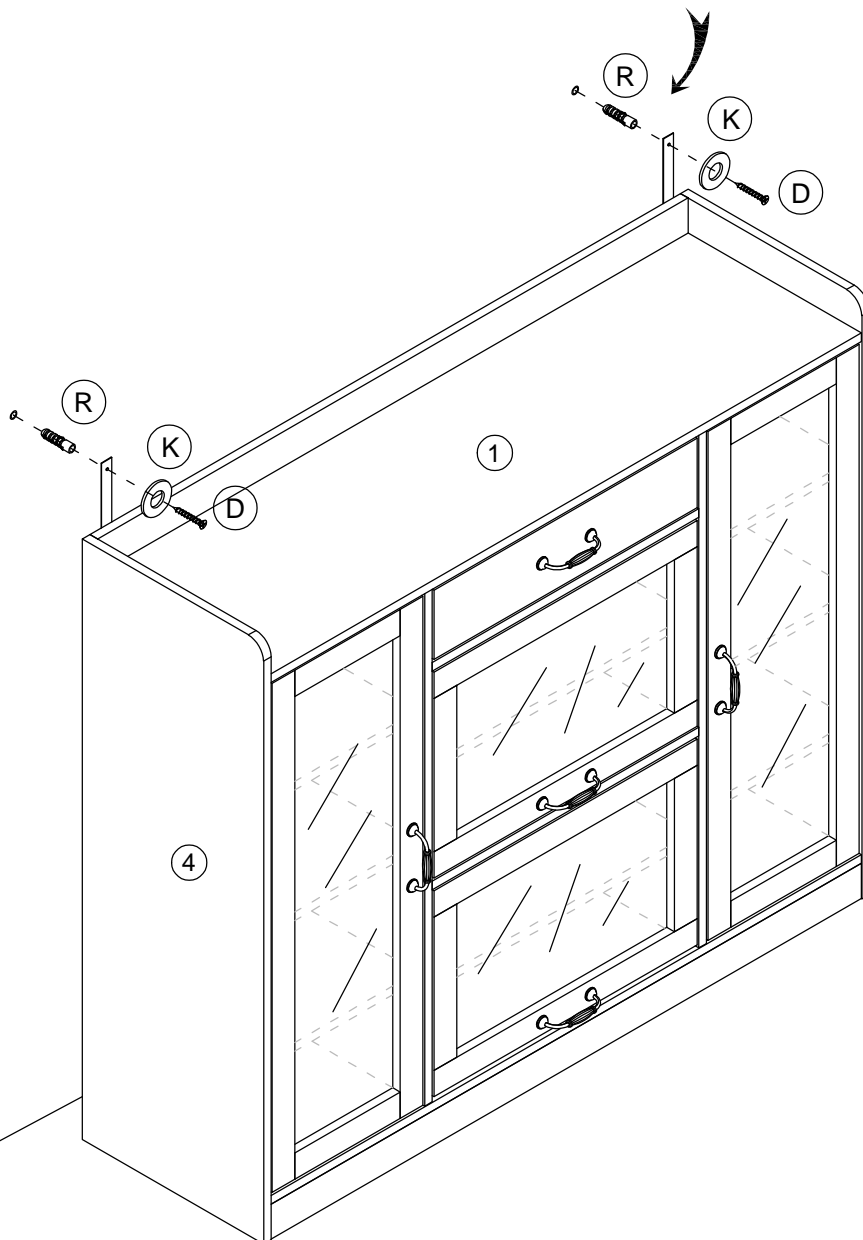
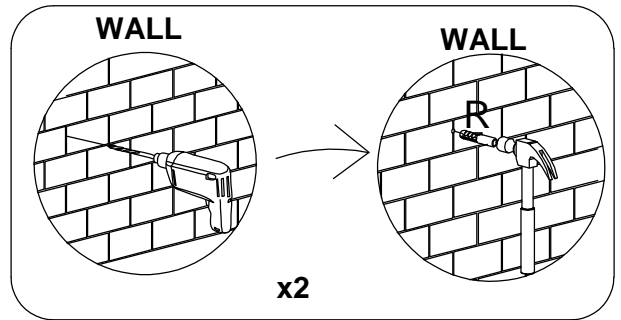
Step 27



Assembly Instructions

Step 28

WALL



Assembly Instructions

Finish

