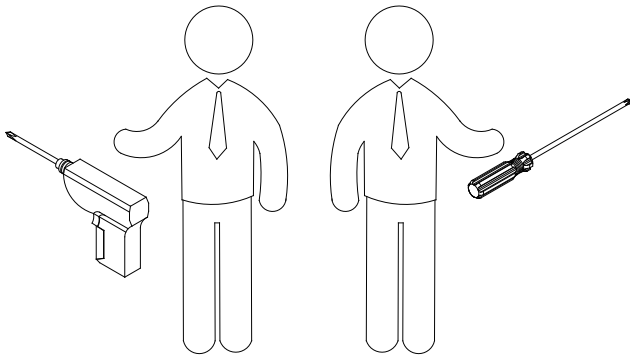


# TV STAND

Assembly Instructions - Please keep for future reference

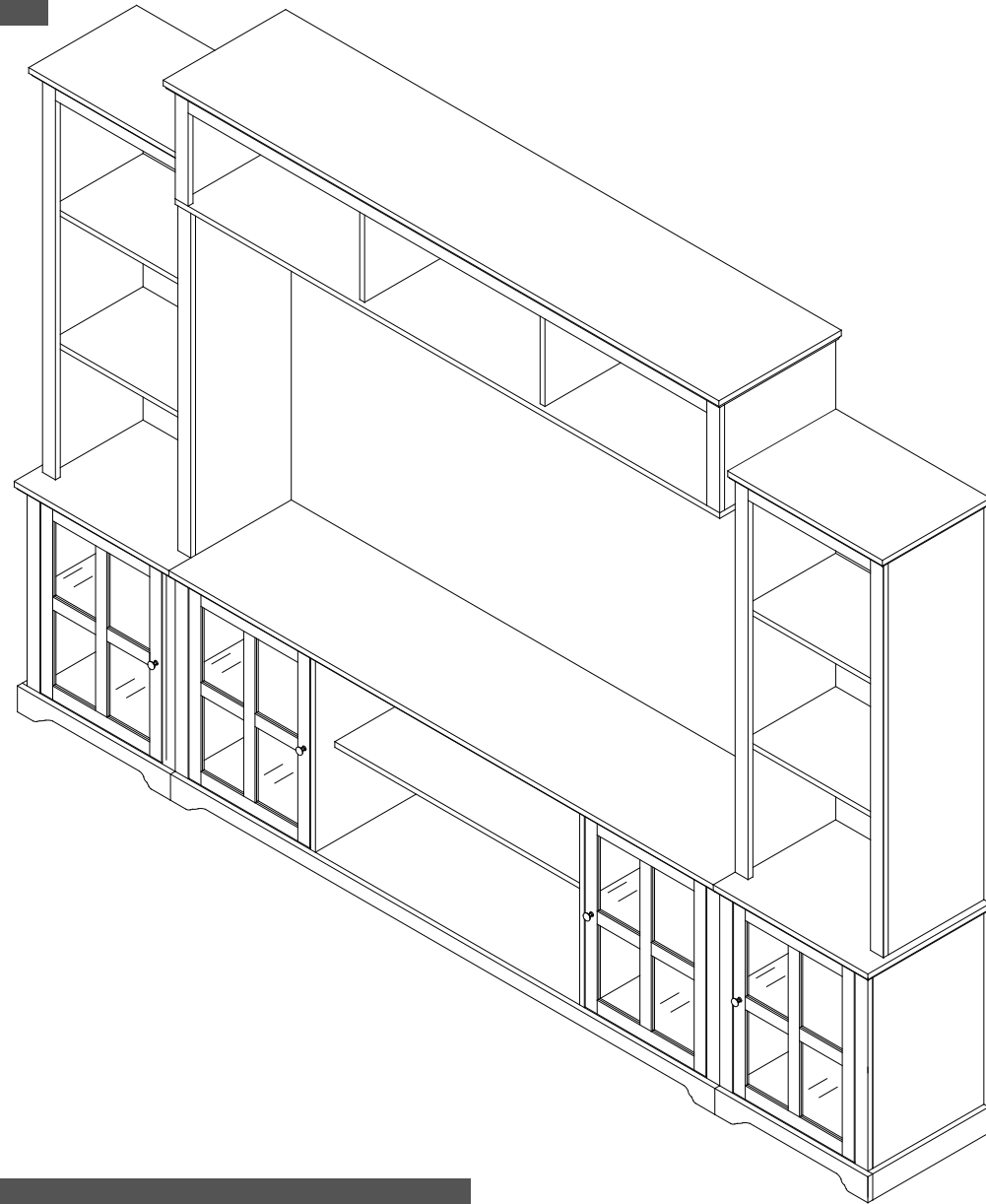


## Dimensions

Width-110.08inch

Depth-14.96inch

Height-76.77inch



Important – Please read these instructions fully before starting assembly



# Safety and Care Advice

**Important – Please read these instructions fully before starting assembly**

- Check you have all the components and tools listed on the following pages.
- Remove all fittings from the plastic bags and separate them into their groups.
- Keep children and animals away from the work area, small parts could choke if swallowed.
- Make sure you have enough space to layout the parts before starting.

- During assembly do not stand or put weight on the product, this could cause damage.
- Assemble the item as close to its final position (in the same room) as possible.
- Assemble on a soft level surface to avoid damaging the unit or your floor.
- Parts of the assembly will be easier with 2 people.



power drill is set on a low torque setting.

- To reduce the likelihood of damaging your product please ensure that your

## Care and maintenance

- Only clean using a damp cloth and mild detergent, do not use bleach or abrasive cleaners.
- From time to time check that there are no loose screws on this unit.
- This product should not be discarded with household waste. Take to your local authority waste disposal centre.

## Handy Hints

- Assemble all parts and bolts loosely during assembly, only once the product is complete should you fully tighten the bolts
- Regularly check and ensure That all bolts and fittings are tightend properly.

## **WARNING**

**In order to help prevent overturning – please follow these instructions**

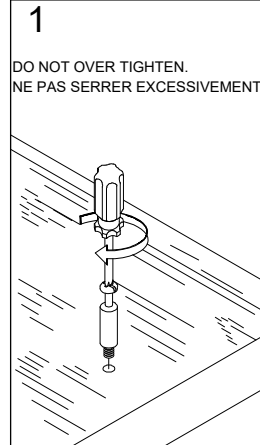
To help prevent product toppling over please follow the below steps:-

- Use the anti tip stap or wall fixing method provided (if applicable)
- Do not allow children to climb or hang on the furniture
- Do not open more than one drawer at a time
- Do not place heavy items in the top drawers
- Do not place heavy items on top of the furniture, unless the furniture has been designed for this purpose

# Using Camlocks

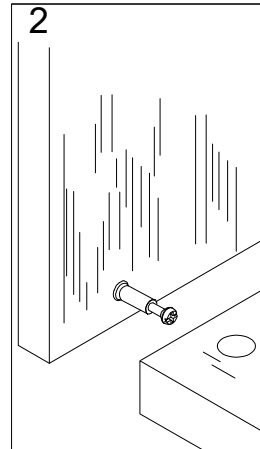
## Step 1

Connect the male camlock as directed in the assembly instructions using a screwdriver.



## Step 2

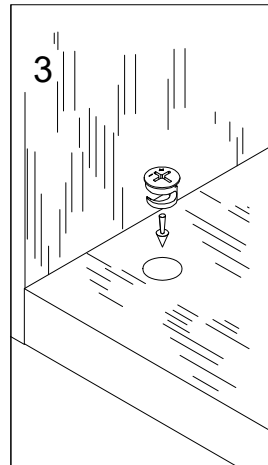
Push the male camlock into the entry hole.



## Step 3

Insert the female camlock as shown in the instruction.

Note: ensure that the arrow on the top of the camlock points towards the entry hole for the male camlock.

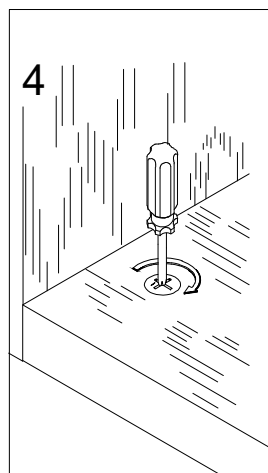


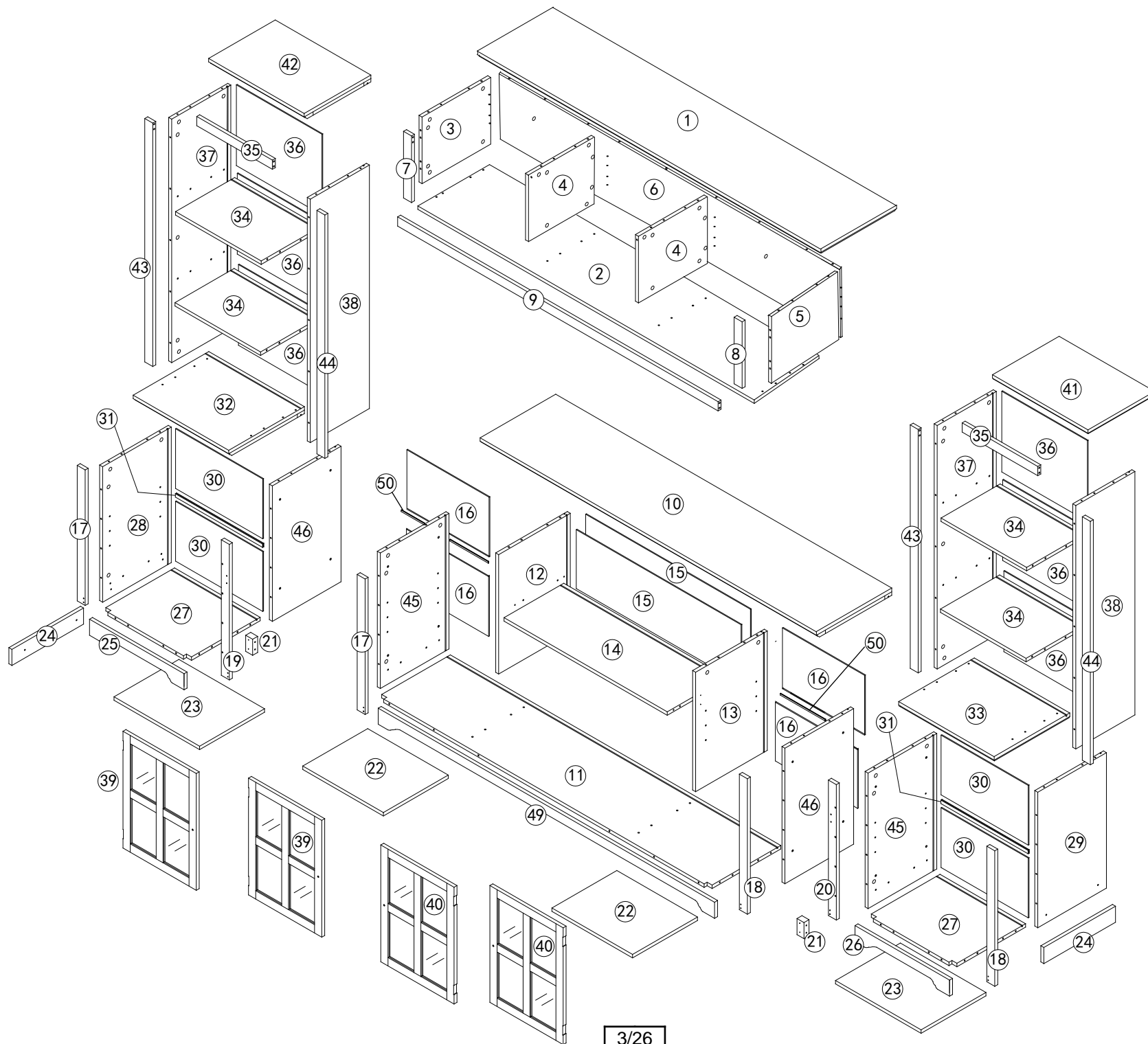
## Step 4

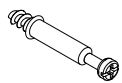
Turn the female camlock clockwise with a screwdriver.

You should feel a click when the camlock is locked in place.

The joint is now secure.



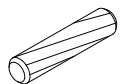




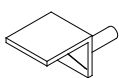
Ax136



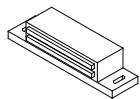
Bx136



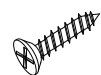
Cx142



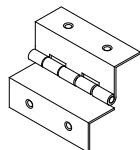
Dx16



E x4



F x8



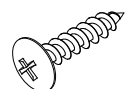
G x8



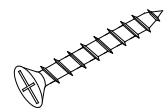
H x36



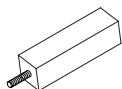
I x2



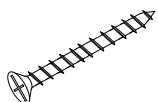
J x16



K x8



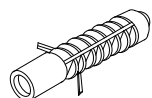
L x2



M x5



N x2



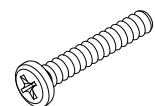
O x5



P x2



Q x54



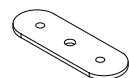
R x8



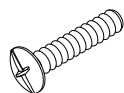
S x8



T x4

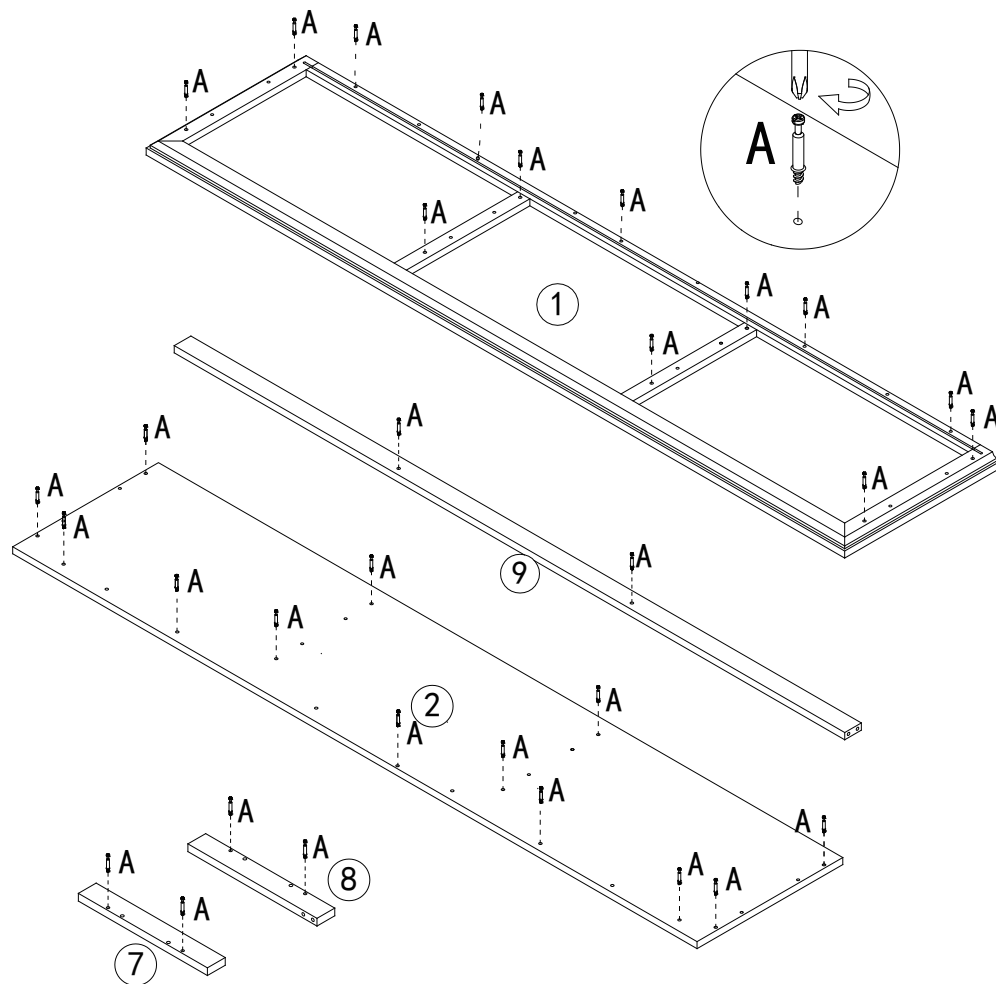


U x4

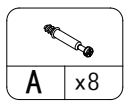
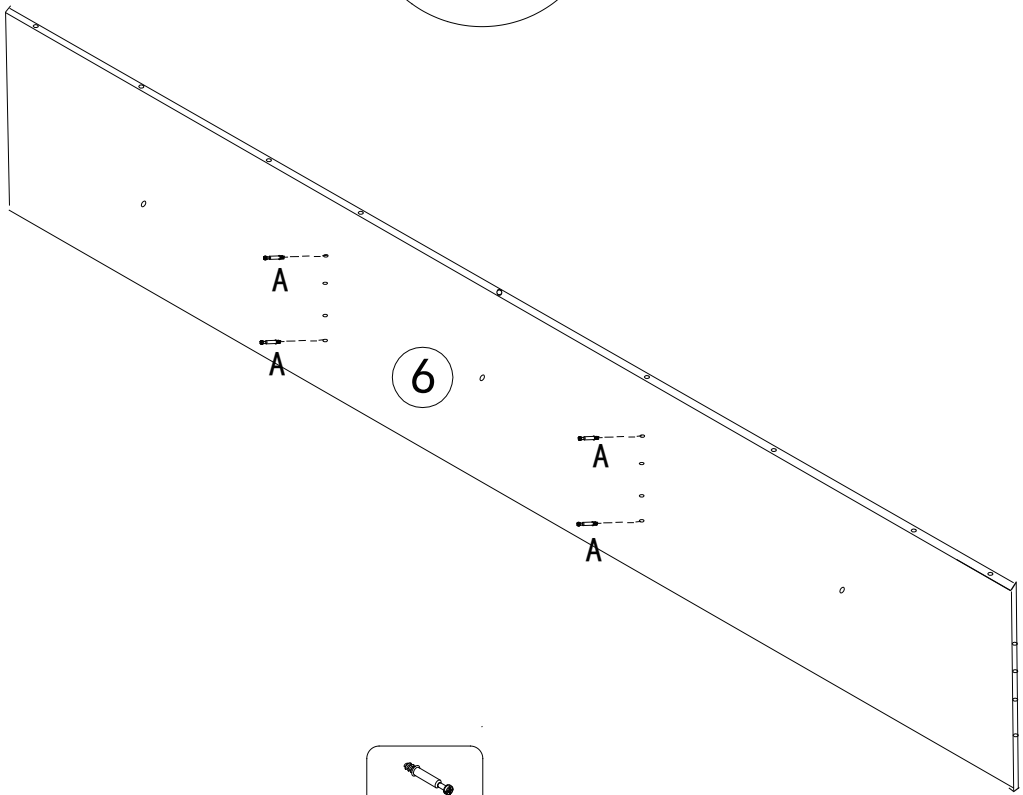
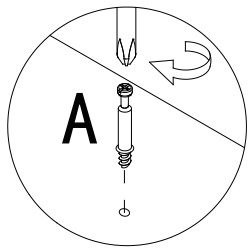
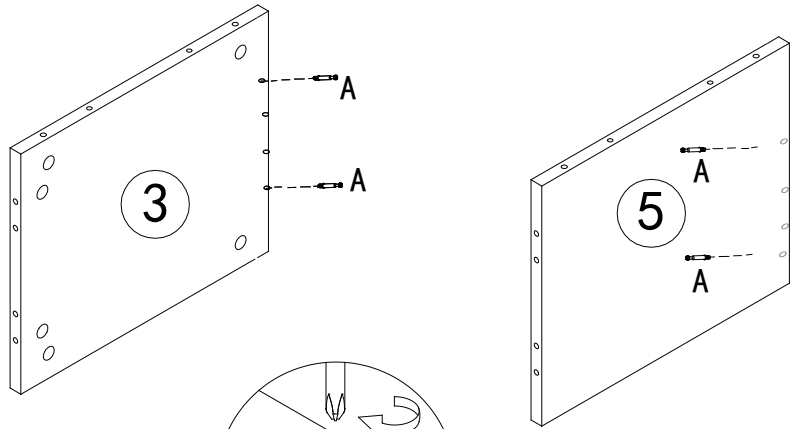


V x4

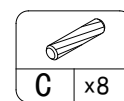
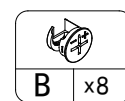
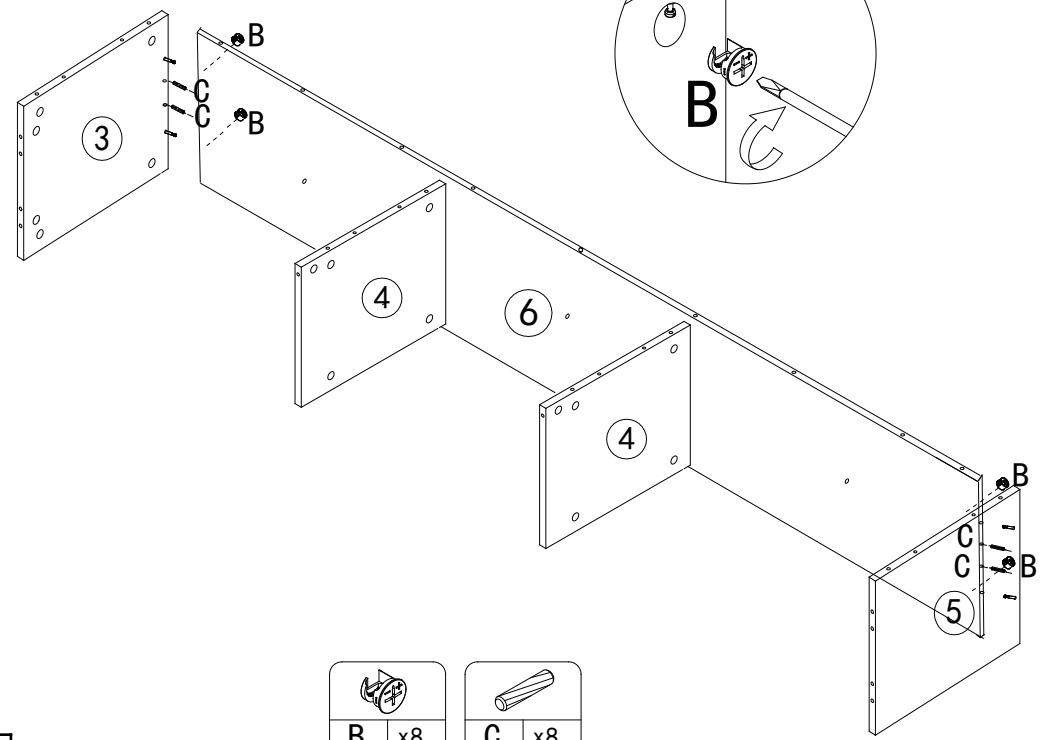
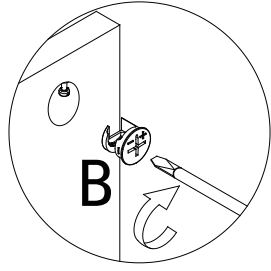
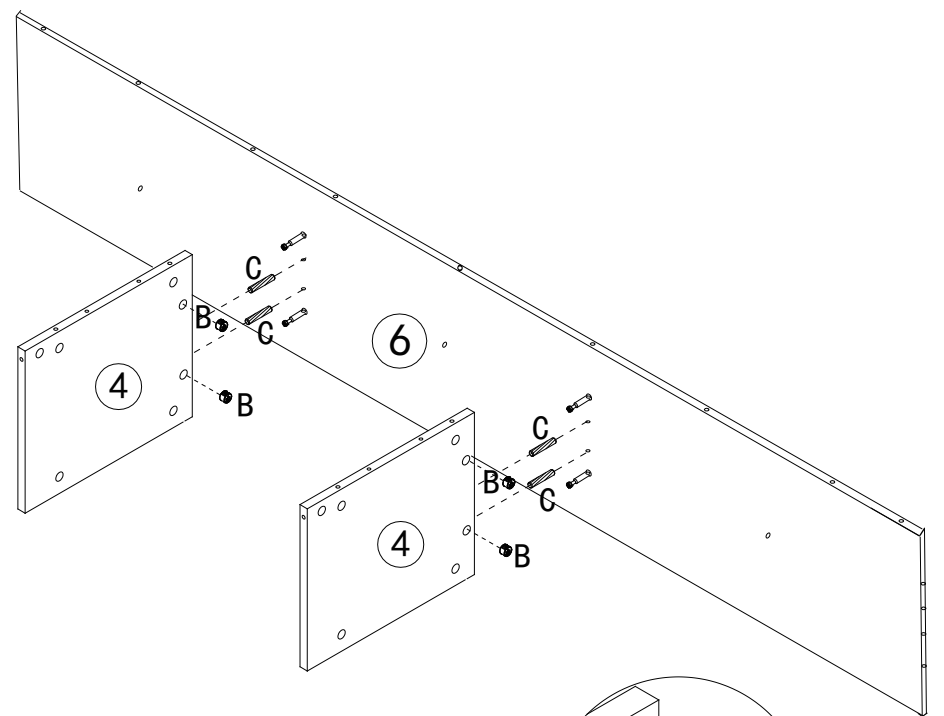
1



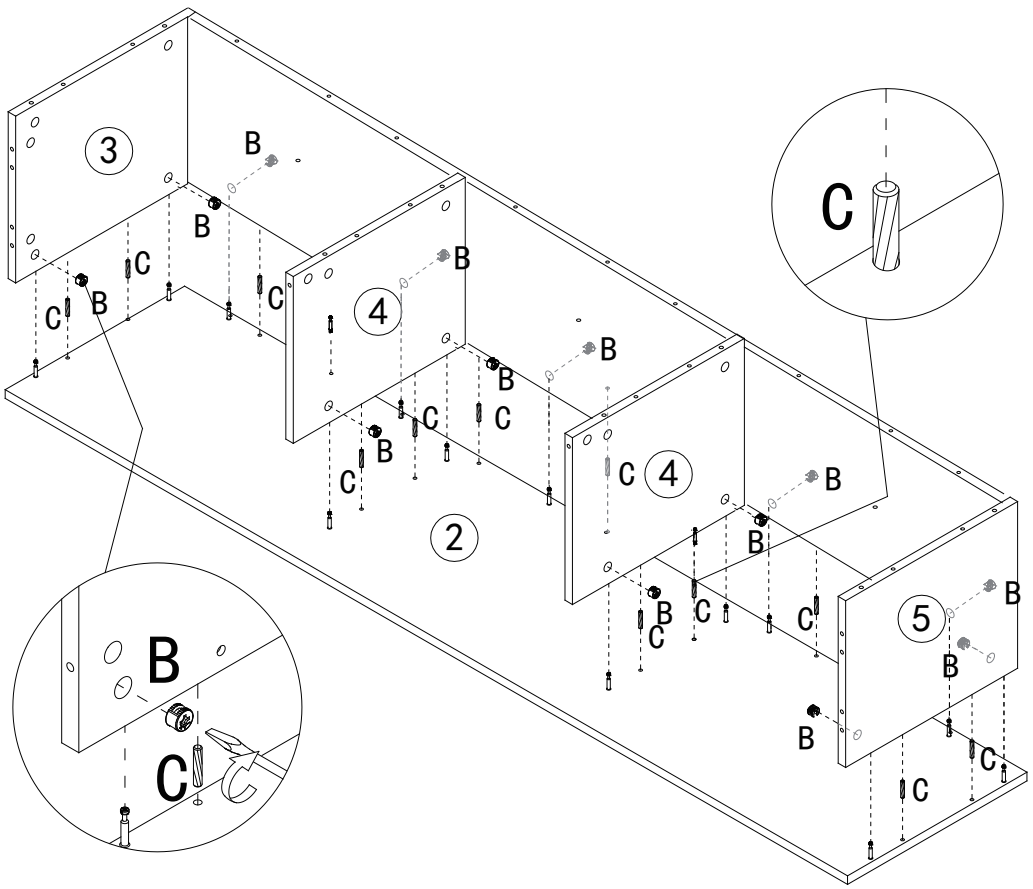
2





3



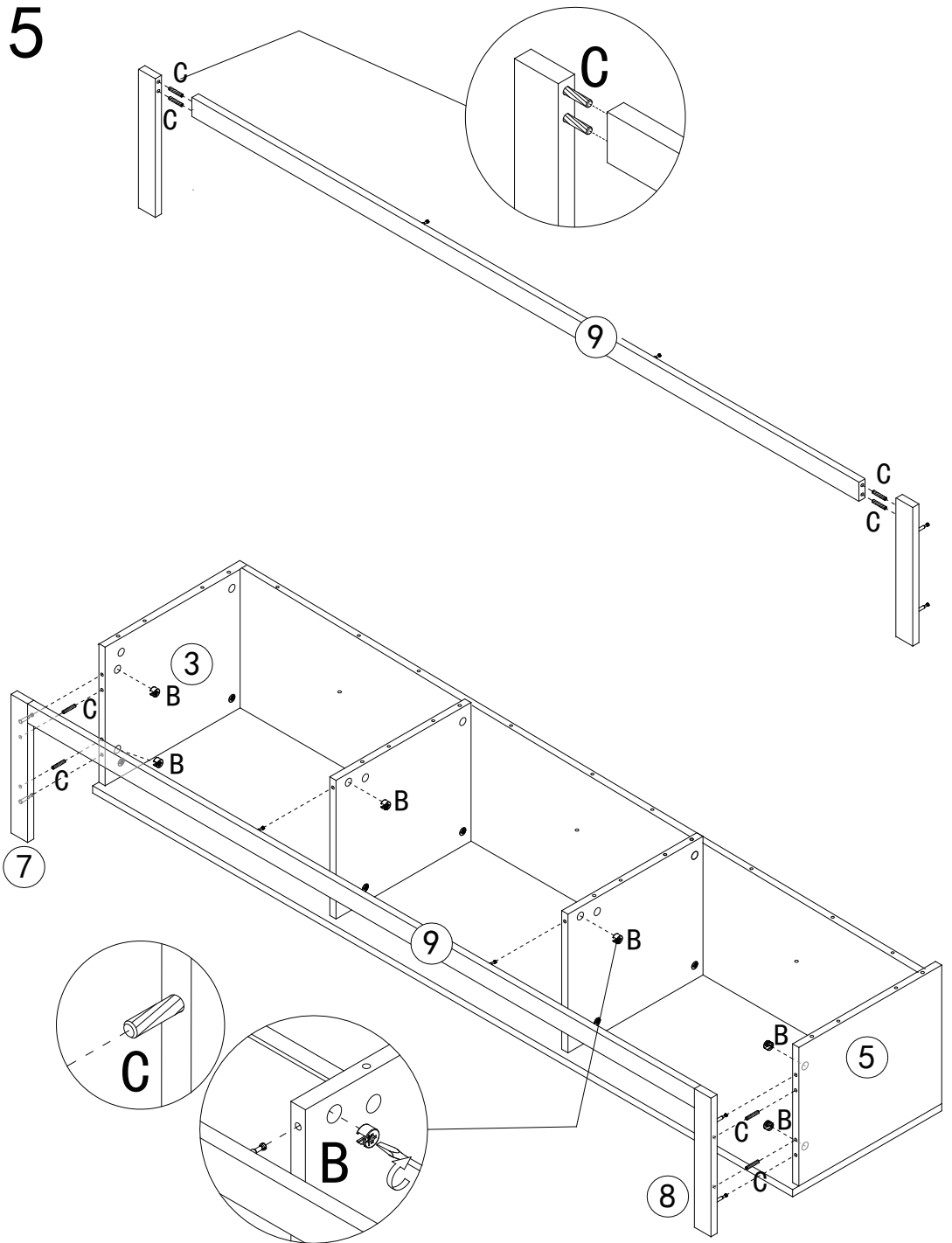
4





	<b>B</b> x13
---	--------------

	<b>C</b> x12
---	--------------

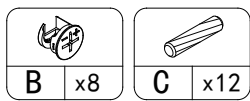
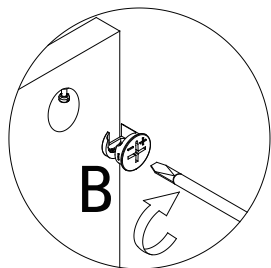
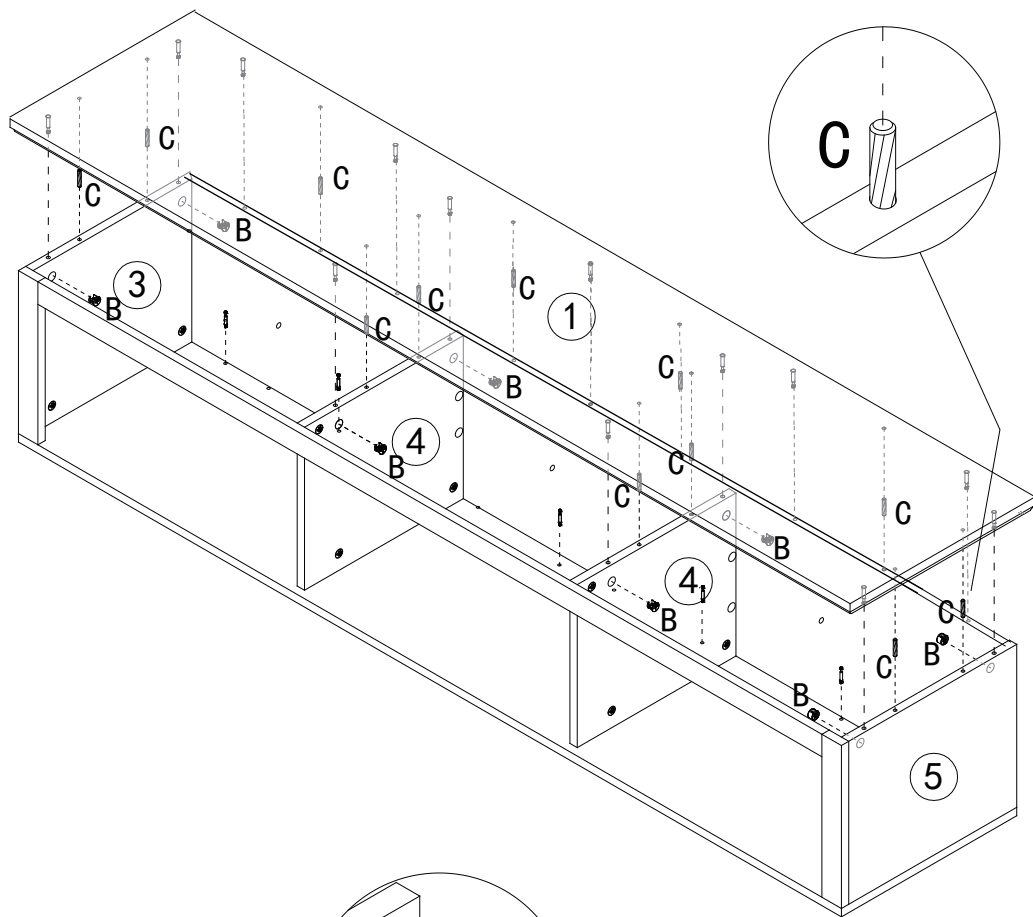
5



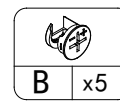
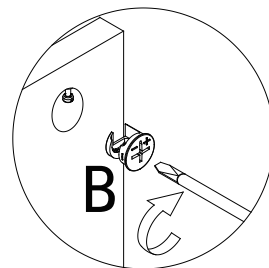
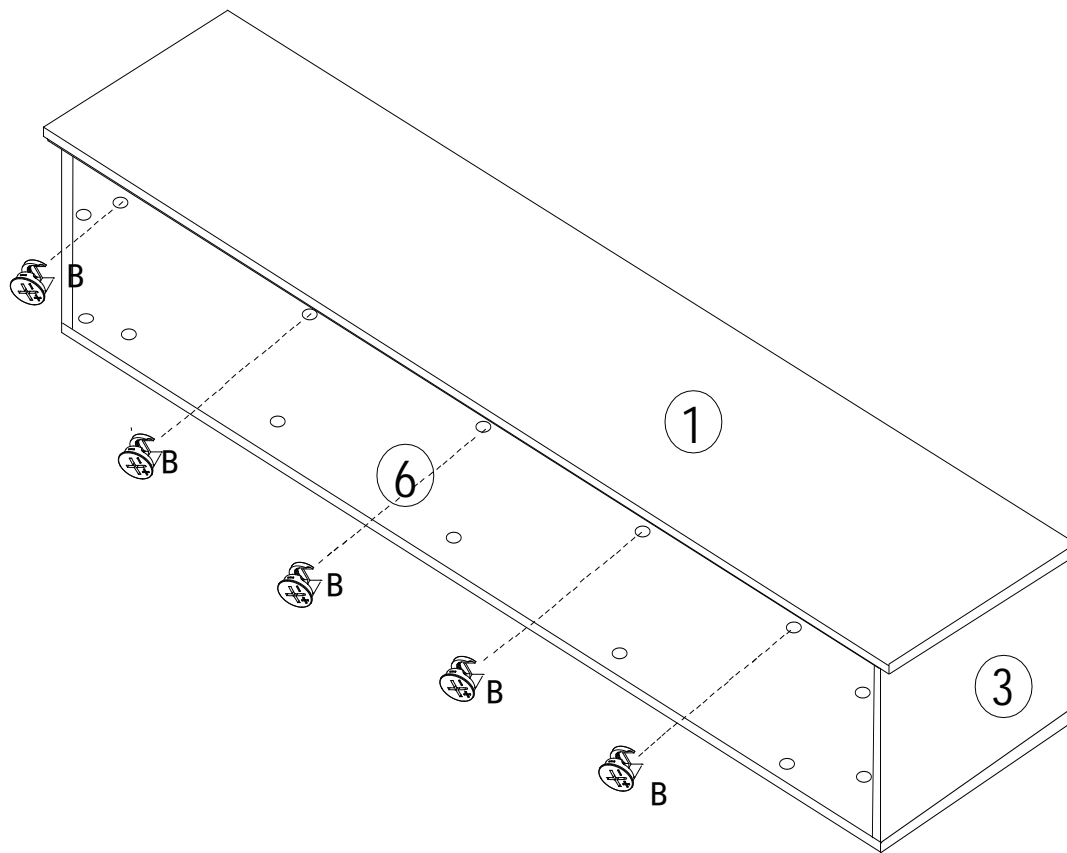
	<b>B</b> x6
---	-------------

	<b>C</b> x8
---	-------------

6

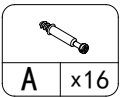
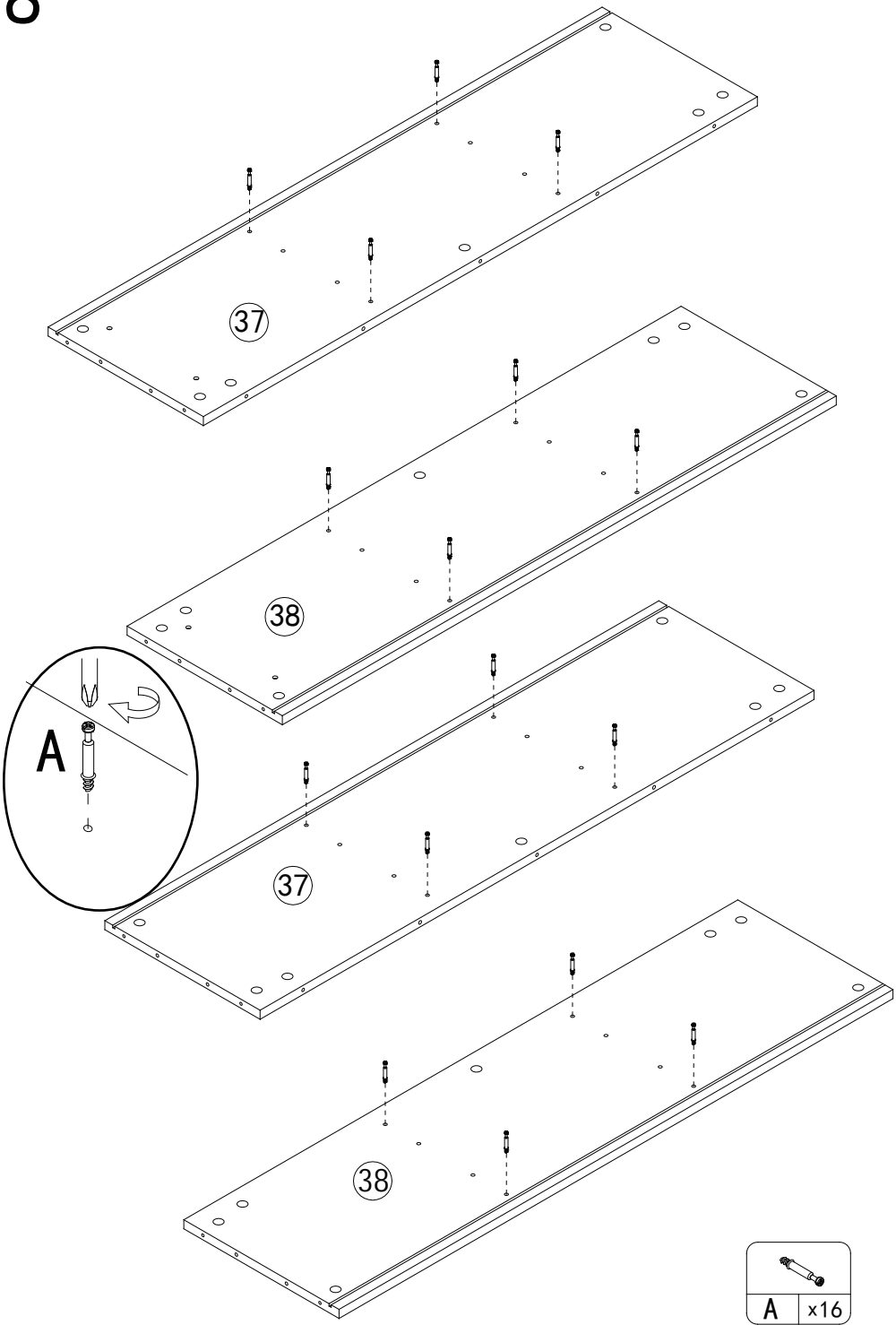


7

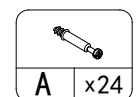
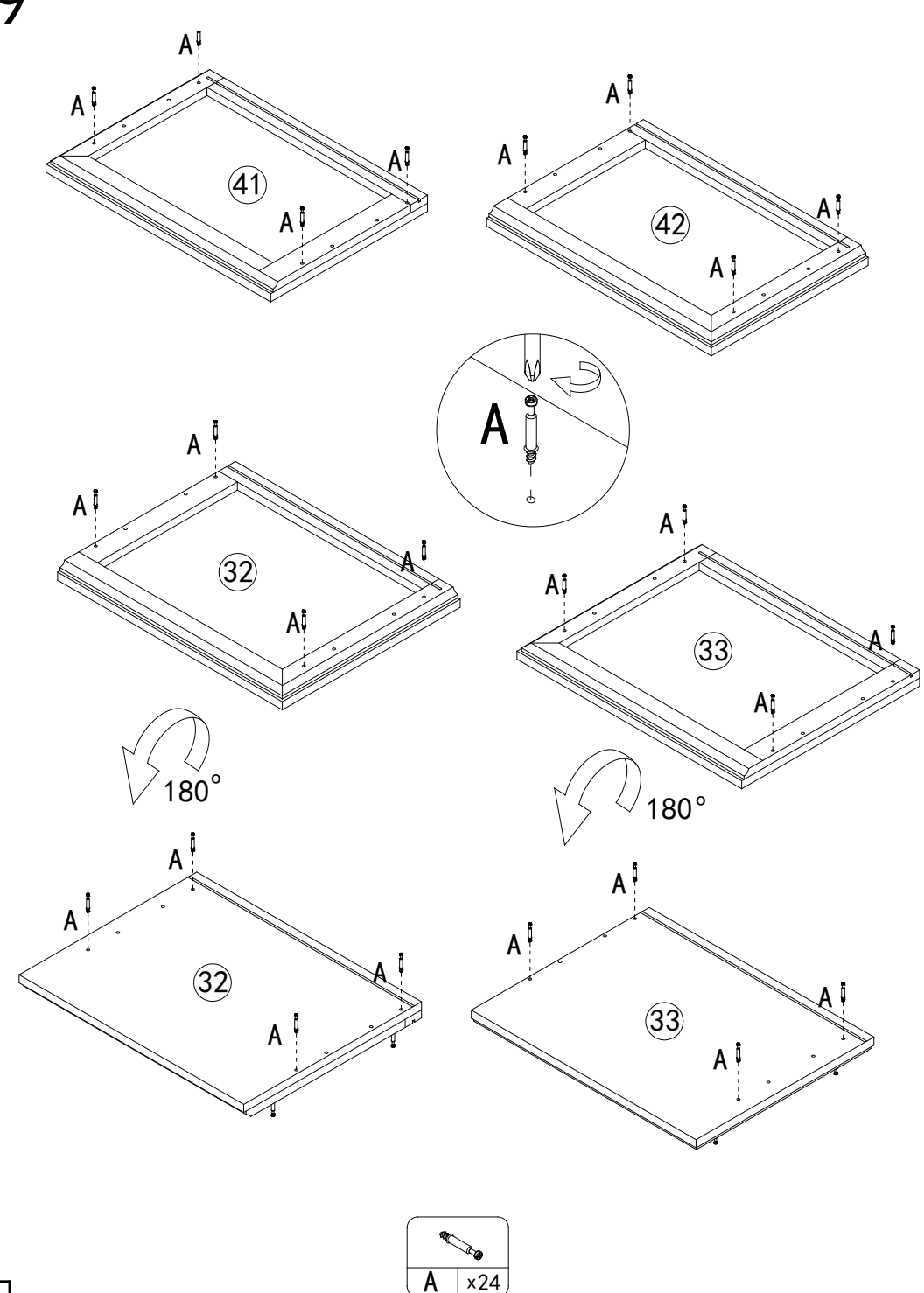




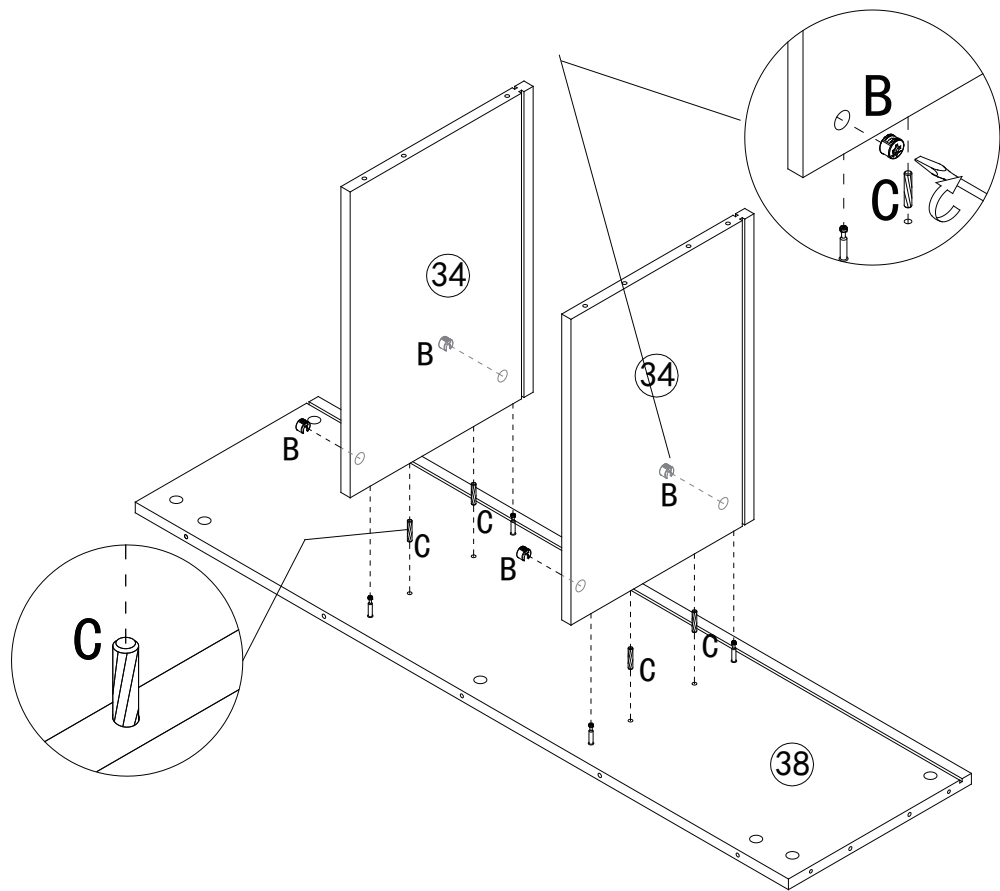
8



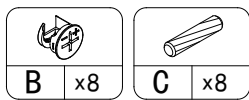
9



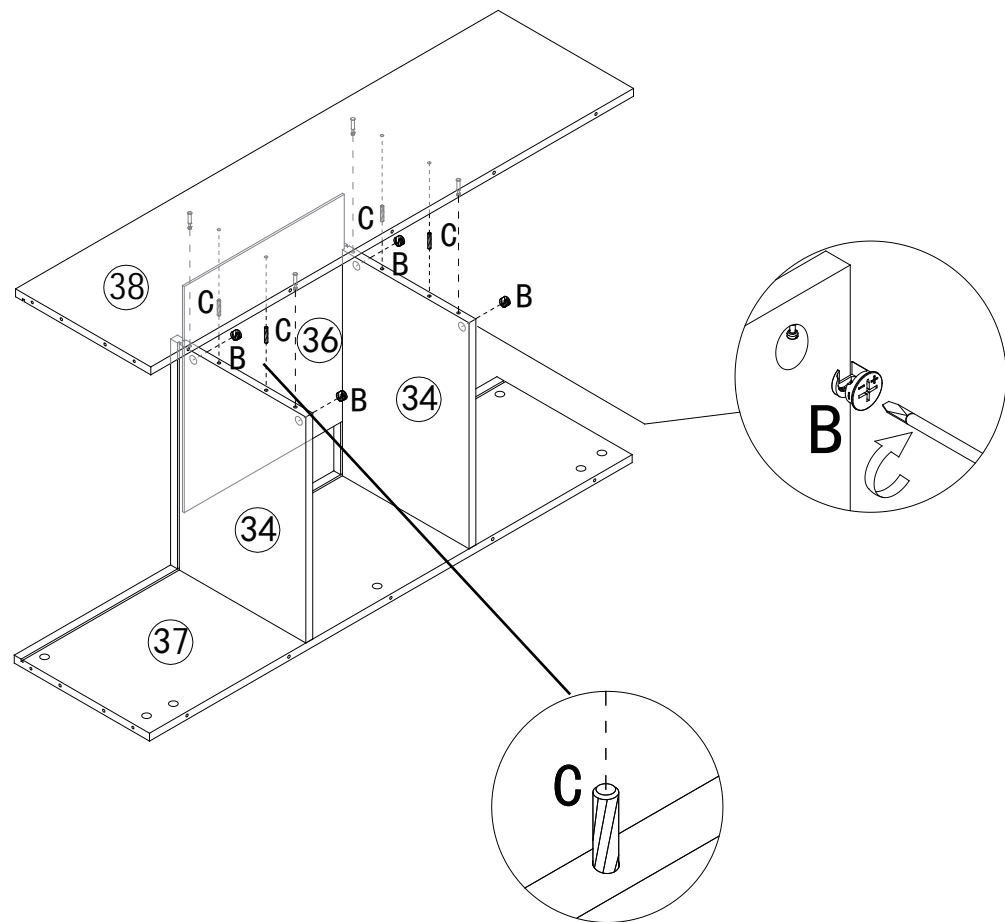
10



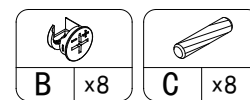
X2



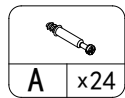
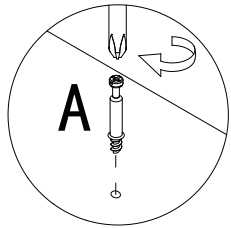
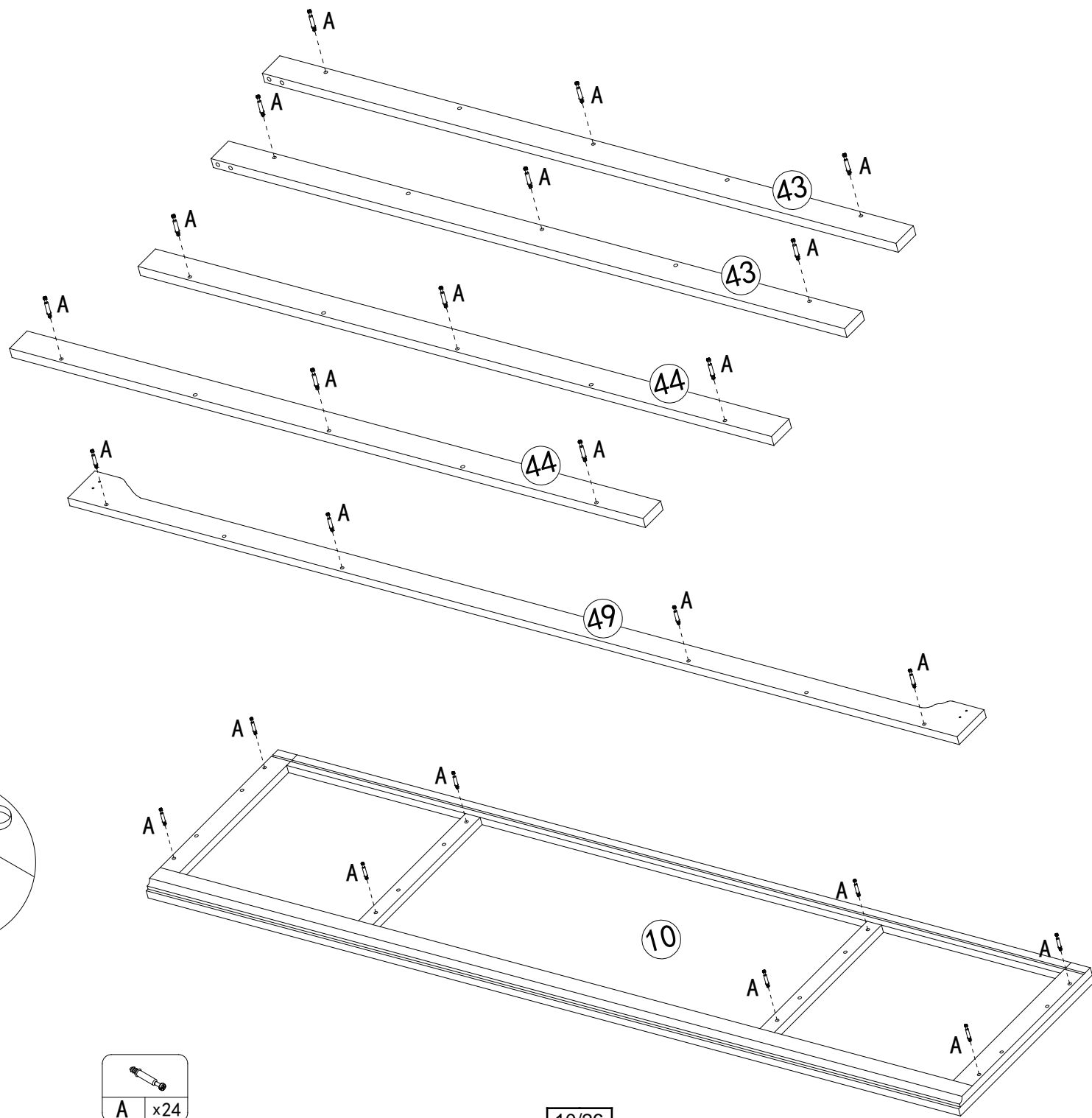
11



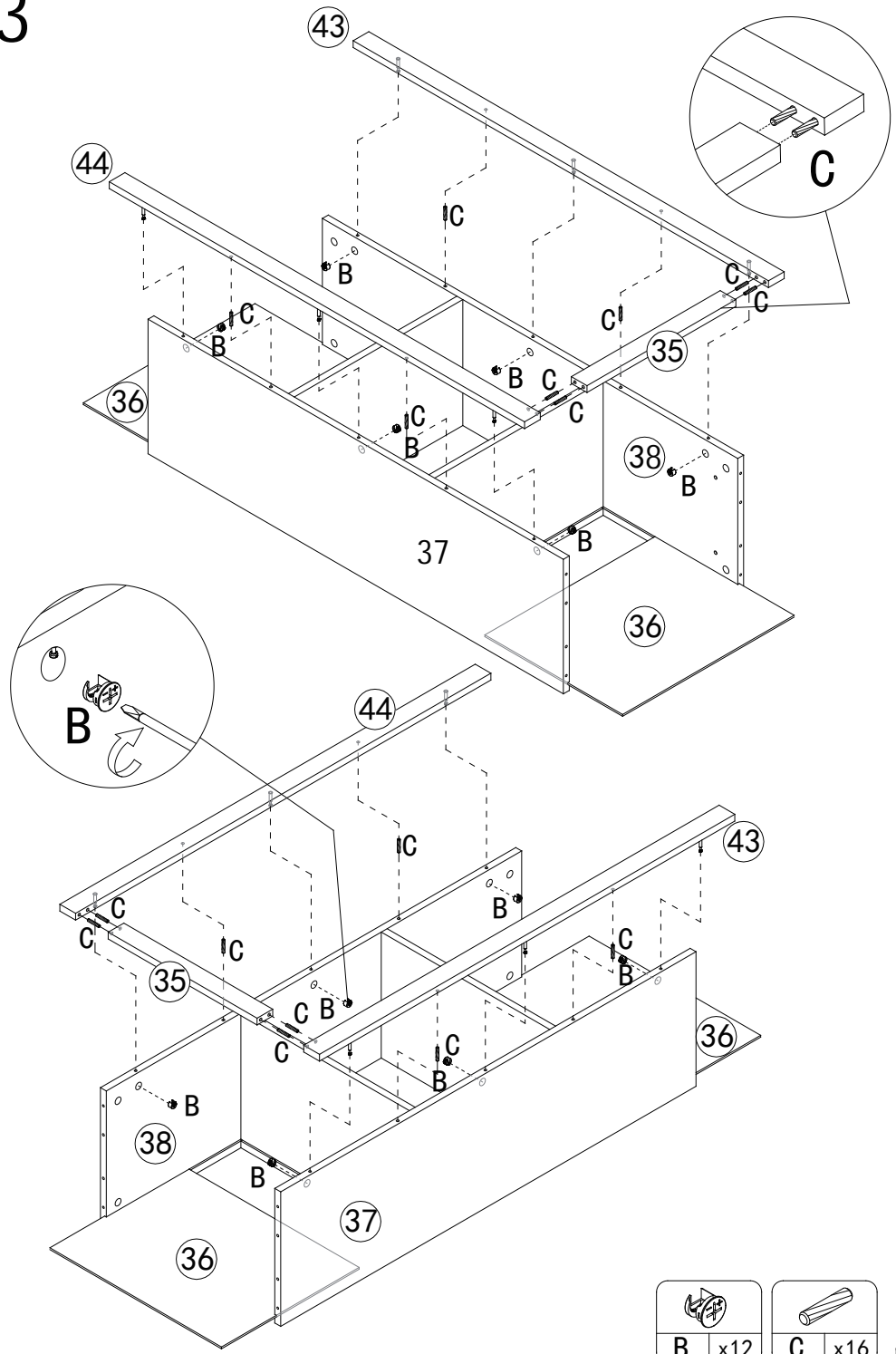
X2



12

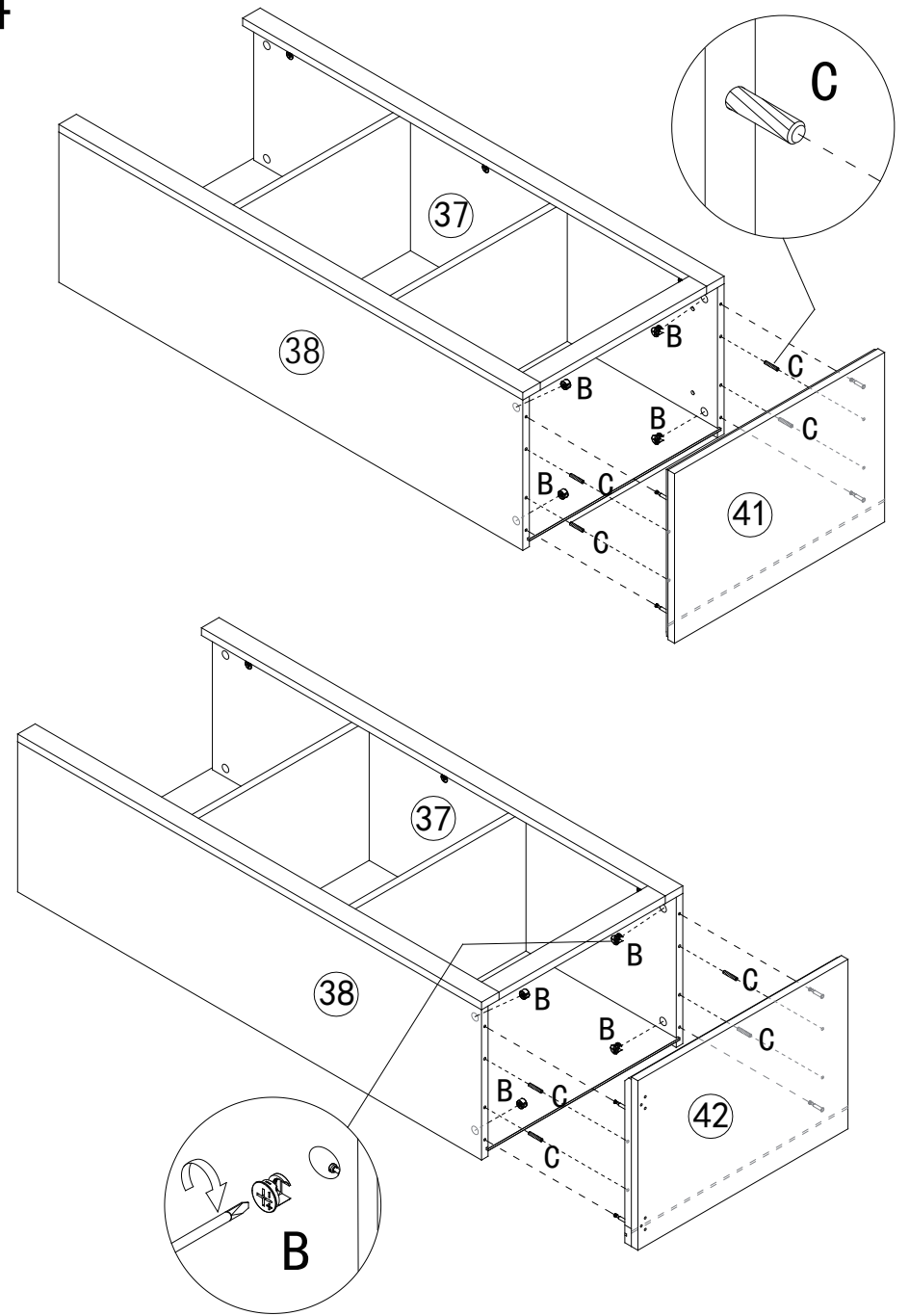


13



- B x12
- C x16

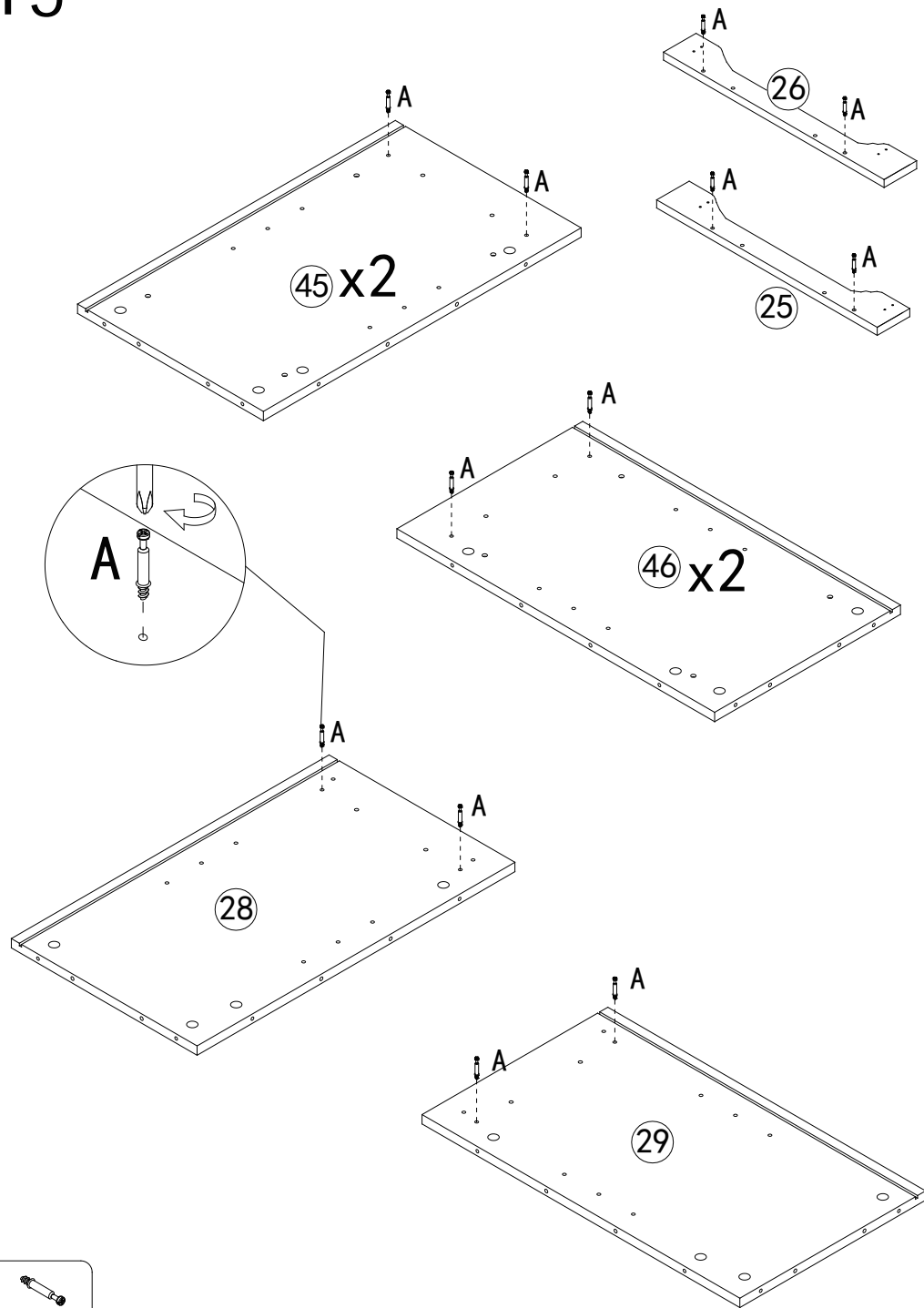
14



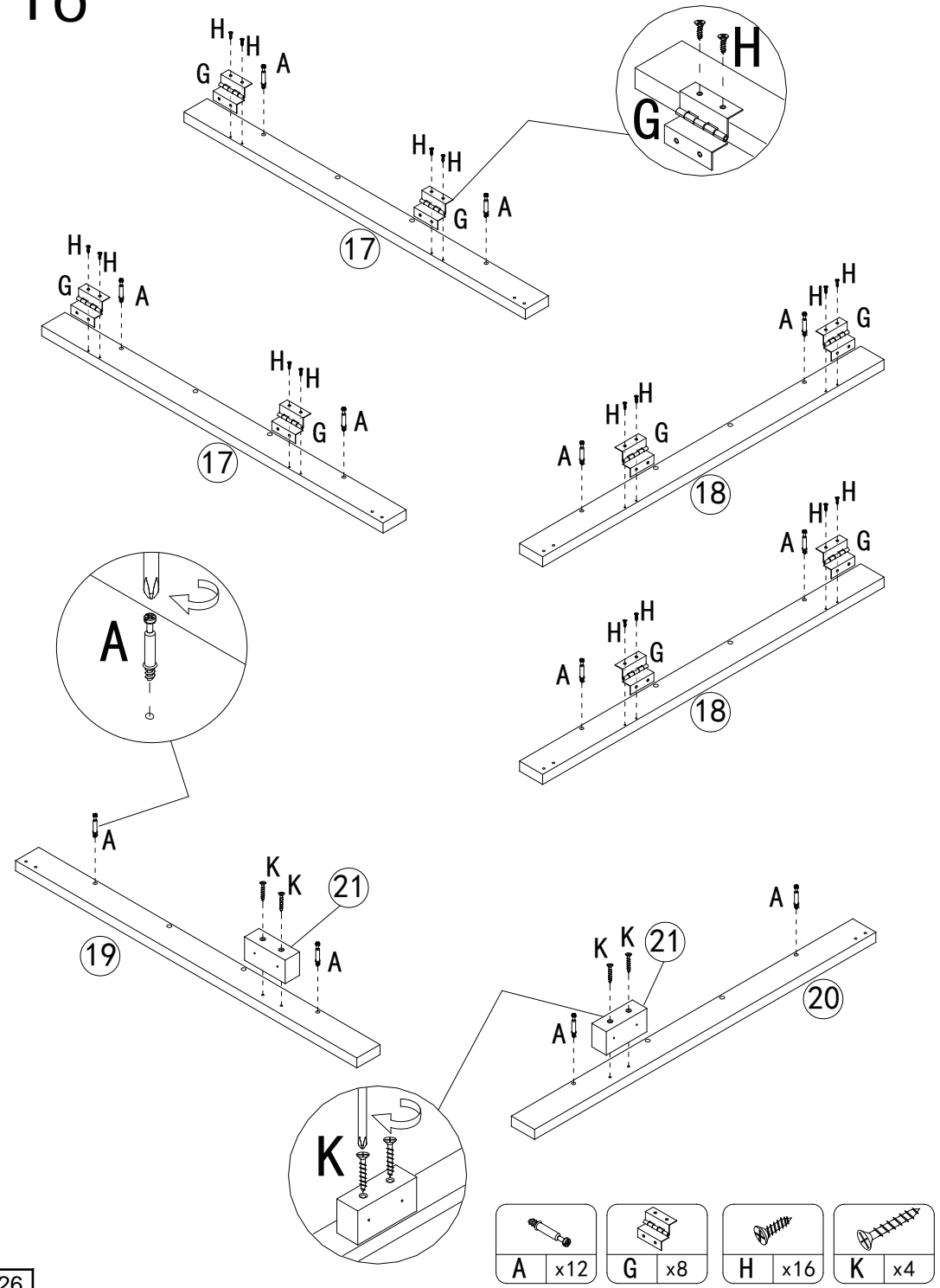
- B x8
- C x8

- B x8
- C x8

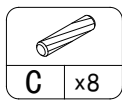
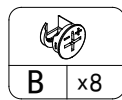
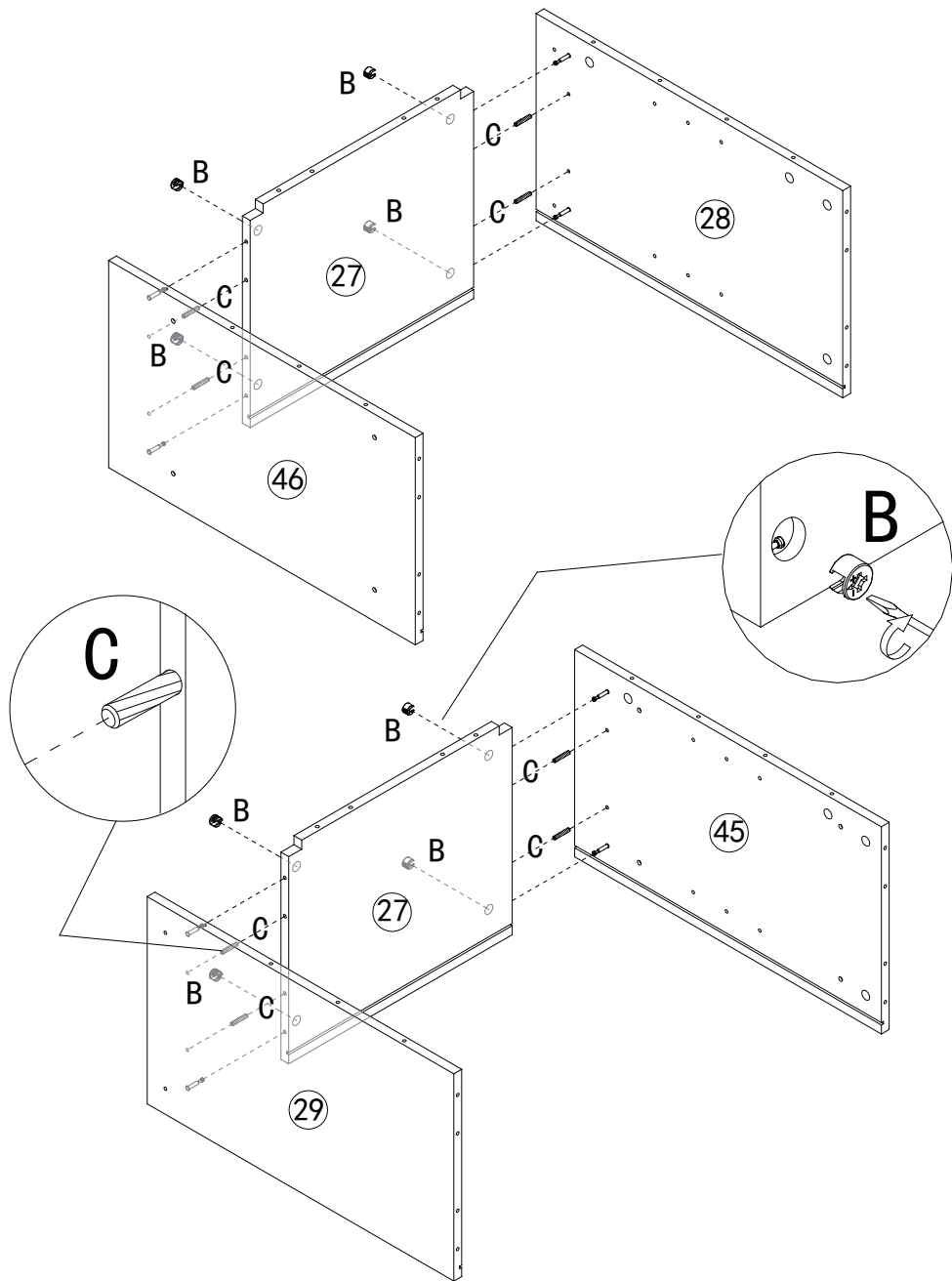
# 15



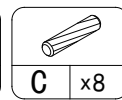
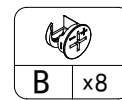
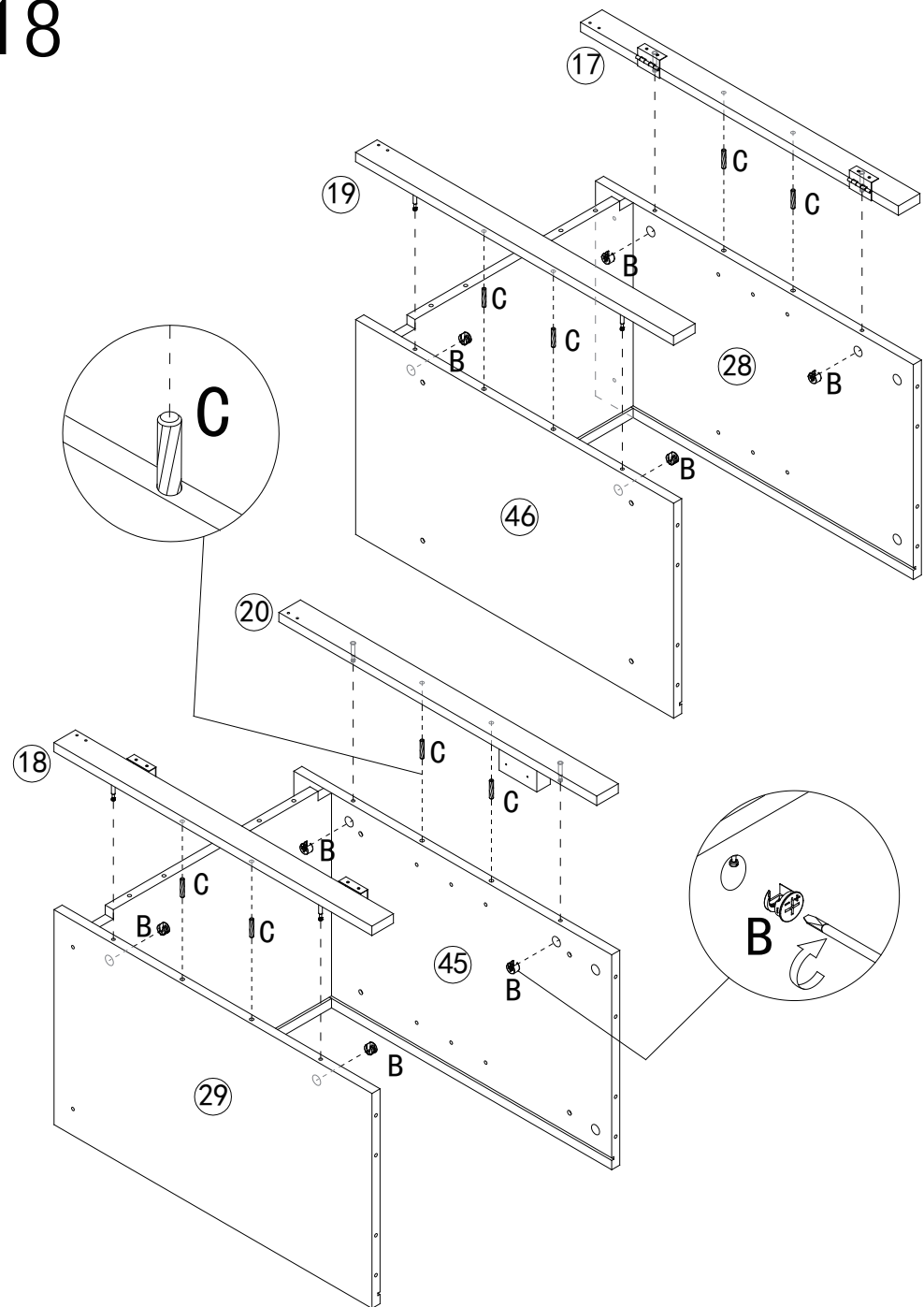
# 16



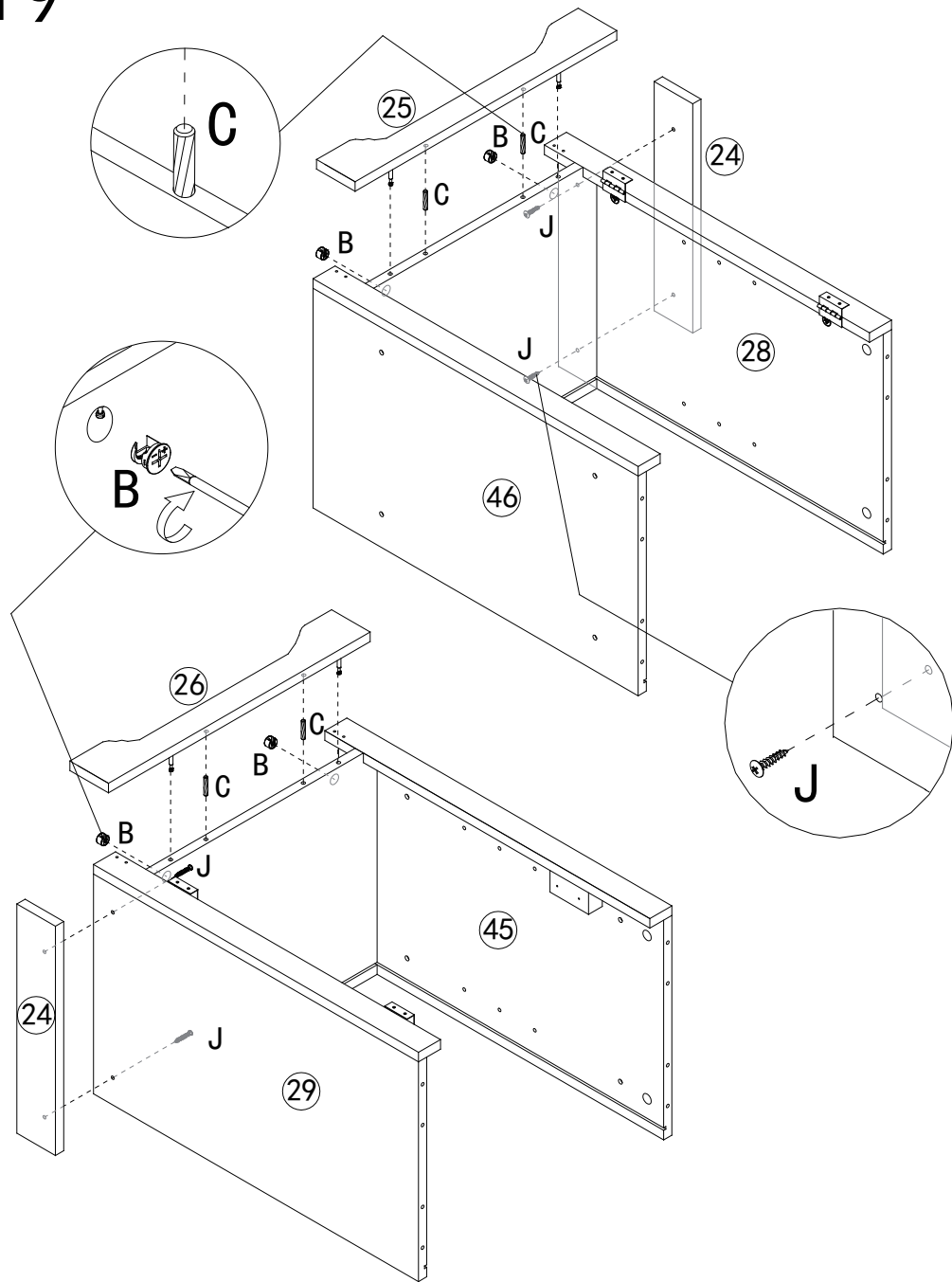
17


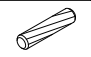
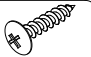


18

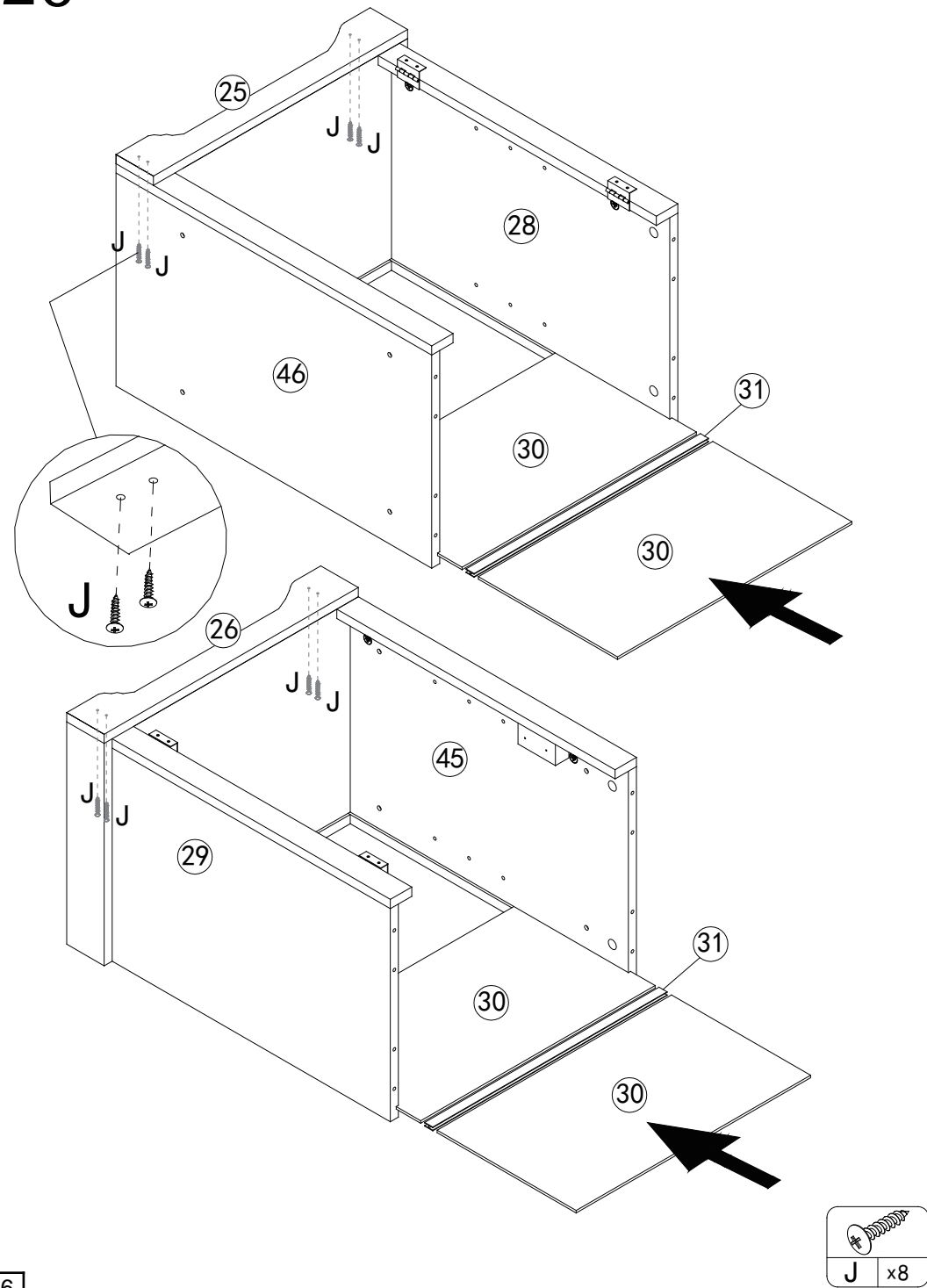


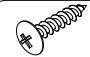
19



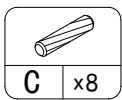
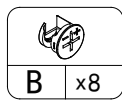
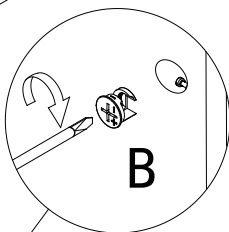
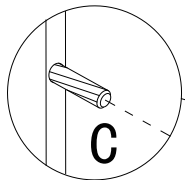
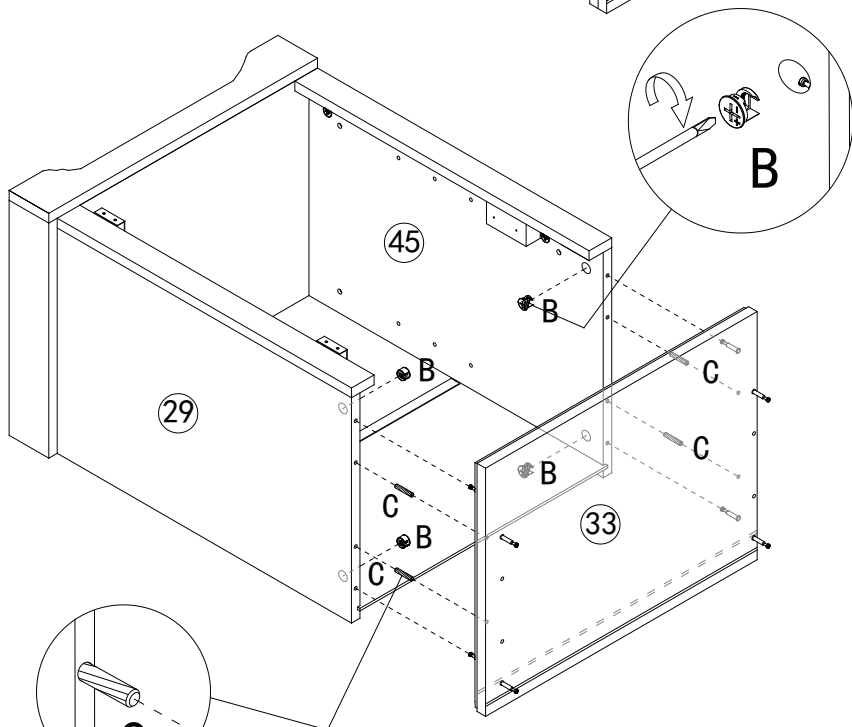
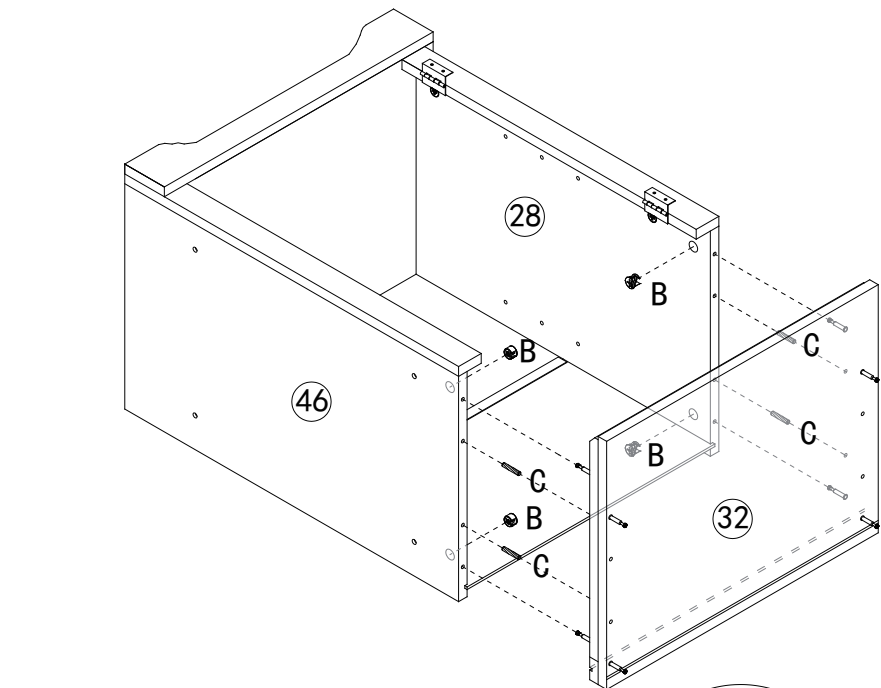
-   
 B x4
-   
 C x4
-   
 J x4

20

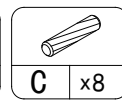
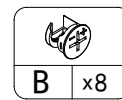
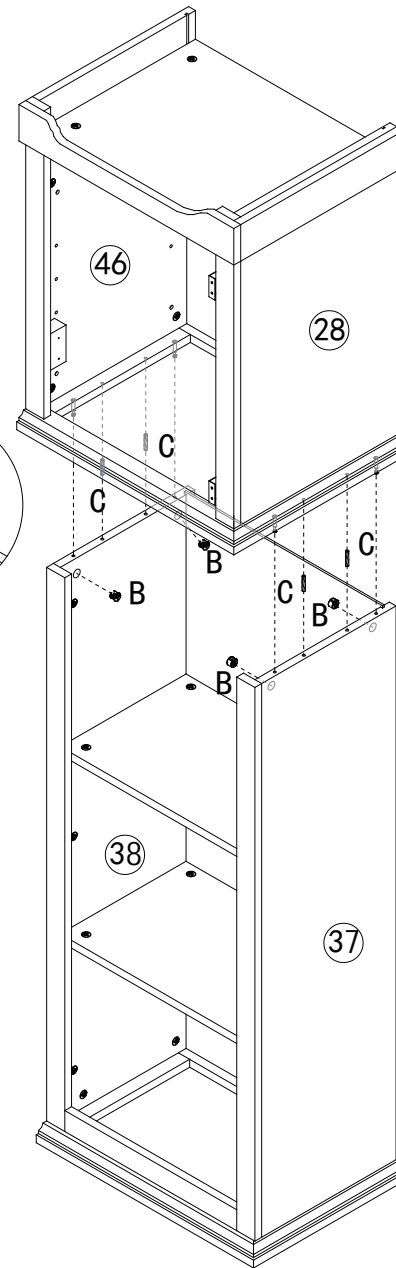
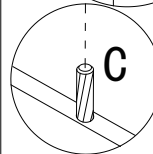
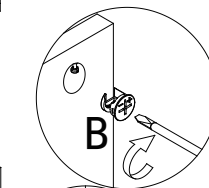
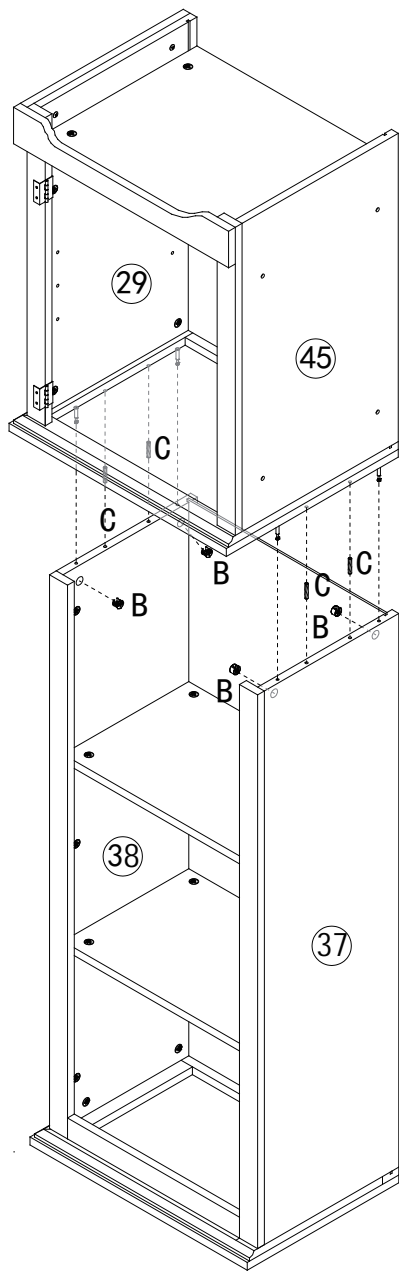


-   
 J x8

21

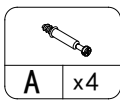
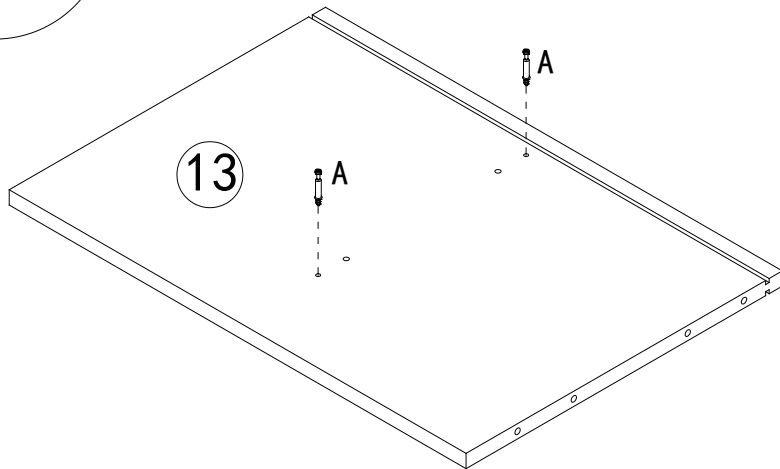
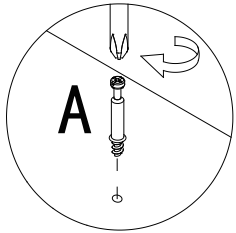
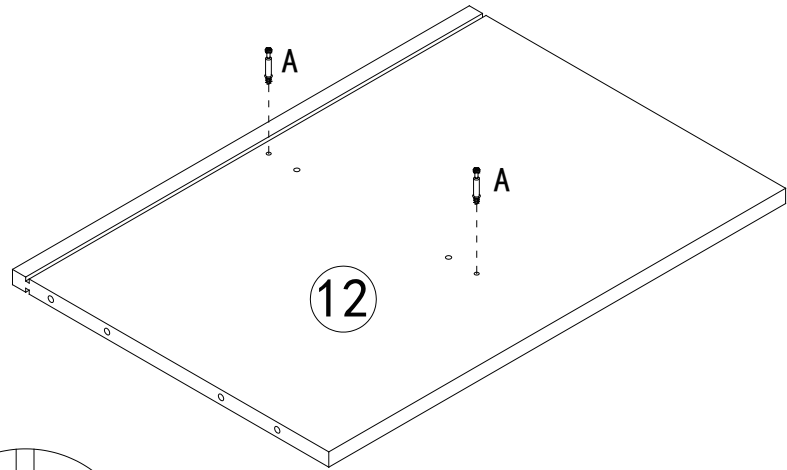


22

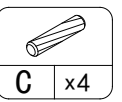
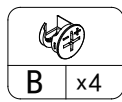
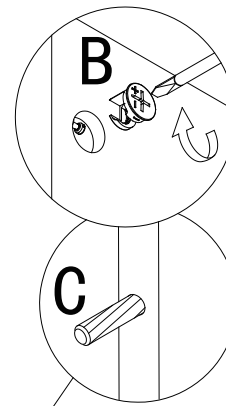
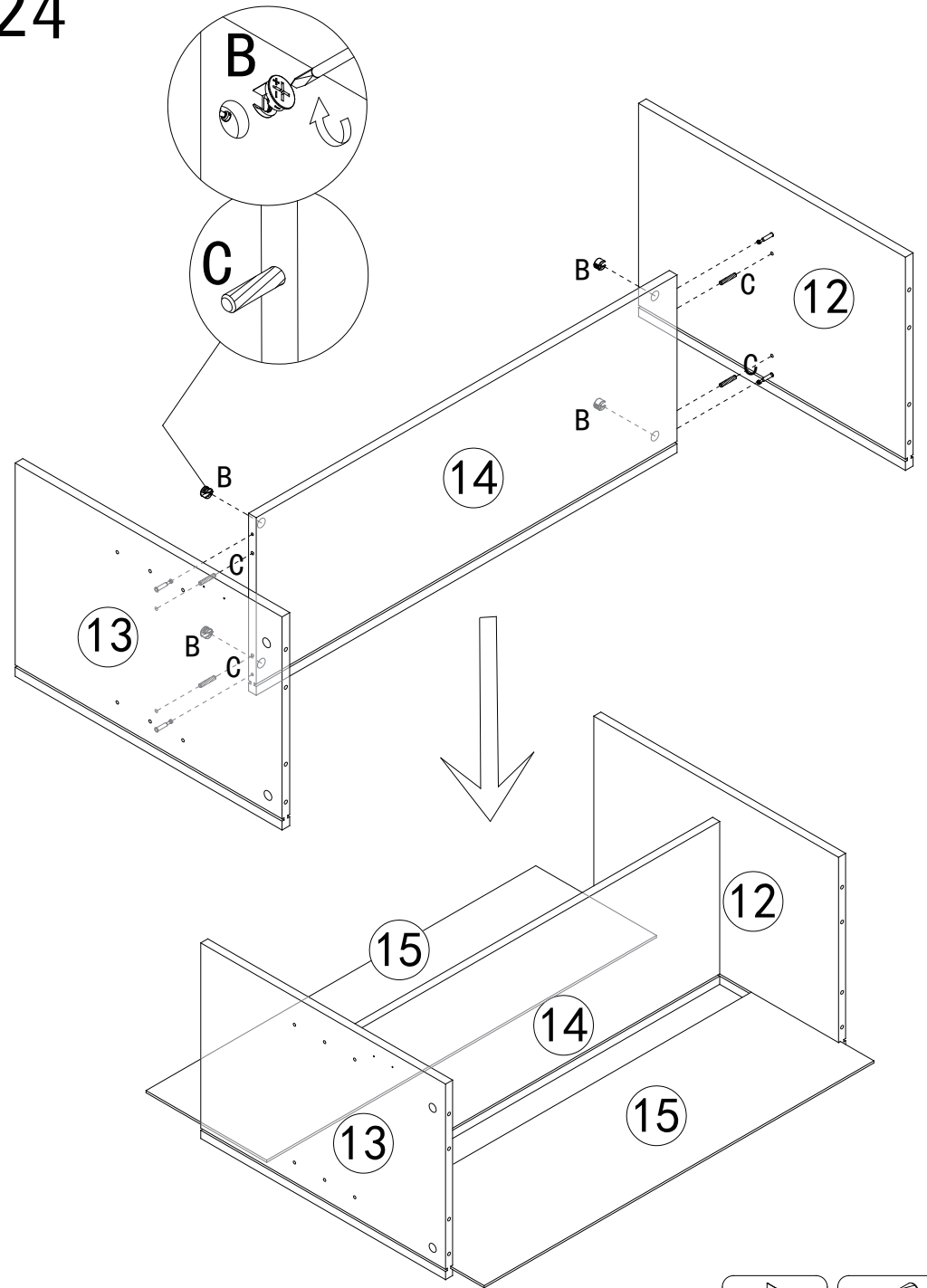




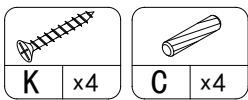
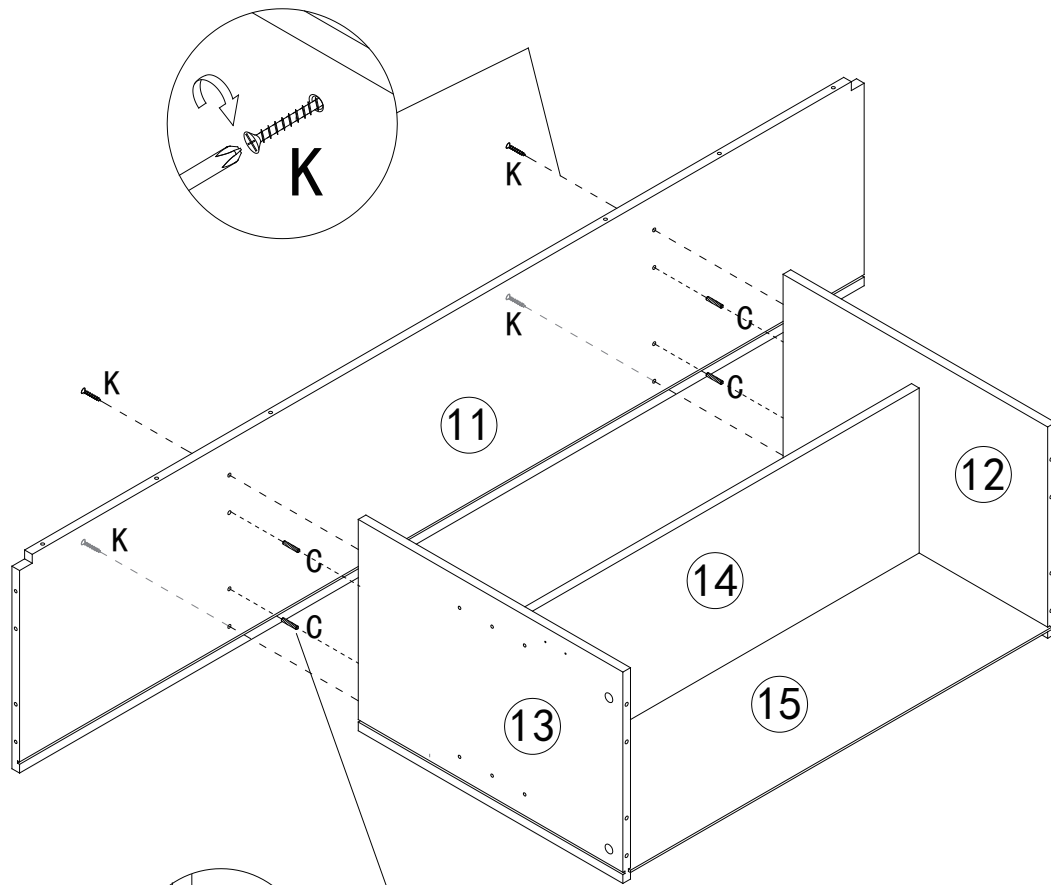
23



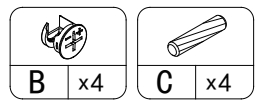
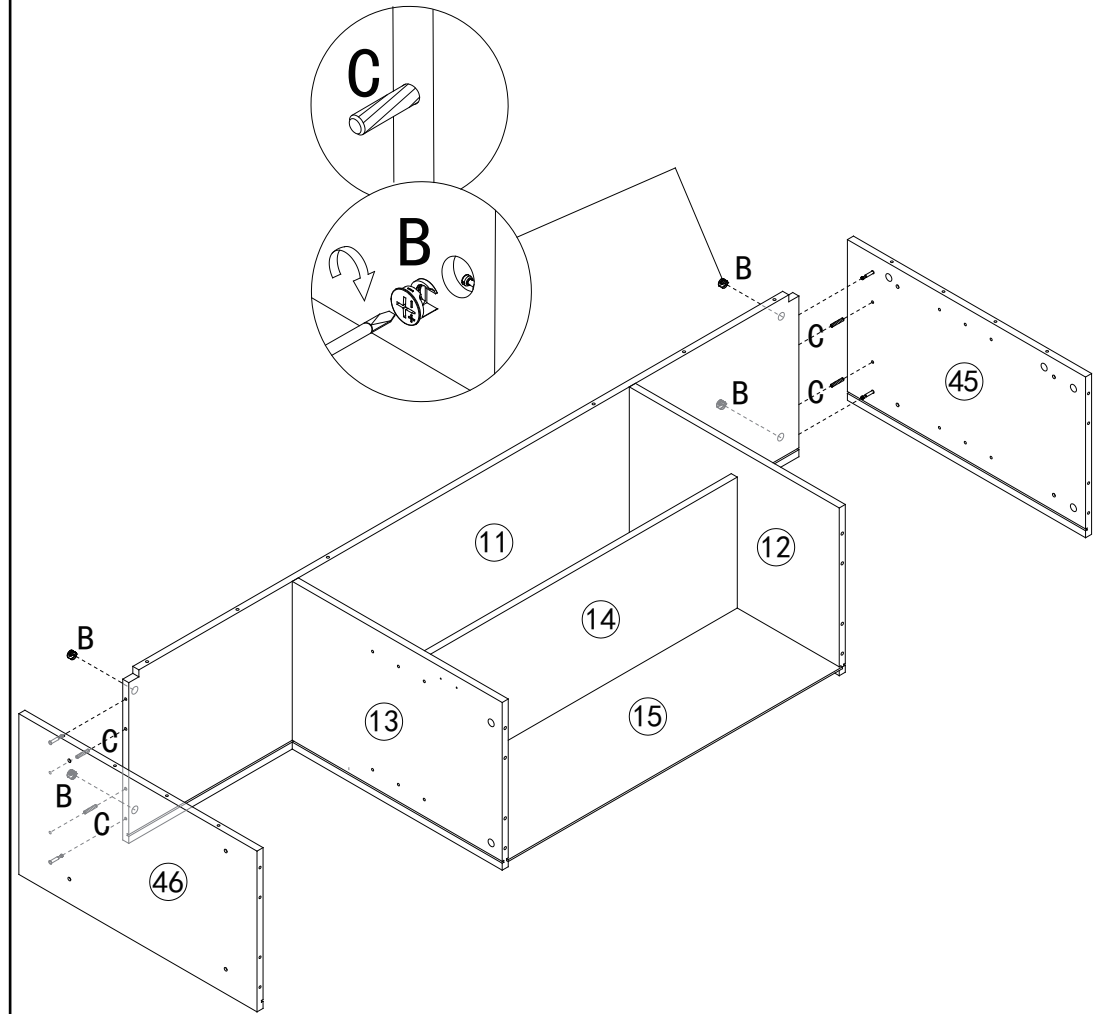
24



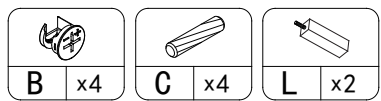
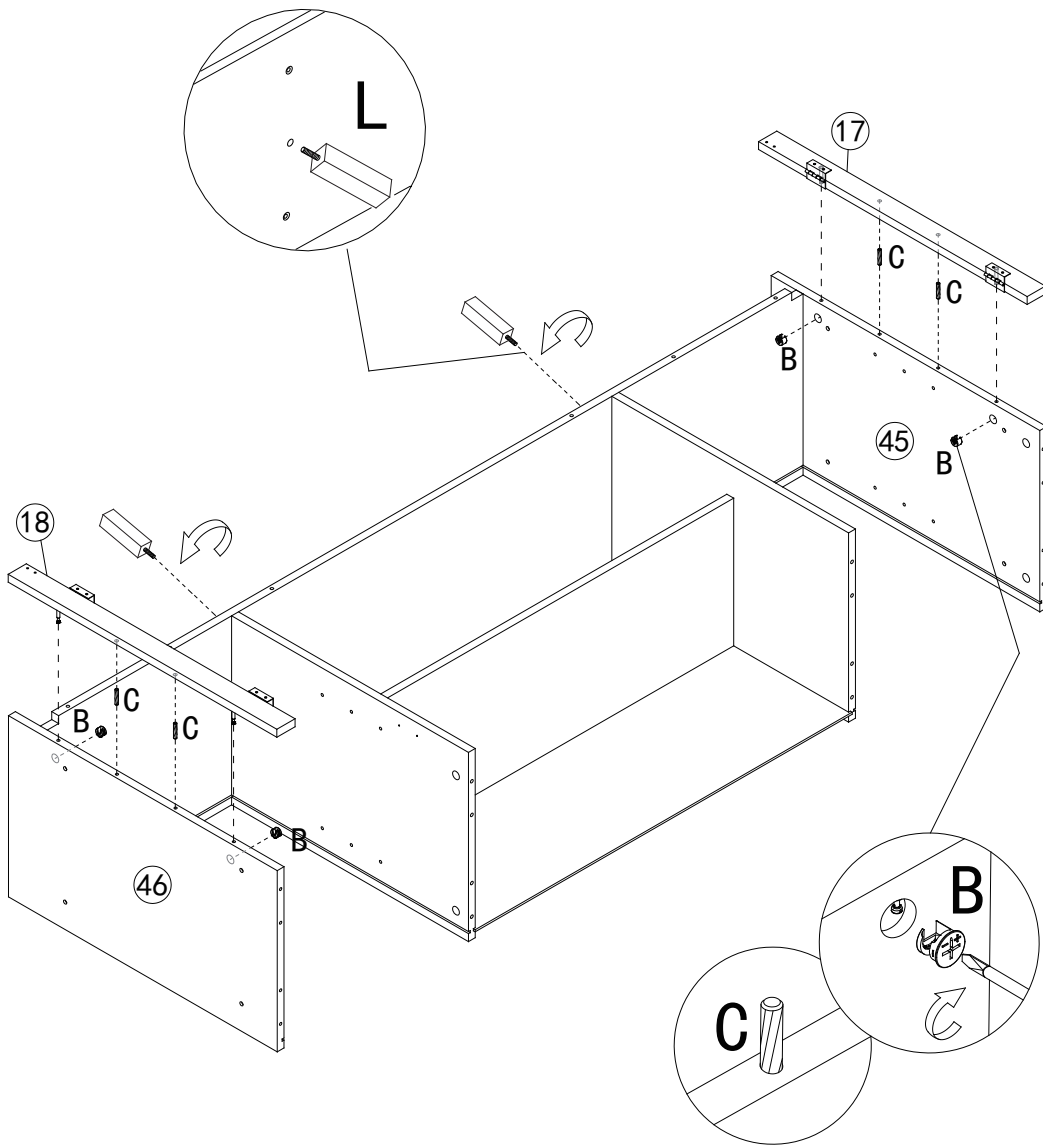
# 25



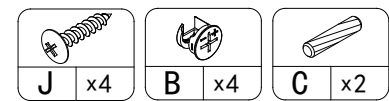
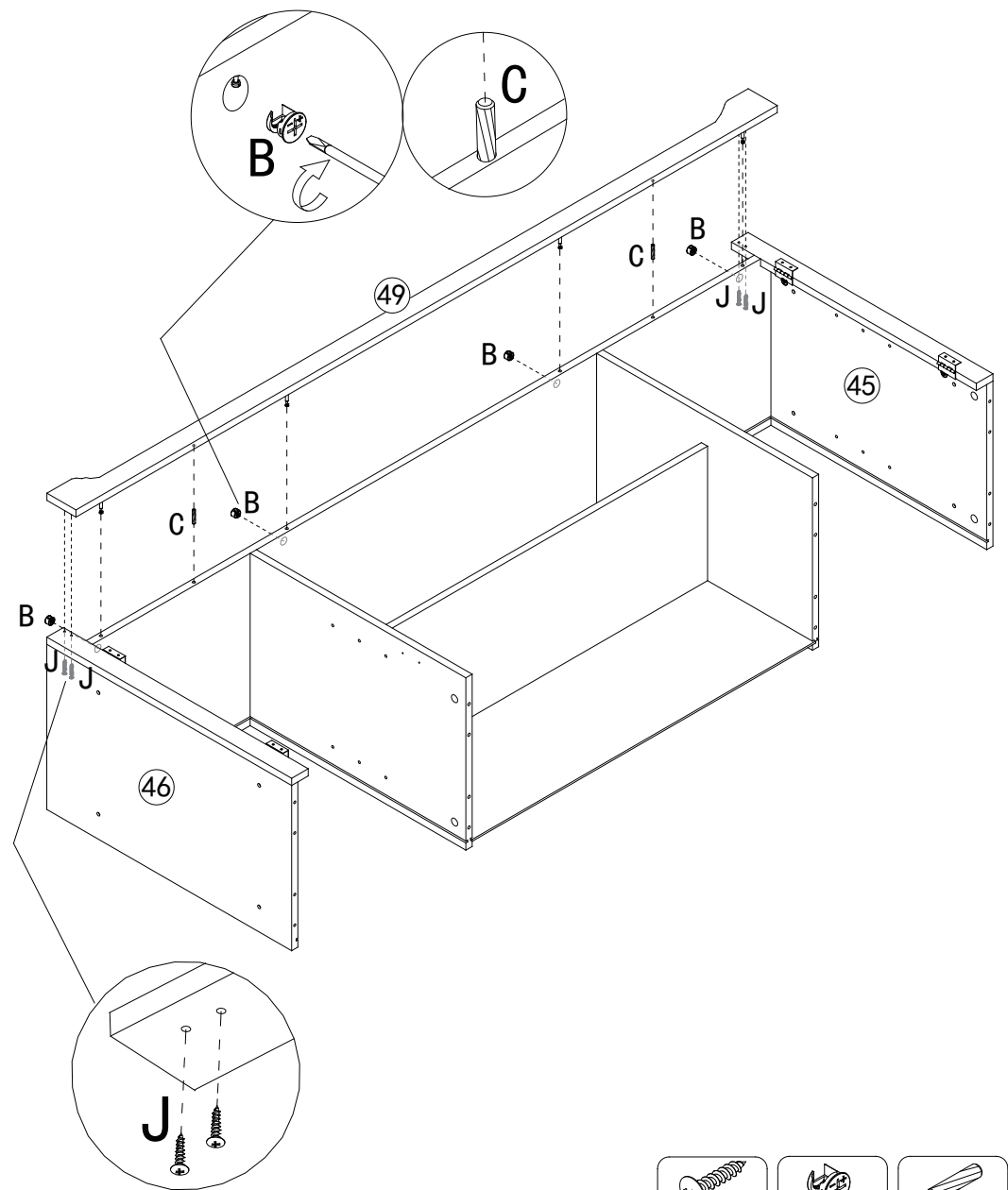
# 26



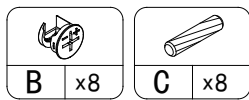
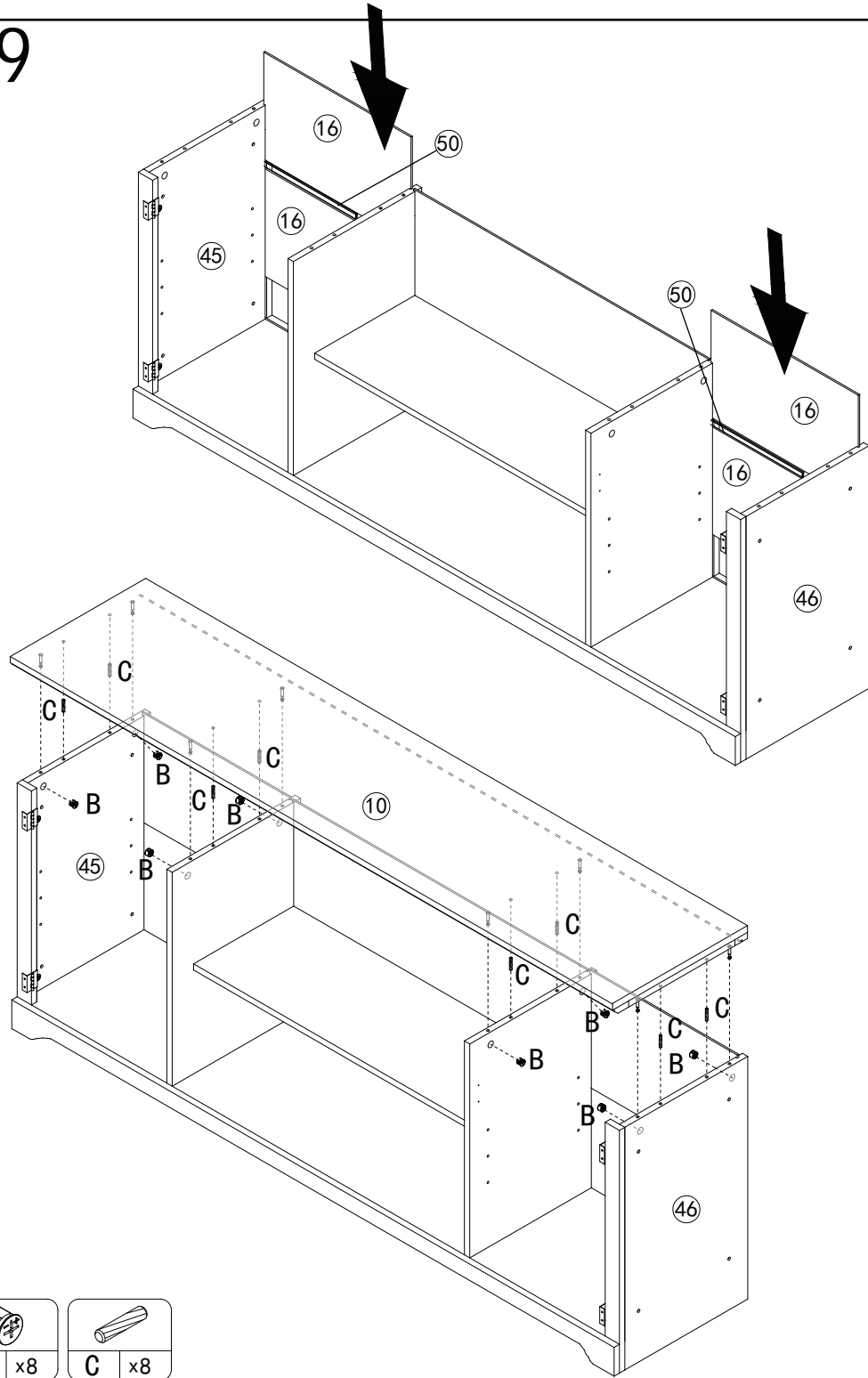
27



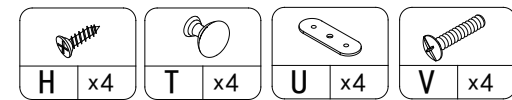
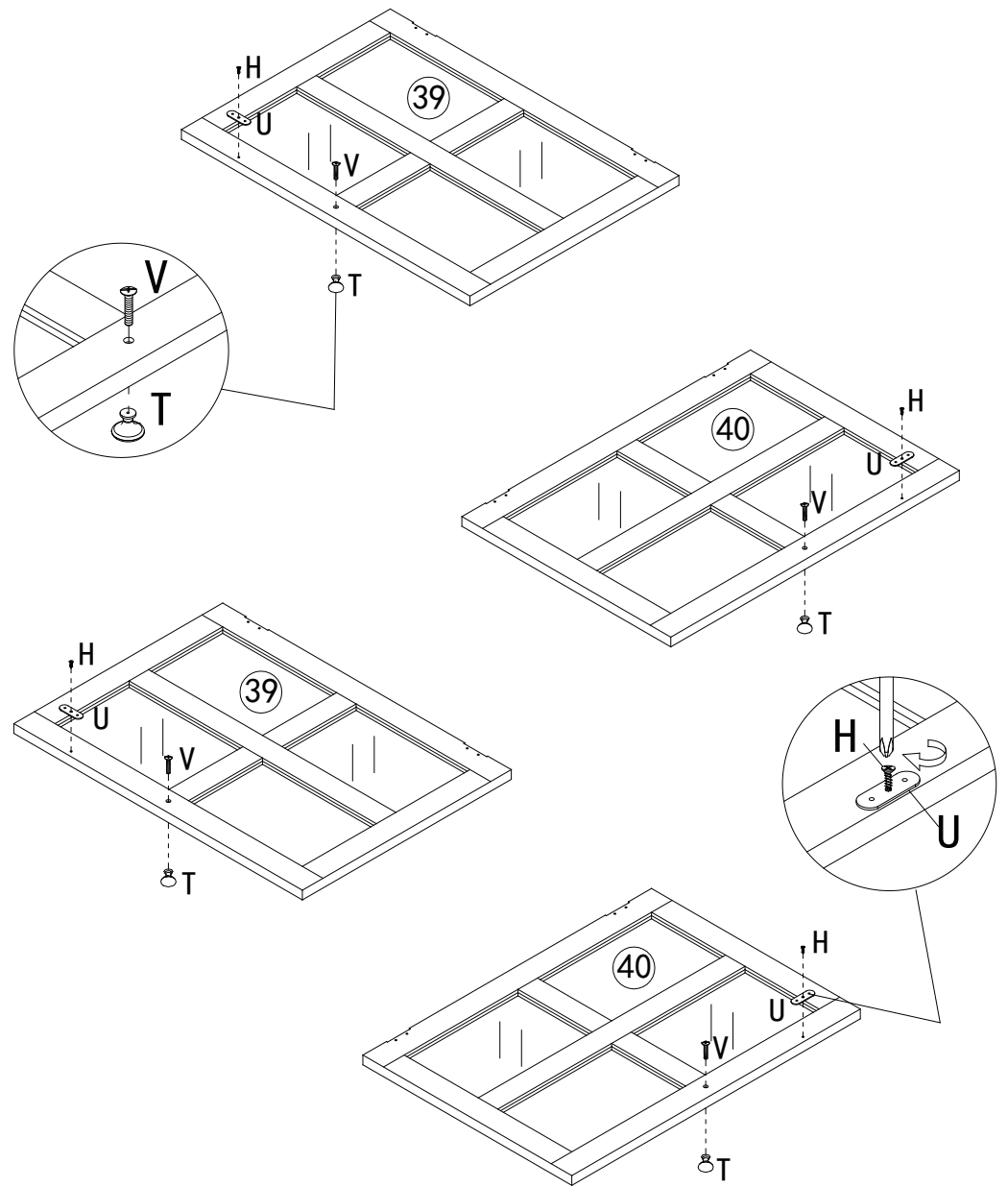
28



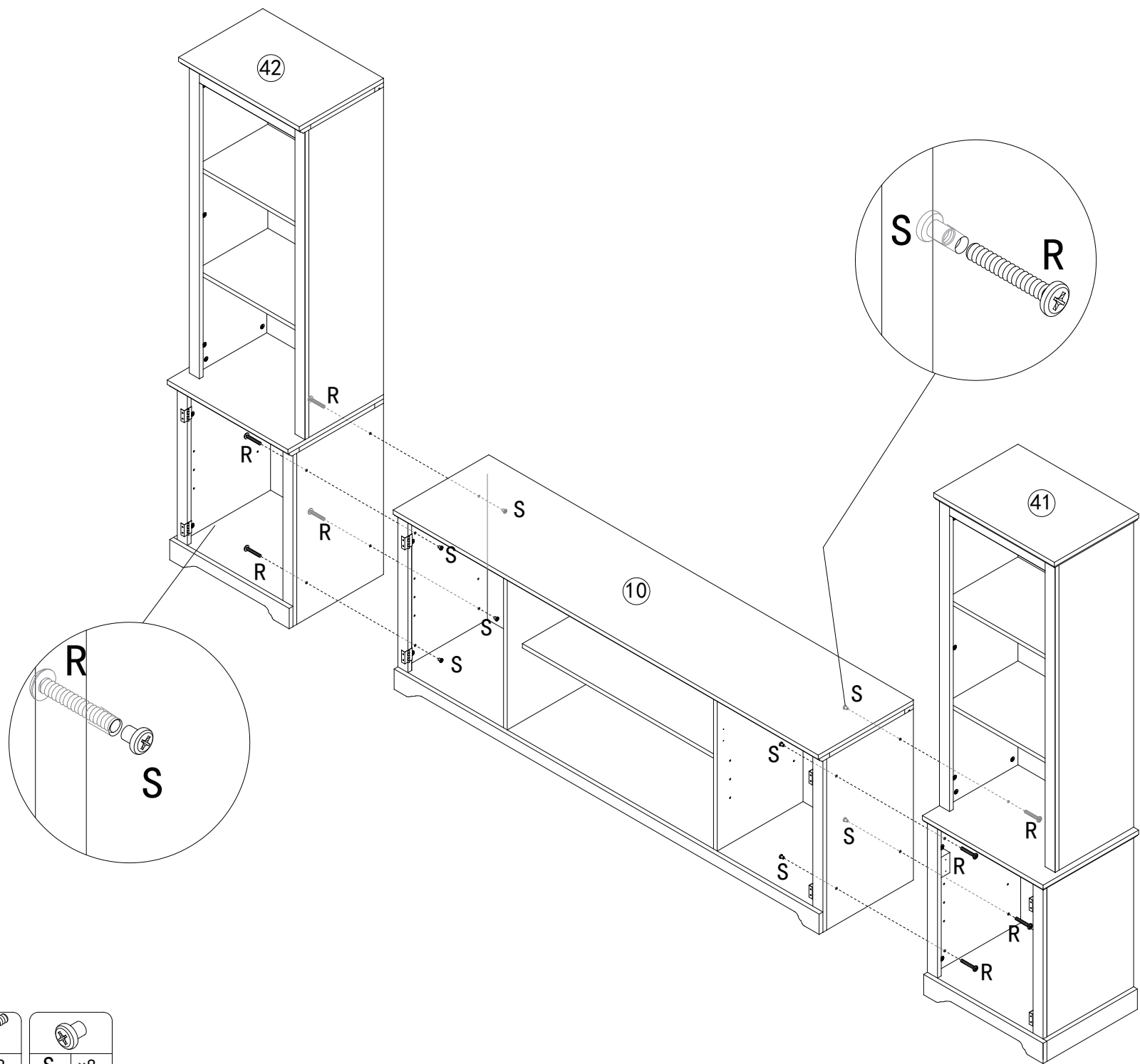
29





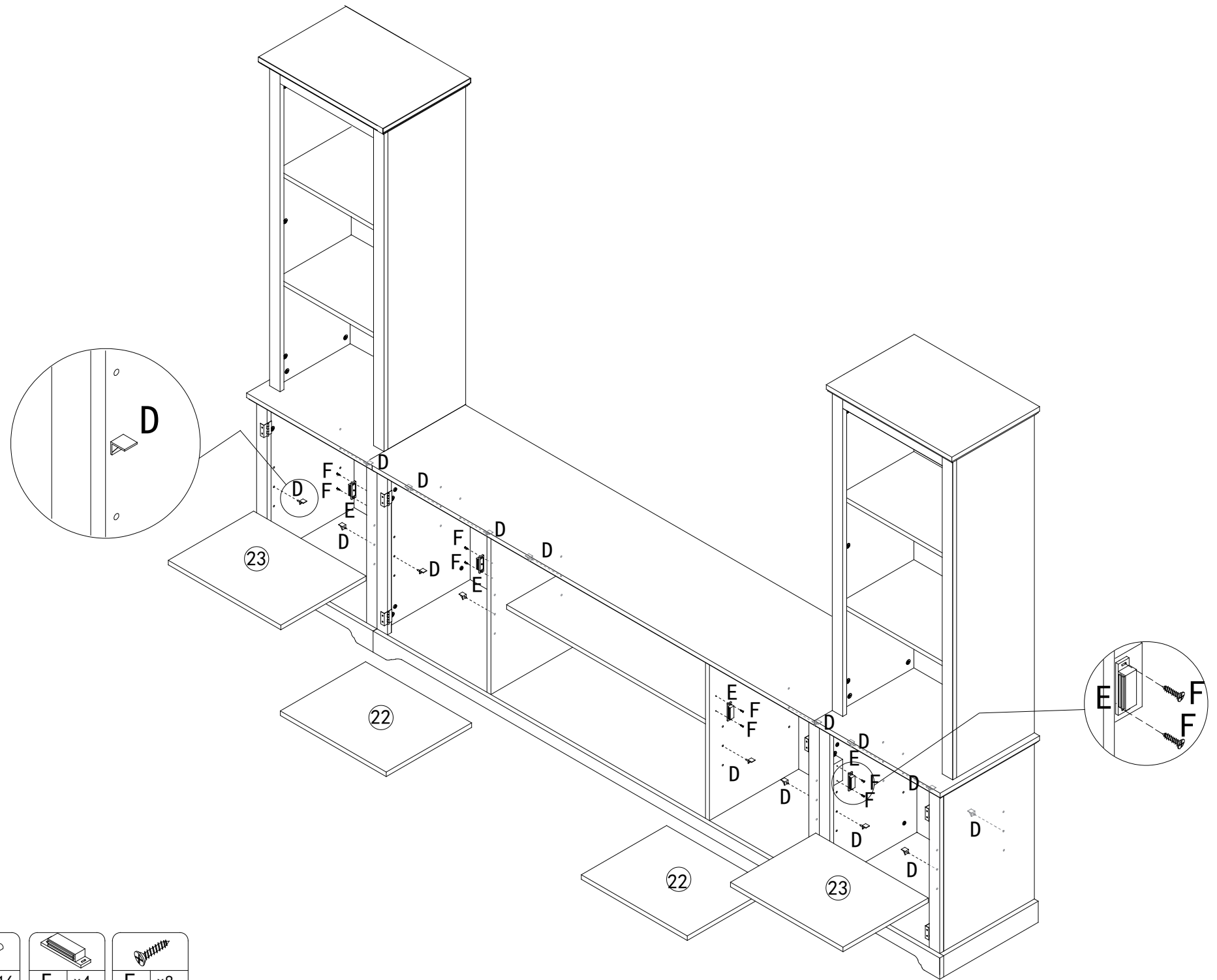
30



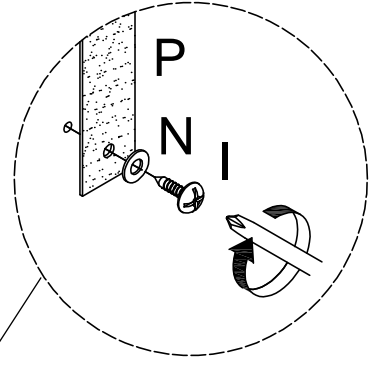
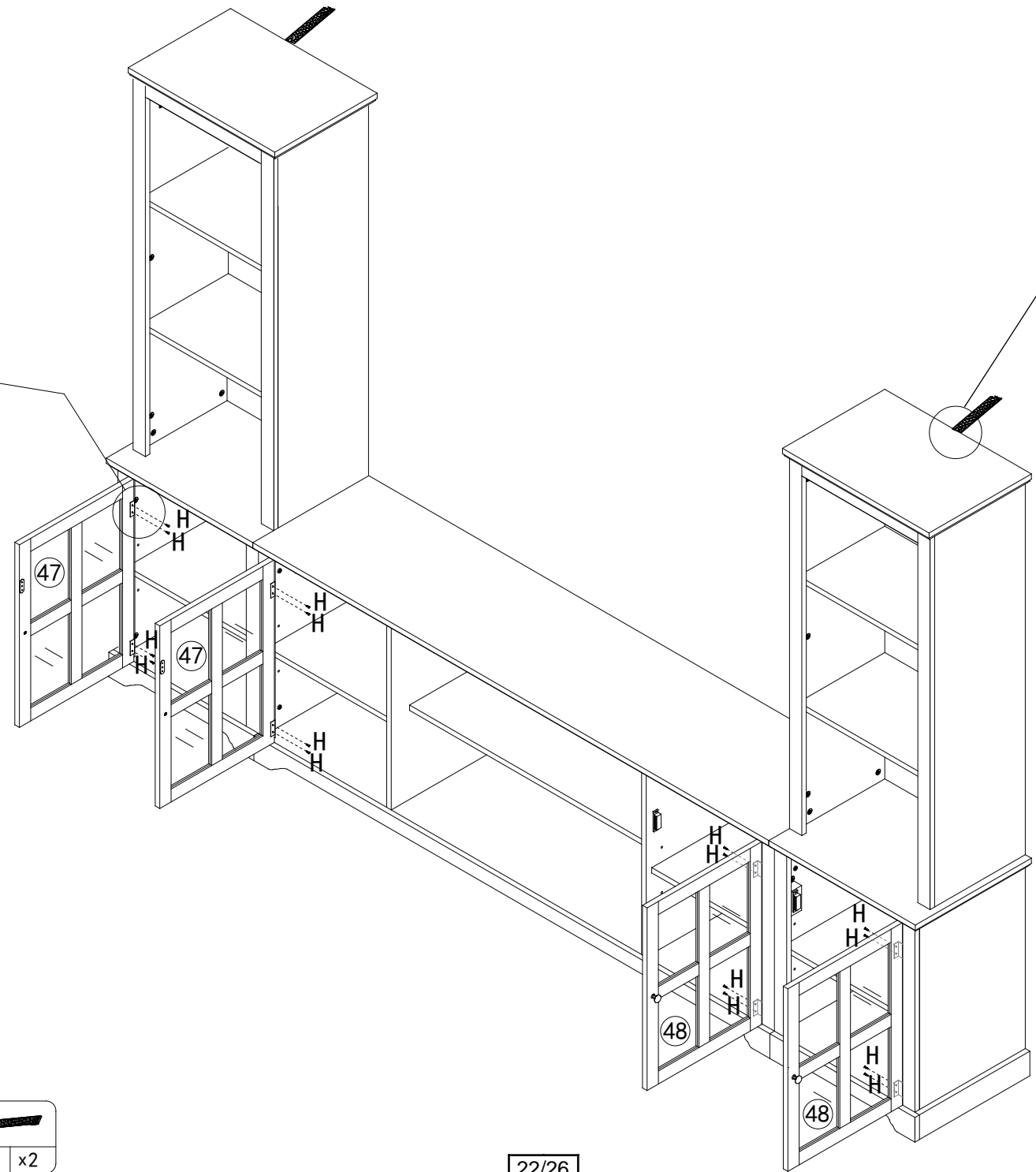
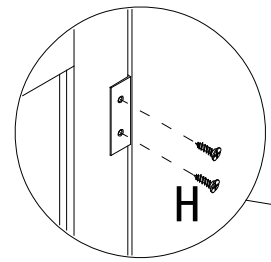
31







- |  |   |
|--|---|
|  |  |
| R x8   | S x8  |



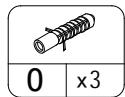
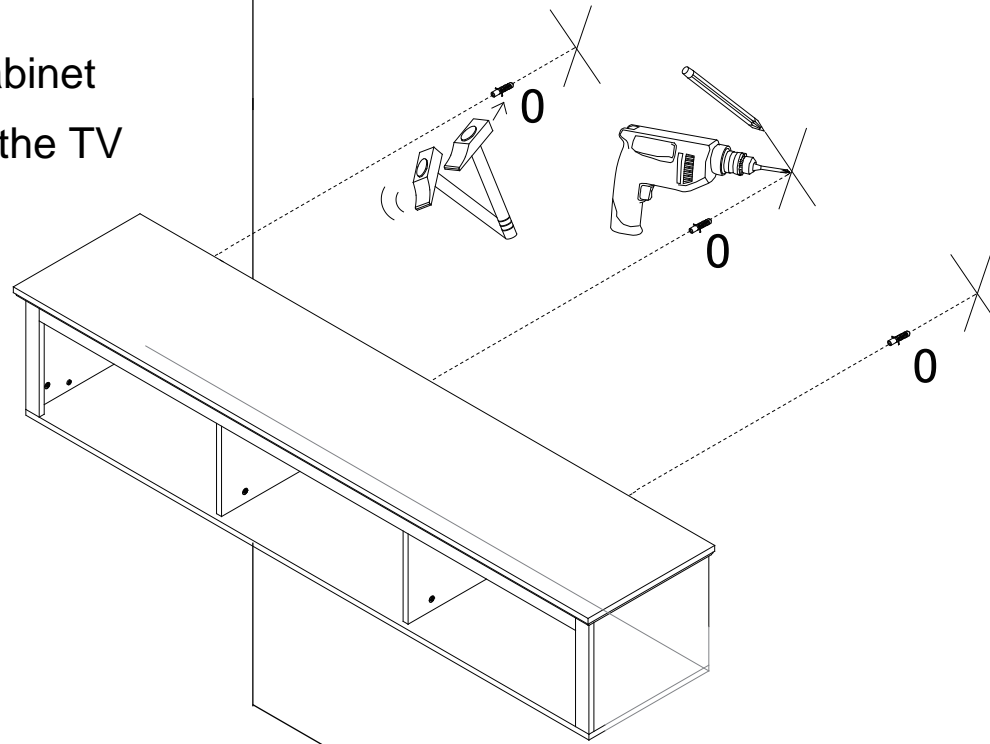
- |       |      |      |
|-------|------|------|
|       |      |      |
| D x16 | E x4 | F x8 |



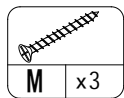
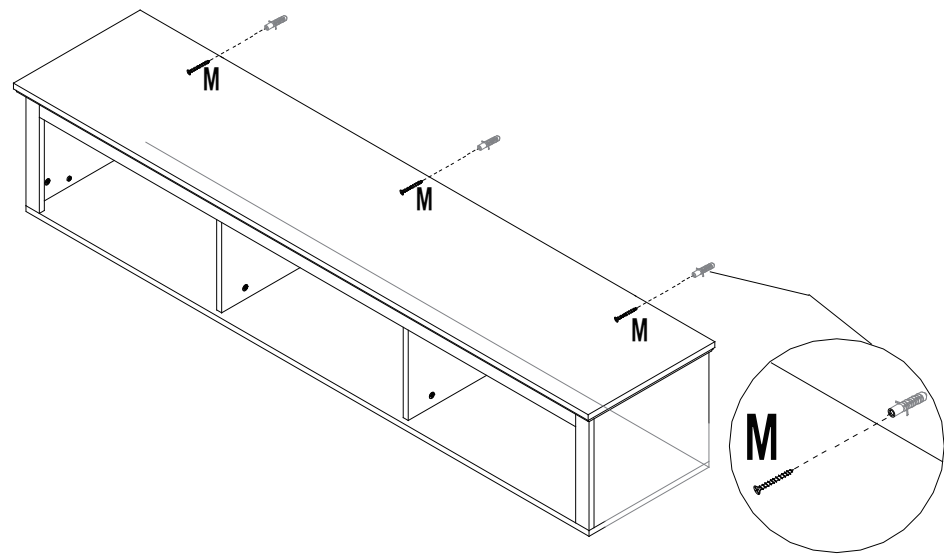
			
H x16	I x2	N x2	P x2

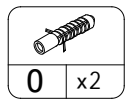
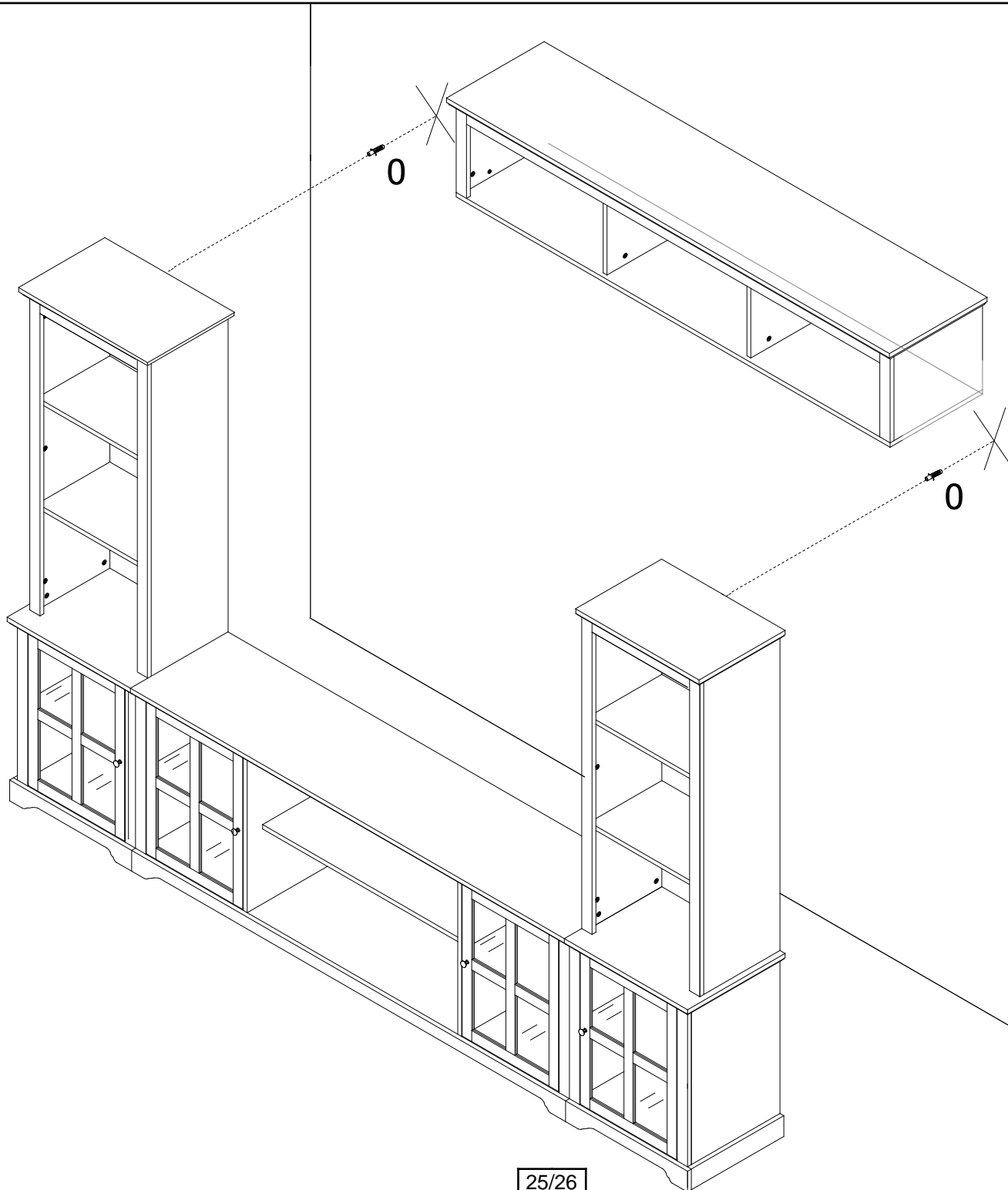
# 34

Please install the wall cabinet according to the height of the TV

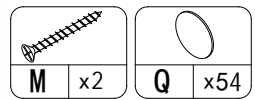
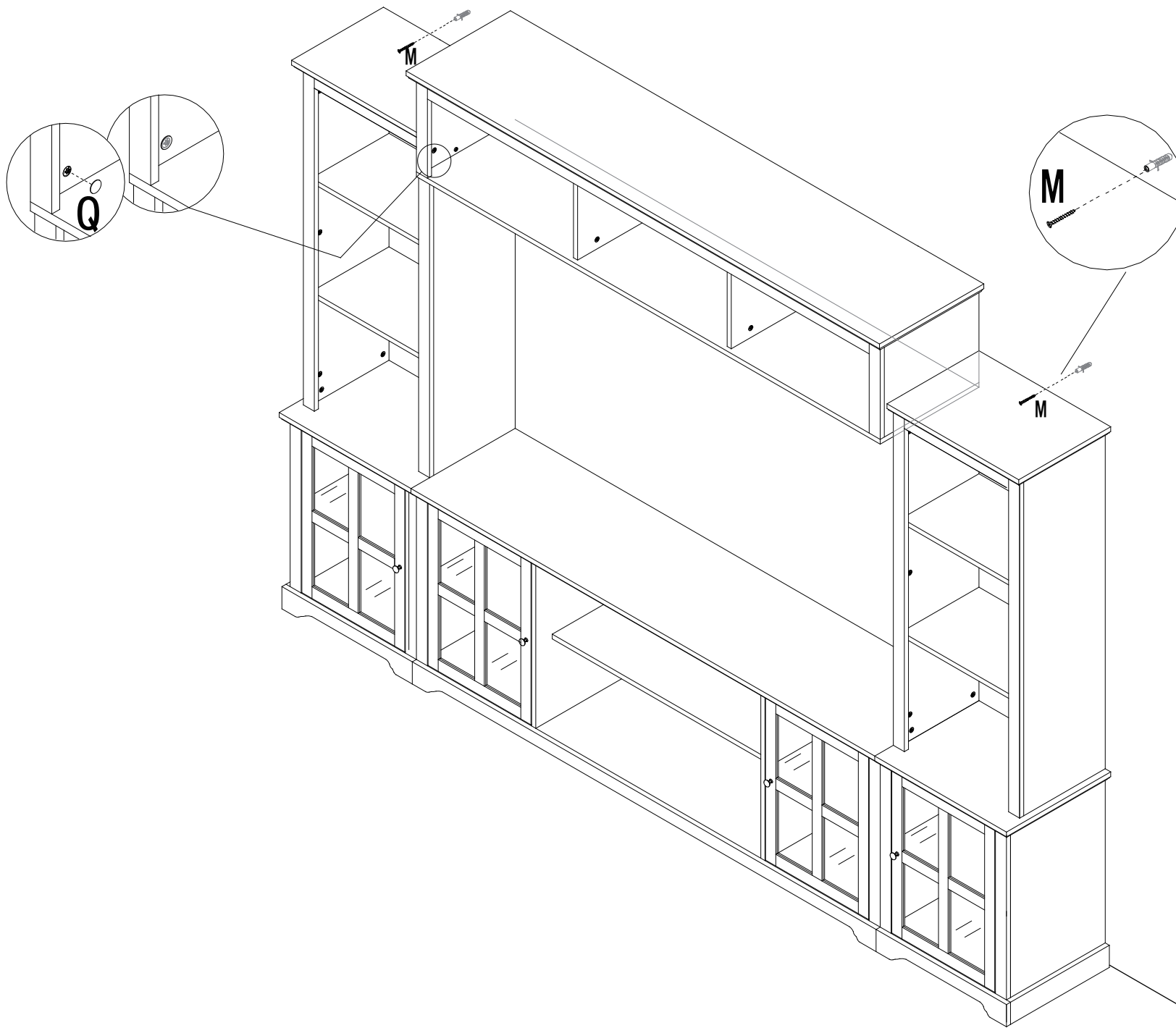








37



DONE

