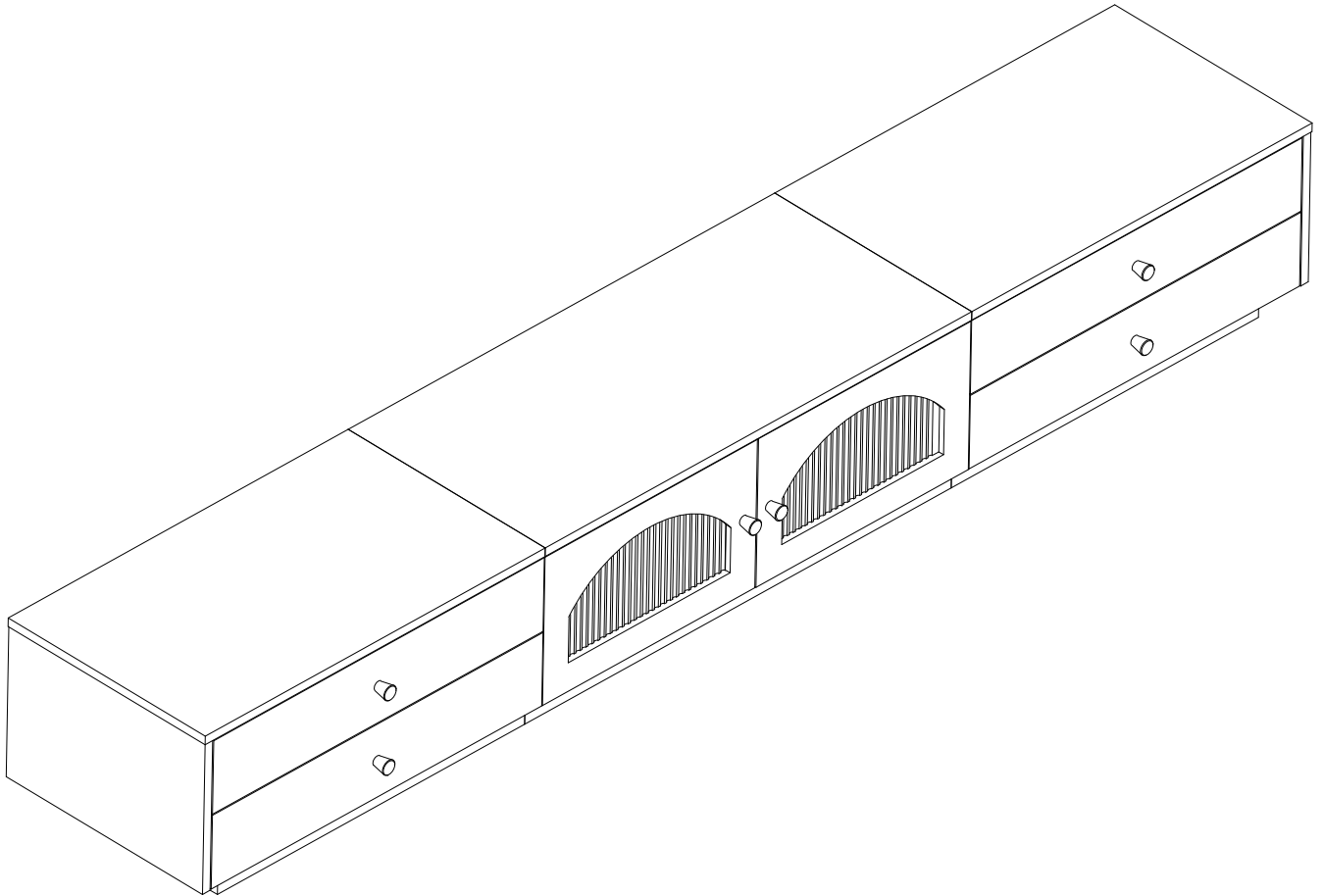


TV Stand

Assembly Instructions - Please keep for future reference



Dimensions

Width-86.6inch

Depth-15.7inch

Height-12.8inch

Important – Please read these instructions fully before starting assembly



Safety and Care Advice

Important – Please read these instructions fully before starting assembly

- Check you have all the components and tools listed on the following pages.
- Remove all fittings from the plastic bags and separate them into their groups.
- Keep children and animals away from the work area, small parts could choke if swallowed.
- Make sure you have enough space to layout the parts before starting.

- During assembly do not stand or put weight on the product, this could cause damage.
- Assemble the item as close to its final position (in the same room) as possible.
- Assemble on a soft level surface to avoid damaging the unit or your floor.
- Parts of the assembly will be easier with 2 people.



power drill is set on a low torque setting.

- To reduce the likelihood of damaging your product please ensure that your

Care and maintenance

- Only clean using a damp cloth and mild detergent, do not use bleach or abrasive cleaners.
- From time to time check that there are no loose screws on this unit.
- This product should not be discarded with household waste. Take to your local authority waste disposal centre.

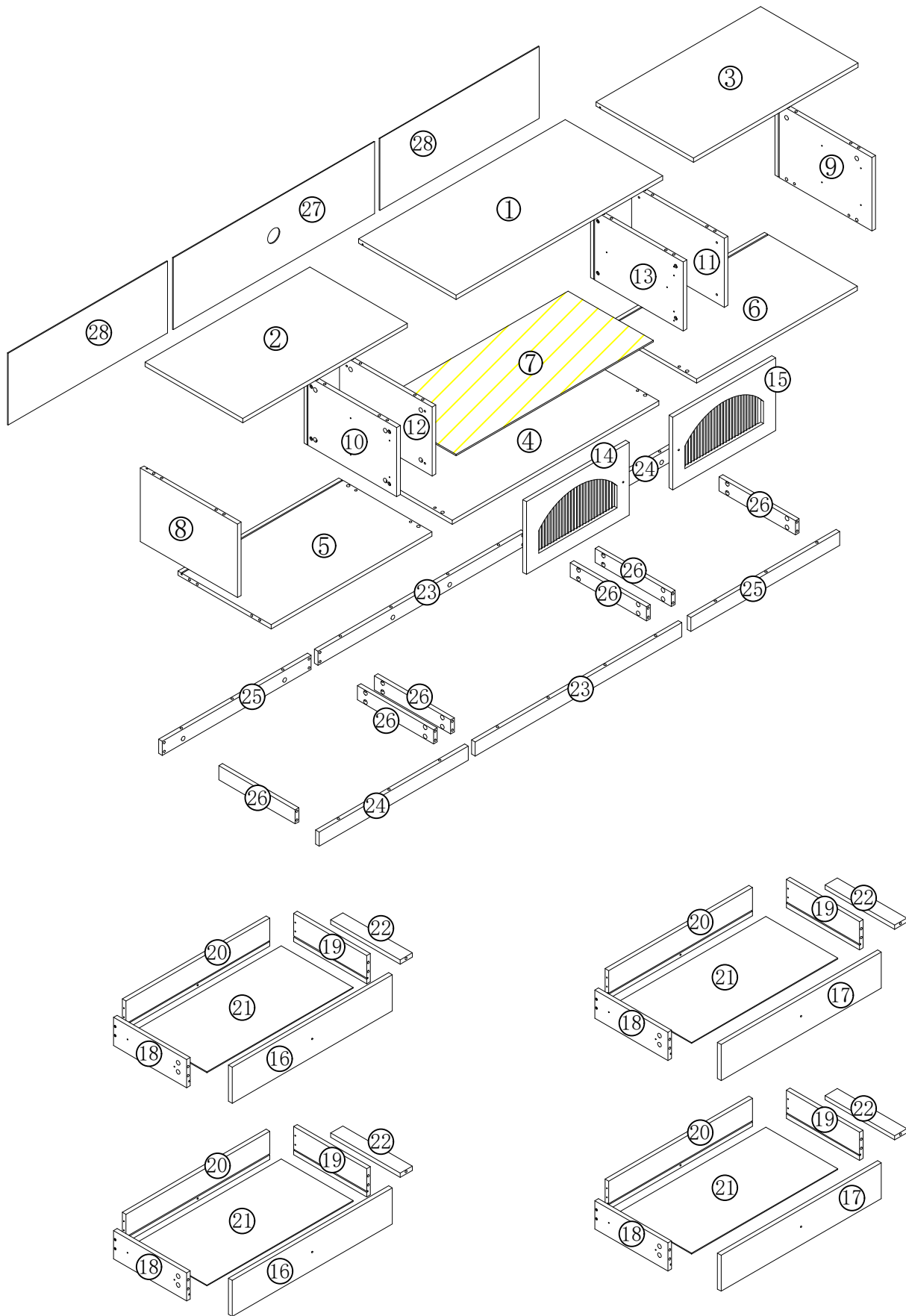
Handy Hints

- Assemble all parts and bolts loosely during assembly, only once the product is complete should you fully tighten the bolts
- Regularly check and ensure That all bolts and fittings are tightend properly.

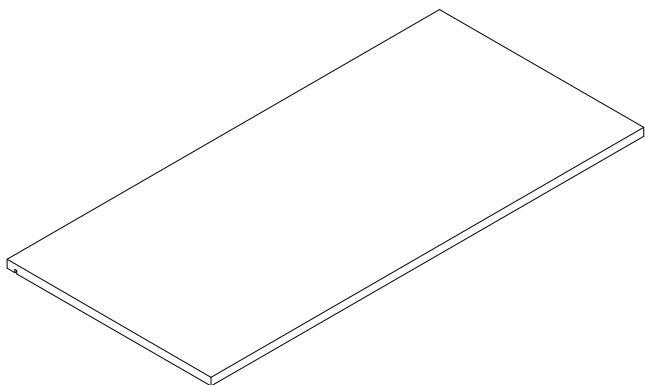
WARNING
In order to help prevent overturning – please follow these instructions

To help prevent product toppling over please follow the below steps:-

- Use the anti tip stap or wall fixing method provided (if applicable)
- Do not allow children to climb or hang on the furniture
- Do not open more than one drawer at a time
- Do not place heavy items in the top drawers
- Do not place heavy items on top of the furniture, unless the furniture has been designed for this purpose

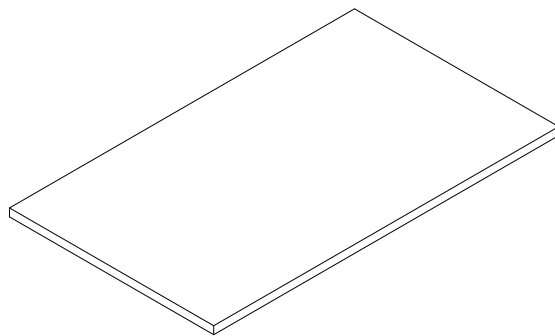


①



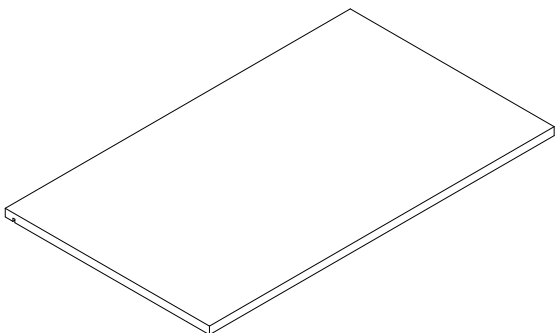
1pc

②



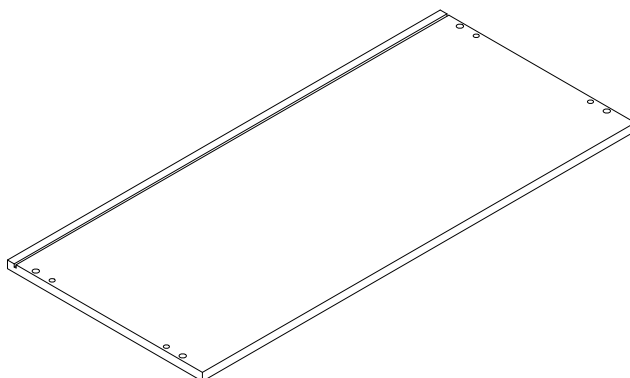
1pc

③



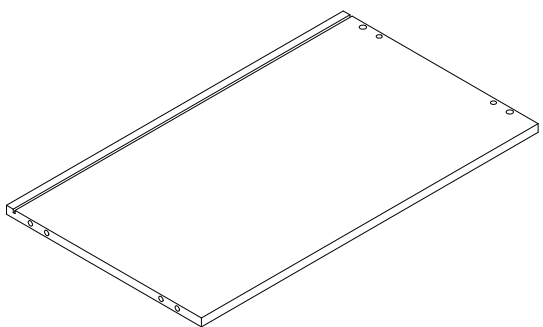
1pc

④



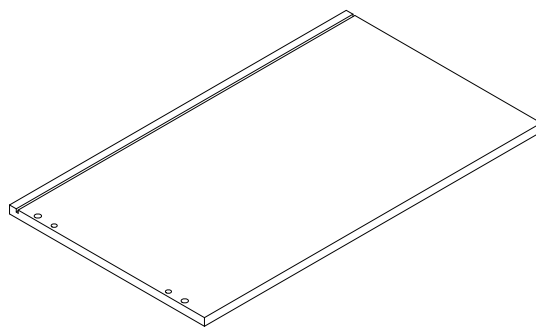
1pc

⑤



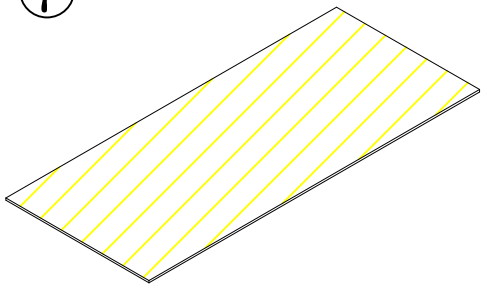
1pc

⑥



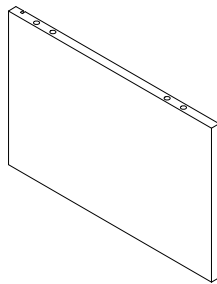
1pc

⑦



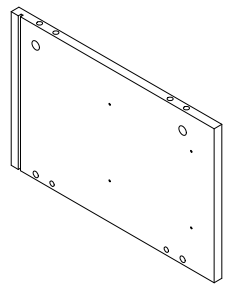
1pc

⑧



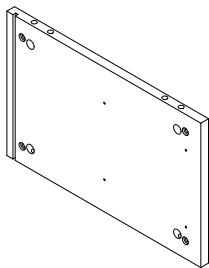
1pc

⑨



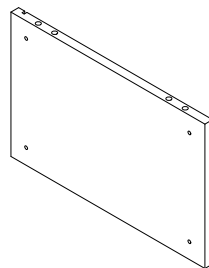
1pc

⑩



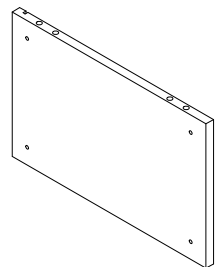
1pc

⑪



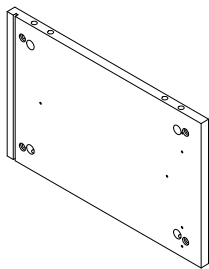
1pc

⑫



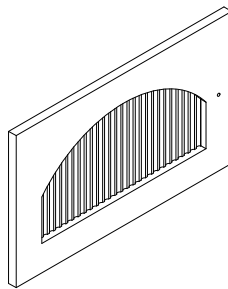
1pc

⑬



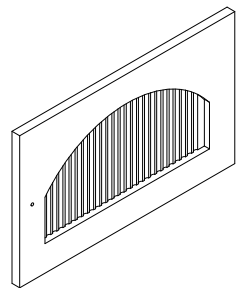
1pc

⑭



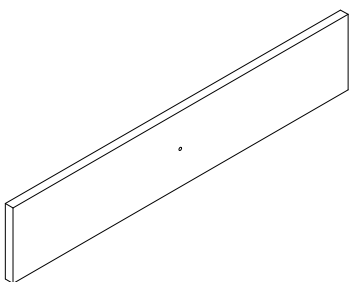
1pc

⑮



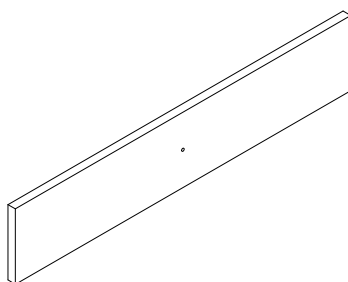
1pc

⑯



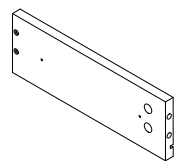
2pcs

⑰



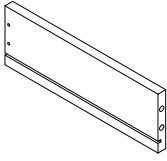
2pcs

⑱



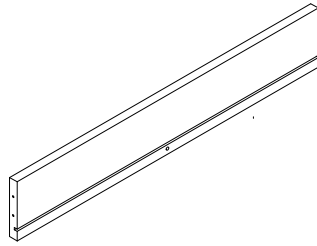
4pcs

19



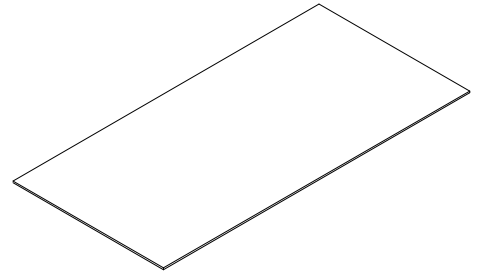
4pcs

20



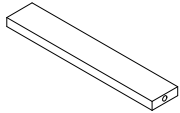
4pcs

21



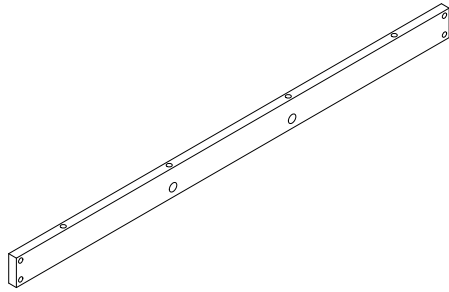
4pcs

22



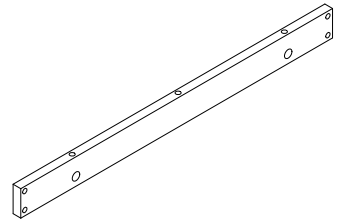
4pcs

23



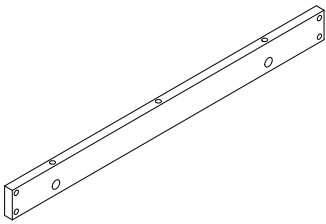
2pcs

24



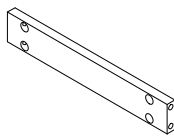
2pcs

25



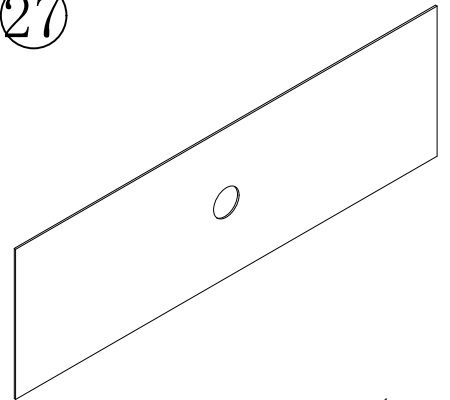
2pcs

26



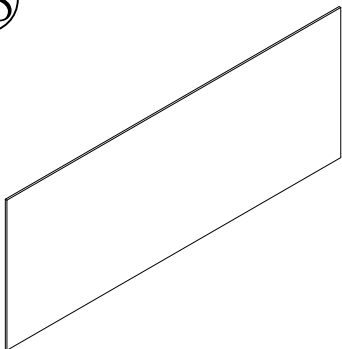
6pcs

27

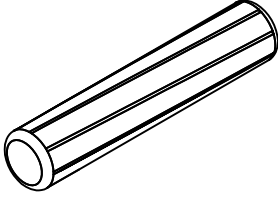
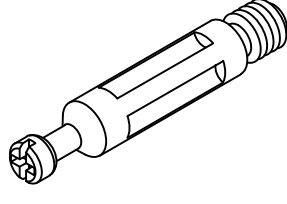
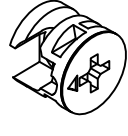
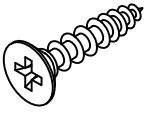
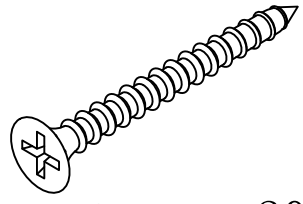
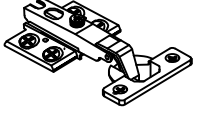
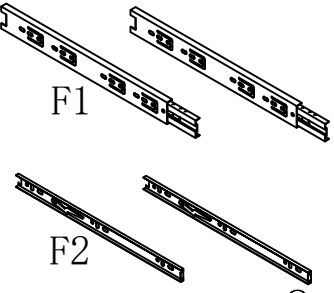
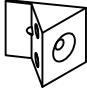
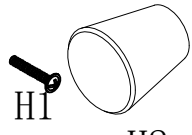

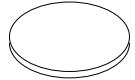
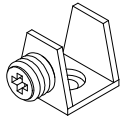


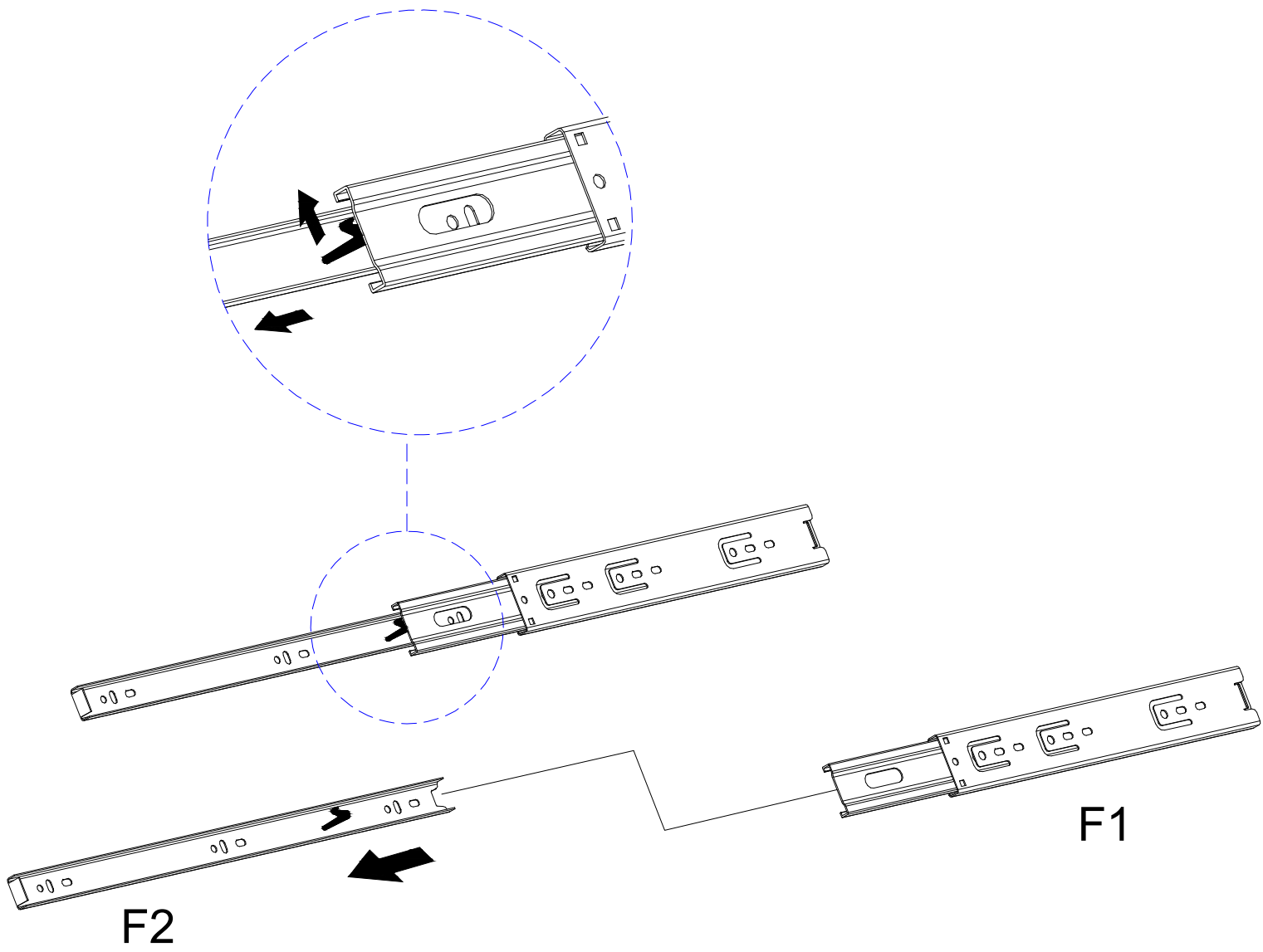
1pc

28

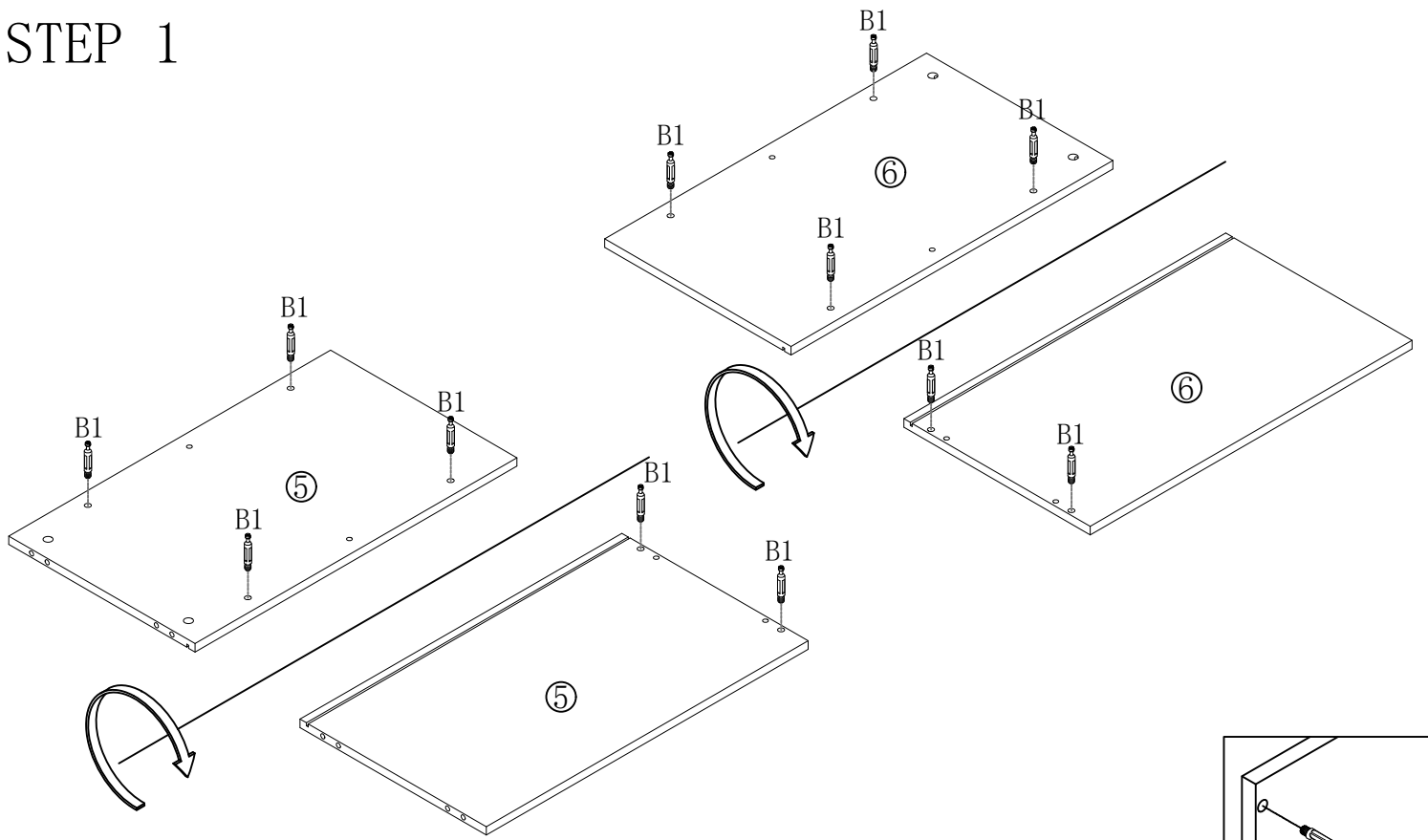


2pcs

<p>A</p>  <p>$\Phi 8 \times 40 \text{MM}$ 32 pcs</p>	<p>B1</p>  <p>$\Phi 6 \times 40 \text{MM}$ 80 pcs</p>	<p>B2</p>  <p>$\Phi 15 \times 10 \text{MM}$ 80 pcs</p>
<p>C</p>  <p>$\Phi 3.5 \times 14 \text{MM}$ 74 pcs</p>	<p>D</p>  <p>$\Phi 3.5 \times 35 \text{MM}$ 20 pcs</p>	<p>E</p>  <p>4 pcs</p>
<p>F</p>  <p>F1</p> <p>F2</p> <p>300MM 8 pcs</p>	<p>G</p>  <p>14 pcs</p>	<p>H</p>  <p>H1 H2</p> <p>6 pcs</p>
<p>K</p>  <p>K1 K2</p> <p>8 pcs</p>	<p>L</p>  <p>80 pcs</p>	<p>M</p>  <p>4 pcs</p>



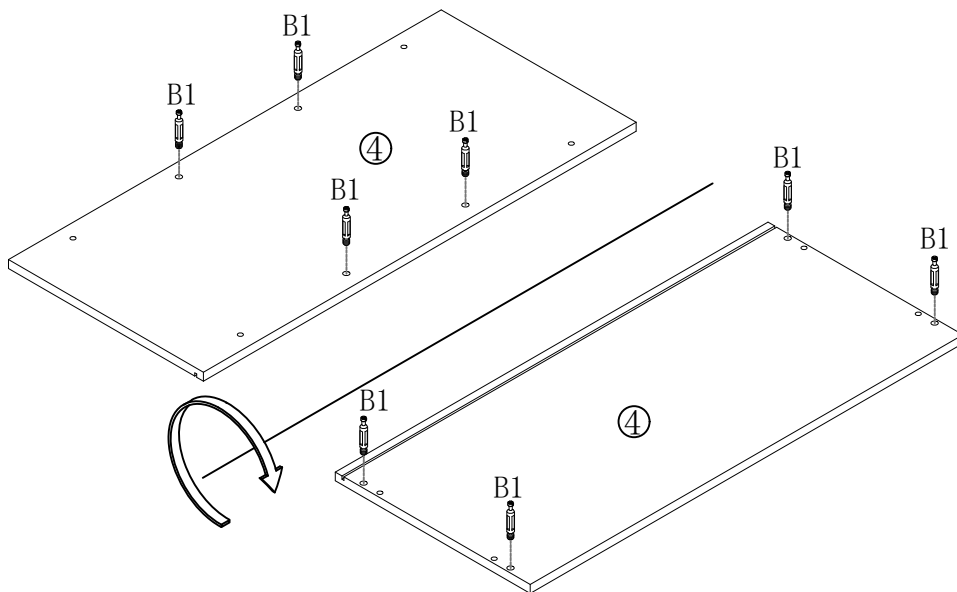
STEP 1



B1x12pcs

B1

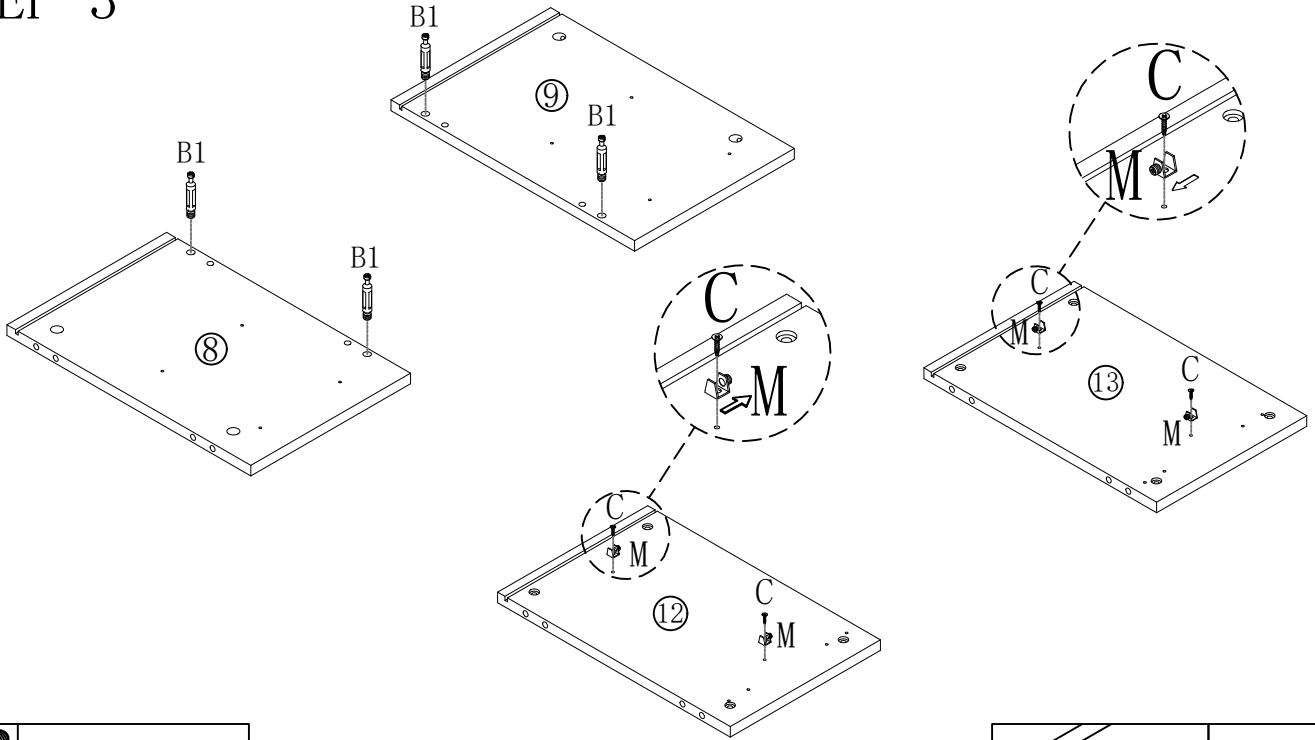
STEP 2






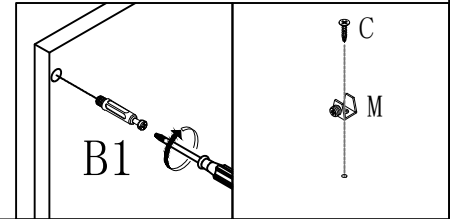
B1x8pcs

B1

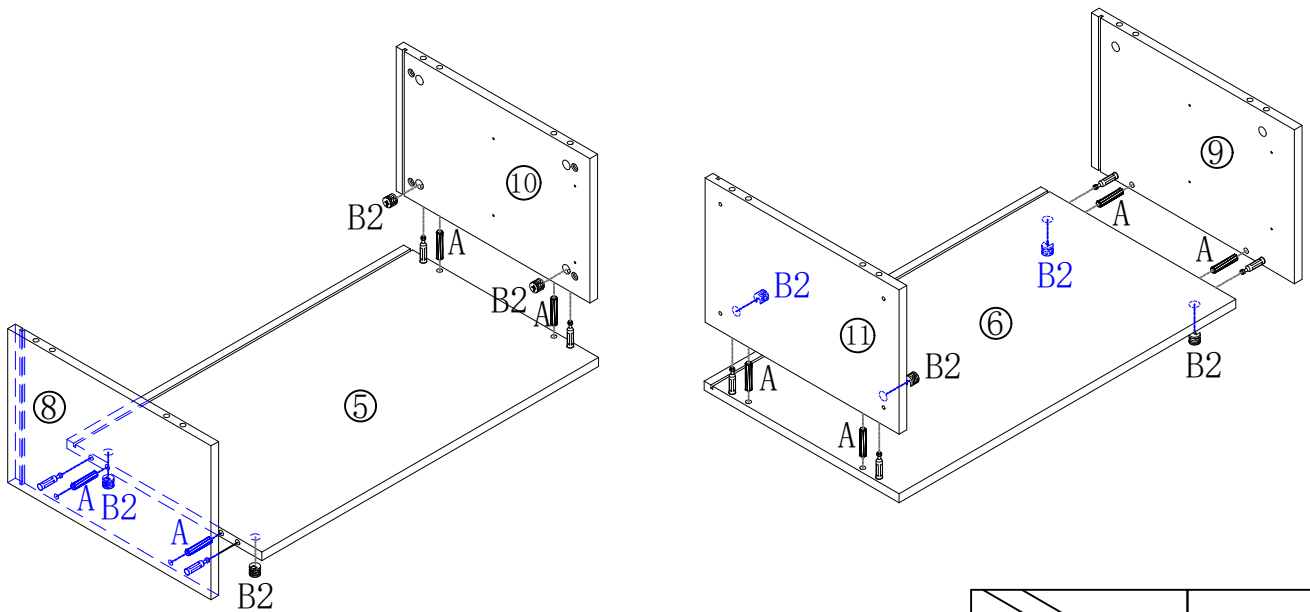
STEP 3





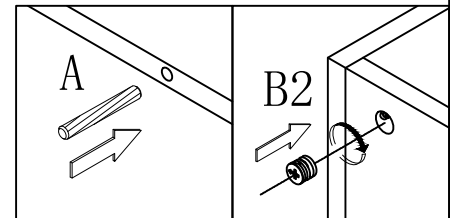
	B1x4pcs
	Mx4pcs
	Cx4pcs



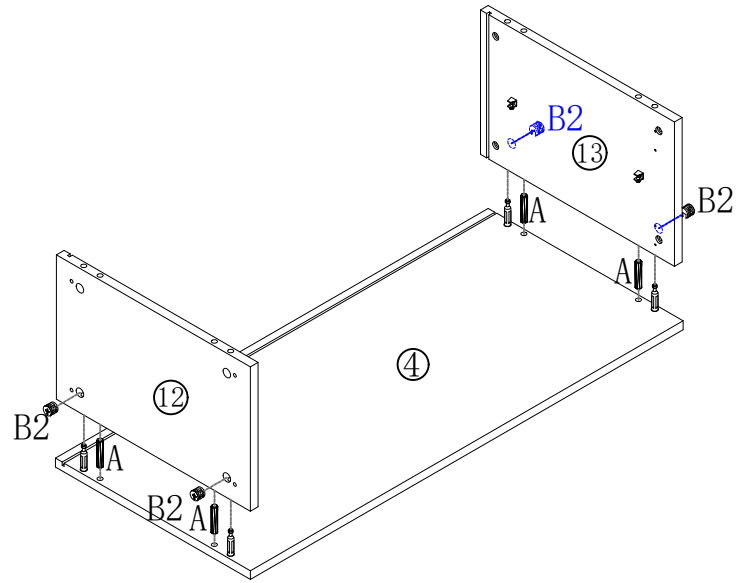
STEP 4





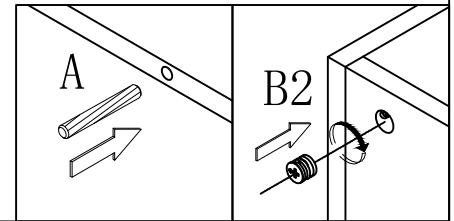
	Ax8pcs
	B2x8pcs



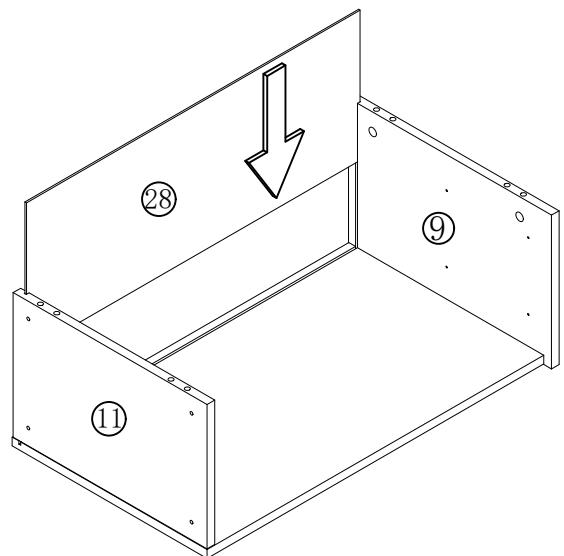
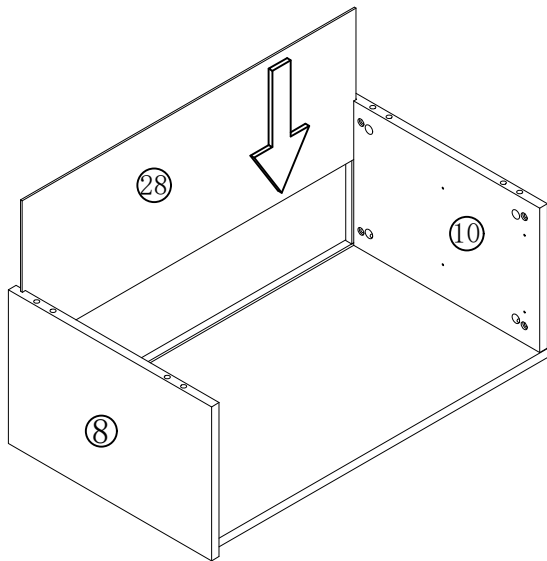
STEP 5



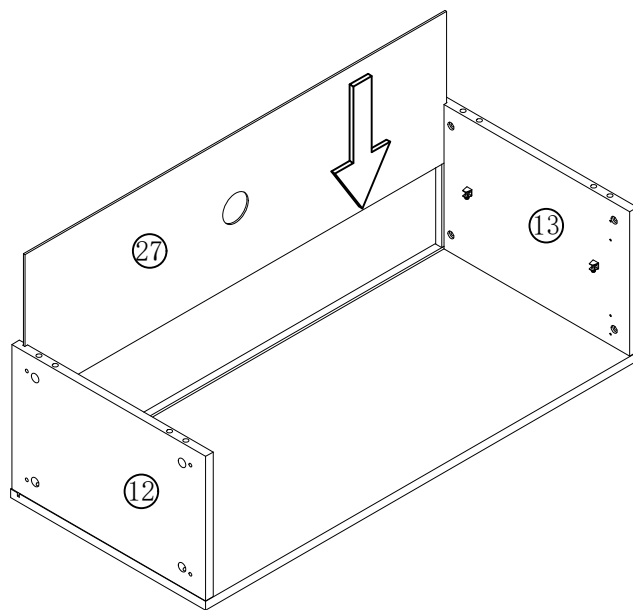
	Ax4pcs
	B2x4pcs



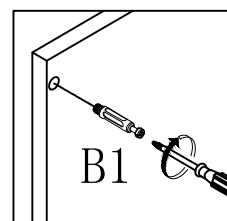
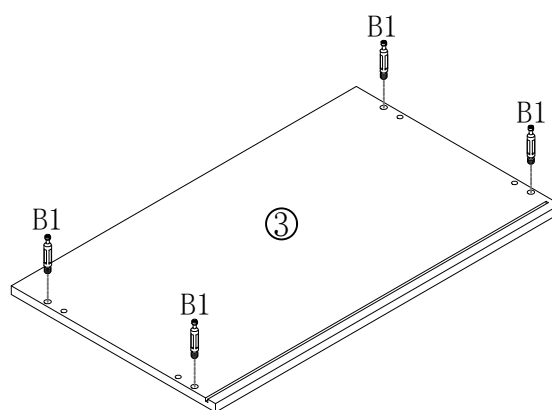
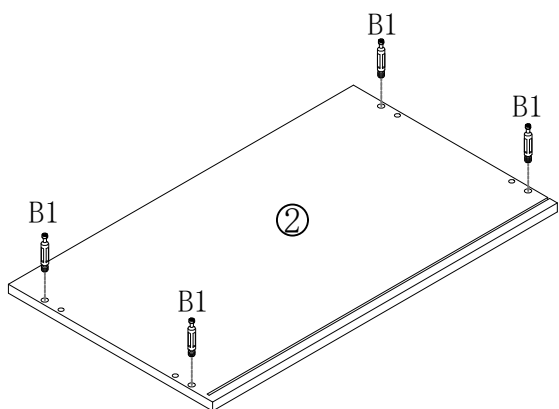
STEP 6



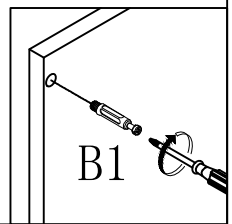
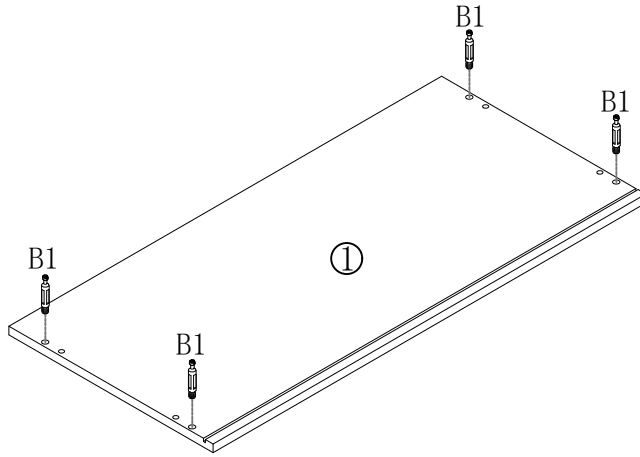
STEP 7




STEP 8

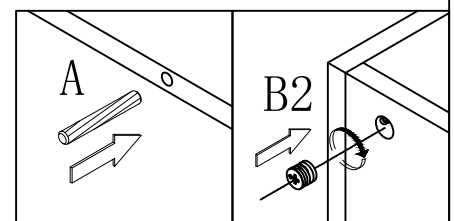
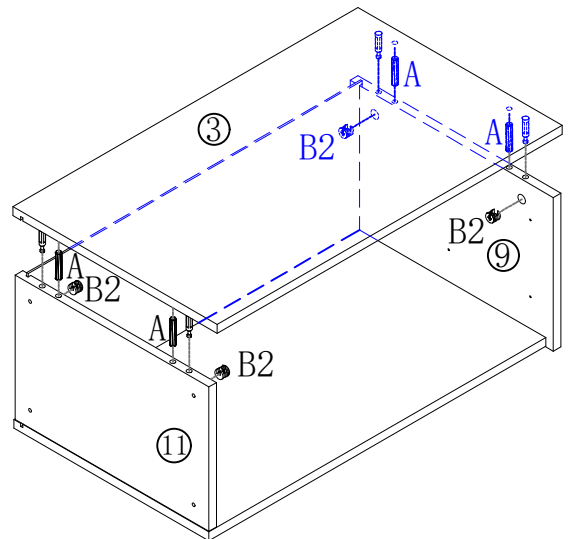
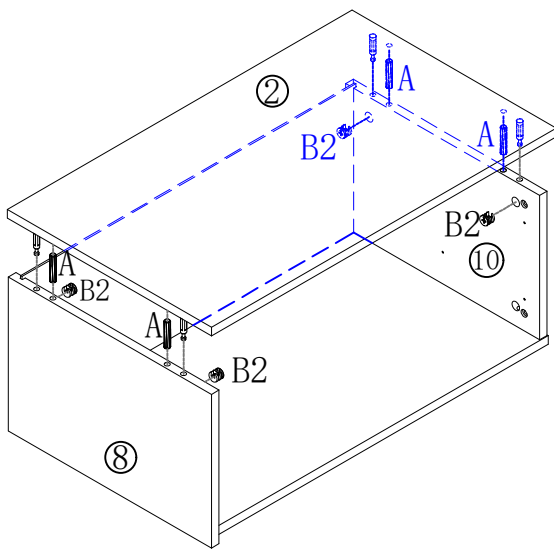




STEP 9



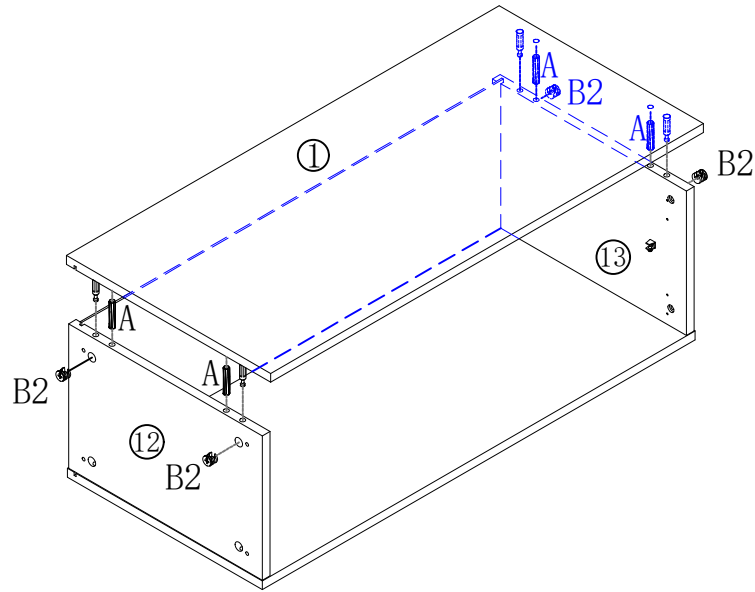
	B1x4pcs
--	---------



STEP 10

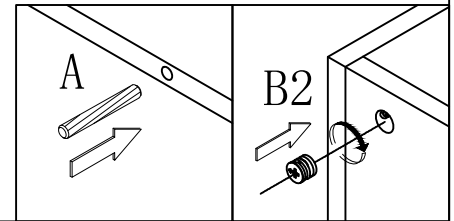


	Ax8pcs
	B2x8pcs

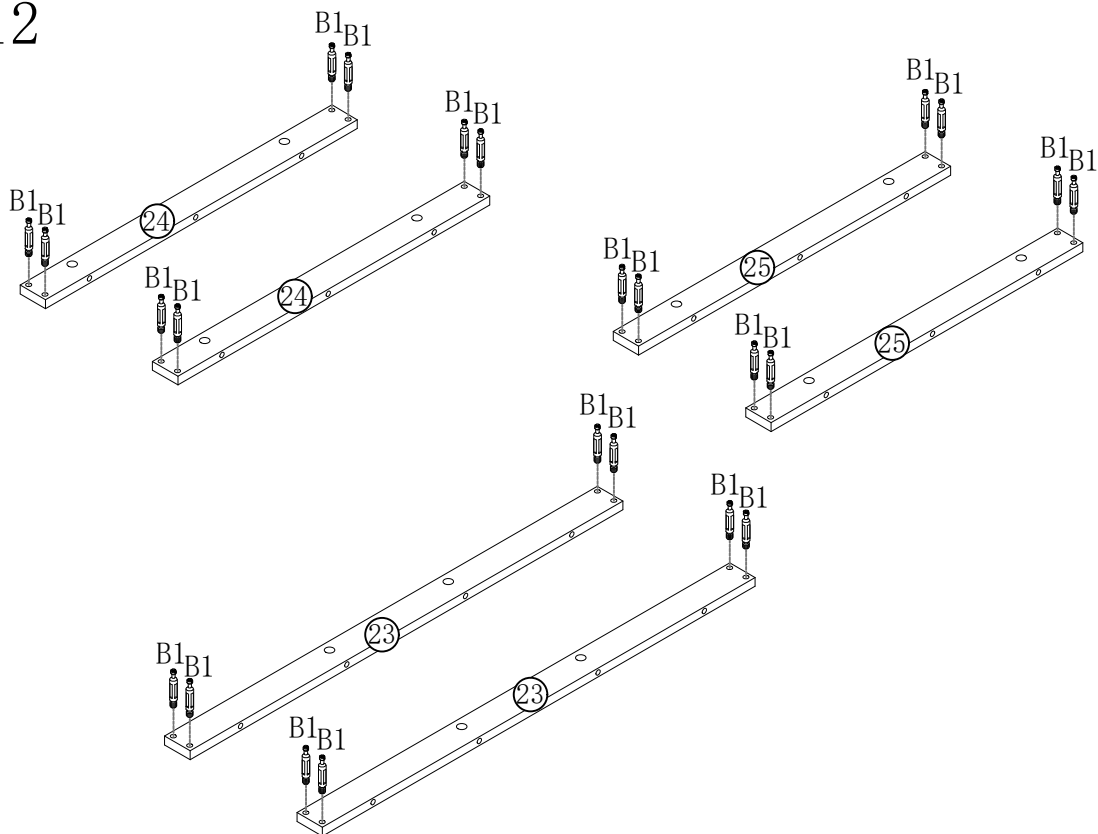
STEP 11

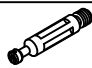


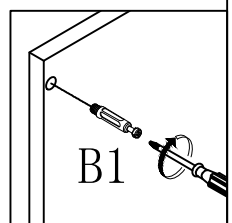
	Ax4pcs
	B2x4pcs



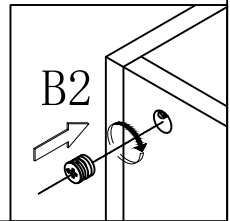
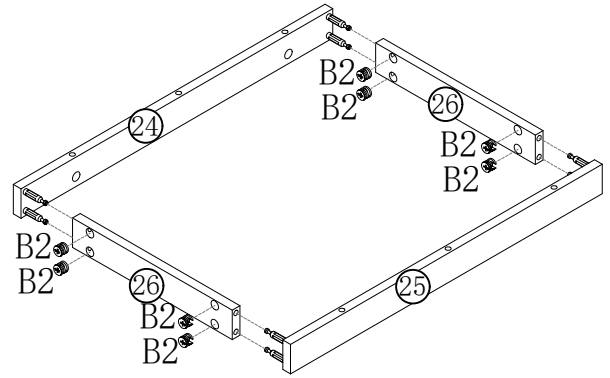
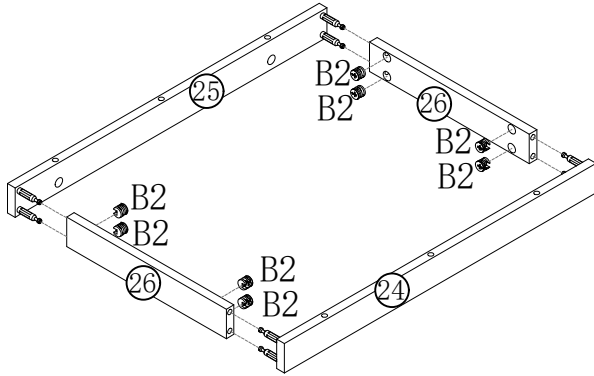
STEP 12



	B1x24pcs
--	----------

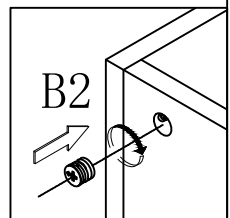
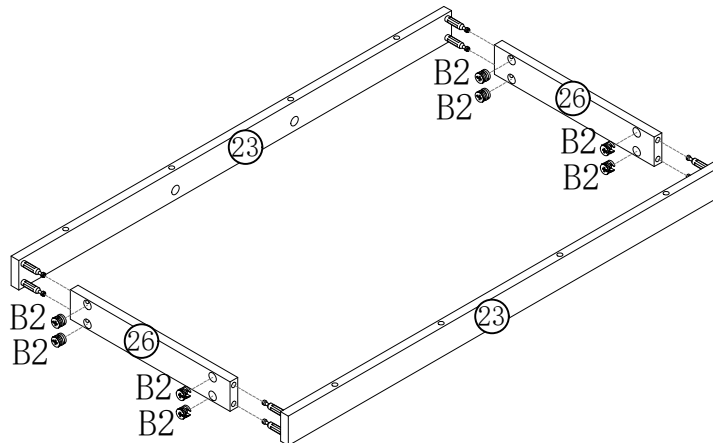


STEP 13



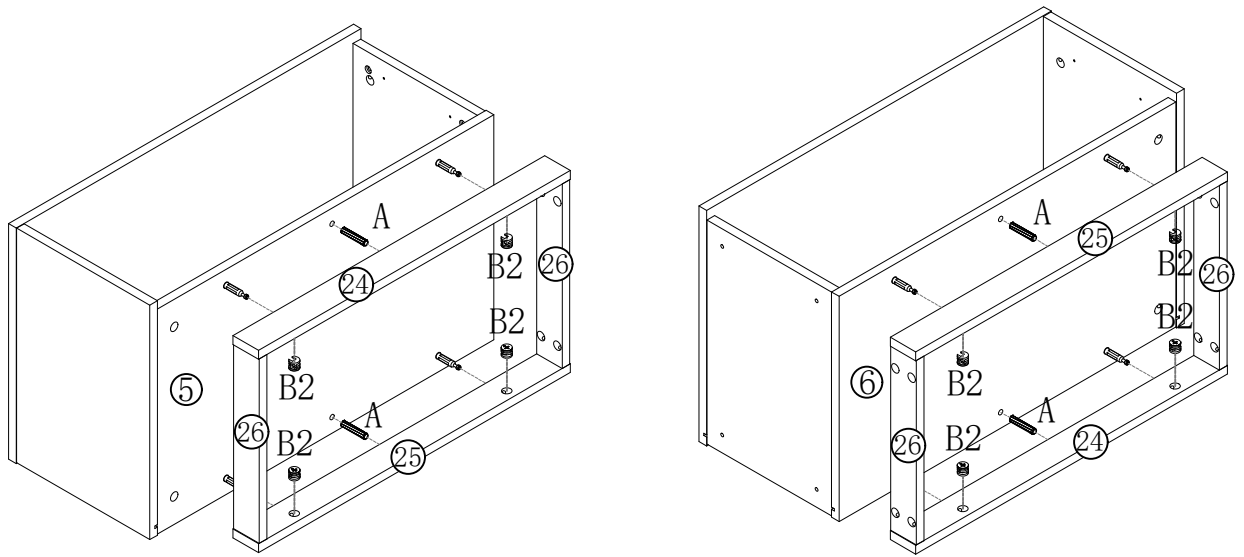
B2x16pcs



STEP 14

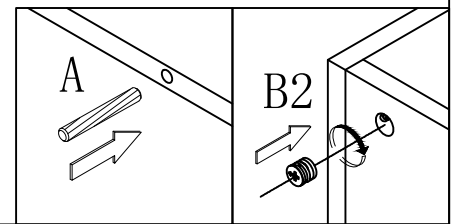


B2x8pcs

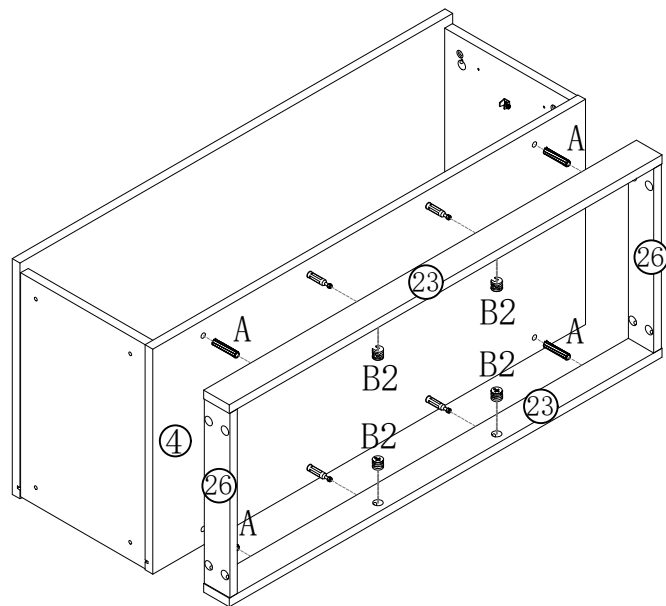
STEP 15

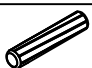



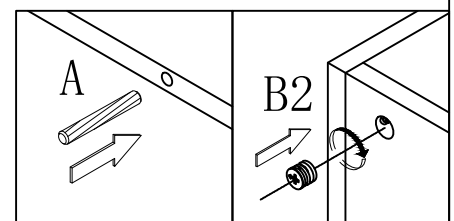
	Ax4pcs
	B2x8pcs



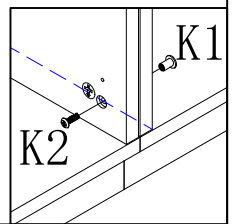
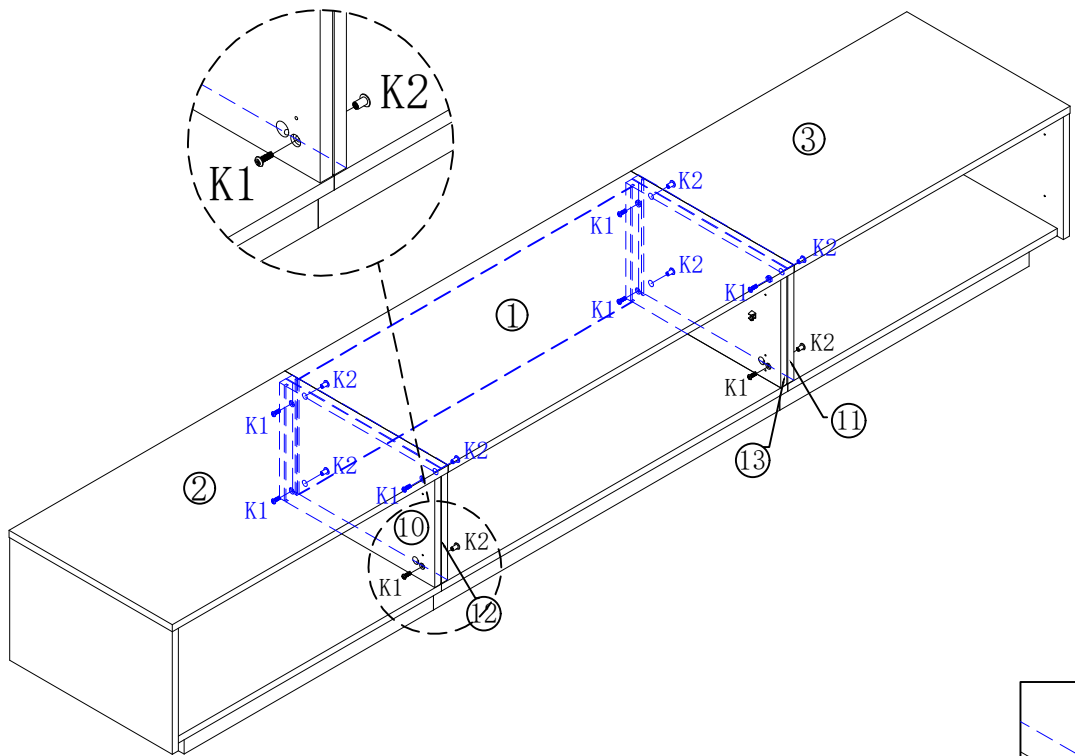
STEP 16



	Ax4pcs
	B2x4pcs

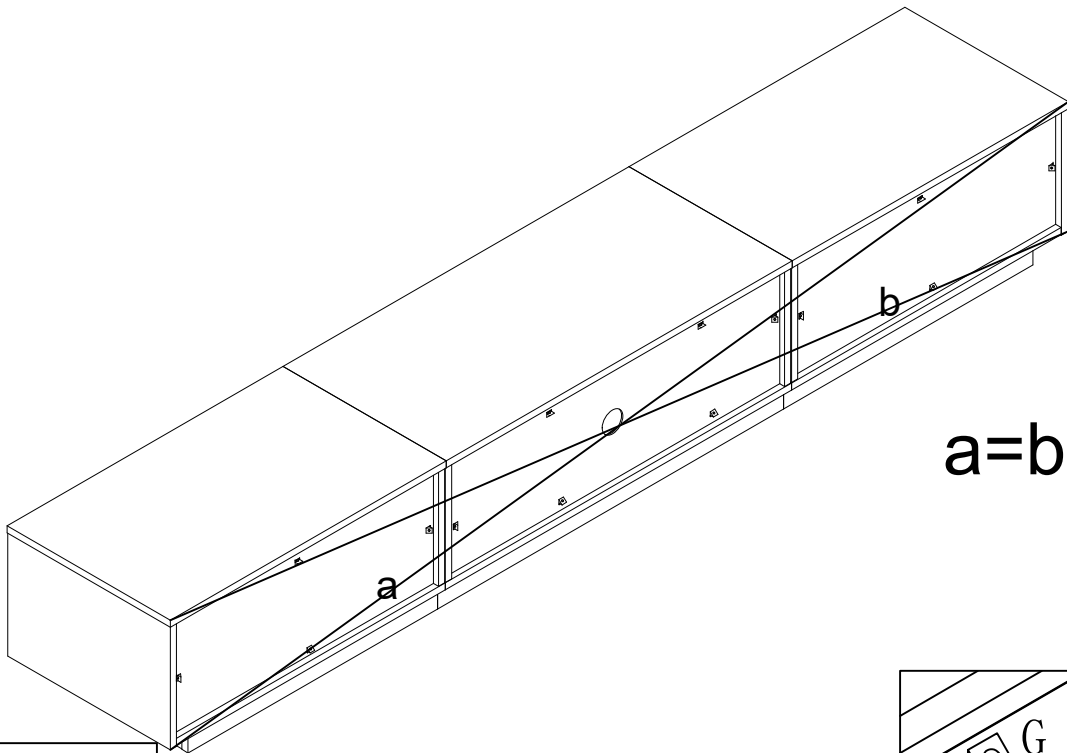


STEP 17



Kx8pcs

STEP 18



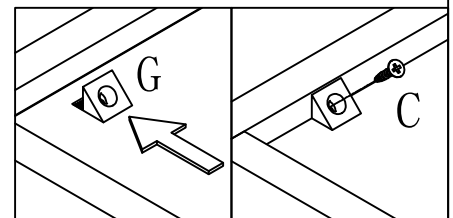
$a=b \checkmark$



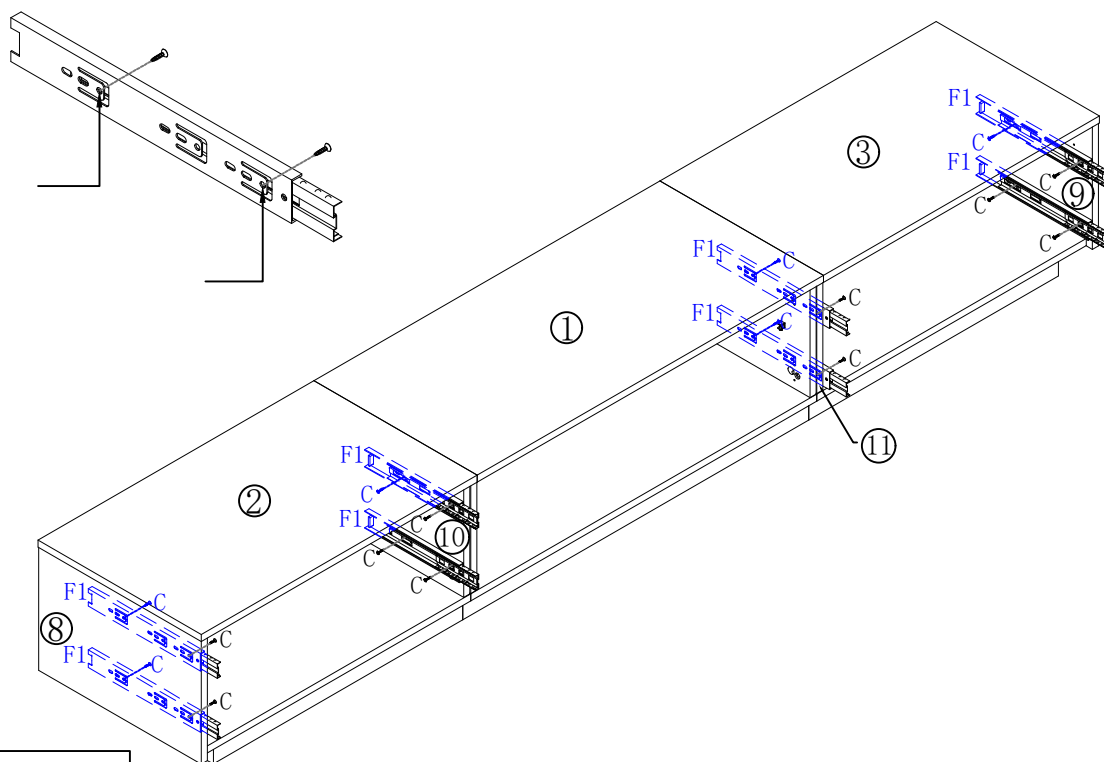
Cx14pcs





Gx14pcs

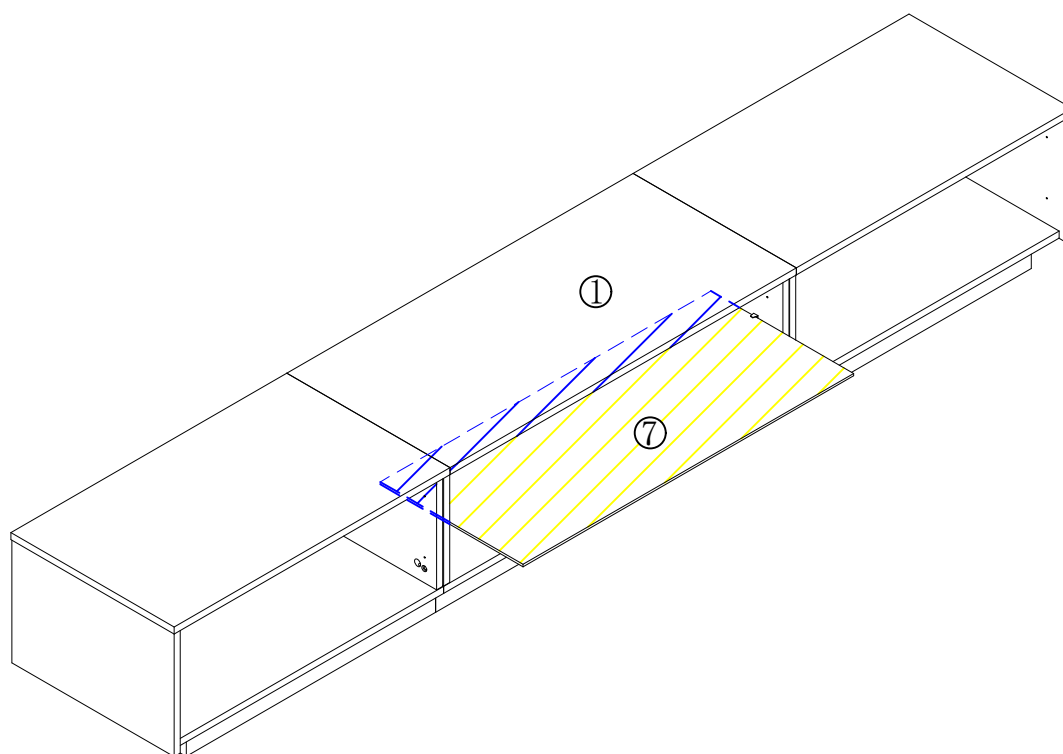


STEP 19

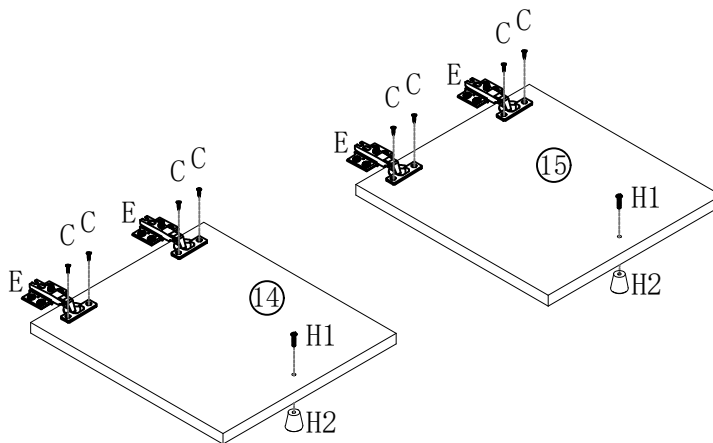



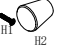

	Cx16pcs
	F1x8pcs

STEP 20

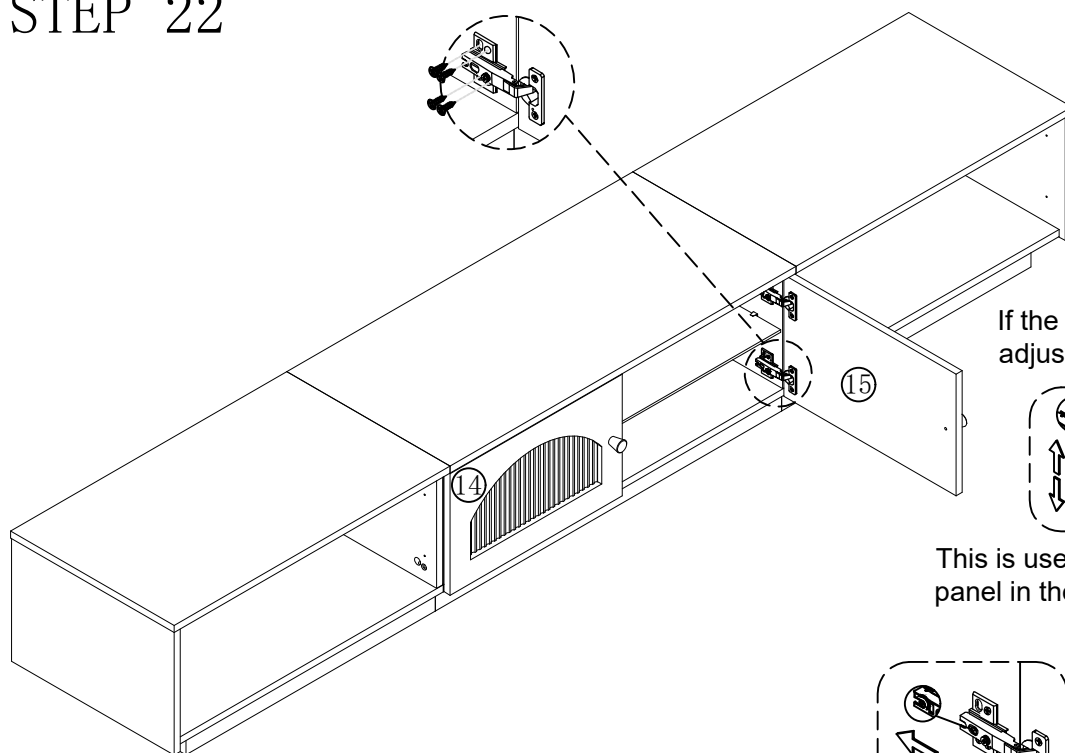


STEP 21

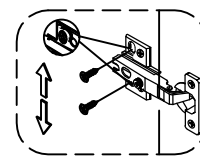


	Cx8pcs
	Hx2pcs
	Ex4pcs

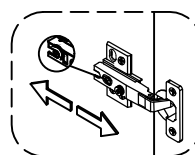
STEP 22



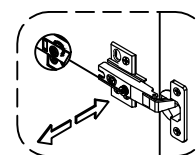
If the door can't close, please adjust the hinges.




This is used to adjust the door panel in the up and down direction.



This is used to adjust the door panel in the front and rear.

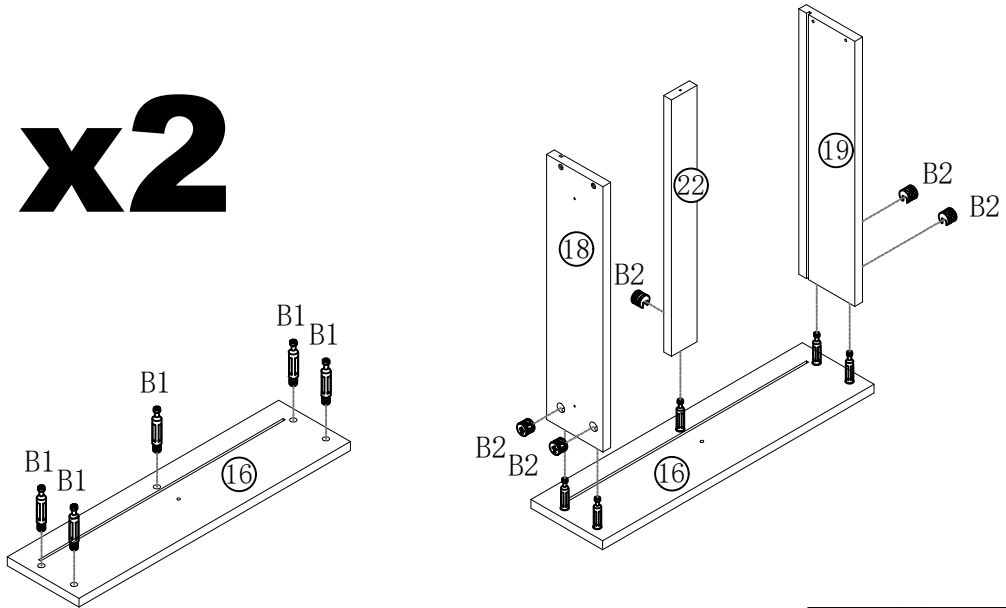




This is used to adjust the door panel in the left and right direction.

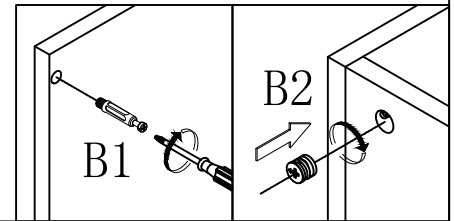
	Cx16pcs
--	---------

STEP 23

x2

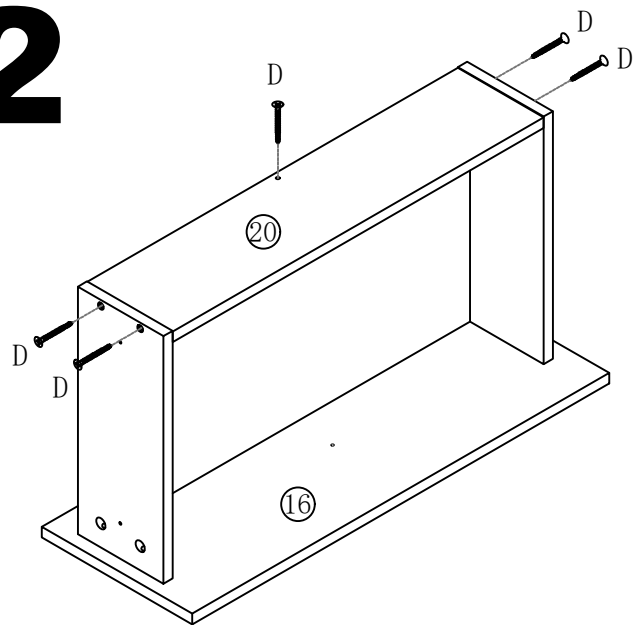
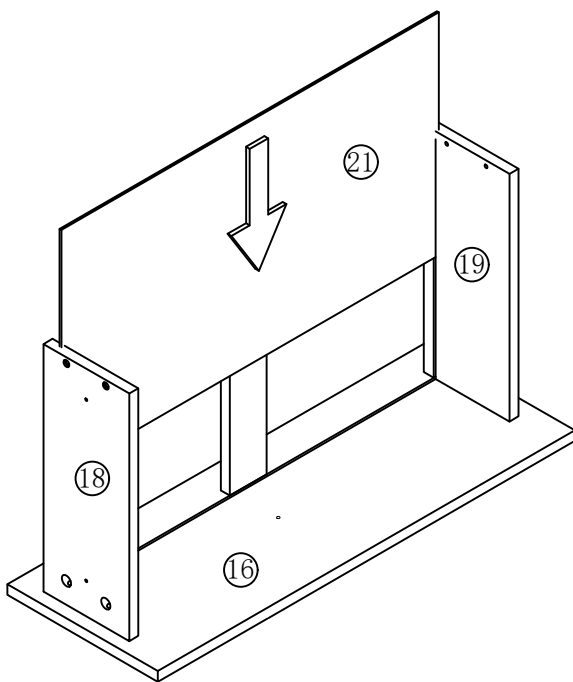



	B1x10pcs
	B2x10pcs

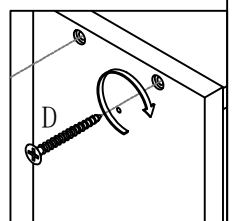


STEP 24

x2

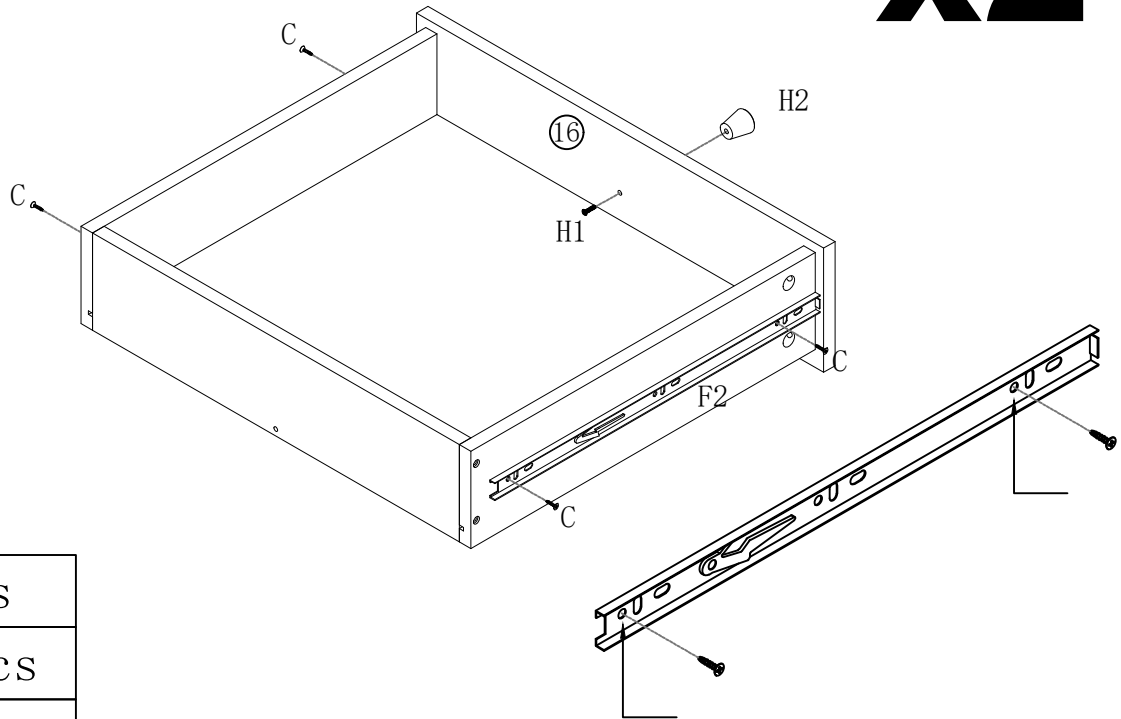




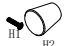
	Dx10pcs
--	---------



STEP 25

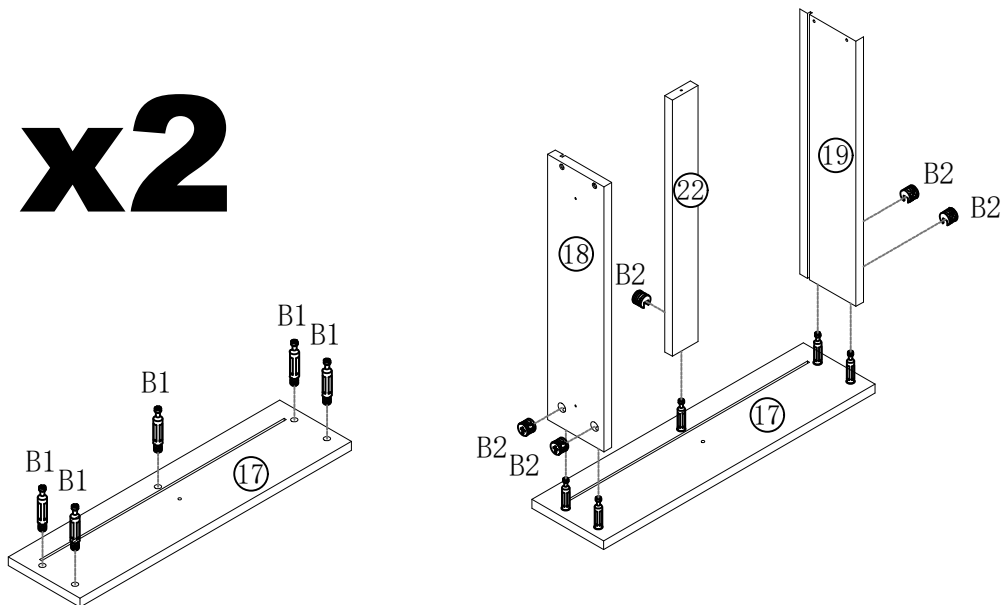
x2





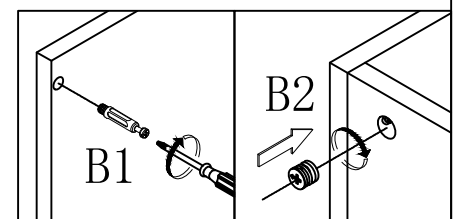
	Cx8pcs
	F2x4pcs
	Hx2pcs

STEP 26

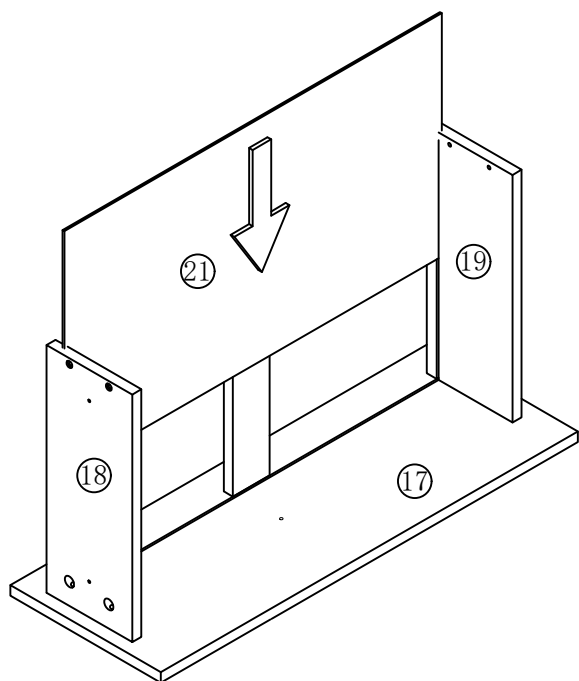
x2



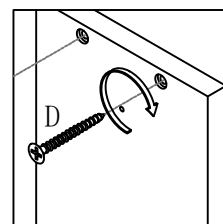
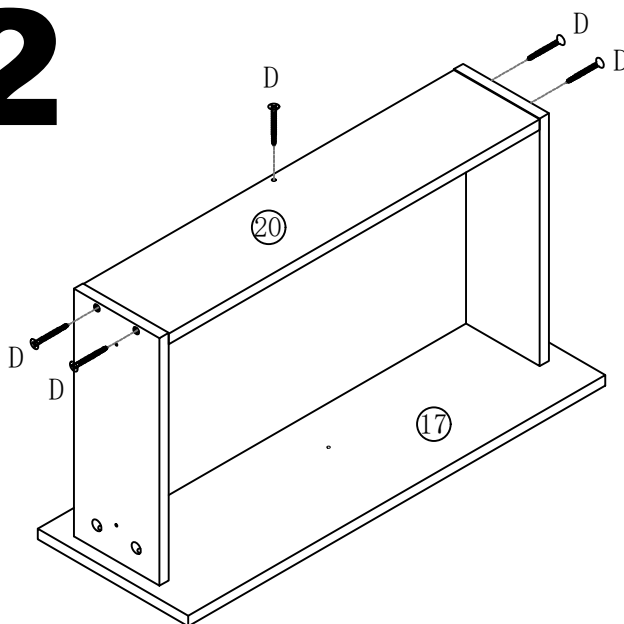
	B1x10pcs
	B2x10pcs




STEP 27



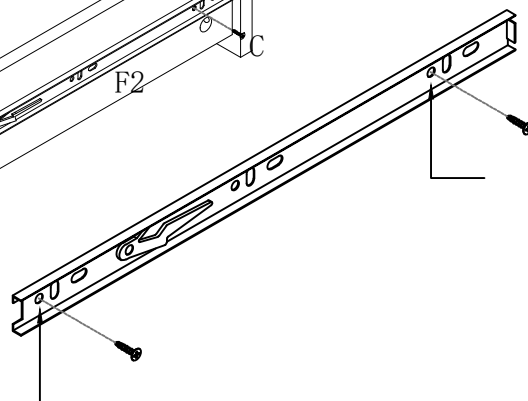
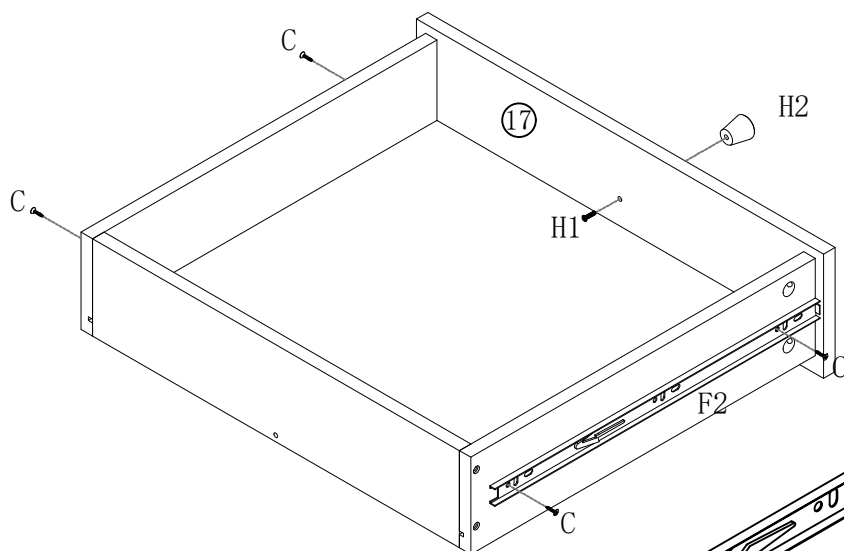
x2



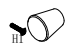


	Dx10pcs
--	---------

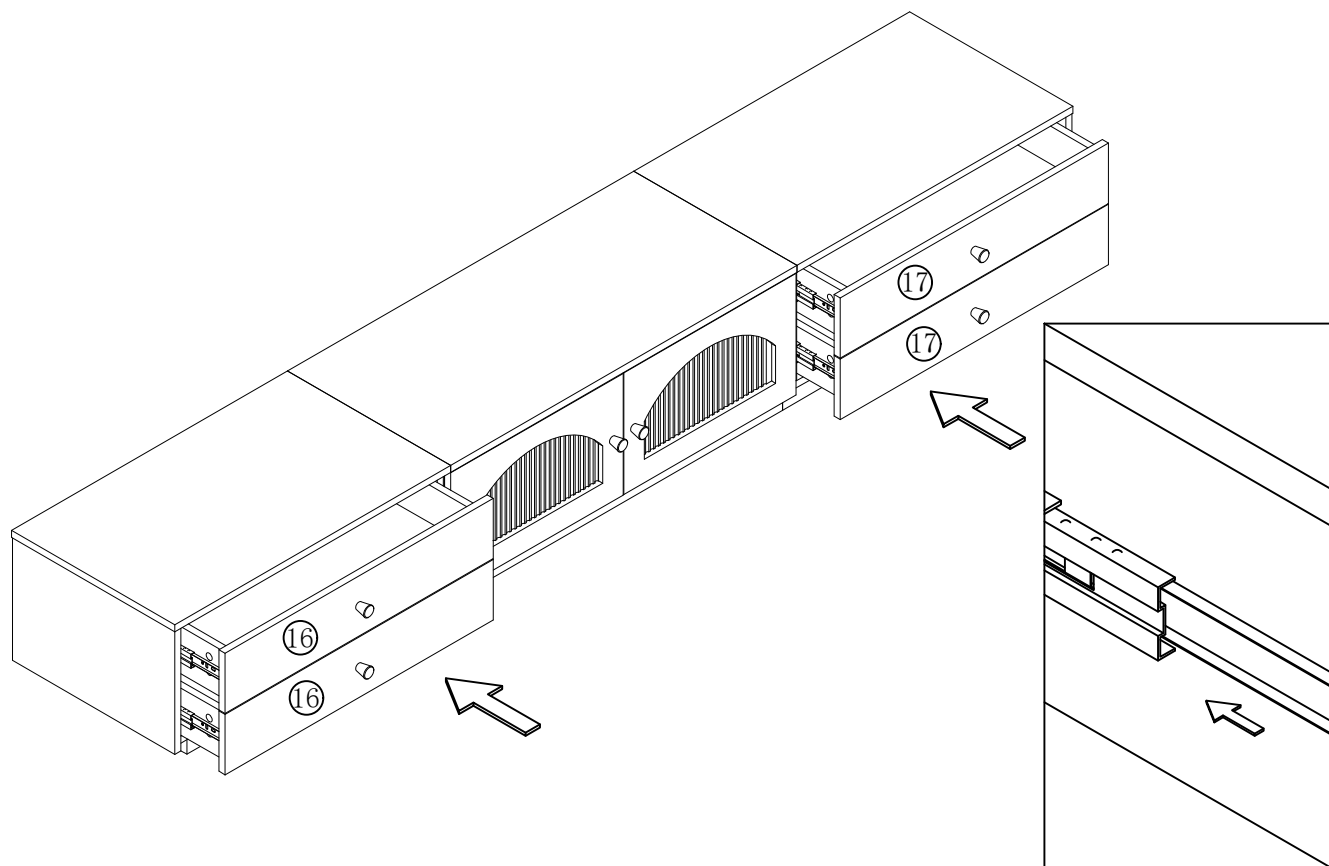
STEP 28

x2

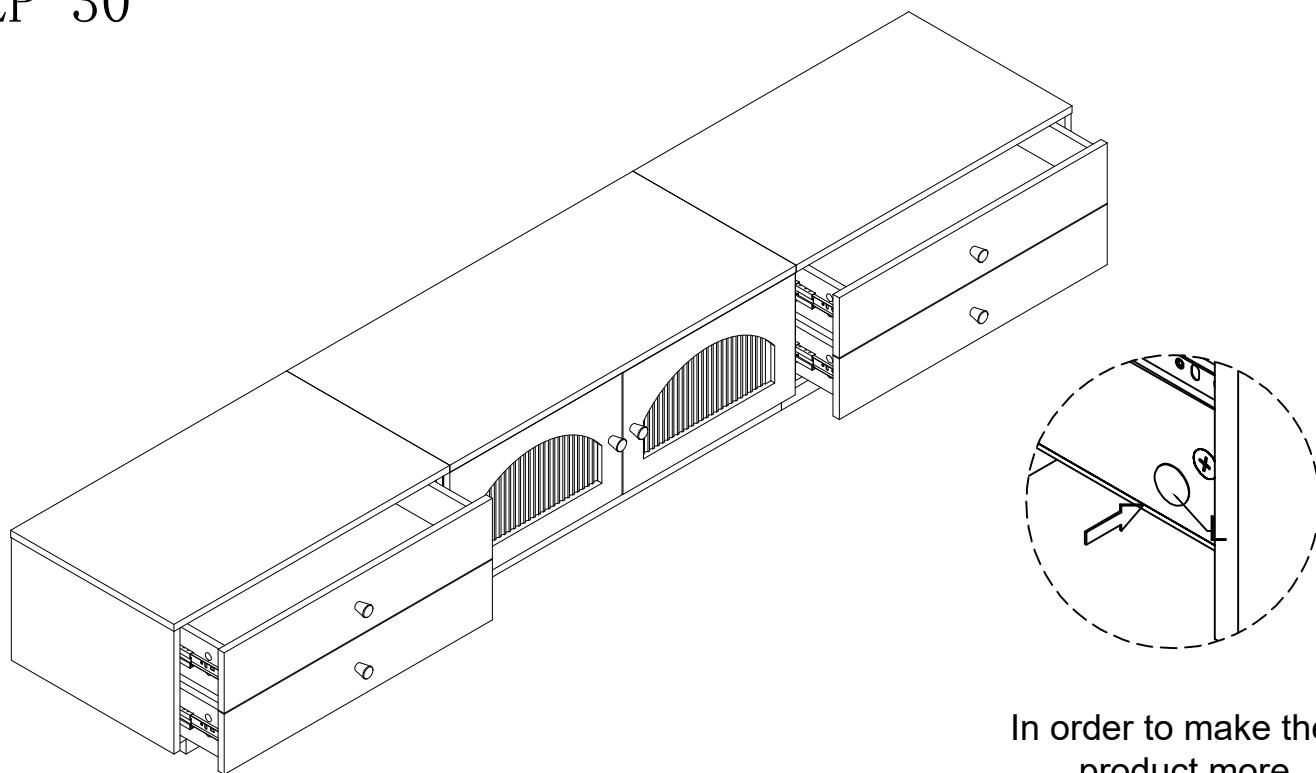


	Cx8pcs
	F2x4pcs
	Hx2pcs

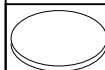
STEP 29



STEP 30



In order to make the product more beautiful, please paste hardware L on the exposed holes

 Lx80pcs

