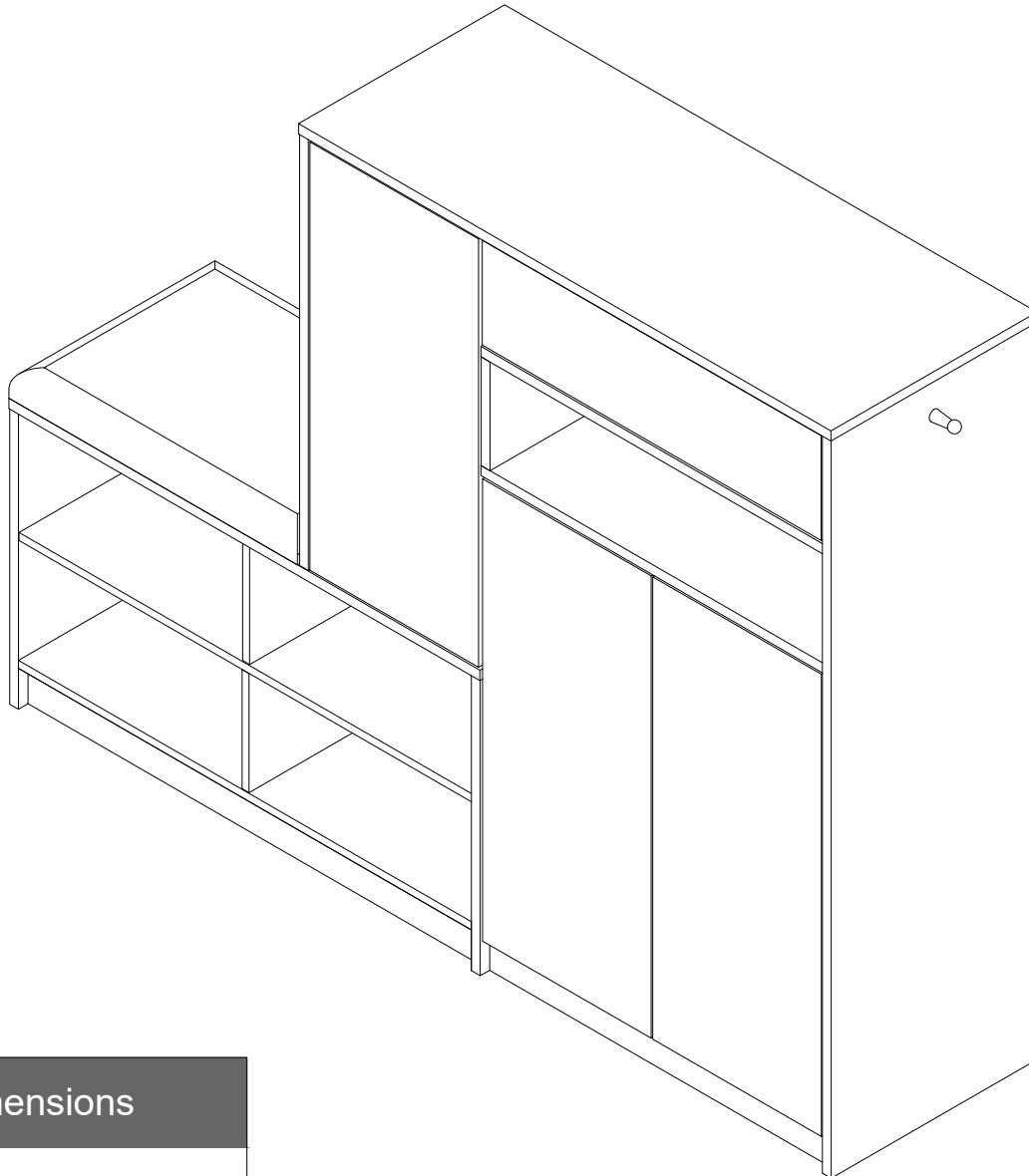


# Cabinet

Assembly Instructions - Please keep for future reference



## Dimensions

Width-55.1inch

Depth-13.8inch

Height-43.3inch

Important-Please read these instructions fully before starting assembly



# Safety and Care Advice

**Important – Please read these instructions fully before starting assembly**

- Check you have all the components and tools listed on the following pages.
- Remove all fittings from the plastic bags and separate them into their groups.
- Keep children and animals away from the work area, small parts could choke if swallowed.
- Make sure you have enough space to layout the parts before starting.

- During assembly do not stand or put weight on the product, this could cause damage.
- Assemble the item as close to its final position (in the same room) as possible.
- Assemble on a soft level surface to avoid damaging the unit or your floor.
- Parts of the assembly will be easier with 2 people.



power drill is set on a low torque setting.

- To reduce the likelihood of damaging your product please ensure that your

## Care and maintenance

- Only clean using a damp cloth and mild detergent, do not use bleach or abrasive cleaners.
- From time to time check that there are no loose screws on this unit.
- This product should not be discarded with household waste. Take to your local authority waste disposal centre.

## Handy Hints

- Assemble all parts and bolts loosely during assembly, only once the product is complete should you fully tighten the bolts
- Regularly check and ensure That all bolts and fittings are tightend properly.

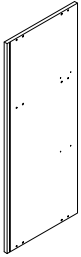

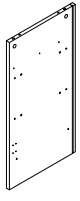
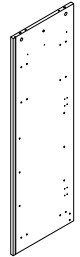

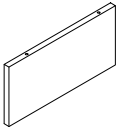
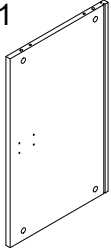



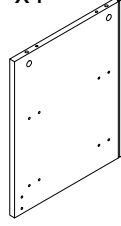
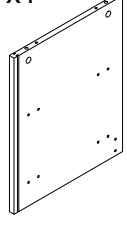
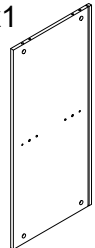
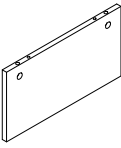
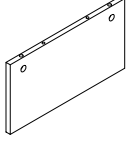
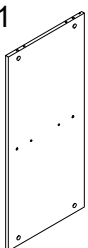

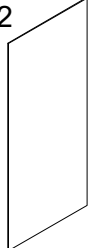

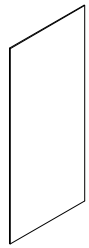
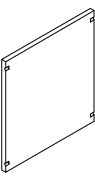




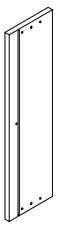


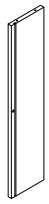
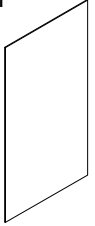

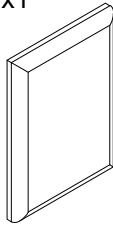

**WARNING**  
**In order to help prevent overturning – please follow these instructions**

To help prevent product toppling over please follow the below steps:-

- Use the anti tip stap or wall fixing method provided (if applicable)
- Do not allow children to climb or hang on the furniture
- Do not open more than one drawer at a time
- Do not place heavy items in the top drawers
- Do not place heavy items on top of the furniture, unless the furniture has been designed for this purpose

# Components - Fittinas

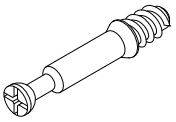

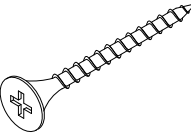
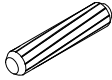
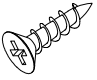
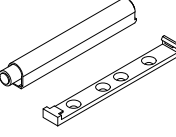
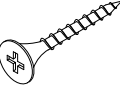
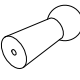
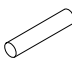
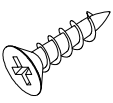
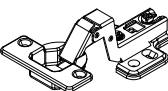
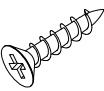



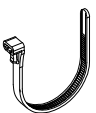
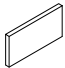
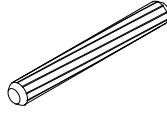

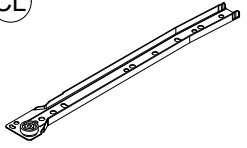
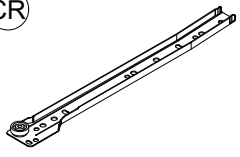
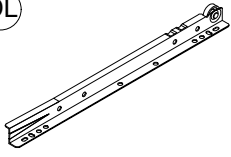
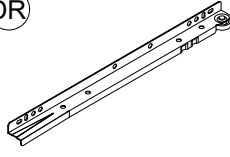
Please check you have all the panels listed below

<p>① x1</p>  <p>904x350x15mm</p>	<p>② x1</p>  <p>635x349x15mm</p>	<p>③ x1</p>  <p>635x328x15mm</p>	<p>④ x1</p>  <p>1085x349x15mm</p>	<p>⑤ x1</p>  <p>581x348x15mm</p>	<p>⑥ x1</p>  <p>160x331x15mm</p>
<p>⑦ x1</p>  <p>581x348x15mm</p>	<p>⑧ x1</p>  <p>581x333x12mm</p>	<p>⑨ x1</p>  <p>581x60x15mm</p>	<p>⑩ x1</p>  <p>800x350x15mm</p>	<p>⑪ x1</p>  <p>435x349x15mm</p>	<p>⑫ x1</p>  <p>435x349x15mm</p>
<p>⑬ x1</p>  <p>769x348x12mm</p>	<p>⑭ x1</p>  <p>175x332x12mm</p>	<p>⑮ x1</p>  <p>175x332x12mm</p>	<p>⑯ x1</p>  <p>769x348x12mm</p>	<p>⑰ x1</p>  <p>776x182x2.5mm</p>	<p>⑱ x2</p>  <p>333x587x2.5mm</p>
<p>⑲ x2</p>  <p>587x167x2.5mm</p>	<p>⑳ x1</p>  <p>642x281x2.5mm</p>	<p>㉑ x2</p>  <p>275x298x12mm</p>	<p>㉒ x3</p>  <p>579x298x12mm</p>	<p>㉓ x1</p>  <p>630x286x15mm</p>	<p>㉔ x2</p>  <p>680x286x15mm</p>
<p>㉕ x1</p>  <p>769x60x15mm</p>	<p>㉖ x1</p>  <p>575x154x15mm</p>	<p>㉗ x1</p>  <p>297x115x12mm</p>	<p>㉘ x1</p>  <p>297x115x12mm</p>	<p>㉙ x1</p>  <p>531x115x12mm</p>	<p>㉚ x1</p>  <p>538x292x2.5mm</p>
<p>㉛ x1</p>  <p>284x45x12mm</p>	<p>㉜ x1</p>  <p>490x350x45mm</p>	<p>㉝ x1</p>  <p>577x12x6mm</p>			

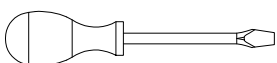
# Components - Fittinas

Please check you have all the panels listed below

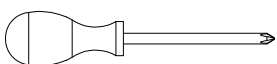
Note : The quantitie below are the correct amount to complete the assembly . In some cases more fittings may be supplied than are required.

<p><b>(A)</b></p>  <p>Ø6*35mm Cam Bolt x 39+1</p>	<p><b>(B)</b></p>  <p>Ø15*9mm Cam lock x 39+1</p>	<p><b>(C)</b></p>  <p>4*40mm Screw x 15+1</p>	<p><b>(D)</b></p>  <p>6*30mm Dowel x 44+2</p>	<p><b>(E)</b></p>  <p>3*12mm Screw x 20+1</p>
<p><b>(F)</b></p>  <p>Pusher x 4</p>	<p><b>(G)</b></p>  <p>4*25mm Screw x 1</p>	<p><b>(H)</b></p>  <p>Handle x 1</p>	<p><b>(I)</b></p>  <p>5*20mm Shelf support pin x 20+1</p>	<p><b>(J)</b></p>  <p>3.5*12mm Screw x 36+2</p>
<p><b>(K)</b></p>  <p>Ø26mm Hinge x 6</p>	<p><b>(L)</b></p>  <p>3*14mm Screw x 26+1</p>	<p><b>(M)</b></p>  <p>Plastic Nail x 24+1</p>	<p><b>(N)</b></p>  <p>Wall Hanger x 4</p>	<p><b>(O)</b></p>  <p>6*30mm Wall Anchor x 2</p>
<p><b>(P)</b></p>  <p>Strap x 2</p>	<p><b>(Q)</b></p>  <p>30*15mm Non-Slip mat x 6</p>	<p><b>(R)</b></p>  <p>6*50mm Dowel x 6</p>	<p><b>(S)</b></p>  <p>Ø20mm Cap Sticke x 8</p>	<p><b>(CL)</b></p>  <p>300mm Runner x 1</p>
<p><b>(CR)</b></p>  <p>300mm Runner x 1</p>	<p><b>(DL)</b></p>  <p>300mm Runner x 1</p>	<p><b>(DR)</b></p>  <p>300mm Runner x 1</p>		

## Tools required



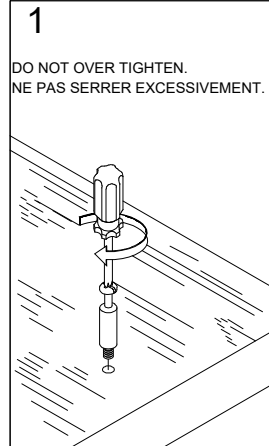
Phillips screwdriver  
( medium large )



# Using Camlocks

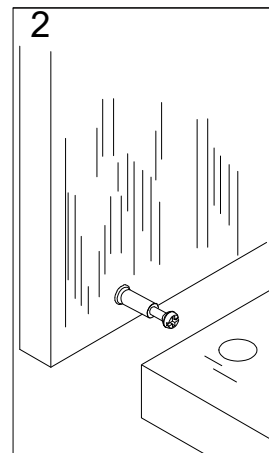
## Step 1

Connect the male camlock as directed in the assembly instructions using a screwdriver.



## Step 2

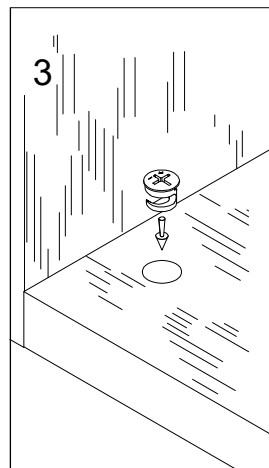
Push the male camlock into the entry hole.



## Step 3

Insert the female camlock as shown in the instruction.

Note: ensure that the arrow on the top of the camlock points towards the entry hole for the male camlock.

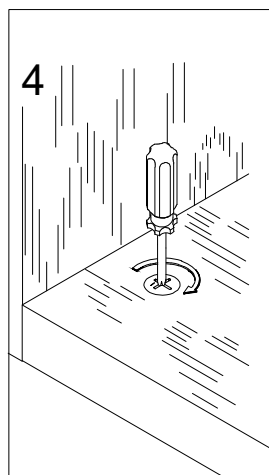


## Step 4

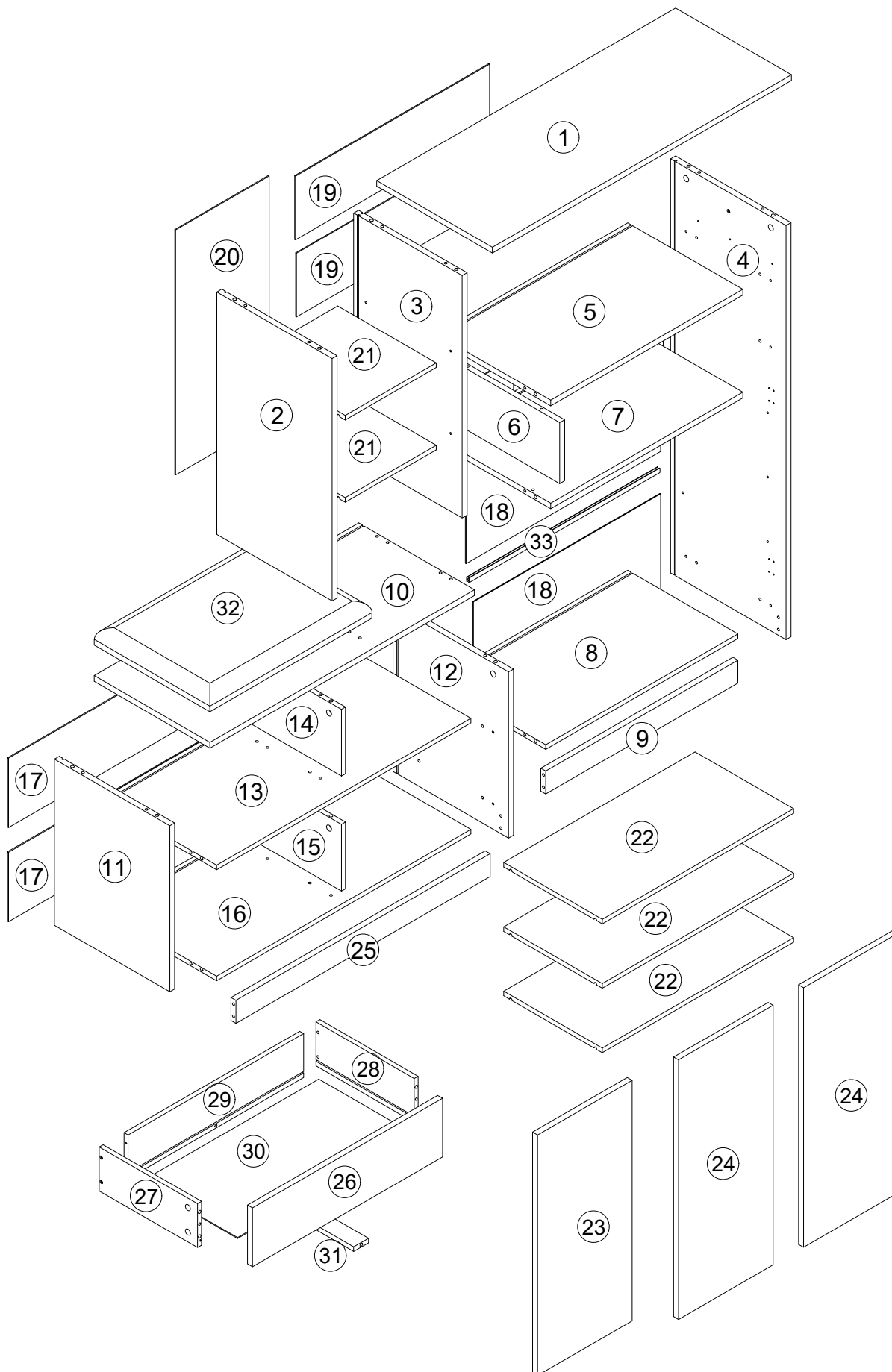
Turn the female camlock clockwise with a screwdriver.

You should feel a click when the camlock is locked in place.

The joint is now secure.

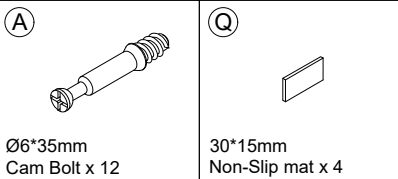
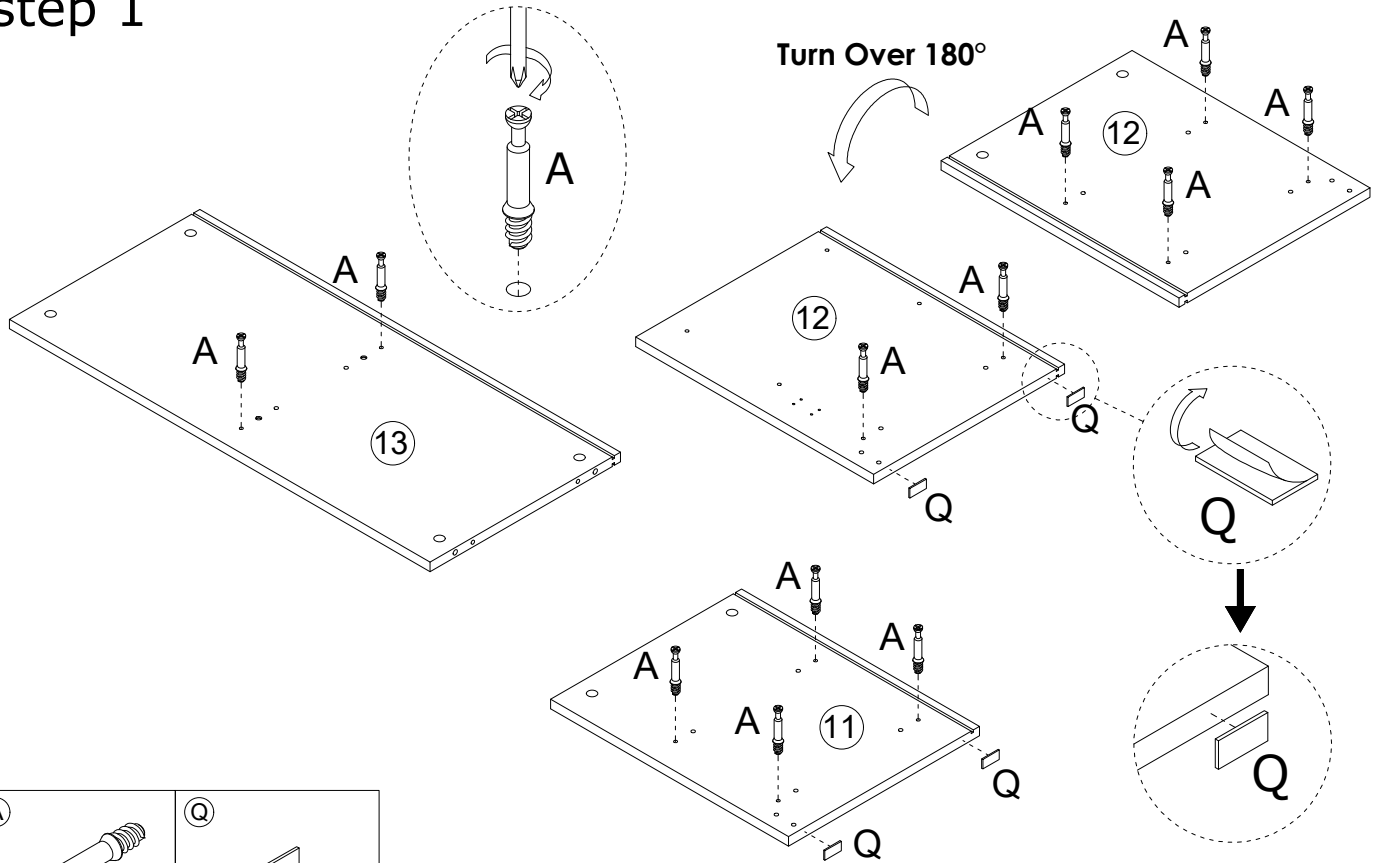


# Assembly Instructions

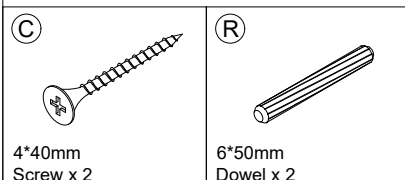
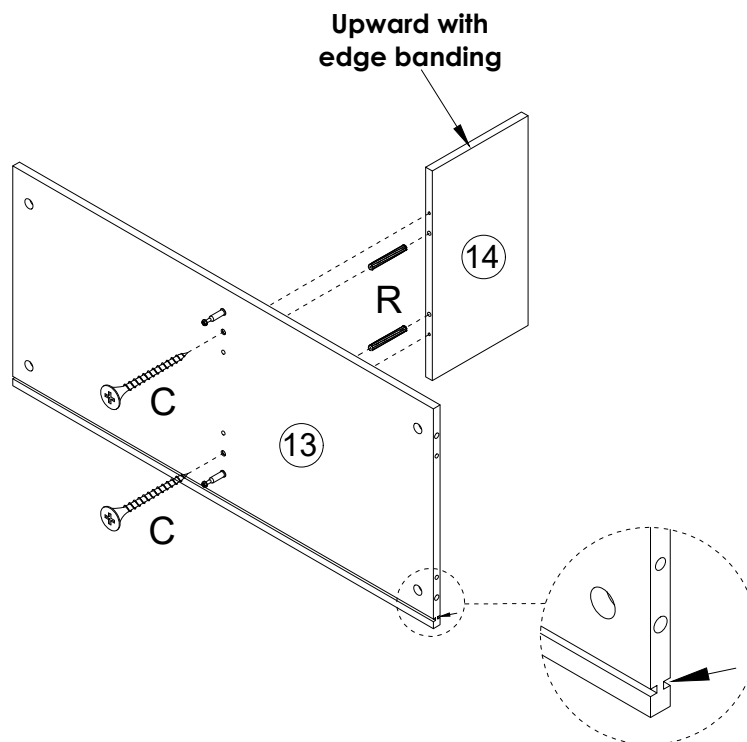


# Assembly Instructions

## step 1

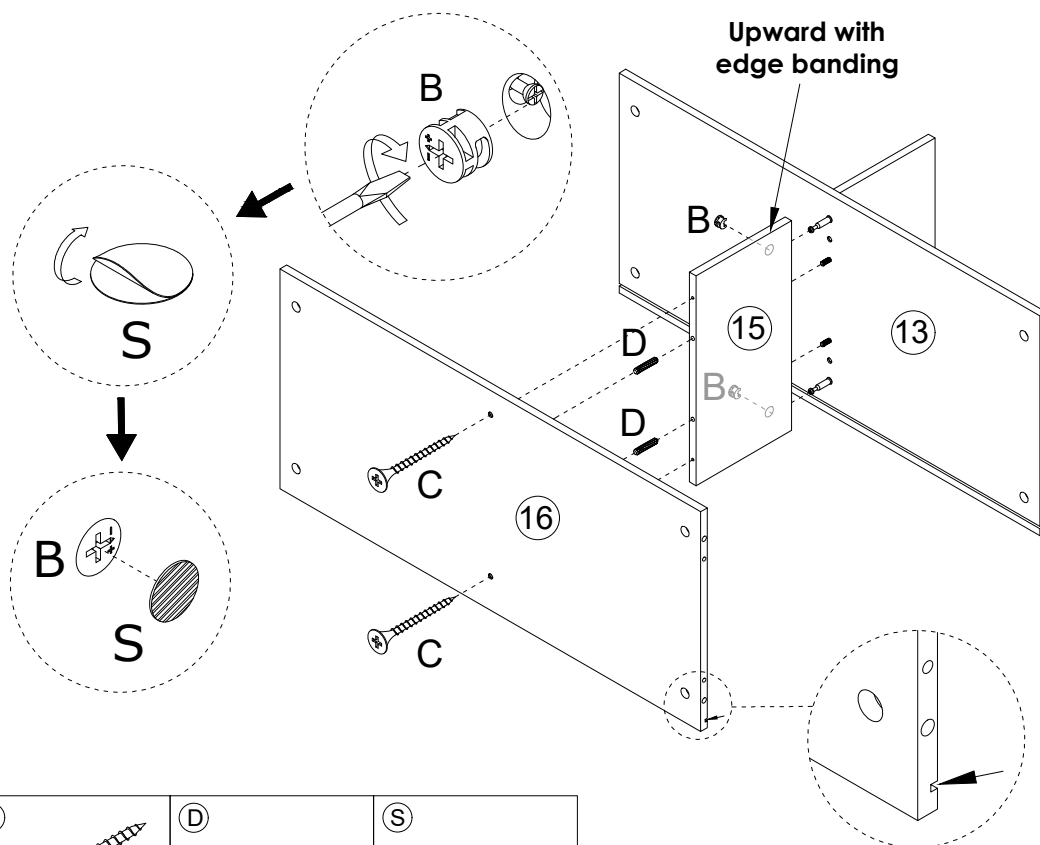



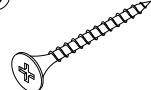
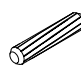

## step 2



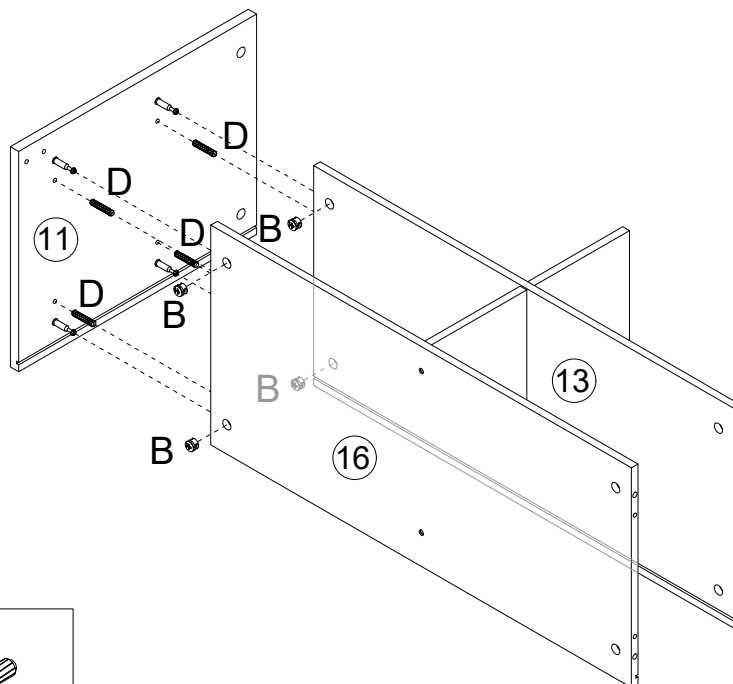
# Assembly Instructions


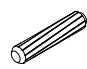
## step 3



<p><b>B</b></p>  <p>Ø15*9mm Cam lock x 2</p>	<p><b>C</b></p>  <p>4*40mm Screw x 2</p>	<p><b>D</b></p>  <p>6*30mm Dowel x 2</p>	<p><b>S</b></p>  <p>Ø20mm Cap Sticke x 2</p>
---	---	---	---

## step 4

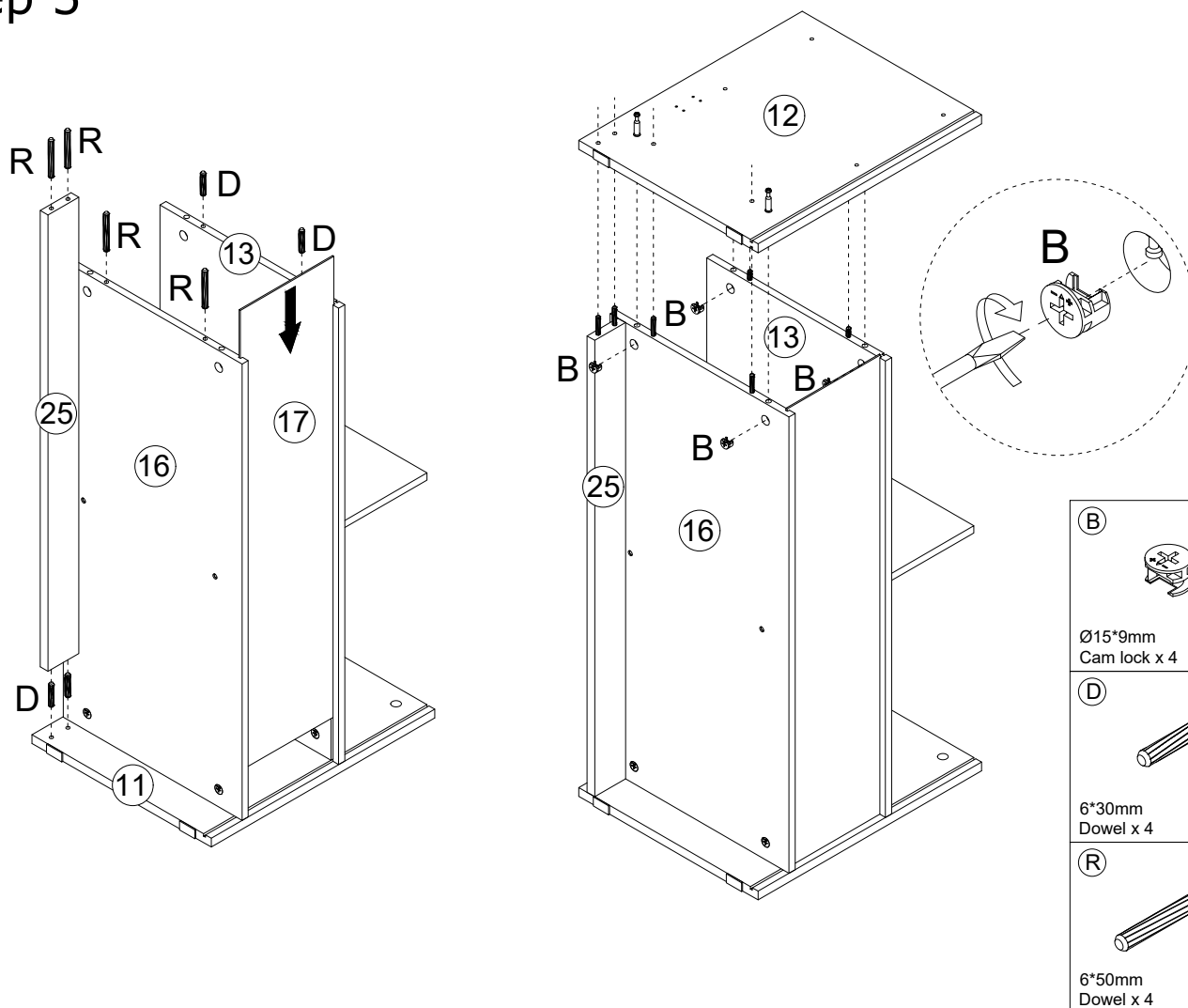


<p><b>B</b></p>  <p>Ø15*9mm Cam lock x 4</p>	<p><b>D</b></p>  <p>6*30mm Dowel x 4</p>
---	---

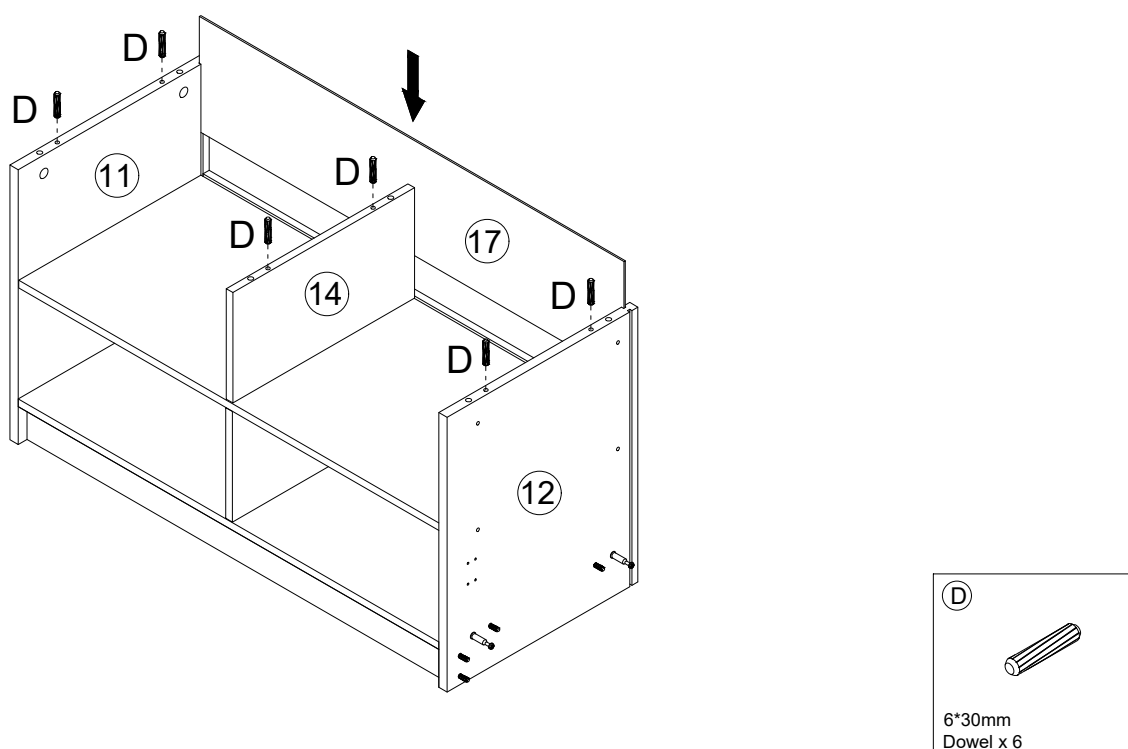


# Assembly Instructions

## step 5

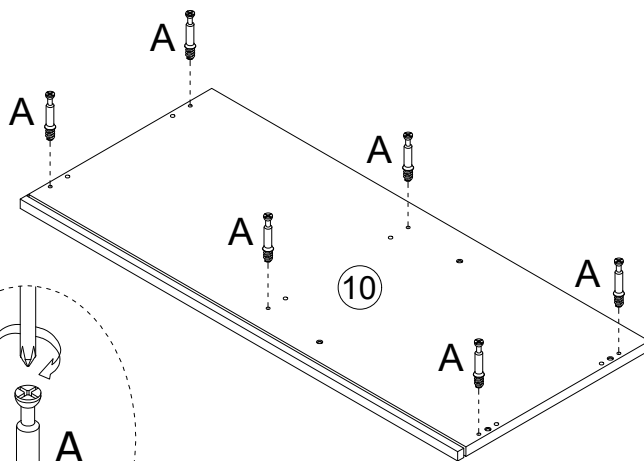
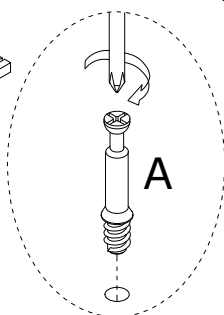
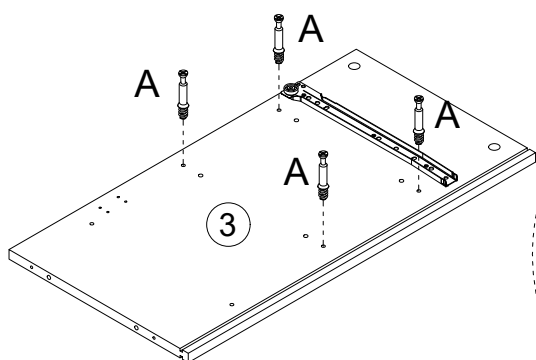
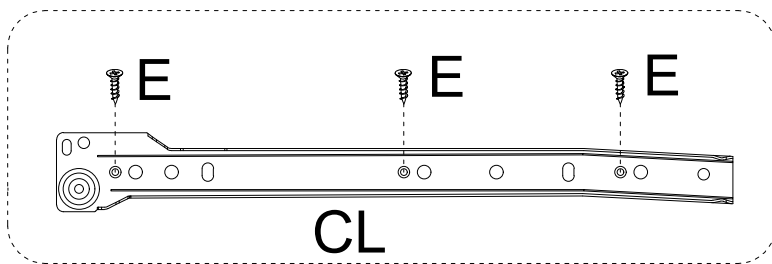
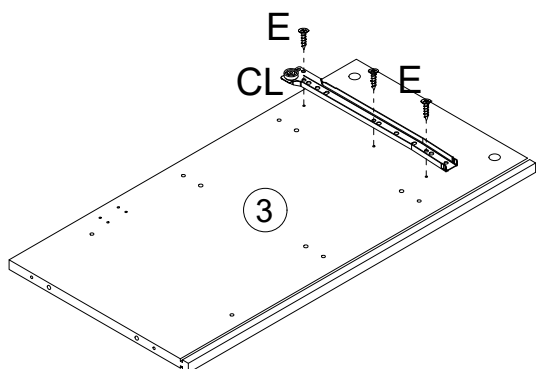


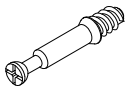
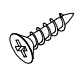
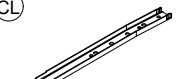
## step 6



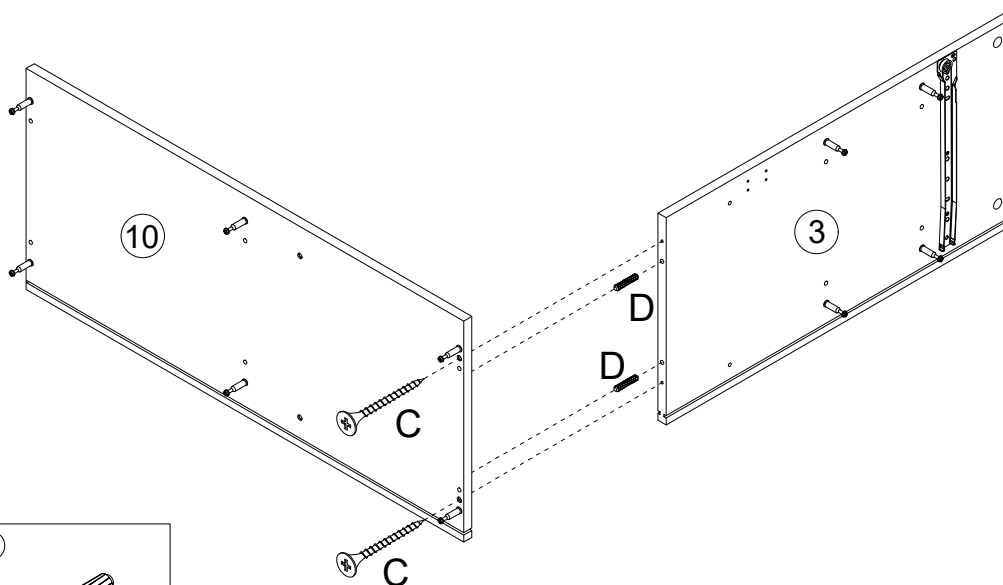
# Assembly Instructions

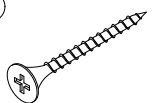
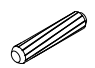
## step 7



<p>(A)</p>  <p>Ø6*35mm Cam Bolt x 10</p>	<p>(E)</p>  <p>3*12mm Screw x 3</p>	<p>(CL)</p>  <p>300mm Runner x 1</p>
---	--	---

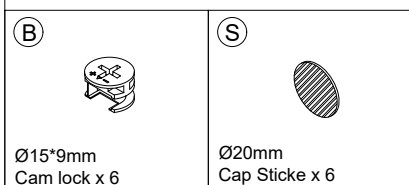
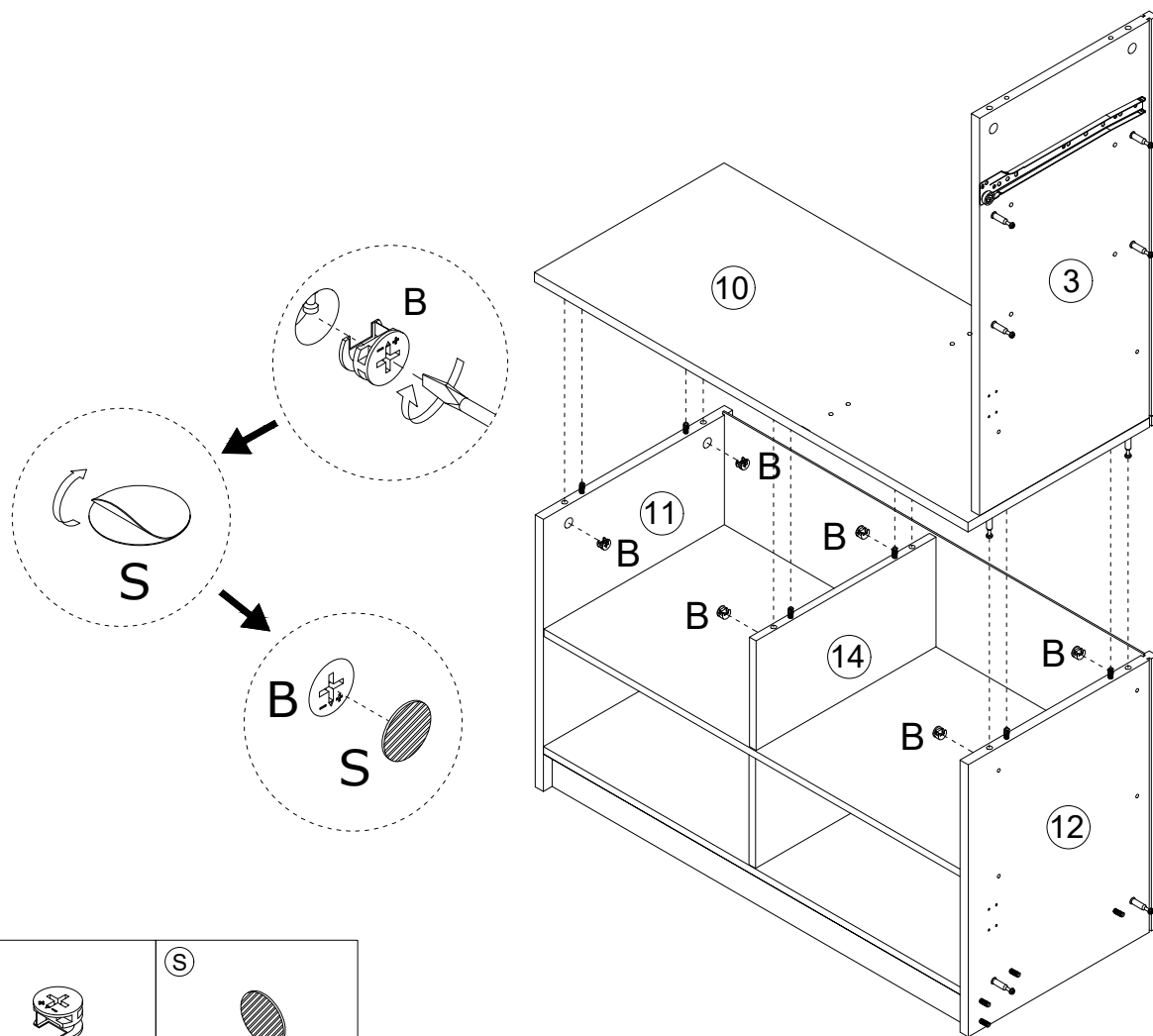
## step 8



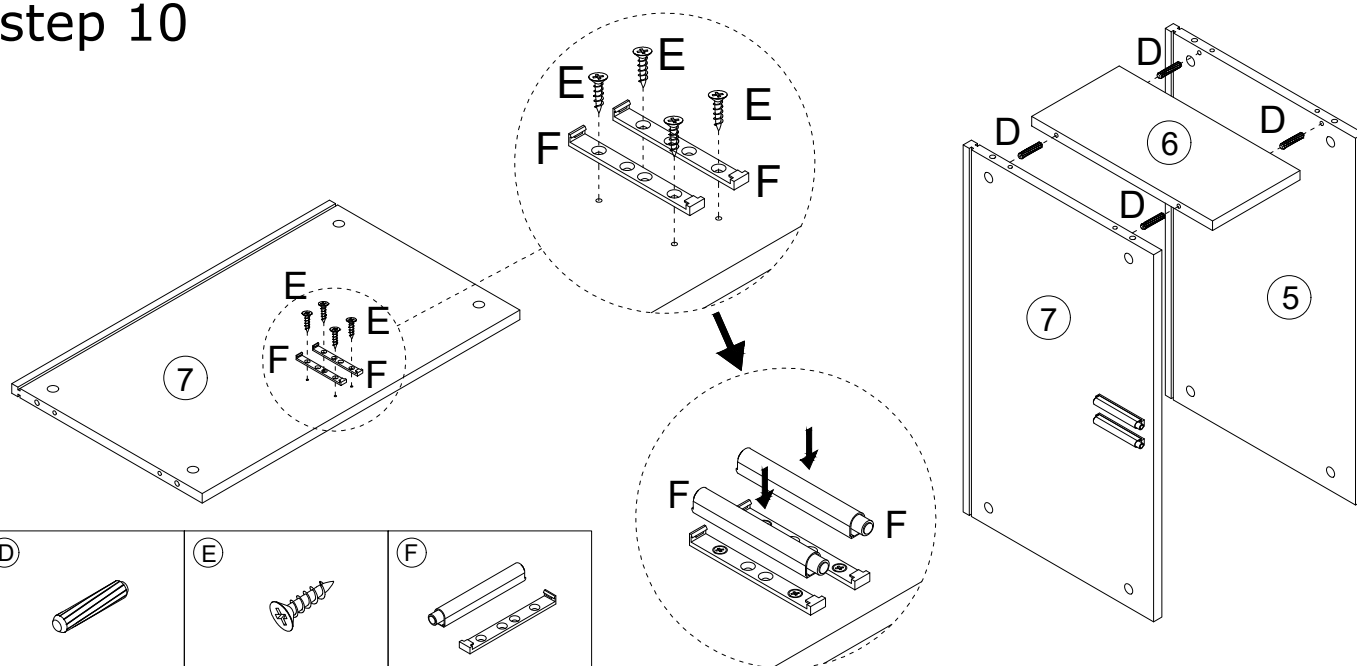
<p>(C)</p>  <p>4*40mm Screw x 2</p>	<p>(D)</p>  <p>6*30mm Dowel x 2</p>
--	--

# Assembly Instructions

## step 9

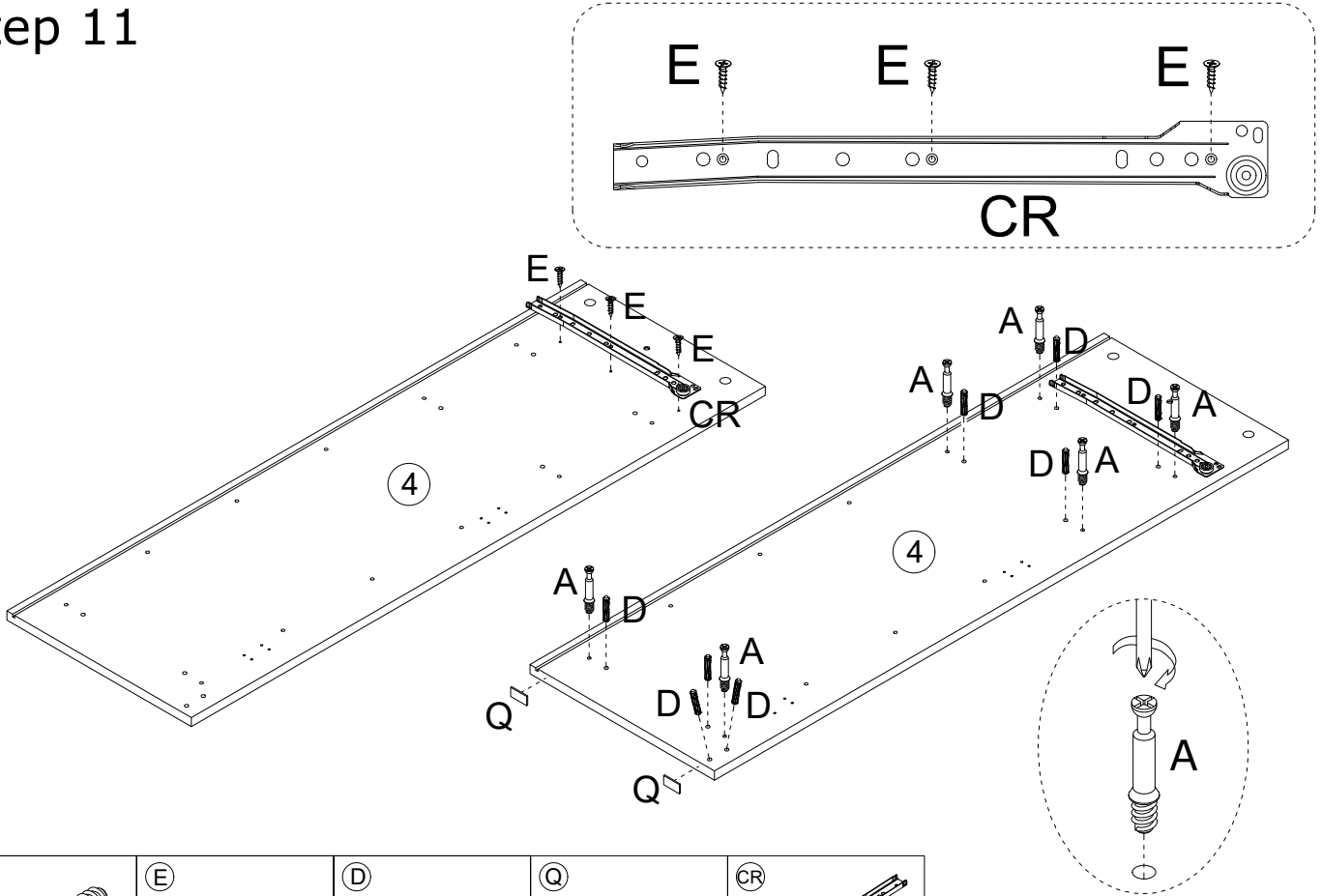


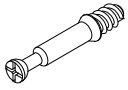
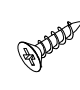

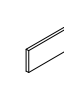
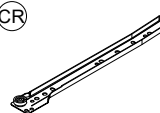
## step 10



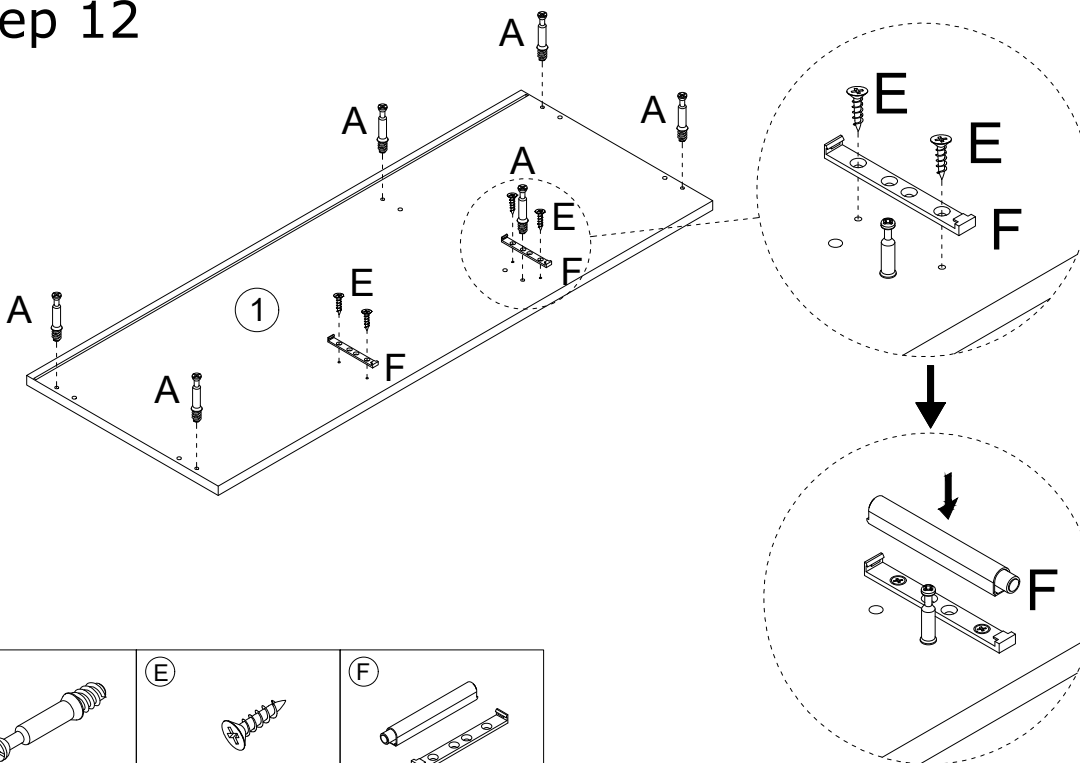
# Assembly Instructions

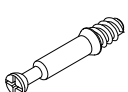
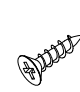
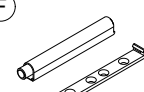
## step 11



<p>(A) </p> <p>Ø6*35mm Cam Bolt x 6</p>	<p>(E) </p> <p>3*12mm Screw x 3</p>	<p>(D) </p> <p>6*30mm Dowel x 8</p>	<p>(Q) </p> <p>30*15mm Non-Slip mat x 2</p>	<p>(CR) </p> <p>300mm Runner x 1</p>
--	--	--	--	--

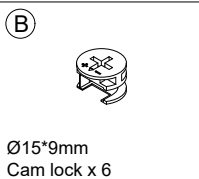
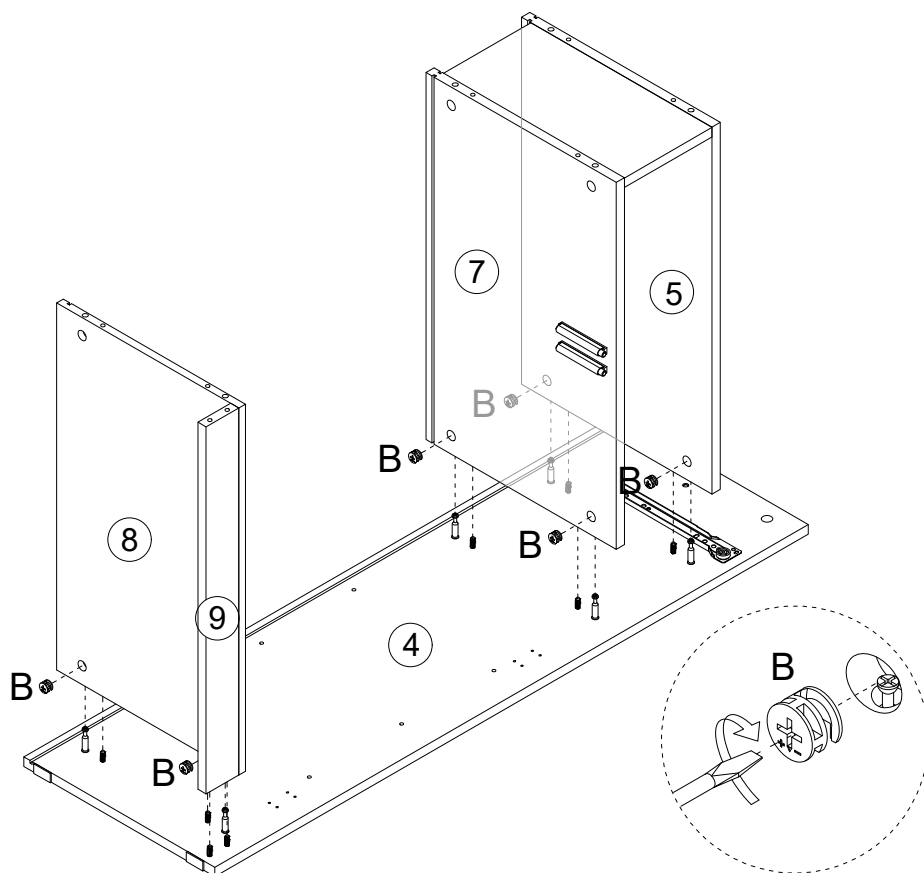
## step 12



<p>(A) </p> <p>Ø6*35mm Cam Bolt x 6</p>	<p>(E) </p> <p>3*12mm Screw x 4</p>	<p>(F) </p> <p>Pusher x 2</p>
--	--	--

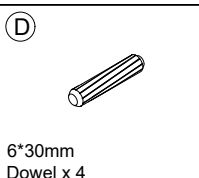
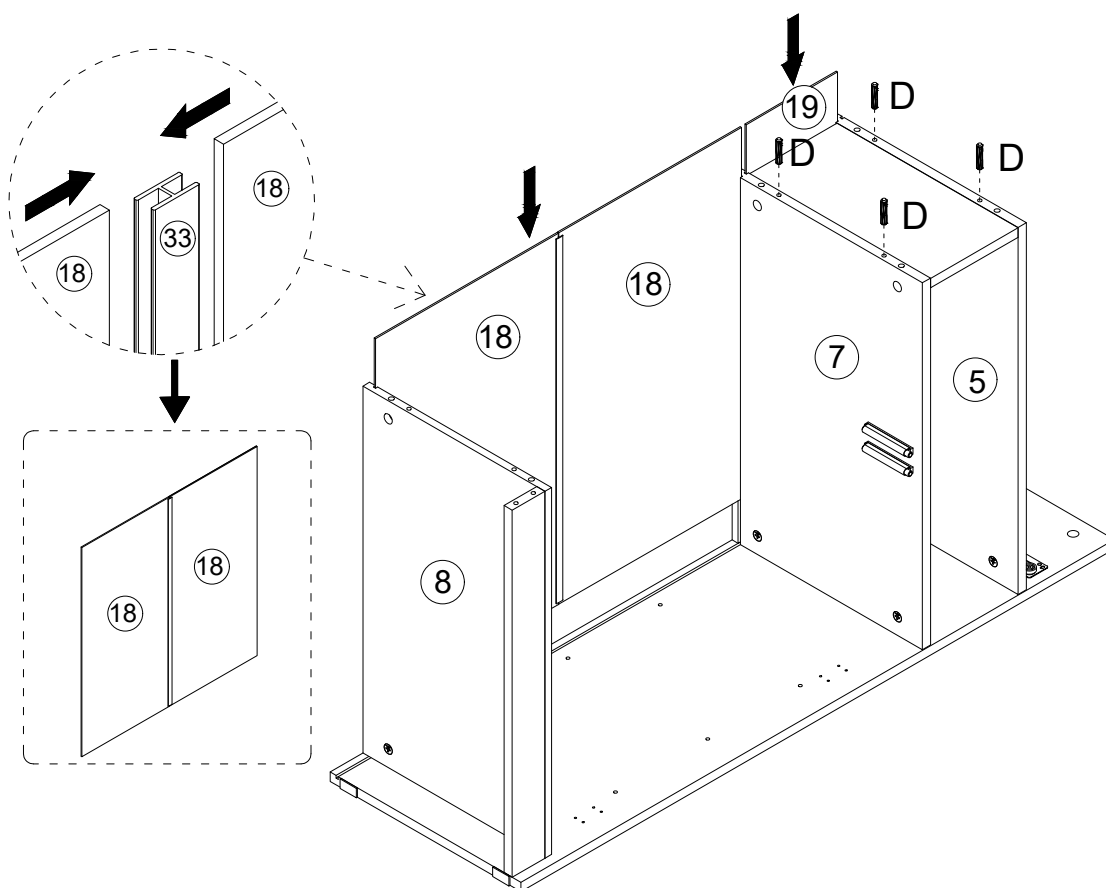
# Assembly Instructions

## step 13



Ø15\*9mm  
Cam lock x 6

## step 14

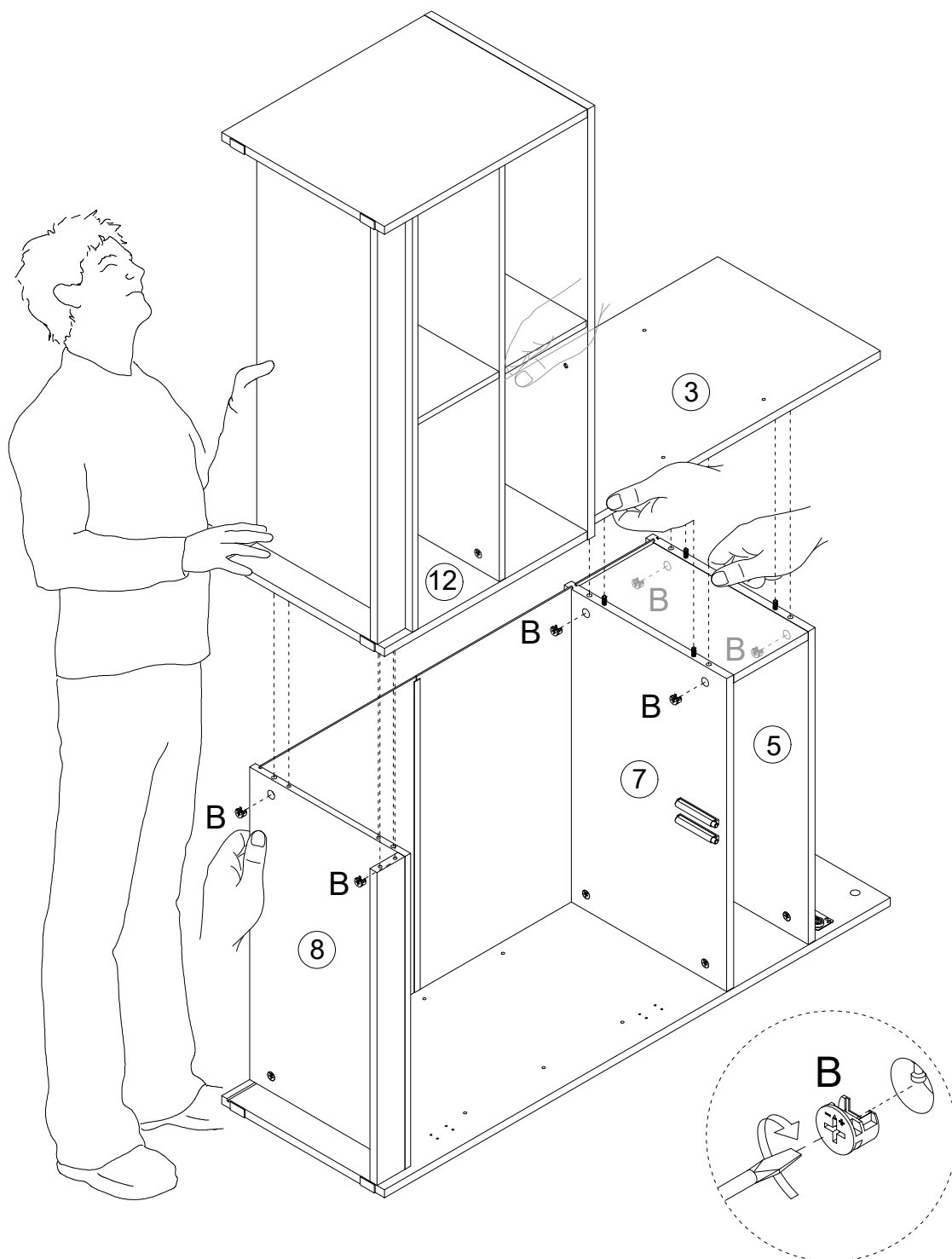


6\*30mm  
Dowel x 4

# Assembly Instructions

## step 15

This step requires 3 people to complete the assembly together.



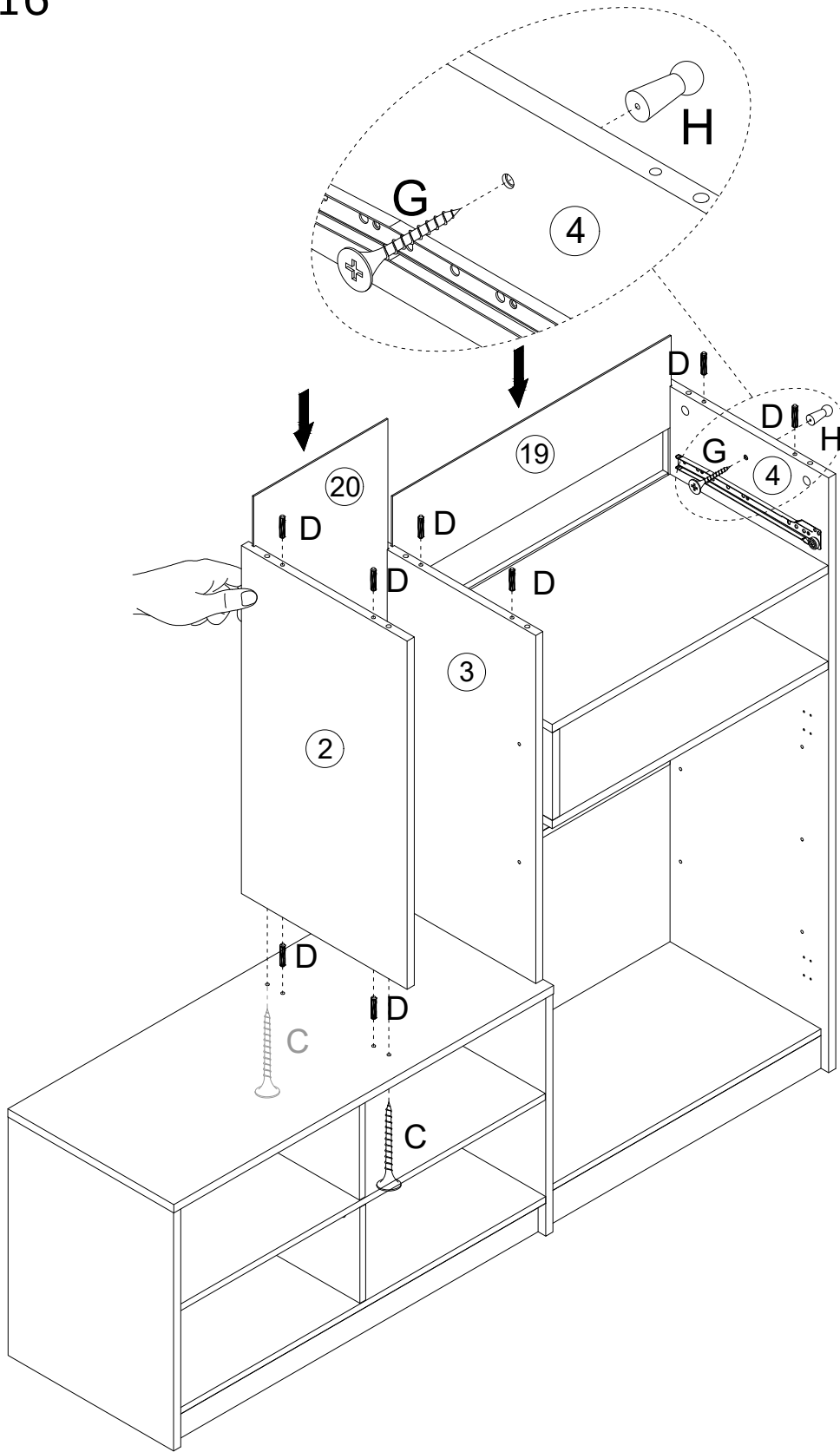
(B)

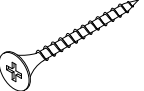
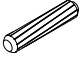
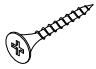



Ø15\*9mm  
Cam lock x 6

# Assembly Instructions

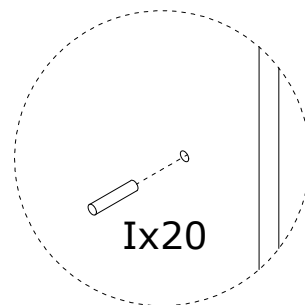
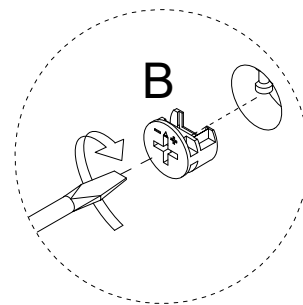
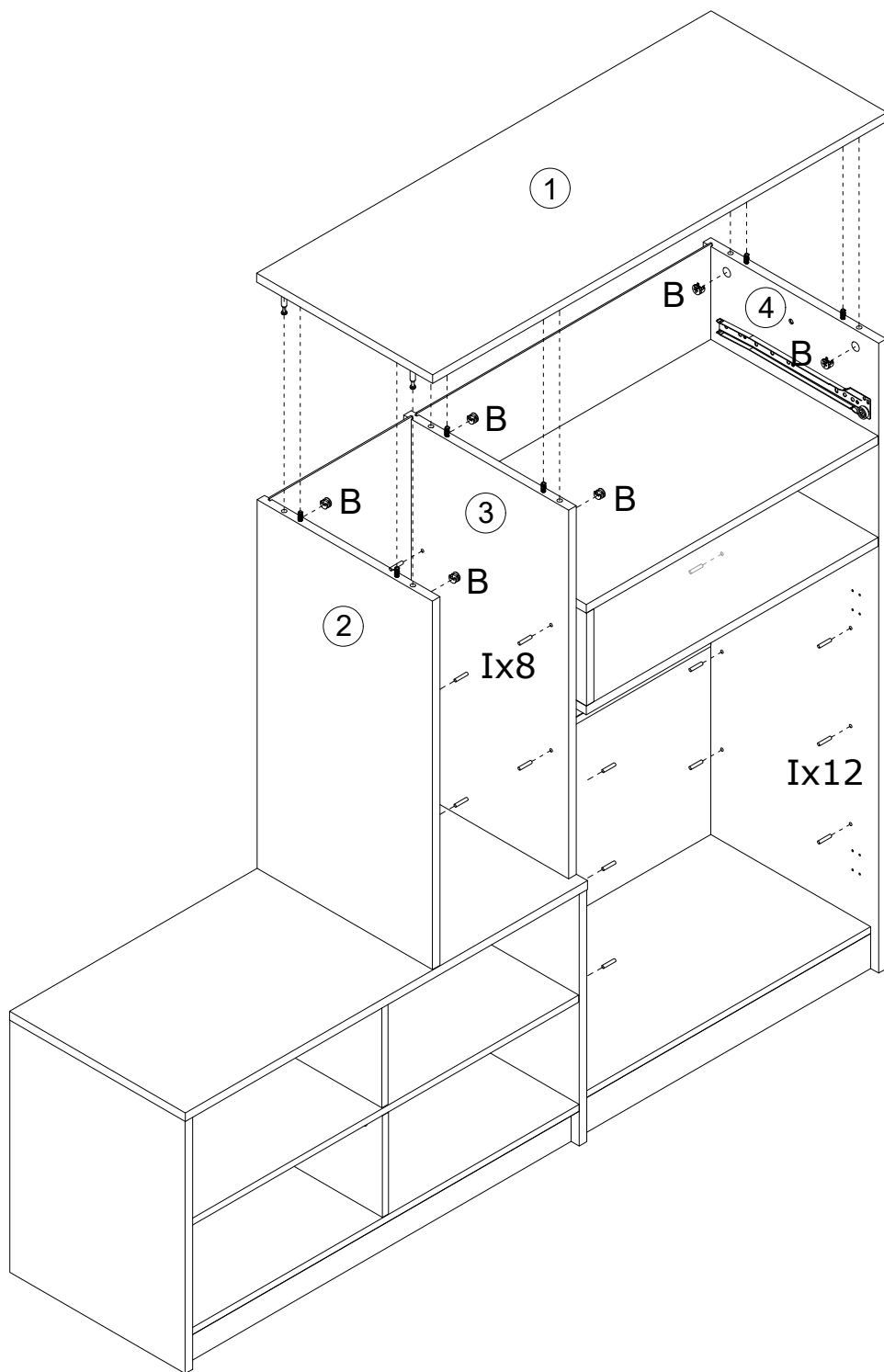
## step 16


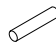


<b>C</b>  4*40mm Screw x 2	<b>D</b>  6*30mm Dowel x 8	<b>G</b>  4*25mm Screw x 1	<b>H</b>  Handle x 1
--	--	--	---

# Assembly Instructions

## step 17

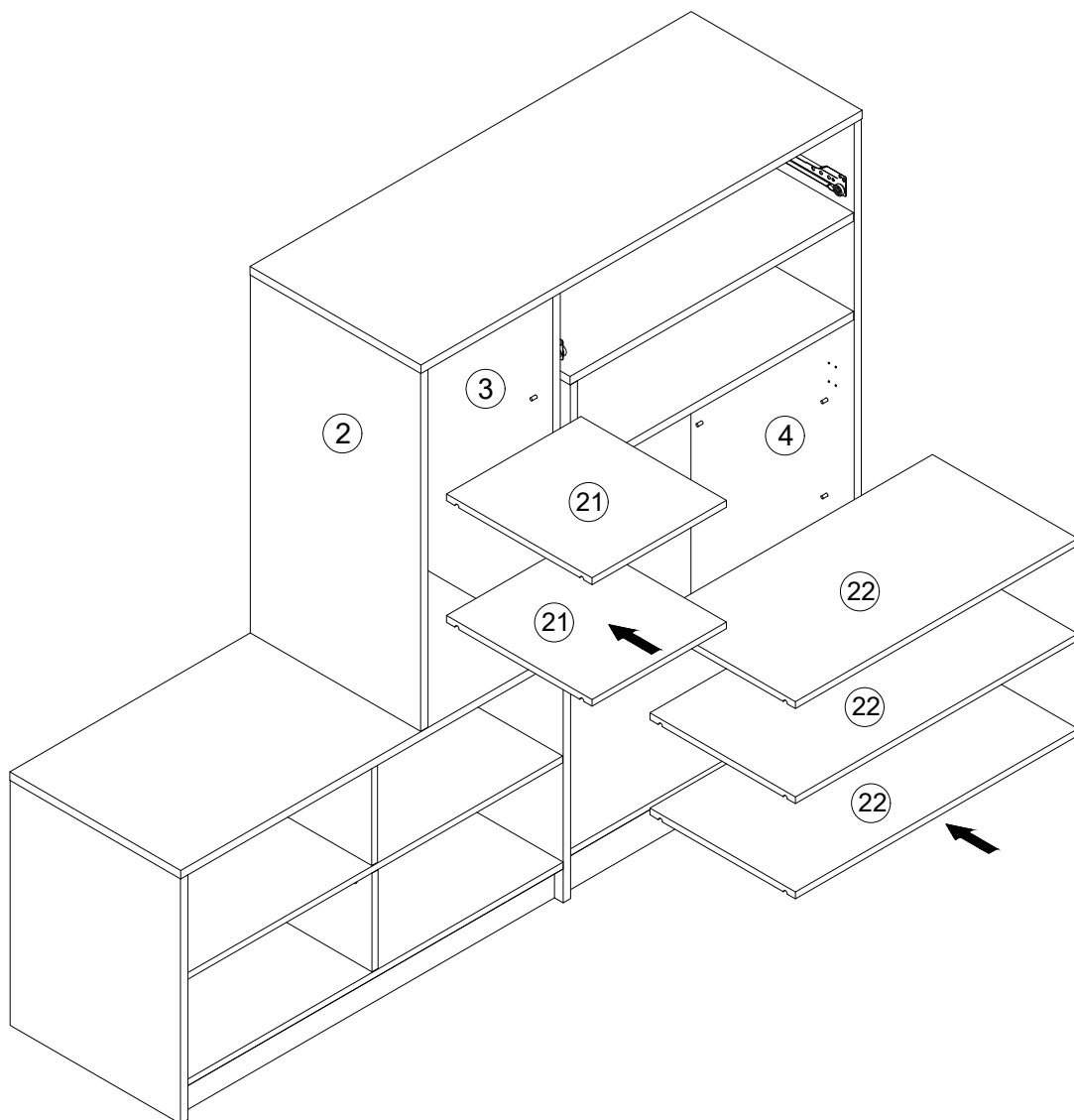


<p>(B)</p>  <p>Ø15*9mm Cam lock x 6</p>	<p>(I)</p>  <p>5*20mm Shelf support pin x 20</p>
--	---

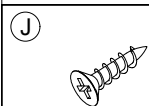
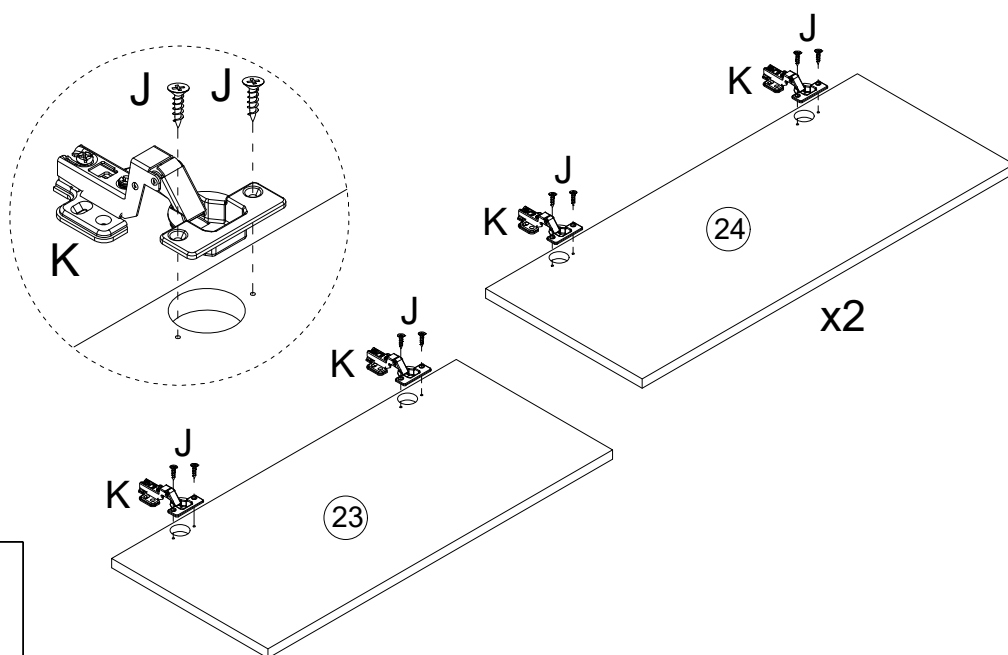


# Assembly Instructions

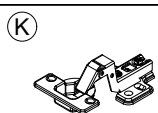
## step 18



## step 19



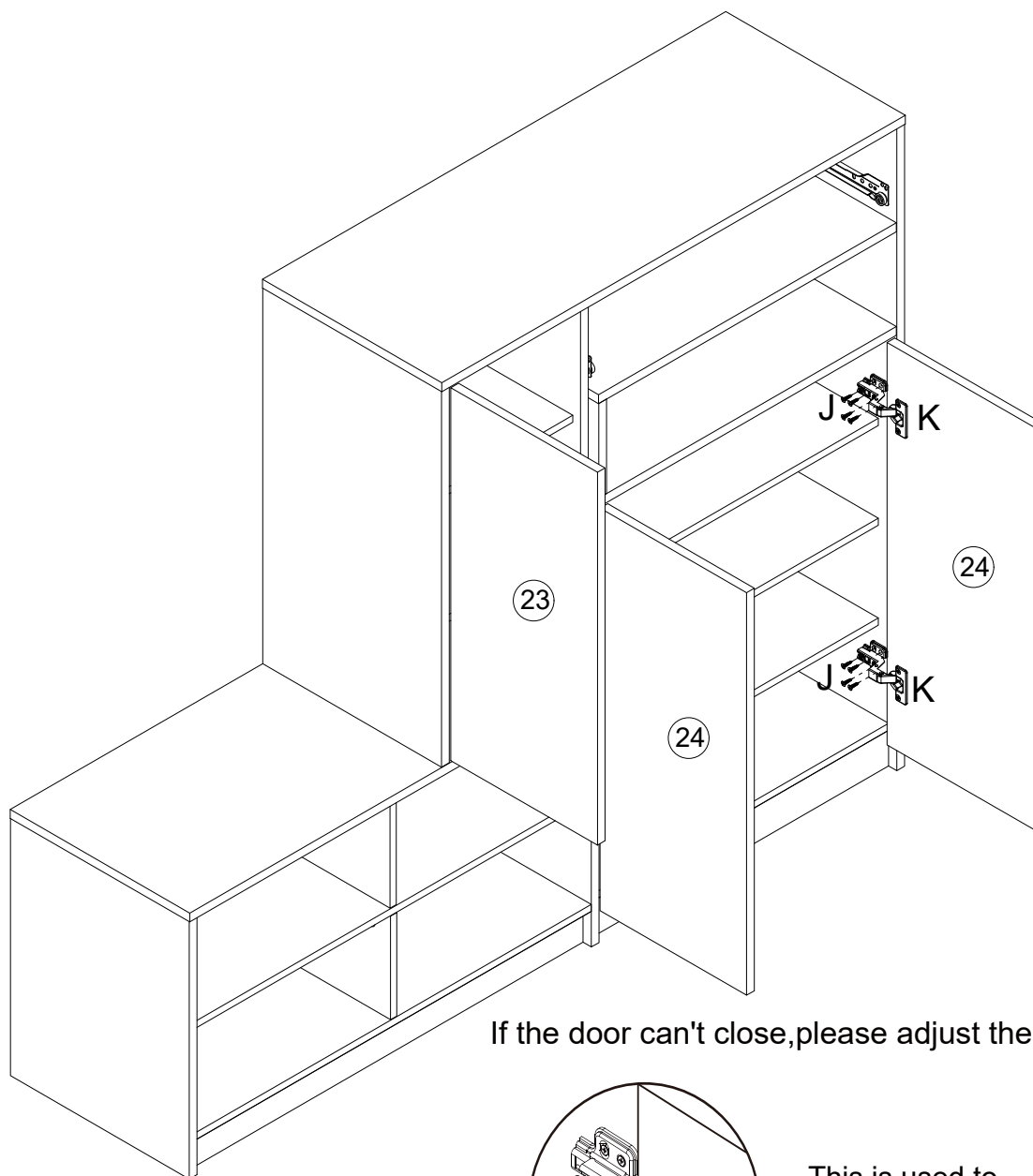
3.5\*12mm  
Screw x 12



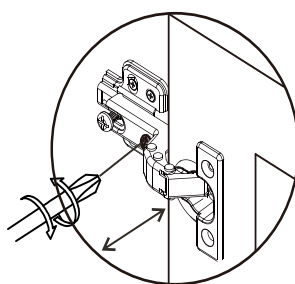
Ø26mm  
Hinge x 6

# Assembly Instructions

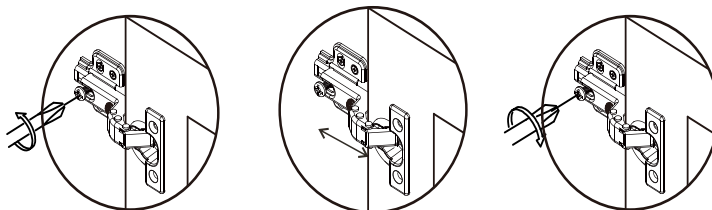
## step 20



If the door can't close, please adjust the hinges.



This is used to adjust the door panel in the up and down direction.



This is used to adjust the door panel in the front and back direction: Loosen the screw first, and then tighten screw after adjusting the door panel to the proper position.

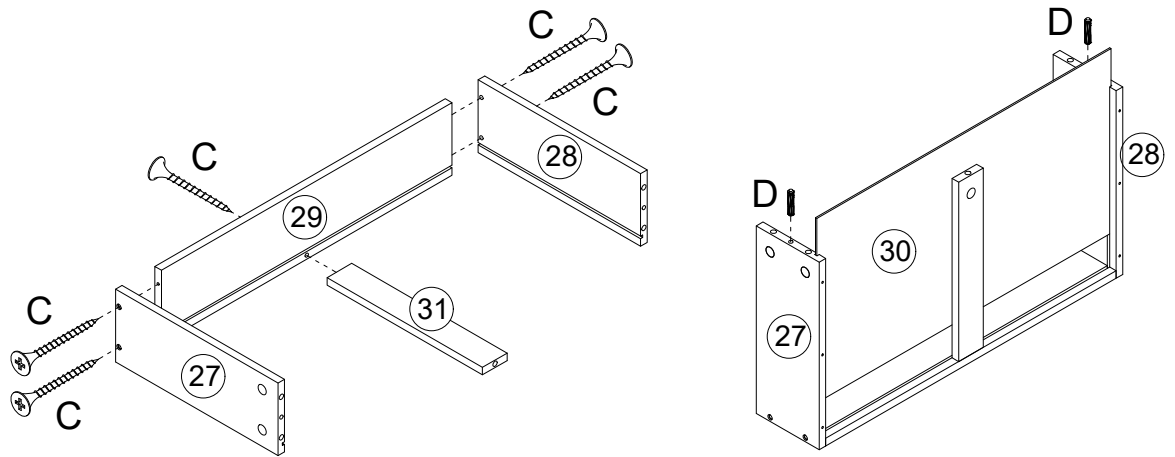
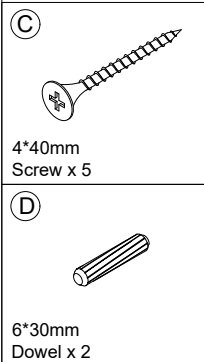
J



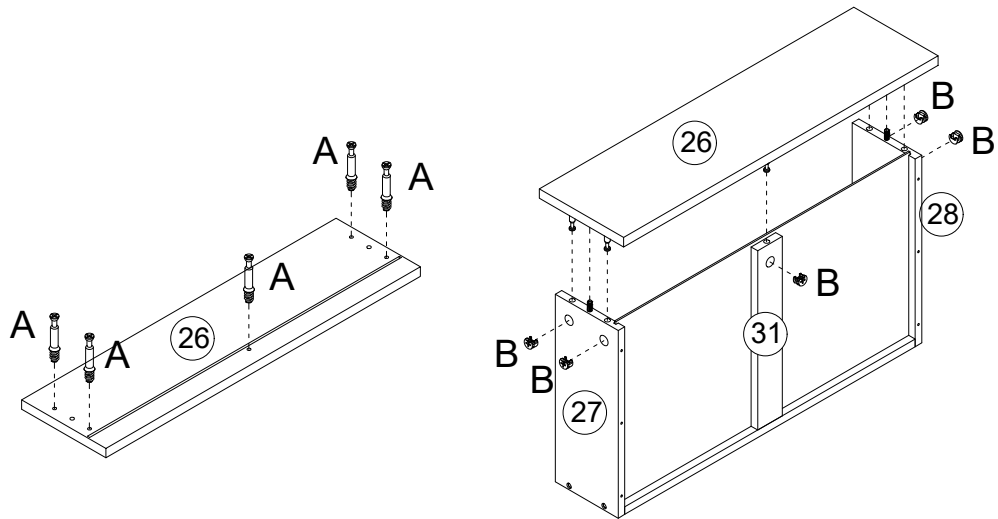
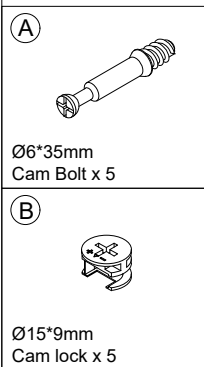
3.5\*12mm  
Screw x 24

# Assembly Instructions

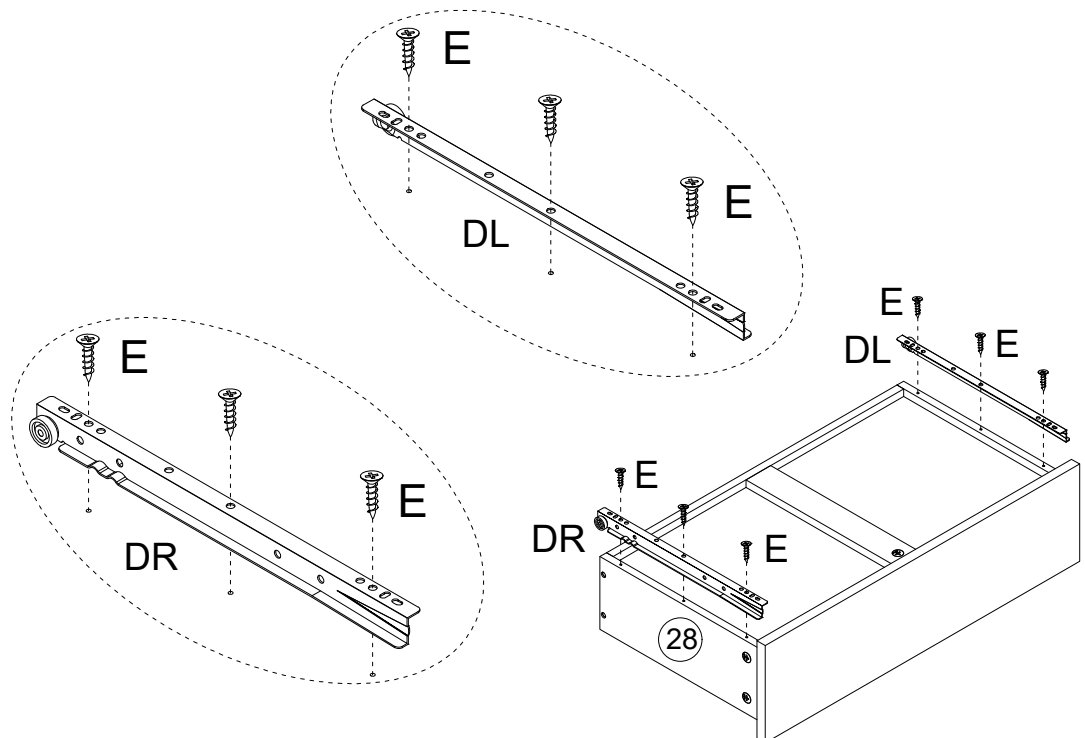
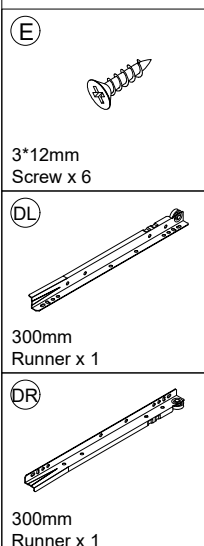
## step 21



## step 22

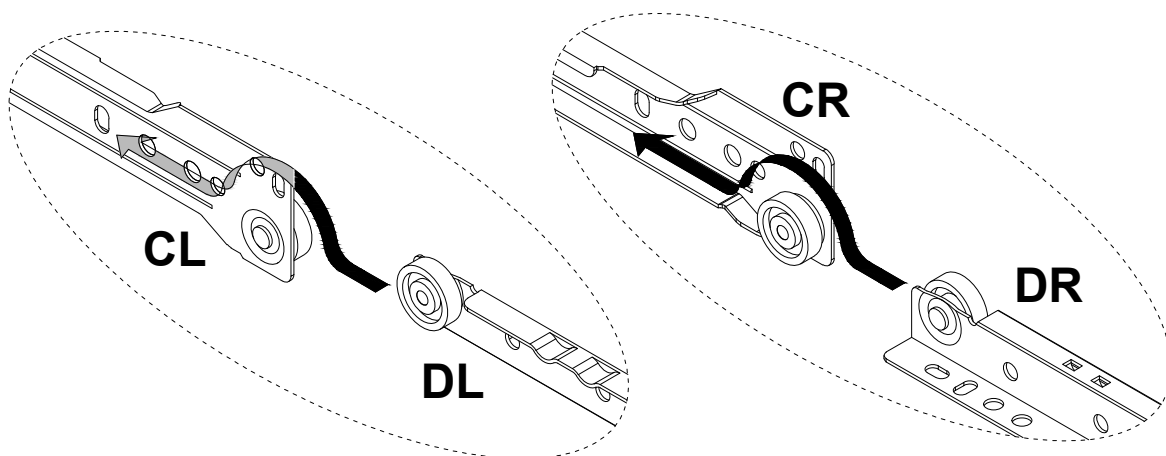
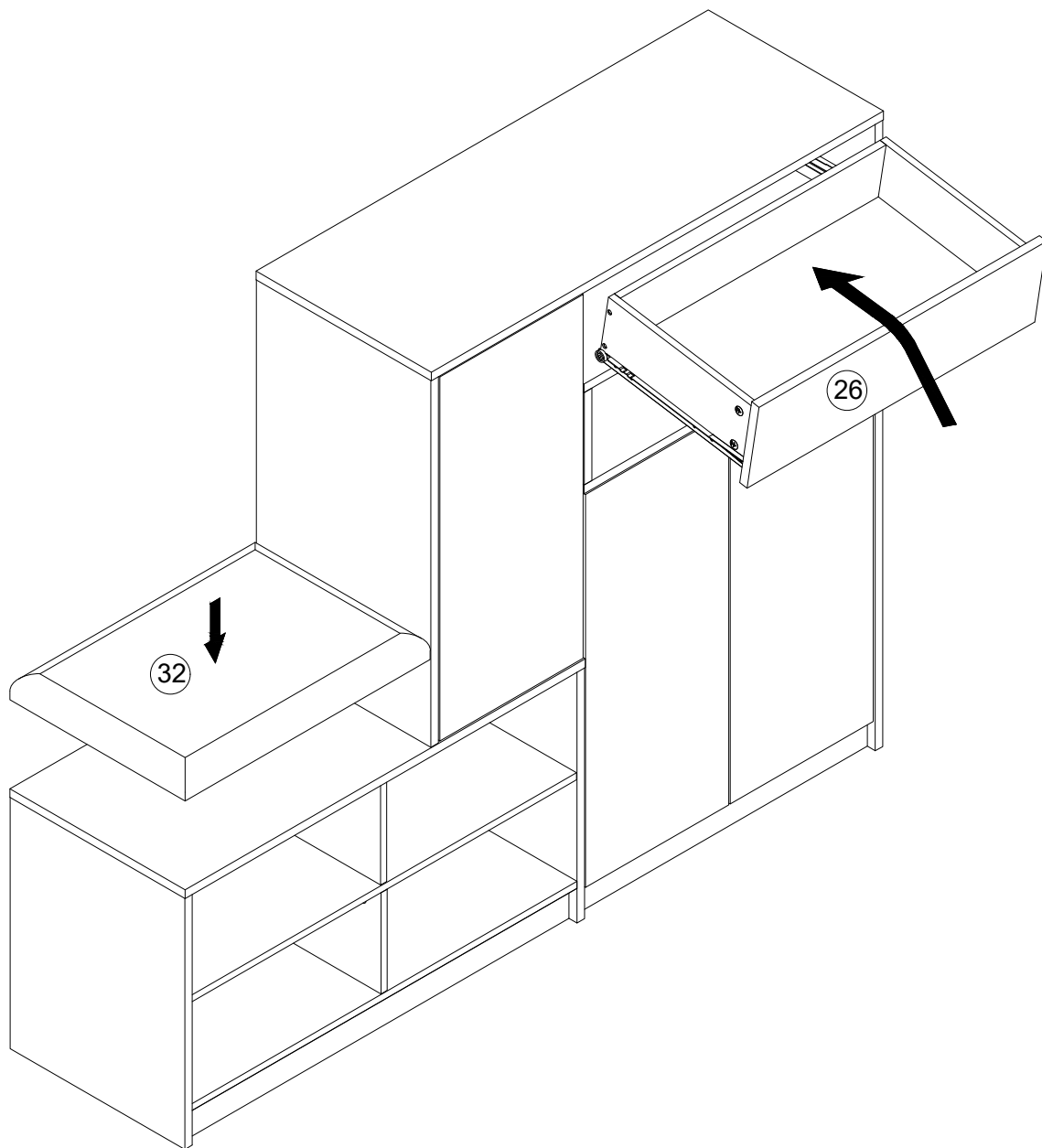


## step 23



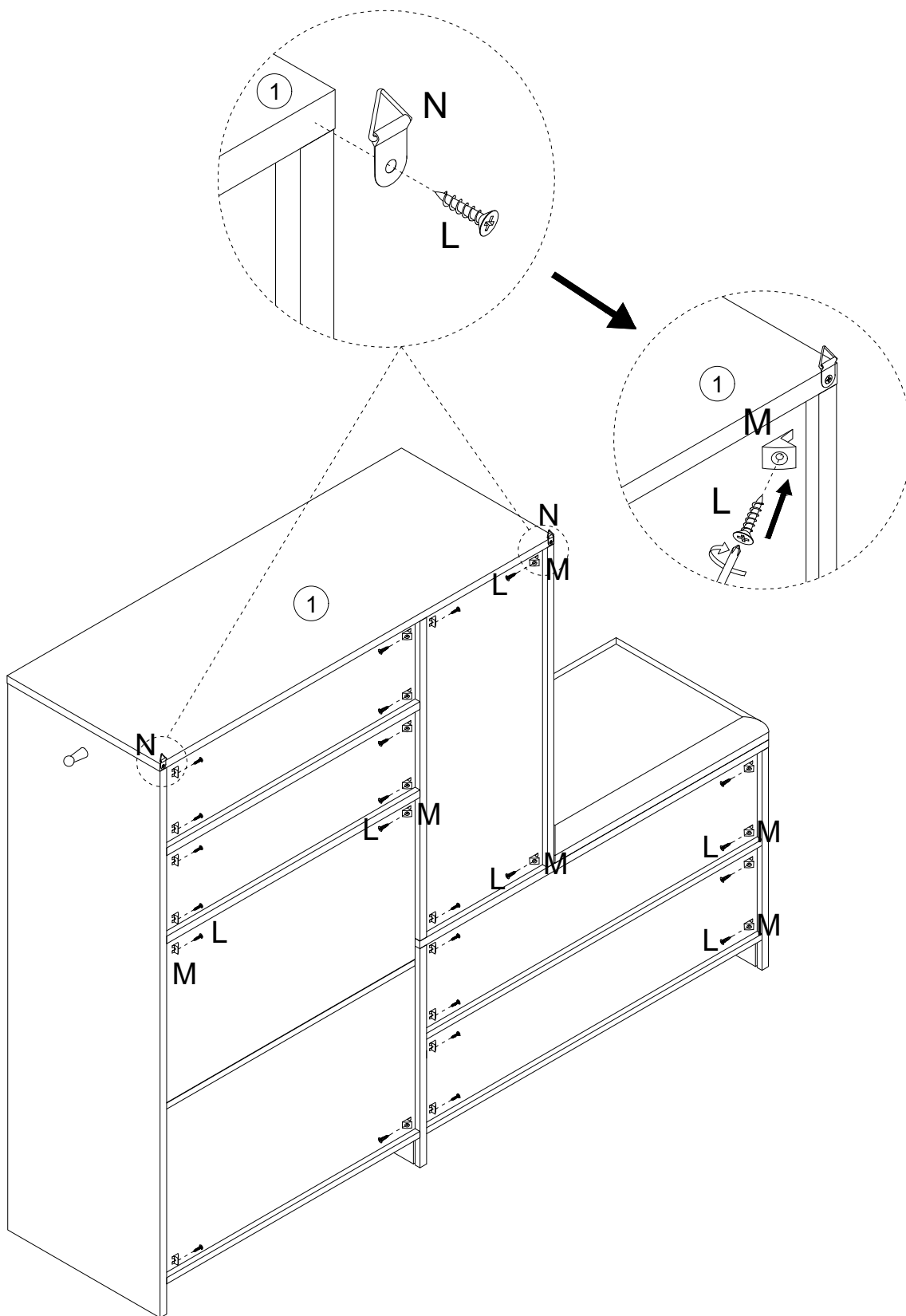
# Assembly Instructions

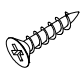


step 24



# Assembly Instructions

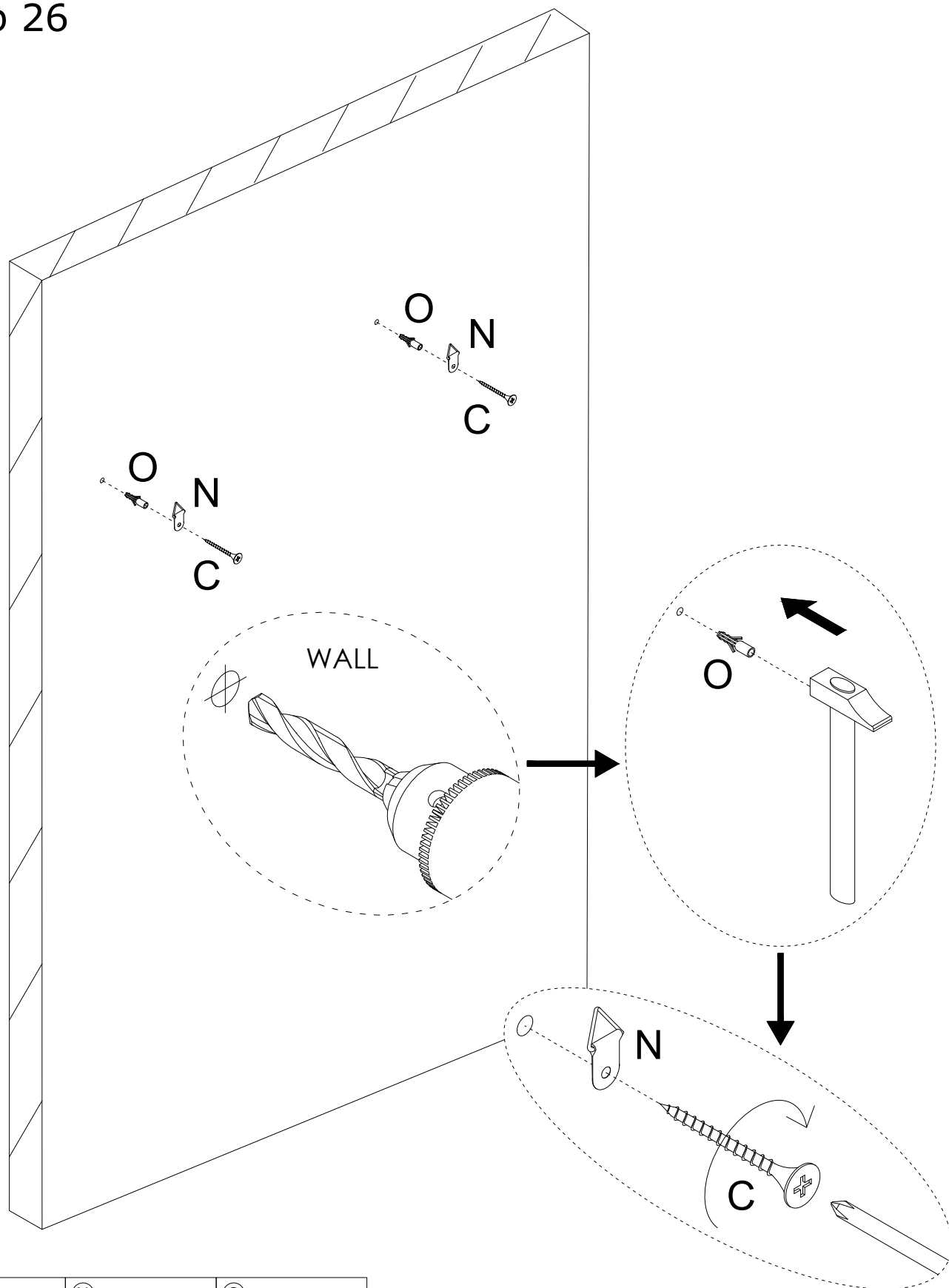
## step 25






<p>(L)</p>  <p>3*14mm Screw x 26</p>	<p>(M)</p>  <p>Plastic Nail x 24</p>	<p>(N)</p>  <p>Wall Hanger x 2</p>
---	---	---

# Assembly Instructions

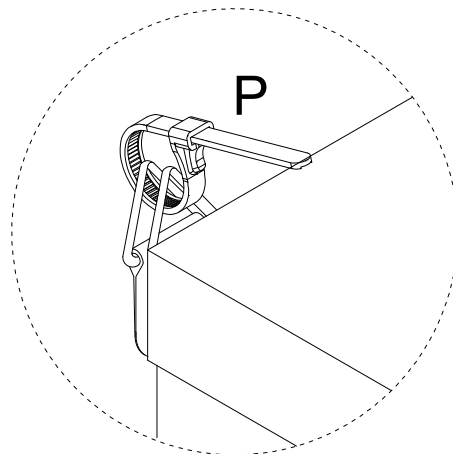
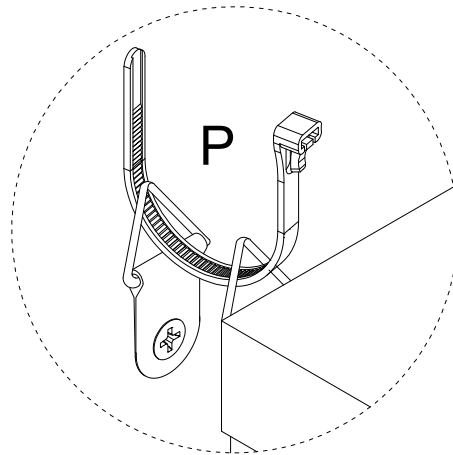
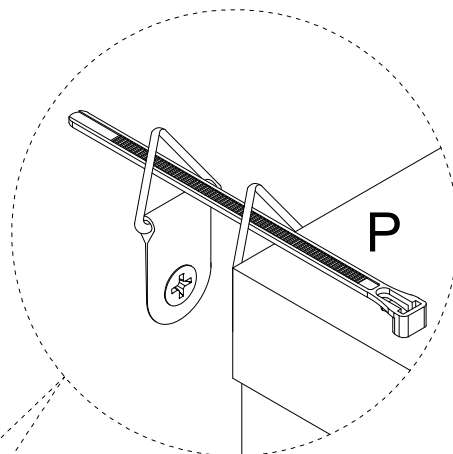
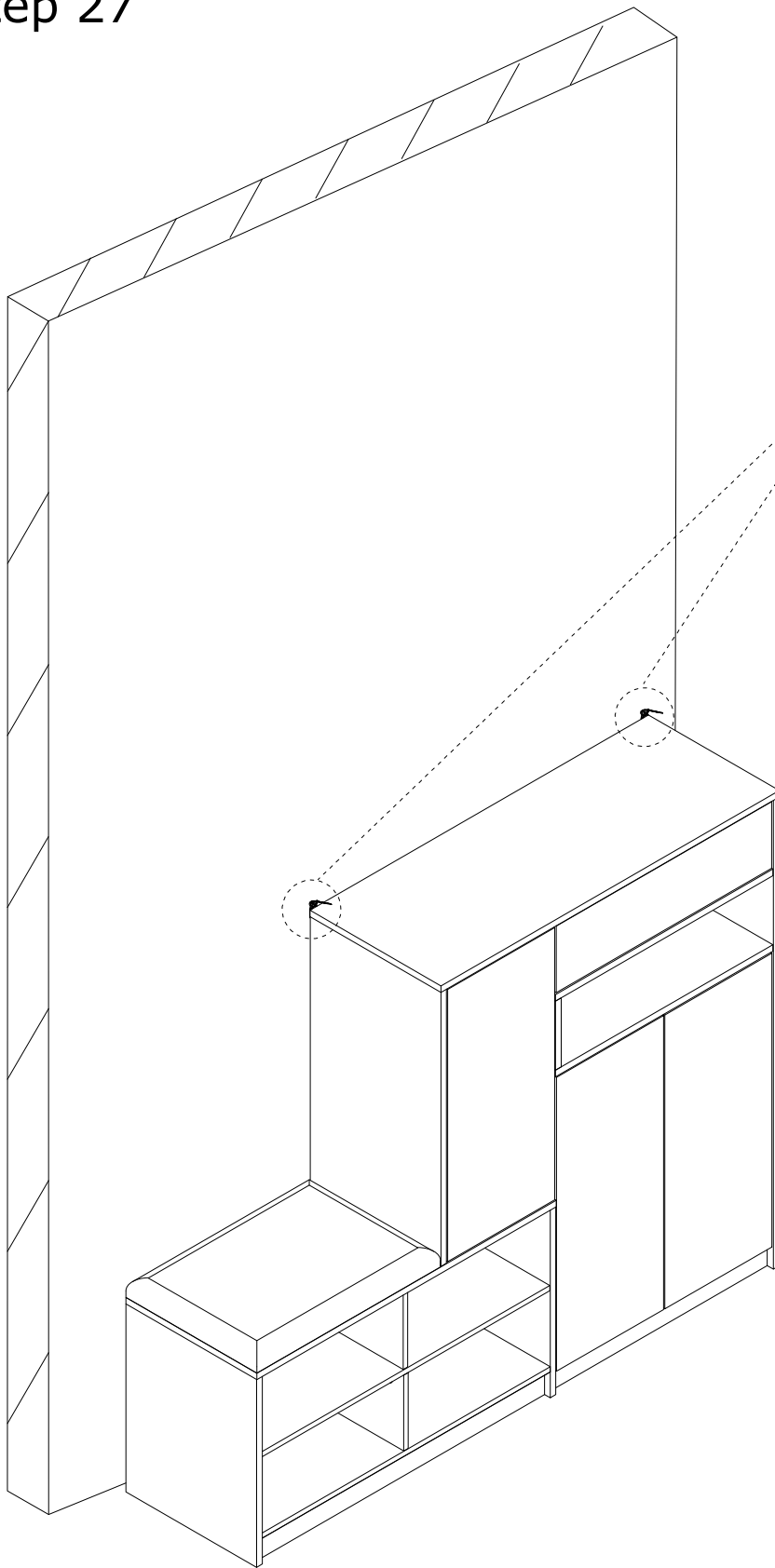
step 26



<p>(C)</p>  <p>4*40mm Screw x 2</p>	<p>(N)</p>  <p>Wall Hanger x 2</p>	<p>(O)</p>  <p>6*30mm Wall Anchor x 2</p>
--	---	--

# Assembly Instructions

step 27



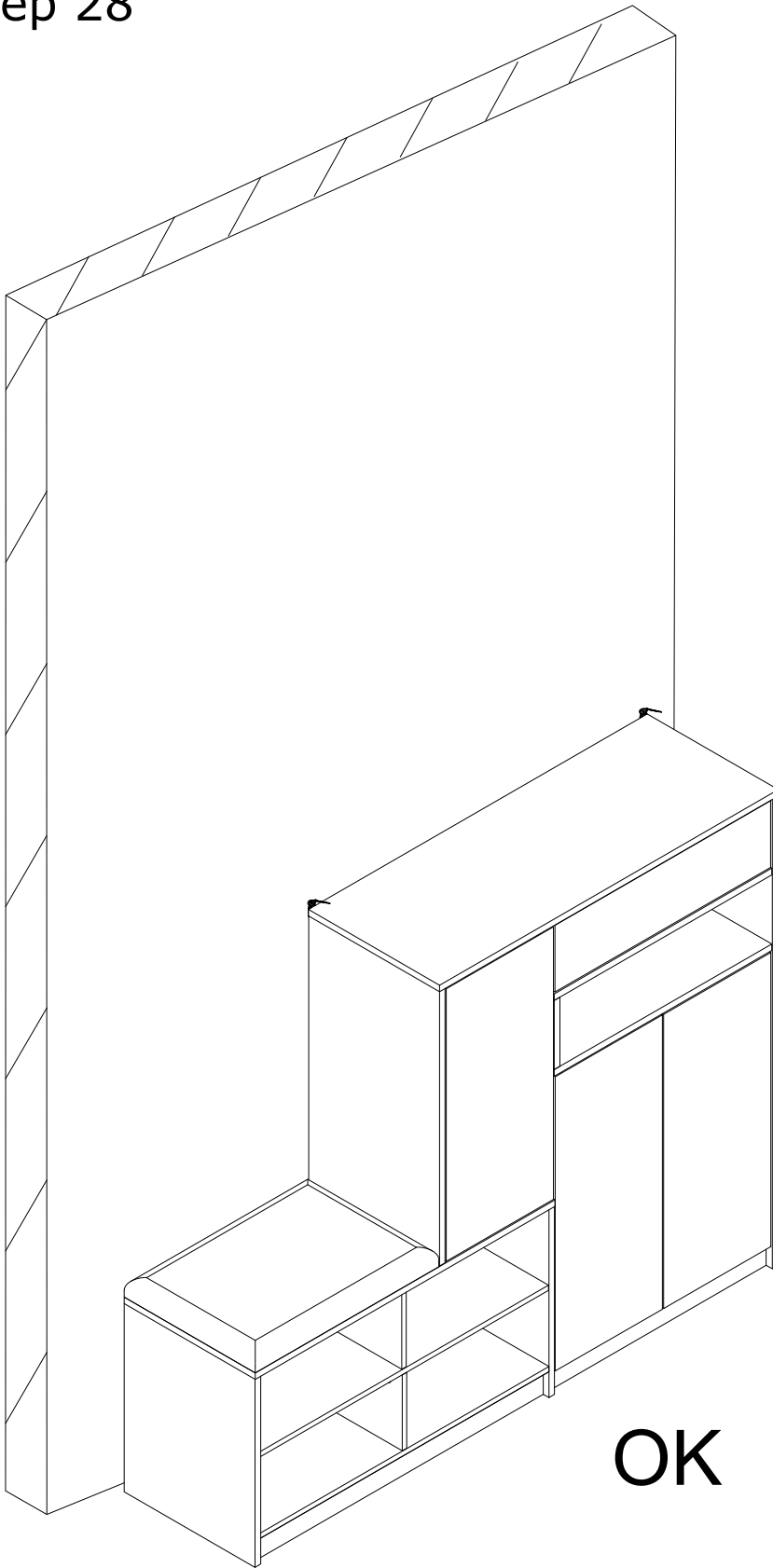
(P)



Strap x 2

# Assembly Instructions

step 28



OK