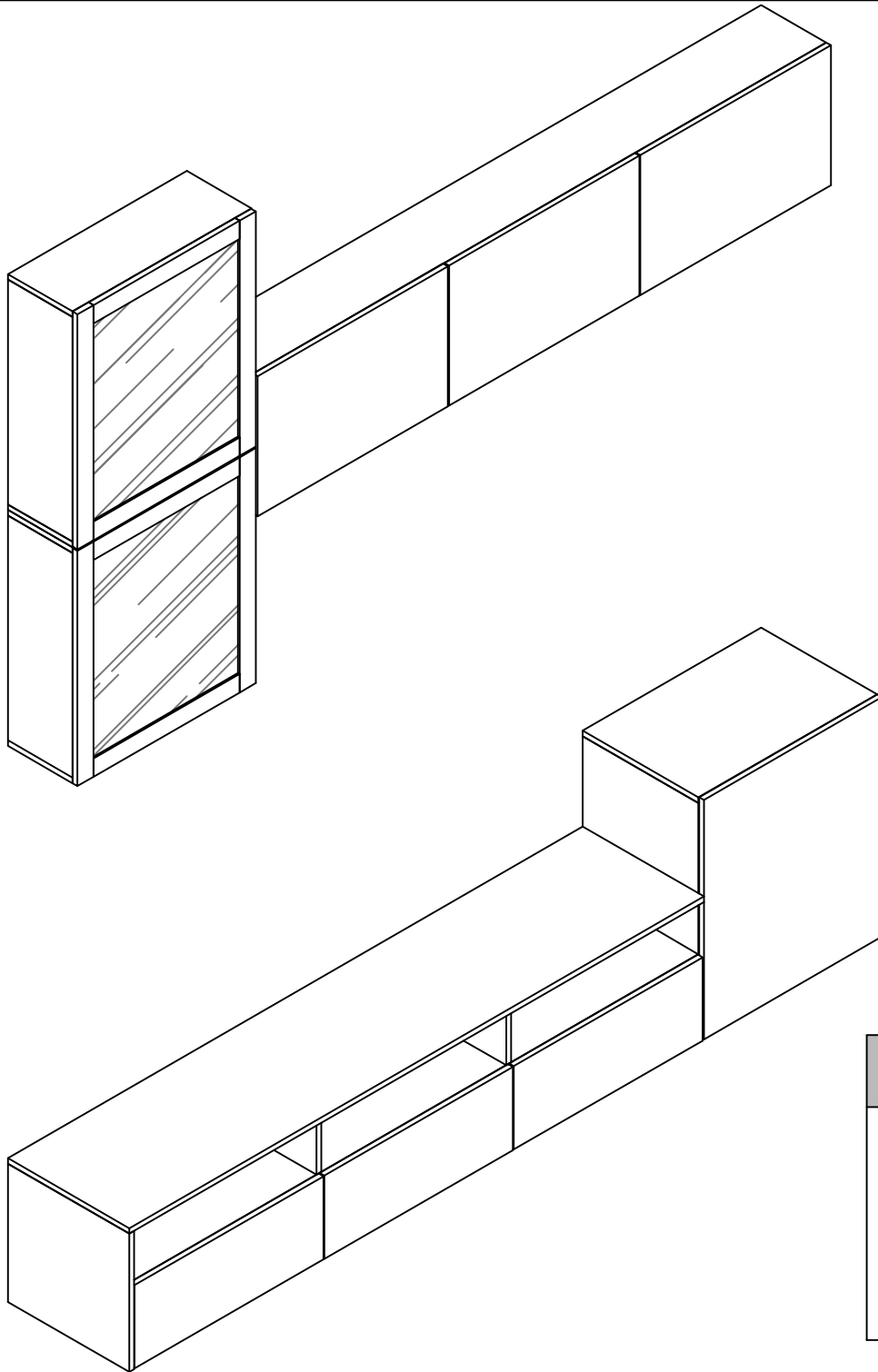


TV cabinet

Assembly Instructions - Please keep for future reference



Dimensions

Width-92.91inch
Depth-14.96inch
Height-90.55inch

Important - please read these instructions fully before starting assembly

1. Thank you for choosing ***our products.***

2. Return Policy








DO NOT RETURN TO THE STORE! Skip the process of returning your product and contact us directly for a replacement

If you find that parts of your order are missing or damaged, we will gladly ship any needed replacement parts free of charge.

If your product's quality does not meet your expectations or you have found any sort of defect, please contact our customer service department and let us know the details of your order and any issues encountered, we will try our best to provide you with a solution. Feel free to also directly contact our manufacturer concerning needed replacement parts and they will be happy to help provide you with a solution or answer any questions you may have.

Recommendations Before Beginning Assembly











-  Read instructions, cover to cover
-  Have 2-4 adults on hand for assembly depending on product size
-  Do not assemble directly on flooring or carpet
-  Assemble on a clean non-marring surface (example: packing foam)
-  Save all packaging until finished

3. Assembly Notice:

- If you encounter any problems during assembly and find that you cannot continue, rest assured we will help you solve the situation as soon as possible. Simply keep all of the parts of the product stored in a safe place and contact us immediately so we may assist you further.
- Once you have opened your package, remove all inner hardware packages and take the parts out. One by one, Place the parts out neatly in front of you, then refer to the instructions to ensure no parts are missing. If any pieces are found missing, please carefully look in the box first, as the hardware packaging might have torn making the hardware spill in the box.
- Some key parts of your product may be stored and hidden inside of other parts. Please open any zippered or hook & loop storage compartments to remove all parts. (example: cushions and legs being stored in the underside of a sofa)
- **IMPORTANT:** When setting up your product, **DO NOT INSTALL THE SCREWS ALL THE WAY IN THE BEGINNING.** Place each screw into their proper hole and use your hand to twist the screw halfway. Twist all the screws in halfway to ensure the holes will match up properly and the product is level on the ground. When everything seems fitted, then tighten the screws.

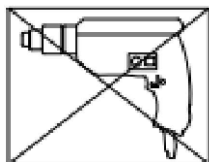
- When you have completed assembly, we suggest you have more than one person to assist you with lifting and placing the product.

Care & Maintenance

- ⊘  ● Do not put hot items directly on furniture surface
- ⊘  ● Do not clean furniture with harsh cleansers or polish
- ⊘  ● Do not place furniture under direct sunlight
- ⊘  ● Do not place furniture near heating or cooling vents
- ⊘  ● Do not write on furniture without a padded barrier to protect the surface
- ⊘  ● Do not place furniture outside. For indoor use only
- ⊘  ● Not for commercial use. For residential use only
- ⊘  ● Stains may be removed with mild soap solution and damp cloth
- ⊘  ● Children should not climb or jump on the furniture
- ✓  ● Dust and pick-up spills using a clean, non-colored, lint-free cloth

Caution

- This product contains small components. Please ensure that they are kept away from small children.





Safety and Care Advice

Important – Please read these instructions fully before starting assembly

- Check you have all the components and tools listed on the following pages.
- Remove all fittings from the plastic bags and separate them into their groups.
- Keep children and animals away from the work area, small parts could choke if swallowed.
- Make sure you have enough space to layout the parts before starting.

- During assembly do not stand or put weight on the product, this could cause damage.
- Assemble the item as close to its final position (in the same room) as possible.
- Assemble on a soft level surface to avoid damaging the unit or your floor.
- Parts of the assembly will be easier with 2 people.



power drill is set on a low torque setting.

- To reduce the likelihood of damaging your product please ensure that your

Care and maintenance

- Only clean using a damp cloth and mild detergent, do not use bleach or abrasive cleaners.
- From time to time check that there are no loose screws on this unit.
- This product should not be discarded with household waste. Take to your local authority waste disposal centre.

Handy Hints

- Assemble all parts and bolts loosely during assembly, only once the product is complete should you fully tighten the bolts
- Regularly check and ensure That all bolts and fittings are tightend properly.

WARNING
In order to help prevent overturning – please follow these instructions

To help prevent product toppling over please follow the below steps:-

- Use the anti tip stap or wall fixing method provided (if applicable)
- Do not allow children to climb or hang on the furniture
- Do not open more than one drawer at a time
- Do not place heavy items in the top drawers
- Do not place heavy items on top of the furniture, unless the furniture has been designed for this purpose

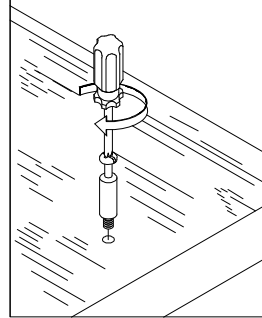
Using Camlocks

Step 1

Connect the male camlock as directed in the assembly instructions using a screwdriver.

1

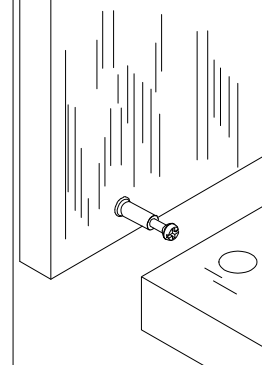
DO NOT OVER TIGHTEN.
NE PAS SERRER EXCESSIVEMENT.



Step 2

Push the male camlock into the entry hole.

2

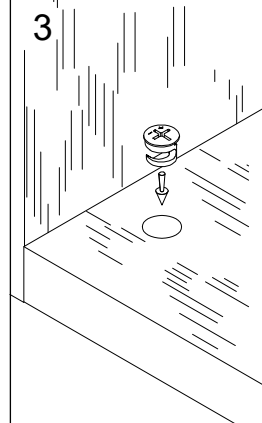


Step 3

Insert the female camlock as shown in the instruction.

Note: ensure that the arrow on the top of the camlock points towards the entry hole for the male camlock.

3



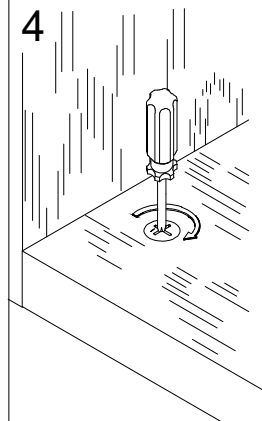
Step 4

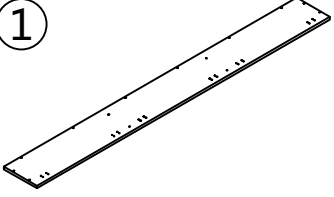
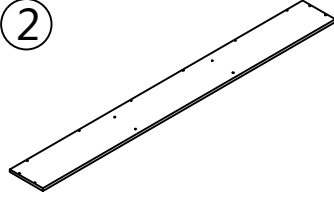
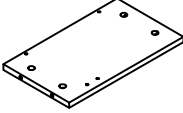
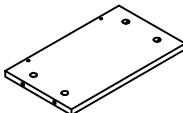
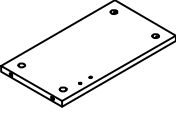
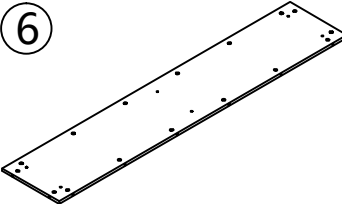
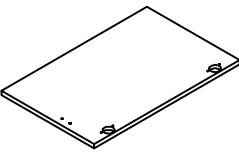
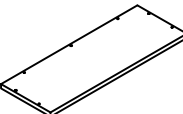
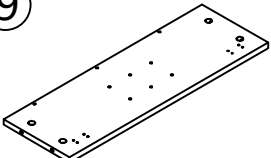
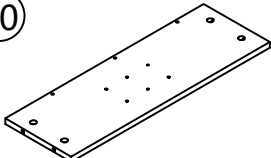
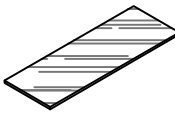
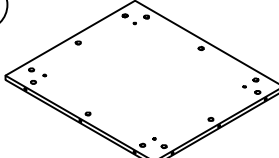
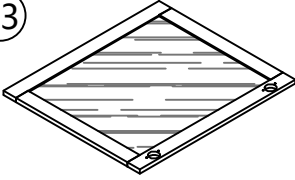
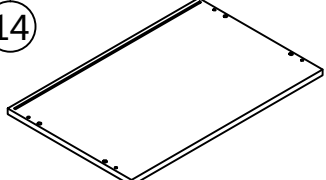
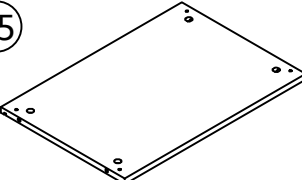
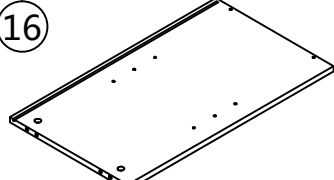
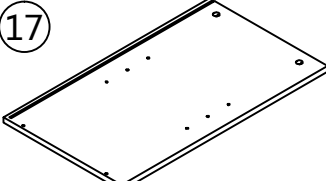
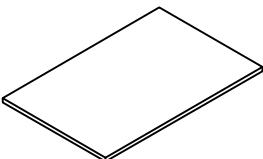
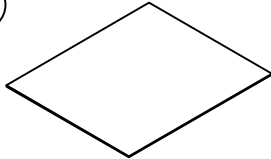
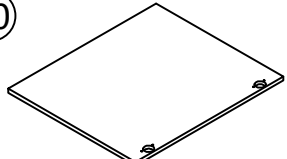

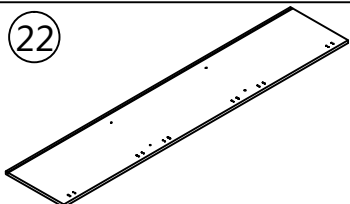
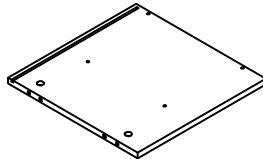
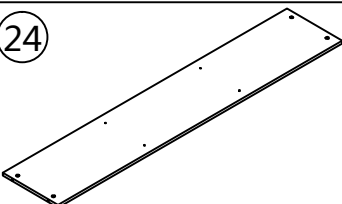
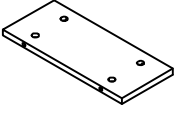
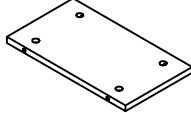
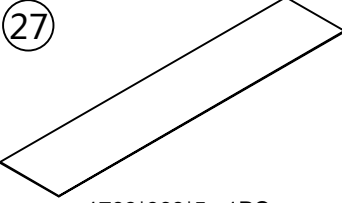
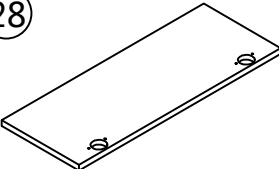
Turn the female camlock clockwise with a screwdriver.

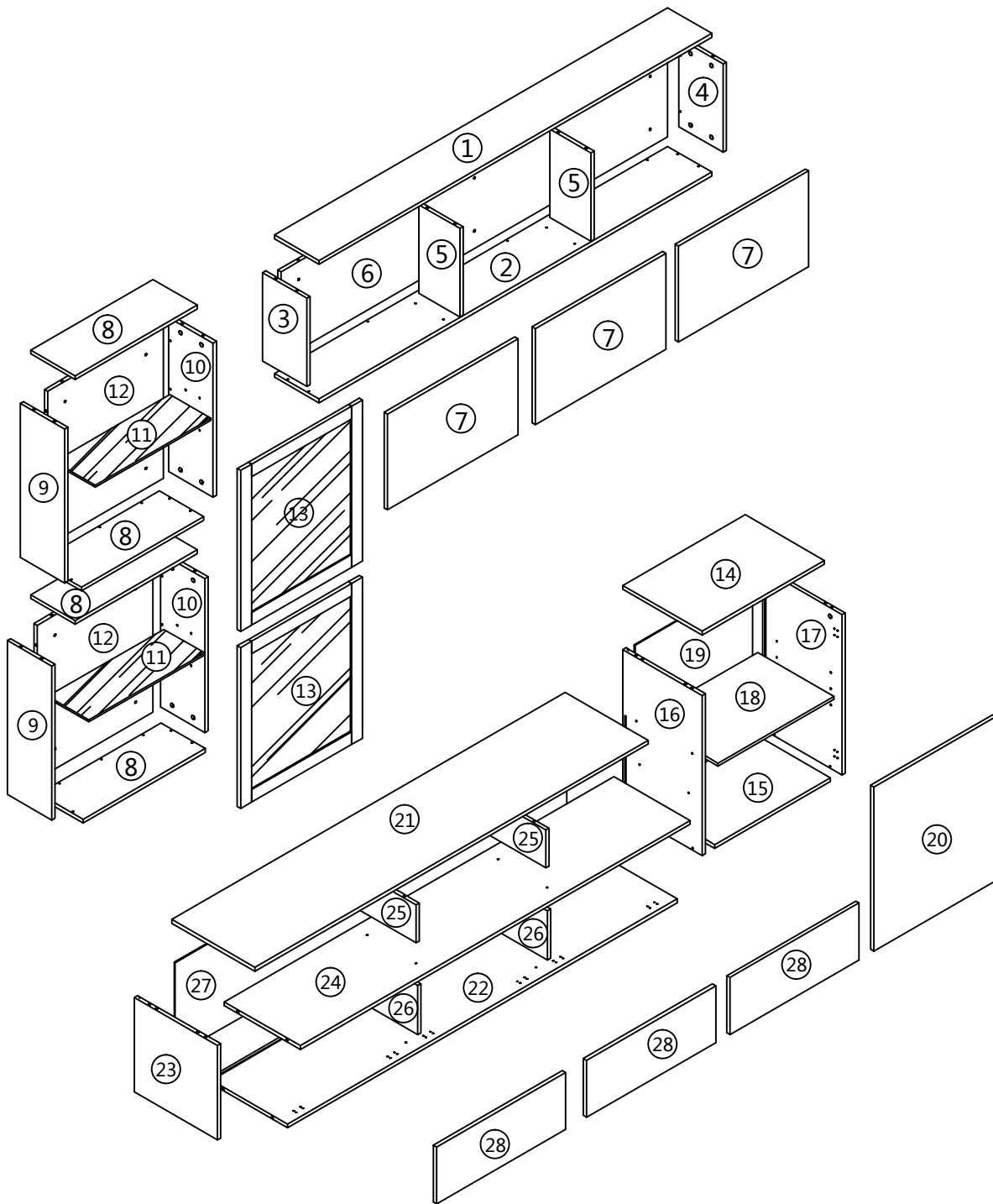
You should feel a click when the camlock is locked in place.

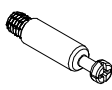
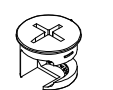

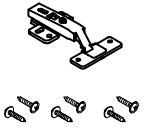



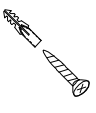


The joint is now secure.

4

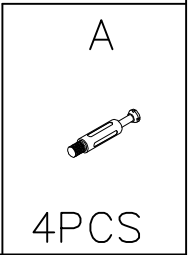
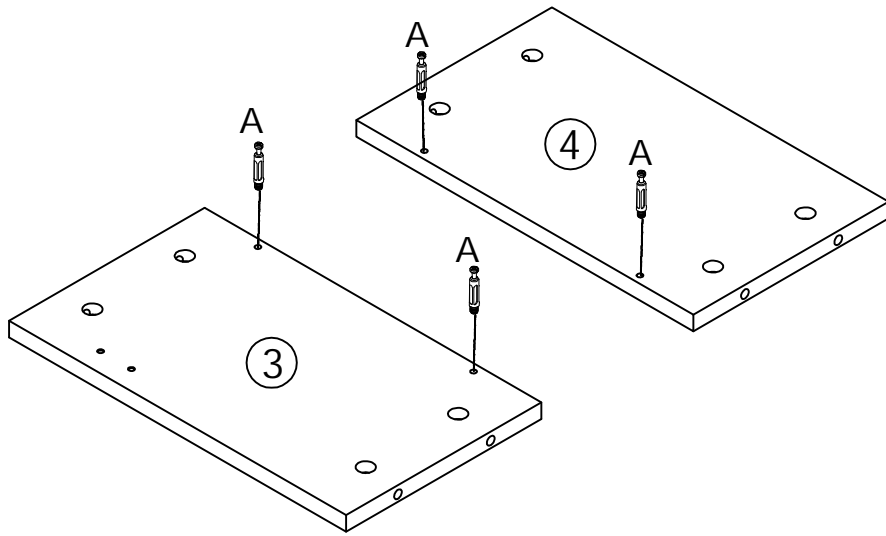


| | | | |
|---------------------------------------------------------------------------------------------------------------------|---------------------------------------------------------------------------------------------------------------------|---------------------------------------------------------------------------------------------------------------------|-----------------------------------------------------------------------------------------------------------------------|
| <p>①</p>  <p>1800*203*15 1PC</p> | <p>②</p>  <p>1800*203*15 1PC</p> | <p>③</p>  <p>350*203*15 1PC</p> | <p>④</p>  <p>350*203*15 1PC</p> |
| <p>⑤</p>  <p>350*188*15 2PCS</p> | <p>⑥</p>  <p>1770*350*15 1PC</p> | <p>⑦</p>  <p>596*380*15 3PCS</p> | <p>⑧</p>  <p>560*203*15 4PCS</p> |
| <p>⑨</p>  <p>610*203*15 2PCS</p> | <p>⑩</p>  <p>610*203*15 2PCS</p> | <p>⑪</p>  <p>530*188*8 2PCS</p> | <p>⑫</p>  <p>610*530*15 2PCS</p> |
| <p>⑬</p>  <p>638*558*15 2PCS</p> | <p>⑭</p>  <p>560*363*15 1PC</p> | <p>⑮</p>  <p>530*363*15 1PC</p> | <p>⑯</p>  <p>635*363*15 1PC</p> |
| <p>⑰</p>  <p>635*363*15 1PC</p> | <p>⑱</p>  <p>530*348*12 1PC</p> | <p>⑲</p>  <p>628*538*5 1PC</p> | <p>⑳</p>  <p>650*558*15 1PC</p> |
| <p>㉑</p>  <p>1800*380*15 1PC</p> | <p>㉒</p>  <p>1785*363*15 1PC</p> | <p>㉓</p>  <p>380*375*15 1PC</p> | <p>㉔</p>  <p>1785*348*15 1PC</p> |
| <p>㉕</p>  <p>348*150*15 2PCS</p> | <p>㉖</p>  <p>348*195*15 2PCS</p> | <p>㉗</p>  <p>1793*368*5 1PC</p> | <p>㉘</p>  <p>591*225*15 3PCS</p> |

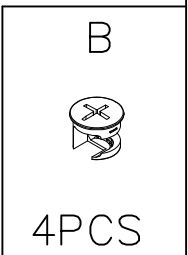
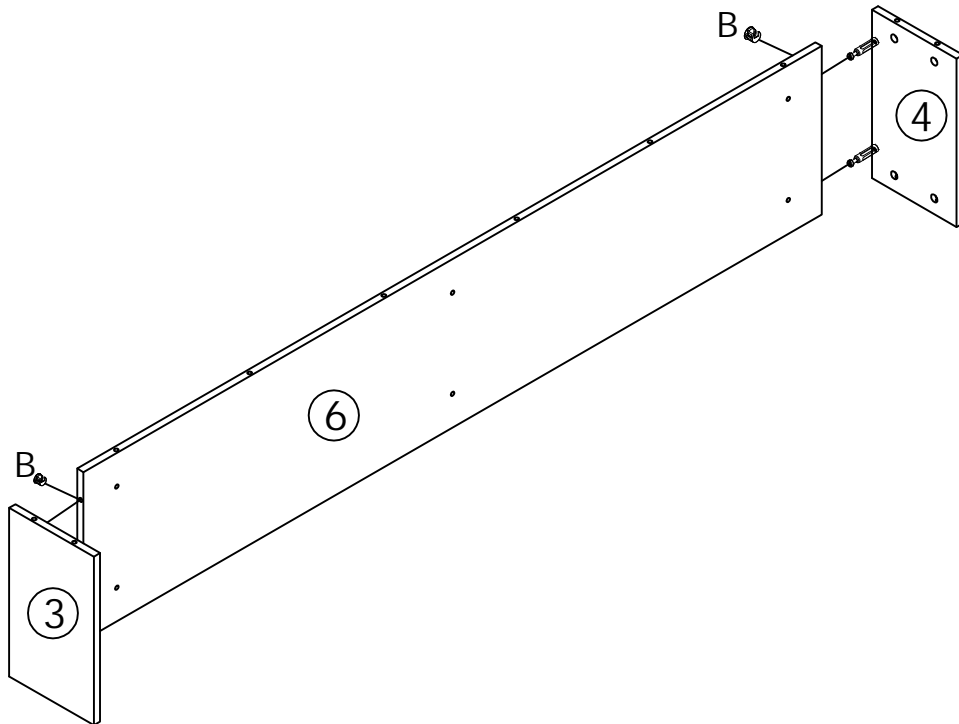


| A | B | C | D | E | F | G | H | I | J |
|------------------------------------------------------------------------------------|-------------------------------------------------------------------------------------|-------------------------------------------------------------------------------------|-------------------------------------------------------------------------------------|-------------------------------------------------------------------------------------|-------------------------------------------------------------------------------------|-------------------------------------------------------------------------------------|--------------------------------------------------------------------------------------|---------------------------------------------------------------------------------------|---------------------------------------------------------------------------------------|
|  |  |  |  |  |  |  |  |  |  |
| 108PCS | 108PCS | Ø8*30mm 6PCS | 18PCS | 4PCS | 8PCS | 8PCS | 14PCS | 3PCS | 18PCS |

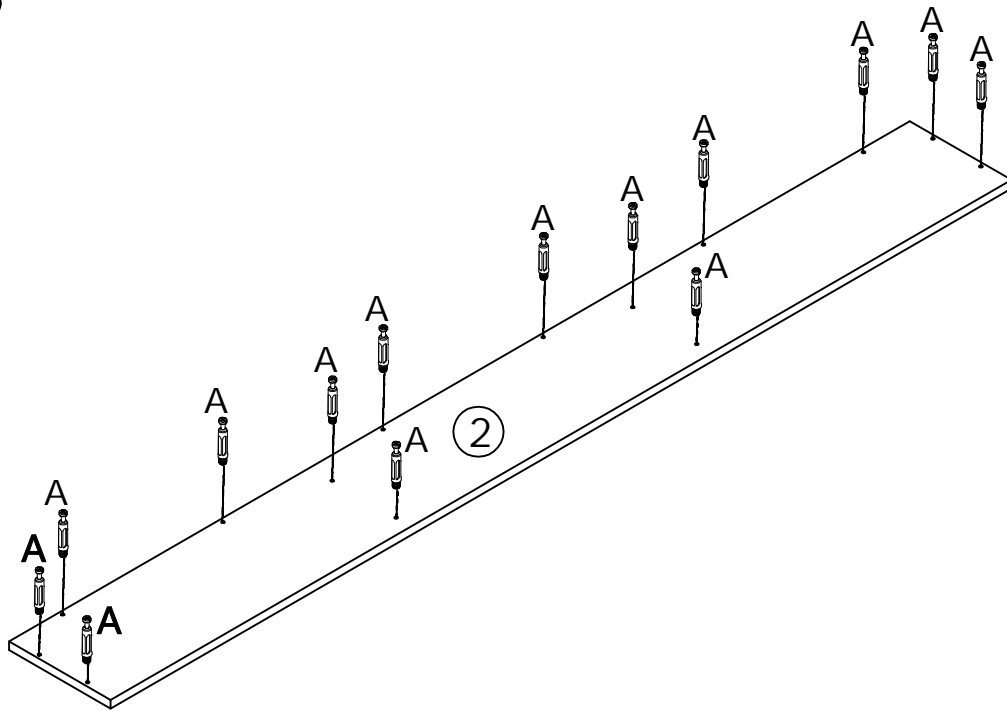
STEP 1



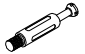
STEP 2



STEP 3

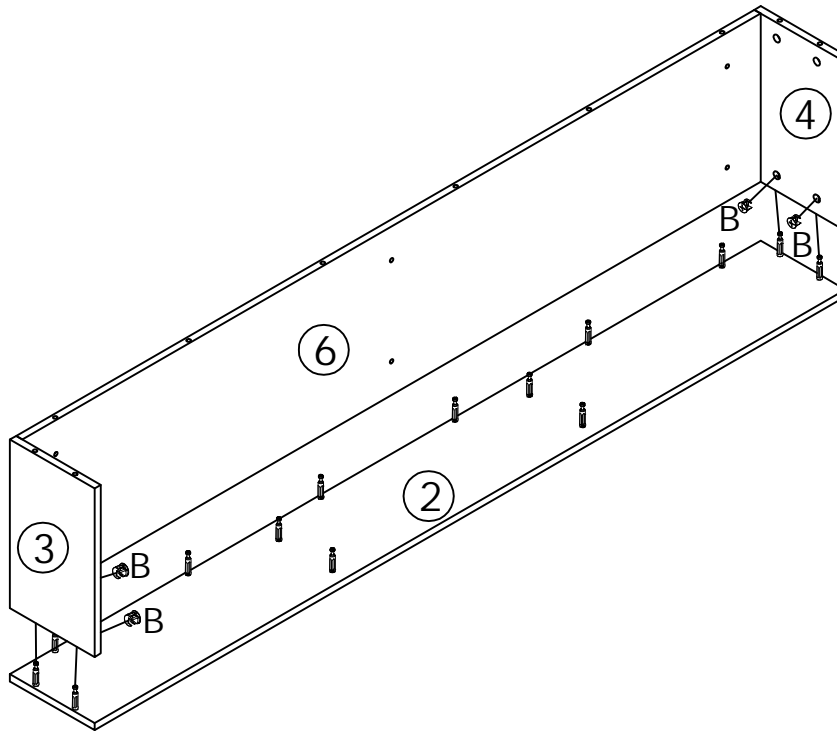


A




14PCS

STEP 4

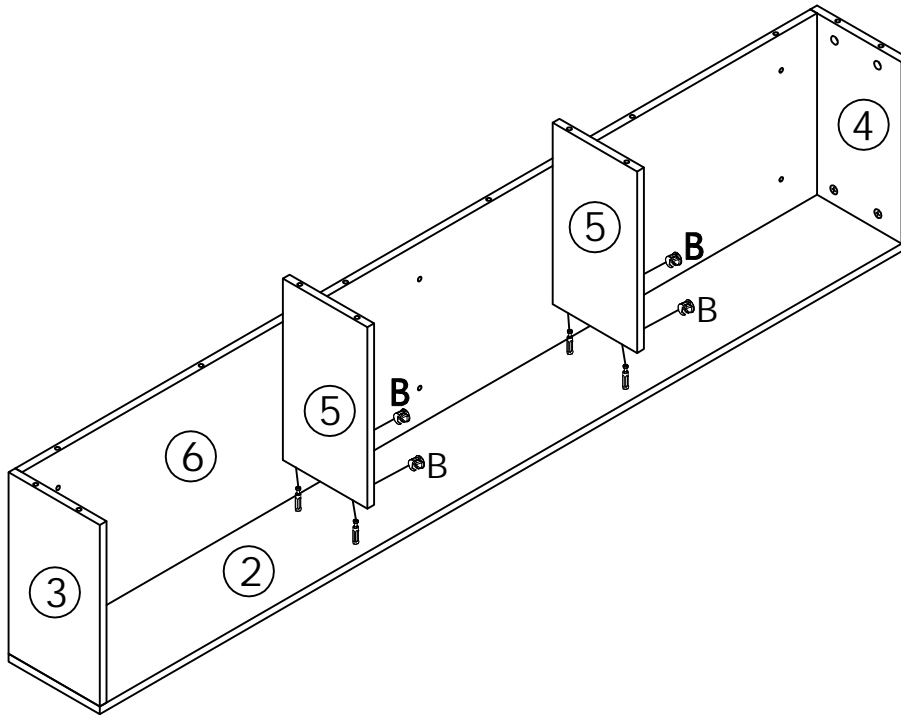


B




4PCS

STEP 5

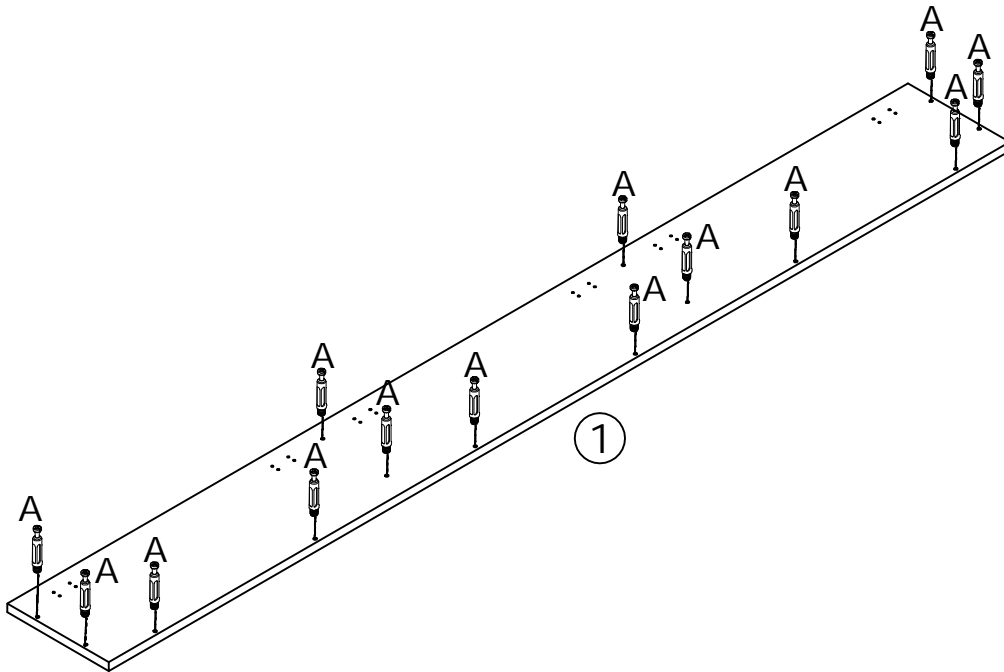


B




4PCS

STEP 6

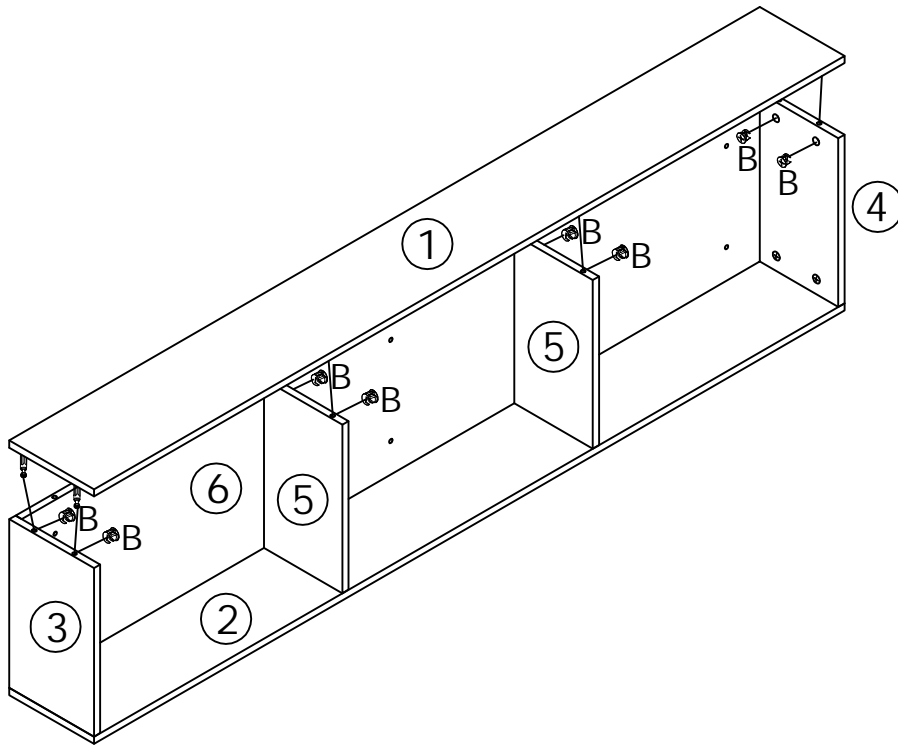


A




14PCS

STEP 7

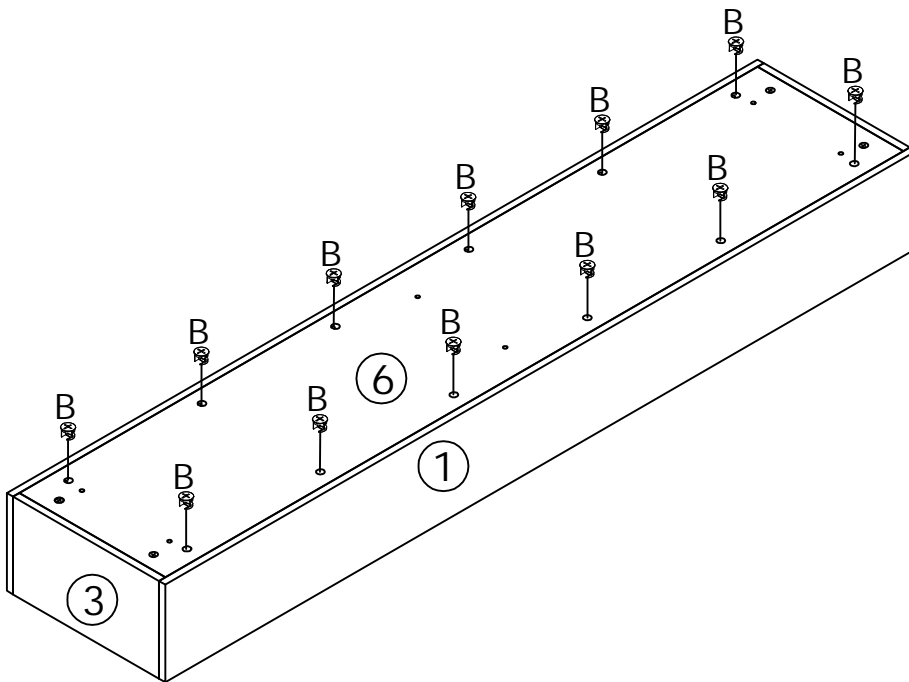


B




8PCS

STEP 8



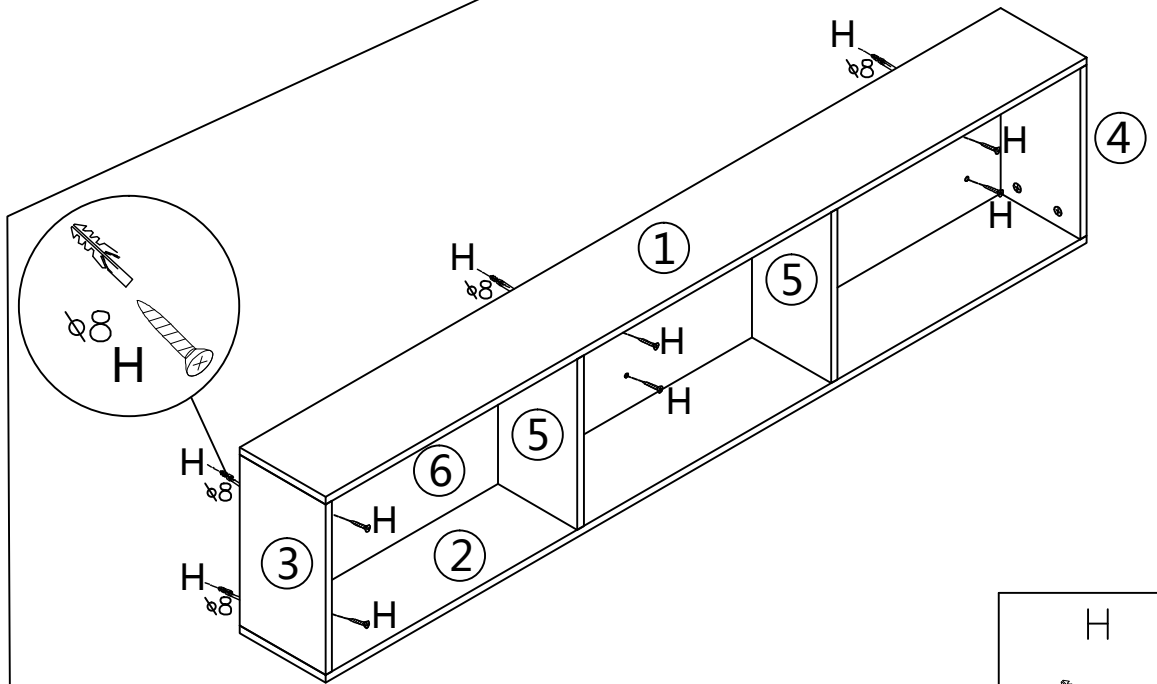
B



12PCS

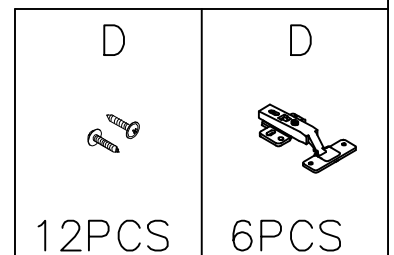
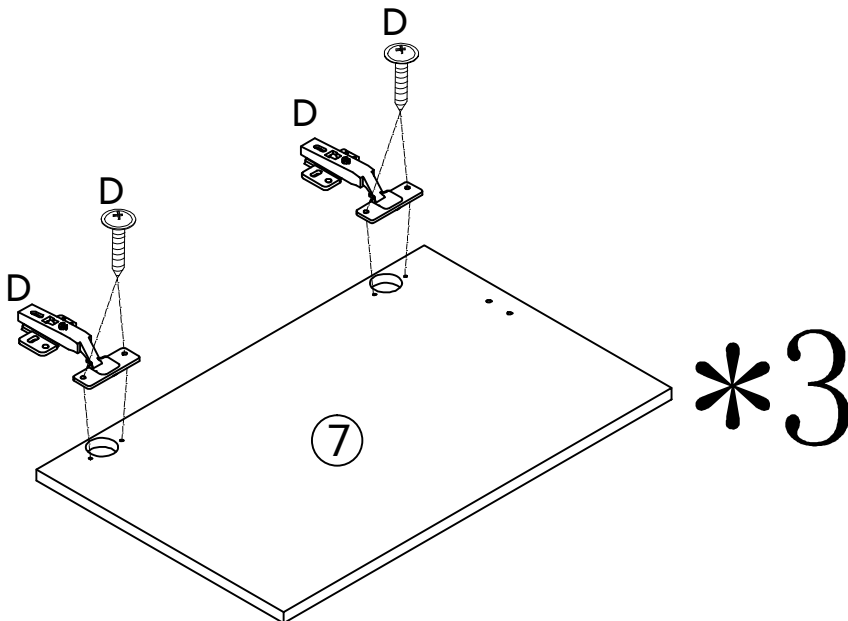
STEP 9

1. First, measure the position to be drilled and mark the position with a pencil
2. Select an 8mm drill bit and use the electric hand drill to drill a vertical hole on the wall
3. Clean up the dust in the hole before using a hammer to completely smash the plastic expansion tube into the hole
4. Insert the screw through the mounting hole on the object to be fixed, insert it into the expansion tube using a screwdriver, and tighten it



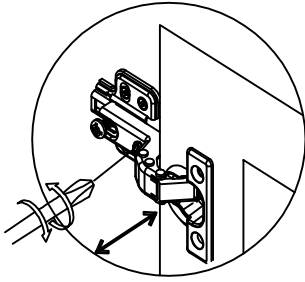
6PCS

STEP 10

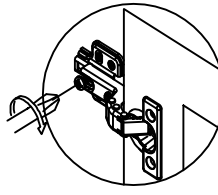
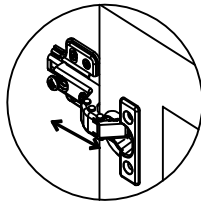
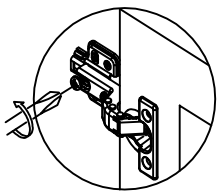


STEP 11

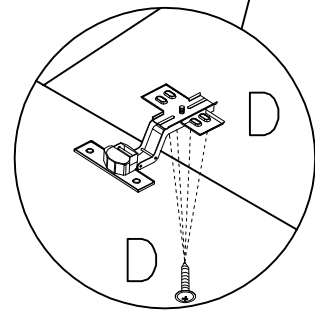
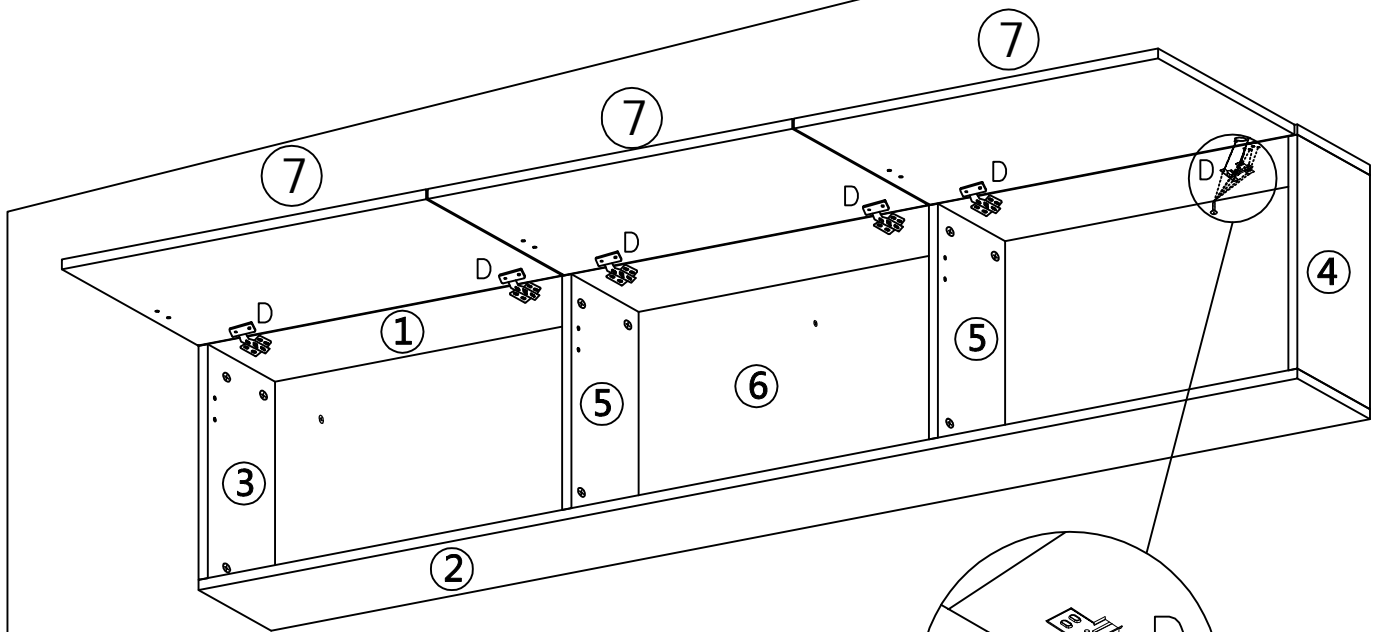
If the door can't close, please adjust the hinges.




This is used to adjust the door panel in the up and down direction.

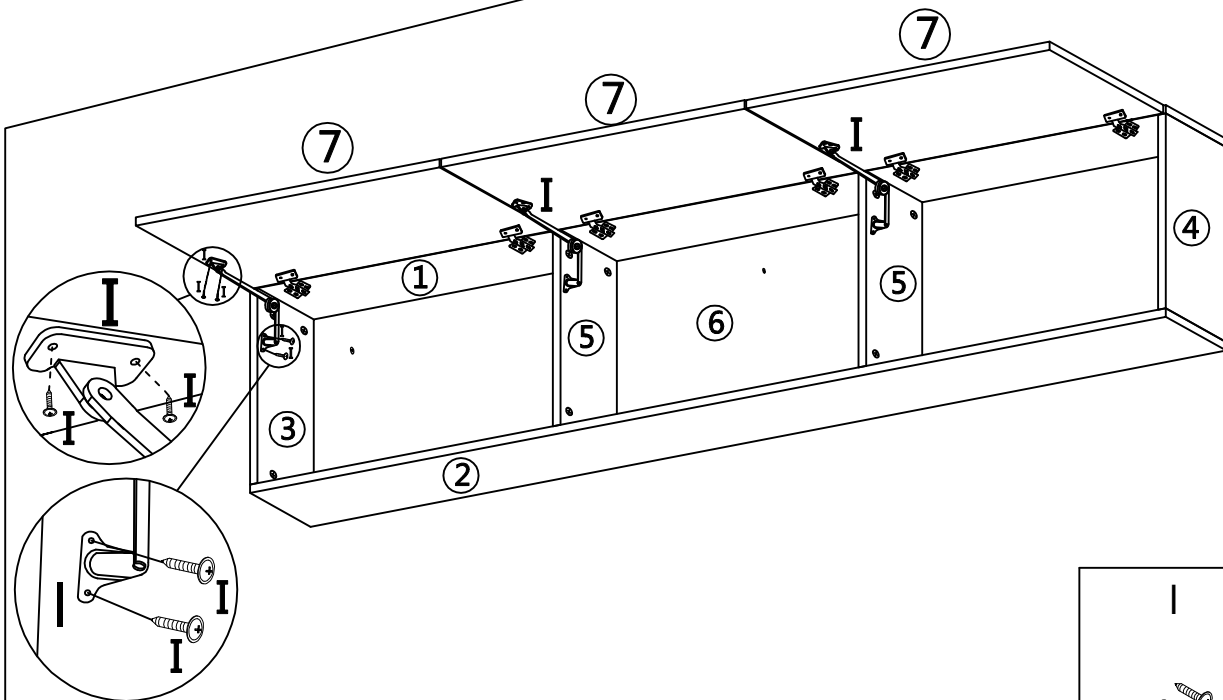




This is used to adjust the door panel in the front and back direction: Loosen the screw first, and then tighten screw after adjusting the door panel to the proper position.



D

24PCS

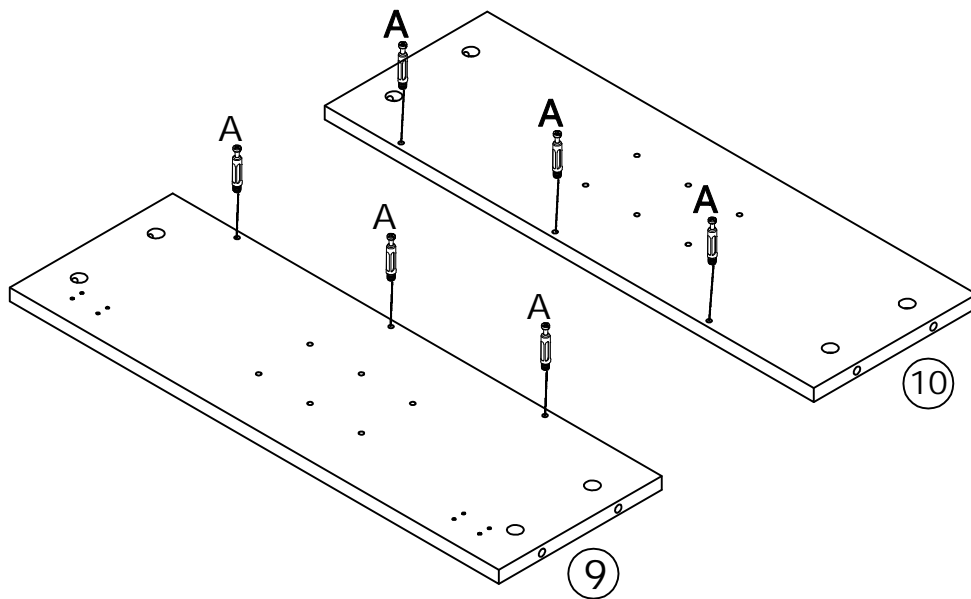
STEP 12




| | |
|--------------------------------------------------------------------------------------|--------------------------------------------------------------------------------------|
|  |  |
| 12PCS | 3PCS |

STEP 13

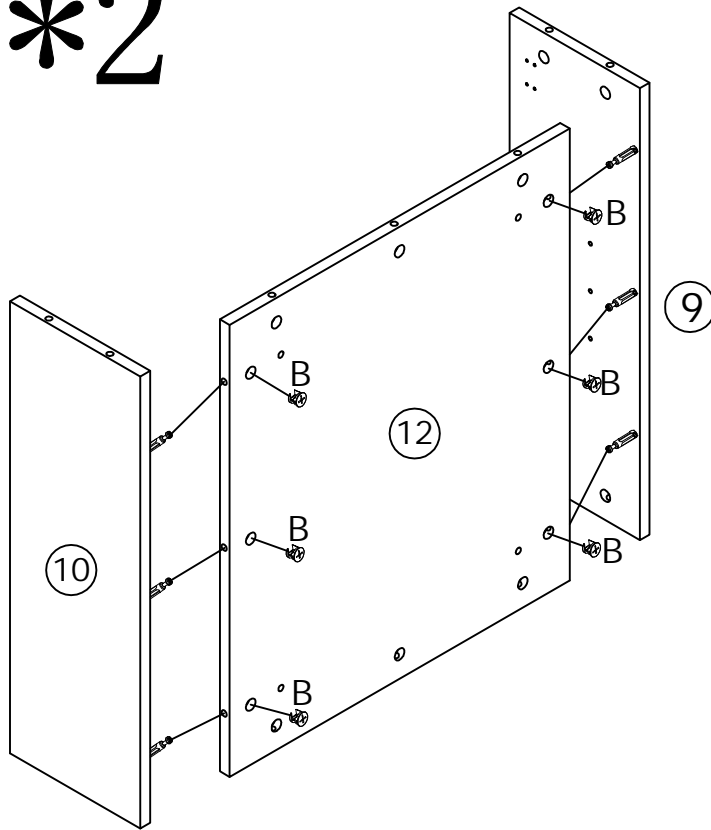
*2




| |
|---------------------------------------------------------------------------------------|
| A |
|  |
| 12PCS |

STEP 14

*2



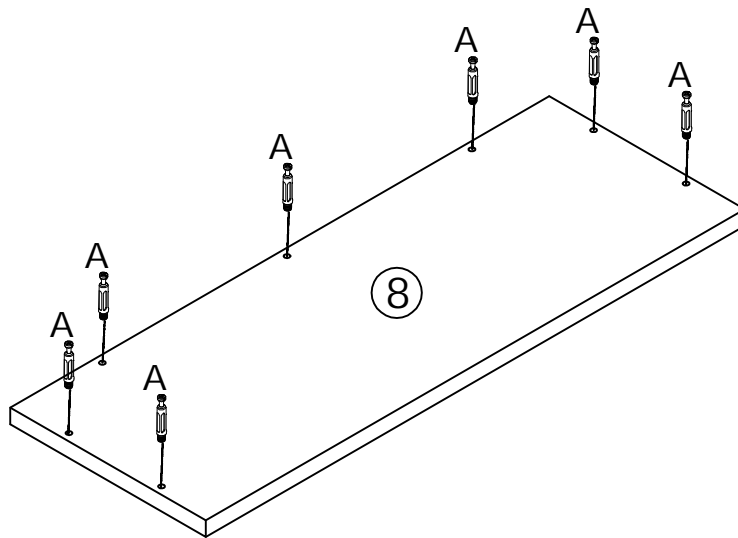
B




12PCS

STEP 15

*4



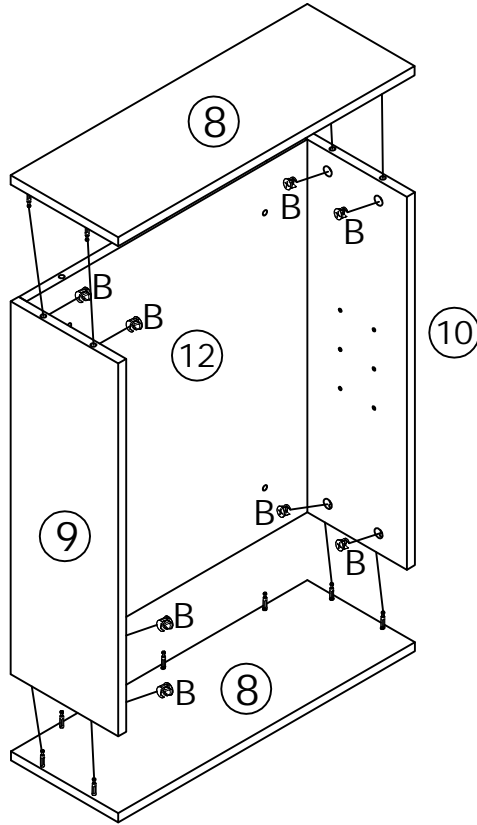
A



28PCS

STEP 16

*2



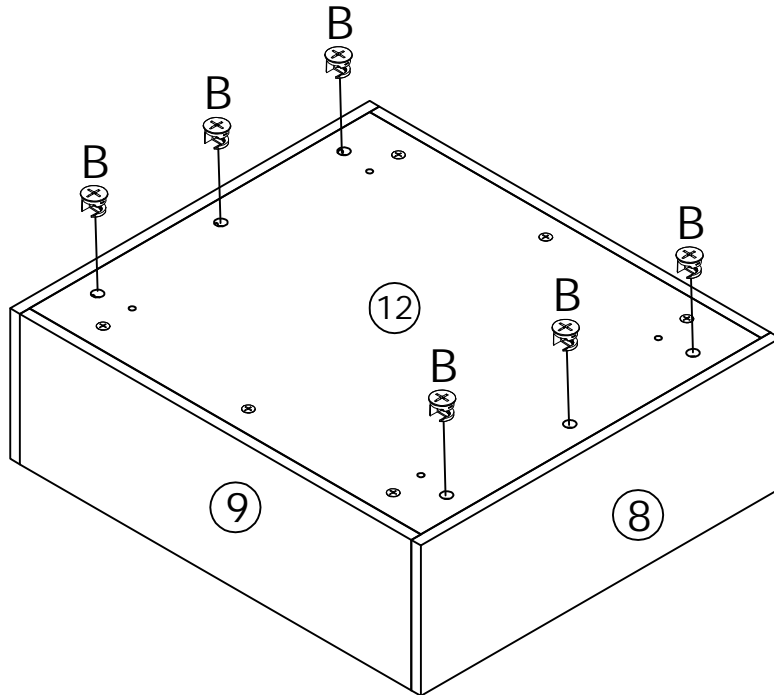
B



16PCS

STEP 17

*2



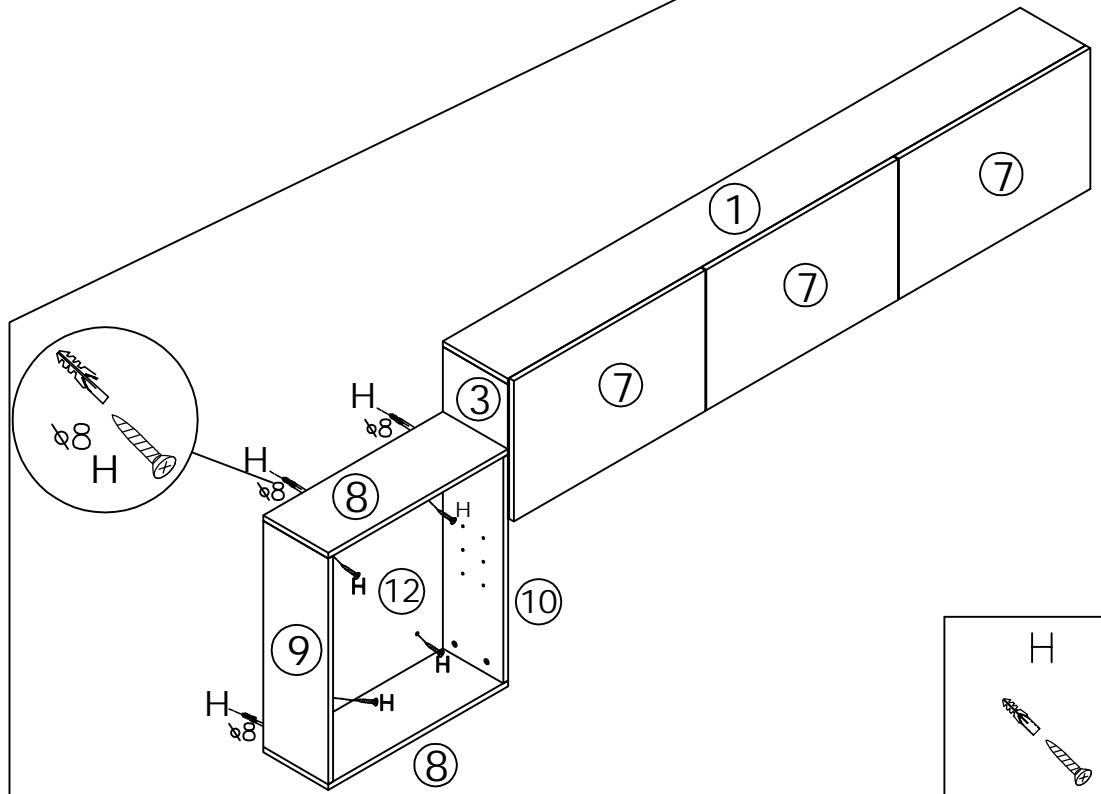
B



12PCS

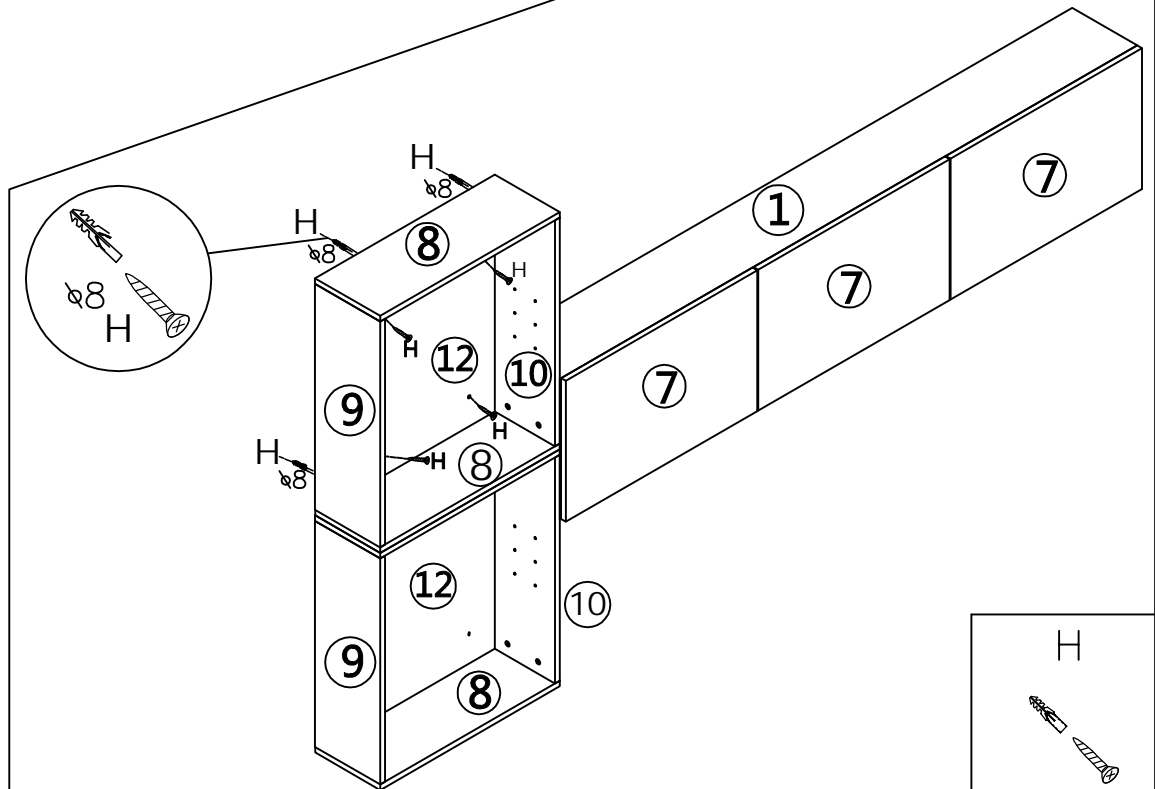
STEP 18

1. First, measure the position to be drilled and mark the position with a pencil
2. Select an 8mm drill bit and use the electric hand drill to drill a vertical hole on the wall
3. Clean up the dust in the hole before using a hammer to completely smash the plastic expansion tube into the hole
4. Insert the screw through the mounting hole on the object to be fixed, insert it into the expansion tube using a screwdriver, and tighten it

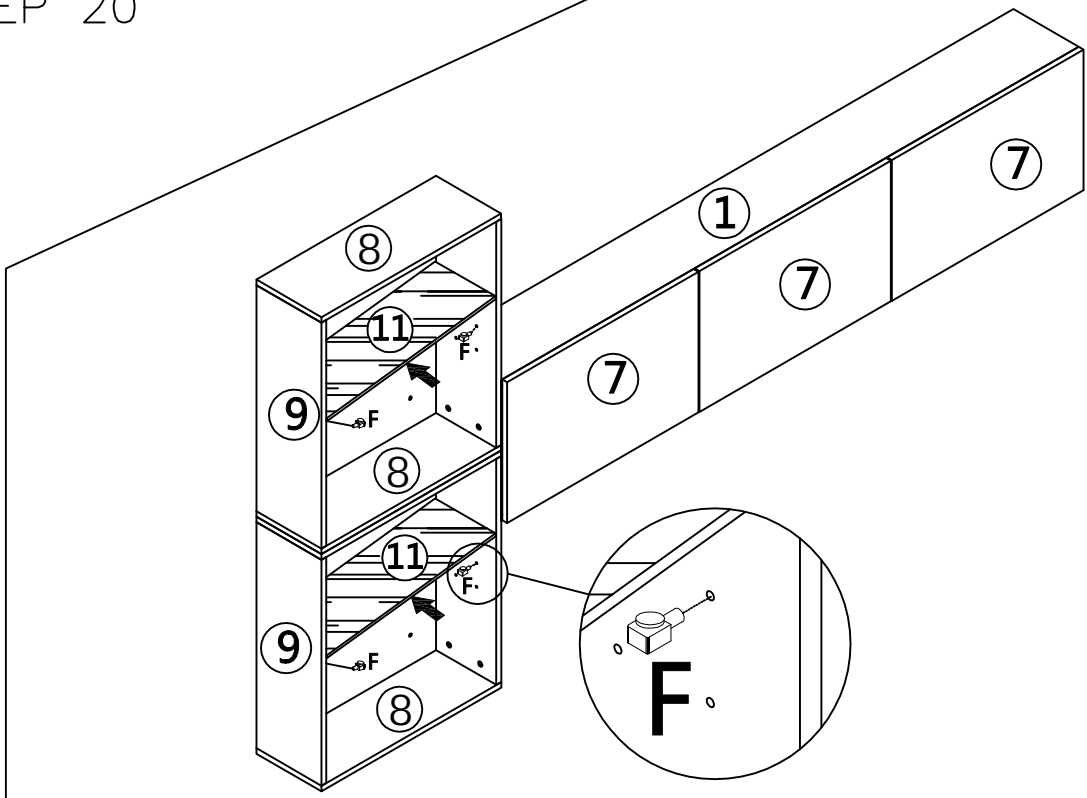


STEP 19

1. First, measure the position to be drilled and mark the position with a pencil
2. Select an 8mm drill bit and use the electric hand drill to drill a vertical hole on the wall
3. Clean up the dust in the hole before using a hammer to completely smash the plastic expansion tube into the hole
4. Insert the screw through the mounting hole on the object to be fixed, insert it into the expansion tube using a screwdriver, and tighten it

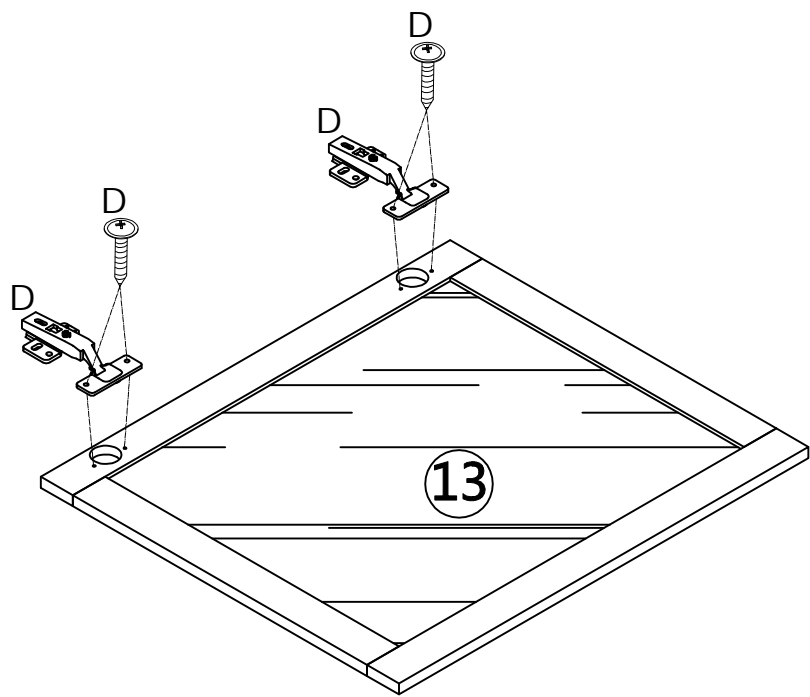


STEP 20



- | |
|------|
| F |
| |
| 8PCS |

STEP 21

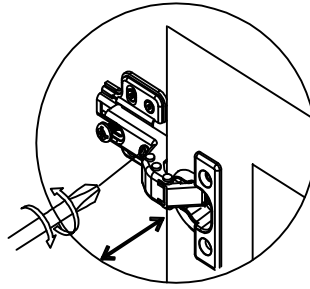


*2

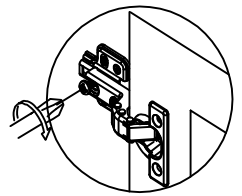
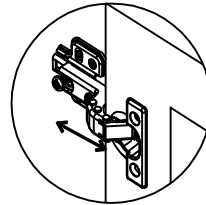
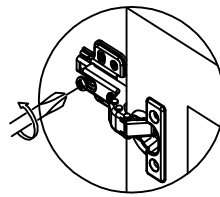
- | | |
|------|------|
| D | D |
| | |
| 8PCS | 4PCS |

STEP 22

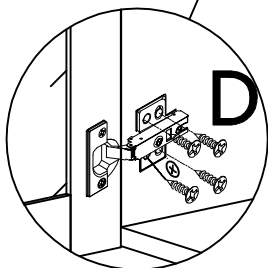
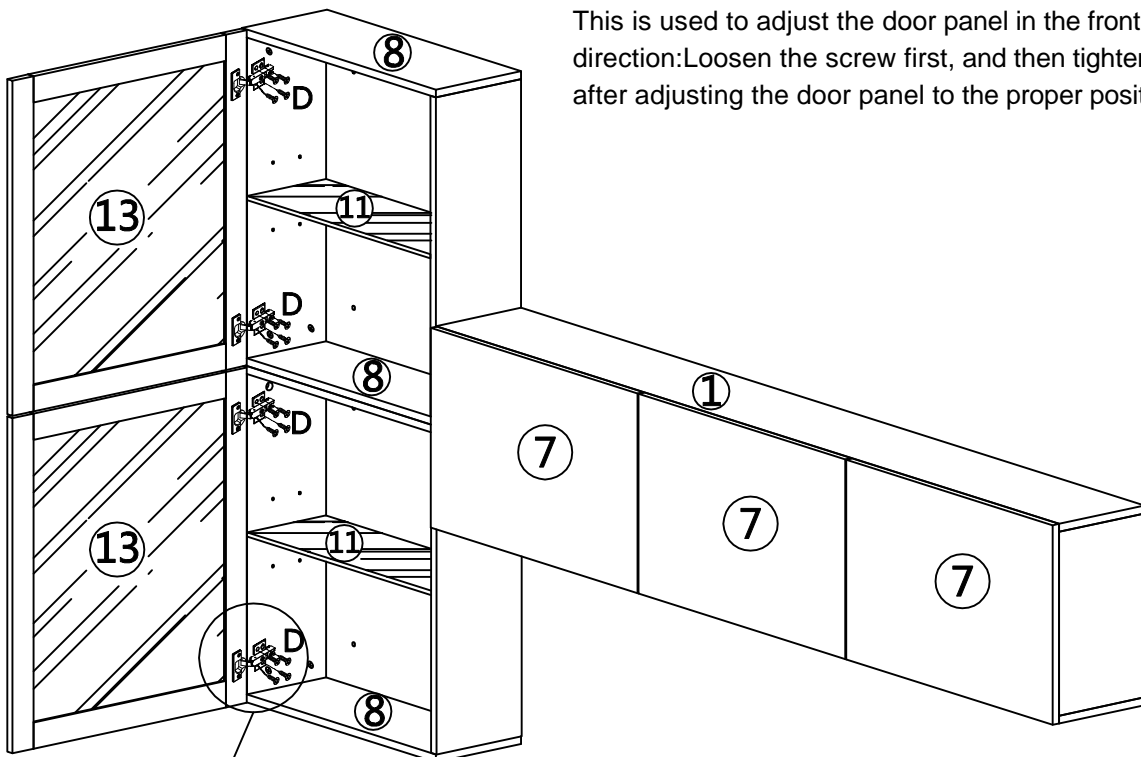
If the door can't close, please adjust the hinges.




This is used to adjust the door panel in the up and down direction.

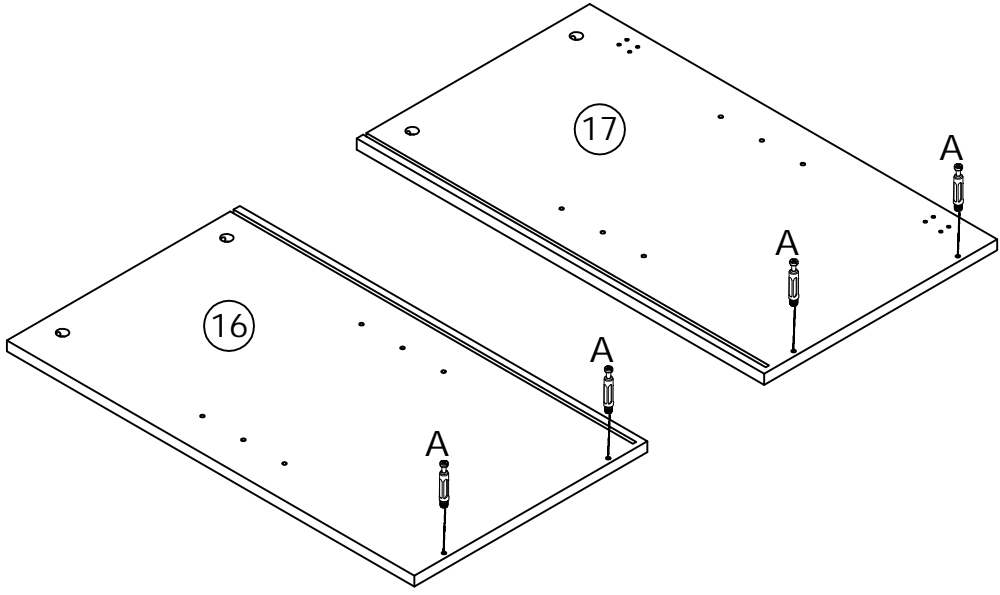


This is used to adjust the door panel in the front and back direction: Loosen the screw first, and then tighten screw after adjusting the door panel to the proper position.




| |
|---------------------------------------------------------------------------------------|
| D |
|  |
| 16PCS |

STEP 23

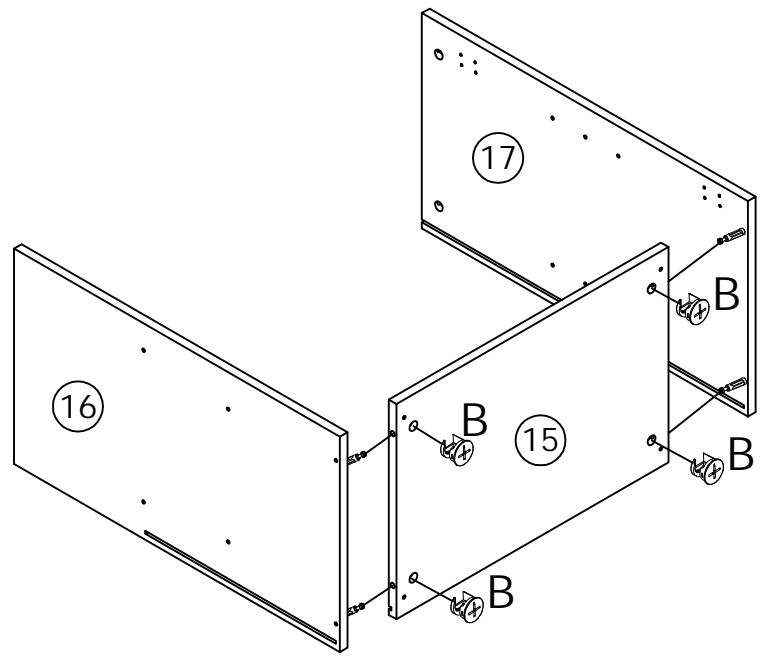


A




4PCS

STEP 24

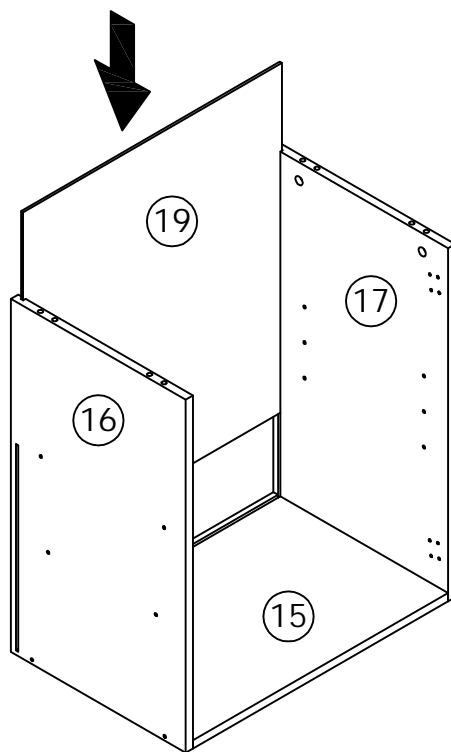


B

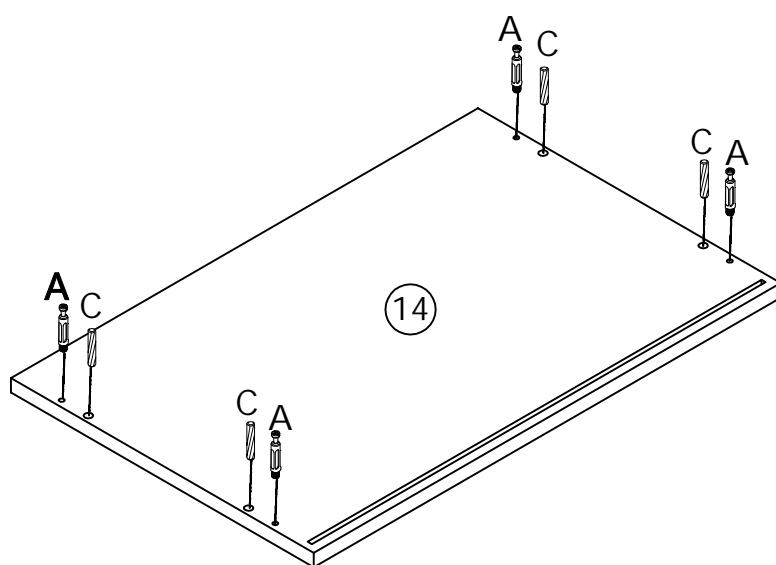




4PCS

STEP 25

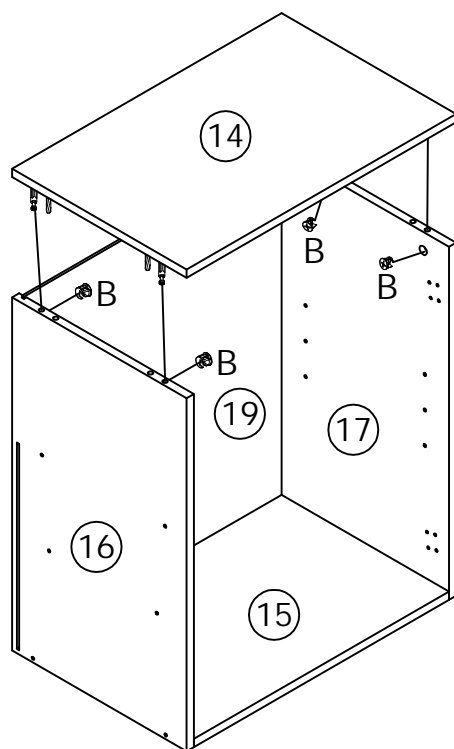


STEP 26



| | |
|---------------------------------------------------------------------------------------|---------------------------------------------------------------------------------------|
| C | A |
|  |  |
| 4PCS | 4PCS |

STEP 27

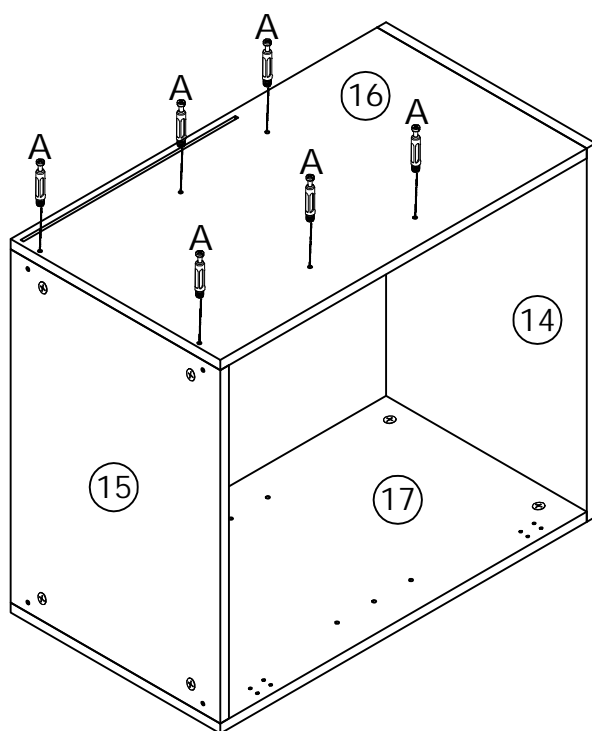


B



4PCS

STEP 28

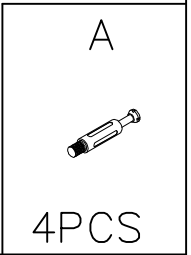
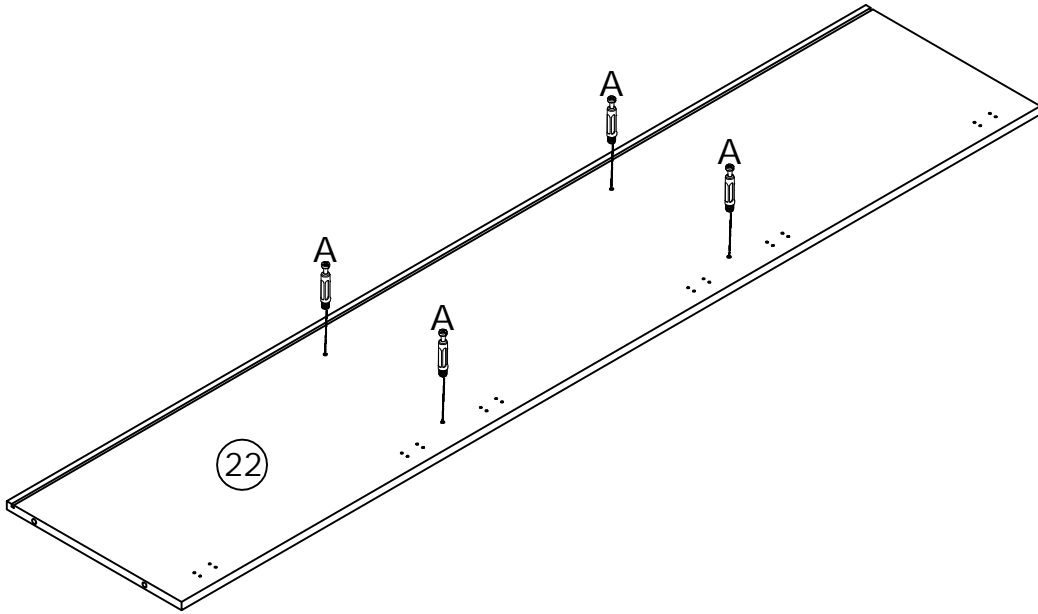


A

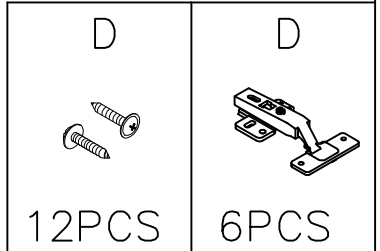
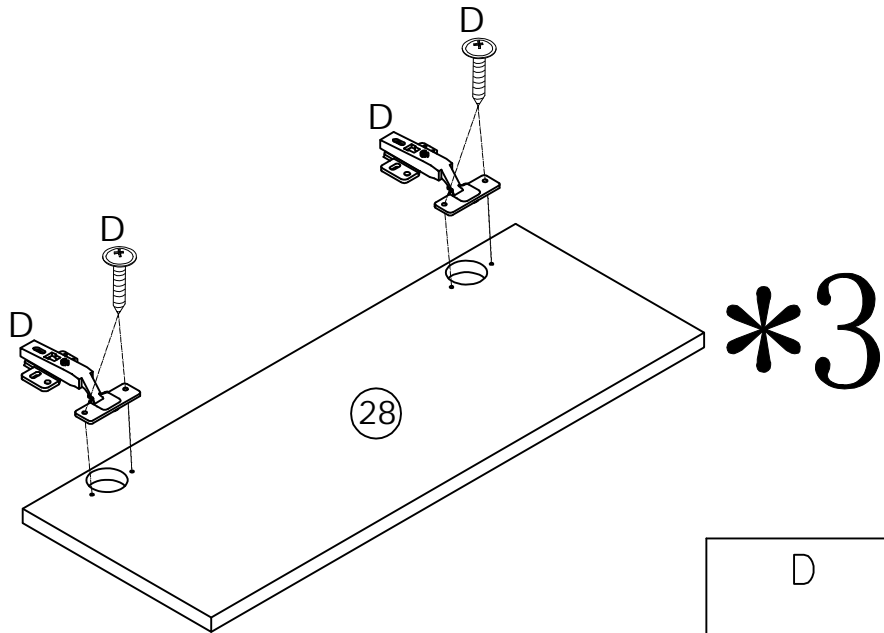


6PCS

STEP 29

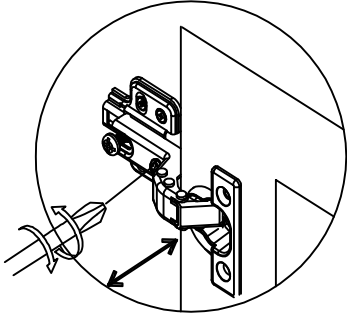


STEP 30

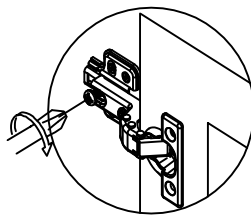
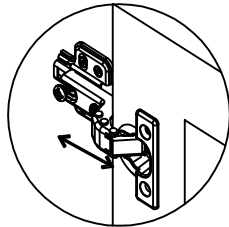
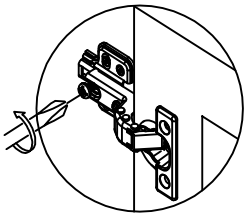


STEP 31

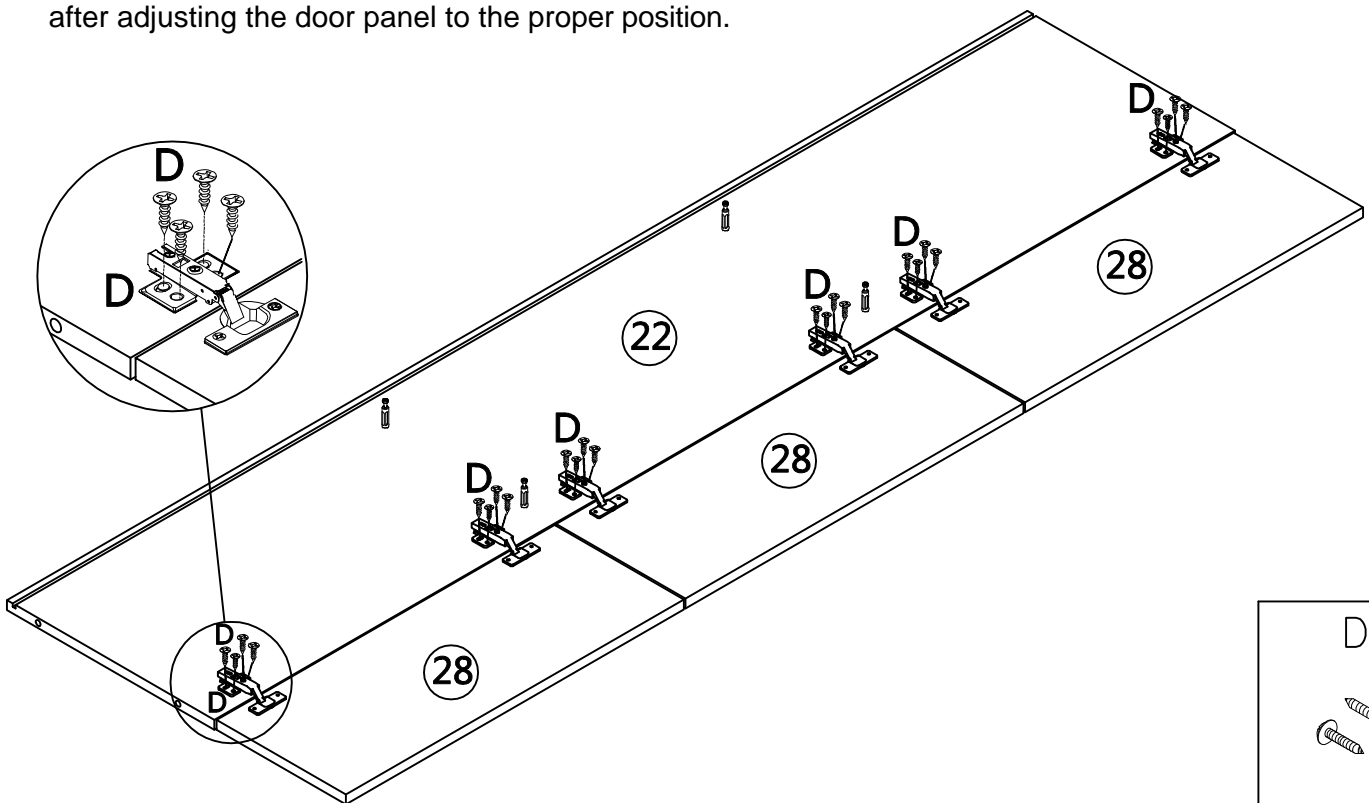
If the door can't close, please adjust the hinges.




This is used to adjust the door panel in the up and down direction.

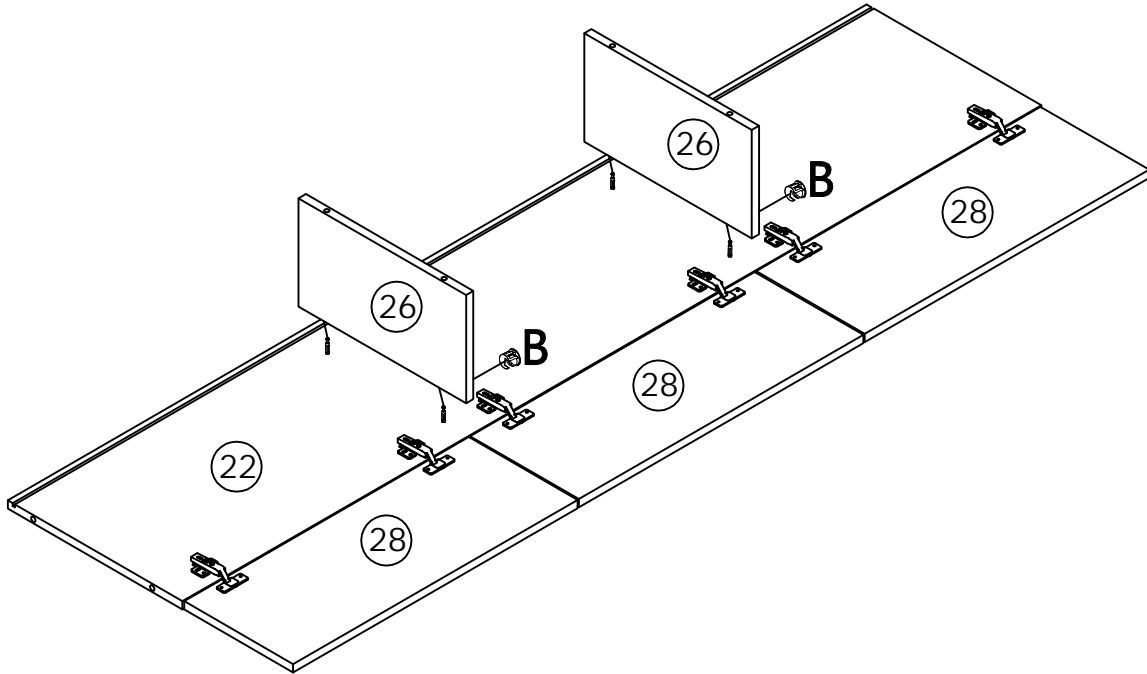


This is used to adjust the door panel in the front and back direction: Loosen the screw first, and then tighten screw after adjusting the door panel to the proper position.




- D
- 
- 24PCS

STEP 32

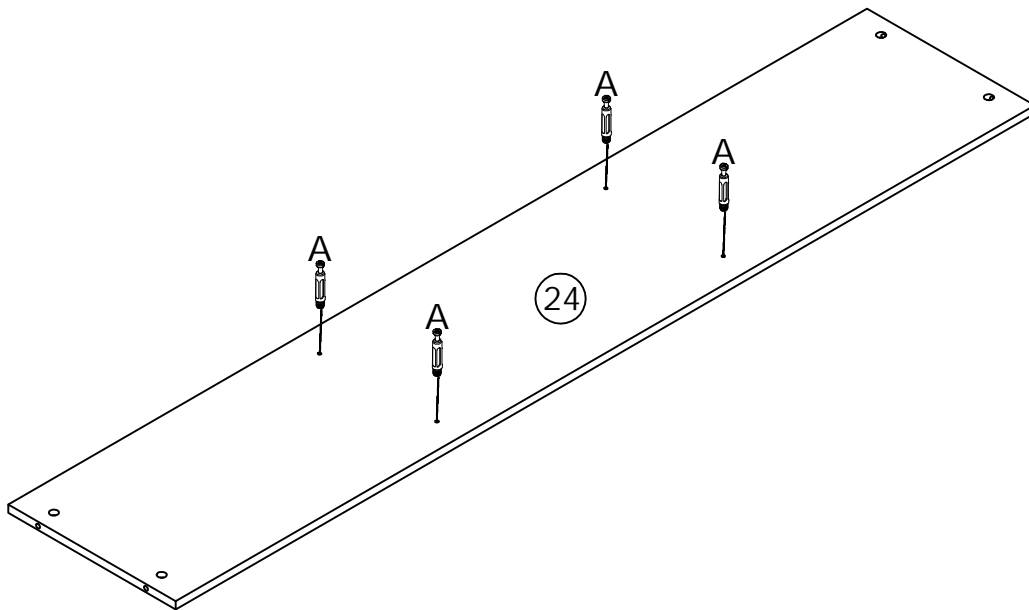


B




4PCS

STEP 33

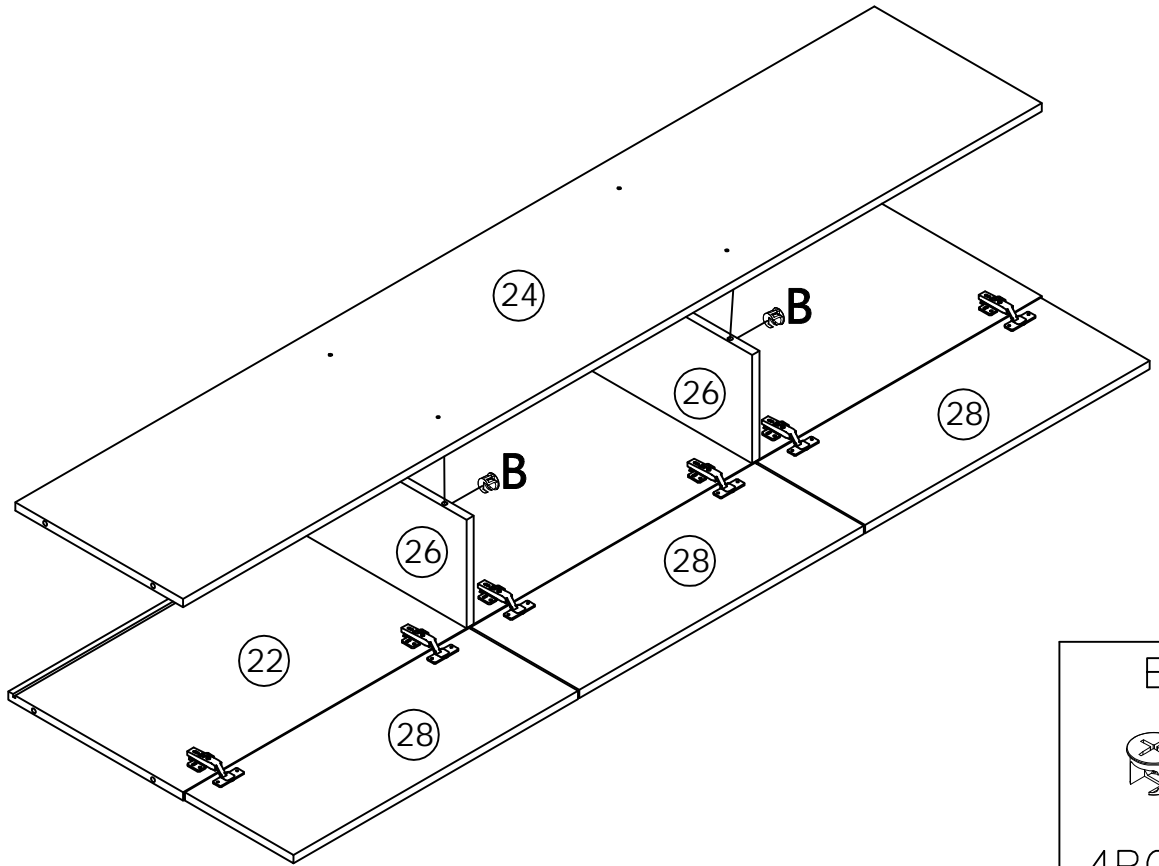


A

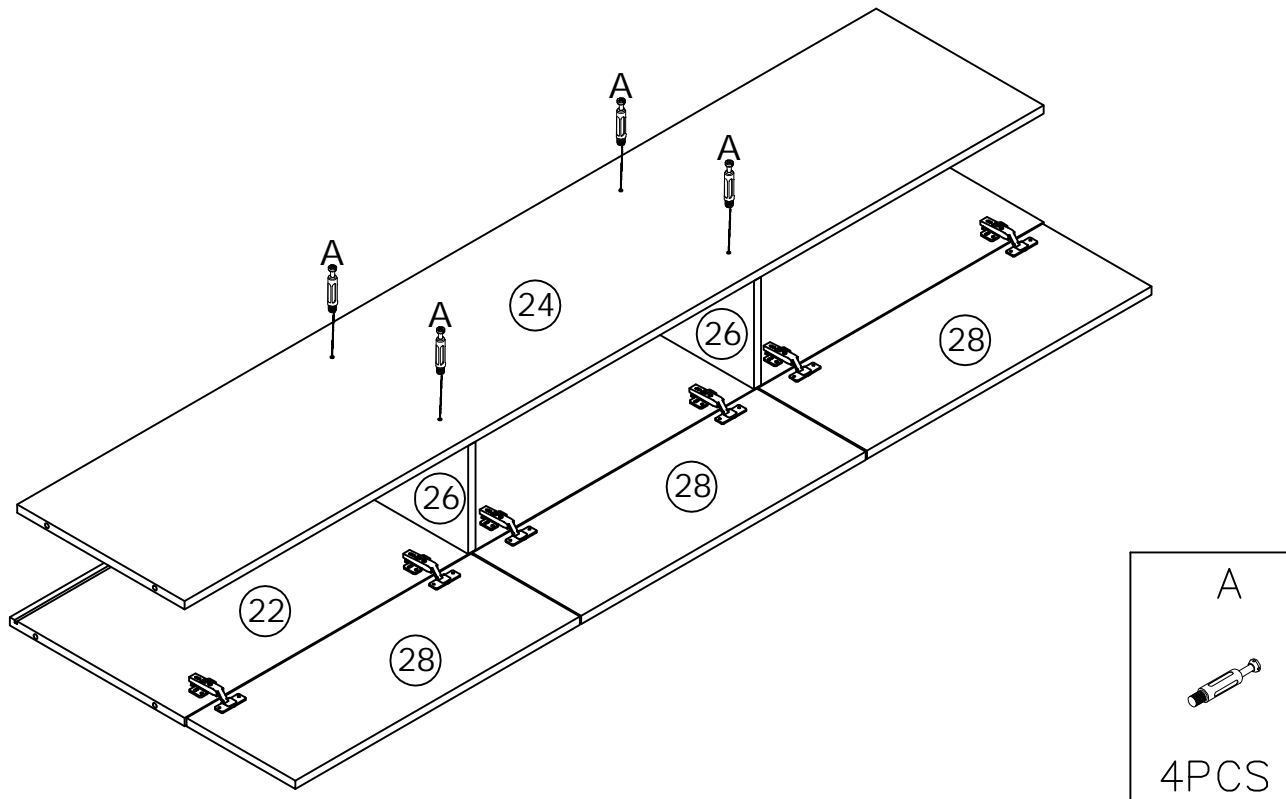


4PCS

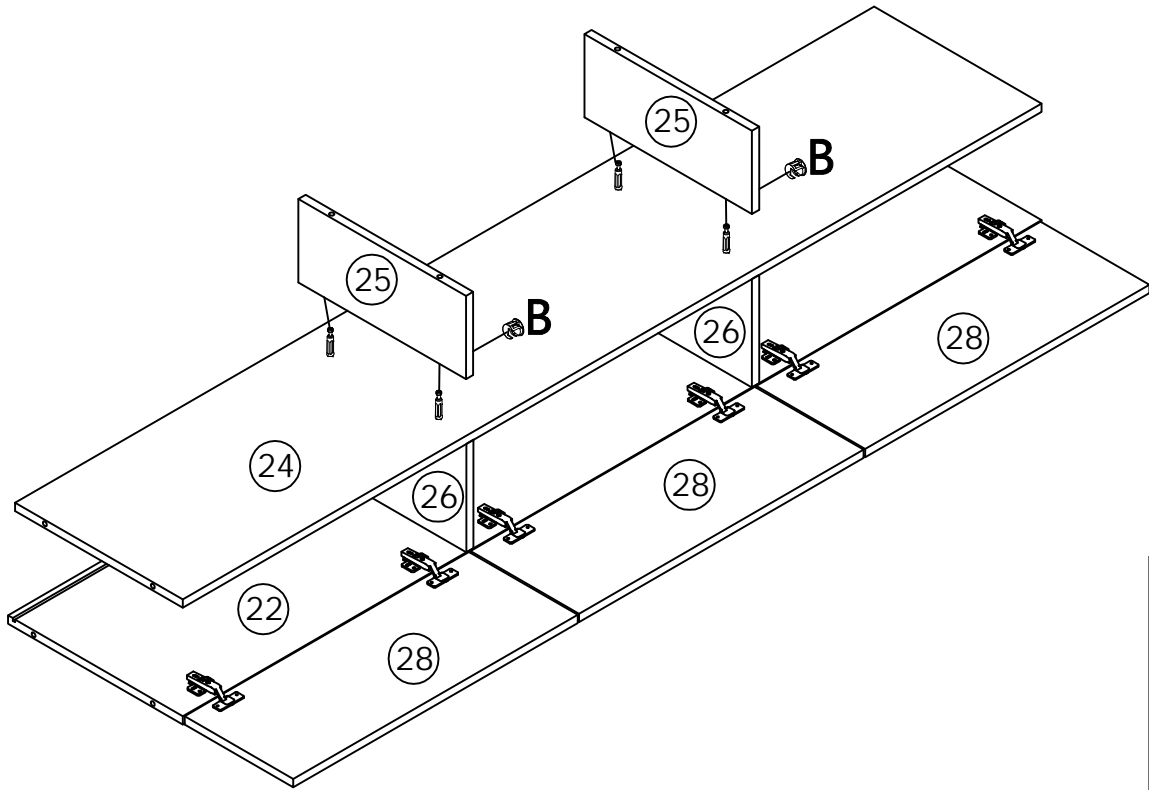
STEP 34




STEP 35



STEP 36

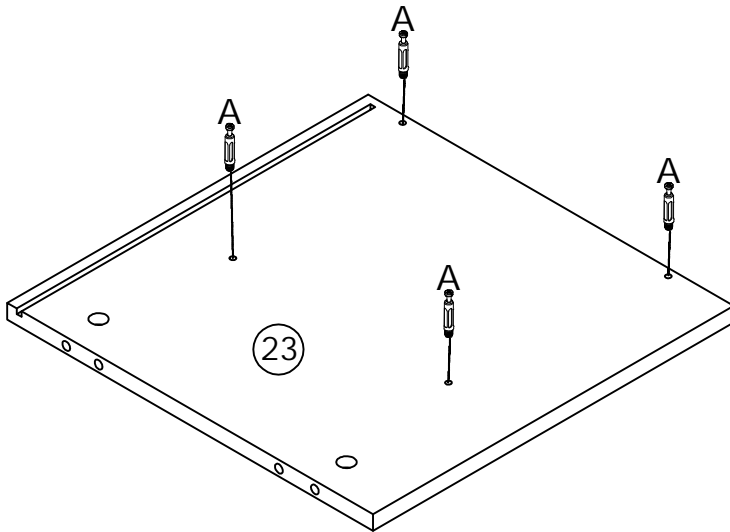


B




4PCS

STEP 37

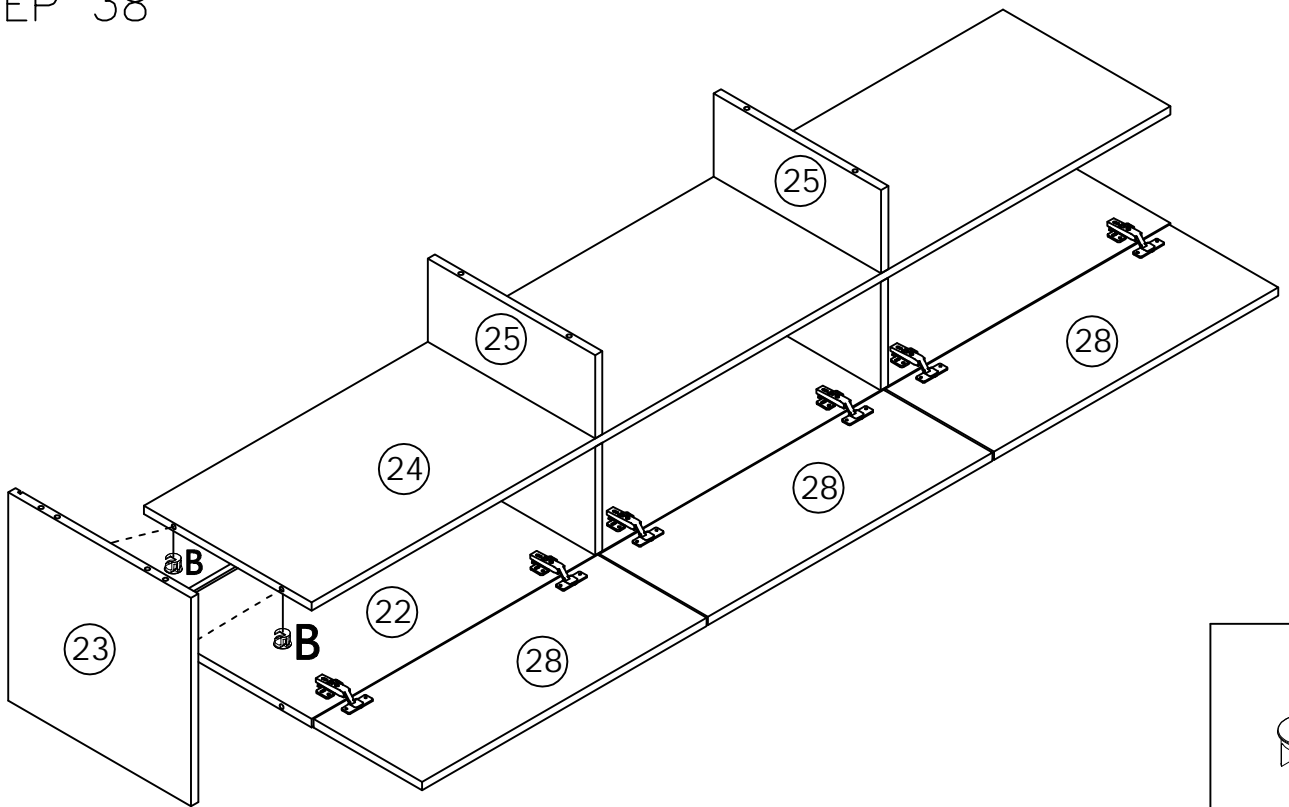


A

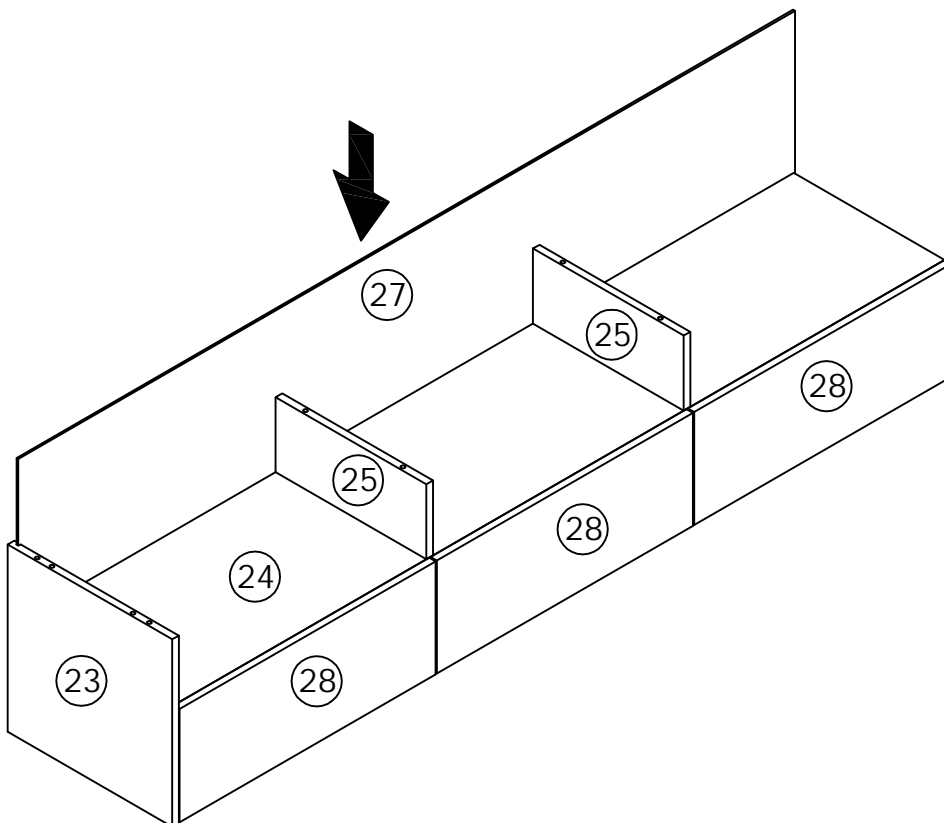


4PCS

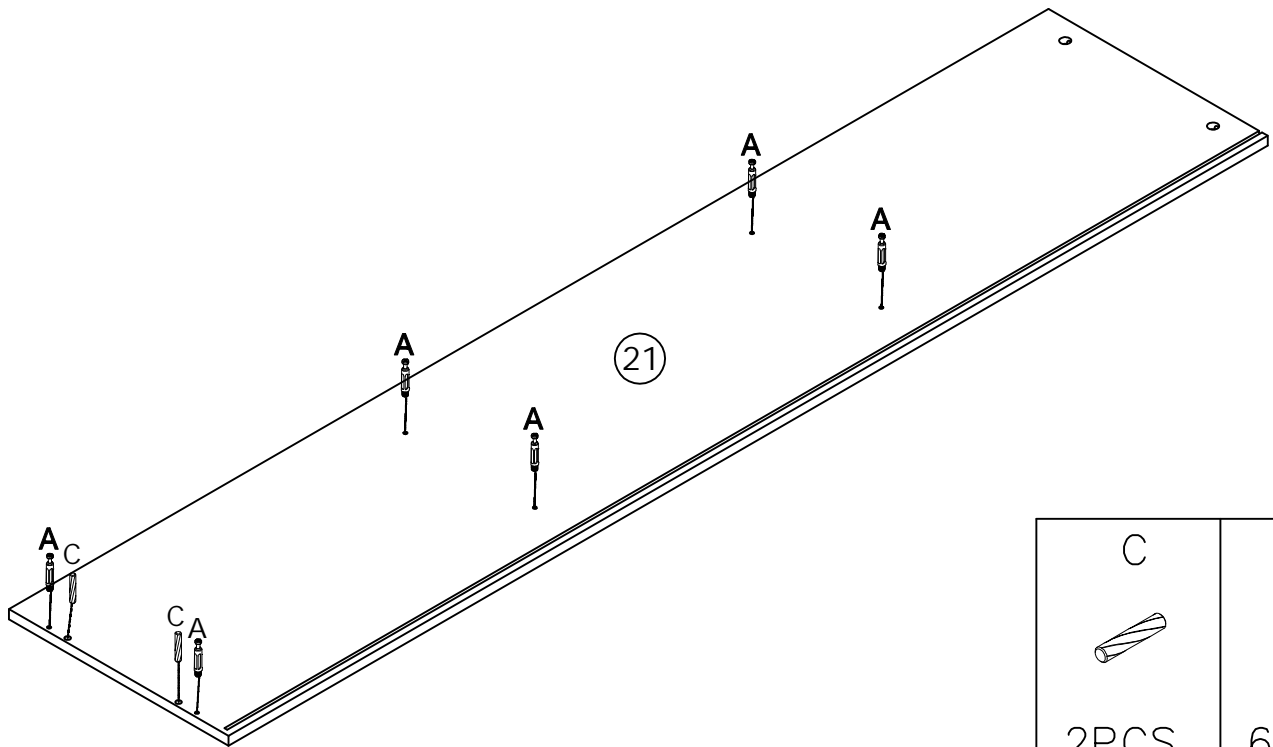
STEP 38



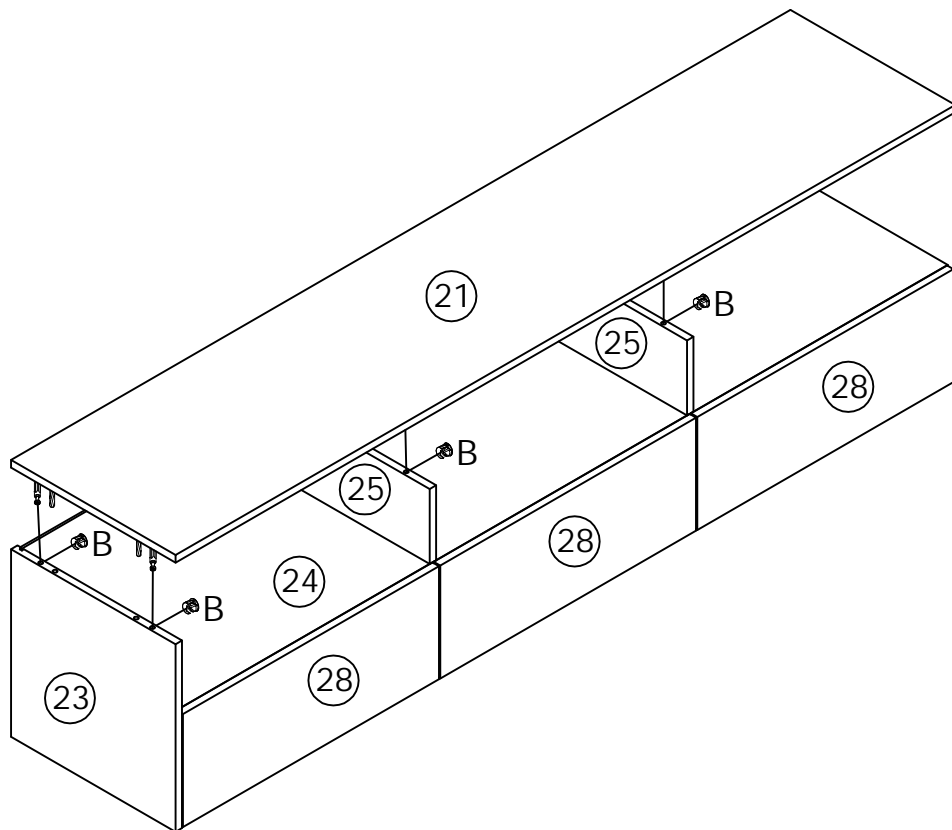
STEP 39



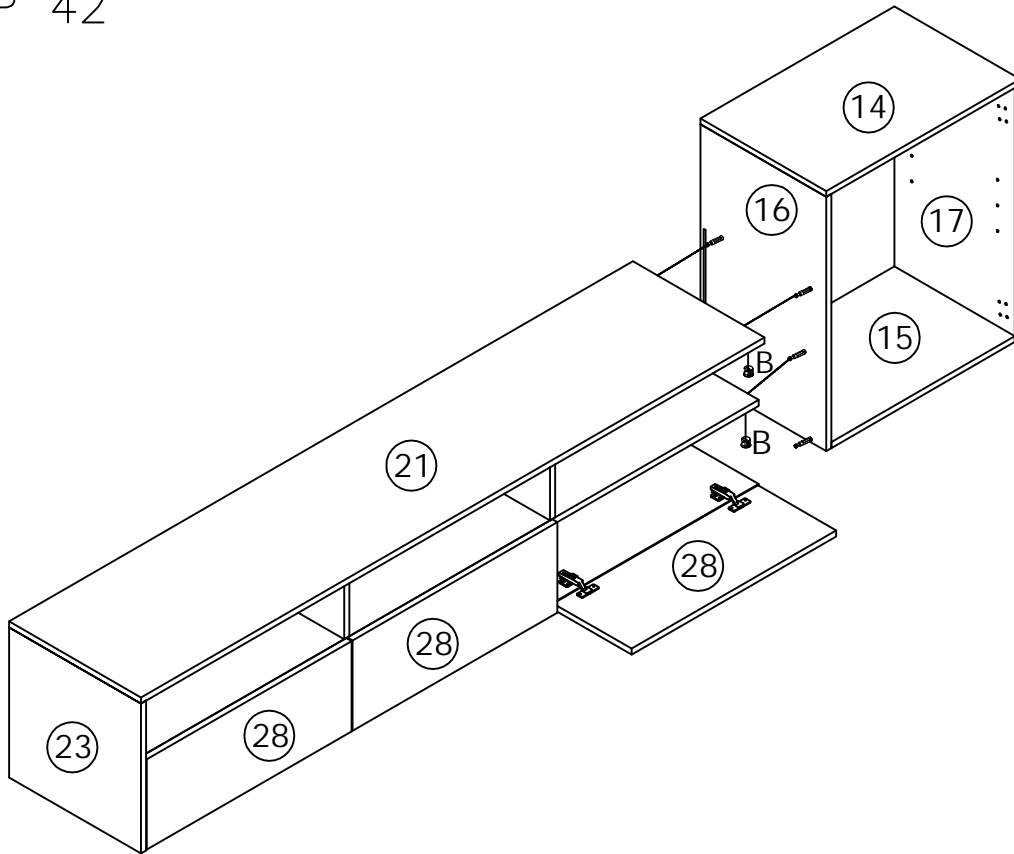
STEP 40




STEP 41

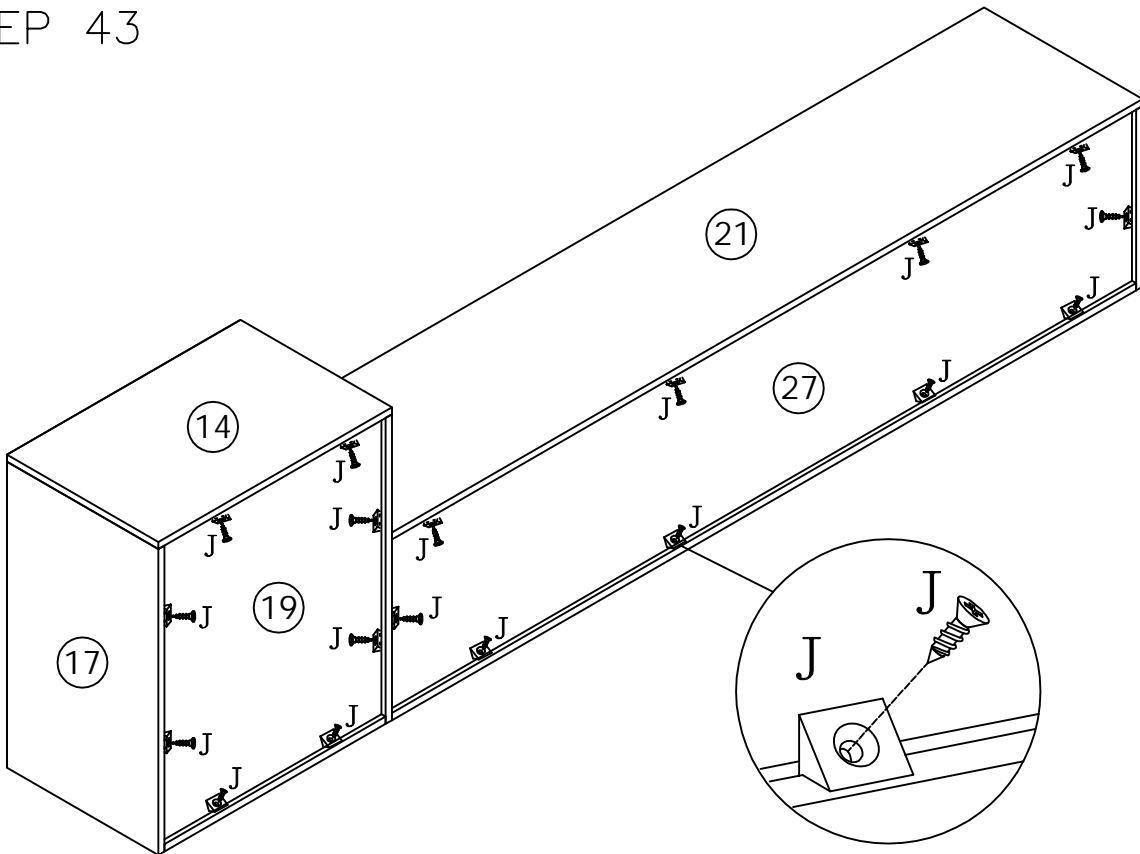



STEP 42



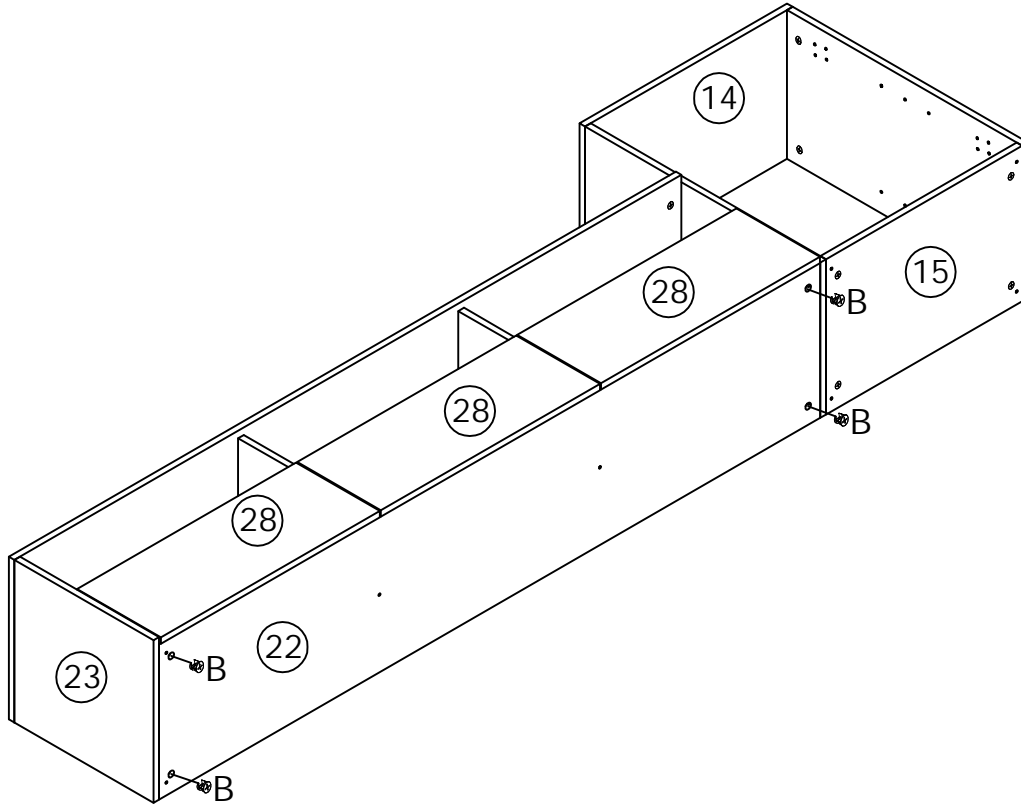
B

4PCS

STEP 43




J

18PCS

STEP 44

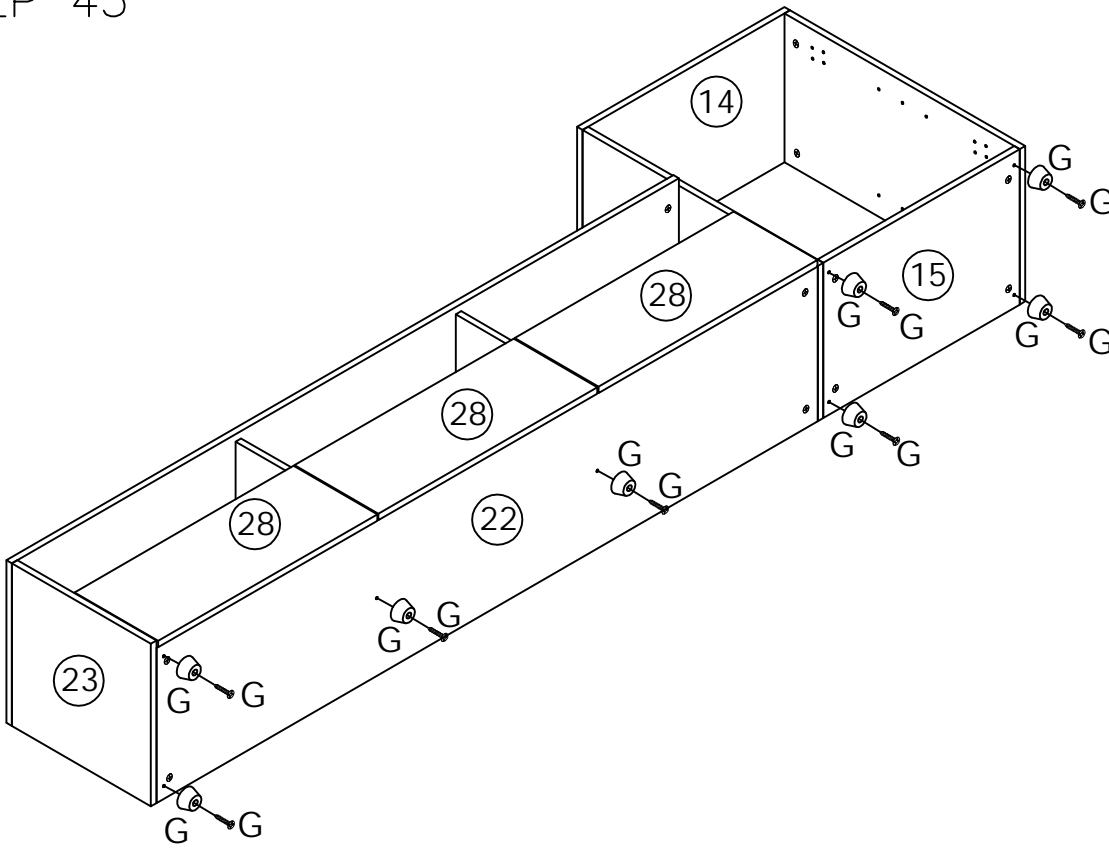


B




4PCS

STEP 45

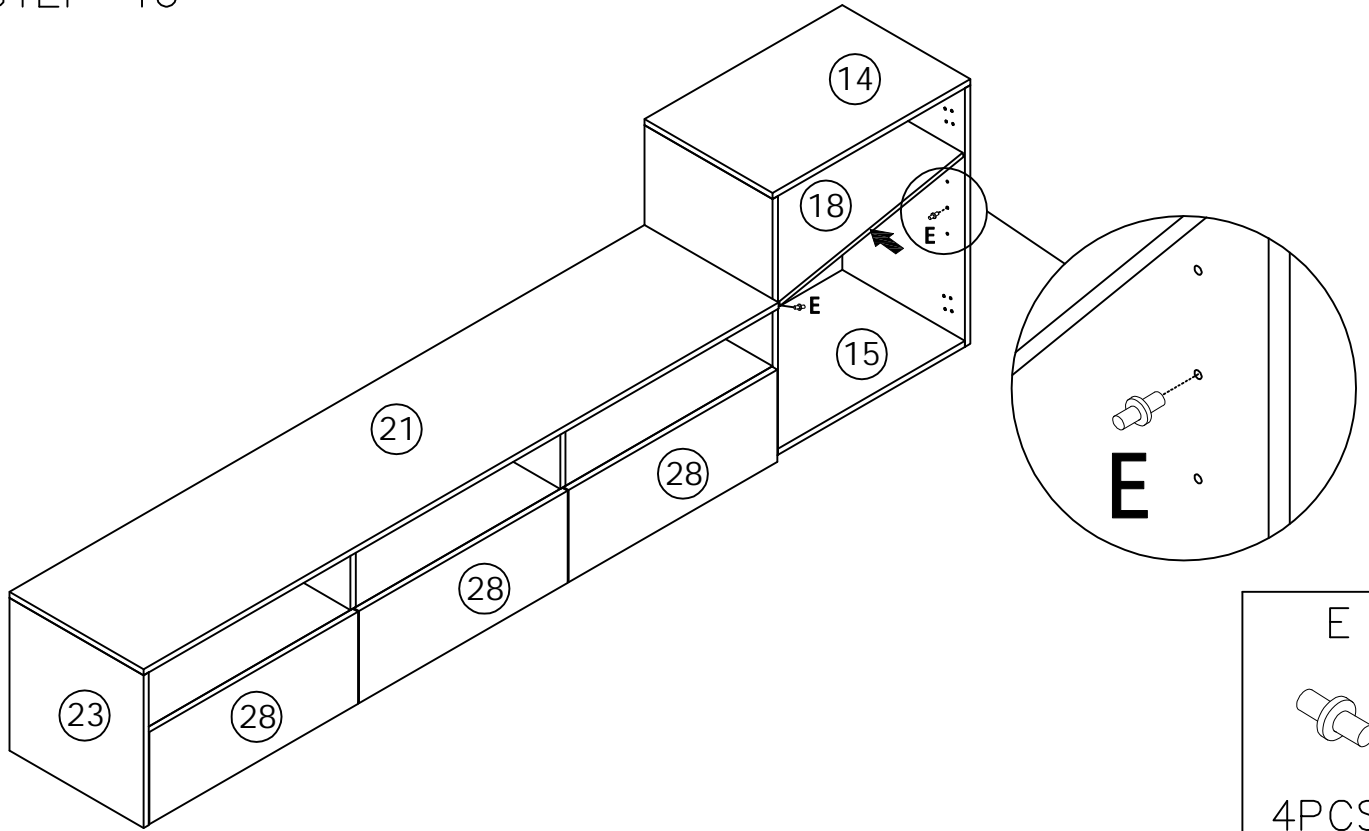


G

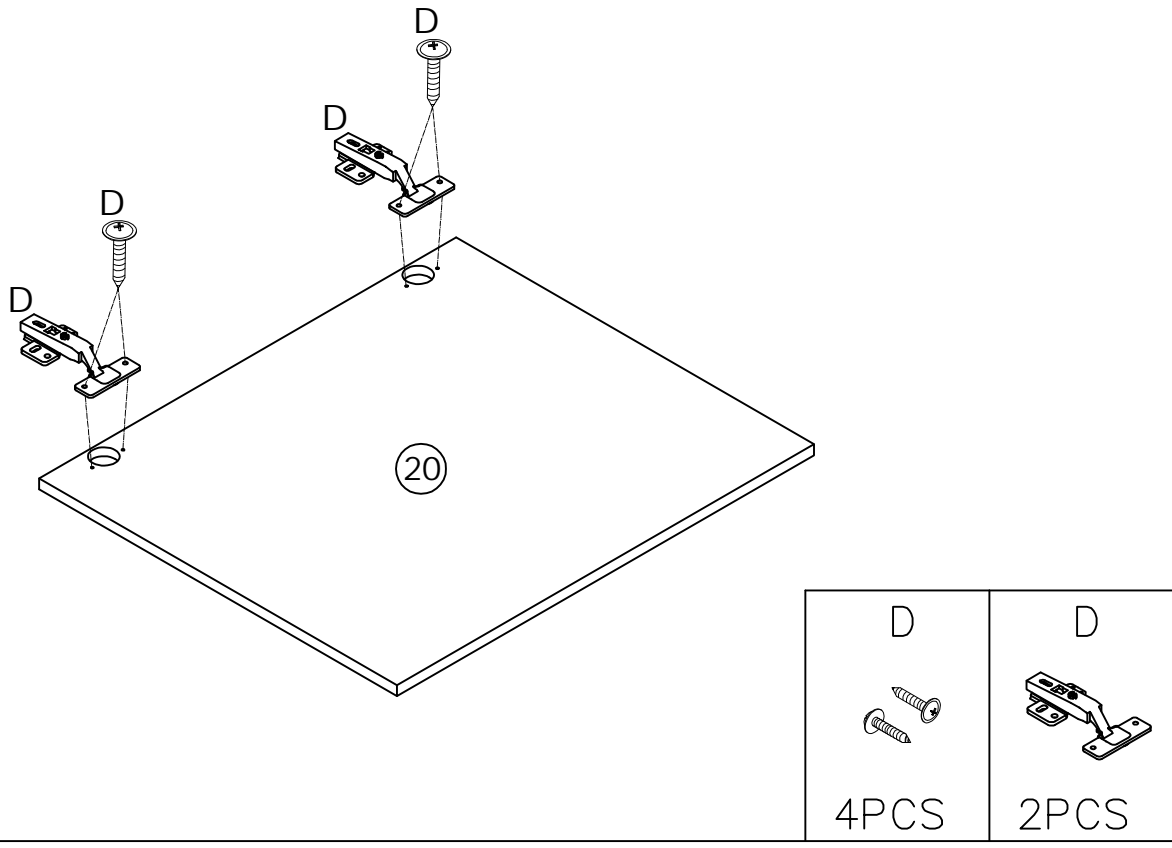


8PCS

STEP 46

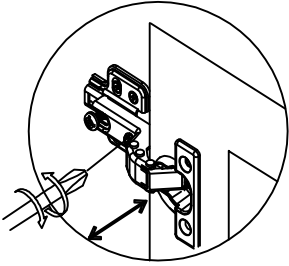


STEP 47

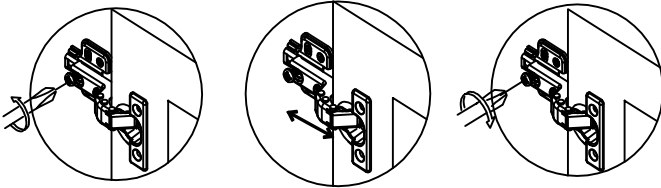


STEP 48

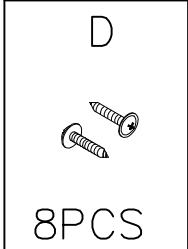
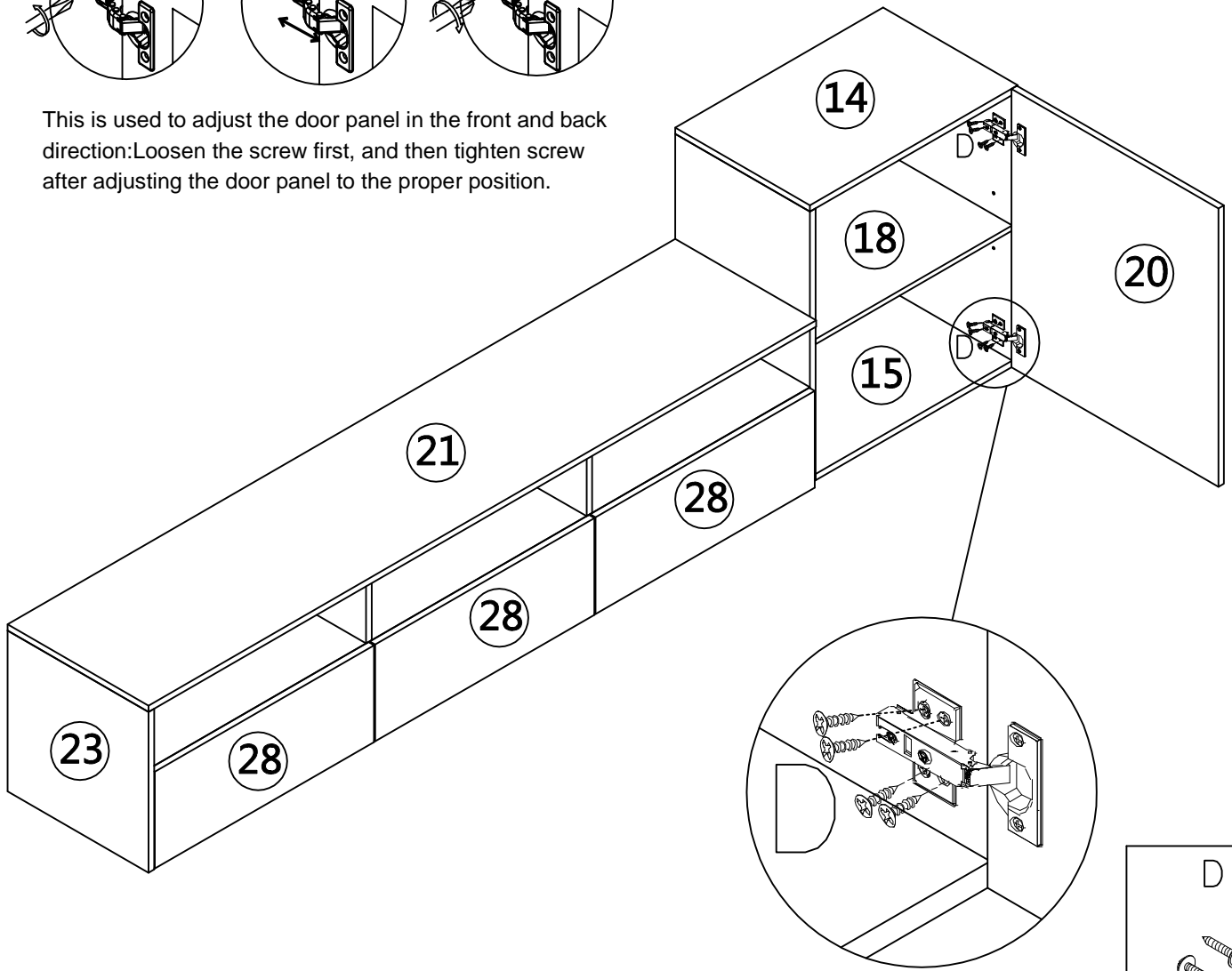
If the door can't close, please adjust the hinges.



This is used to adjust the door panel in the up and down direction.



This is used to adjust the door panel in the front and back direction: Loosen the screw first, and then tighten screw after adjusting the door panel to the proper position.



STEP 49

