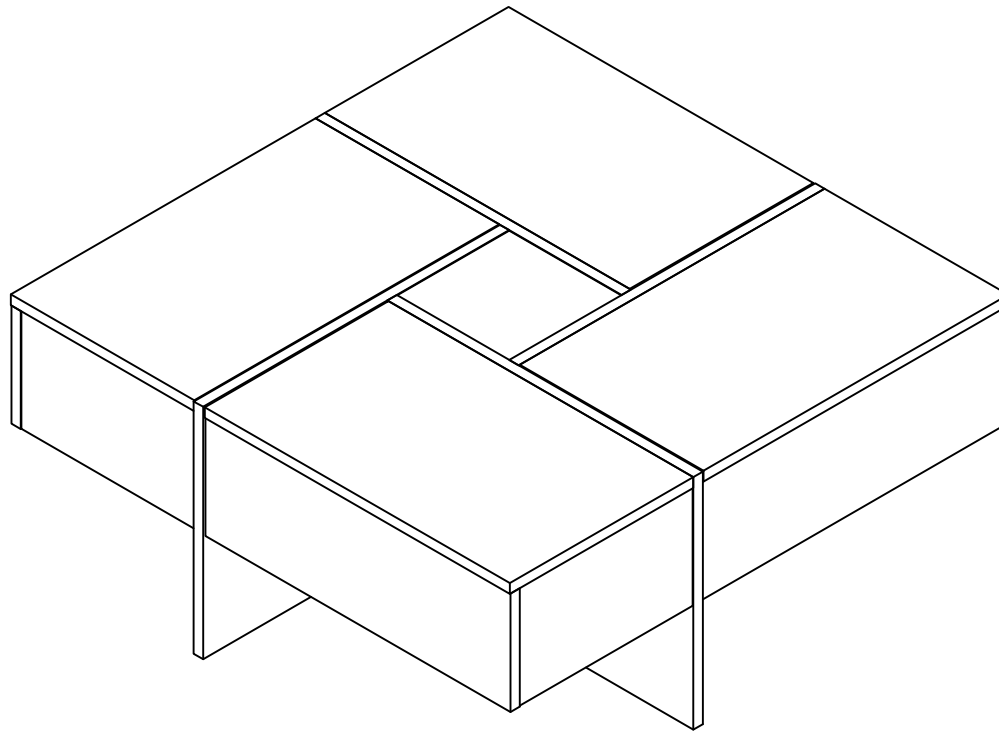


# Coffee Table



Width-31.5 inch  
Depth-31.5inch  
Height-13.78inch

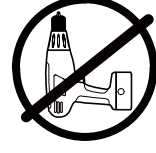


# Safety and Care Advice

**Important – Please read these instructions fully before starting assembly**

- Check you have all the components and tools listed on the following pages.
- Remove all fittings from the plastic bags and separate them into their groups.
- Keep children and animals away from the work area, small parts could choke if swallowed.
- Make sure you have enough space to layout the parts before starting.

- During assembly do not stand or put weight on the product, this could cause damage.
- Assemble the item as close to its final position (in the same room) as possible.
- Assemble on a soft level surface to avoid damaging the unit or your floor.
- Parts of the assembly will be easier with 2 people.



- To reduce the likelihood of damaging your product please ensure that your power drill is set on a low torque setting.

## Care and maintenance

- Only clean using a damp cloth and mild detergent, do not use bleach or abrasive cleaners.

- From time to time check that there are no loose screws on this unit.

- This product should not be discarded with household waste. Take to your local authority waste disposal centre.

## Handy Hints

- Assemble all parts and bolts loosely during assembly, only once the product is complete should you fully tighten the bolts

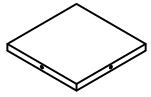
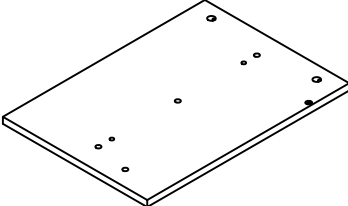
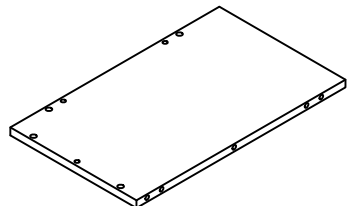
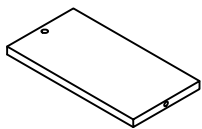
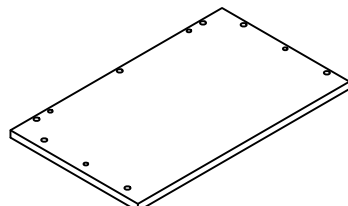
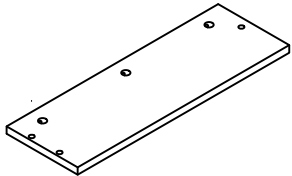
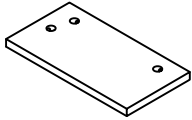
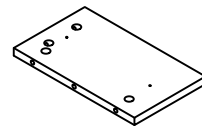
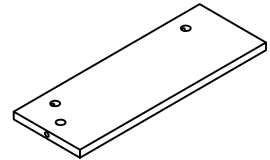
- Regularly check and ensure That all bolts and fittings are tightened properly.

**WARNING**  
**In order to help prevent overturning – please follow these instructions**

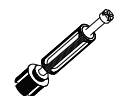

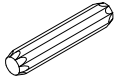
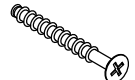
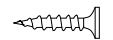




To help prevent product toppling over please follow the below steps:-

- Use the anti tip stap or wall fixing method provided (if applicable)
- Do not allow children to climb or hang on the furniture
- Do not open more than one drawer at a time
- Do not place heavy items in the top drawers
- Do not place heavy items on top of the furniture, unless the furniture has been designed for this purpose

# Components - Fittings

<p>① 180*180*15mm</p>  <p>1PS</p>	<p>② 490*350*15mm</p>  <p>4PS</p>	<p>③ 461*278*15mm</p>  <p>4PS</p>	<p>④ 278*146*15mm</p>  <p>4PS</p>	<p>⑤ 488*294*15mm</p>  <p>4PS</p>
<p>⑥ 488*164*15mm</p>  <p>4PS</p>	<p>⑦ 278*146*15mm</p>  <p>4PS</p>	<p>⑧ 278*164*15mm</p>  <p>4PS</p>	<p>⑨ 410*146*15mm</p>  <p>4PS</p>	

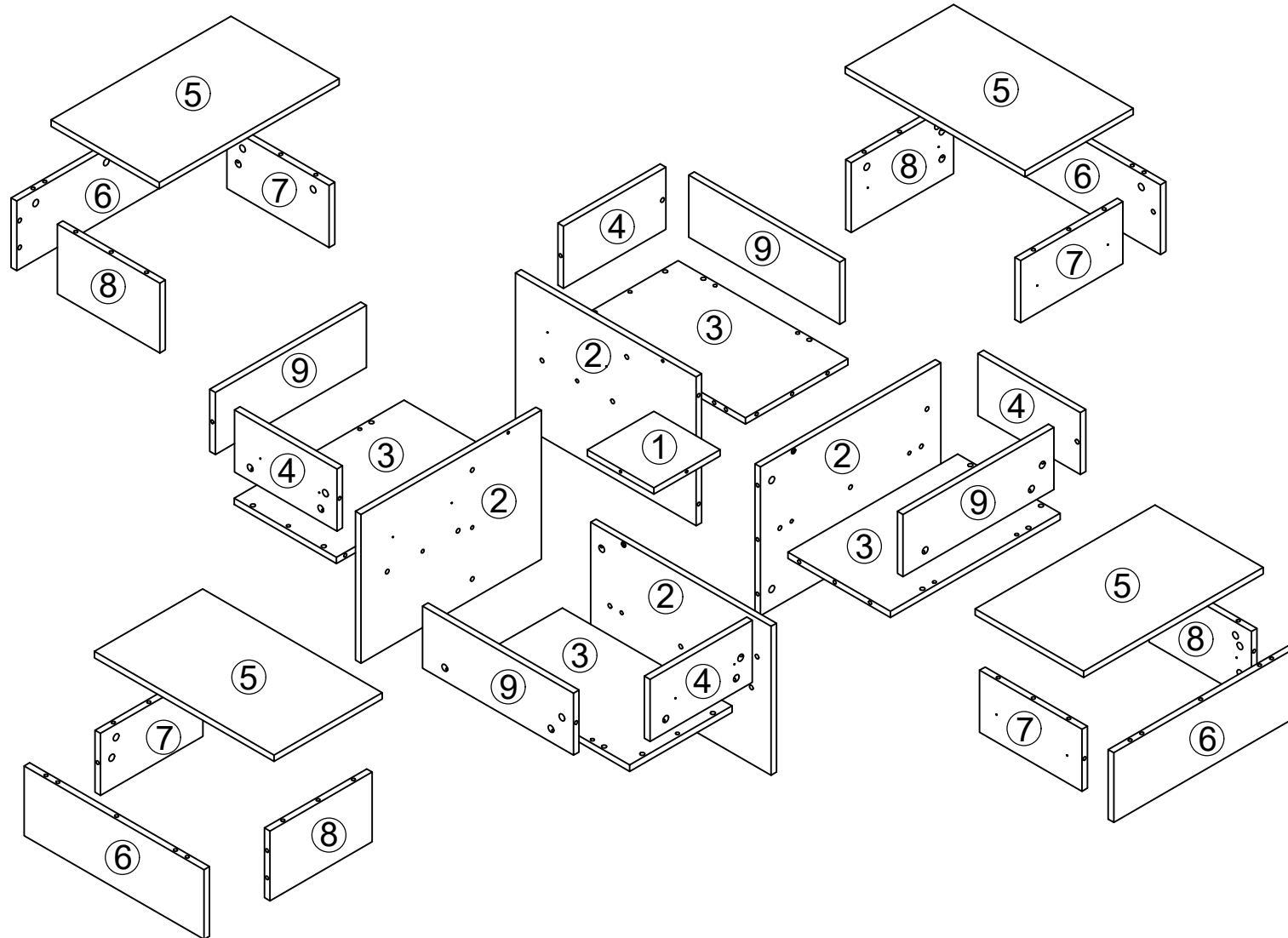
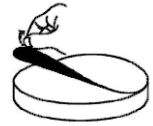
TOOLS 

<p><b>A</b> 6*40mm</p>  <p>Cam Bolt 92+2PCS</p>	<p><b>B</b> 14*11mm</p>  <p>Cam lock 92+2PCS</p>	<p><b>C</b> 8*40mm</p>  <p>Dowel 44+2PCS</p>	<p><b>D</b> 7*50mm</p>  <p>Screw 4PCS</p>	<p><b>E</b> 3.5*14mm</p>  <p>Screw 32+2PCS</p>	<p><b>F</b> 300mm</p>  <p>Sliding rail 8PCS</p>	<p><b>G</b></p>  <p>Paster 4PCS</p>	<p><b>H</b></p>  <p>Paster 4PCS</p>	<p><b>I</b></p>  <p>Paster 8PCS</p>
---	---	---	--	--	--	--	--	--

# Components - Fittings

PLEASE NOTE: Part number **1**, Part number **5**, Part number **6**, Part number **8** are covered with a tight plastic protective film.

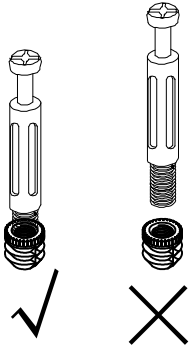
If there are scratches on the product after disassembly, please don't worry, it's not product damage. Please slowly tear off the protective plastic film on the surface along the edge. After peeling off, the product becomes smooth and clean.





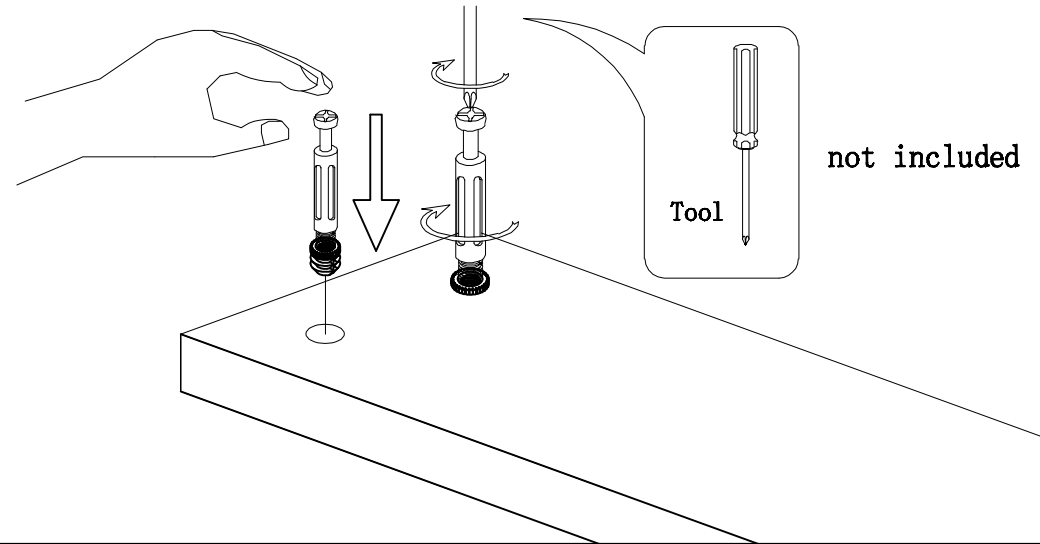
# "A" Hardware installation example

I

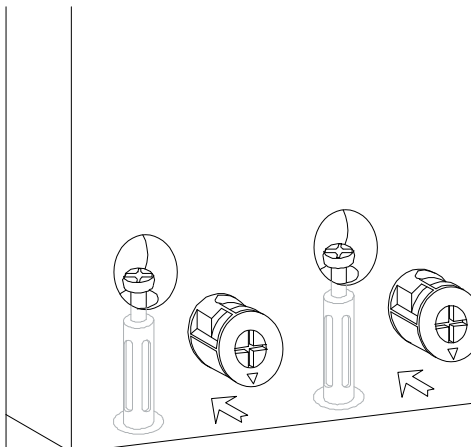


This part cannot be separated,  
please install in strict  
accordance with the assembly  
requirements

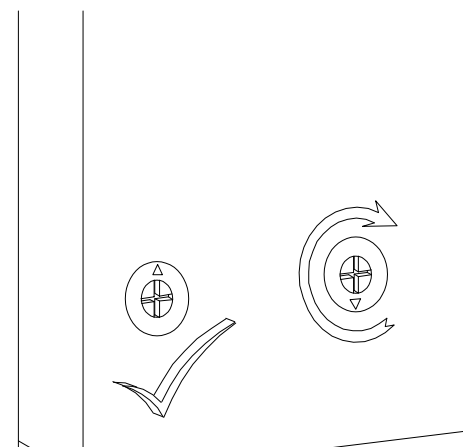
II



III

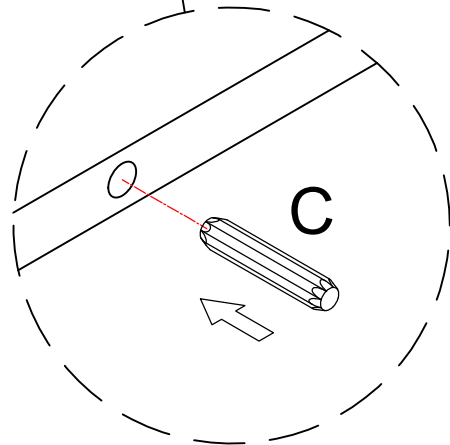
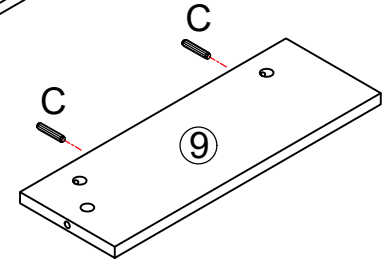
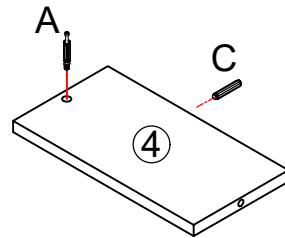
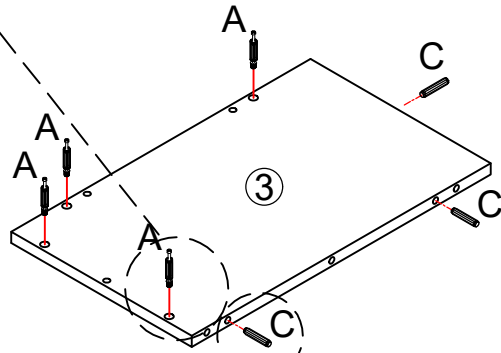
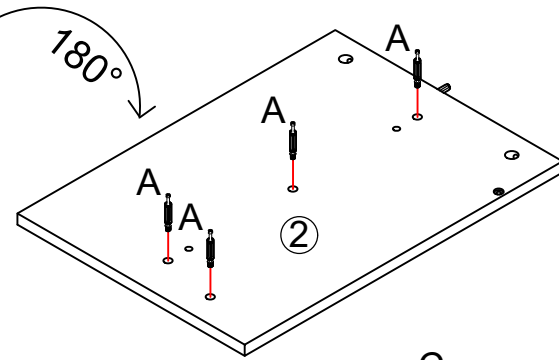
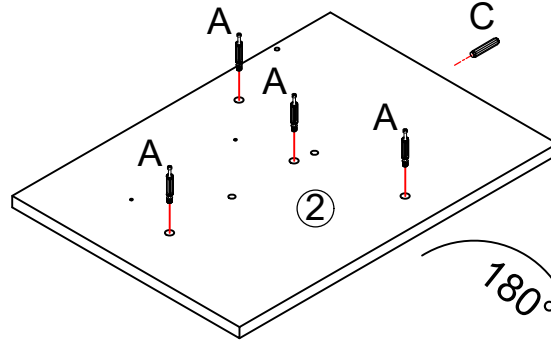
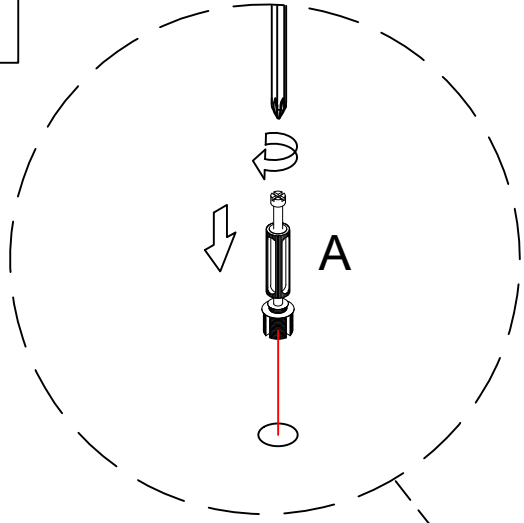


IV



# Assembly Instructions

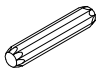
1



**X4**



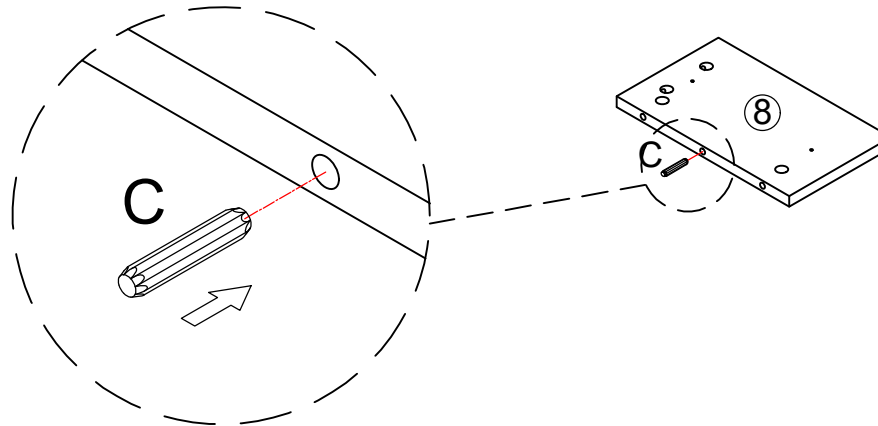
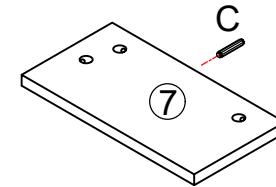
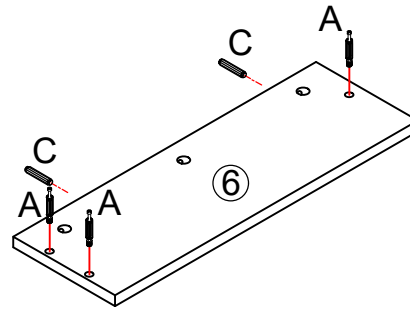
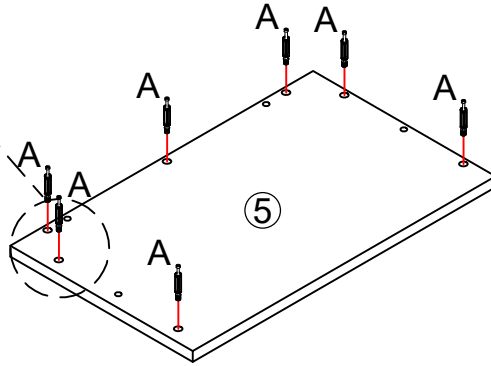
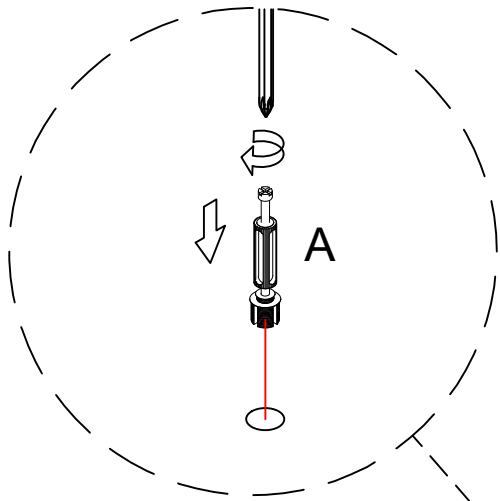
A\*52




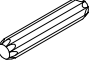
C\*28

2

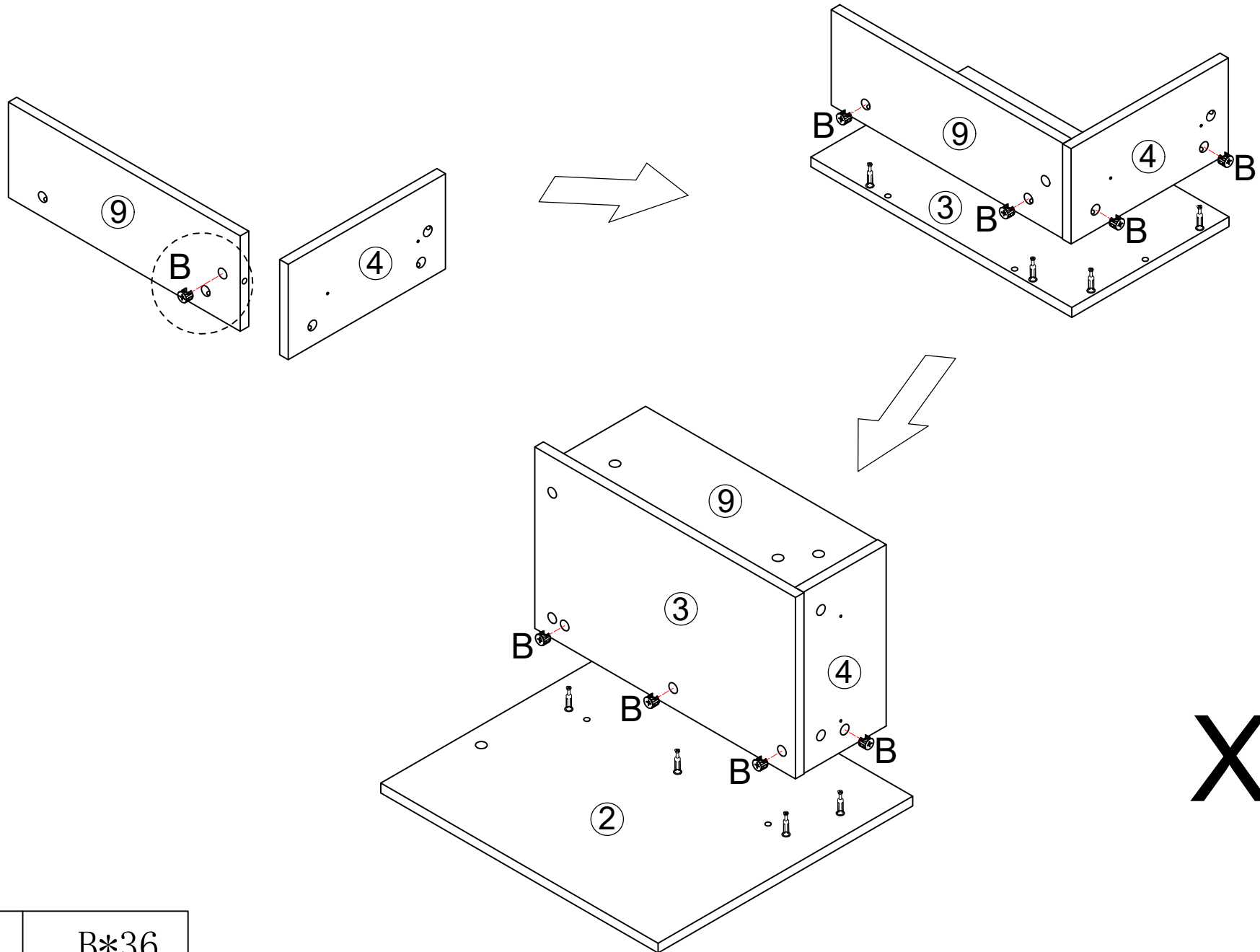
# Assembly Instructions



# X4

	A*40
	C*16

# Assembly Instructions

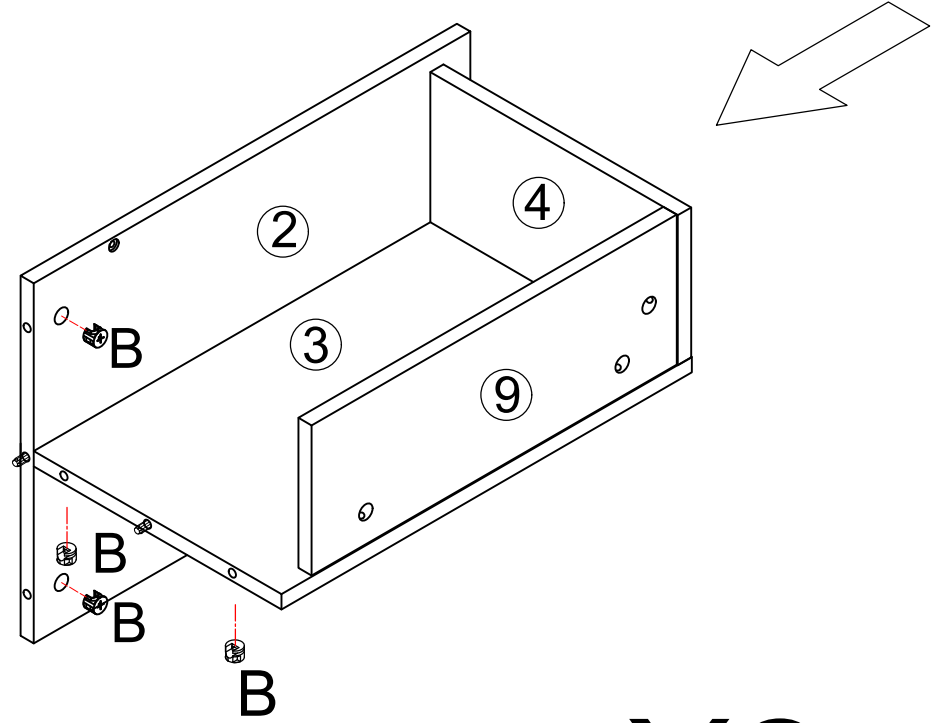
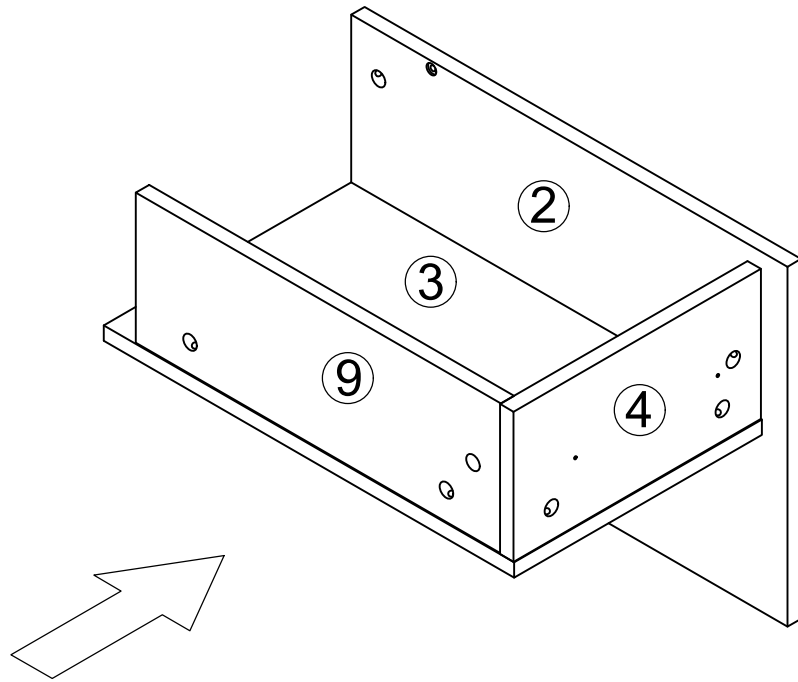


**X4**



B\*36

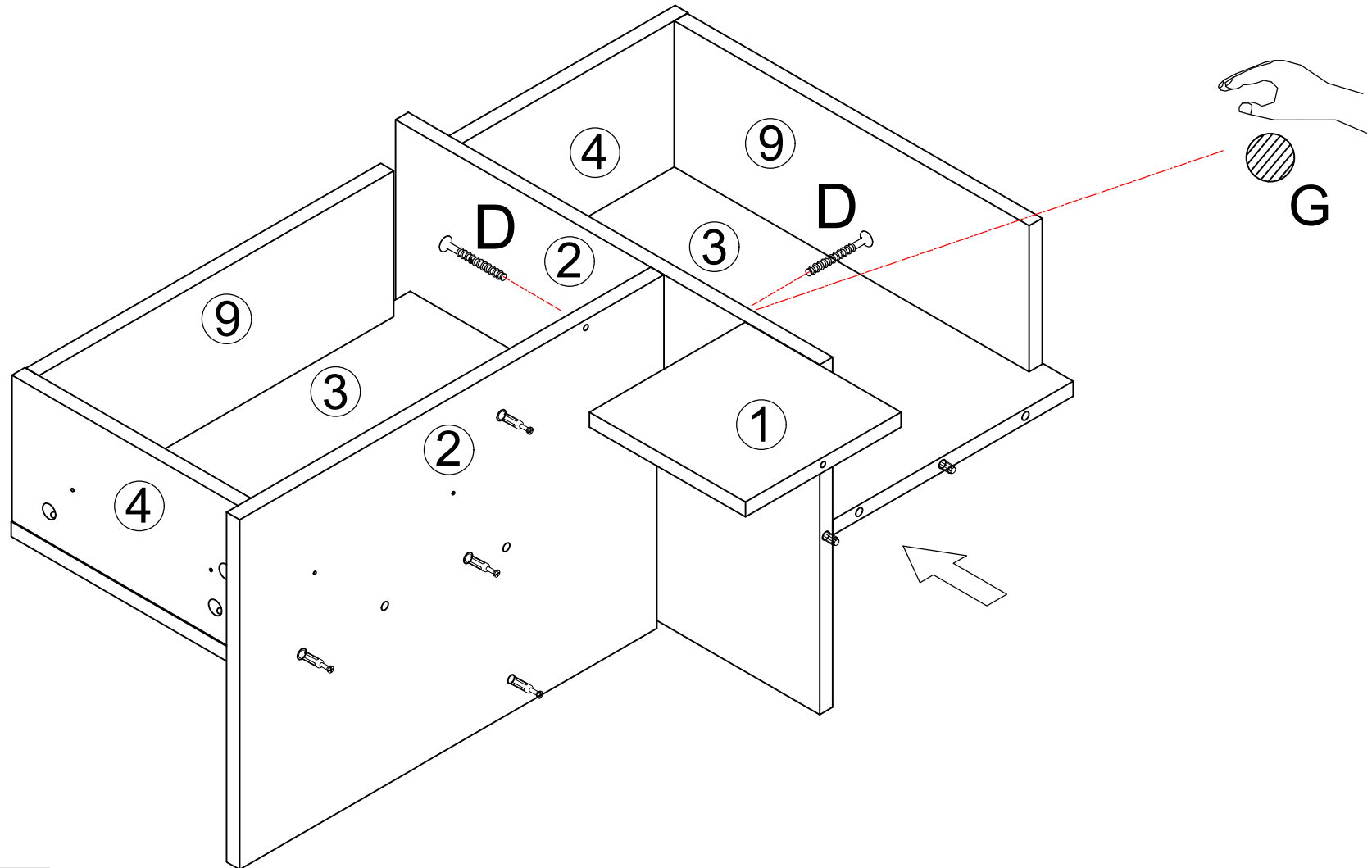
# Assembly Instructions



**X2**



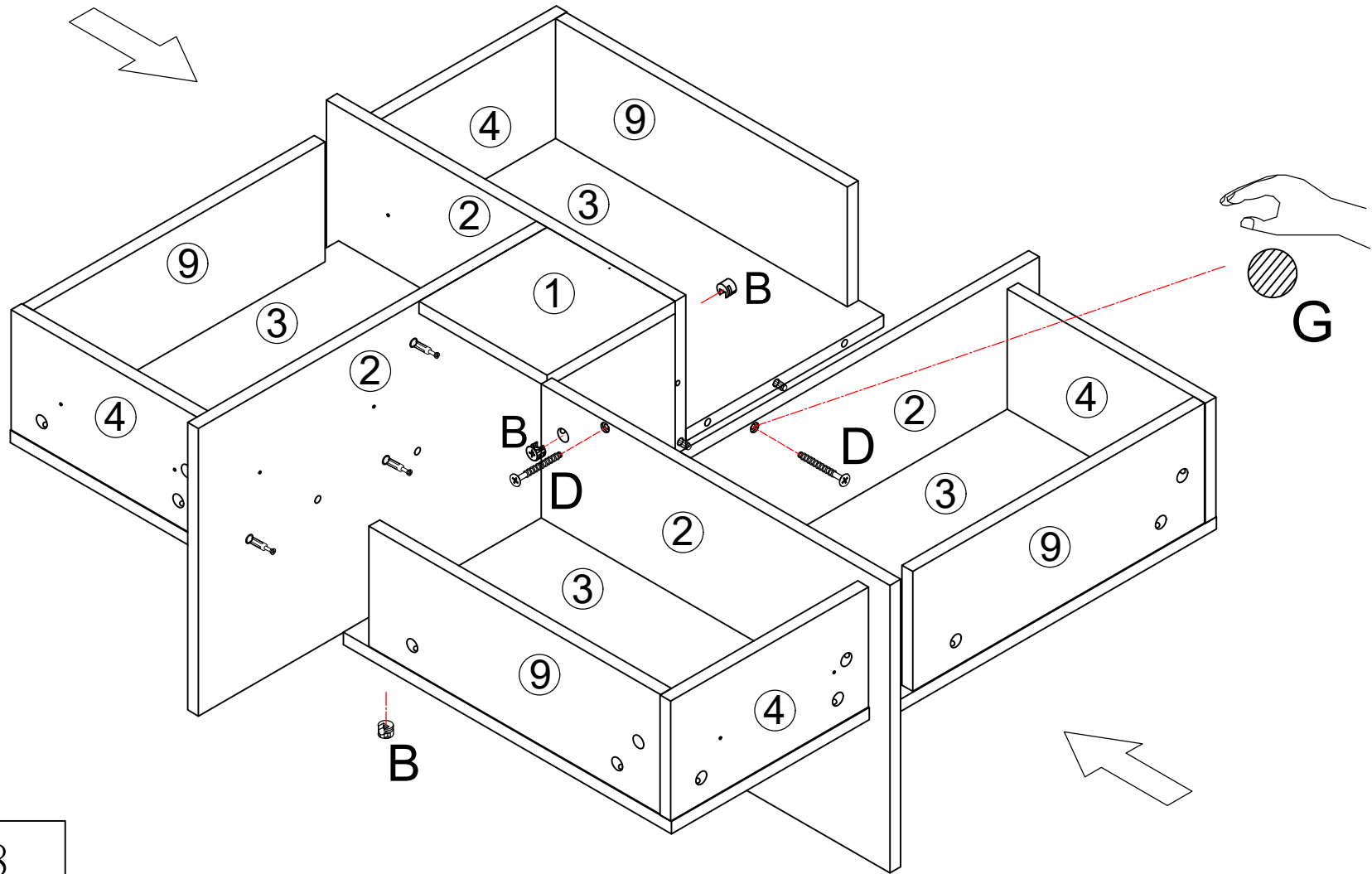
B\*8



D\*2



G\*2



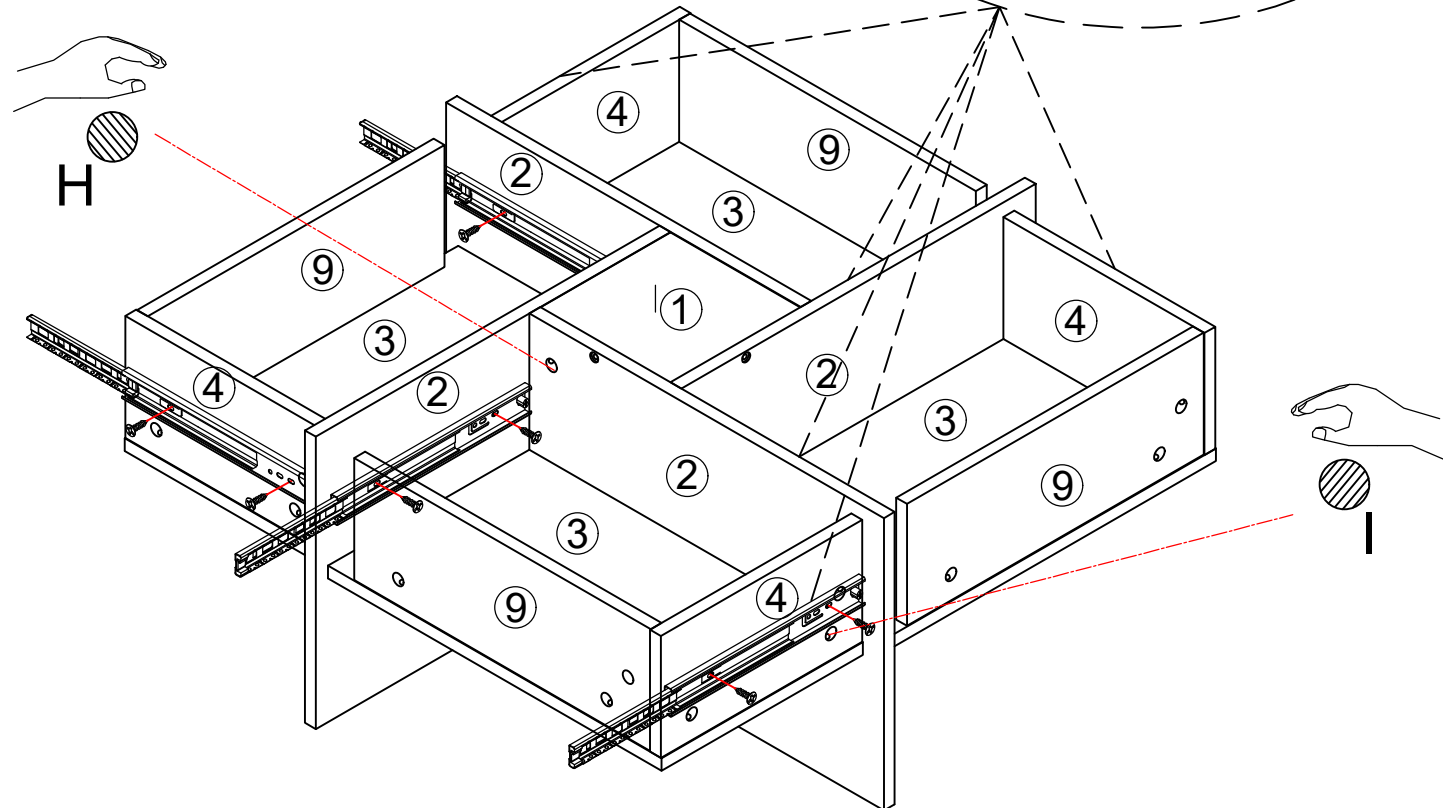
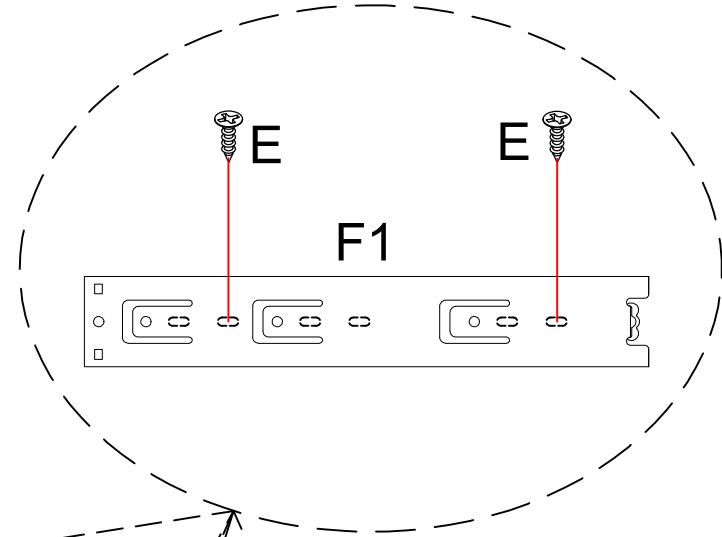
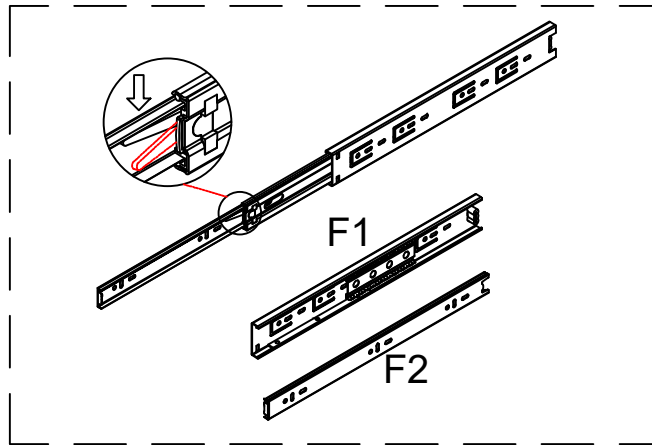
B\*8



D\*2



G\*2



E\*16



F1\*8



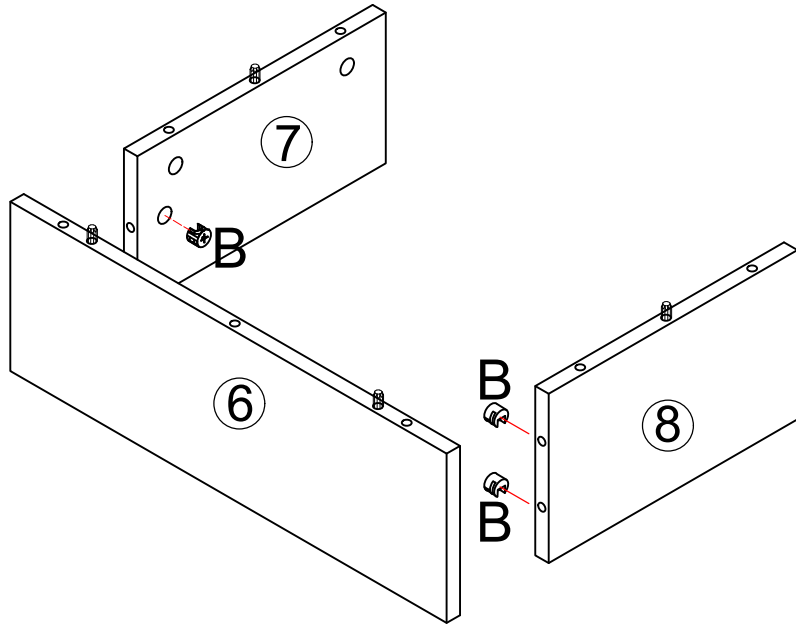
H\*4



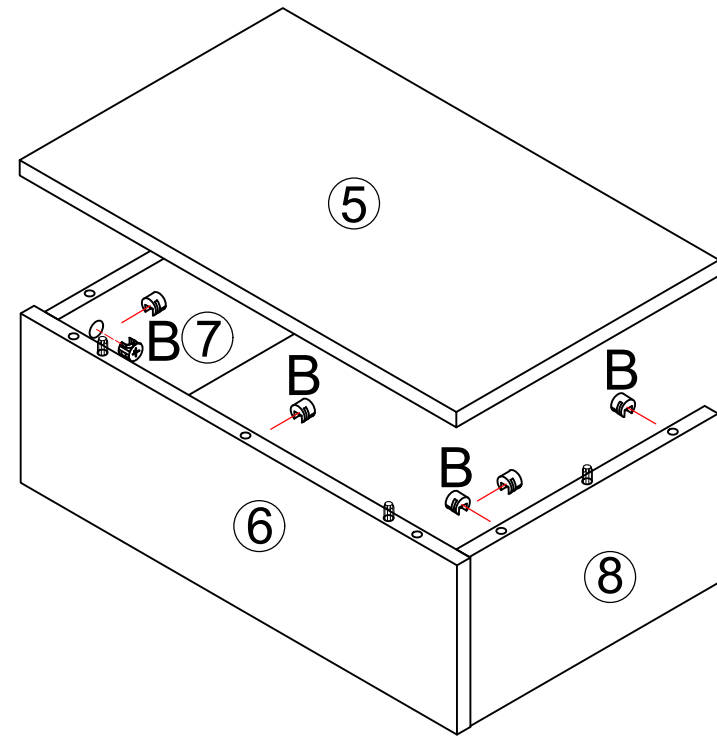
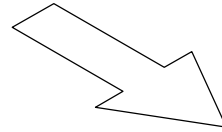
I\*8



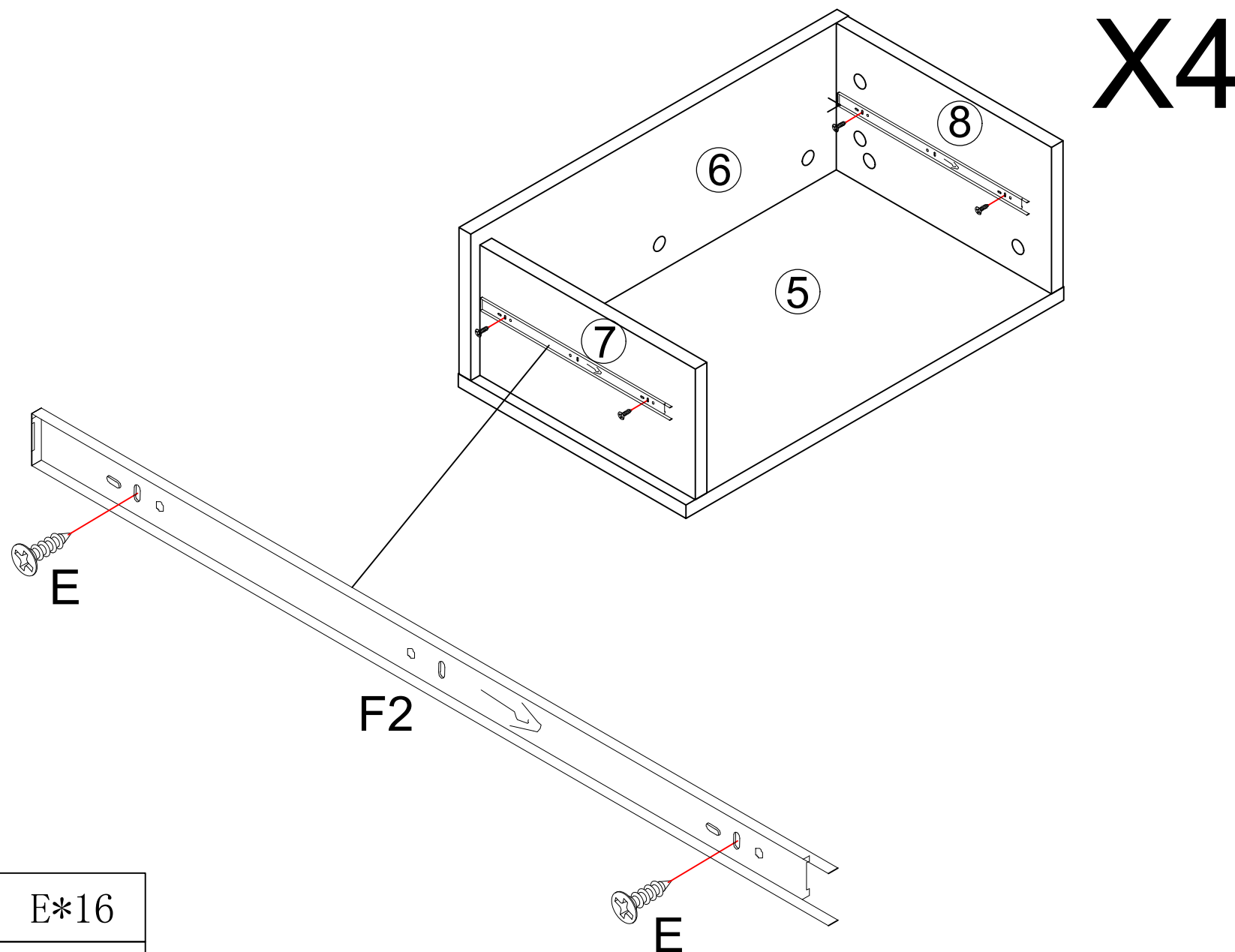
# Assembly Instructions



X4



B\*40

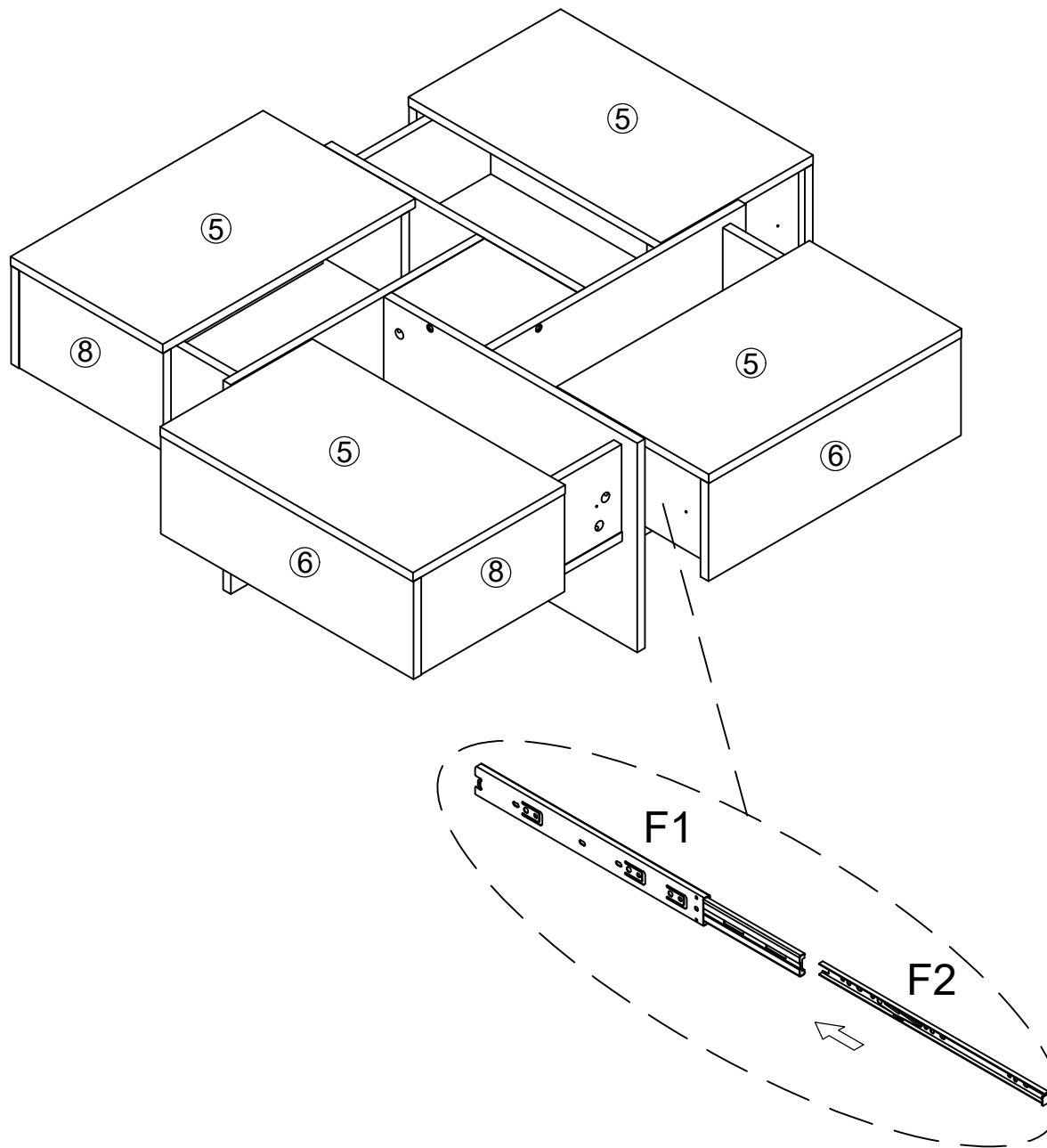


E\*16



F2\*8

# Assembly Instructions



# Assembly Instructions

PLEASE NOTE: Part number **1**, Part number **5**, Part number **6**, Part number **8** are covered with a tight plastic protective film.

If there are scratches on the product after disassembly, please don't worry, it's not product damage. Please slowly tear off the protective plastic film on the surface along the edge. After peeling off, the product becomes smooth and clean.

