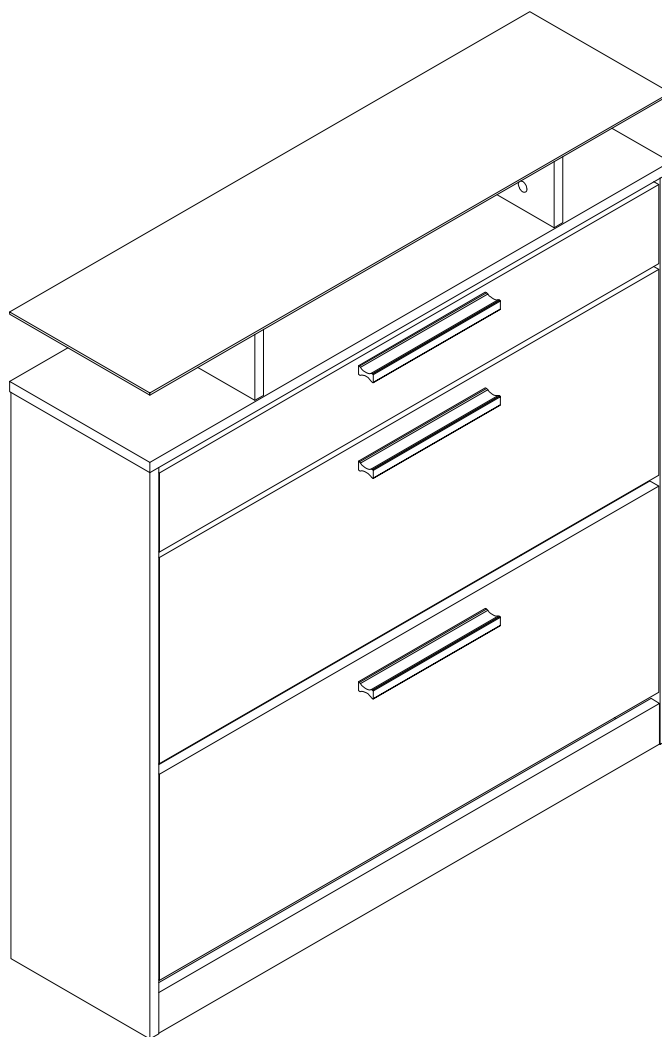


Shoe Cabinet

Assembly Instruction-please keep for future reference



Dimensions

Width-35.04inch

Depth-9.06inch

Height-40.94inch

Important-please read this instructions fully before starting assembly



Safety and Care Advice

Important – Please read these instructions fully before starting assembly

- Check you have all the components and tools listed on the following pages.
- Remove all fittings from the plastic bags and separate them into their groups.
- Keep children and animals away from the work area, small parts could choke if swallowed.
- Make sure you have enough space to layout the parts before starting.

- During assembly do not stand or put weight on the product, this could cause damage.
- Assemble the item as close to its final position (in the same room) as possible.
- Assemble on a soft level surface to avoid damaging the unit or your floor.
- Parts of the assembly will be easier with 2 people.



power drill is set on a low torque setting.

- To reduce the likelihood of damaging your product please ensure that your

Care and maintenance

- Only clean using a damp cloth and mild detergent, do not use bleach or abrasive cleaners.
- From time to time check that there are no loose screws on this unit.
- This product should not be discarded with household waste. Take to your local authority waste disposal centre.

Handy Hints

- Assemble all parts and bolts loosely during assembly, only once the product is complete should you fully tighten the bolts
- Regularly check and ensure That all bolts and fittings are tightend properly.

WARNING In order to help prevent overturning – please follow these instructions

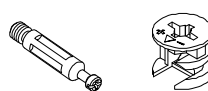
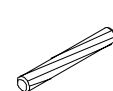


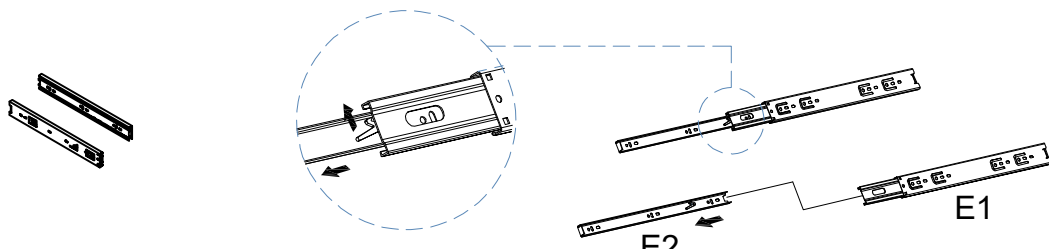
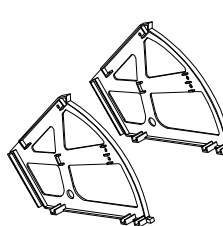
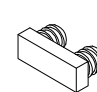



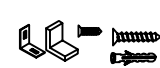
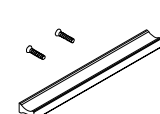
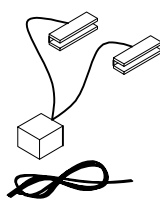



To help prevent product toppling over please follow the below steps:-

- Use the anti tip stap or wall fixing method provided (if applicable)
- Do not allow children to climb or hang on the furniture
- Do not open more than one drawer at a time
- Do not place heavy items in the top drawers
- Do not place heavy items on top of the furniture, unless the furniture has been designed for this purpose

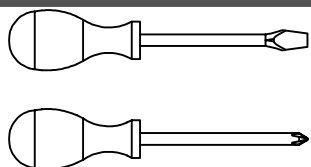
Components- Fittings

Please check you have all the panels listed below

Note: The quantities below are the correct amount to complete the assembly. In some cases more fittings may be supplied than are required

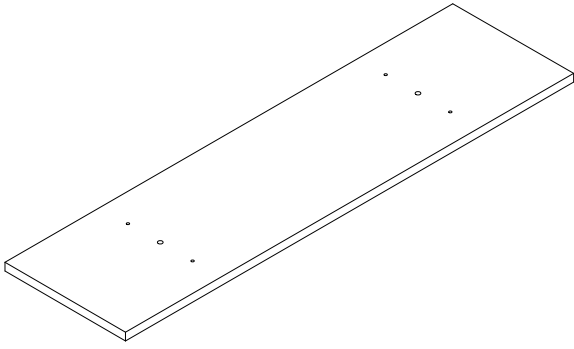
<p>A</p>  <p>Ø5*40 26PCS</p>	<p>B</p>  <p>Ø8*40 14PCS</p>	<p>C</p>  <p>Ø3.5*14 30PCS</p>	<p>D</p>  <p>Ø3.5*35 4PCS</p>
<p>E</p>  <p>200MM 1PCS</p>			
<p>L</p>  <p>2PCS</p>	<p>M</p>  <p>4PCS</p>	<p>N</p>  <p>4PCS</p>	<p>O</p>  <p>4PCS</p>
<p>F</p>  <p>4PCS</p>	<p>H</p>  <p>2PCS</p>	<p>G</p>  <p>3PCS</p>	<p>J</p>  <p>1PCS</p>
<p>I</p>  <p>Ø3.5*16 12PCS</p>	<p>K</p>  <p>6PCS</p>	<p>P</p>  <p>Ø4*12 4PCS</p>	

Tools Require



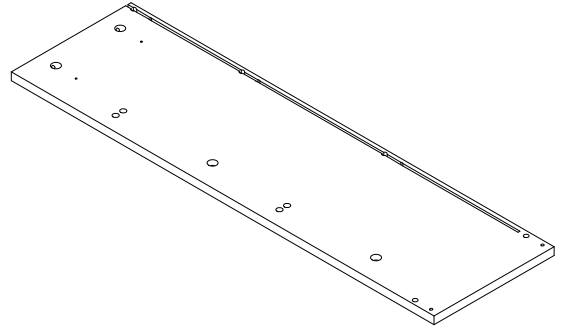
**Phillips screwdriver
(medium & large)**

①



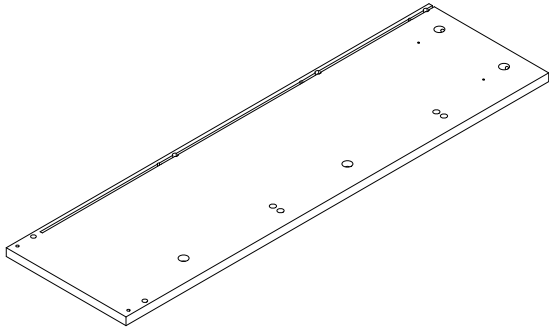
1PC

②



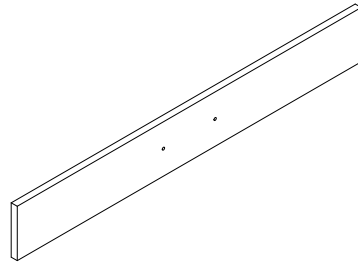
1PC

③



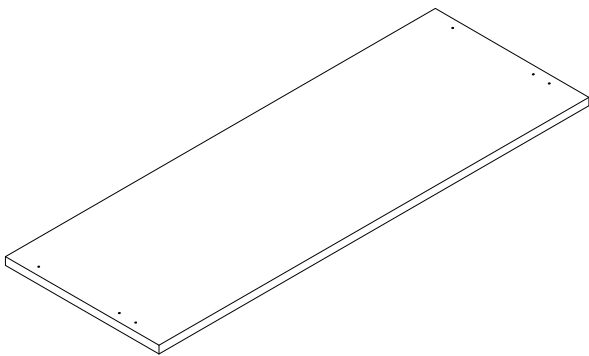
1PC

④



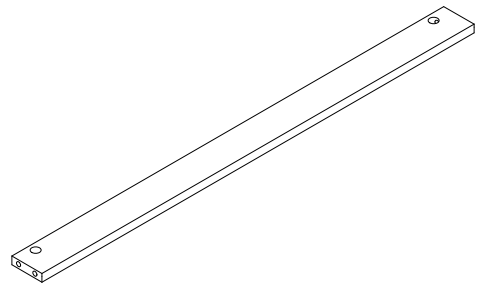
1PC

⑤



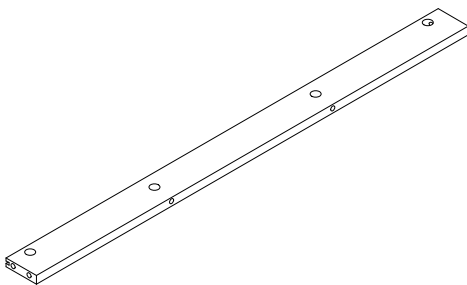
2PCS

⑥



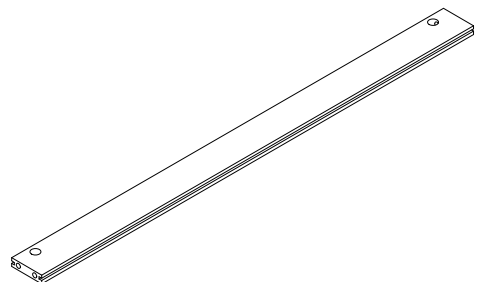
1PC

⑦



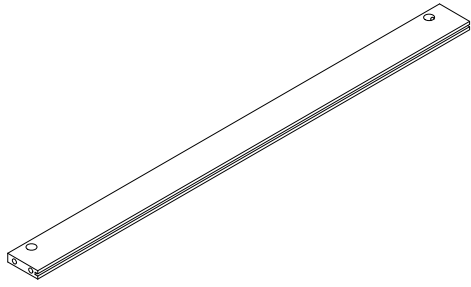
1PC

⑧



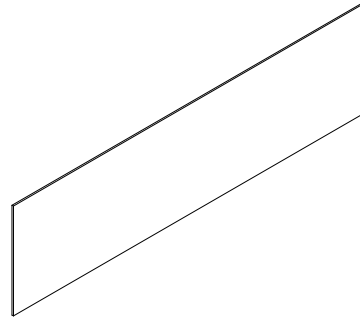
2PCS

⑨



1PC

⑩



3PCS

⑪



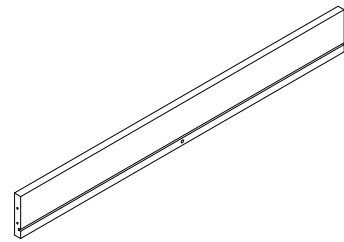
1PC

⑫



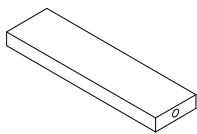
1PC

⑬



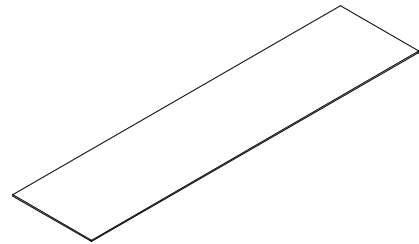
1PC

⑭



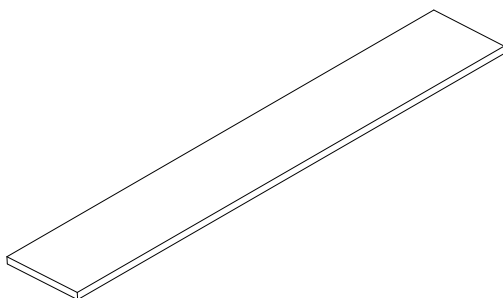
1PC

⑮



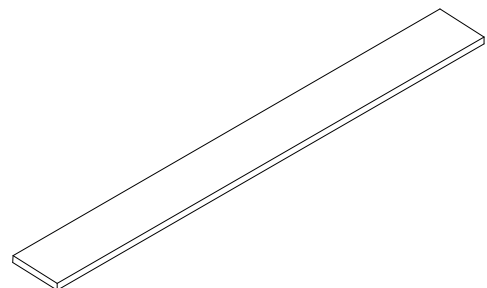
1PC

⑯



4PCS

⑰

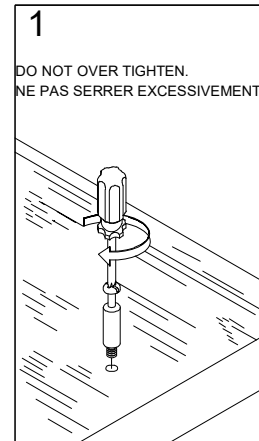


2PCS

Using Camlocks

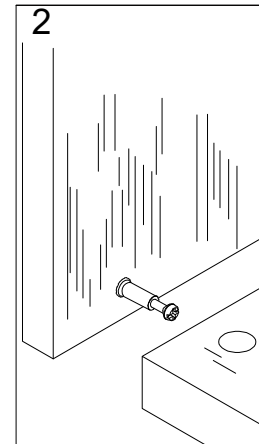
Step 1

Connect the male camlock as directed in the assembly instructions using a screwdriver.



Step 2

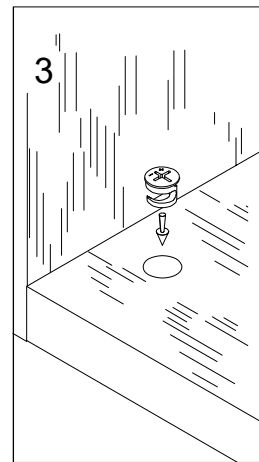
Push the male camlock into the entry hole.



Step 3

Insert the female camlock as shown in the instruction.

Note: ensure that the arrow on the top of the camlock points towards the entry hole for the male camlock.

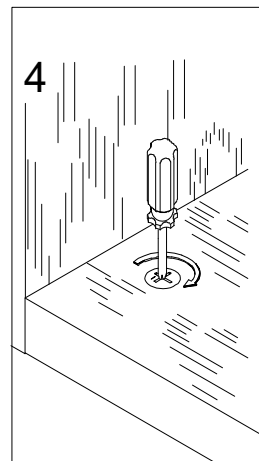


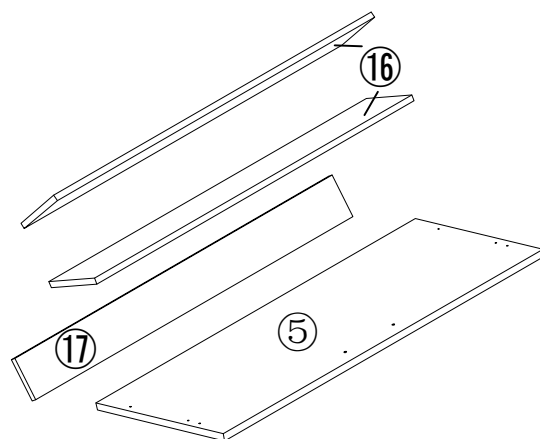
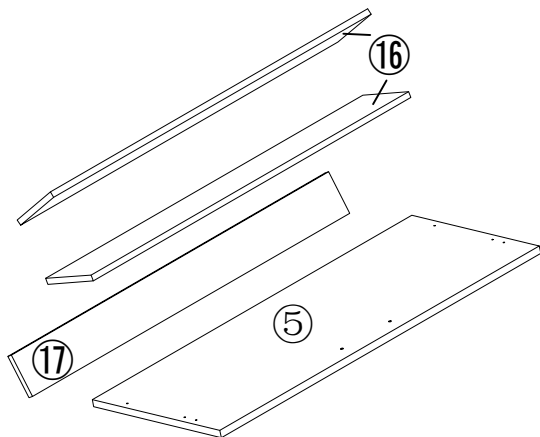
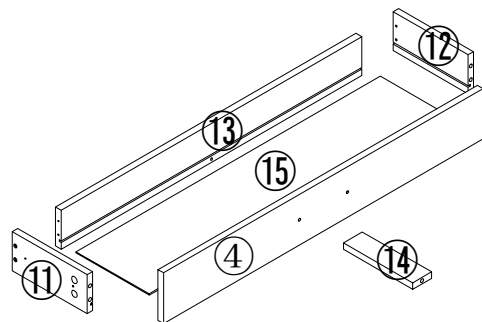
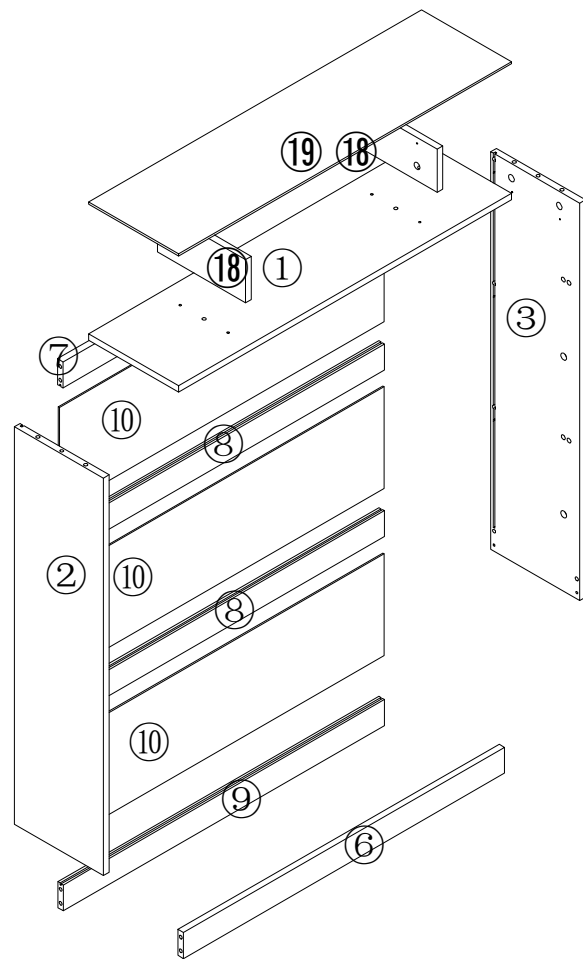
Step 4

Turn the female camlock clockwise with a screwdriver.

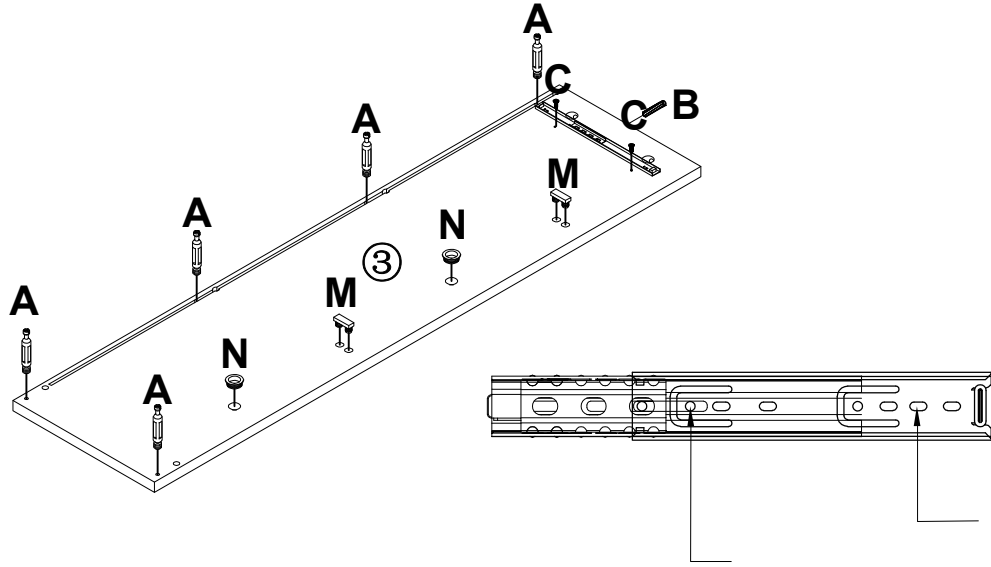
You should feel a click when the camlock is locked in place.

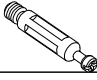


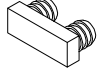


The joint is now secure.

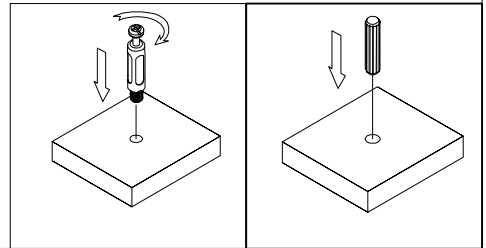




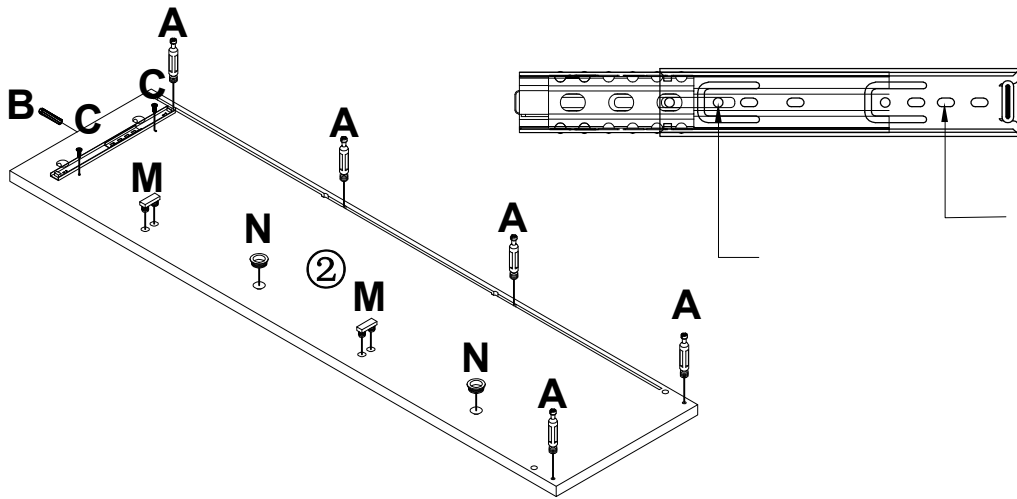
STEP1

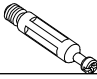


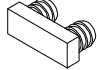




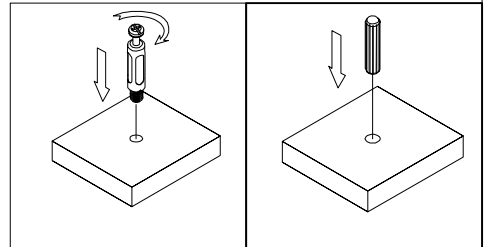
	Ax5PCS		Bx1PCS
	Cx2PCS		Mx2PCS
	E1x1PCS		Nx2PCS



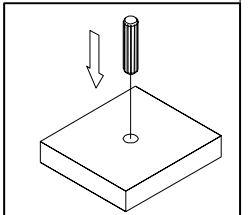
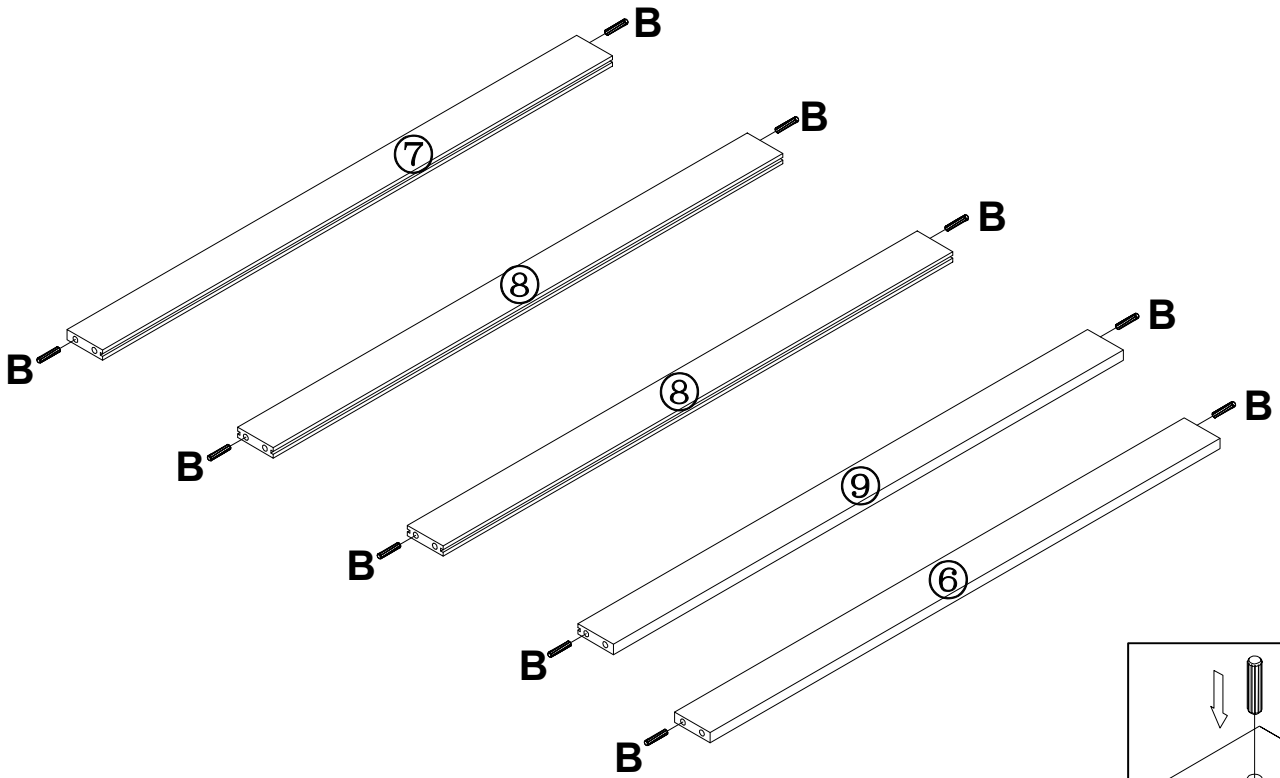
STEP2



	Ax5PCS		Bx1PCS
	Cx2PCS		Mx2PCS
	E1x1PCS		Nx2PCS

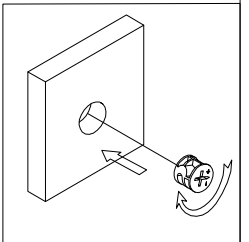
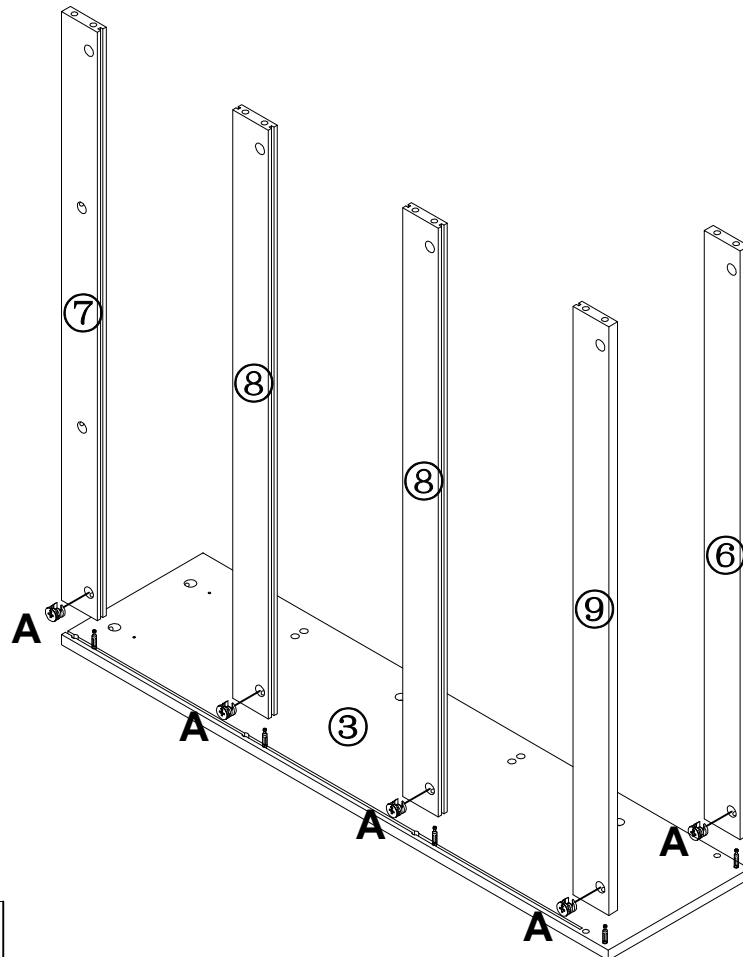


STEP3



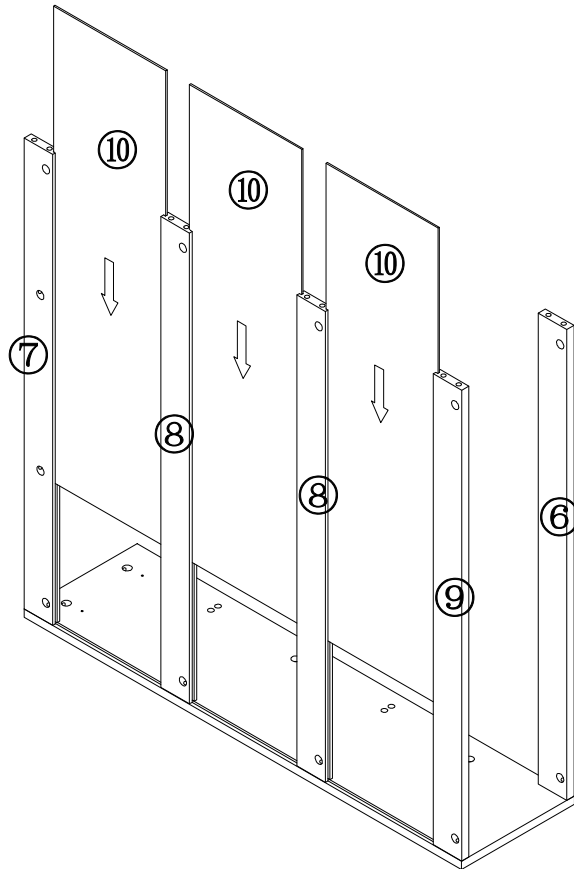
Bx10PCS

STEP4

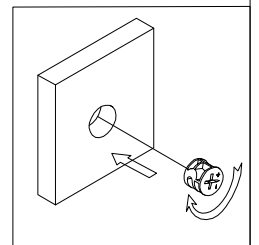
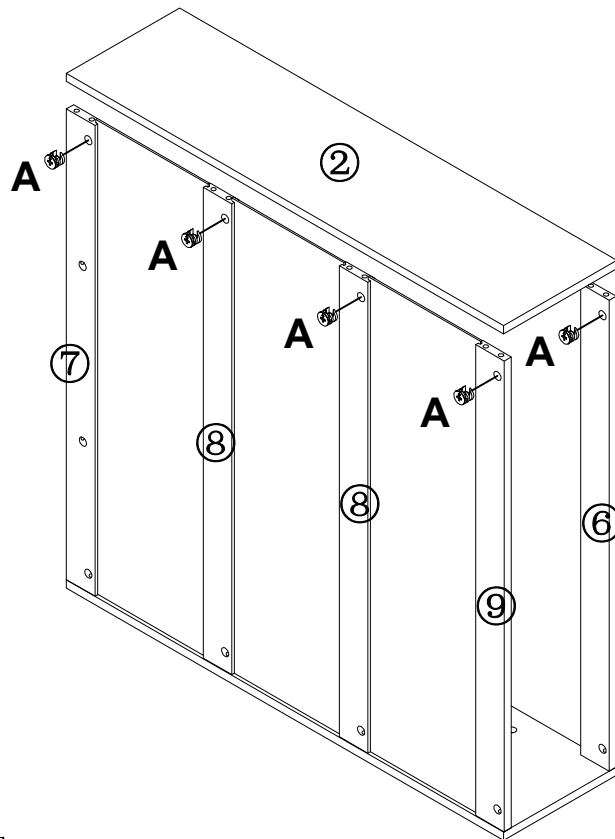


Ax5PCS

STEP5

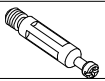
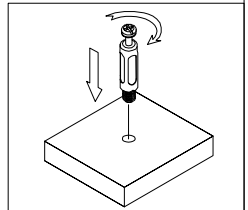
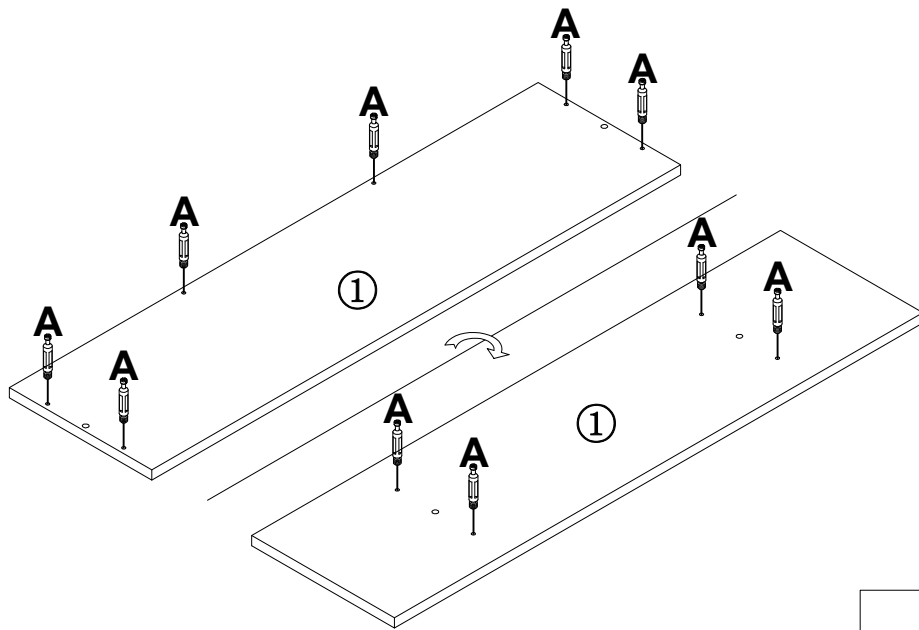


STEP6



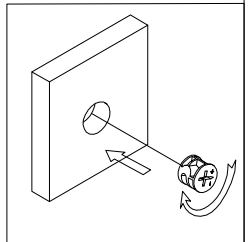
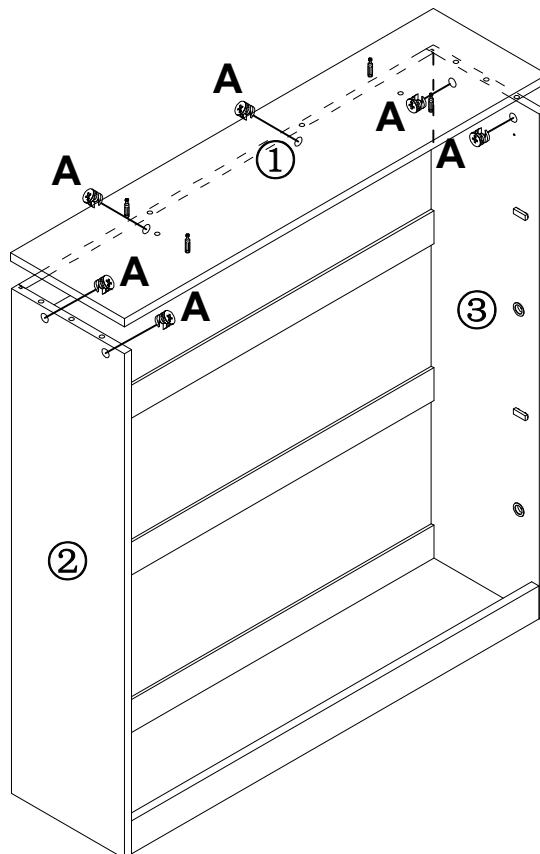
Ax5PCS

STEP7



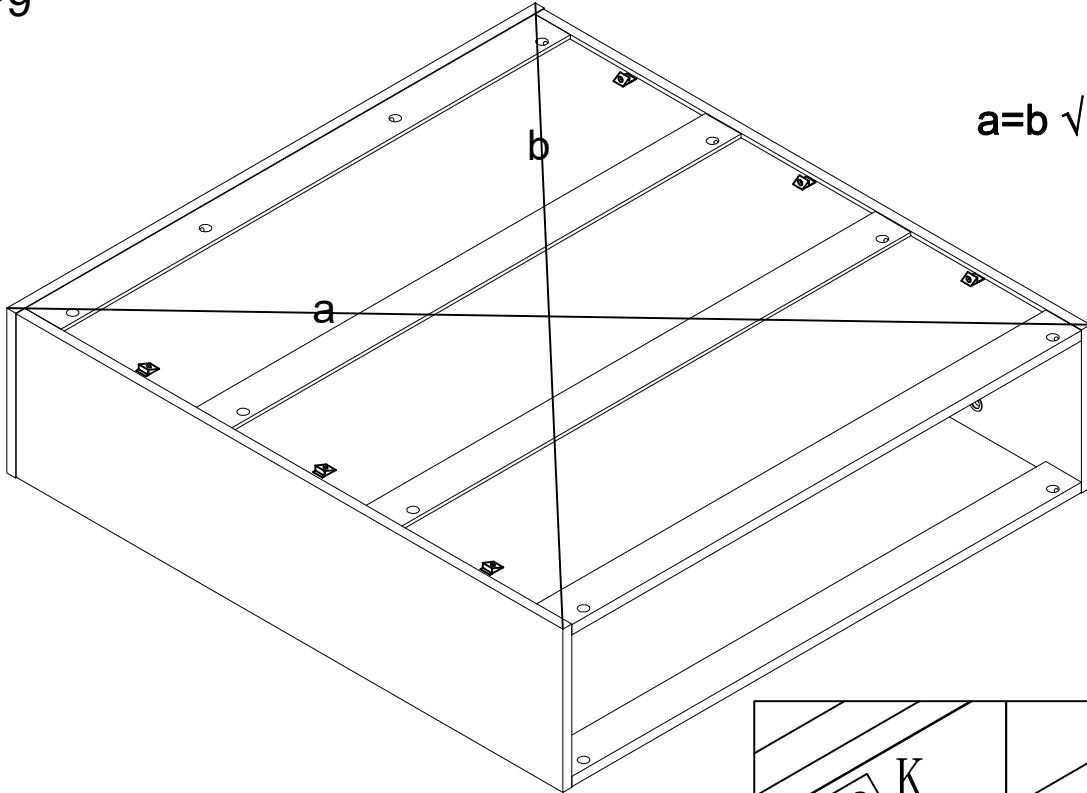
Ax10PCS



STEP8

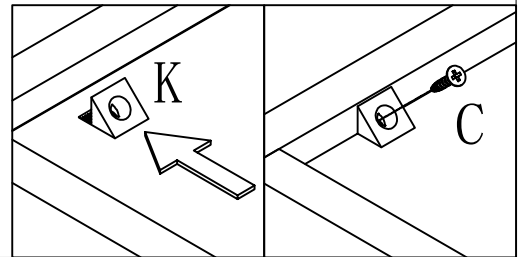


Ax6PCS

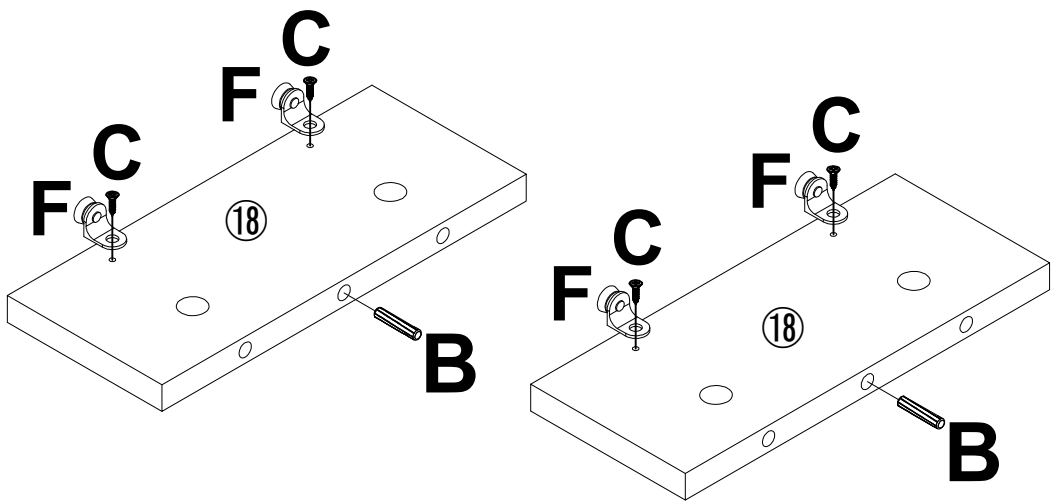
STEP9






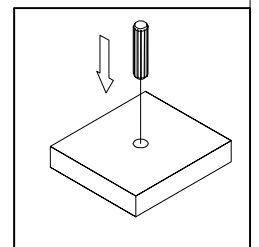
	Cx6PCS
	Kx6PCS



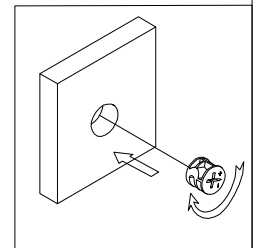
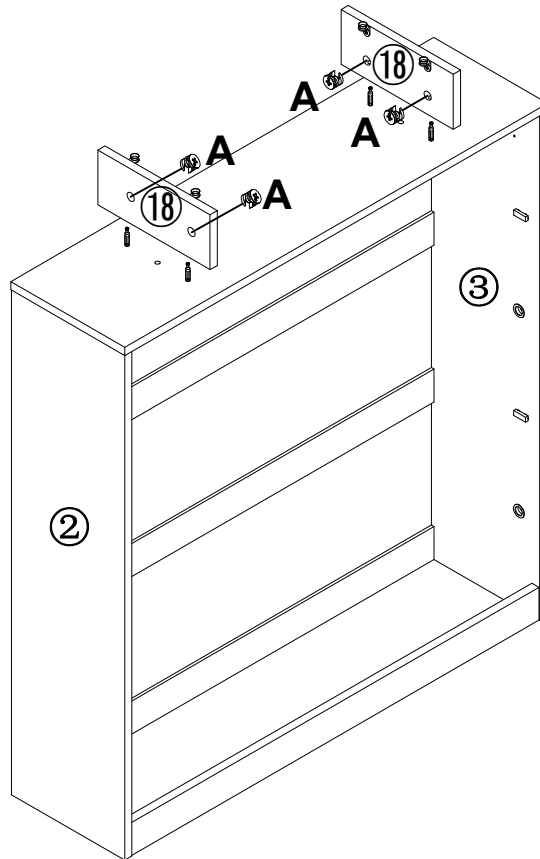
STEP10



	Cx4PCS
	Fx4PCS
	Bx2PCS

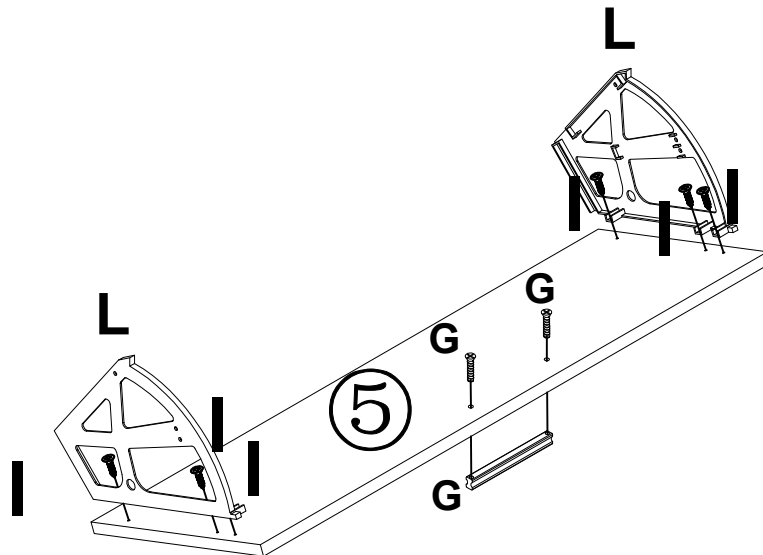


STEP11






	Ax4PCS
---	--------

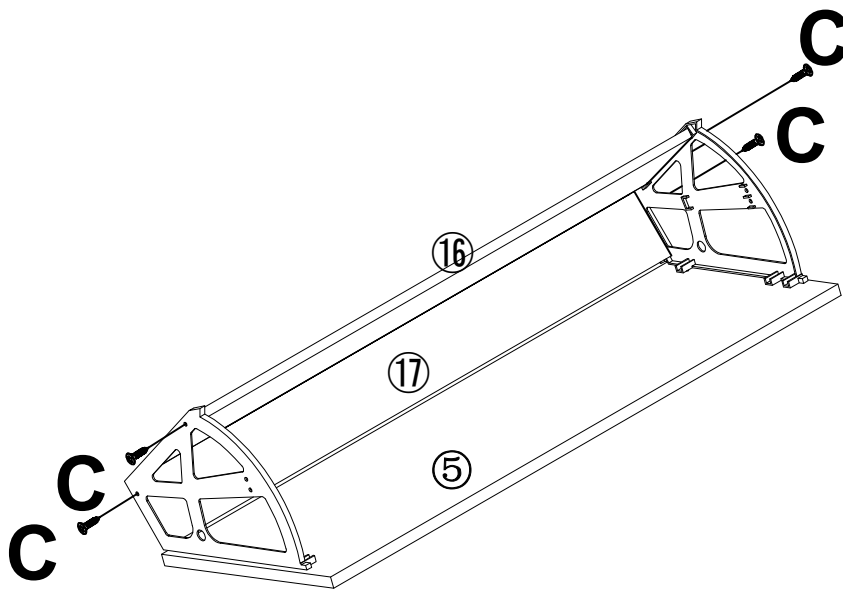
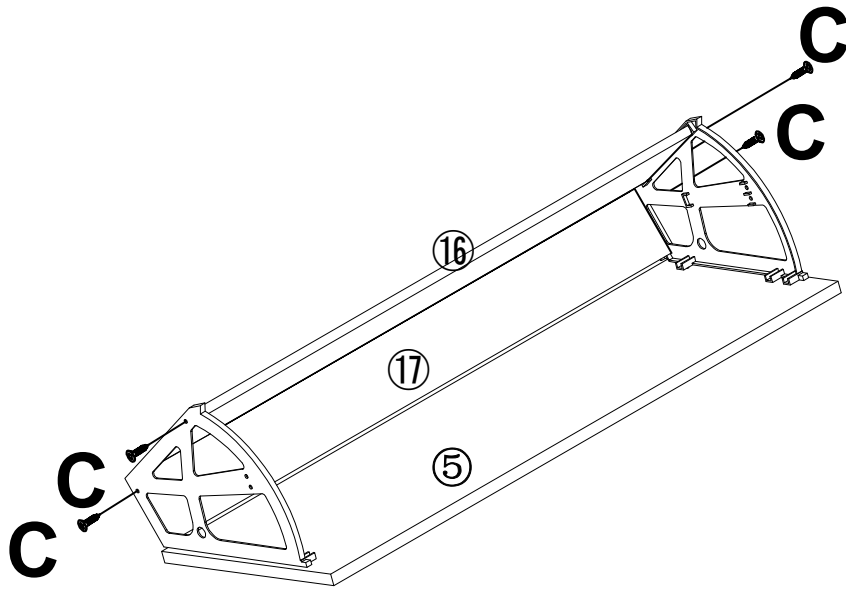
STEP12



X2

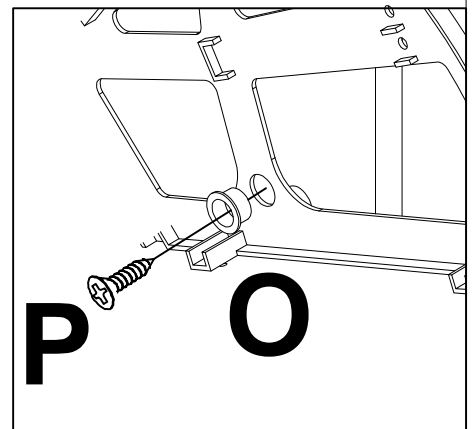
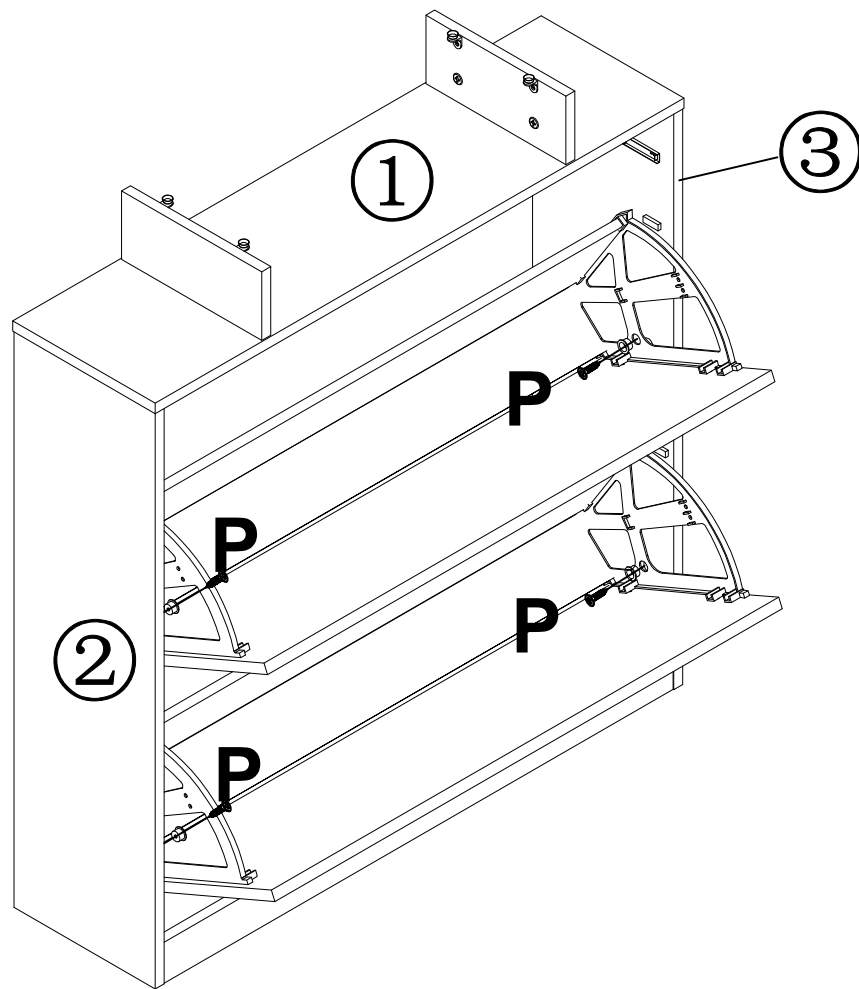
	Ix12PCS
	Lx2PCS
	Gx2PCS



STEP13



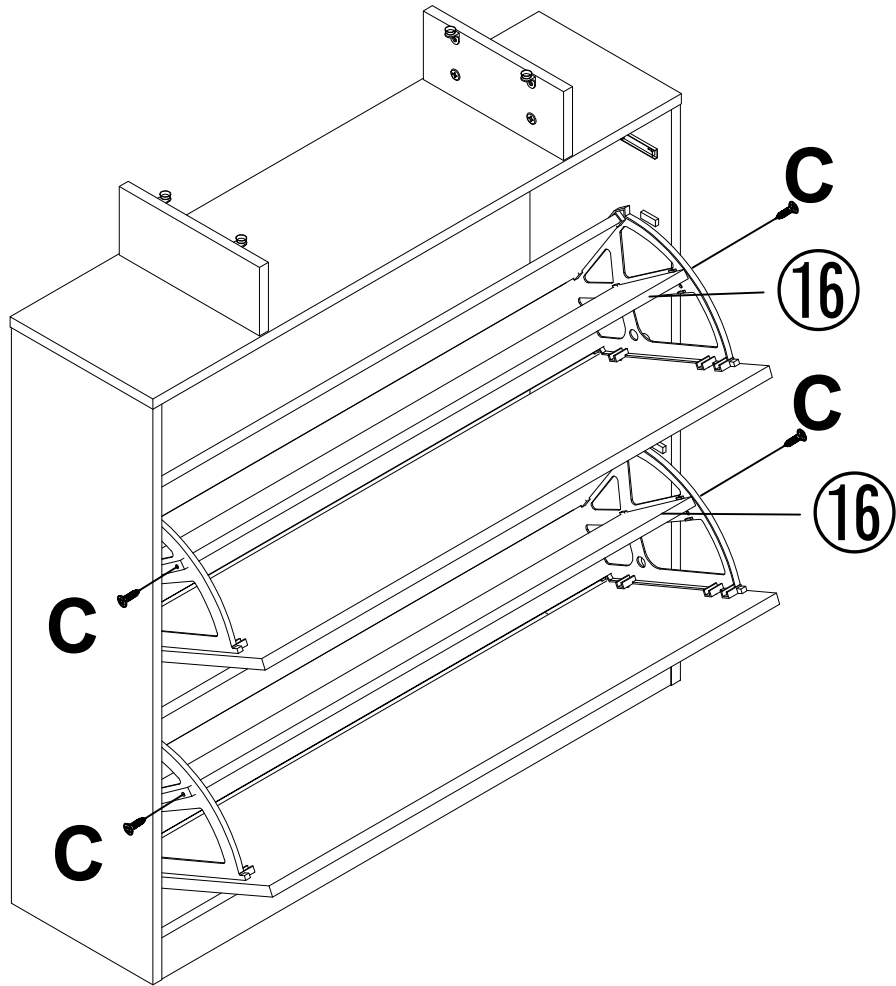
Cx8PCS

STEP14



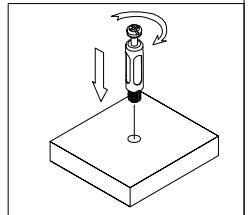
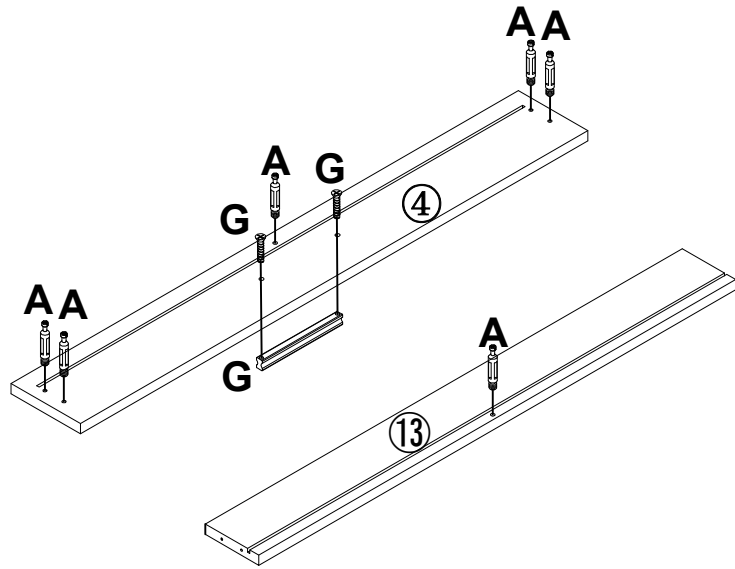
	Ox4PCS
	Px4PCS

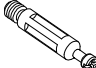

STEP15



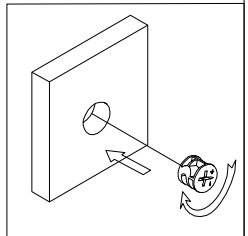
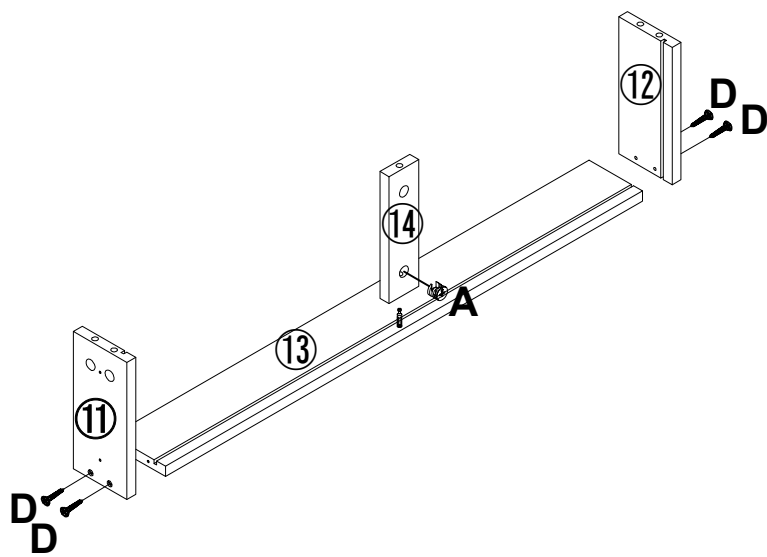
Cx4PCS



STEP16



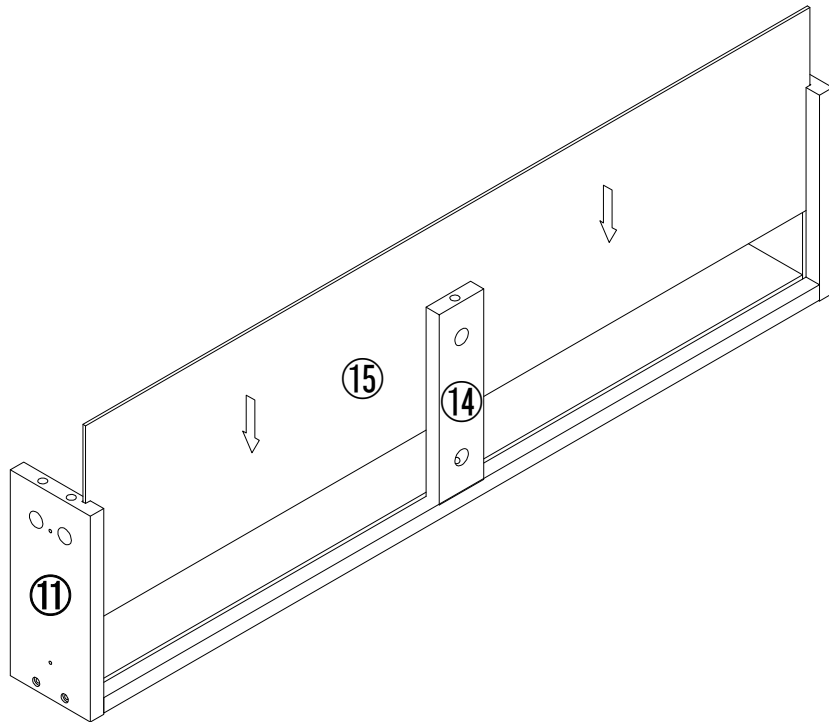
	Ax6PCS
	Gx1PCS

STEP17

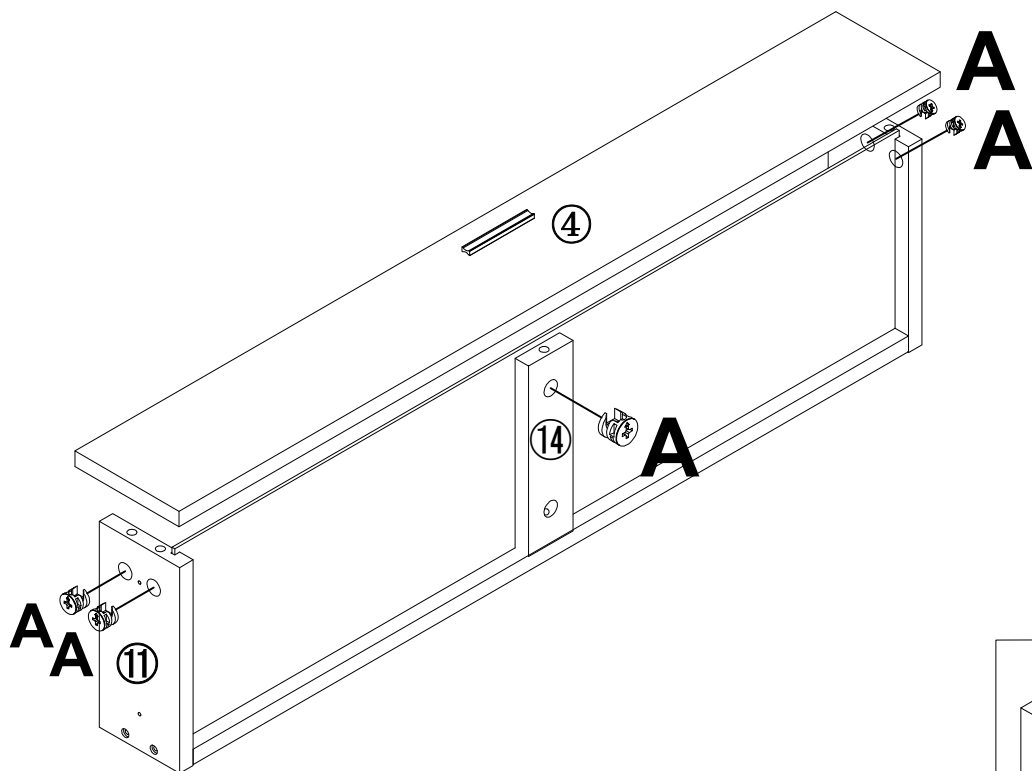


	Ax1PCS
	Dx4PCS

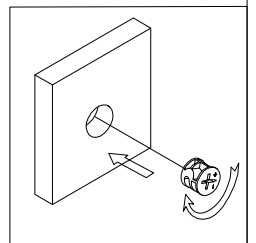
STEP18



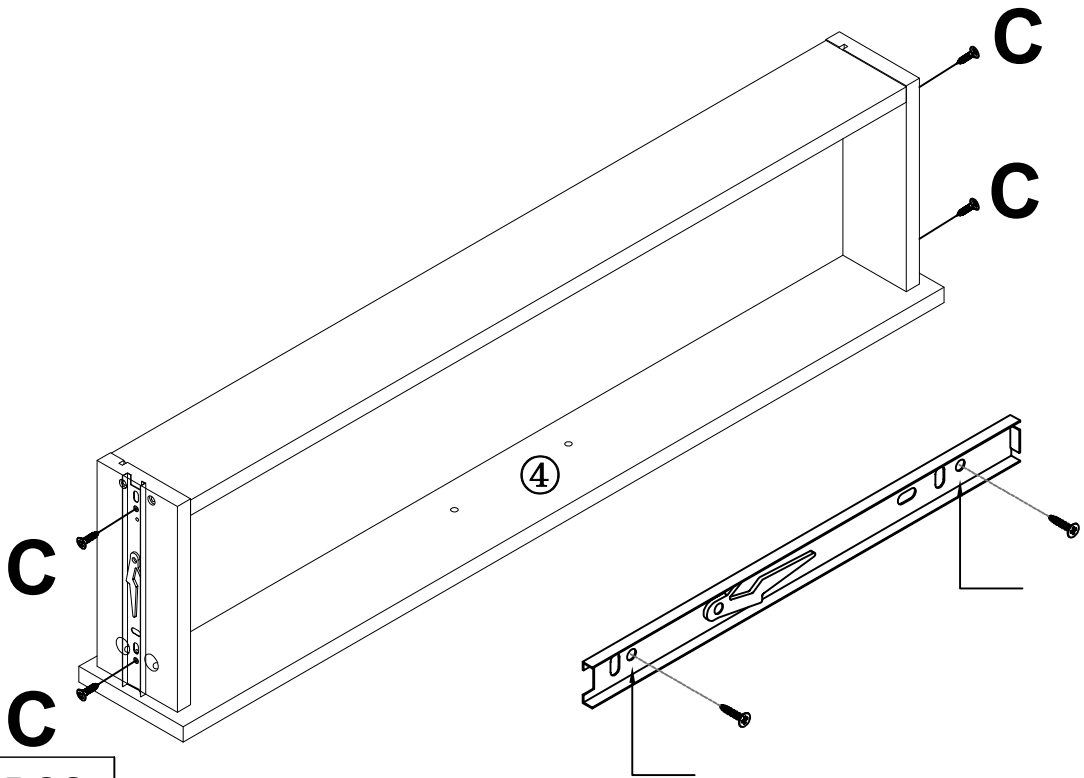
STEP19





Ax5PCS

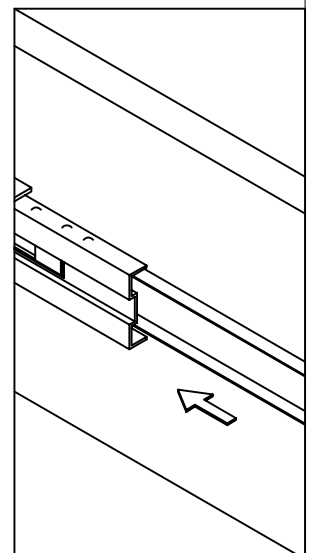
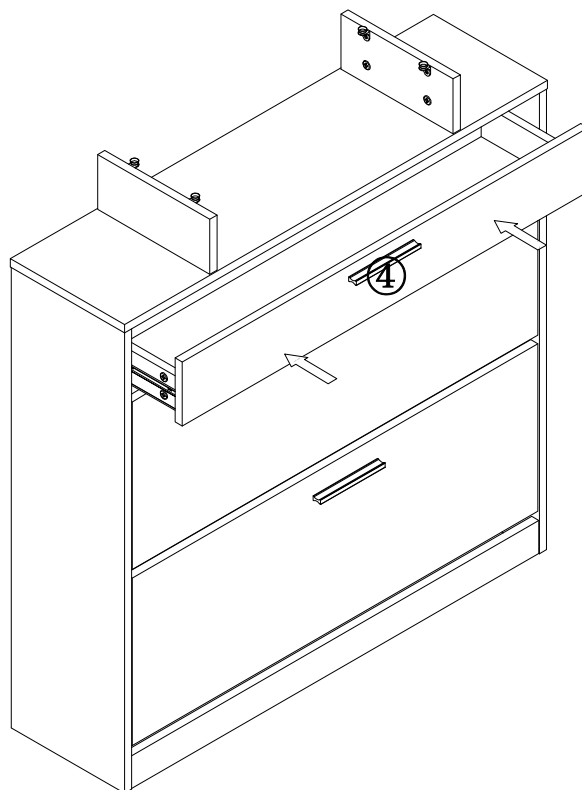


STEP20

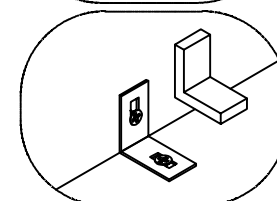
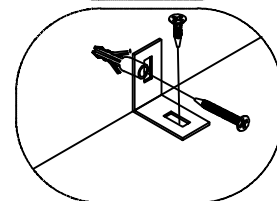
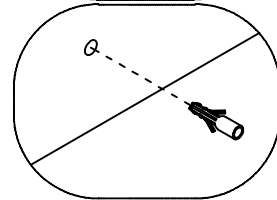
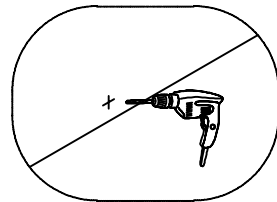
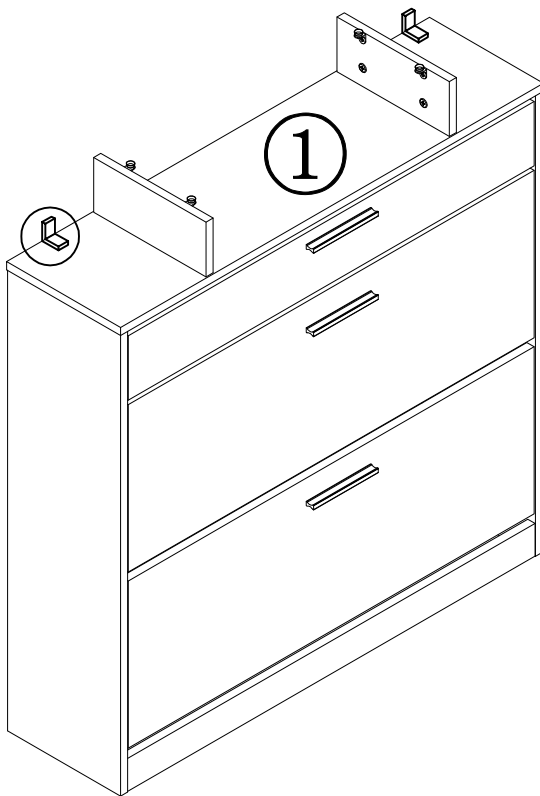


	Cx4PCS
	E2x2PCS

STEP21

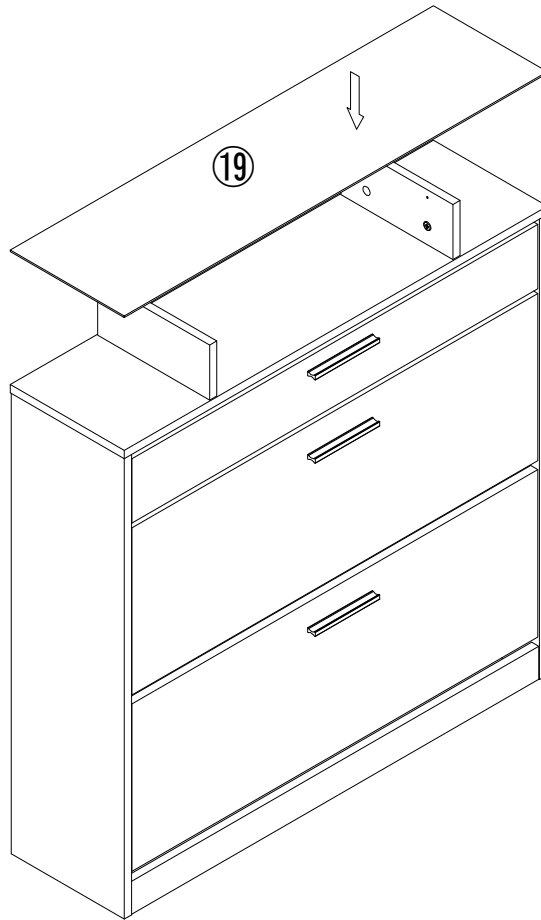


STEP22



Hx2PCS

STEP23



STEP24

