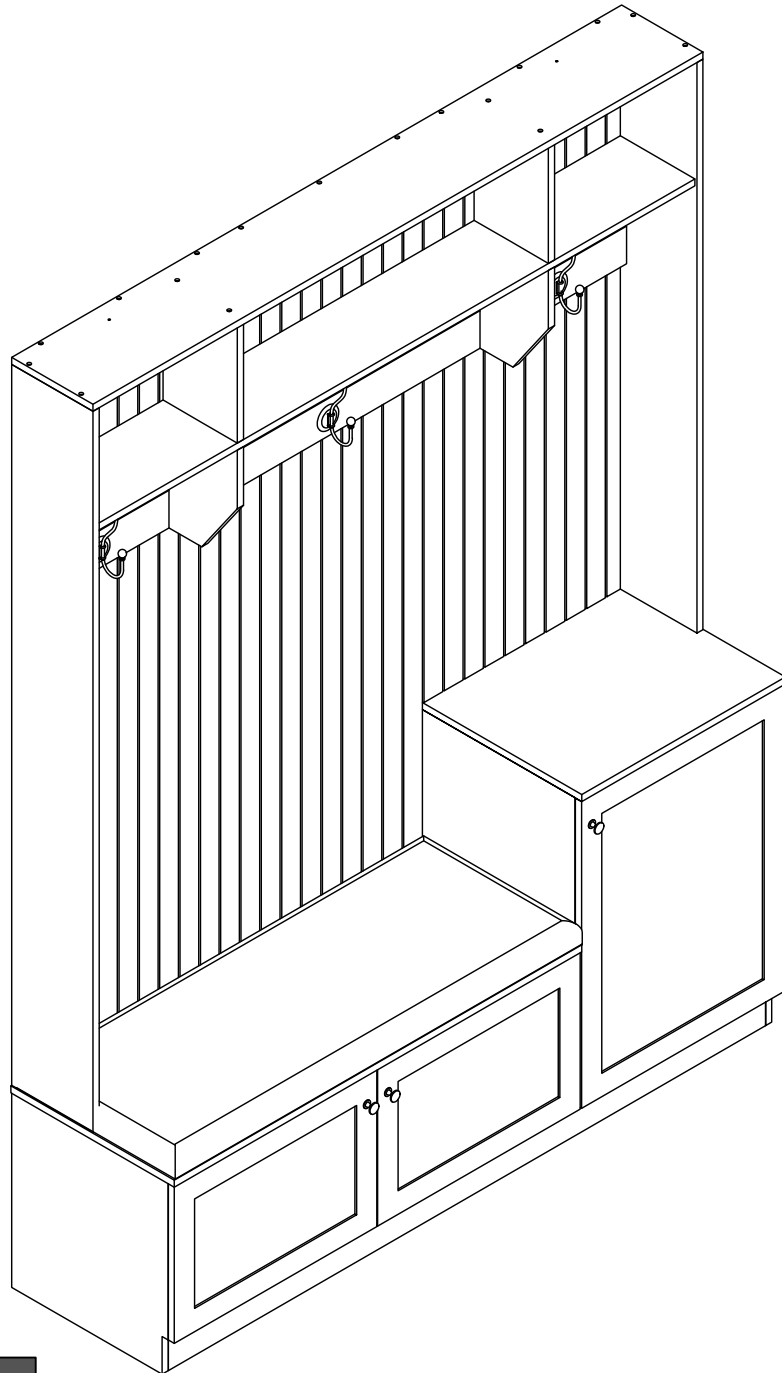


ASSEMBLY INSRTRUCTION

Hall Tree



Dimensions

Width-59.05inch

Depth-15.74inch

Height-77.95inch



Safety and Care Advice

Important – Please read these instructions fully before starting assembly

- Check you have all the components and tools listed on the following pages.
- Remove all fittings from the plastic bags and separate them into their groups.
- Keep children and animals away from the work area, small parts could choke if swallowed.
- Make sure you have enough space to layout the parts before starting.

- During assembly do not stand or put weight on the product, this could cause damage.
- Assemble the item as close to its final position (in the same room) as possible.
- Assemble on a soft level surface to avoid damaging the unit or your floor.
- Parts of the assembly will be easier with 2 people.



- To reduce the likelihood of damaging your product please ensure that your power drill is set on a low torque setting.

Care and maintenance

- Only clean using a damp cloth and mild detergent, do not use bleach or abrasive cleaners.
- From time to time check that there are no loose screws on this unit.
- This product should not be discarded with household waste. Take to your local authority waste disposal centre.

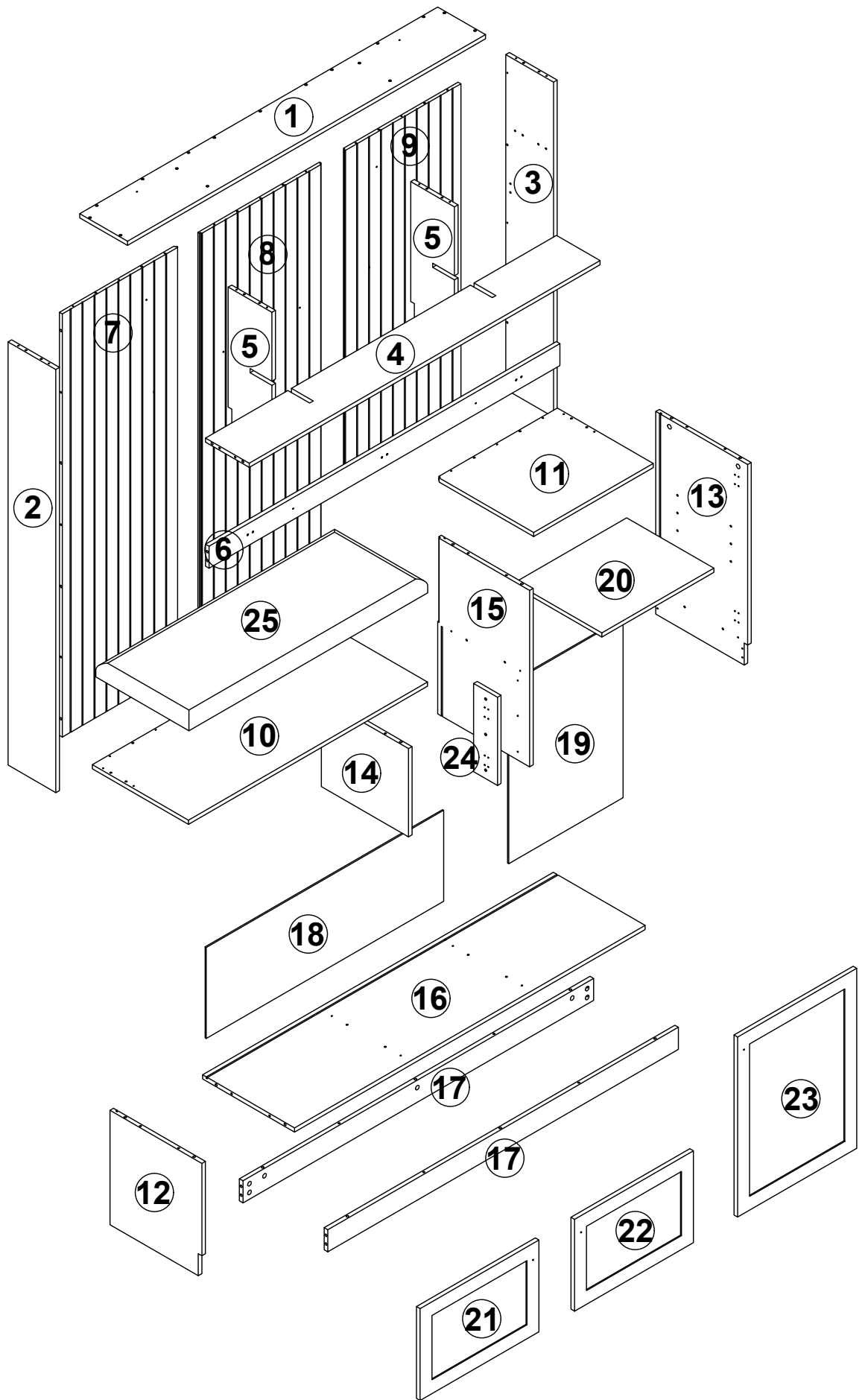
Handy Hints

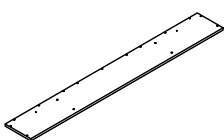
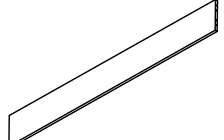
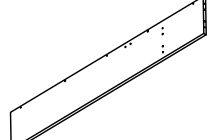
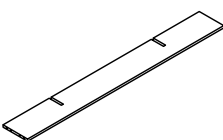
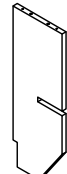
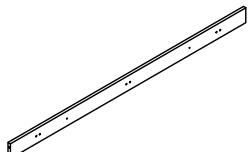
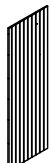
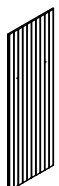
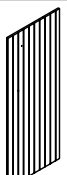
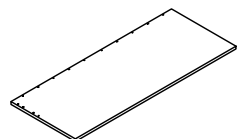
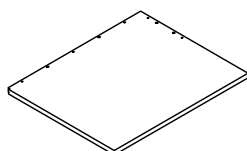
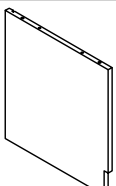

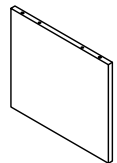
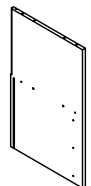
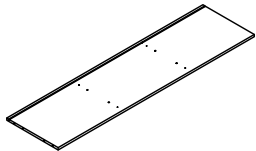
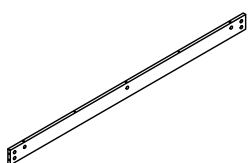
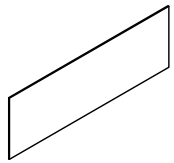
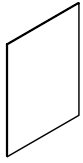
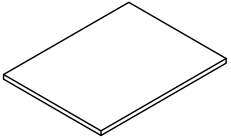
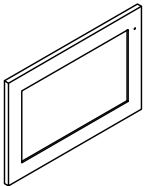
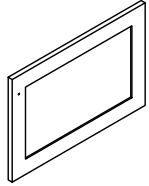
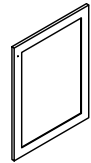

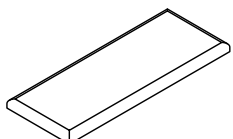
- Assemble all parts and bolts loosely during assembly, only once the product is complete should you fully tighten the bolts
- Regularly check and ensure That all bolts and fittings are tightend properly.

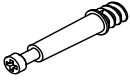

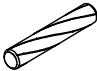
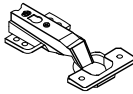
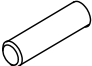
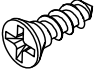
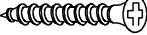
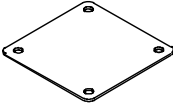


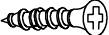

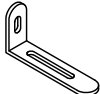

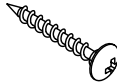


WARNING In order to help prevent overturning – please follow these instructions

To help prevent product toppling over please follow the below steps:-

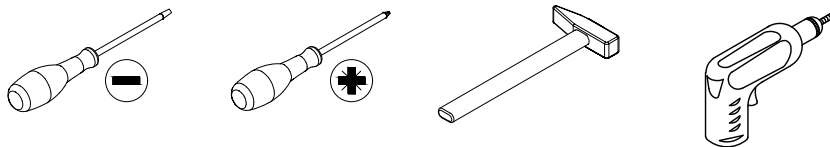
- Use the anti tip stap or wall fixing method provided (if applicable)
- Do not allow children to climb or hang on the furniture
- Do not open more than one drawer at a time
- Do not place heavy items in the top drawers
- Do not place heavy items on top of the furniture, unless the furniture has been designed for this purpose



| | | | |
|---|---|--|---|
|  |  |  |  |
| ① x 1 | ② x 1 | ③ x 1 | ④ x 1 |
|  |  |  |  |
| ⑤ x 2 | ⑥ x 1 | ⑦ x 1 | ⑧ x 1 |
|  |  |  |  |
| ⑨ x 1 | ⑩ x 1 | ⑪ x 1 | ⑫ x 1 |
|  |  |  |  |
| ⑬ x 1 | ⑭ x 1 | ⑮ x 1 | ⑯ x 1 |
|  |  |  |  |
| ⑰ x 2 | ⑱ x 1 | ⑲ x 1 | ⑳ x 1 |
|  |  |  |  |
| ㉑ x 1 | ㉒ x 1 | ㉓ x 1 | ㉔ x 1 |
|  | | | |
| ㉕ x 1 | | | |

| | | | | | |
|--|---|--|--|---|--|
|  Φ6x35mm A x 43+2 |  Φ15x12mm B x 43+2 |  Φ6x30mm C x 55+2 |  D x 6 |  Φ5x25mm E x 4+1 |  Φ4x14mm F x 36+2 |
|  Φ4x40mm G x 38+2 |  H x 4 |  Φ4x18mm I x 3 |  J x 3 |  Φ4x25mm K x 3+1 |  Φ4x12mm L x 18+2 |
|  M x 2 |  Φ6x30mm N x 2 |  Φ4x20mm O x 6+1 |  P x 3 |  Φ4x10mm Q x 6+1 | |

Tools required



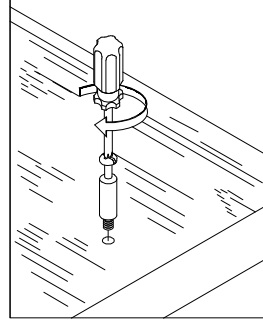
Using Camlocks

Step 1

Connect the male camlock as directed in the assembly instructions using a screwdriver.

1

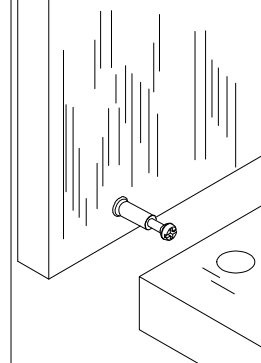
DO NOT OVER TIGHTEN.
NE PAS SERRER EXCESSIVEMENT.



Step 2

Push the male camlock into the entry hole.

2

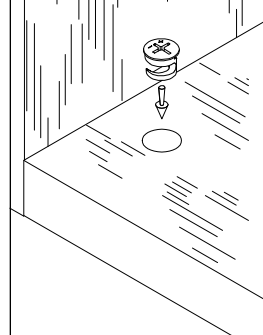


Step 3

Insert the female camlock as shown in the instruction.

Note: ensure that the arrow on the top of the camlock points towards the entry hole for the male camlock.

3



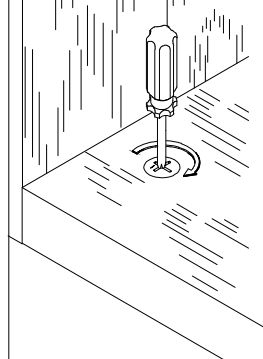
Step 4

Turn the female camlock clockwise with a screwdriver.

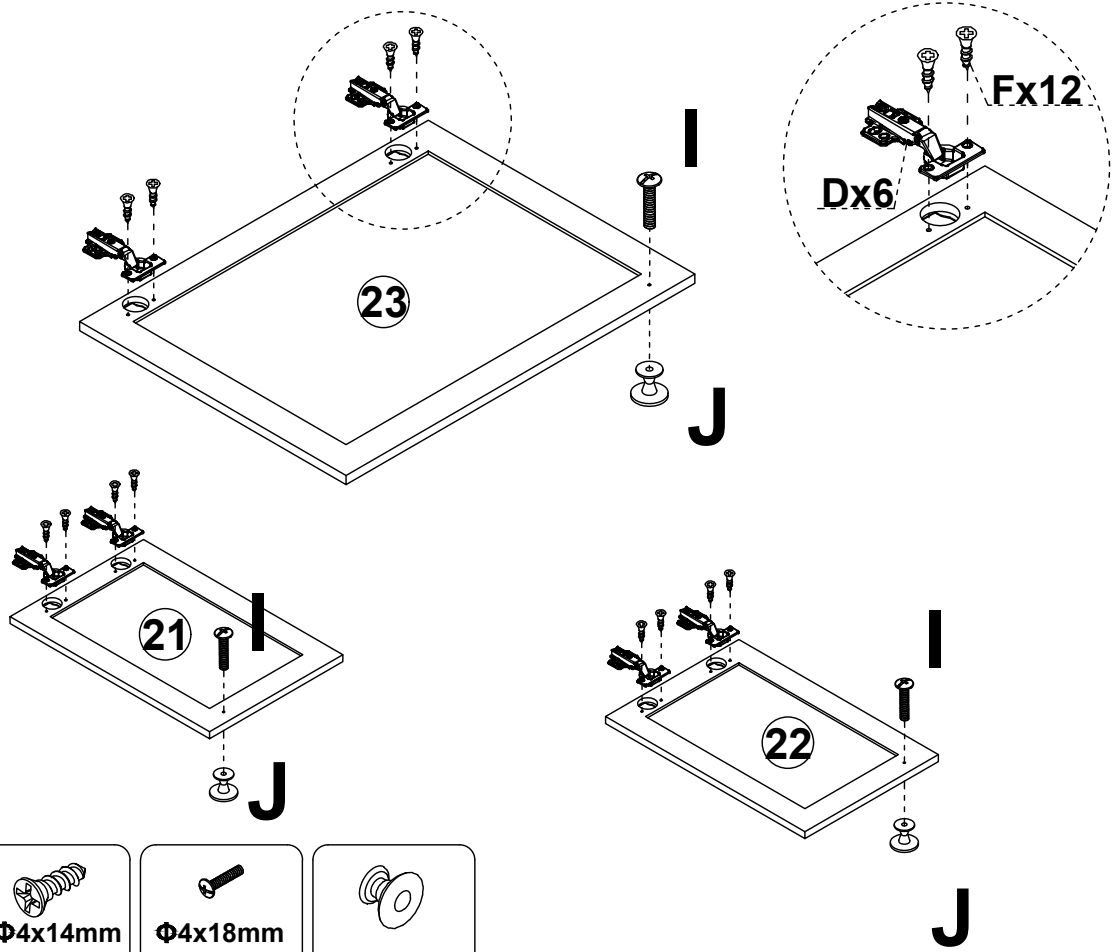
You should feel a click when the camlock is locked in place.

The joint is now secure.

4

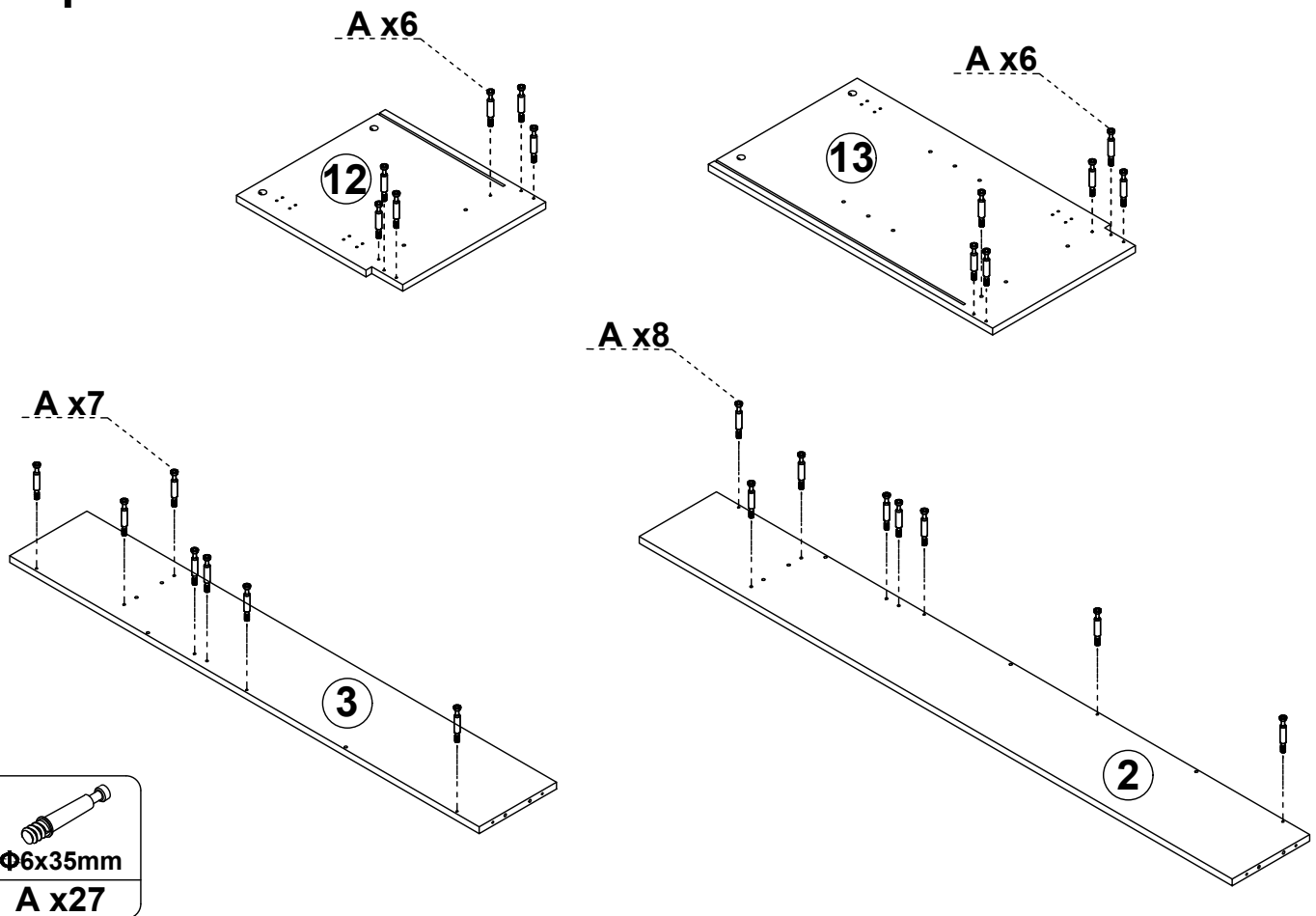


Step 1



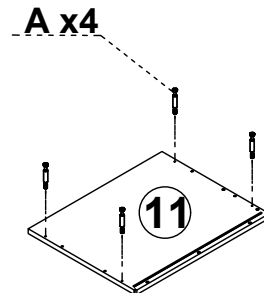
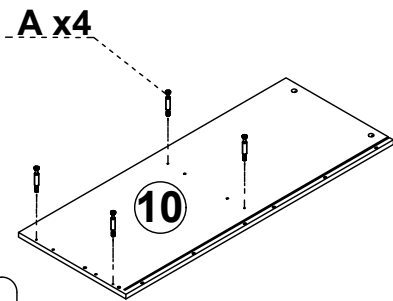
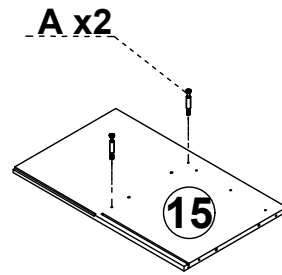
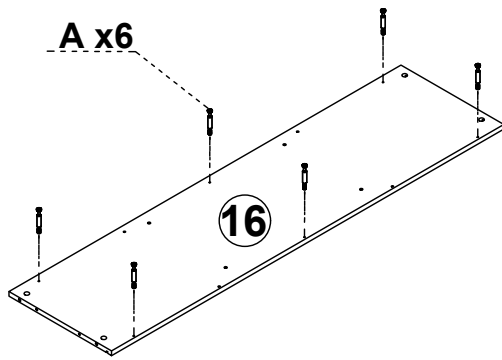
| | | | |
|-------------|--------------|-------------|-------------|
| | | | |
| D x6 | F x12 | I x3 | J x3 |

Step 2

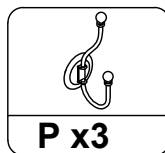
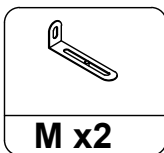
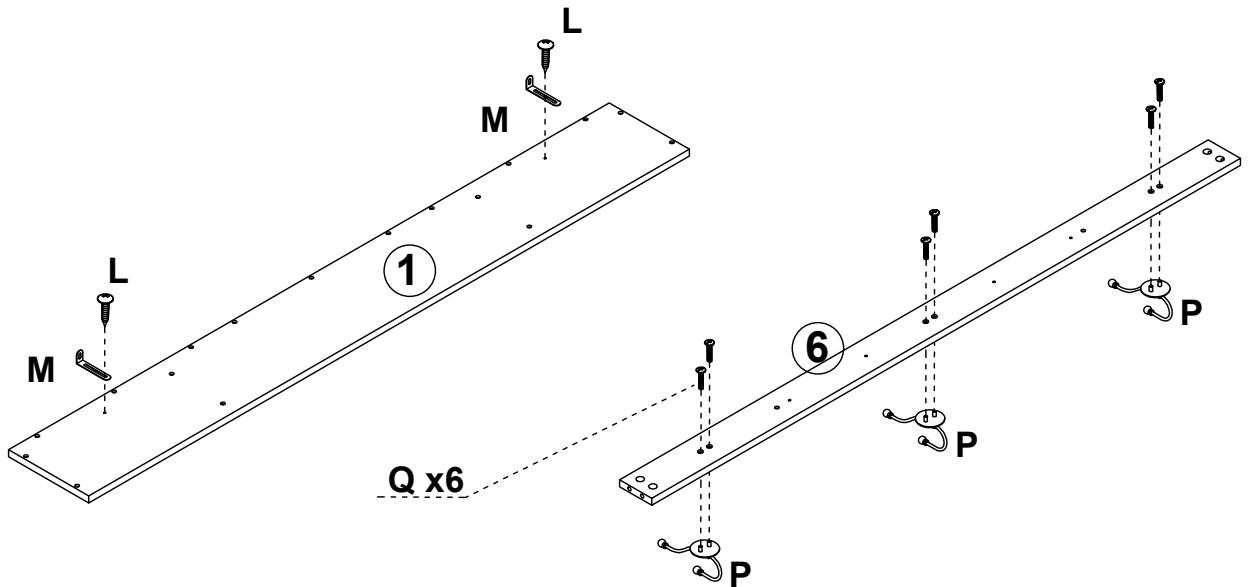


| |
|--------------|
| |
| A x27 |

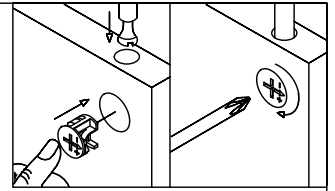
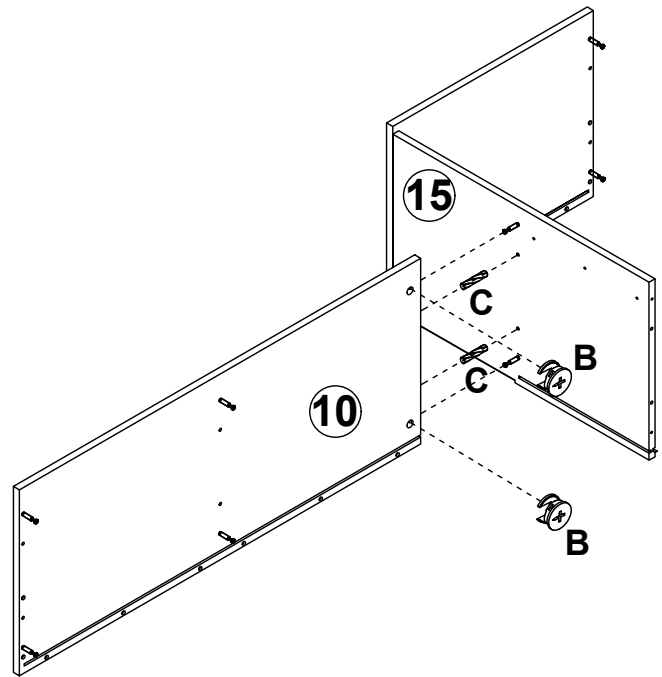
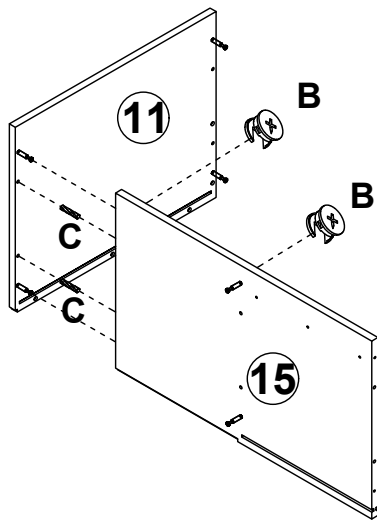
Step 3



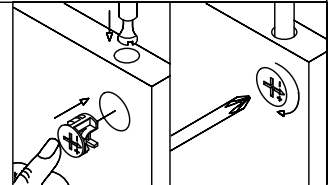
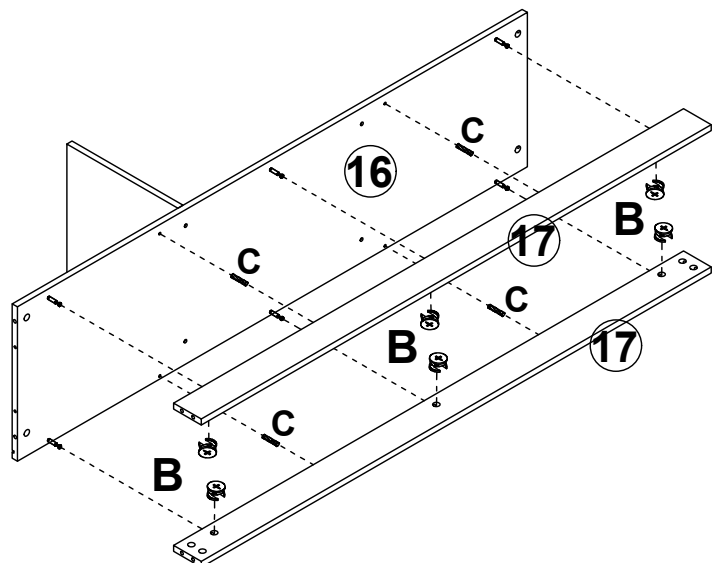
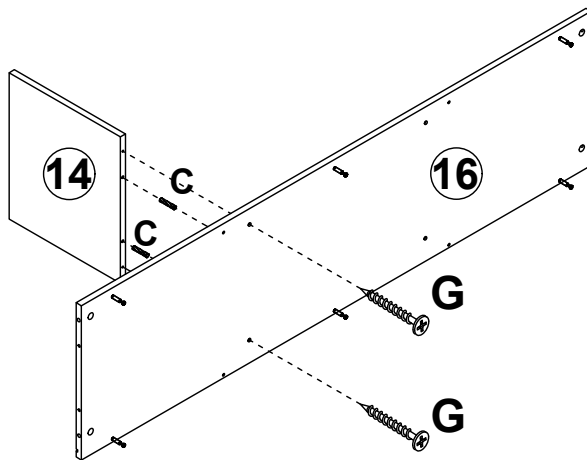
Step 4



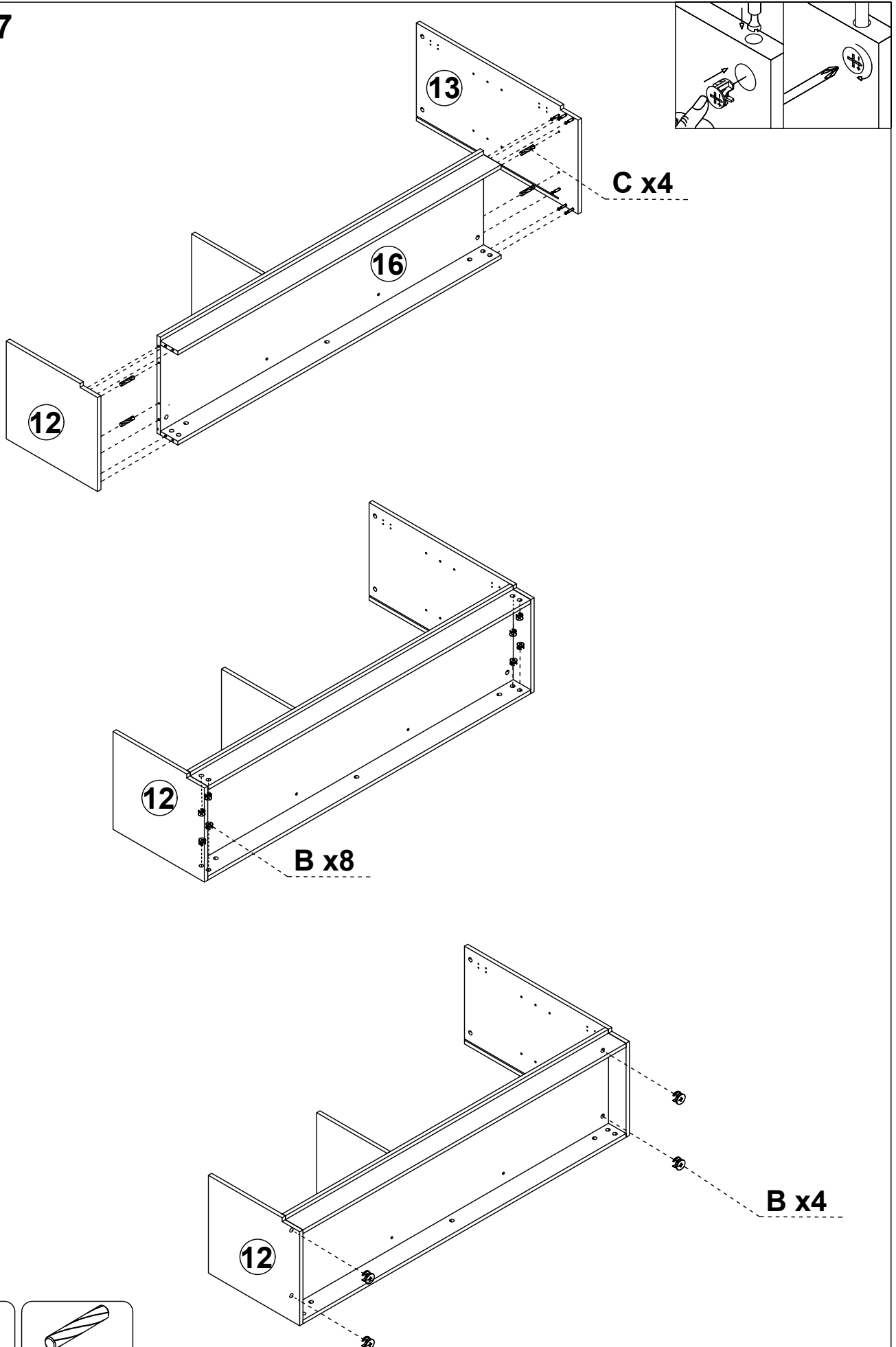
Step 5



Step 6



Step 7



C x 4

B x 8

B x 4

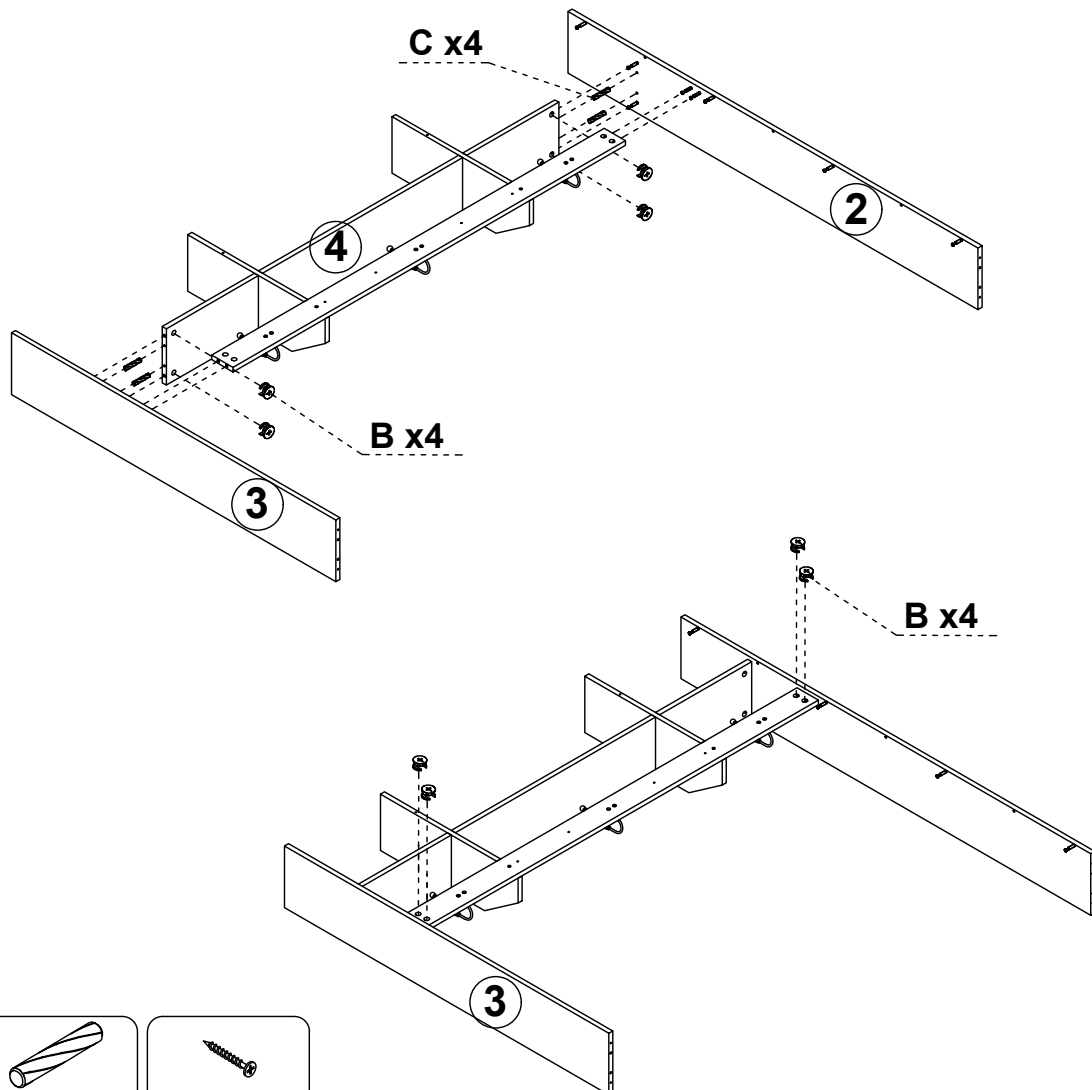
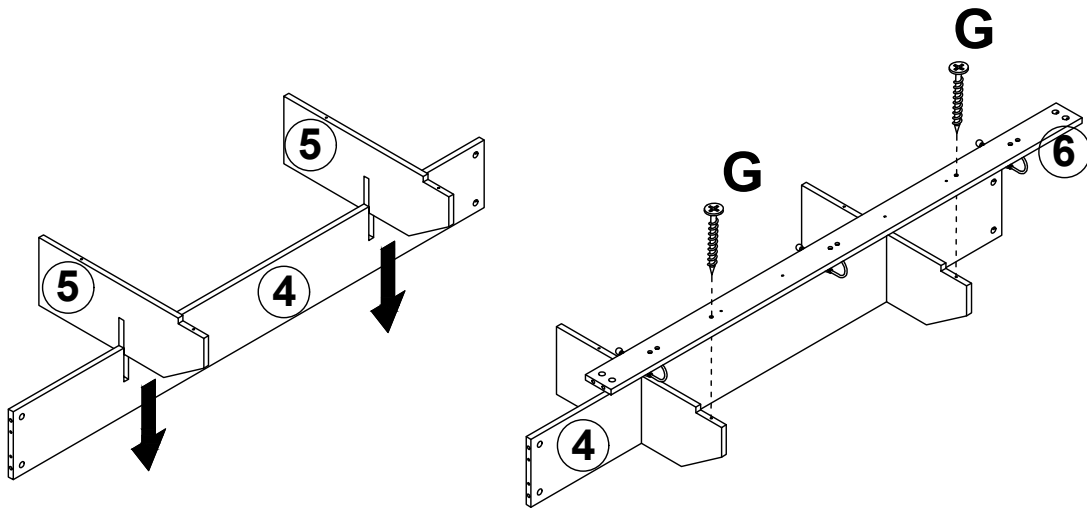
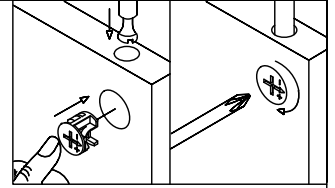


$\Phi 15 \times 12 \text{mm}$
B x 12

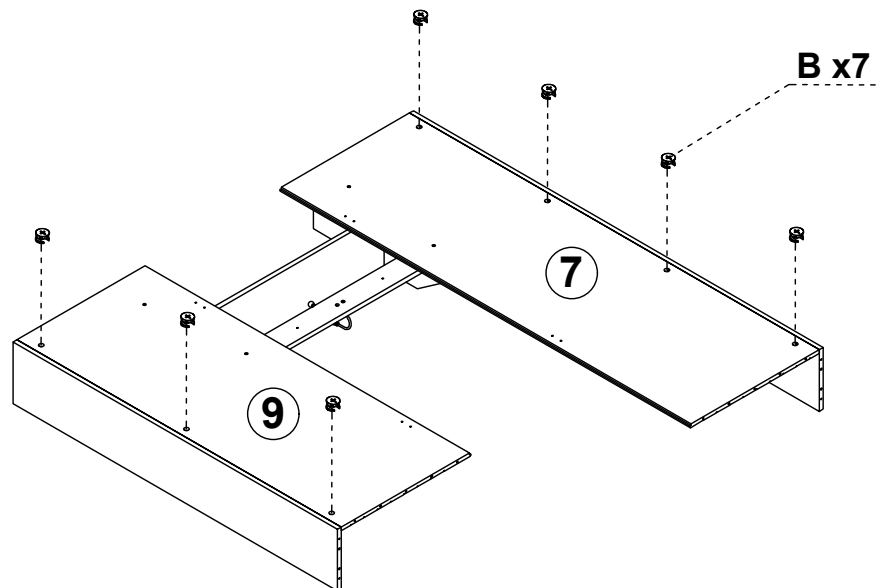
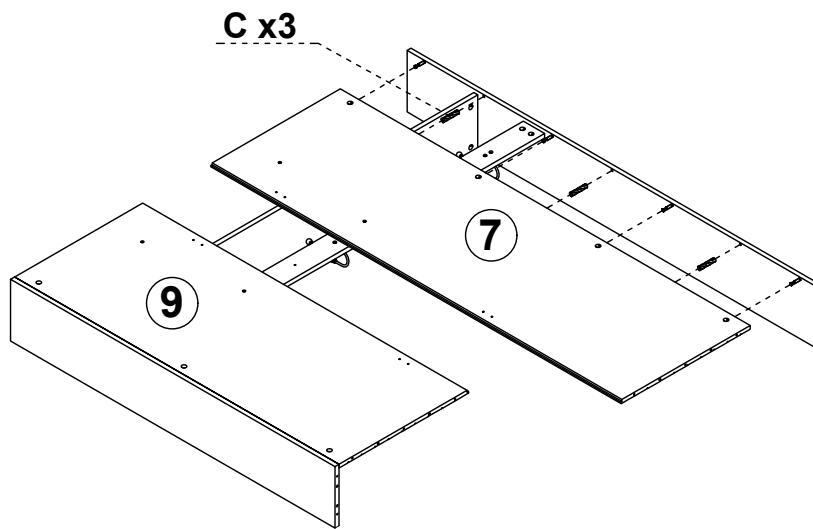
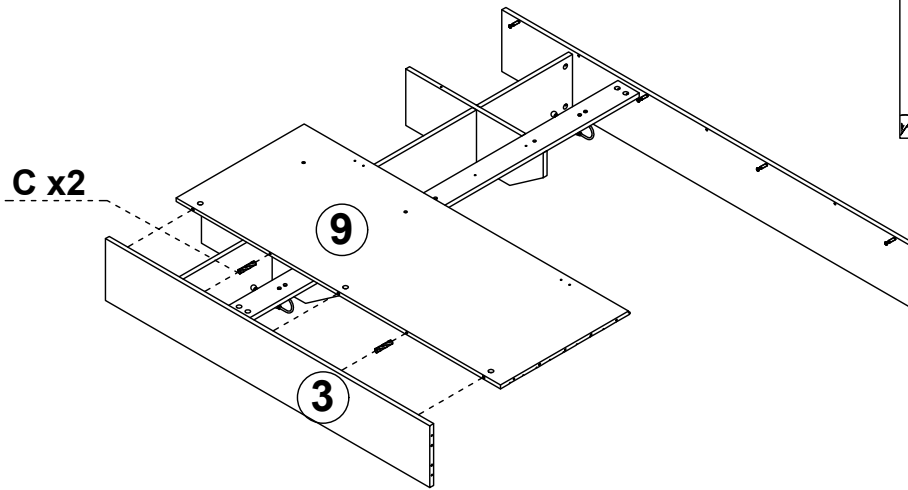
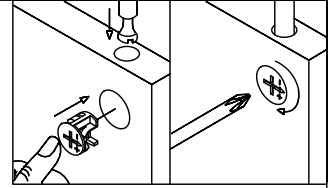


$\Phi 6 \times 30 \text{mm}$
C x 4

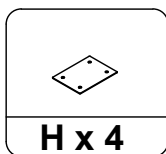
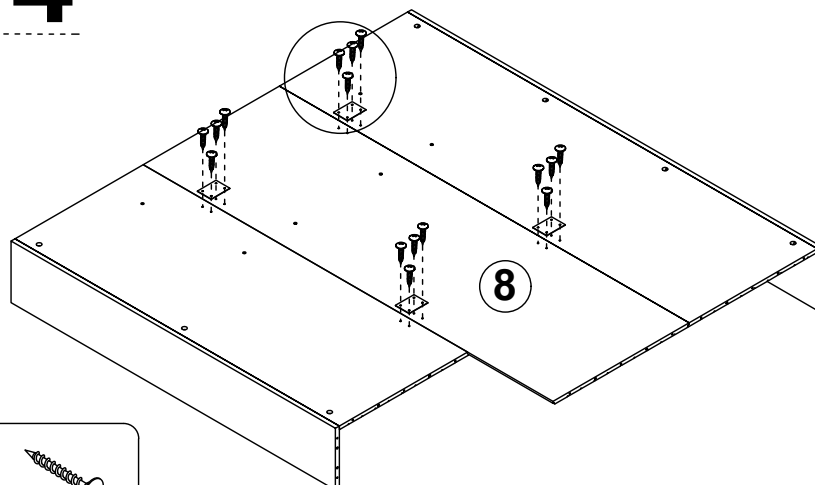
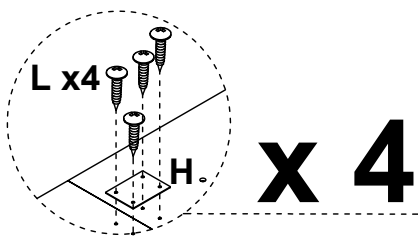
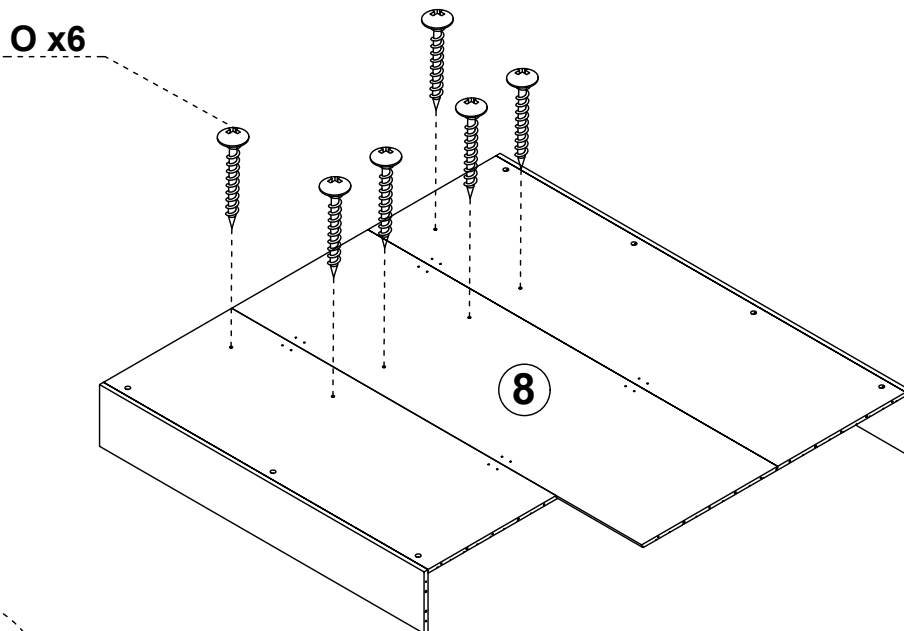
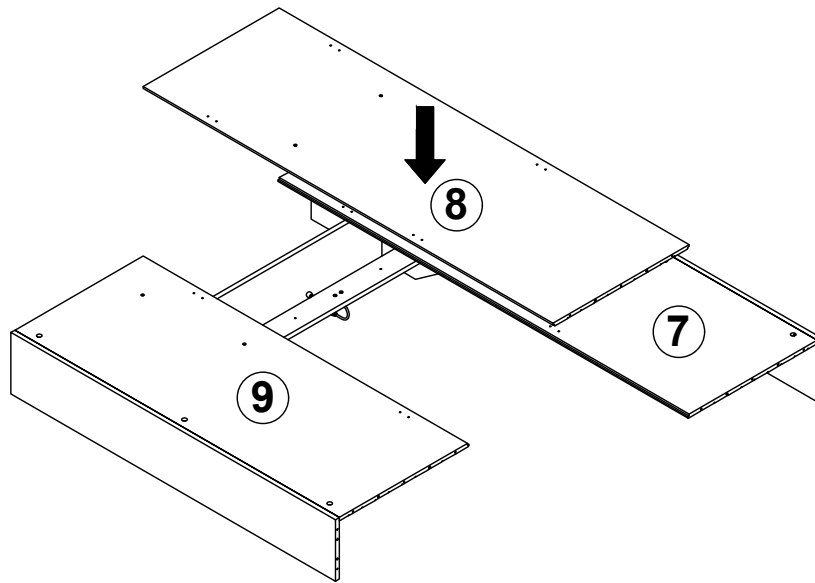
Step 8



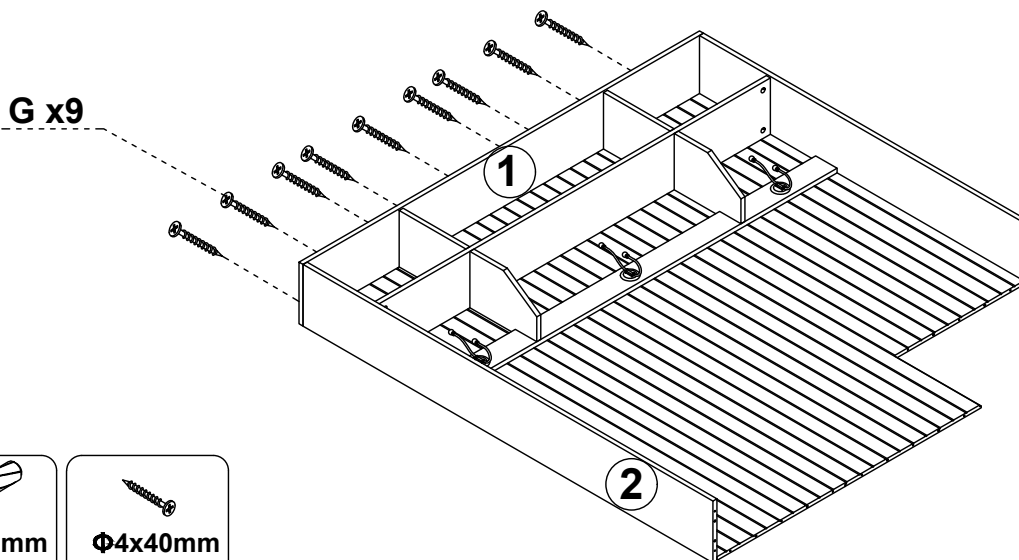
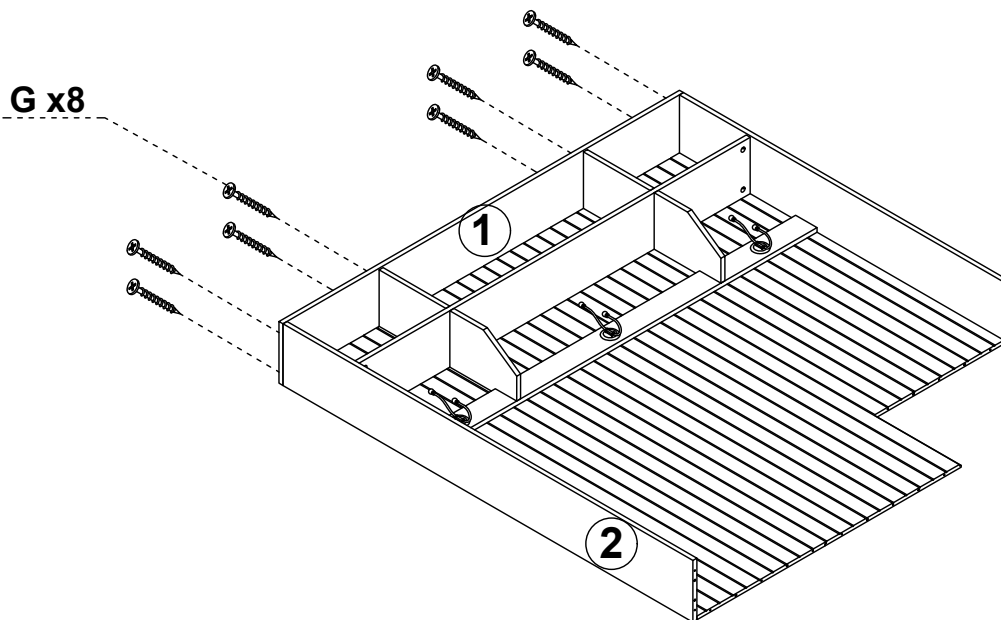
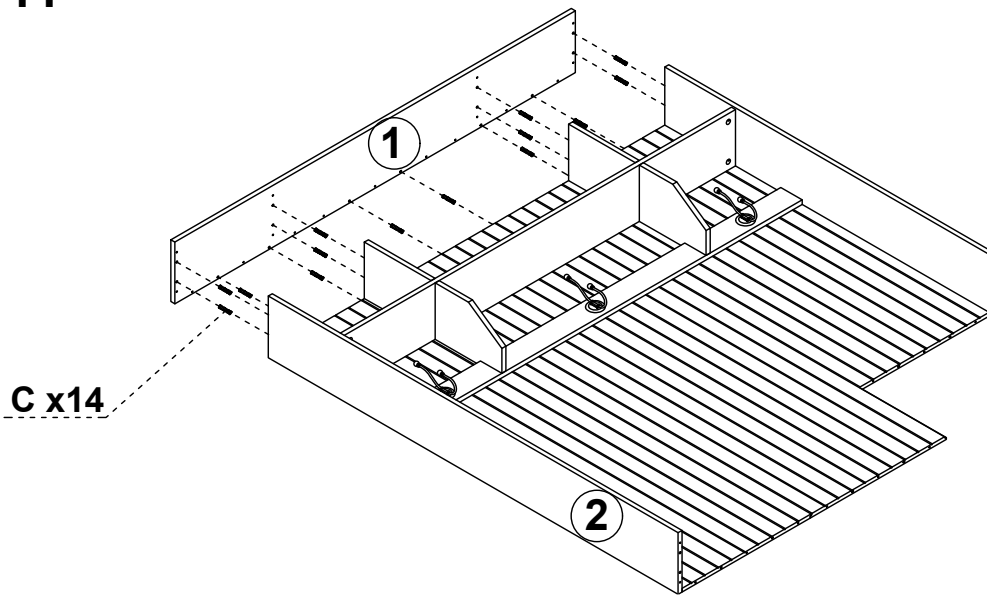
Step 9



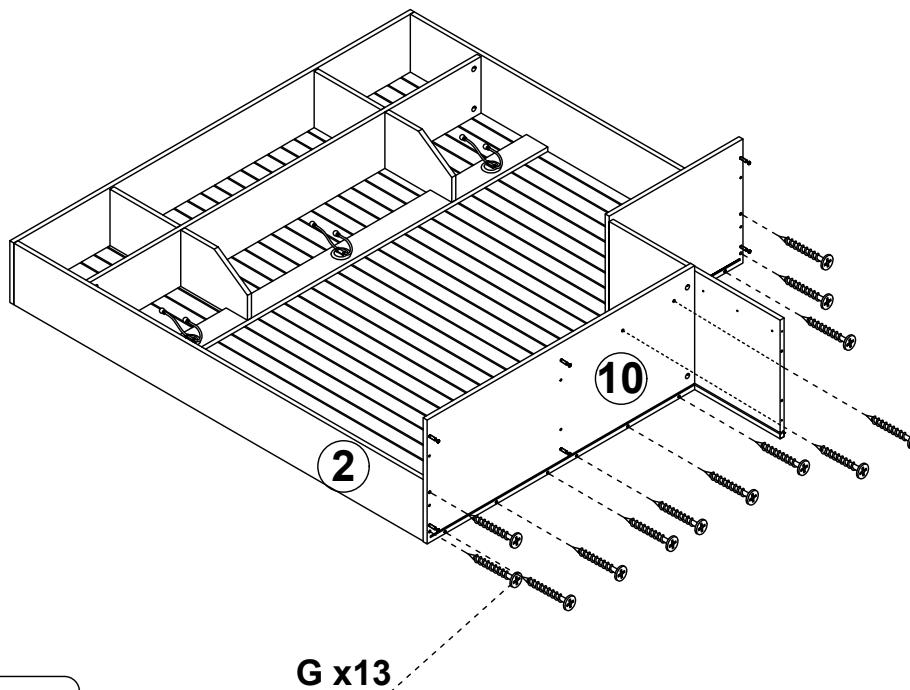
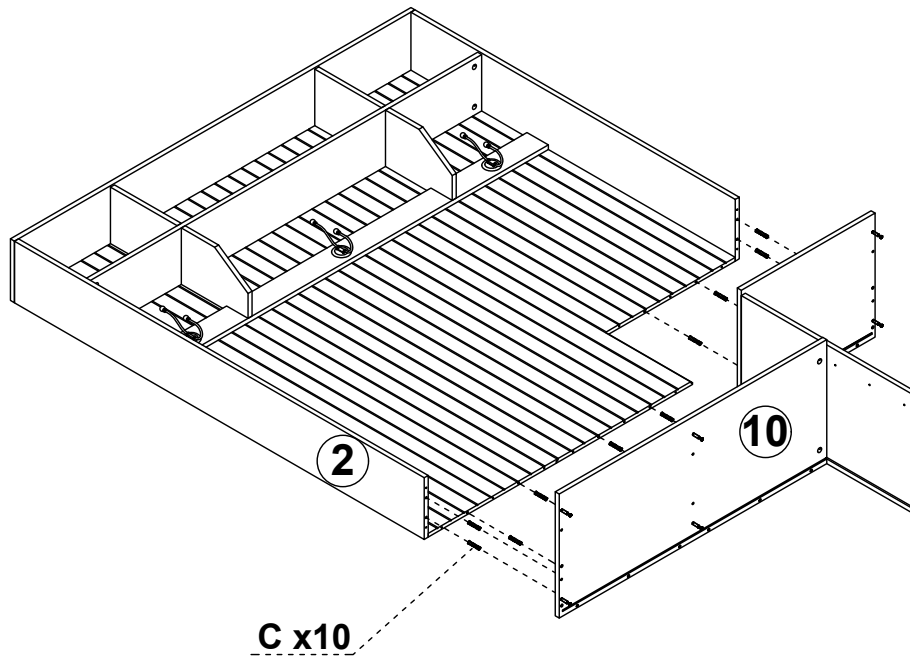
Step 10



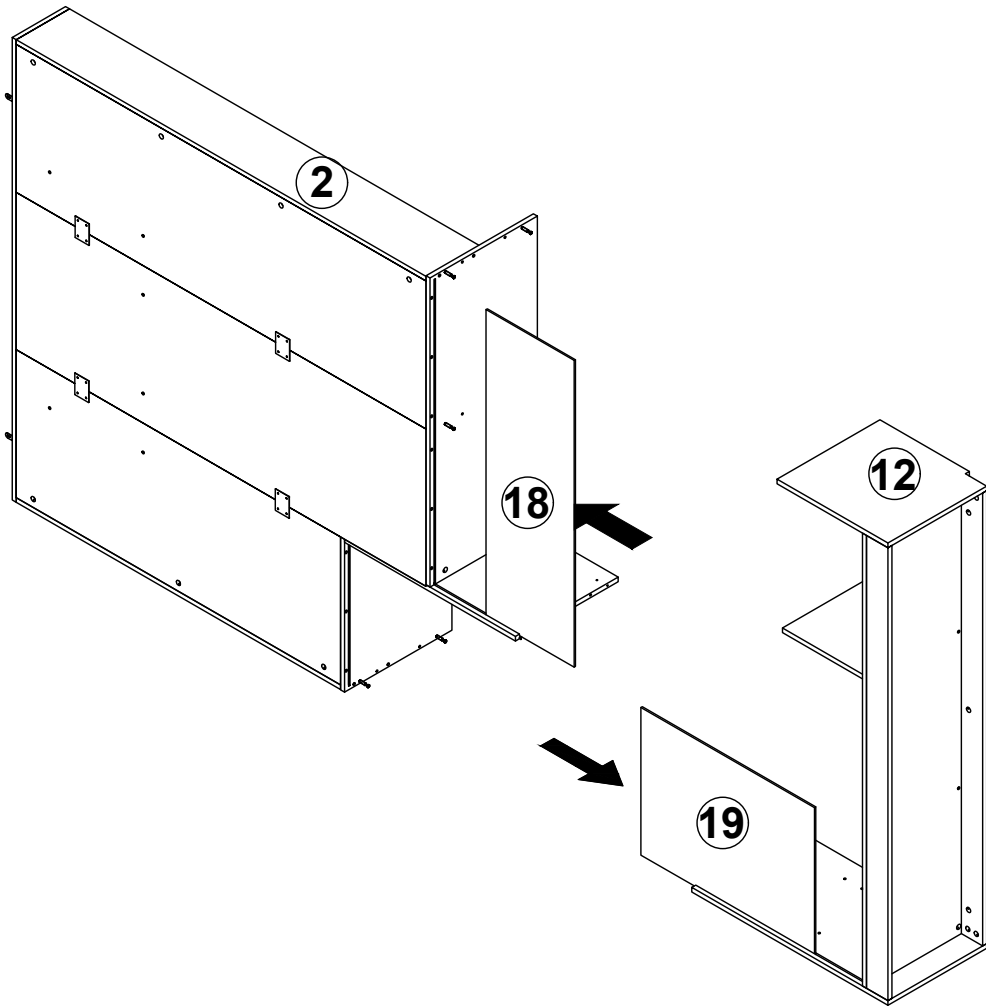
Step 11



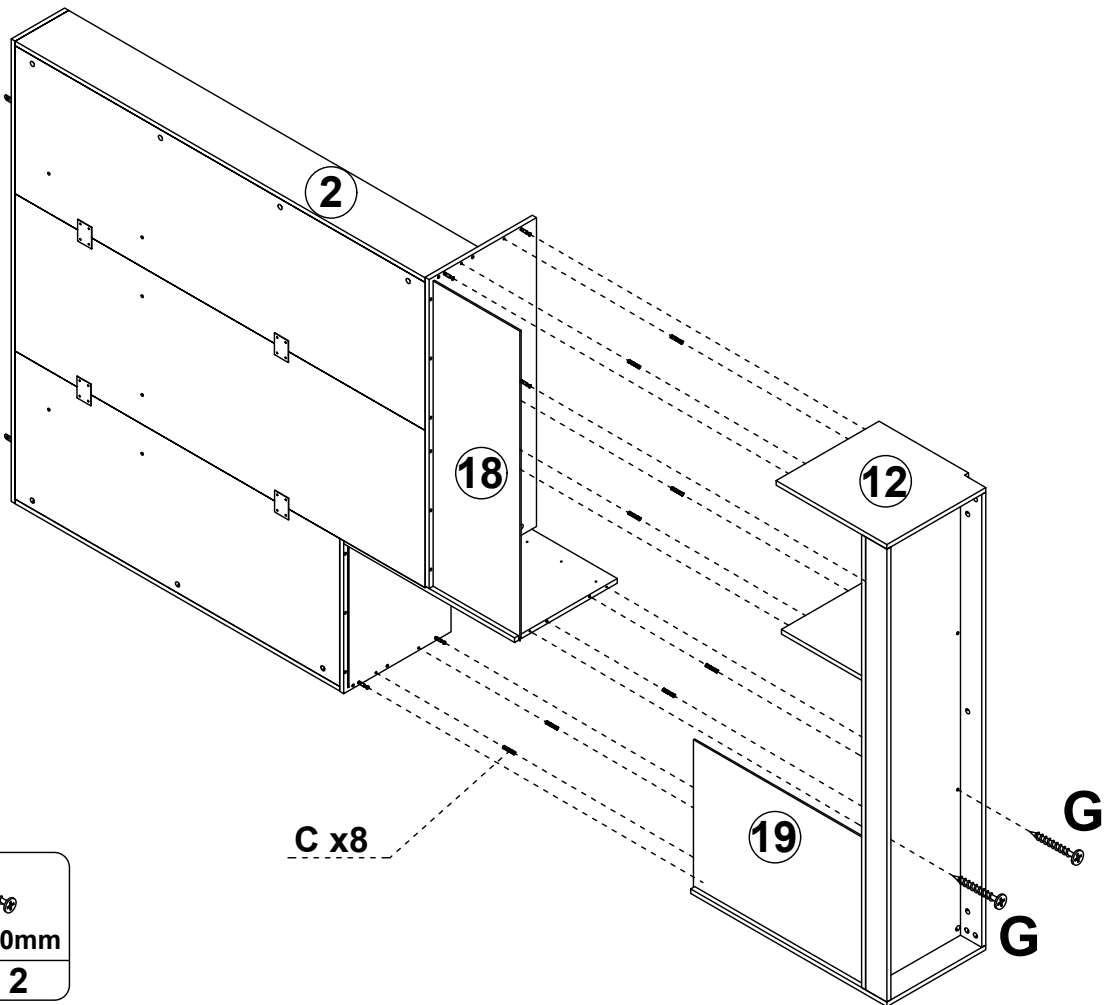
Step 12



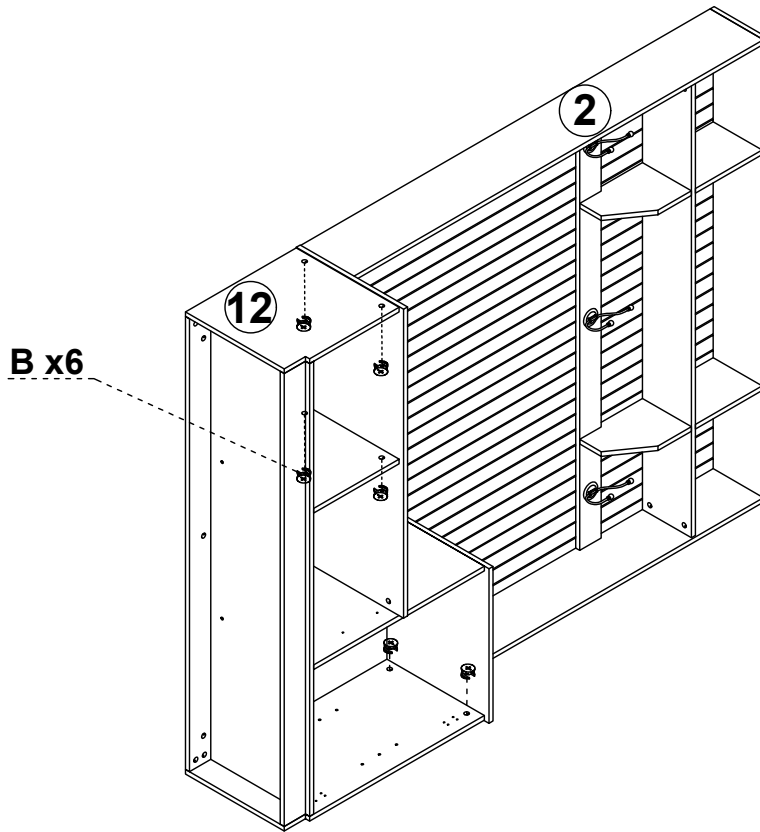
Step 13



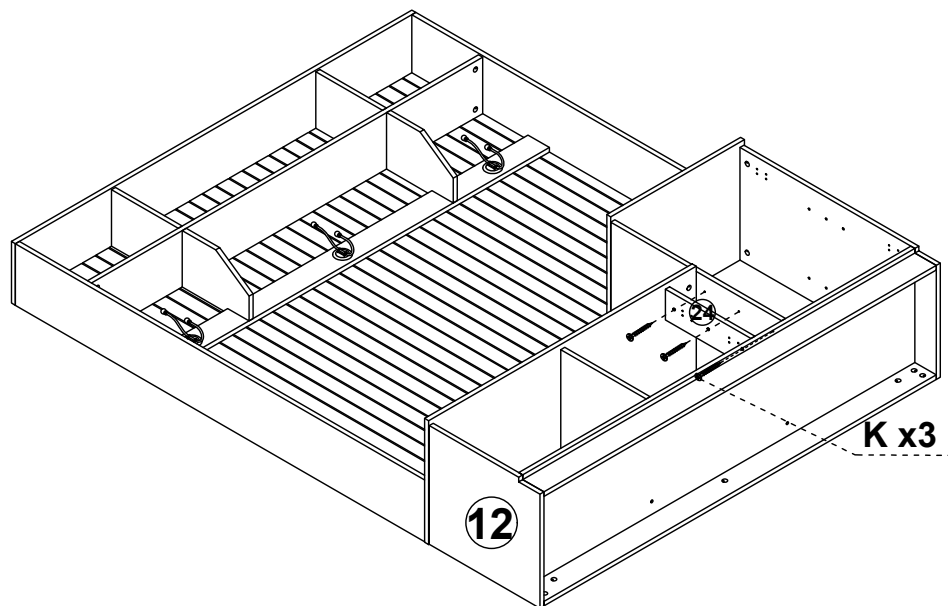
Step 14



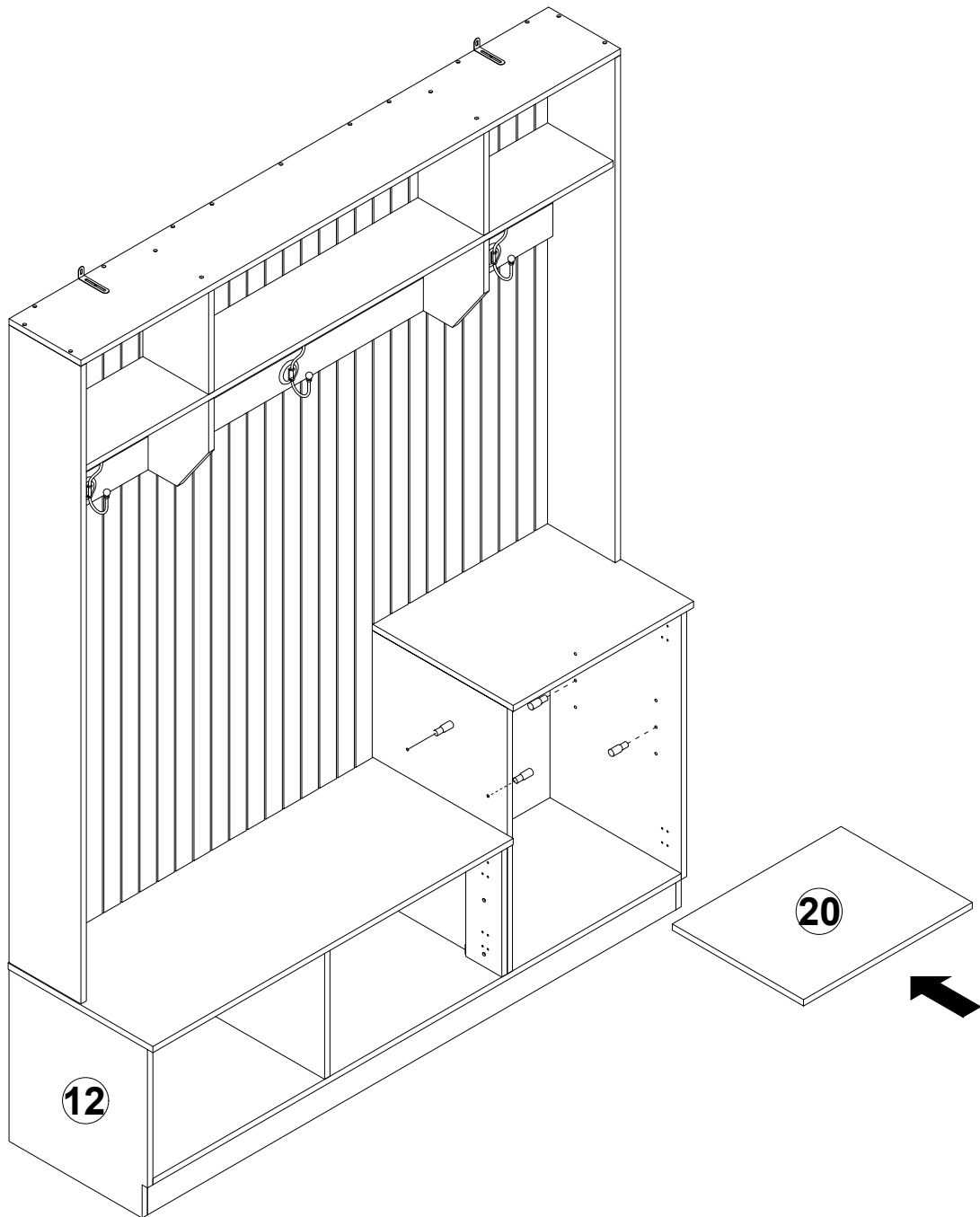
Step 15



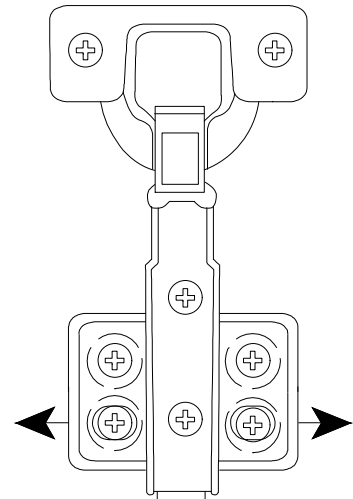
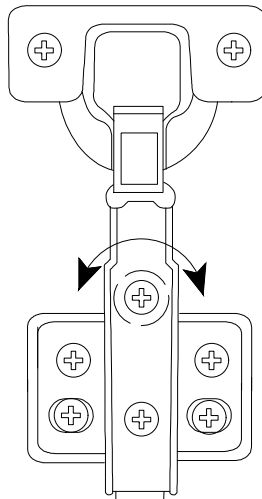
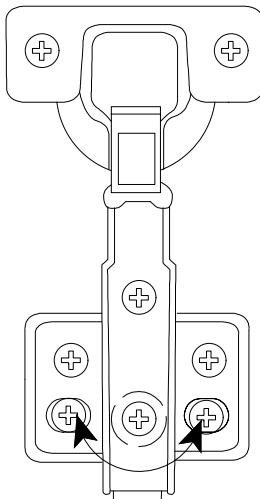
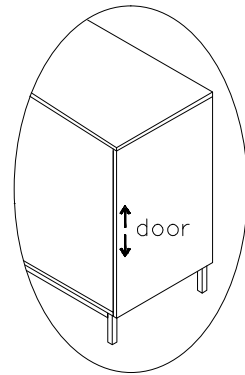
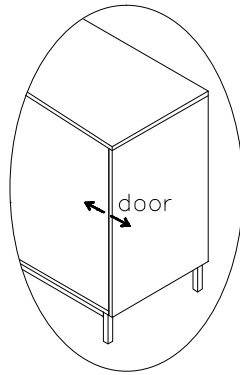
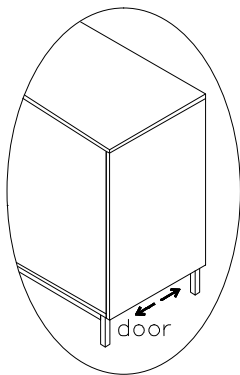
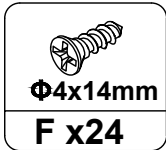
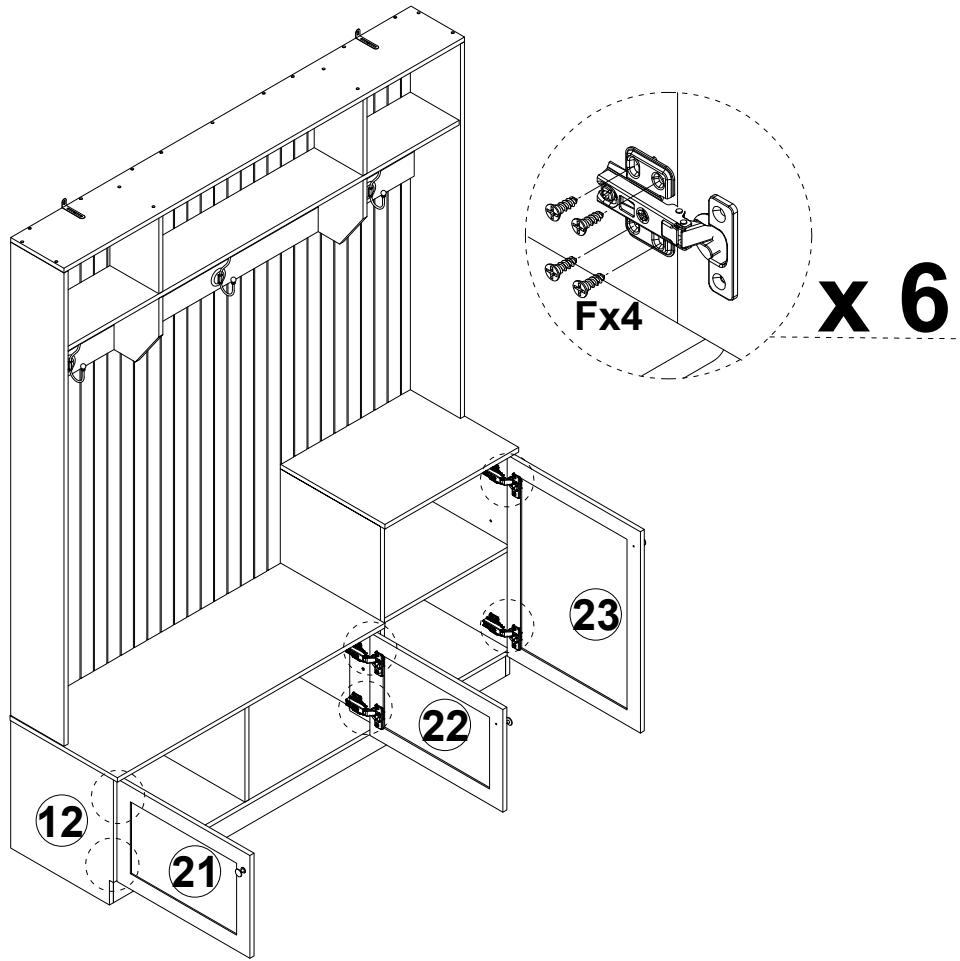
Step 16



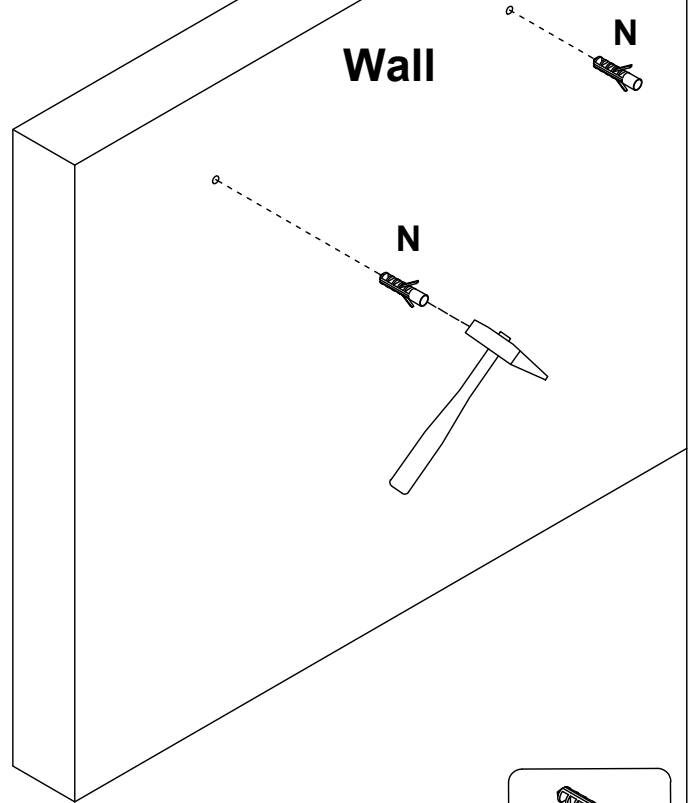
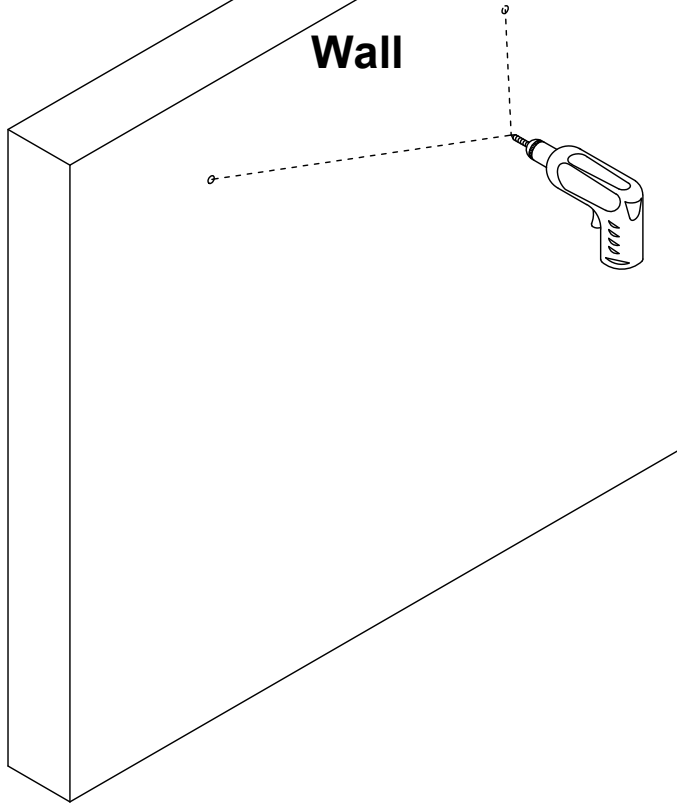
Step 17



Step 18



Step 19



Step 20

