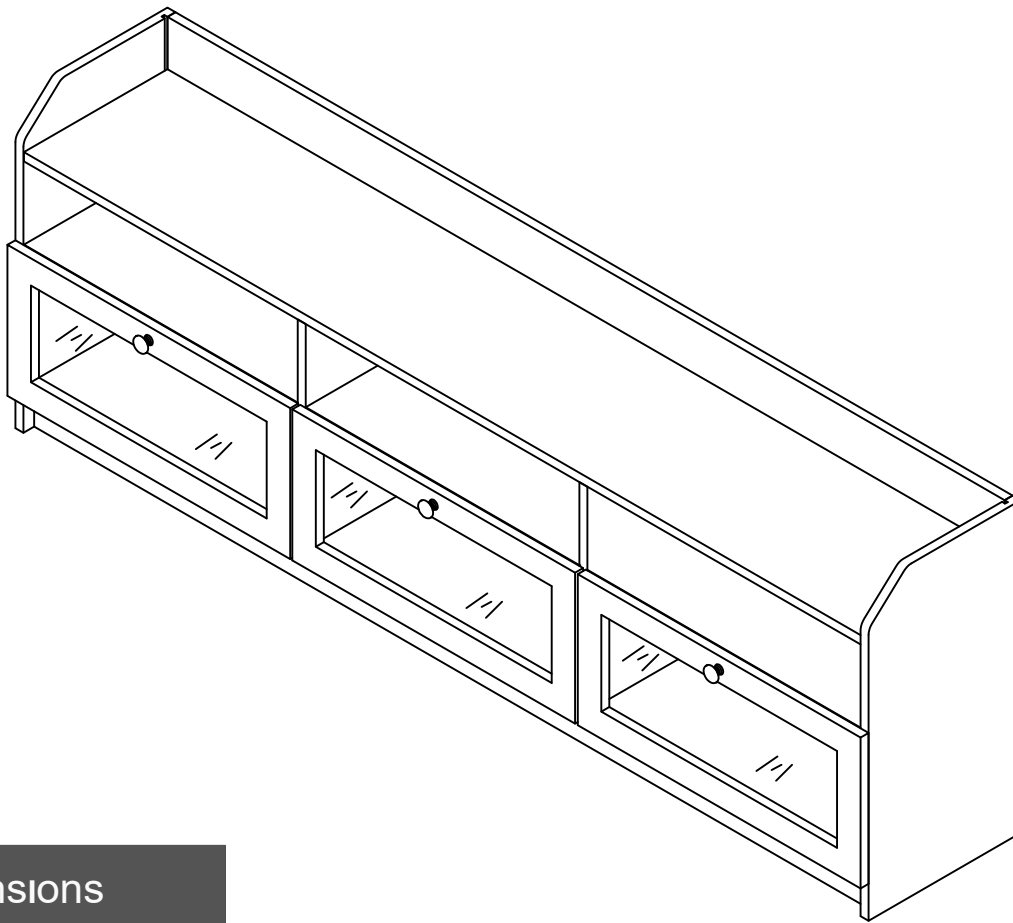


TV STAND

Assembly Instructions - Please keep for future reference



Dimensions

Width-62.9inch

Depth-11.8inch

Height-21.2inch

Important - Please read these instructions fully before starting assembly

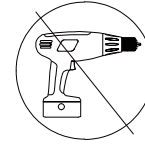


Safety and Care Advice

Important - Please read these instructions fully before starting assembly

- . Check you have all the components and tools listed on the following pages.
- . Remove all fittings from the plastic bags and separate them into their groups.
- . Keep children and animals away from the work area, small parts could choke if swallowed.
- . Make sure you have enough space to layout the parts before starting.

- . During assembly do not stand or put weight on the product, this could cause damage.
- . Assemble the item as close to its final position (in the same room) as possible.
- . Assemble on a soft level surface to avoid damaging the unit or your floor.
- . Parts of the assembly will be easier with 2 people.



- . To reduce the likelihood of damaging your product please ensure that your power drill is set on a low torque setting.

Care and maintenance

- . Only clean using a damp cloth and mild detergent, do not use bleach or abrasive cleaners.
- . From time to time check that there are no loose screws on this unit.
- . This product should not be discarded with household waste. Take to your local authority waste disposal centre.

Handy Hints

- . Assemble all parts and bolts loosely during assembly, only once the product is complete should you fully tighten the bolts
- . Regularly check and ensure that all bolts and fittings are tightened properly.

WARNING
In order to help prevent overturning - please follow these instructions

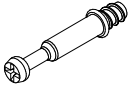

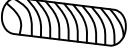
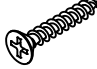




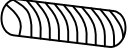
To help prevent product toppling over please follow the below steps:-

- Use the anti tip stop or wall fixing method provided (if applicable)
- Do not allow children to climb or hang on the furniture
- Do not open more than one drawer at a time
- Do not place heavy items in the top drawers
- Do not place heavy items on top of the furniture, unless the furniture has been designed for this purpose

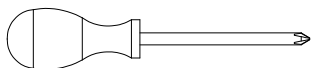
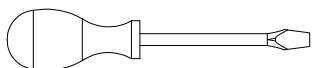
Components - Fittings

Please check you have all the panels listed below

Note: The quantities below are the correct amount to complete the assembly. In some cases more fittings may be supplied than are required

<p>(A)  Cam Bolt x 36</p>	<p>(B)  Cam lock x 36</p>	<p>(C)  6*30mm Dowel x 30</p>	<p>(D)  4*40 Screw x 4</p>
<p>(E)  4*12mm Screw x 36</p>	<p>(F)  4*18 Screw x 3</p>	<p>(G)  x 6</p>	<p>(H)  x 3</p>
<p>(I)  6*50mm Dowel x 4</p>			

Tools required

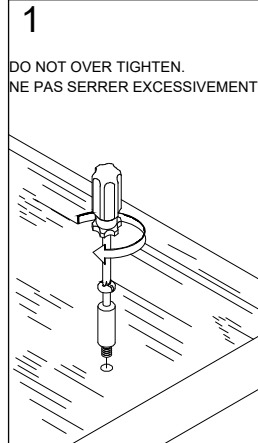


Phillips screwdriver
(medium & large)

Using Camlocks

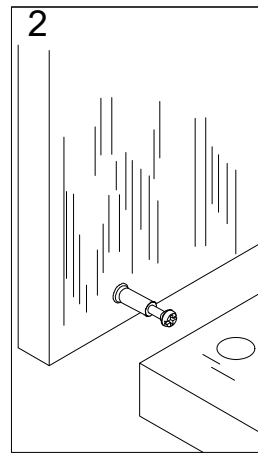
Step 1

Connect the male camlock as directed in the assembly instructions using a screwdriver.



Step 2

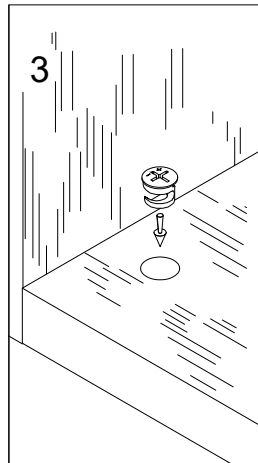
Push the male camlock into the entry hole.



Step 3

Insert the female camlock as shown in the instruction.

Note: ensure that the arrow on the top of the camlock points towards the entry hole for the male camlock.

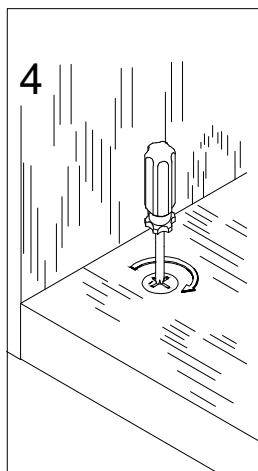


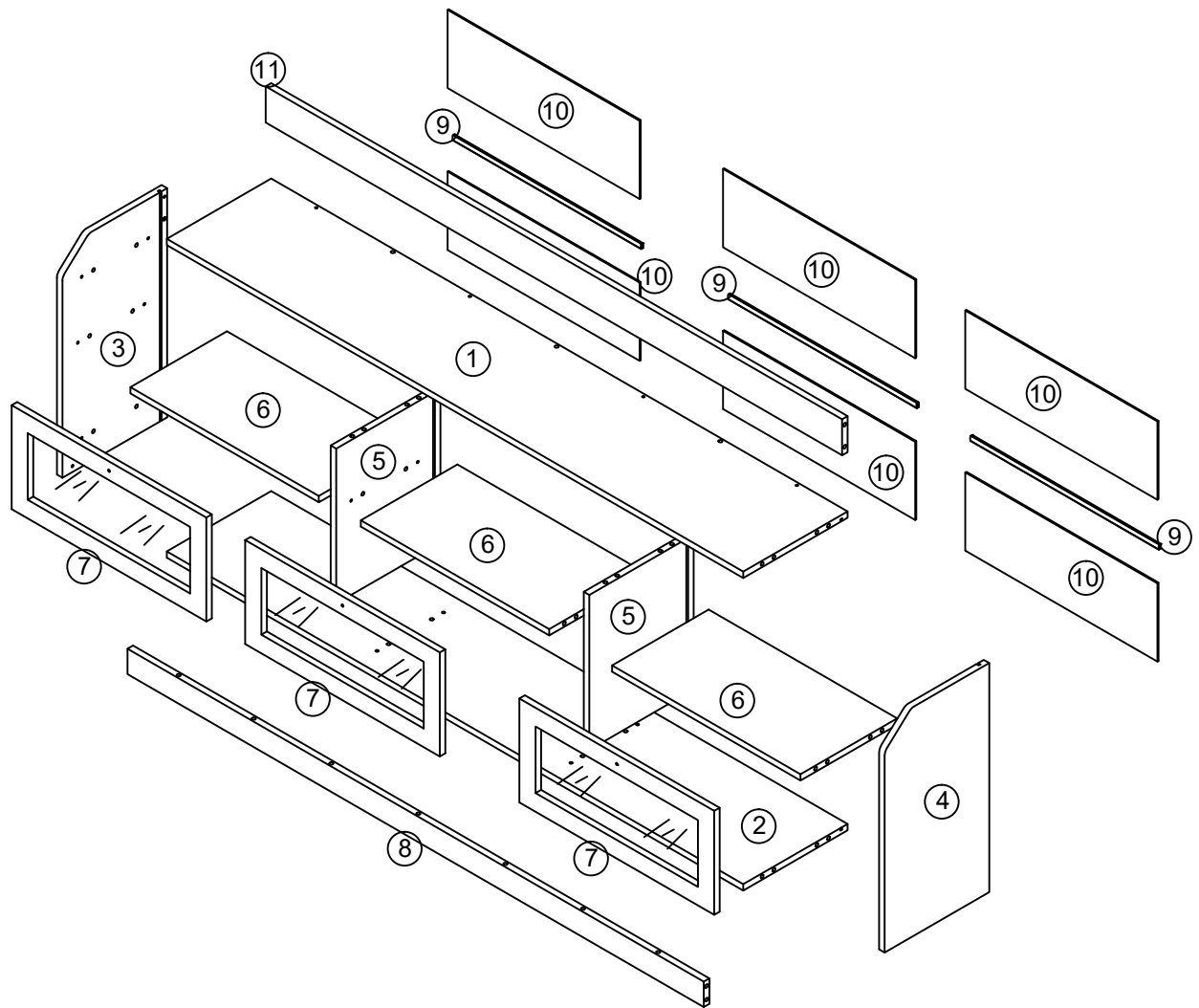
Step 4

Turn the female camlock clockwise with a screwdriver.

You should feel a click when the camlock is locked in place.

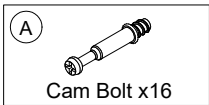
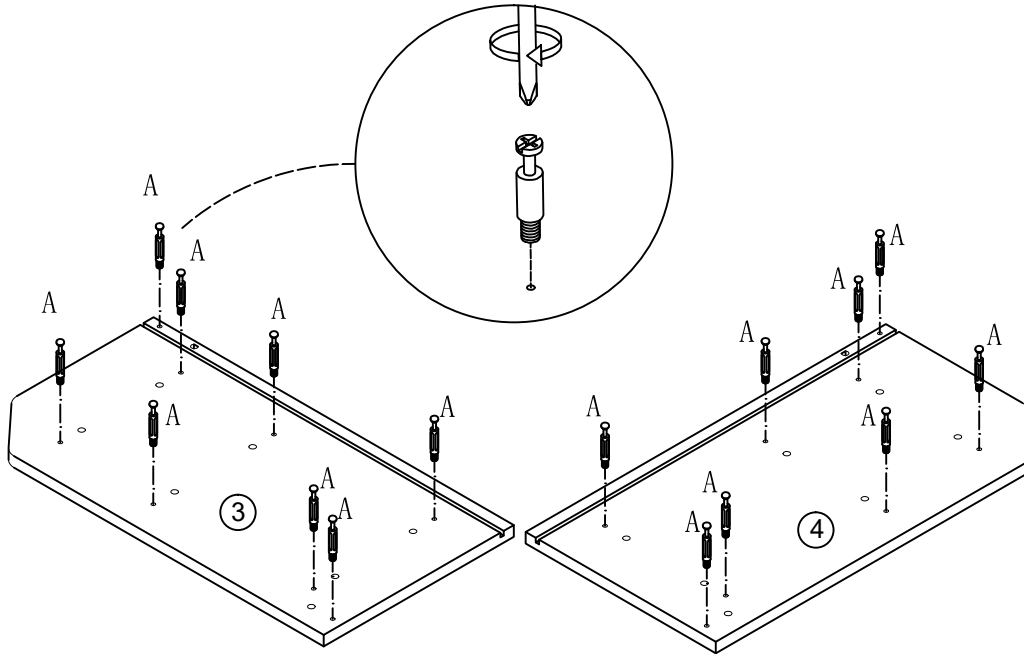
The joint is now secure.



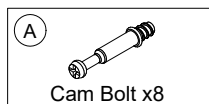
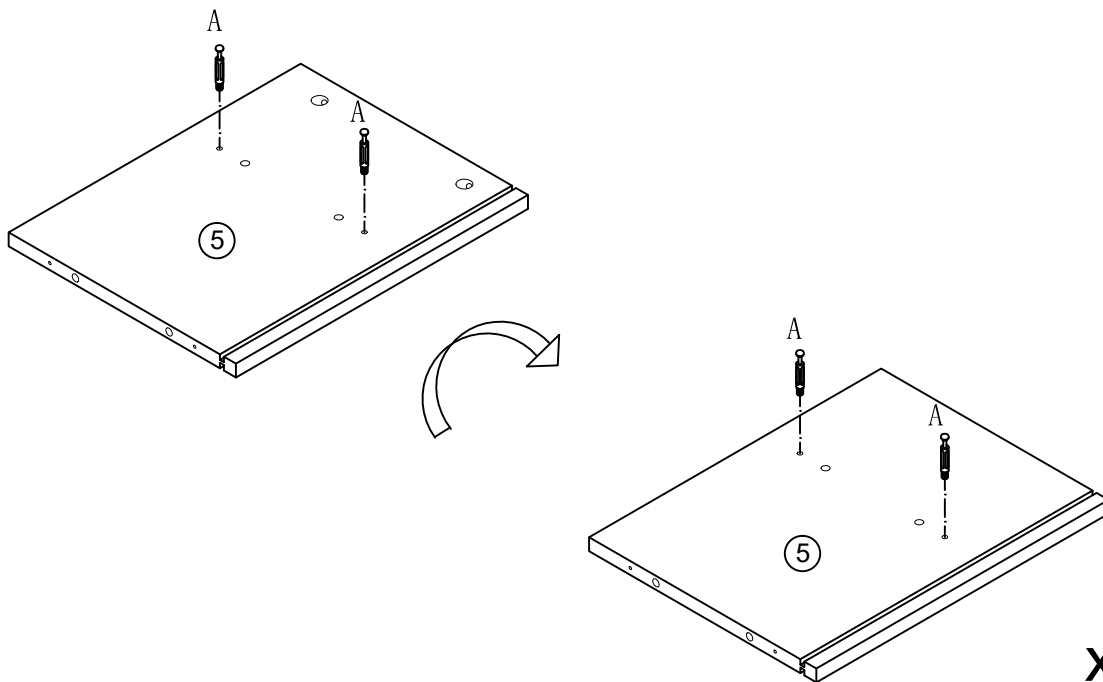


Assembly Instructions

Step 1



Step 2

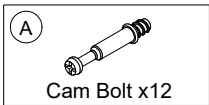
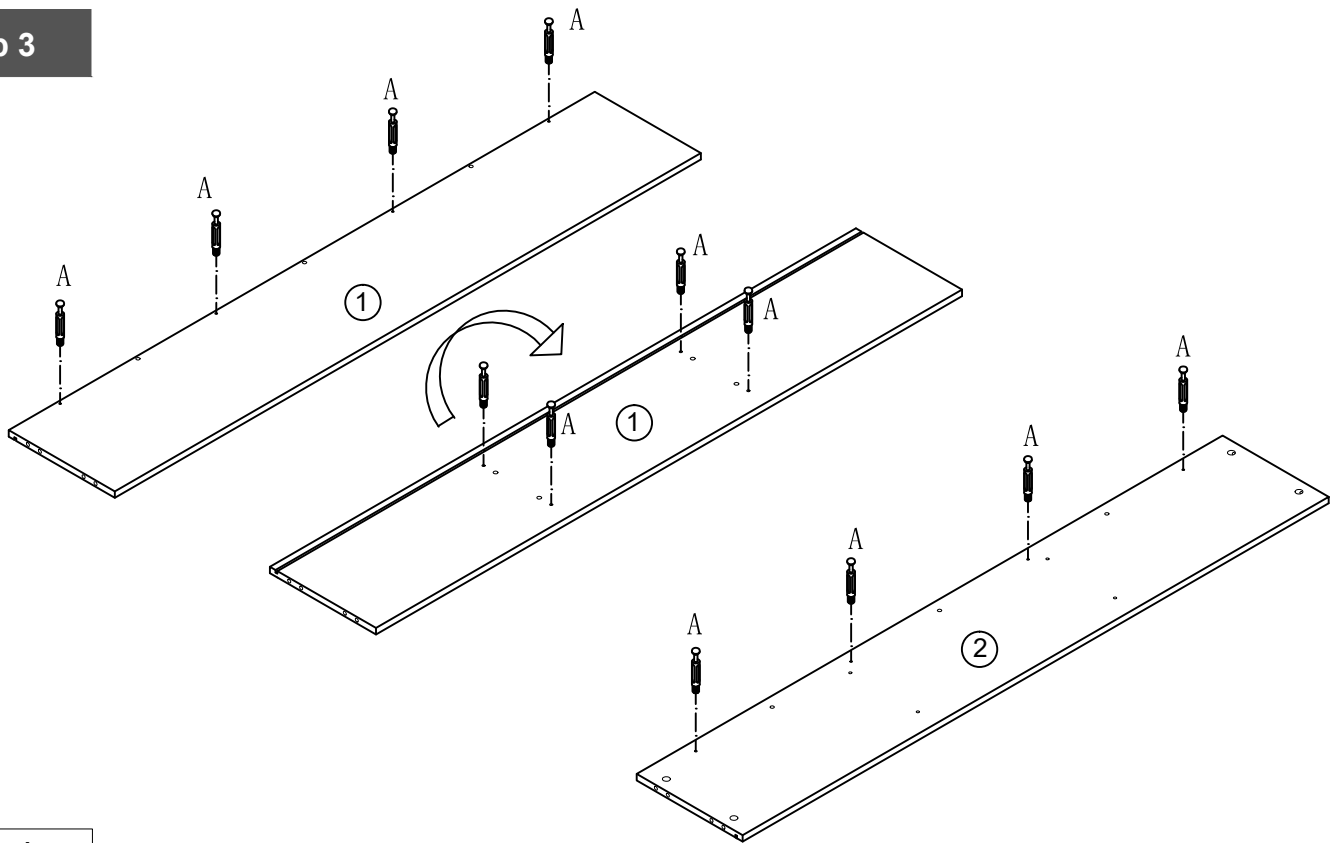


x 2

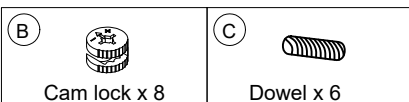
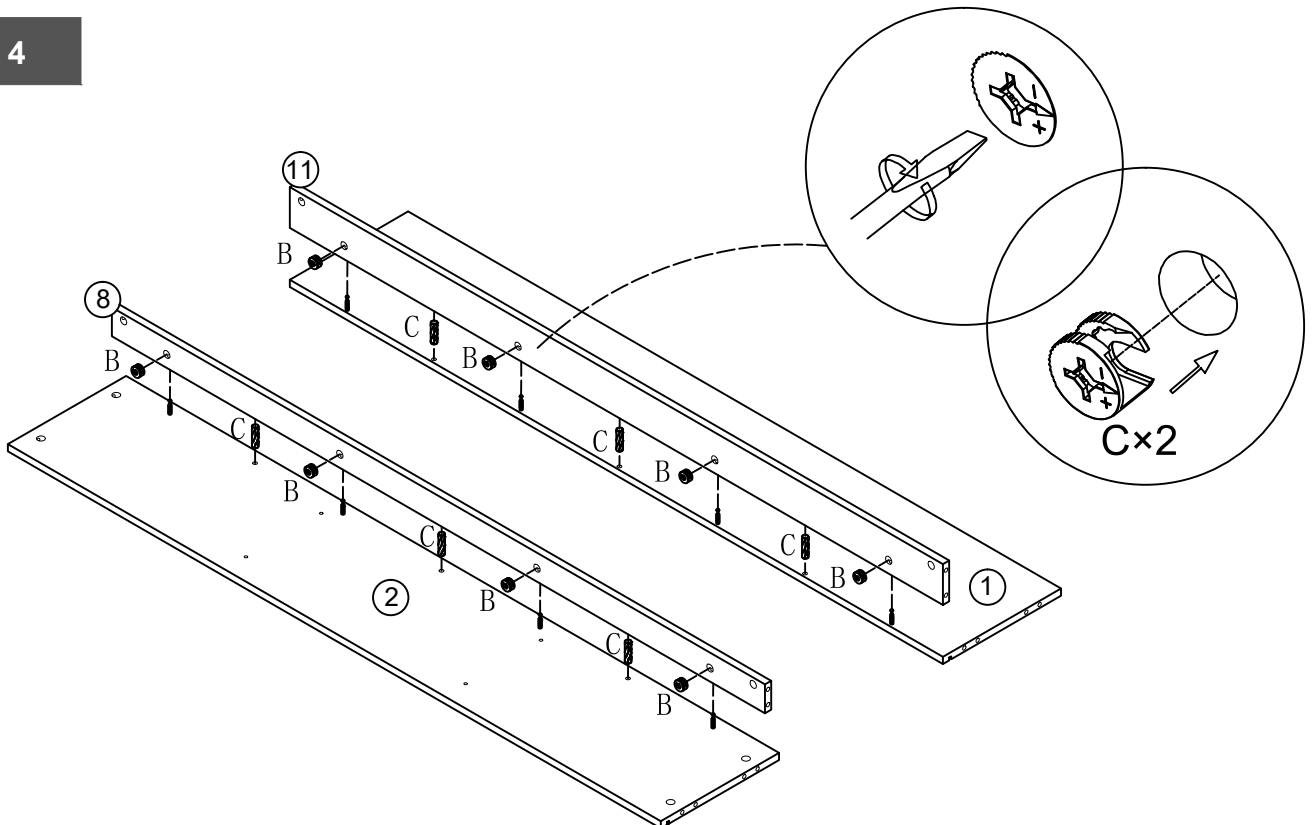
6

Assembly Instructions

Step 3

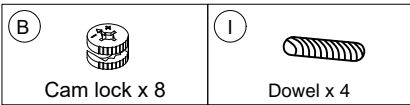
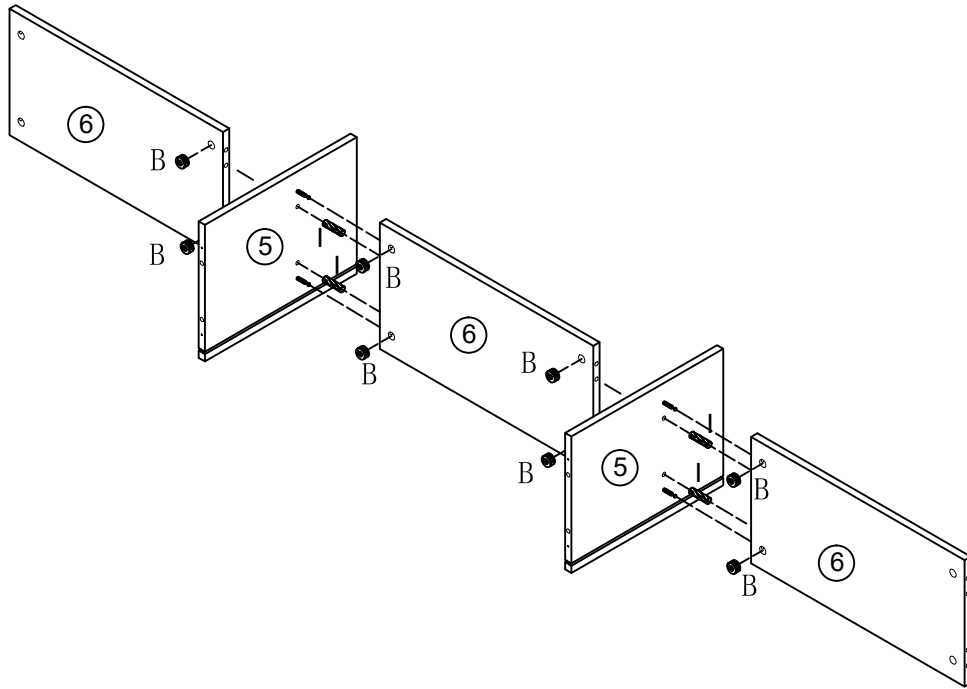


Step 4

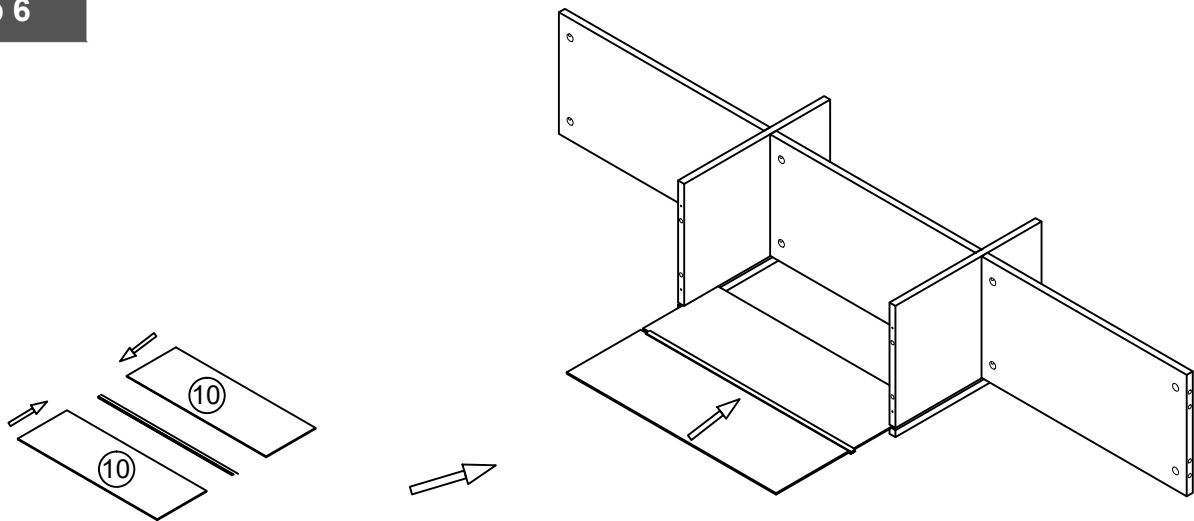


Assembly Instructions

Step 5

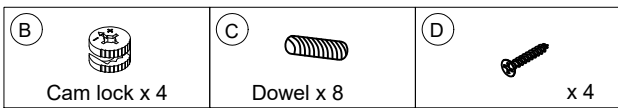
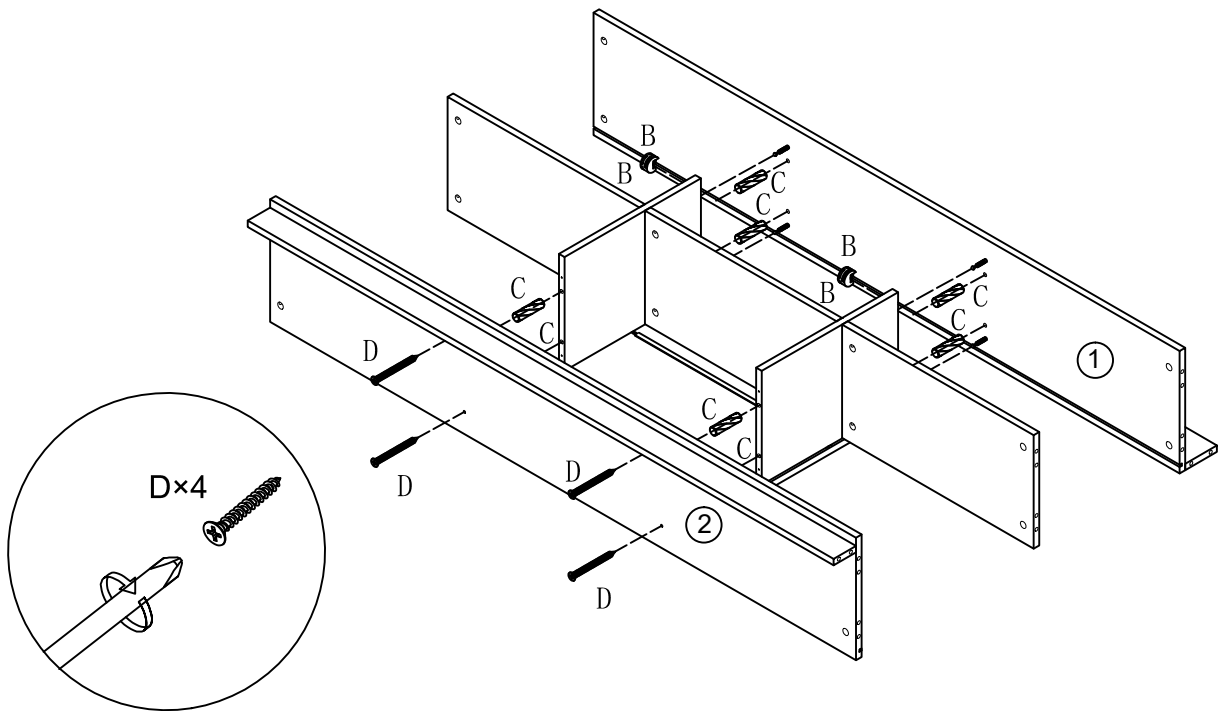


Step 6

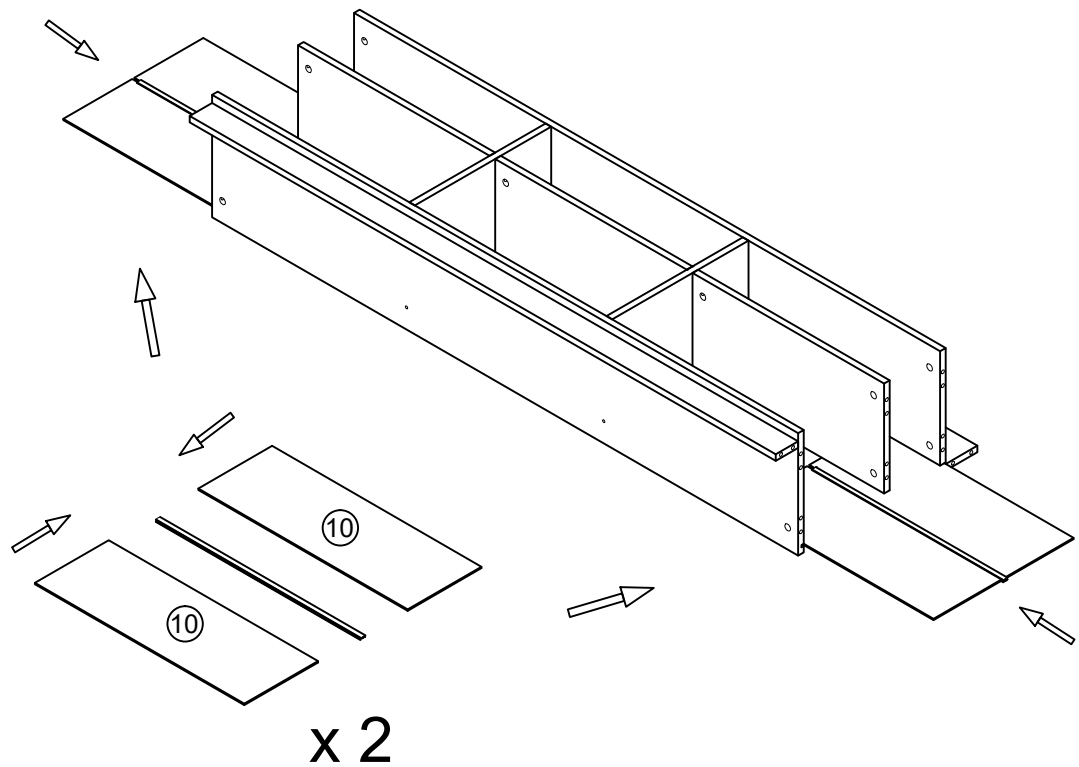


Assembly Instructions

Step 7

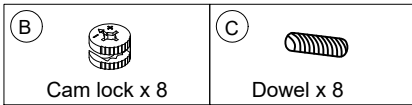
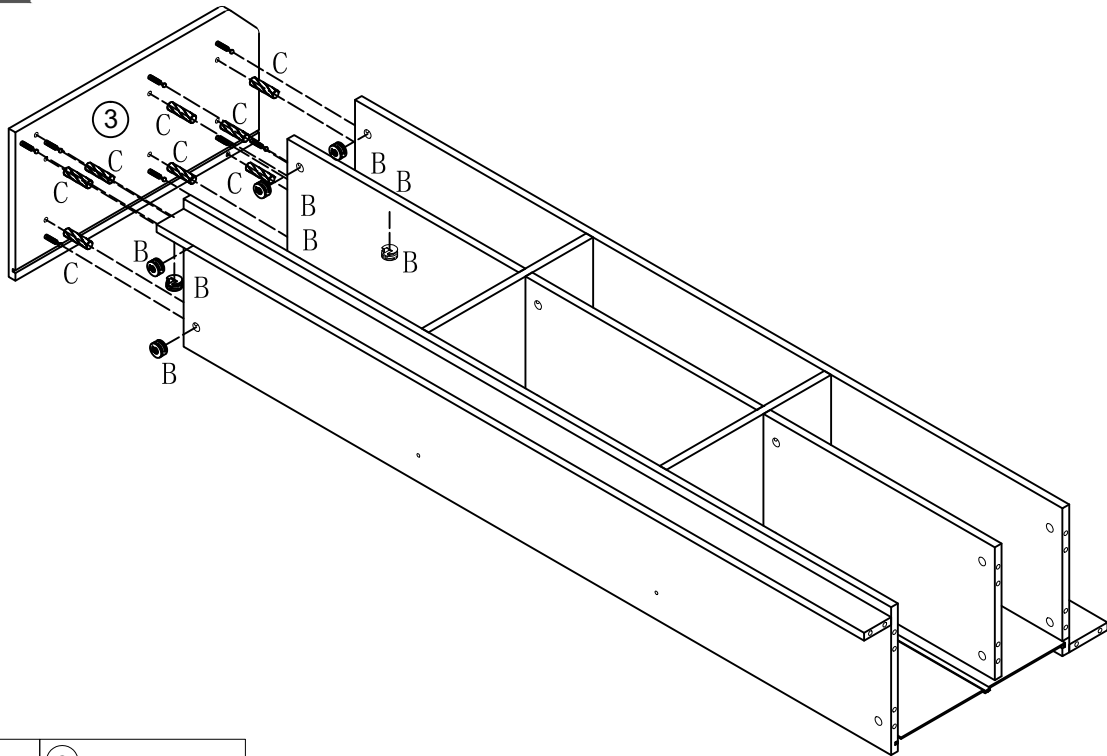


Step 8

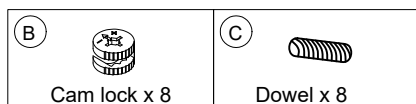
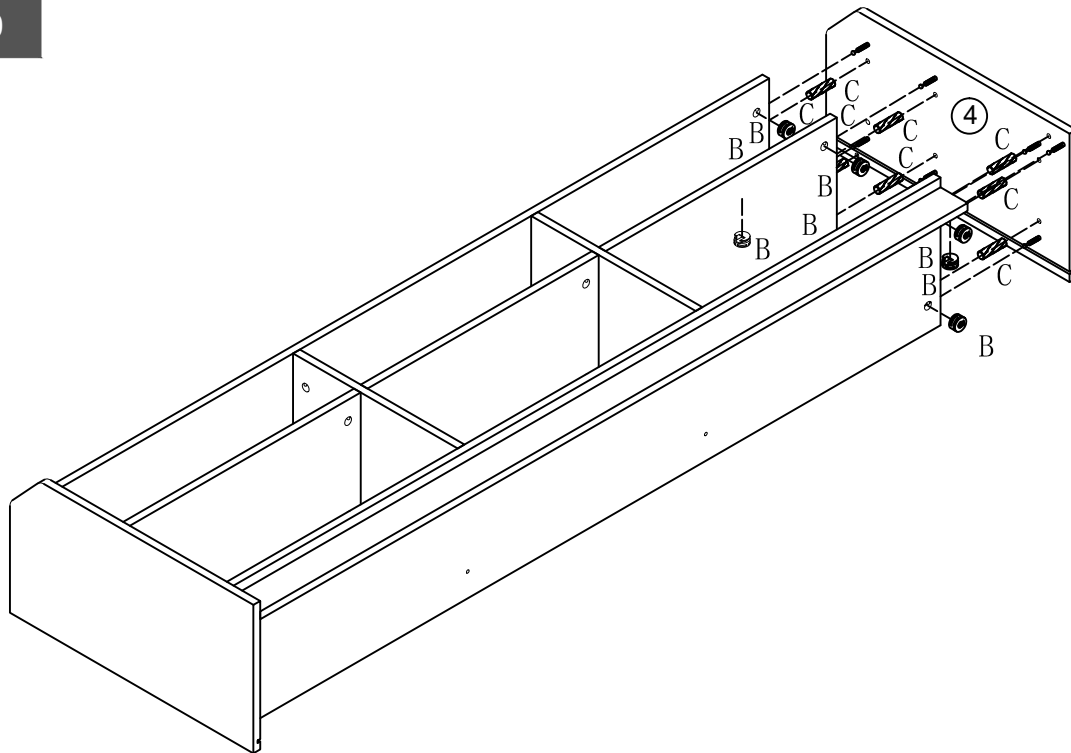


Assembly Instructions

Step 9

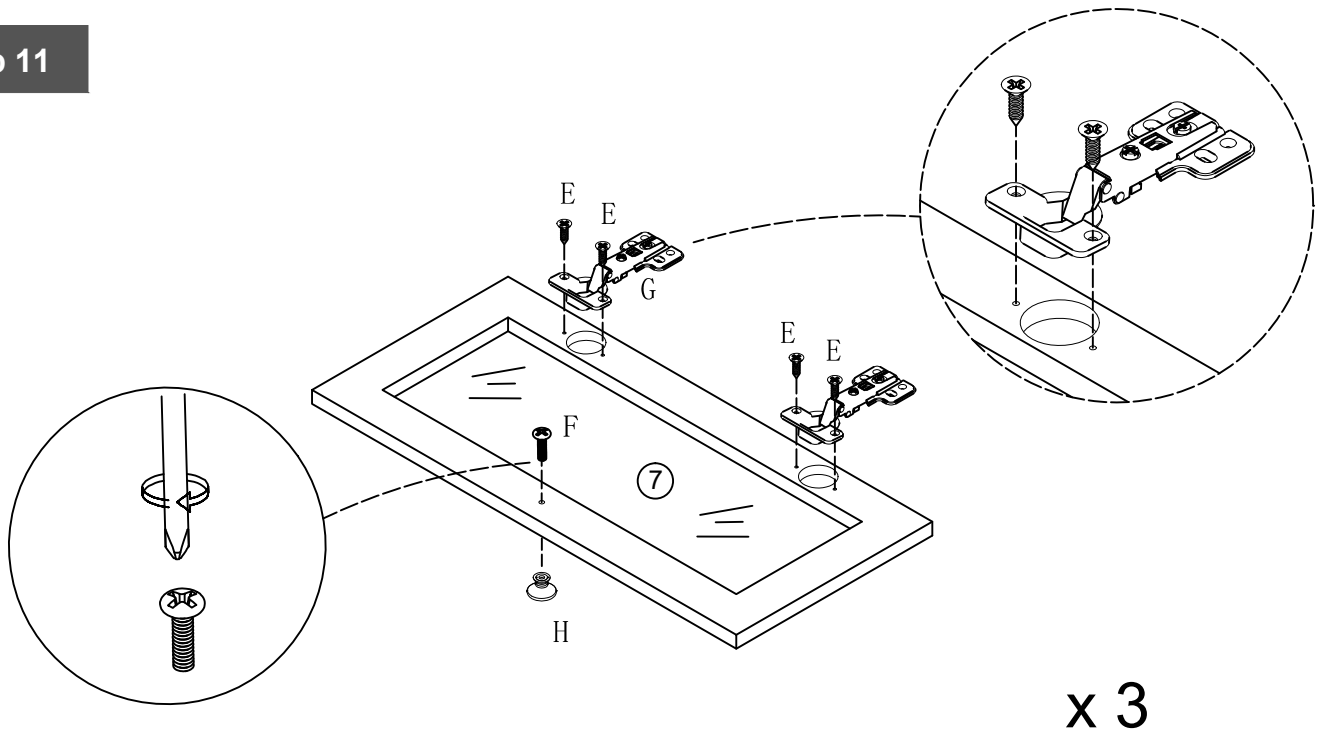






Step 10



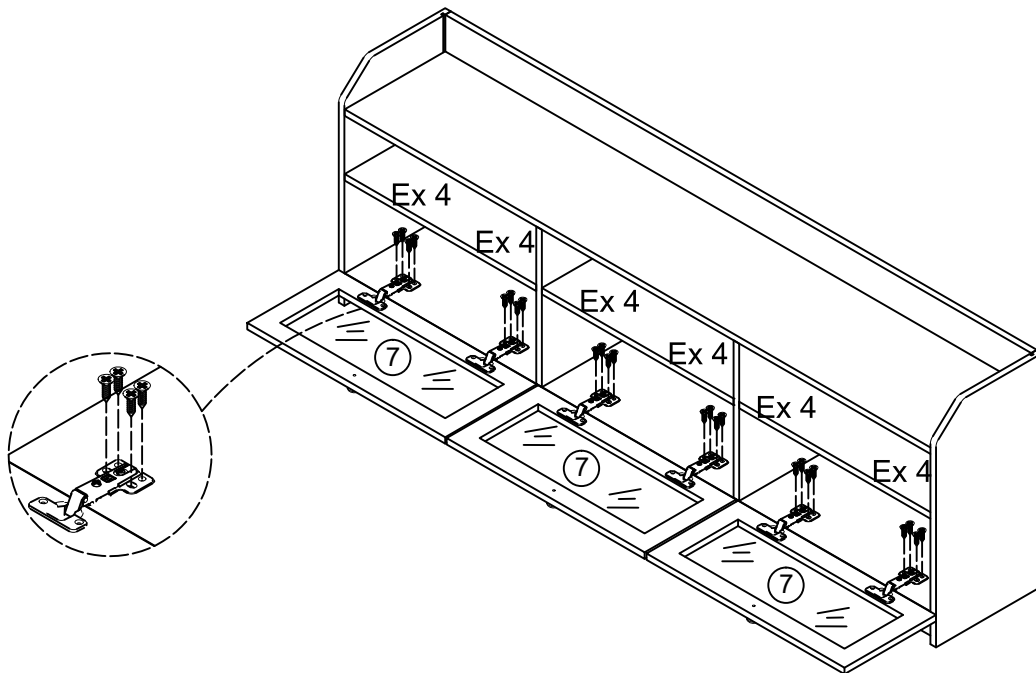
Assembly Instructions

Step 11



(E) 	(F) 	(G) 	(H) 
4*12mm Screw x12	x 3	x 6	x 3

Step 12



(E) 
4*12mm Screw x24

Assembly Instructions

Step 13

