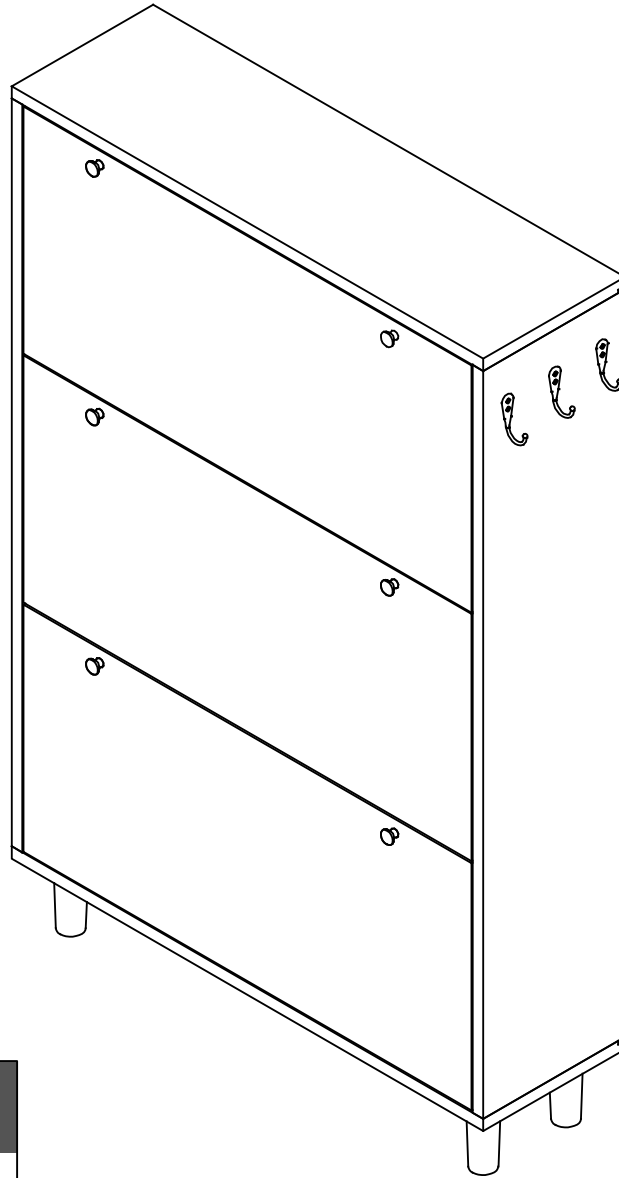


SHOE CABINET

Assembly Instructions - Please keep for future reference



Dimensions

Width-31.49inch

Depth-9.45inch

Height-47.64inch

Important – Please read these instructions fully before starting assembly



Safety and Care Advice

Important – Please read these instructions fully before starting assembly

- Check you have all the components and tools listed on the following pages.
- Remove all fittings from the plastic bags and separate them into their groups.
- Keep children and animals away from the work area, small parts could choke if swallowed.
- Make sure you have enough space to layout the parts before starting.

- During assembly do not stand or put weight on the product, this could cause damage.
- Assemble the item as close to its final position (in the same room) as possible.
- Assemble on a soft level surface to avoid damaging the unit or your floor.
- Parts of the assembly will be easier with 2 people.



power drill is set on a low torque setting.

- To reduce the likelihood of damaging your product please ensure that your

Care and maintenance

- Only clean using a damp cloth and mild detergent, do not use bleach or abrasive cleaners.
- From time to time check that there are no loose screws on this unit.
- This product should not be discarded with household waste. Take to your local authority waste disposal centre.

Handy Hints

- Assemble all parts and bolts loosely during assembly, only once the product is complete should you fully tighten the bolts
- Regularly check and ensure That all bolts and fittings are tightend properly.

WARNING
In order to help prevent overturning – please follow these instructions

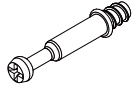

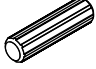

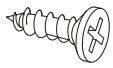

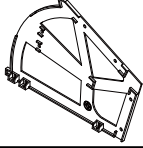
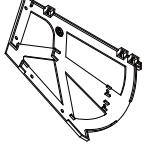
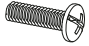
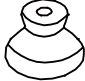
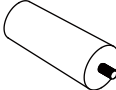
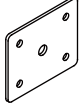


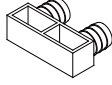
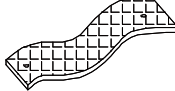
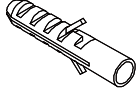
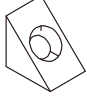


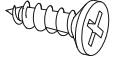

To help prevent product toppling over please follow the below steps:-

- Use the anti tip stap or wall fixing method provided (if applicable)
- Do not allow children to climb or hang on the furniture
- Do not open more than one drawer at a time
- Do not place heavy items in the top drawers
- Do not place heavy items on top of the furniture, unless the furniture has been designed for this purpose

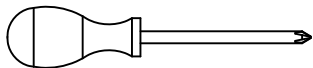
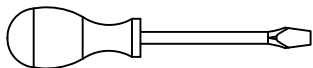
Components - Fittings

Please check you have all the panels listed below

Note: The quantities below are the correct amount to complete the assembly. In some cases more fittings may be supplied than are required.

 <p>Cam Bolt x 12+1</p>	 <p>Cam lock x 12+1</p>	 <p>Dowel x 8+1</p>	 <p>4*35mm Screw x 6+1</p>
 <p>4*14mm Screw x 42+1</p>	 <p>4*14mm Screw x 18+1</p>	 <p>G*3</p>	 <p>H*3</p>
 <p>M4*16mm Screw x 6</p>	 <p>J x 6</p>	 <p>K x 4</p>	 <p>Lx 4</p>
 <p>Mx6</p>	 <p>Nx6</p>	 <p>Ox6</p>	 <p>Px2</p>
 <p>Qx2</p>	 <p>Rx12</p>	 <p>3*16mm Screw x 12+1</p>	 <p>Tx4</p>
 <p>3*12mm Screw x 6</p>	 <p>V x 3</p>		

Tools required



Phillips screwdriver
(medium & large)

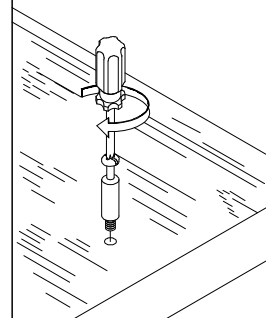
Using Camlocks

Step 1

Connect the male camlock as directed in the assembly instructions using a screwdriver.

1

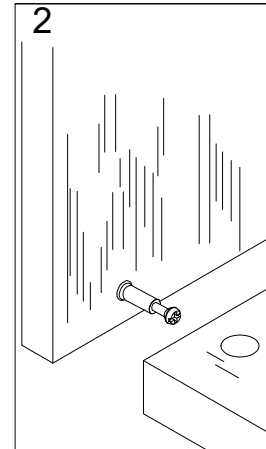
DO NOT OVER TIGHTEN.
NE PAS SERRER EXCESSIVEMENT.



Step 2

Push the male camlock into the entry hole.

2

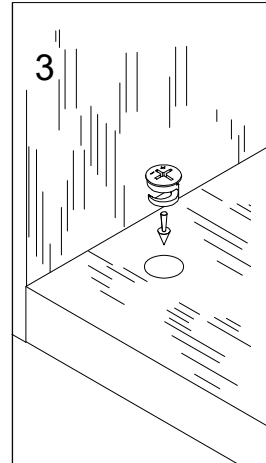


Step 3

Insert the female camlock as shown in the instruction.

Note: ensure that the arrow on the top of the camlock points towards the entry hole for the male camlock.

3



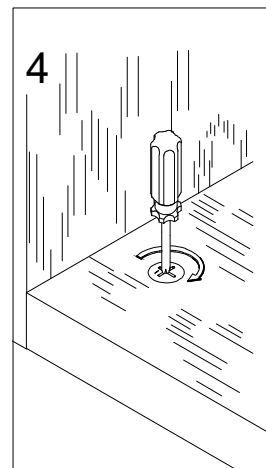
Step 4

Turn the female camlock clockwise with a screwdriver.

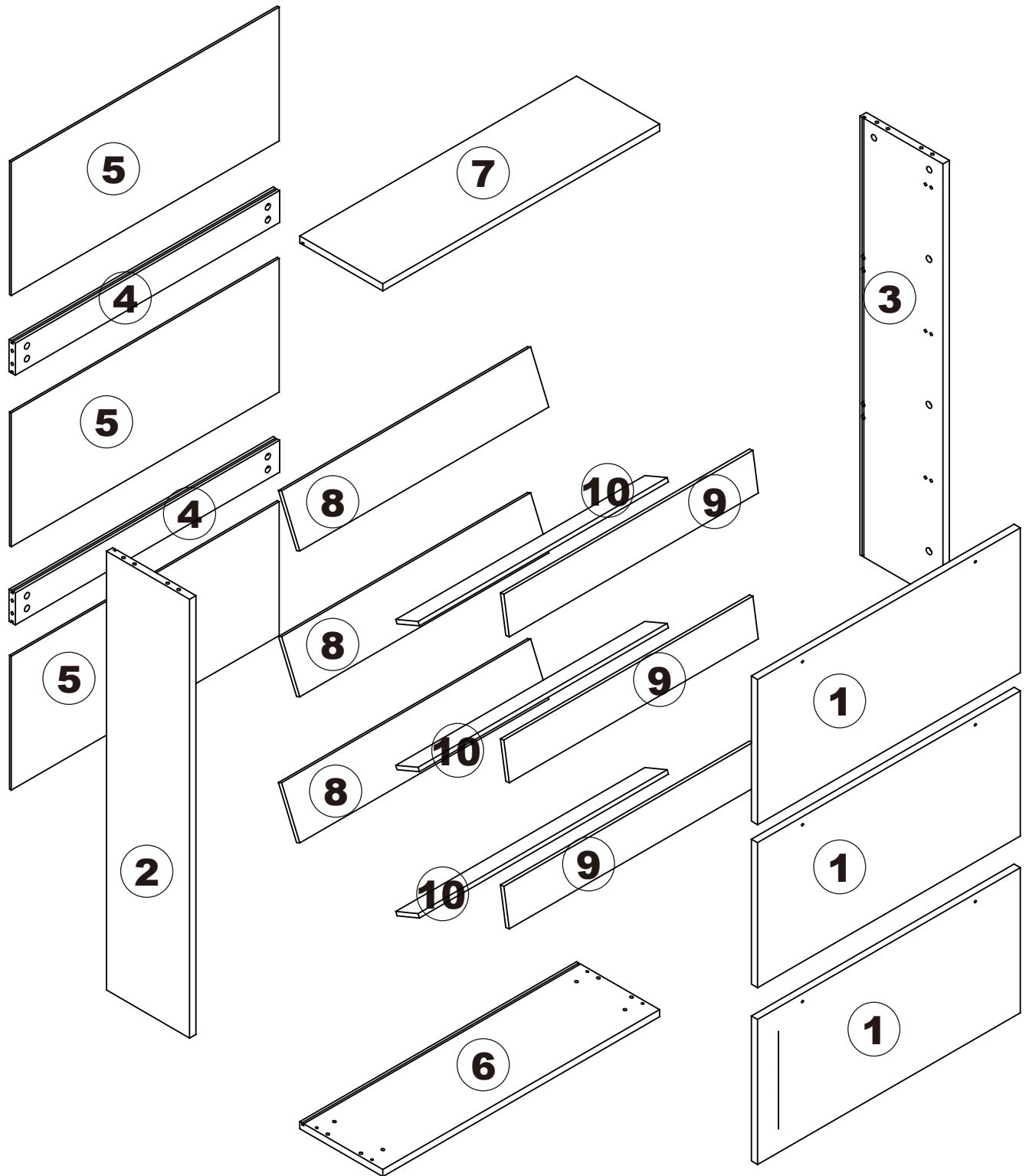
You should feel a click when the camlock is locked in place.

The joint is now secure.

4

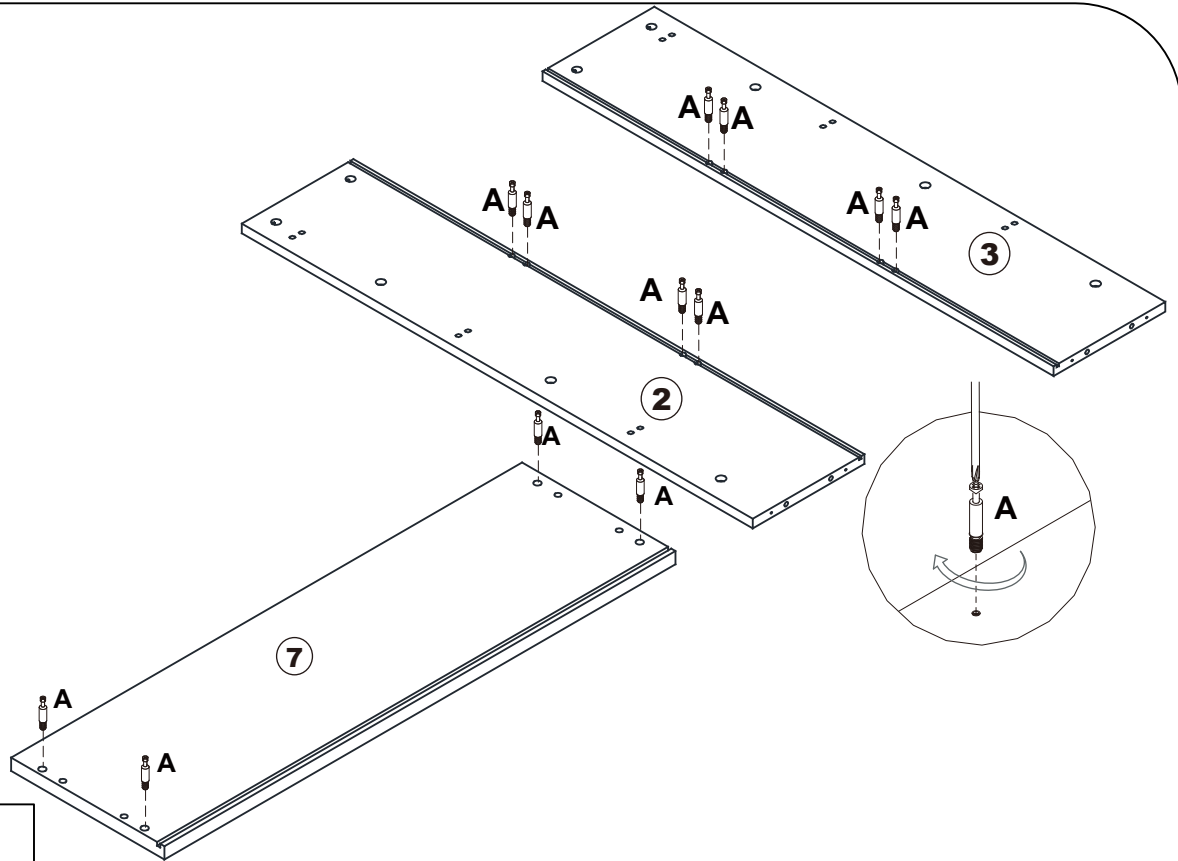


Assembly Instructions

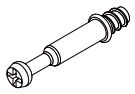


Assembly Instructions

Step 1

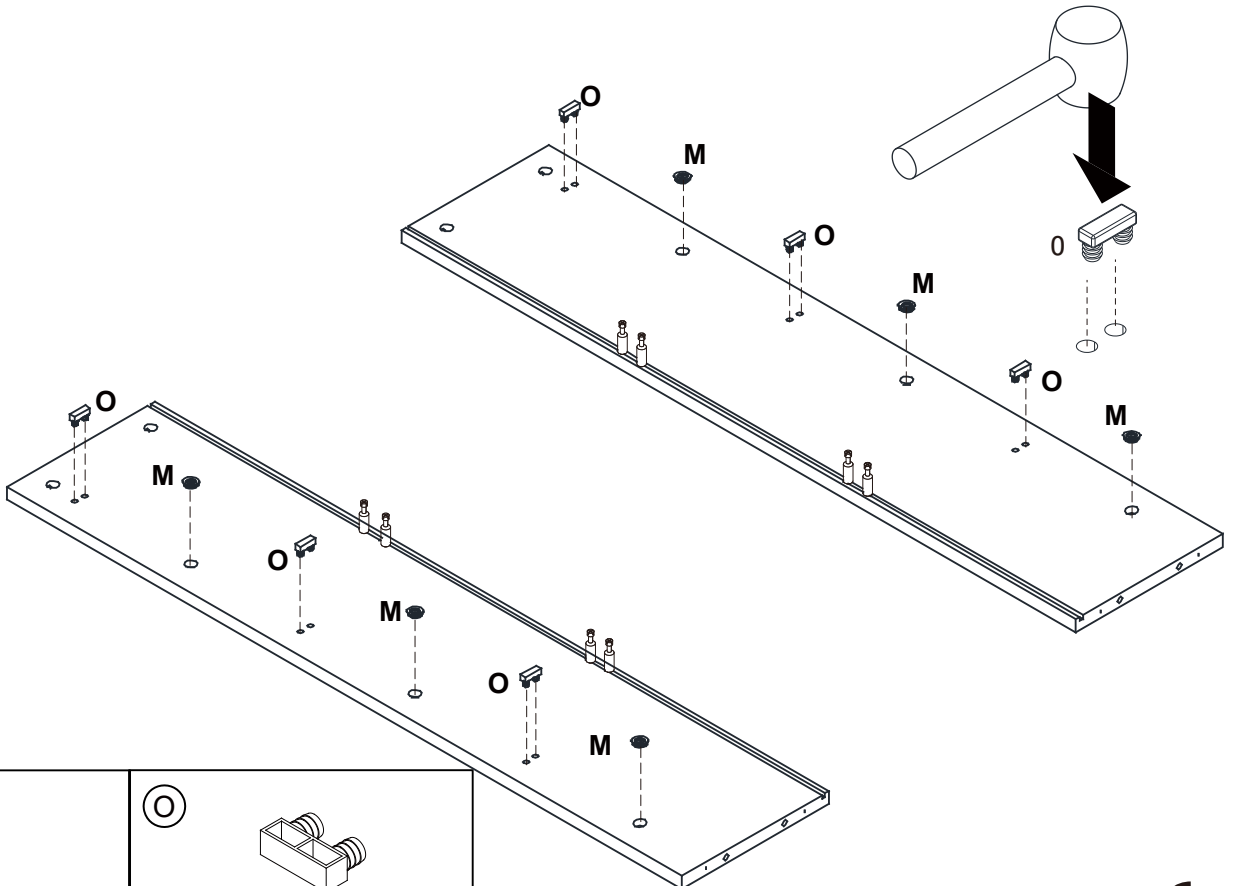


(A)



Cam Bolt x 12

Step 2

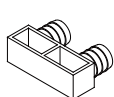


(M)



M x 6

(O)

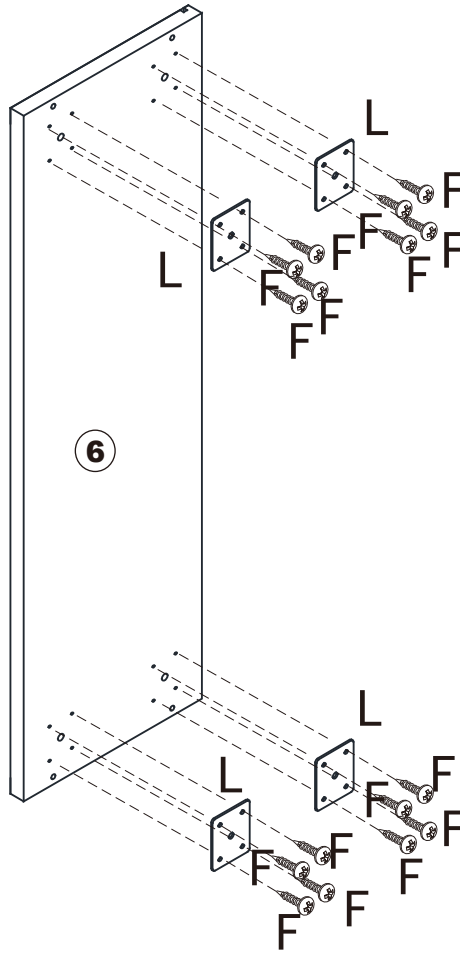


O x 6

6

Assembly Instructions

Step 3

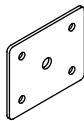


(F)



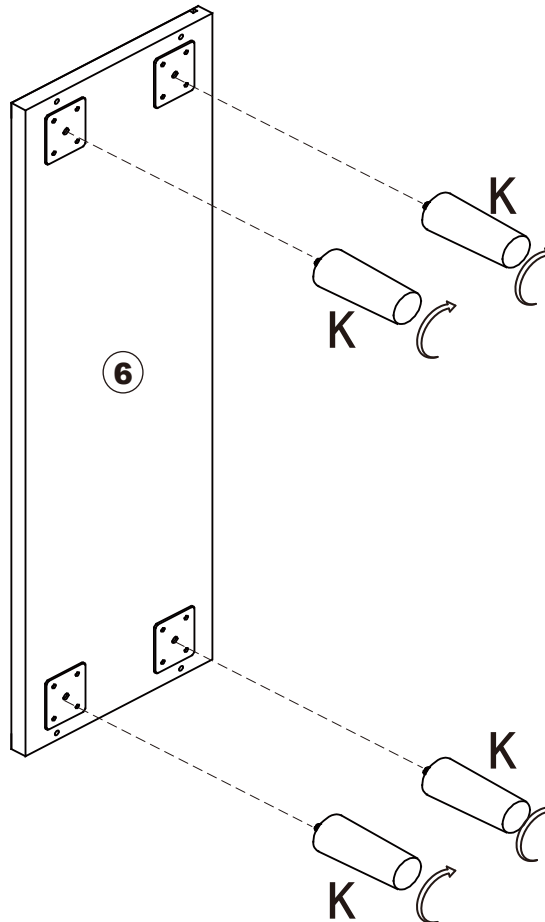
4*14mm Screw x 16

(L)

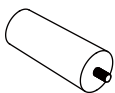


L x 4

Step 4



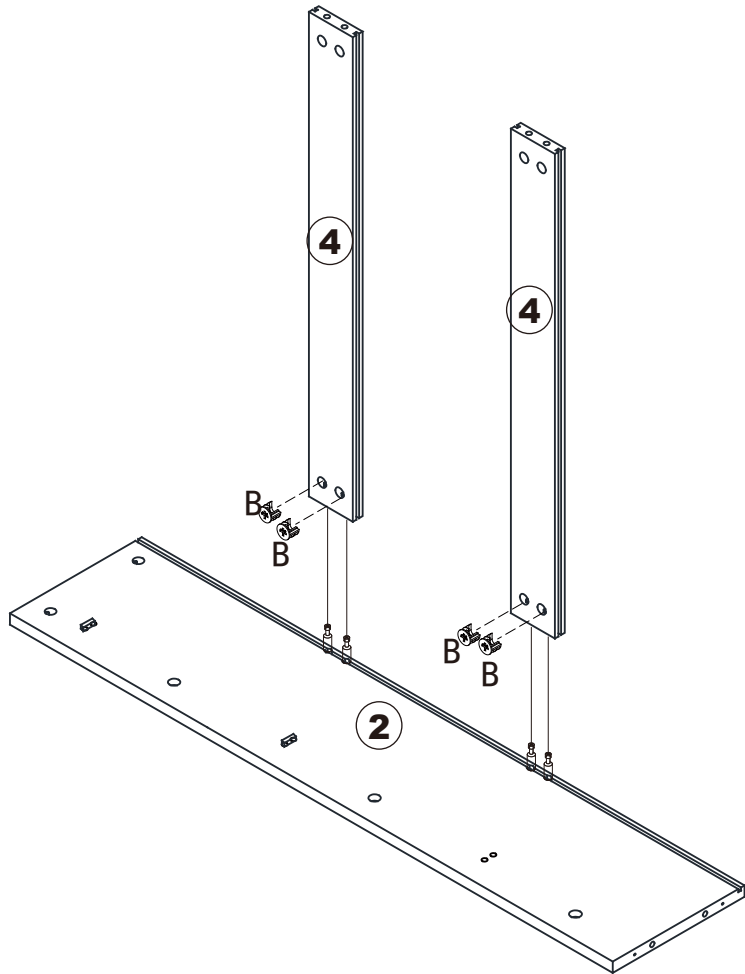
(K)



K x 4

Assembly Instructions

Step 5

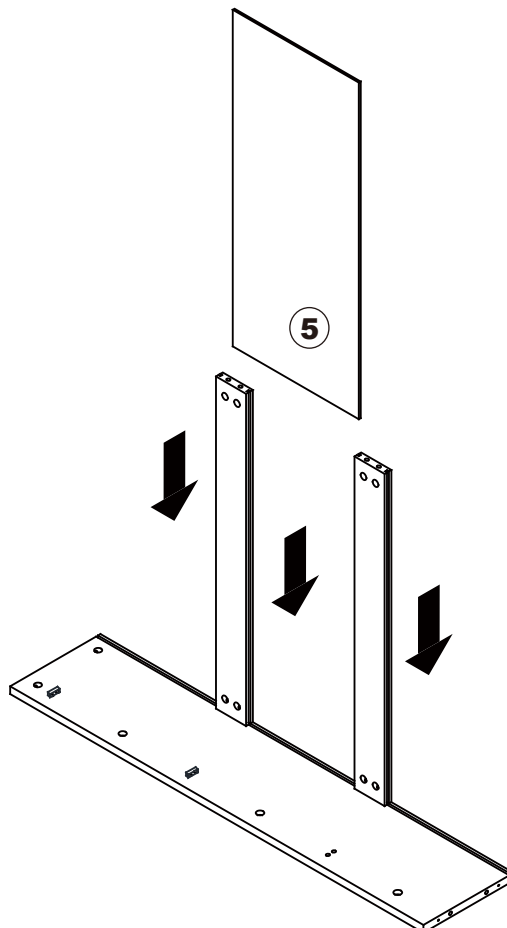


(B)



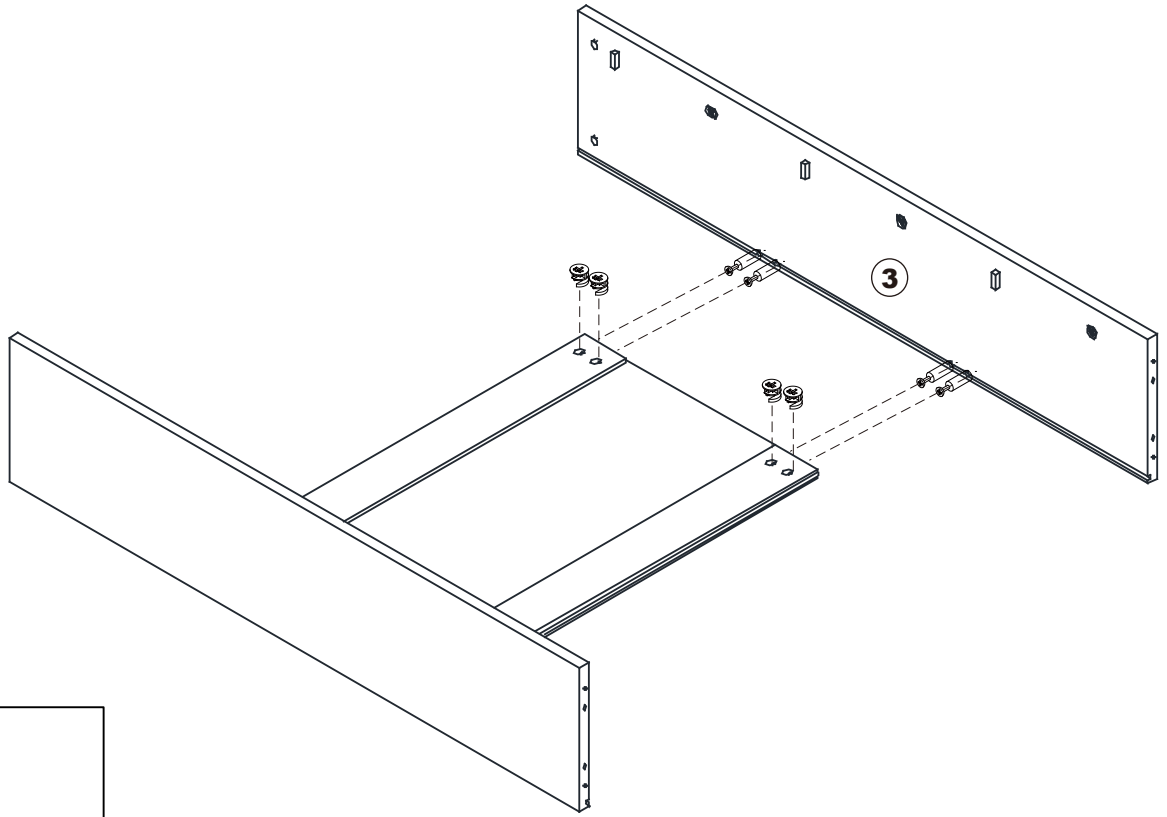
Cam lock x 4

Step 6



Assembly Instructions

Step 7

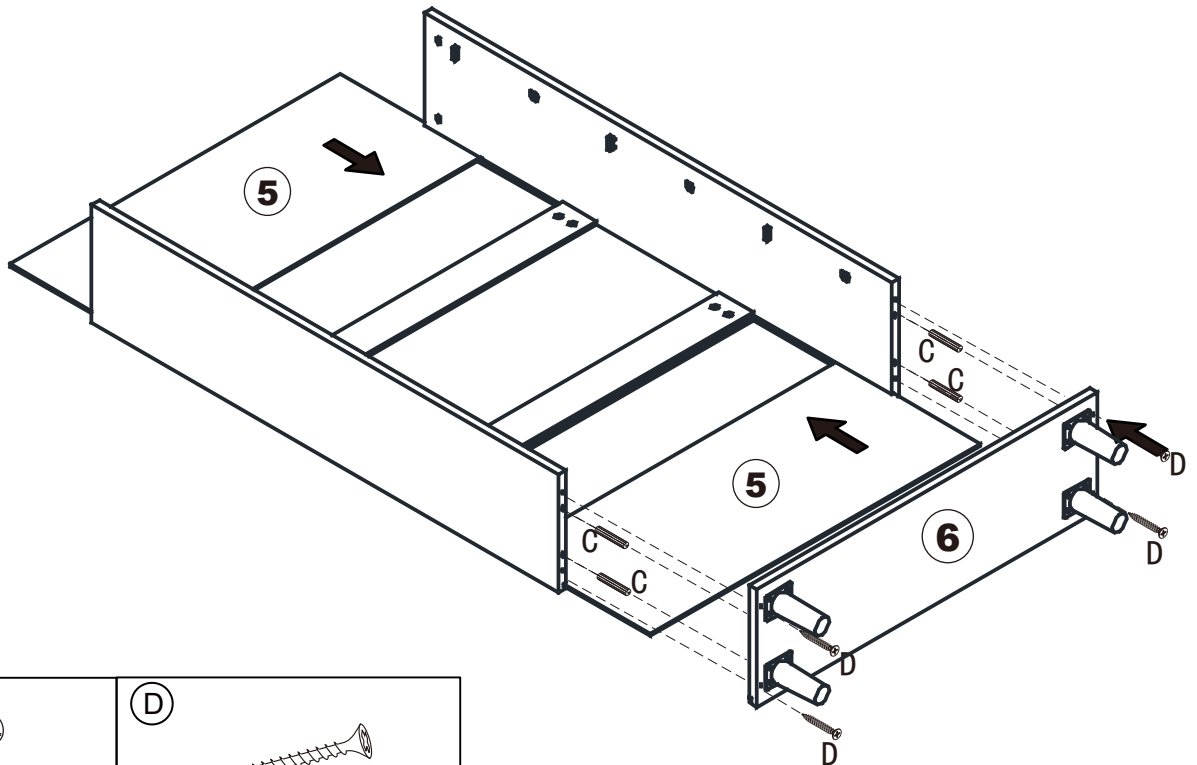


(B)

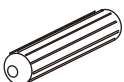


Cam lock x 4

Step 8



(C)



Dowel x 4

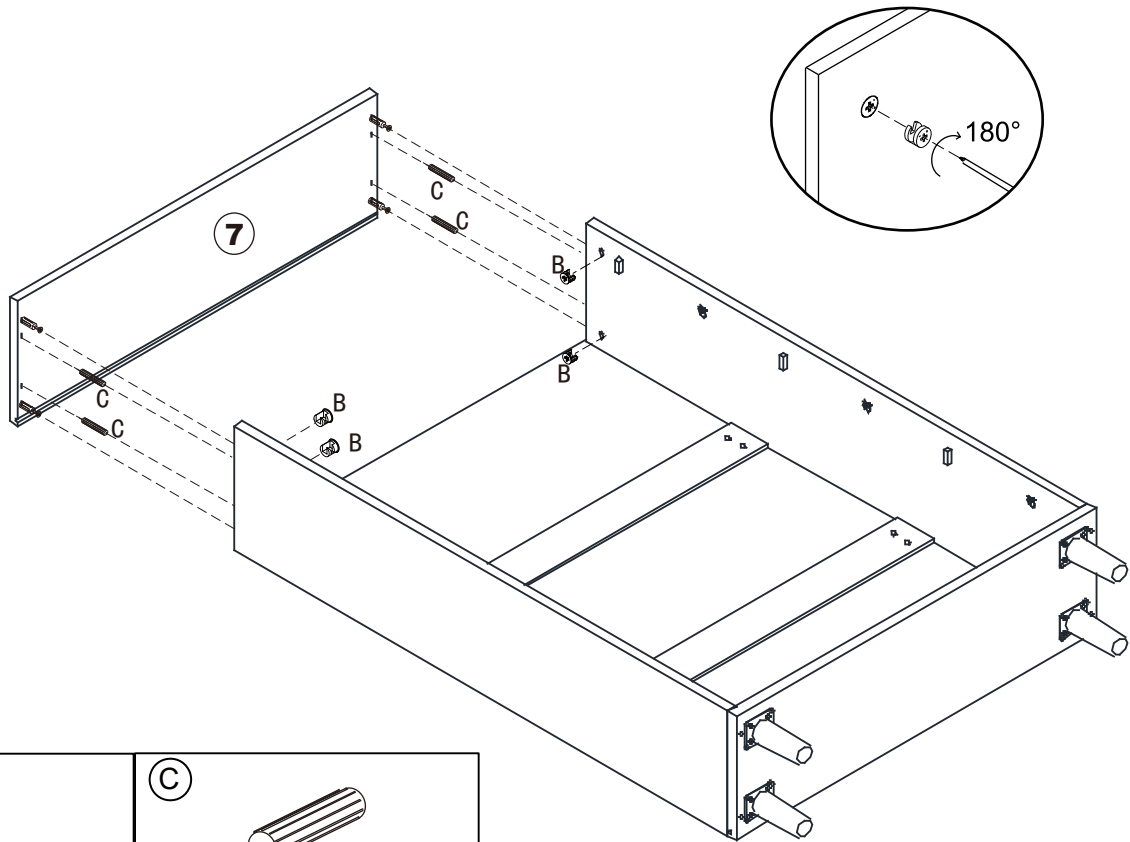
(D)



4*35mm Screw x 4

Assembly Instructions

Step 9

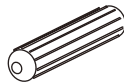


(B)



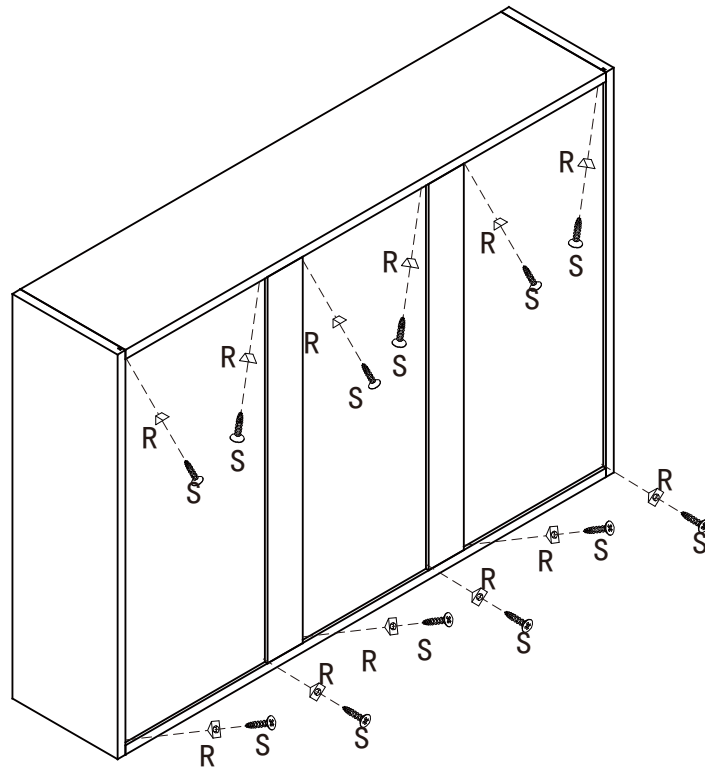
Cam lock x 4

(C)



Dowel x 4

Step 10



(R)



R x 12

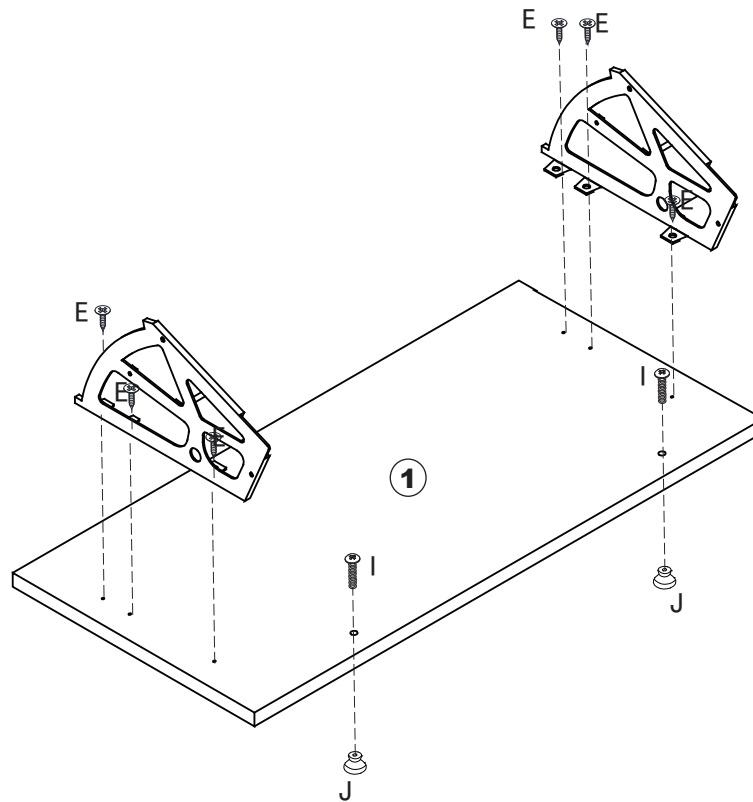
(S)



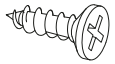
3*16mm Screw x 12

Assembly Instructions

Step 11



(E)



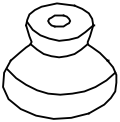
4*14mm Screw x 18

(I)

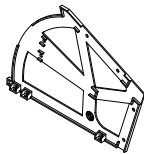


4*16mm Screw x 6

(J)

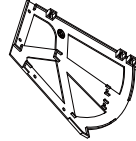


(G)



G x 3

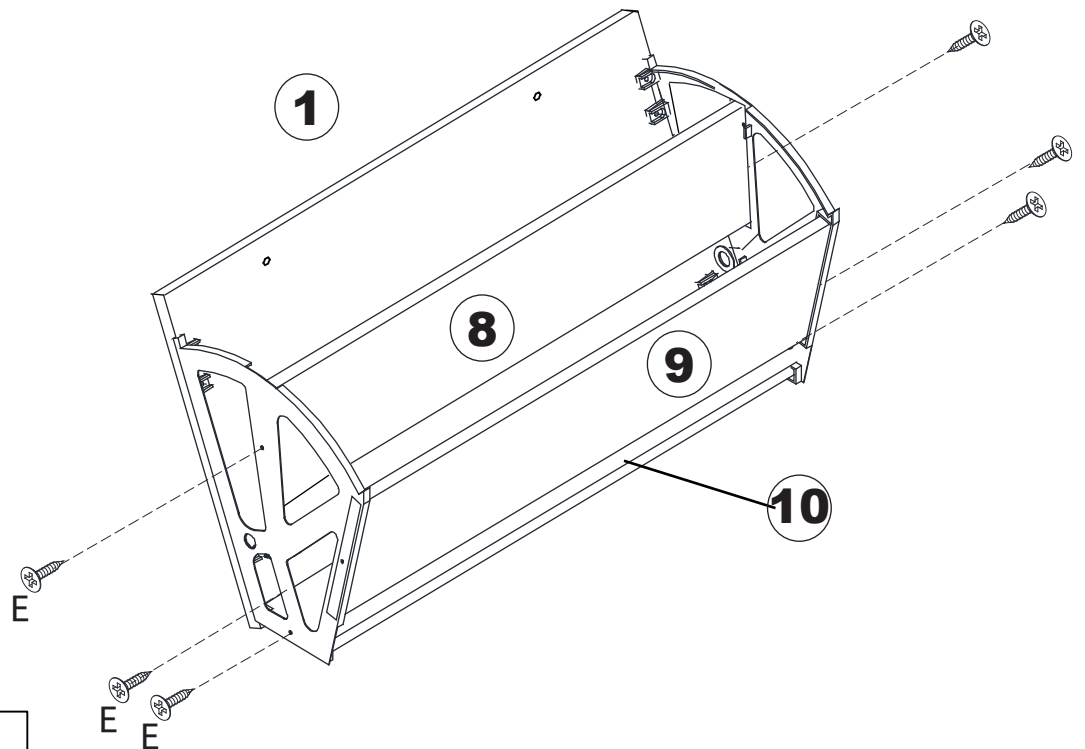
(H)



H x 3

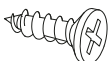
X3

Step 12



X3

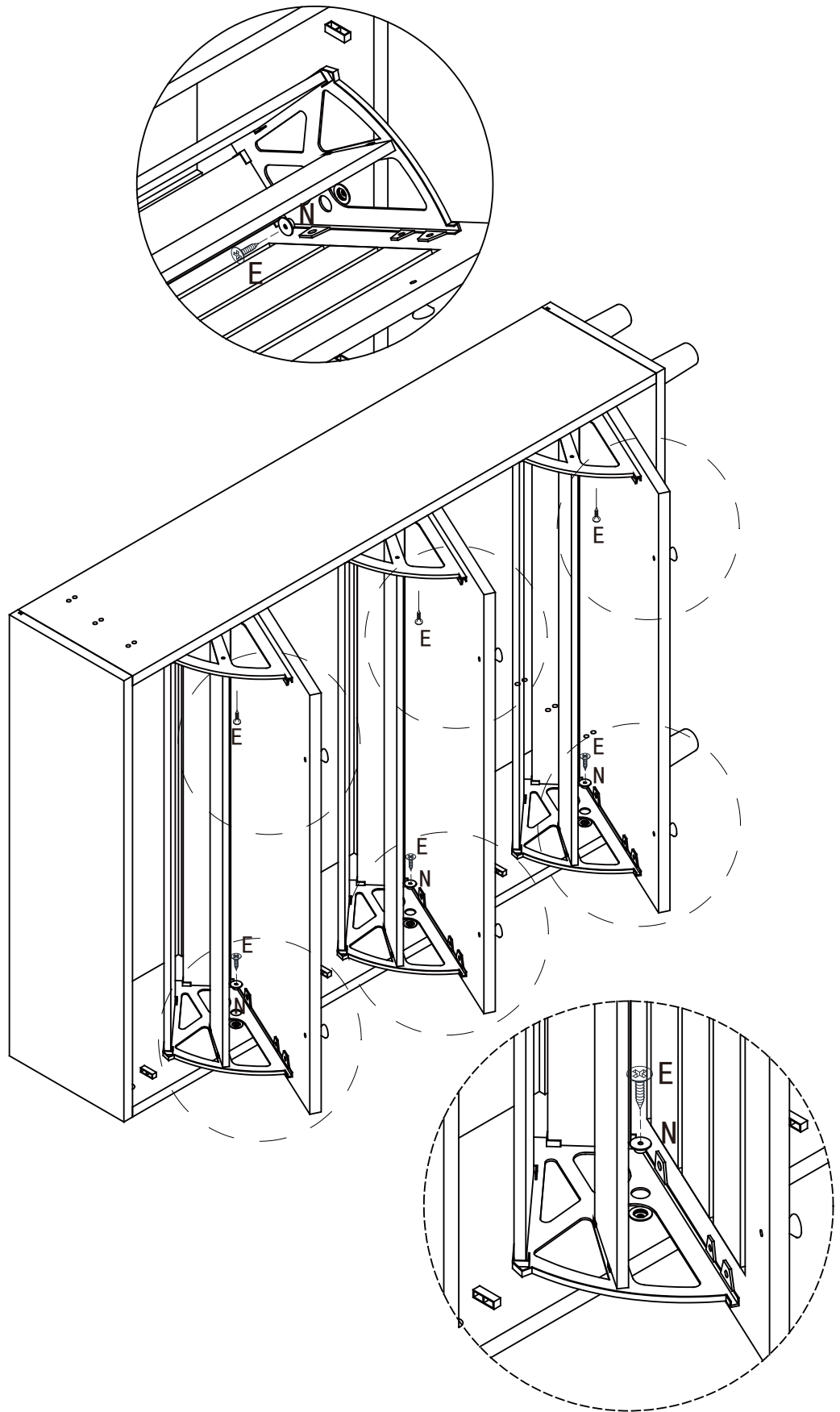
(E)

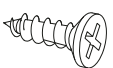



4*14mm Screw x 18

Assembly Instructions

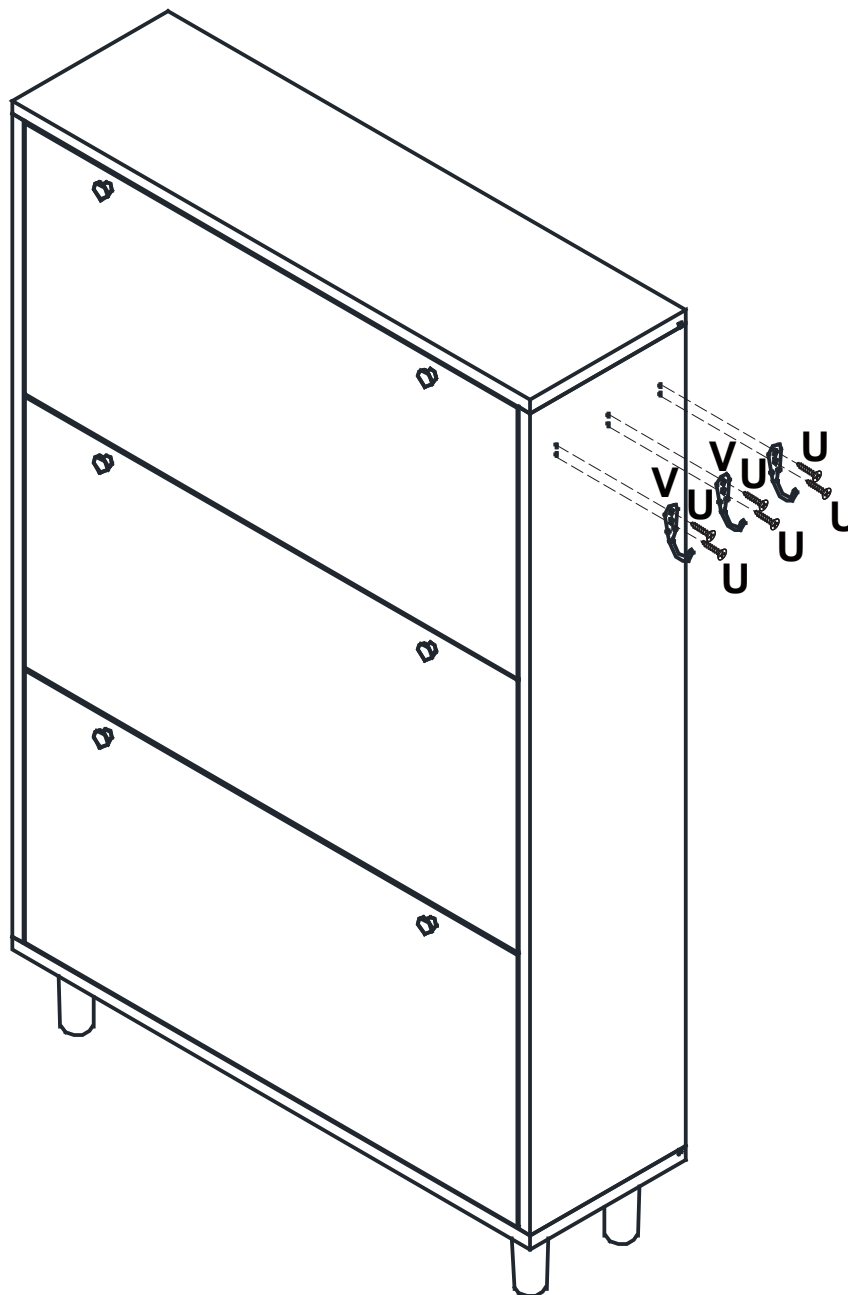
Step 13



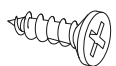
<p>(E)</p>  <p>4*14mm Screw x 6</p>	<p>(N)</p>  <p>N x 6</p>
--	---

Assembly Instructions

Step 14



U



3*12mm Screw x 6

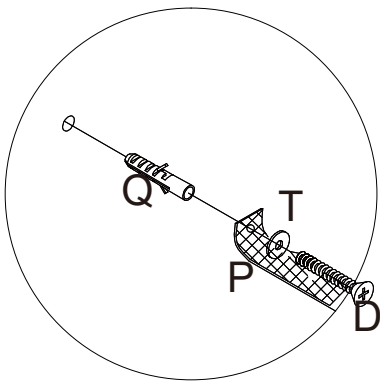
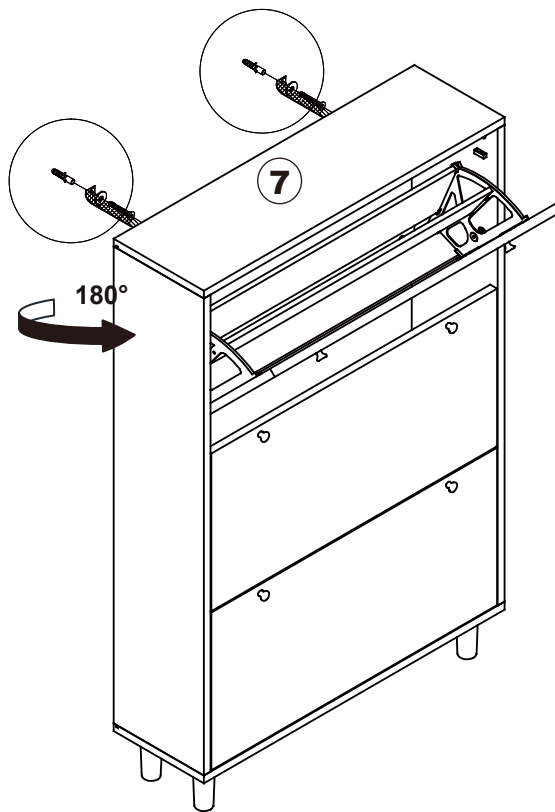
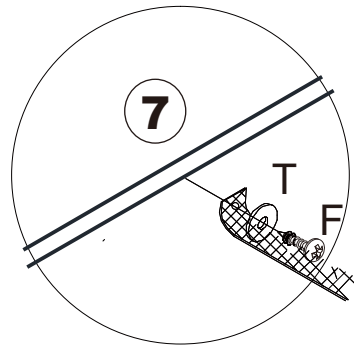
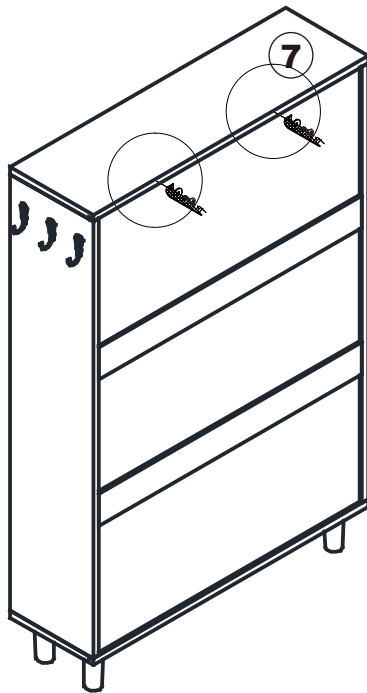
V



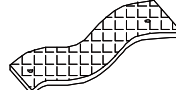
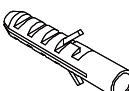



V x 3

Assembly Instructions

Step 15



<p>Ⓓ</p>  <p>4*35mm Screw x 2</p>	<p>Ⓕ</p>  <p>Dowel x 2</p>	<p>Ⓟ</p>  <p>Dowel x 2</p>
<p>Ⓚ</p>  <p>Dowel x 2</p>	<p>Ⓣ</p>  <p>Dowel x 4</p>	

Assembly Instructions

