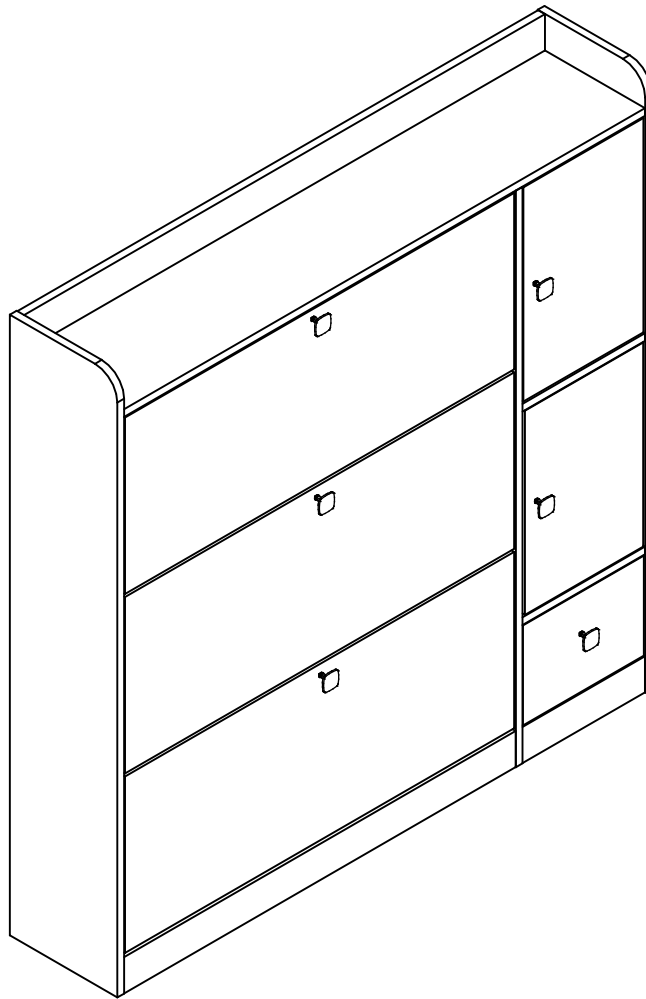


Shoe Cabinet

Assembly Instructions - Please keep for future reference



Dimensions

Width-47inch

Depth-9.44inch

Height-47.24inch

Important – Please read these instructions fully before starting assembly



Safety and Care Advice

Important – Please read these instructions fully before starting assembly

- Check you have all the components and tools listed on the following pages.
- Remove all fittings from the plastic bags and separate them into their groups.
- Keep children and animals away from the work area, small parts could choke if swallowed.
- Make sure you have enough space to layout the parts before starting.

- During assembly do not stand or put weight on the product, this could cause damage.
- Assemble the item as close to its final position (in the same room) as possible.
- Assemble on a soft level surface to avoid damaging the unit or your floor.
- Parts of the assembly will be easier with 2 people.



- To reduce the likelihood of damaging your product please ensure that your power drill is set on a low torque setting.

Care and maintenance

- Only clean using a damp cloth and mild detergent, do not use bleach or abrasive cleaners.
- From time to time check that there are no loose screws on this unit.
- This product should not be discarded with household waste. Take to your local authority waste disposal centre.

Handy Hints

- Assemble all parts and bolts loosely during assembly, only once the product is complete should you fully tighten the bolts
- Regularly check and ensure That all bolts and fittings are tightend properly.

WARNING
In order to help prevent overturning – please follow these instructions

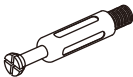

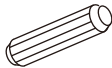
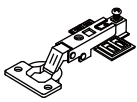
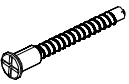

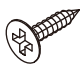
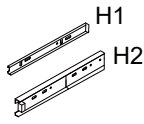
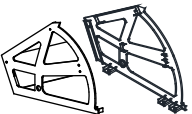


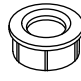


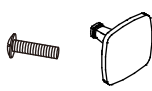
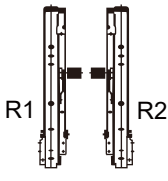

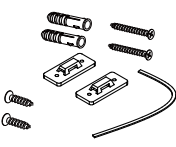
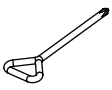
To help prevent product toppling over please follow the below steps:-

- Use the anti tip stap or wall fixing method provided (if applicable)
- Do not allow children to climb or hang on the furniture
- Do not open more than one drawer at a time
- Do not place heavy items in the top drawers
- Do not place heavy items on top of the furniture, unless the furniture has been designed for this purpose

Components-Fittings

Please check you have all the panels listed below

Note: The quantities below are the correct amount to complete the assembly. In some cases more fittings may be supplied than are required.

<p>(A)</p>  <p>Cam Bolt x 53+2</p>	<p>(B)</p>  <p>Cam Lock x 53+2</p>	<p>(C)</p>  <p>8*30mm Dowel x 9+2</p>	<p>(D)</p>  <p>Hinge x 2</p>
<p>(E)</p>  <p>5*40mm Screw x 2</p>	<p>(F)</p>  <p>3.5*40mm Screw x 4+1</p>	<p>(G)</p>  <p>3.5*14mm Screw x 88+4</p>	<p>(H)</p>  <p>195mm Drawer slide x 1</p>
<p>(J)</p>  <p>Tipping shoe rack x 3</p>	<p>(K)</p>  <p>Shoe rack stopper x 6</p>	<p>(L)</p>  <p>Shoe frame outer pivot x 6</p>	<p>(M)</p>  <p>Shoe rack inner pivot x 6</p>
<p>(N)</p>  <p>4*11mm Screw x 6+1</p>	<p>(P)</p>  <p>L-shaped baffle x 1</p>	<p>(Q)</p>  <p>Shake hands x 6+1</p>	<p>(R)</p>  <p>Shoe hinge x 1</p>
<p>(S)</p>  <p>Perfect Fit x 53</p>	<p>(T)</p>  <p>Anti fall component x 2</p>	<p>(U)</p>  <p>Screwdriver x 1</p>	

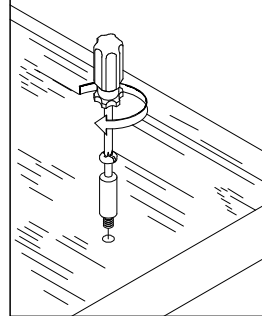
Using Camlocks

Step 1

Connect the male camlock as directed in the assembly instructions using a screwdriver.

1

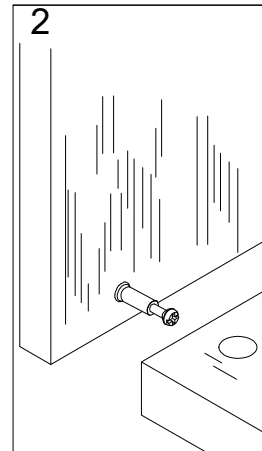
DO NOT OVER TIGHTEN.
NE PAS SERRER EXCESSIVEMENT.



Step 2

Push the male camlock into the entry hole.

2

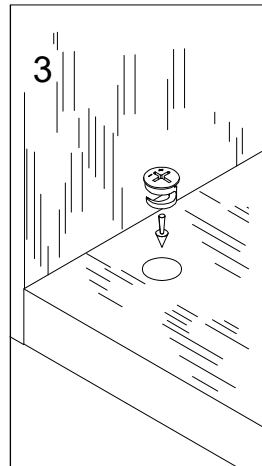


Step 3

Insert the female camlock as shown in the instruction.

Note: ensure that the arrow on the top of the camlock points towards the entry hole for the male camlock.

3



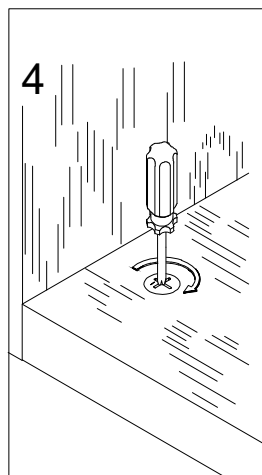
Step 4

Turn the female camlock clockwise with a screwdriver.

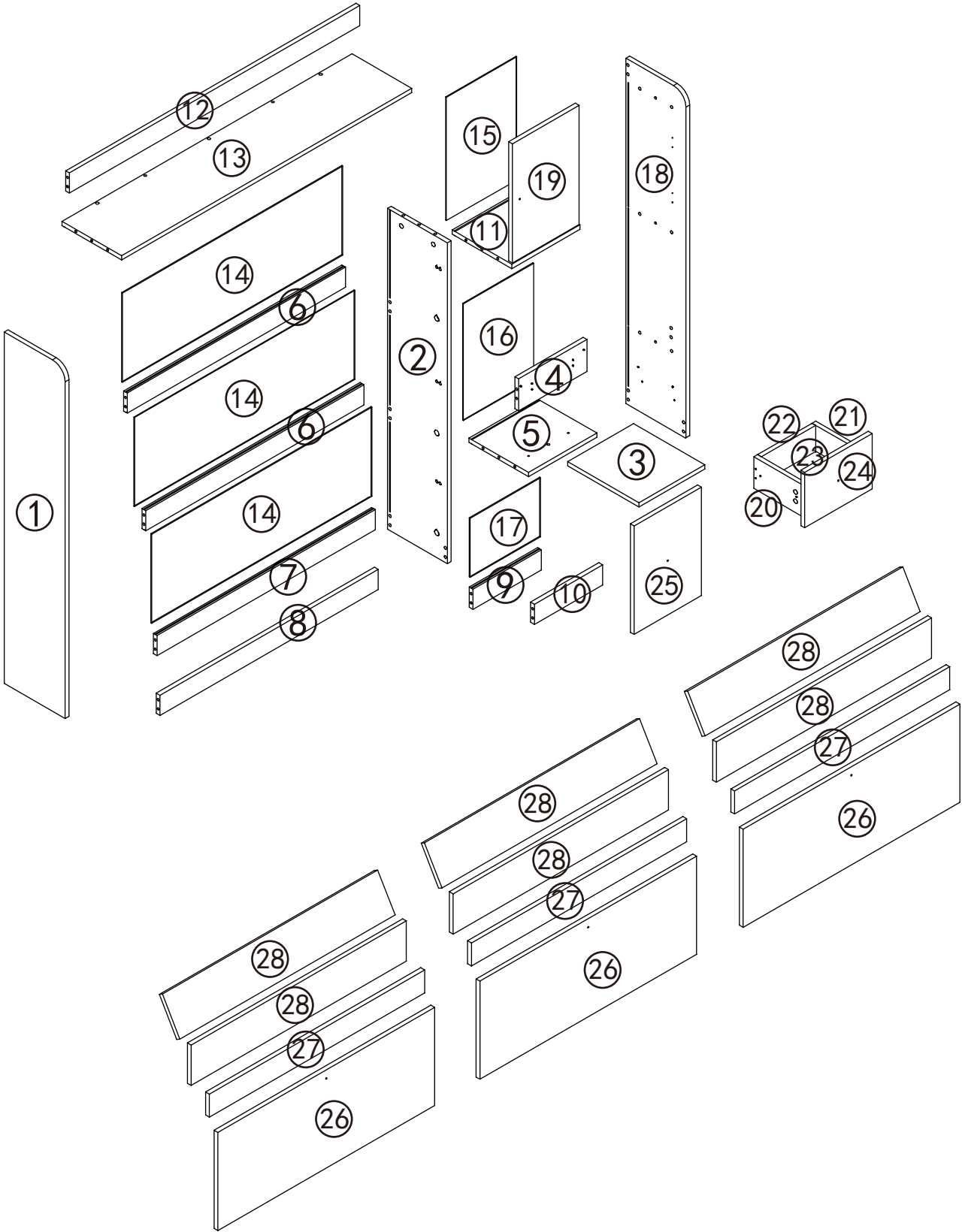
You should feel a click when the camlock is locked in place.

The joint is now secure.

4

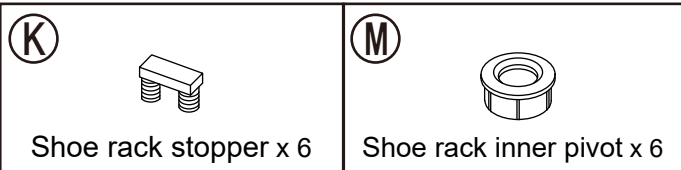
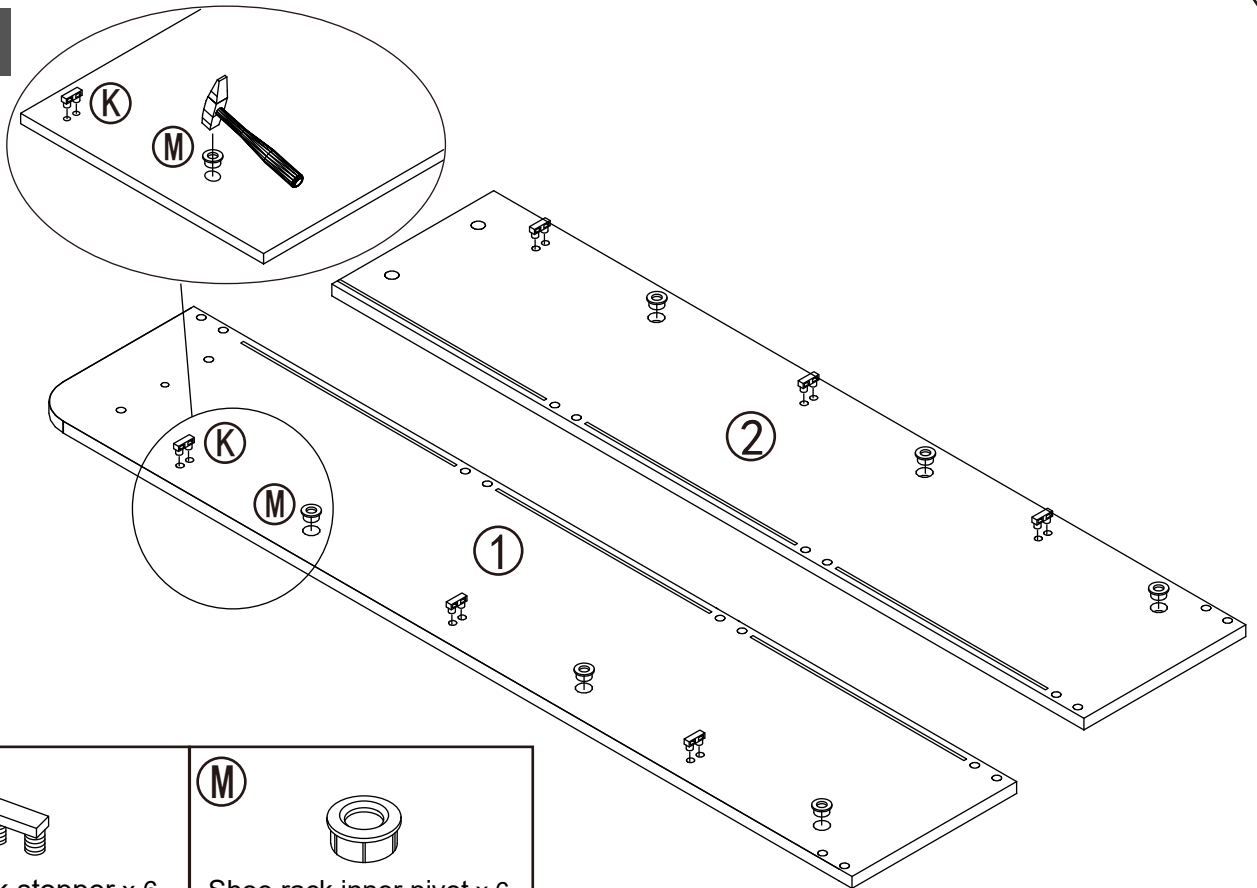


Assembly Instructions

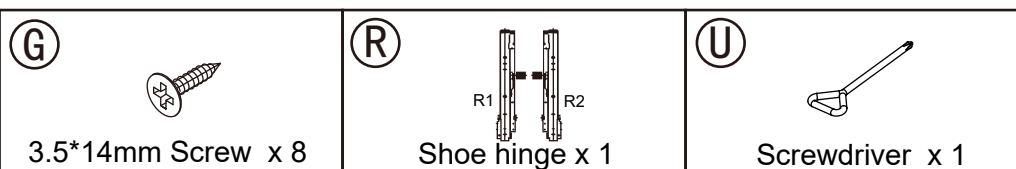
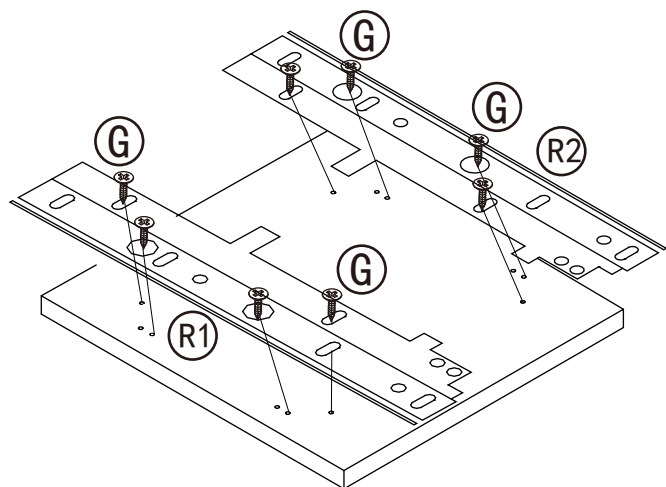
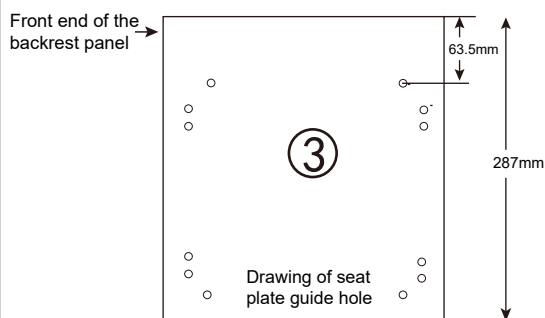
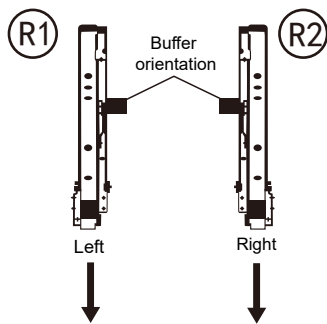


Assembly Instructions

Step 1

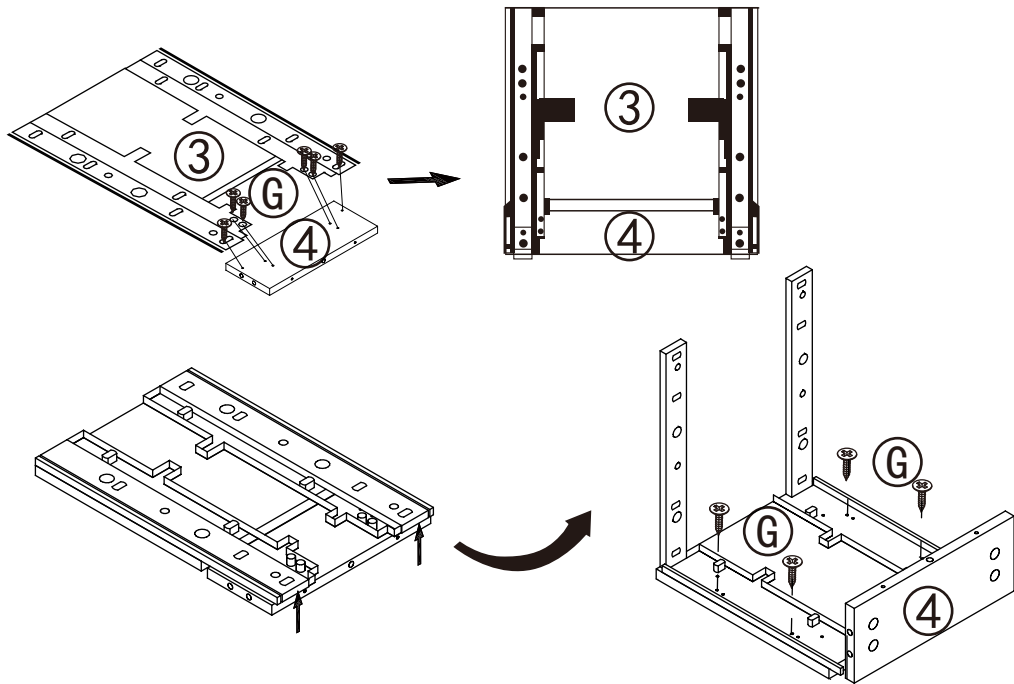


Step 2



Assembly Instructions

Step 3

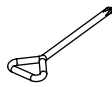


G



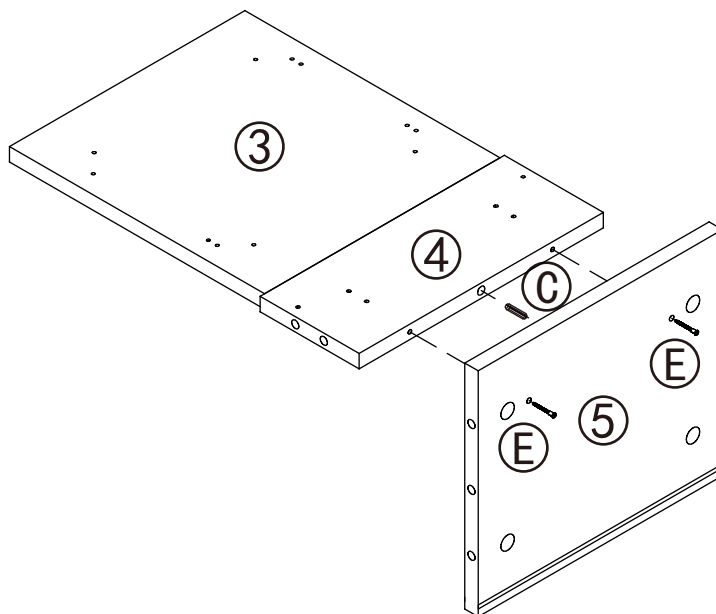
3.5*14mm Screw x 10

U

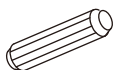


Screwdriver x 1

Step 4



C



8*30mm Dowel x 1

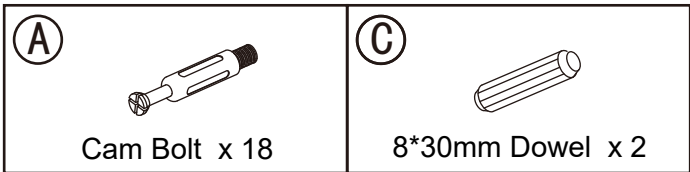
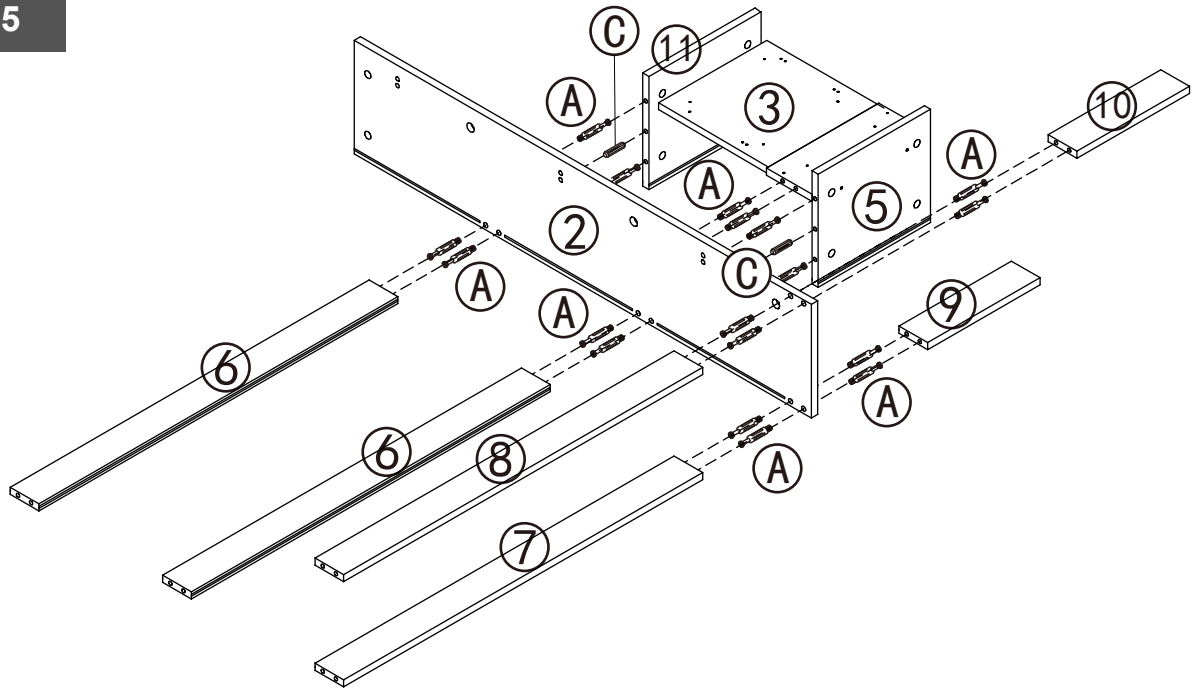
E



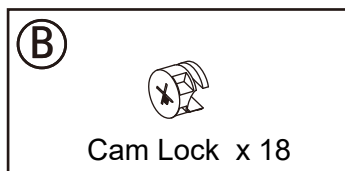
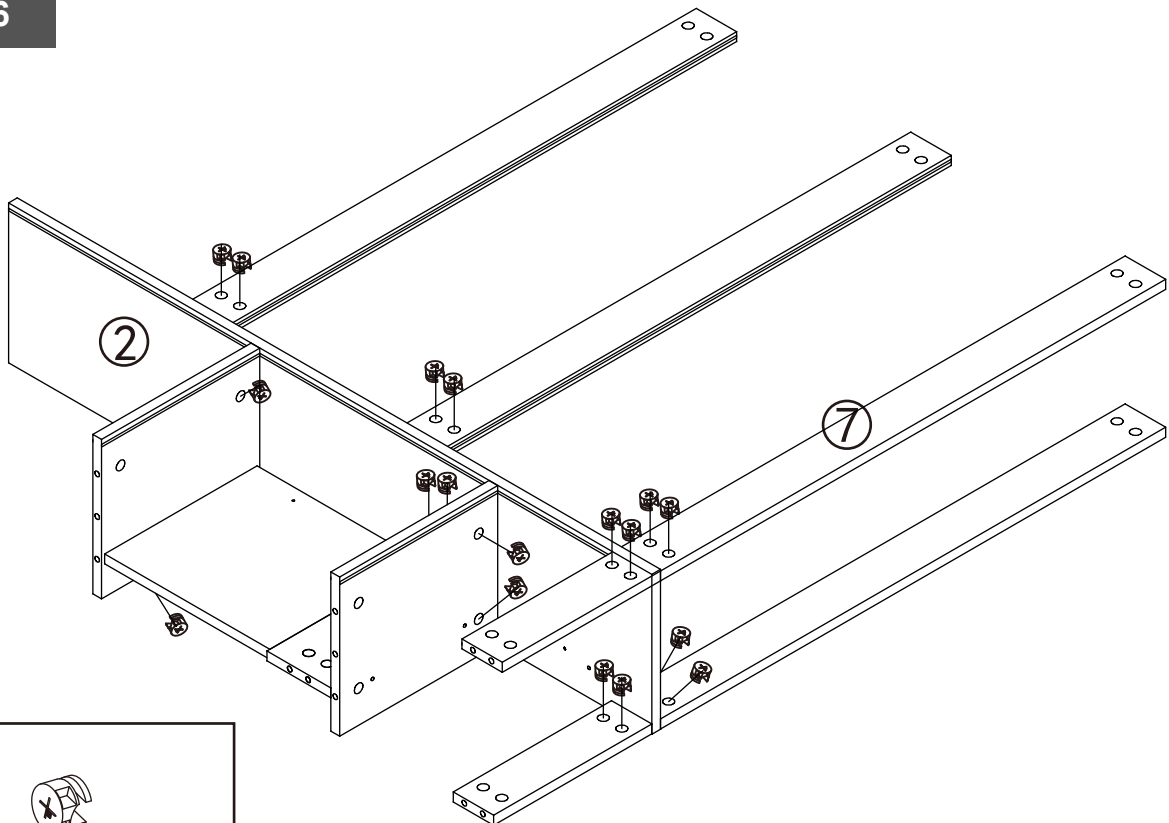
5*40mm Screw x 2

Assembly Instructions

Step 5

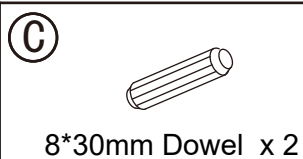
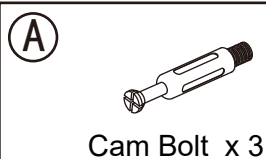
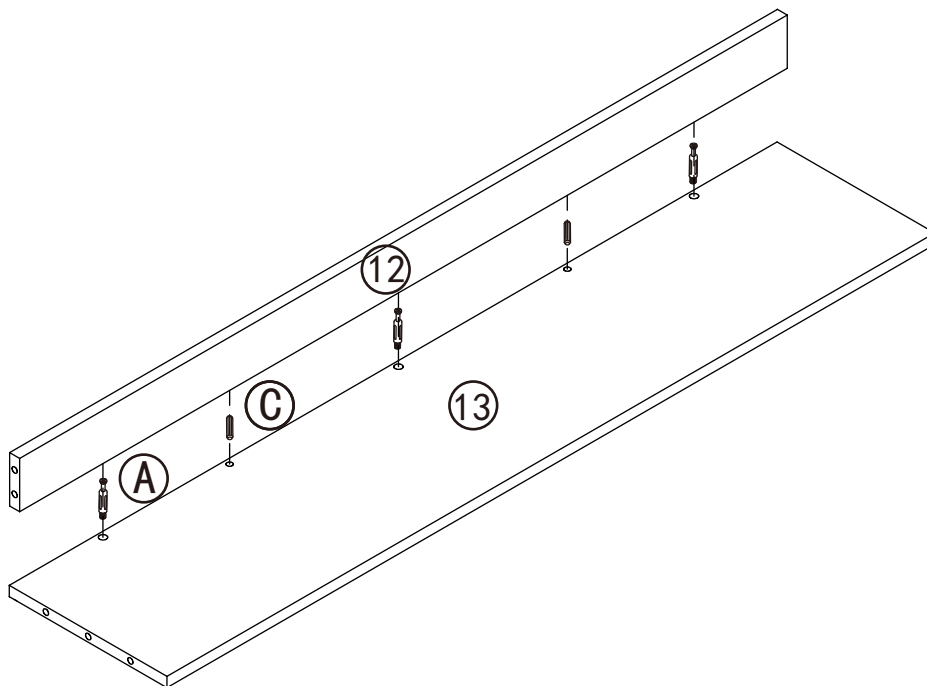


Step 6

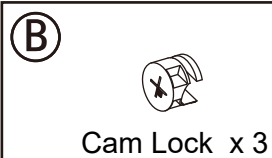
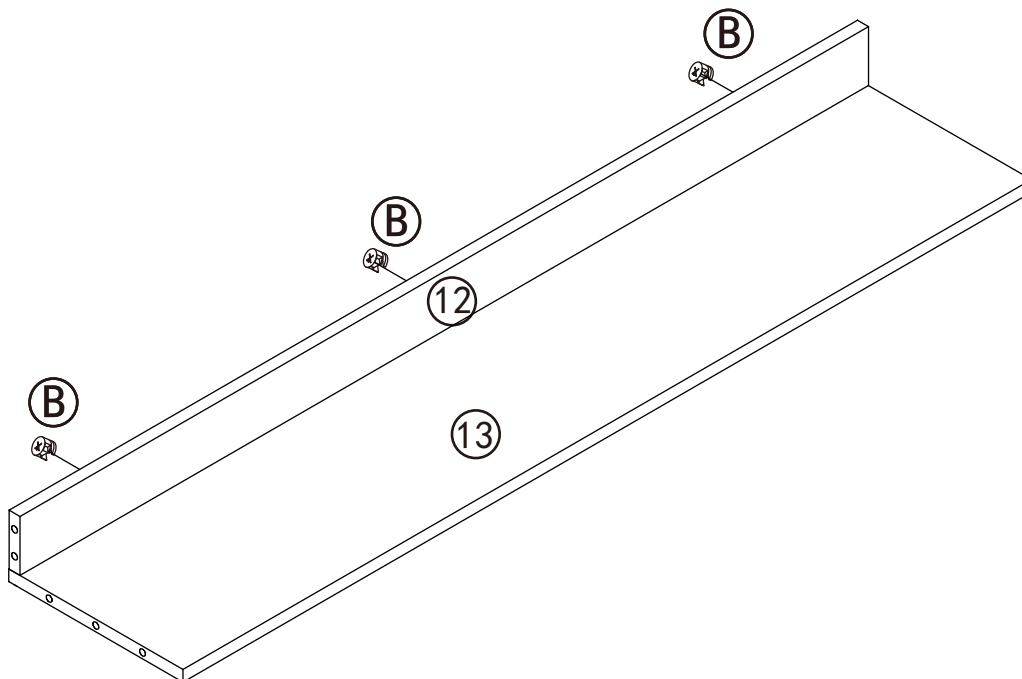


Assembly Instructions

Step 7

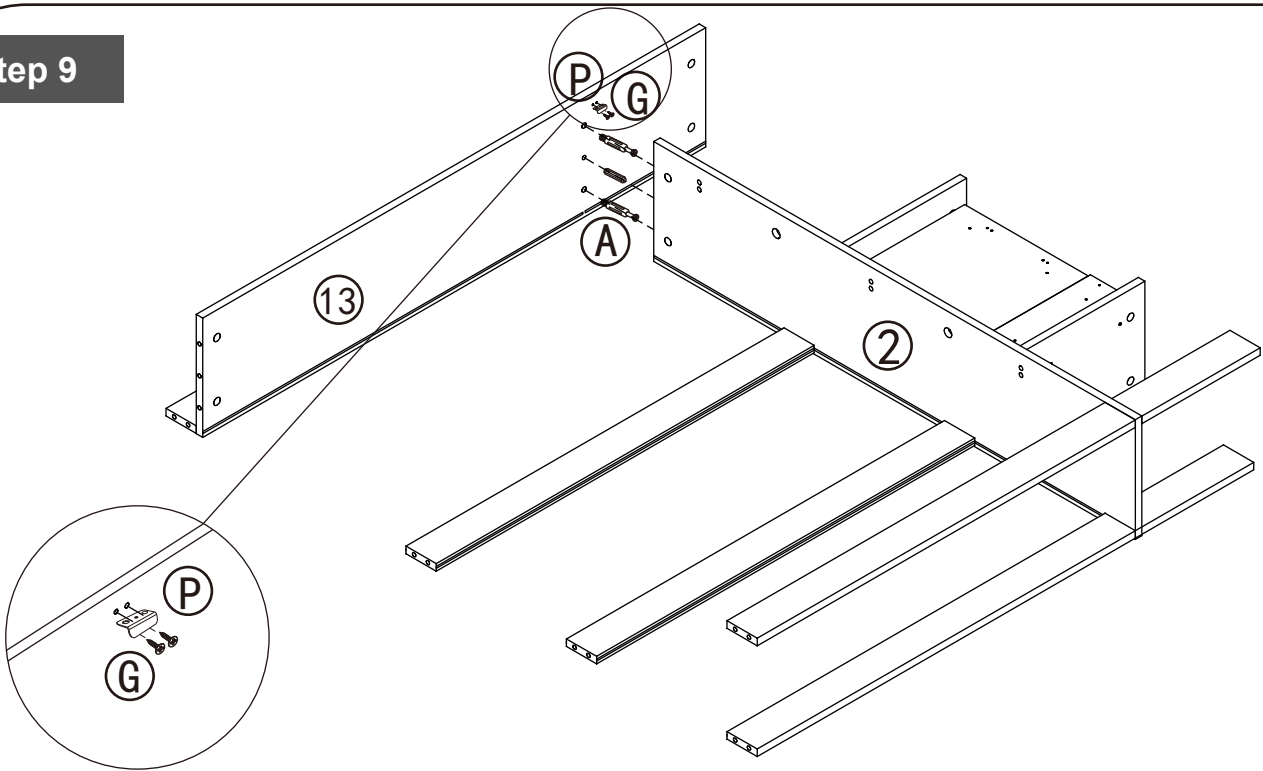


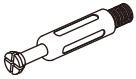
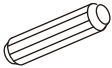


Step 8



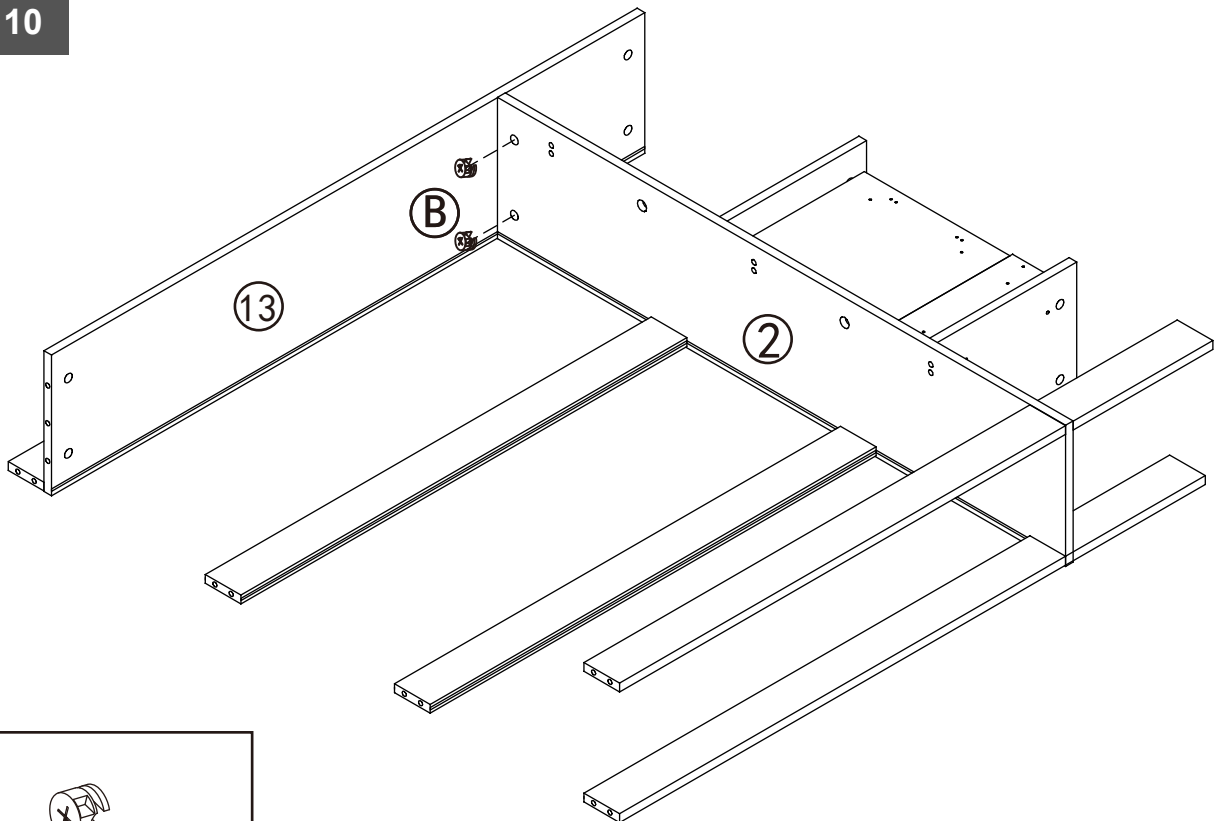
Assembly Instructions


Step 9



<p>A</p>  <p>Cam Bolt x 2</p>	<p>C</p>  <p>8*30mm Dowel x 1</p>	<p>G</p>  <p>3.5*14mm Screw x 2</p>	<p>P</p>  <p>L-shaped baffle x 1</p>
---	---	--	--

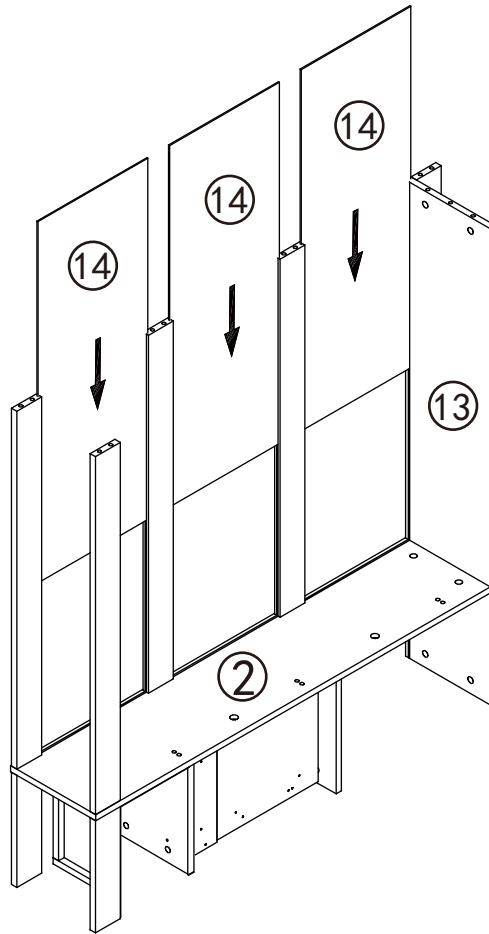
Step 10



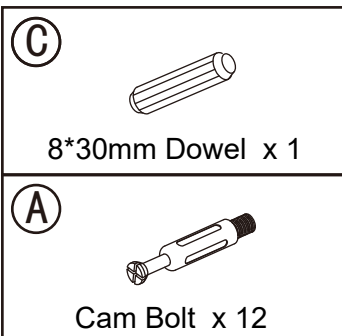
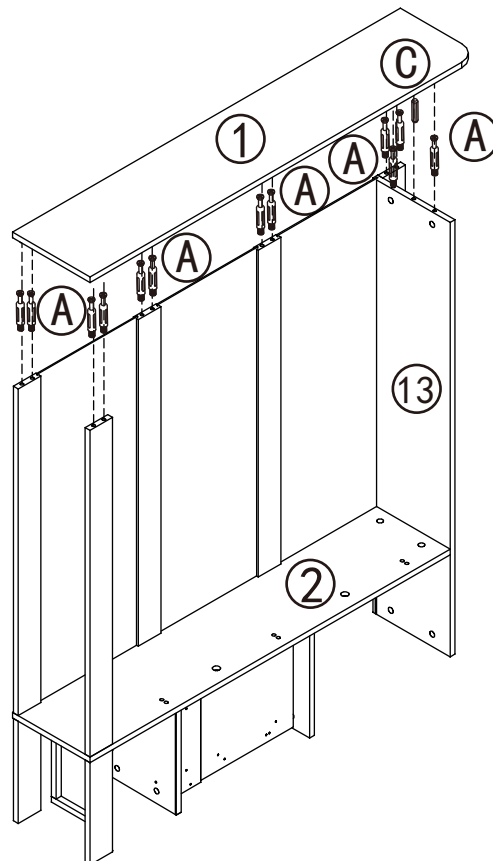
<p>B</p>  <p>Cam Lock x 2</p>

Assembly Instructions

Step 11

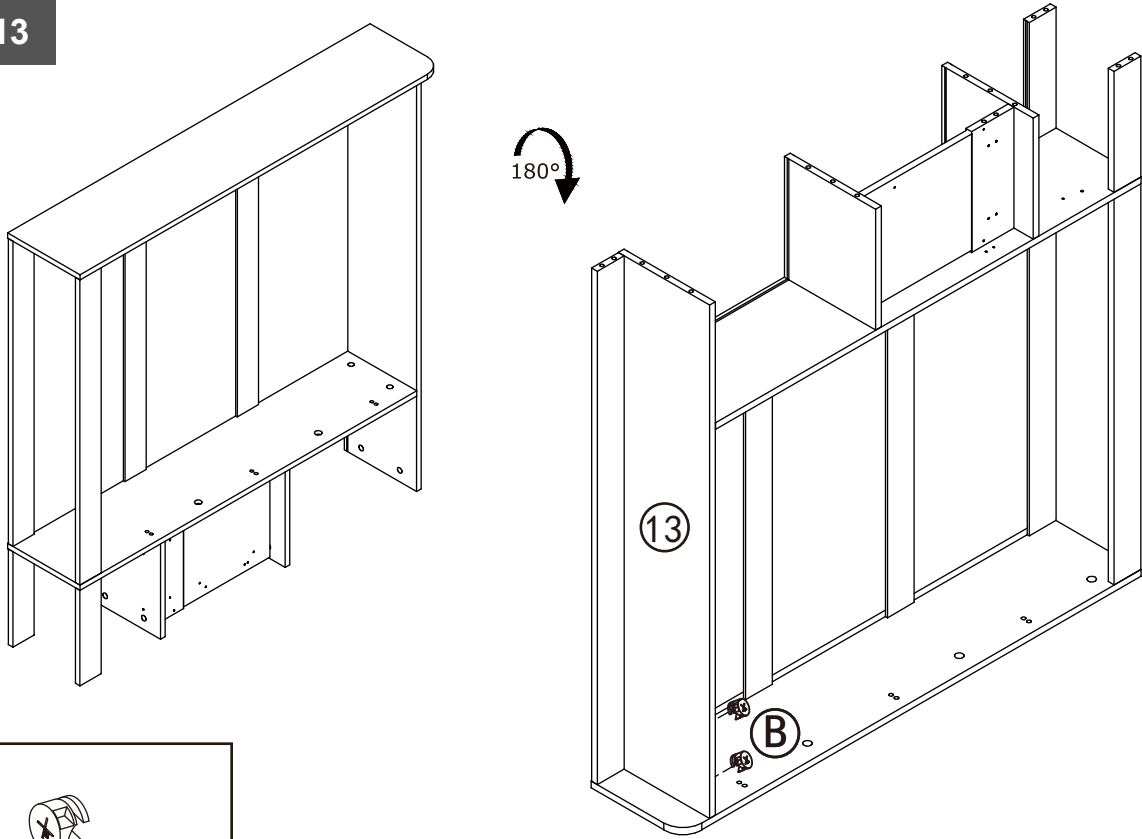


Step 12



Assembly Instructions

Step 13

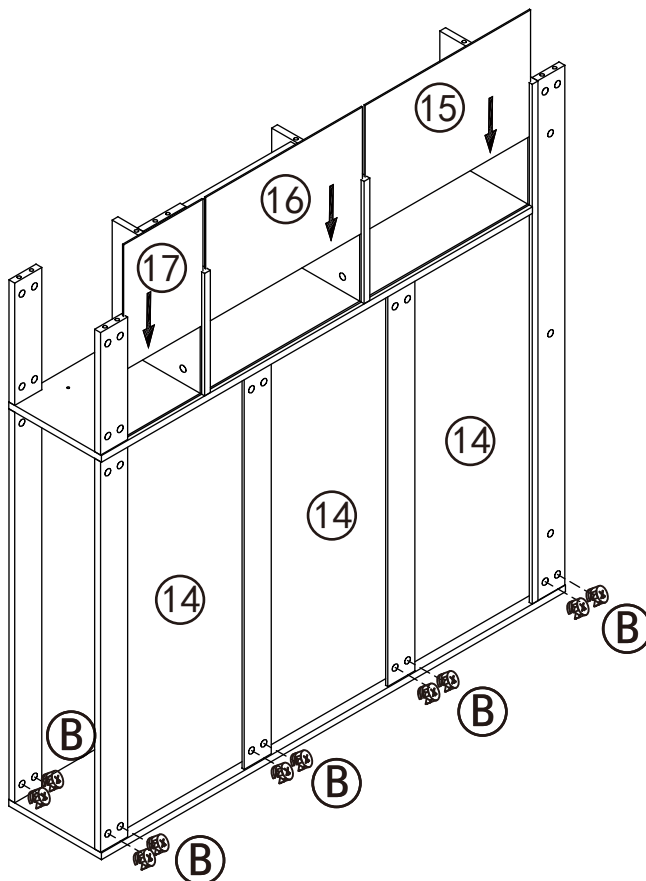


(B)



Cam Lock x 2

Step 14



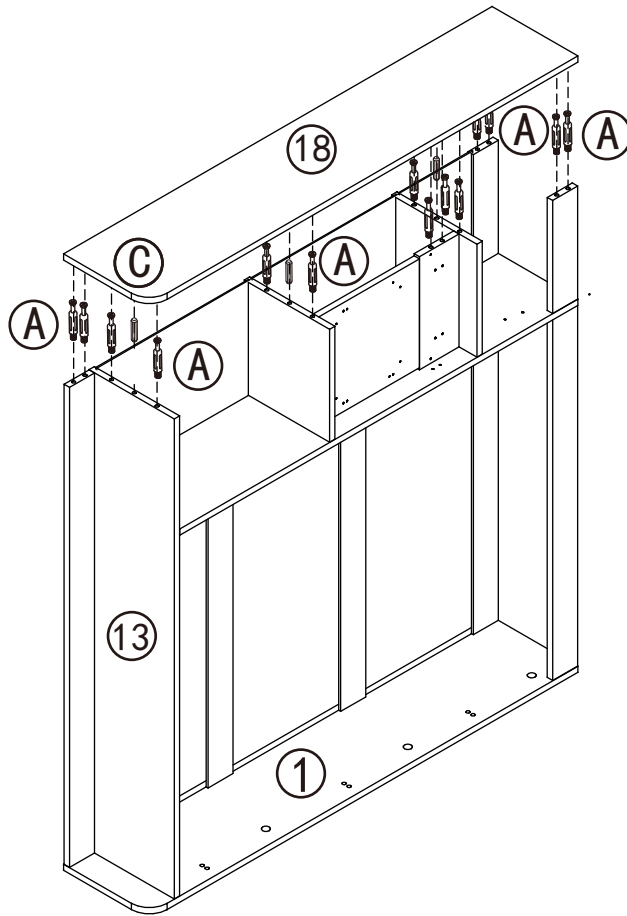
(B)



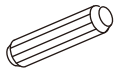
Cam Lock x 10

Assembly Instructions

Step 15

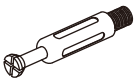


(C)



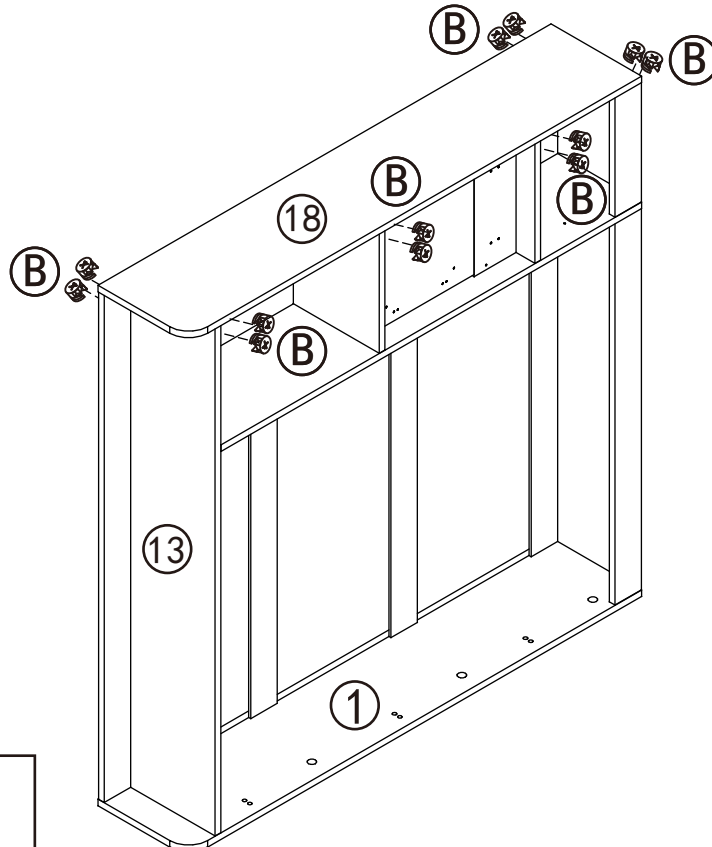
8*30mm Dowel x 2

(A)



Cam Bolt x 14

Step 16



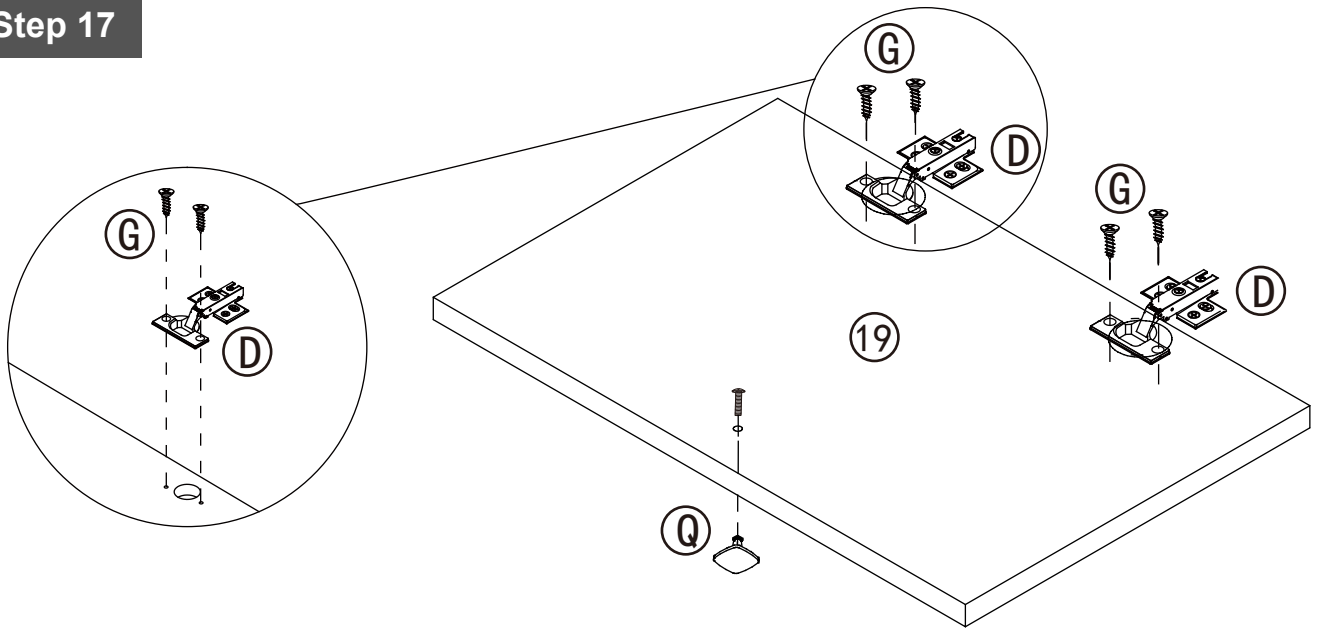
(B)



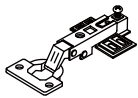
Cam Lock x 14

Assembly Instructions

Step 17



(D)



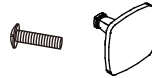
Hinge x 2

(G)



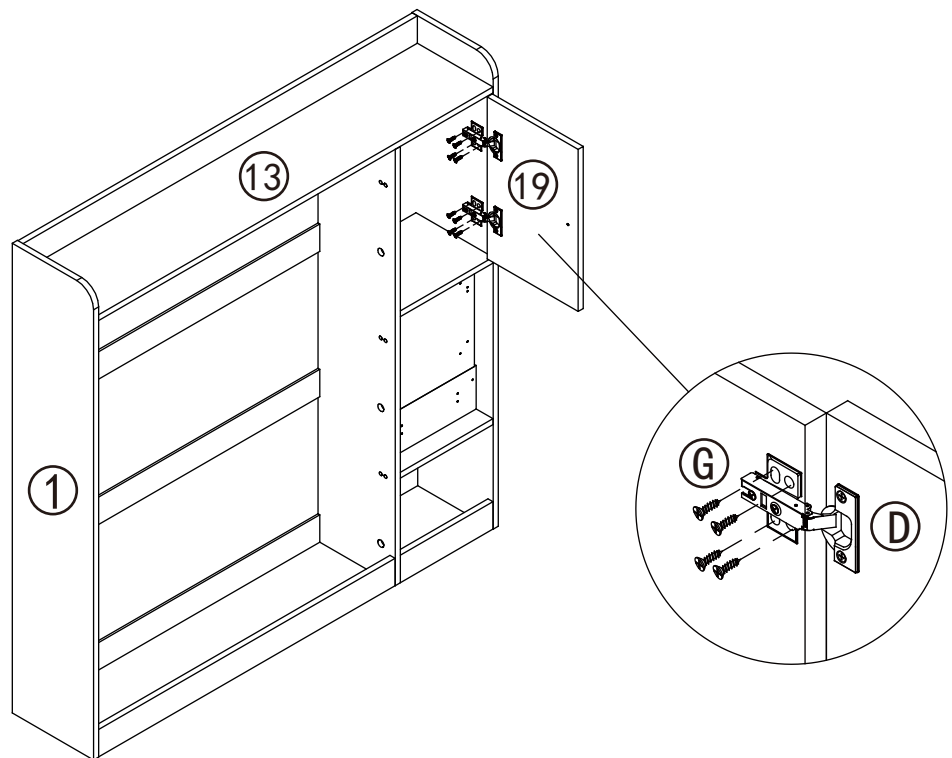
3.5*14mm Screw x 4

(Q)



Shake hands x 1

Step 18



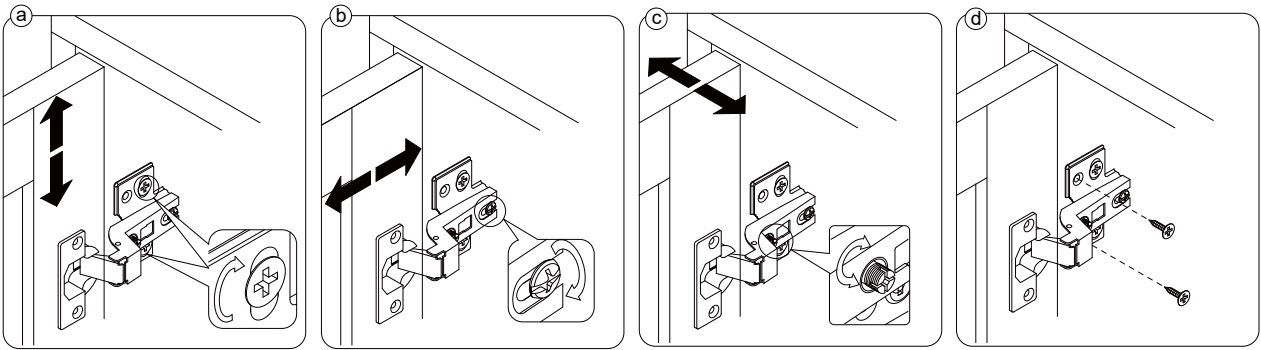
(G)



3.5*14mm Screw x 8

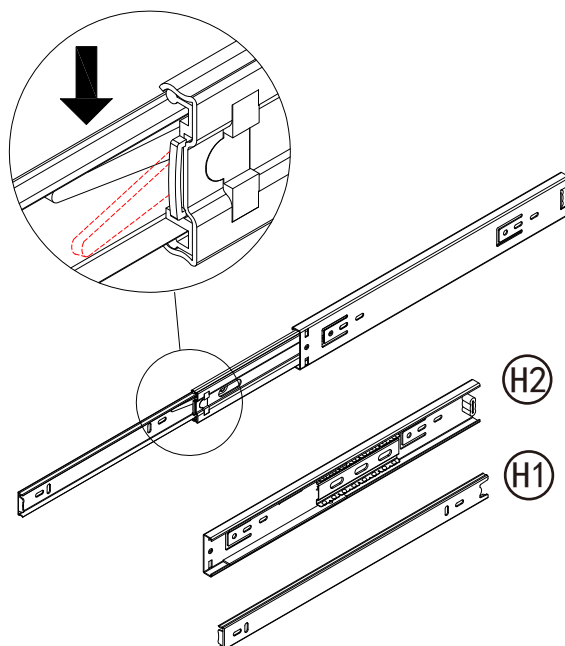
Assembly Instructions

When the hinges are installed, you can refer to the pictures to adjust crevice of the doors till it's perfect:



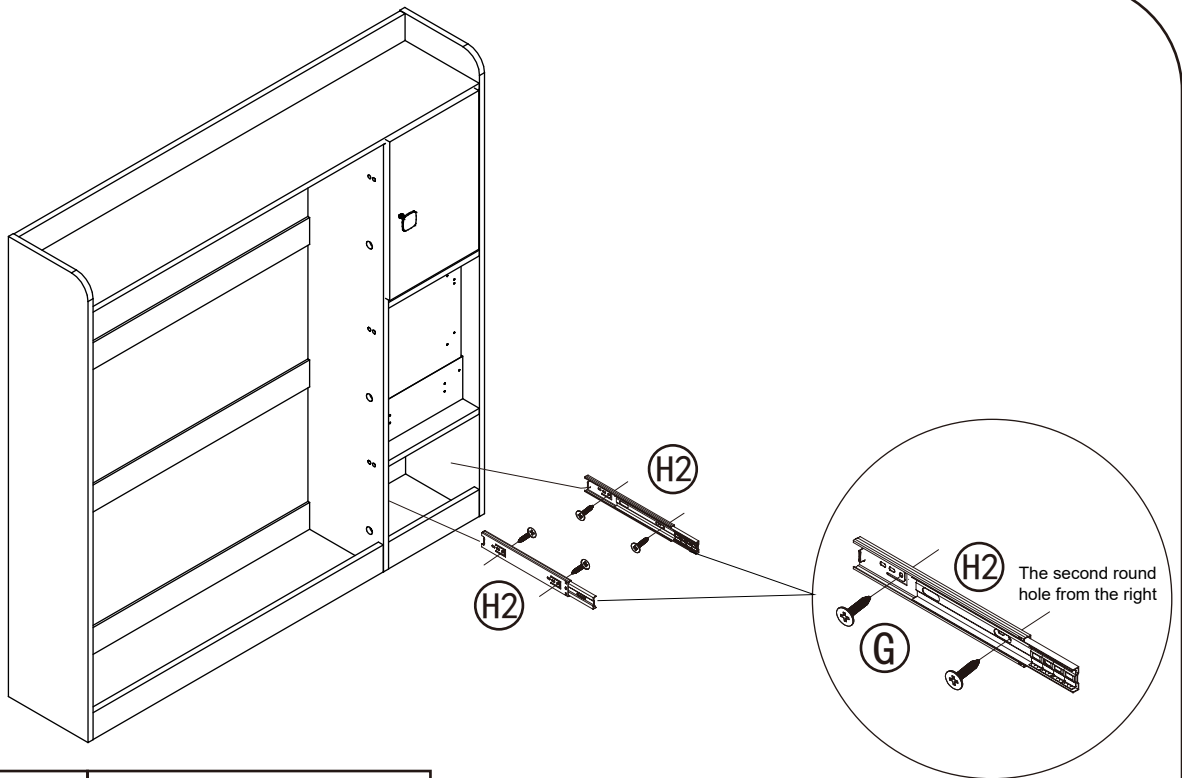
1. To adjust the doors up and down, please refer to step (a)
2. To adjust the distance between the doors and side panels, please refer to step (b)
3. To adjust the gap between two doors, please refer to step (c)
4. After the adjustment finished, please tight the screws, refer to step (d)


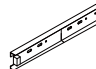
Step 19



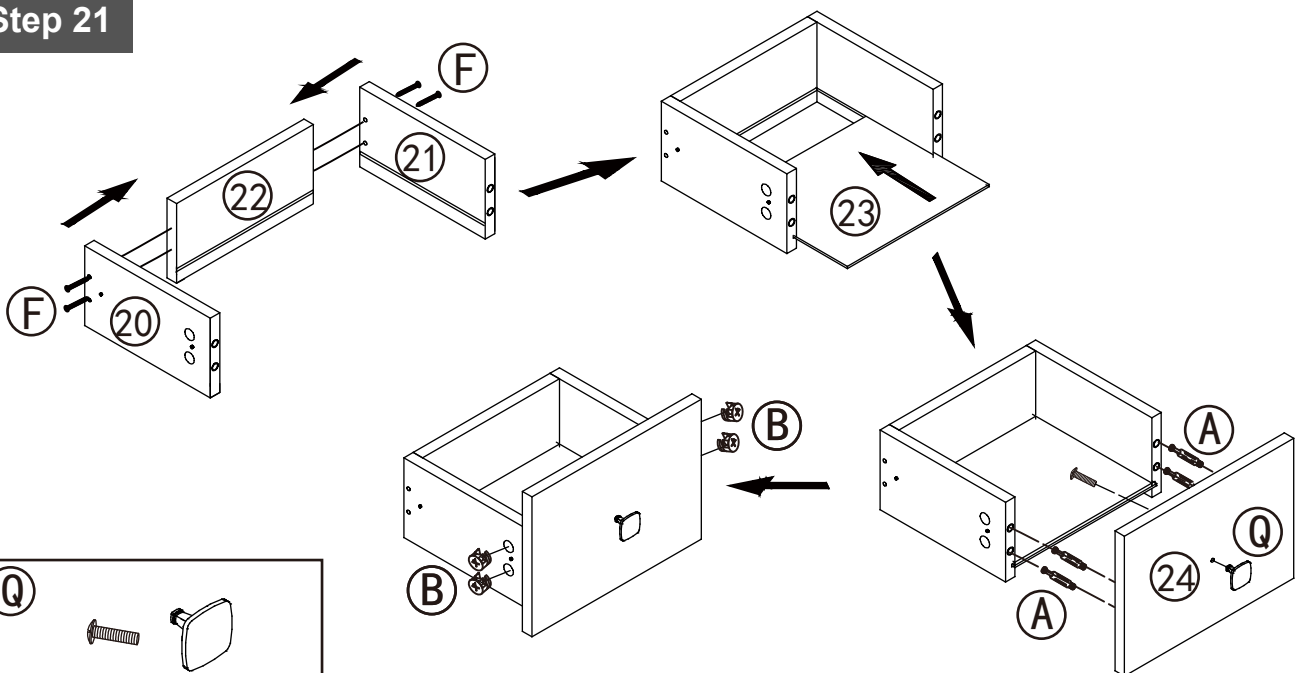
Assembly Instructions

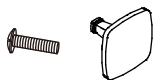
Step 20

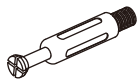




<p>(G)</p>  <p>3.5*14mm Screw x 4</p>	<p>(H2)</p>  <p>195mm Drawer slide x 2</p>
---	--

Step 21

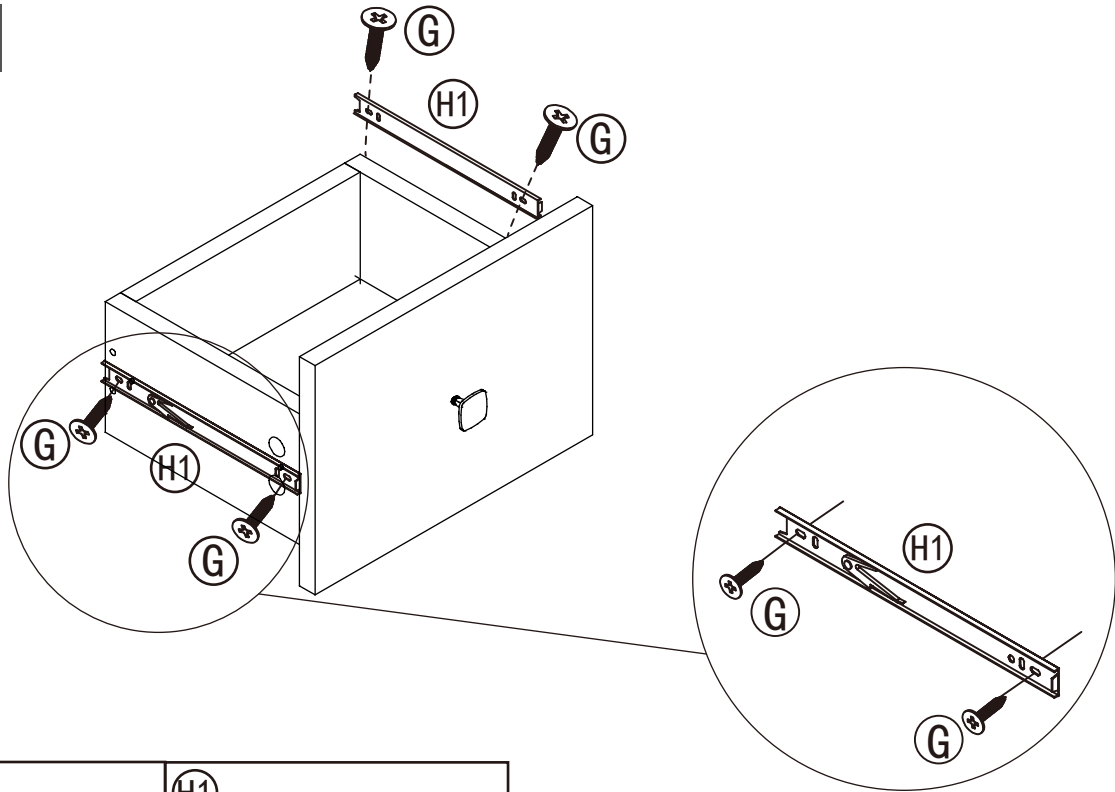



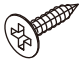

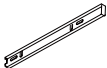
<p>(Q)</p>  <p>Shake hands x 1</p>
--

<p>(A)</p>  <p>Cam Bolt x 4</p>	<p>(B)</p>  <p>Cam Lock x 4</p>	<p>(F)</p>  <p>3.5*40mm Screw x 4</p>
---	---	--

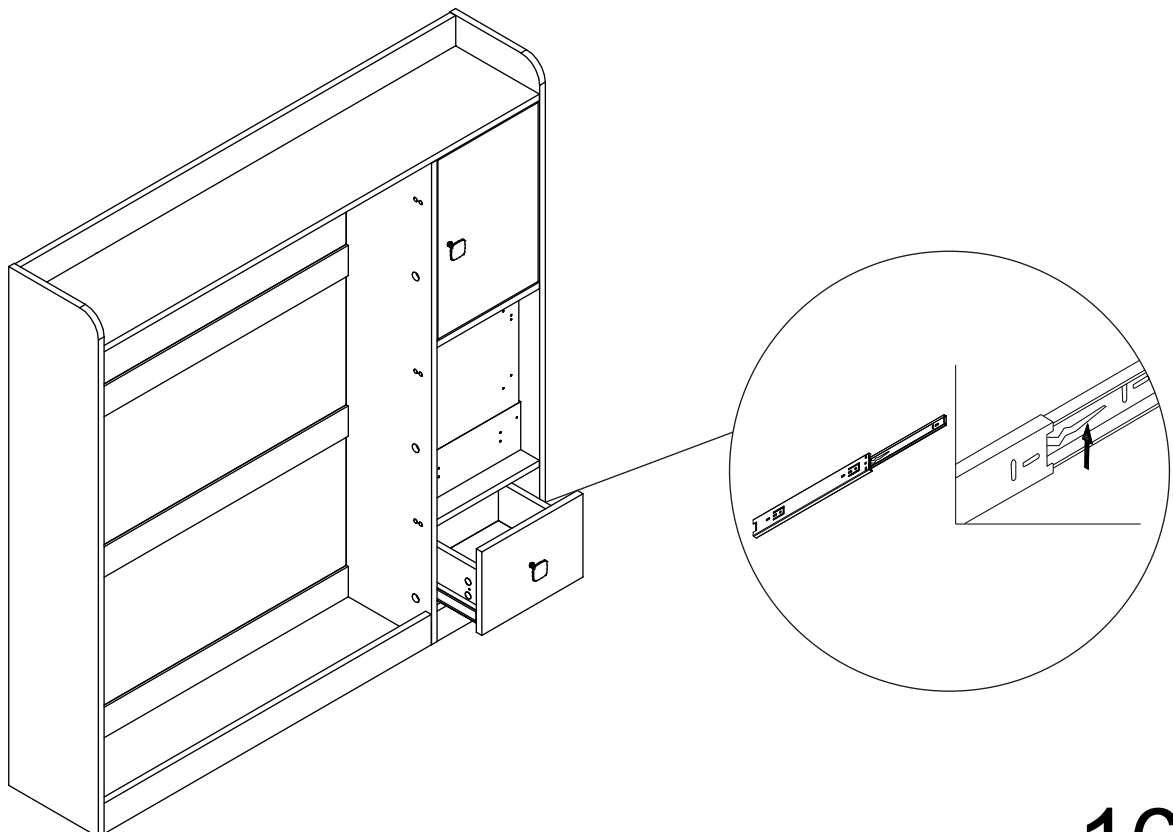
Assembly Instructions

Step 22



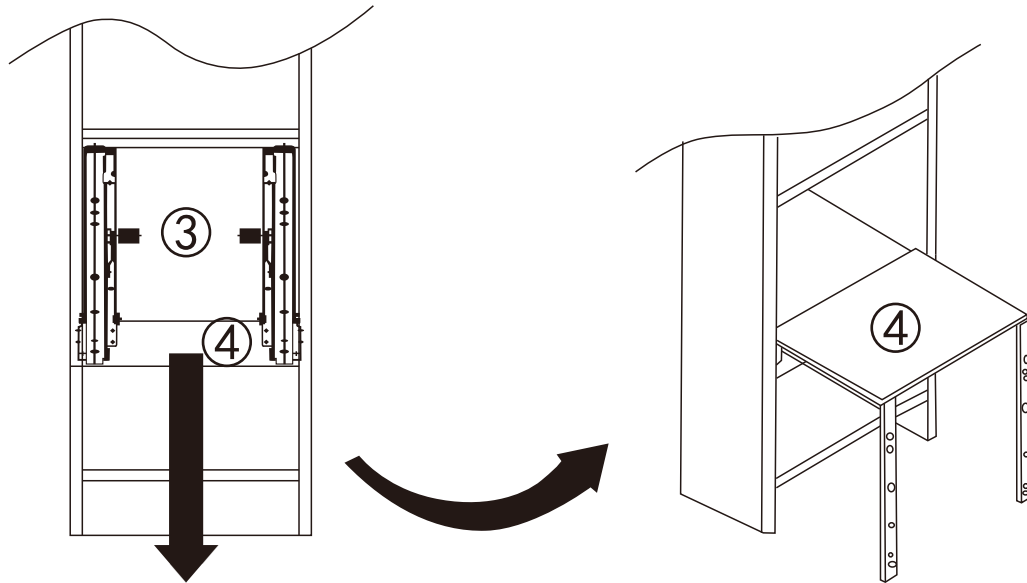
  3.5*14mm Screw x 4	  195mm Drawer slide x 2
--	--

Step 23

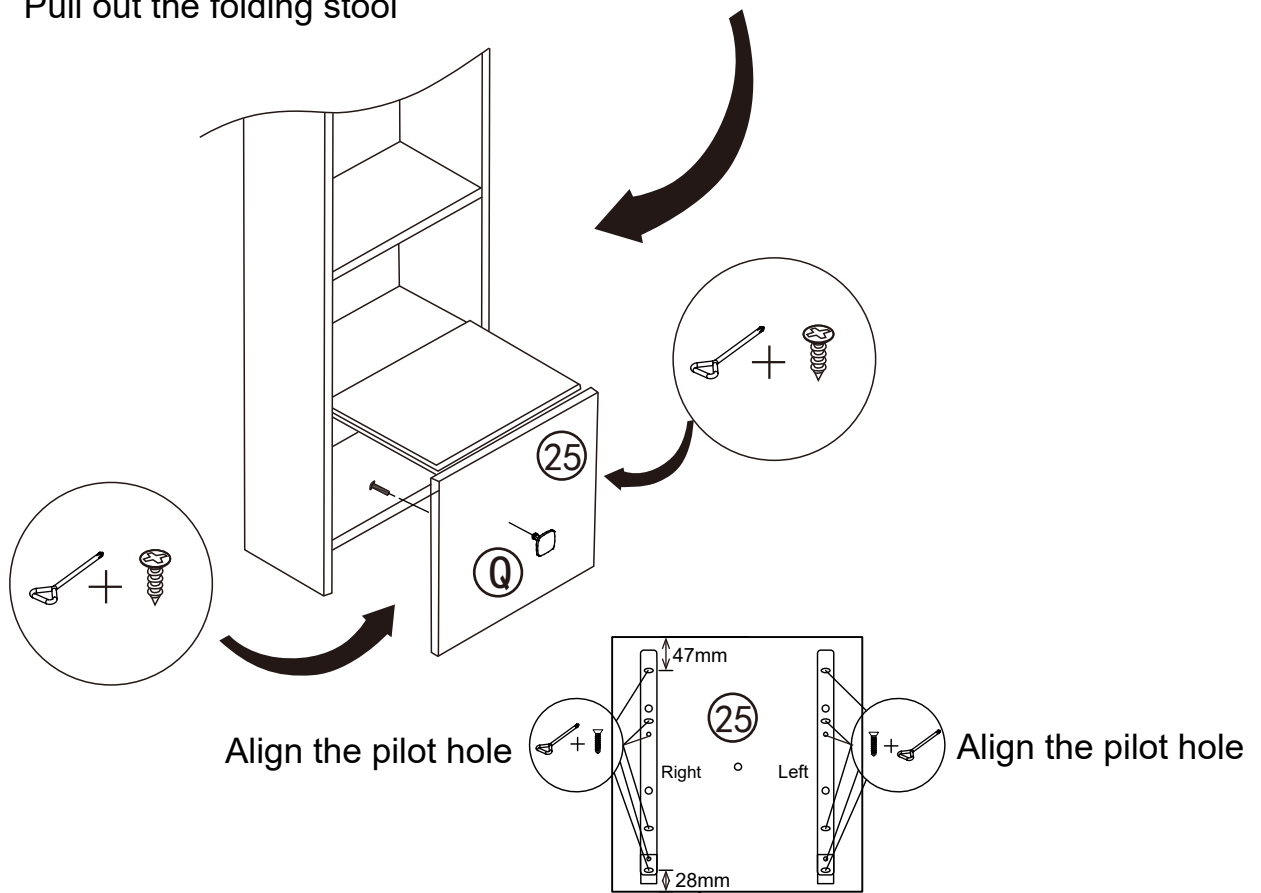


Assembly Instructions

Step 24





Pull out the folding stool



Align the pilot hole

Align the pilot hole

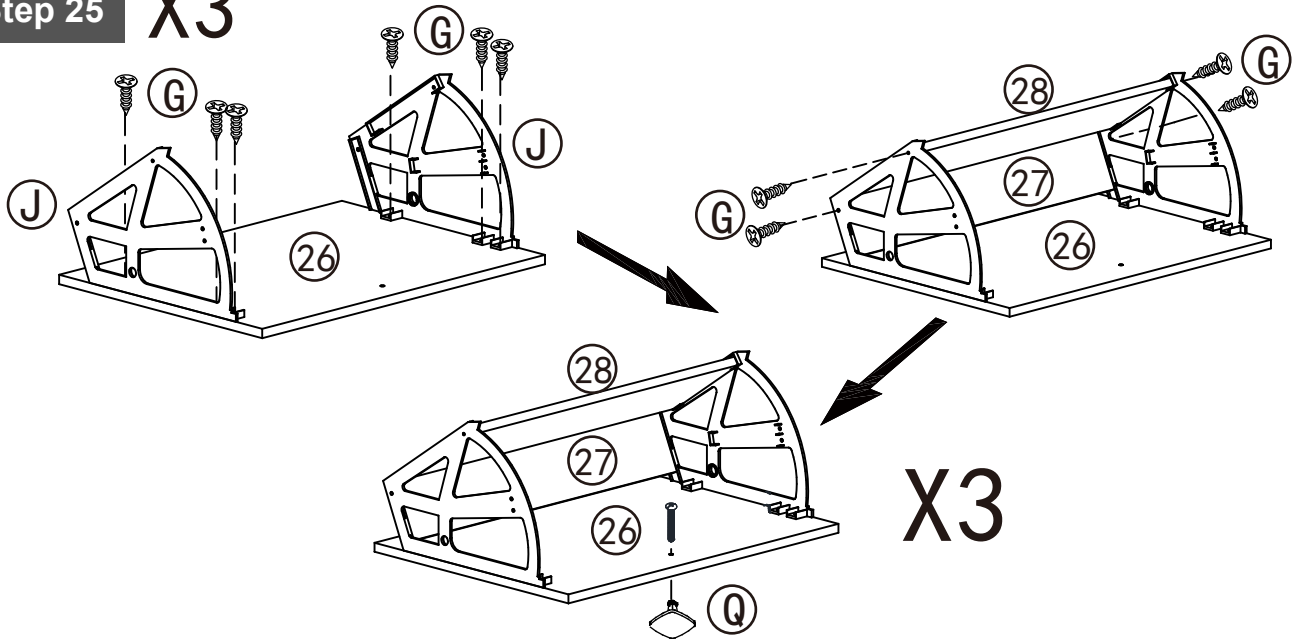
This side is in contact with the ground

<p>G</p>  <p>3.5*14mm Screw x 12</p>	<p>Q</p>  <p>Shake hands x 1</p>
--	--


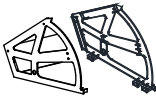

Assembly Instructions

Step 25

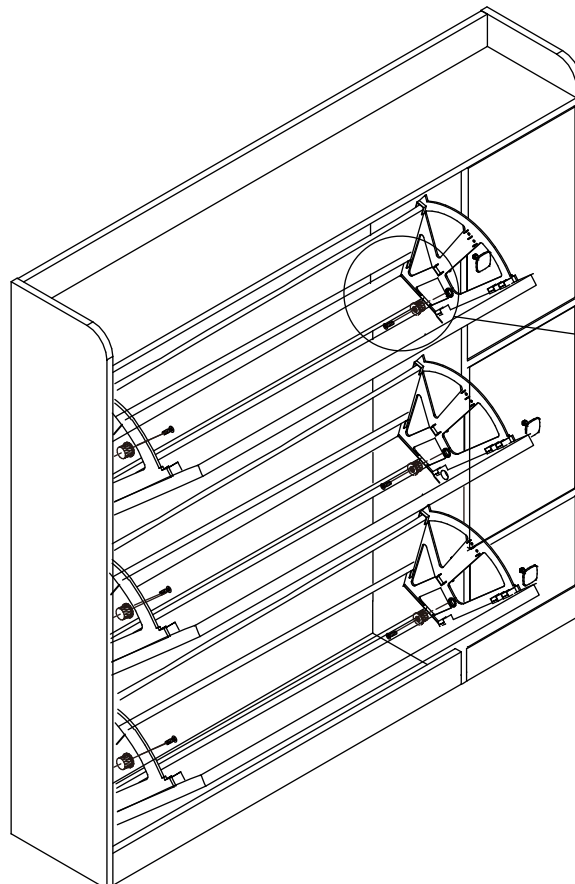
X3





X3

<p>G</p>  <p>3.5*14mm Screw x 30</p>	<p>J</p>  <p>Tipping shoe rack x 3</p>	<p>Q</p>  <p>Shoe hinge x 3</p>
--	--	--

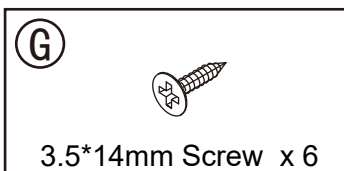
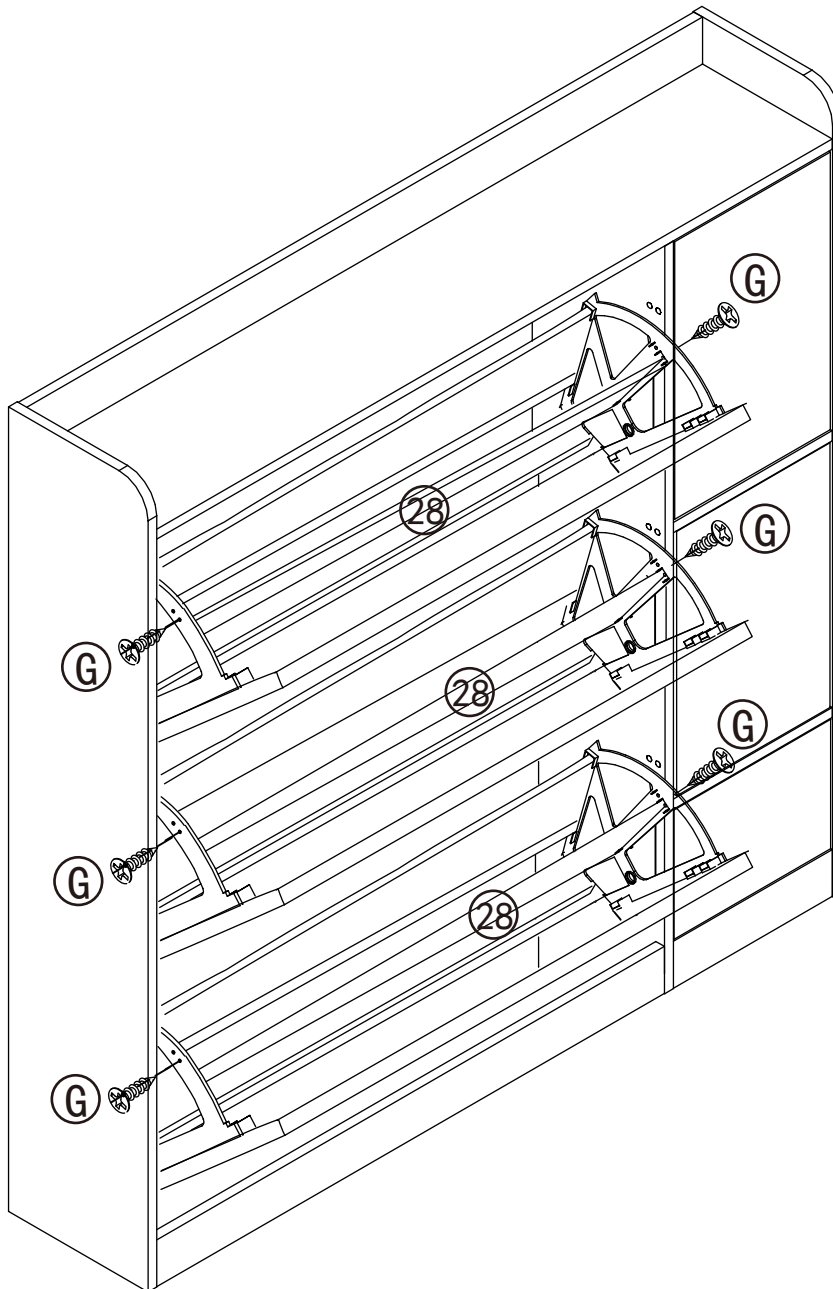
Step 26



<p>L</p>  <p>Shoe frame outer pivot x 6</p>	<p>N</p>  <p>4*11mm Screw x 6</p>
---	---

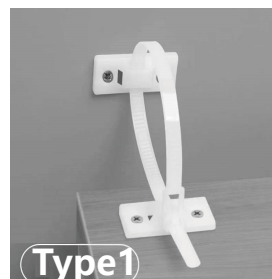
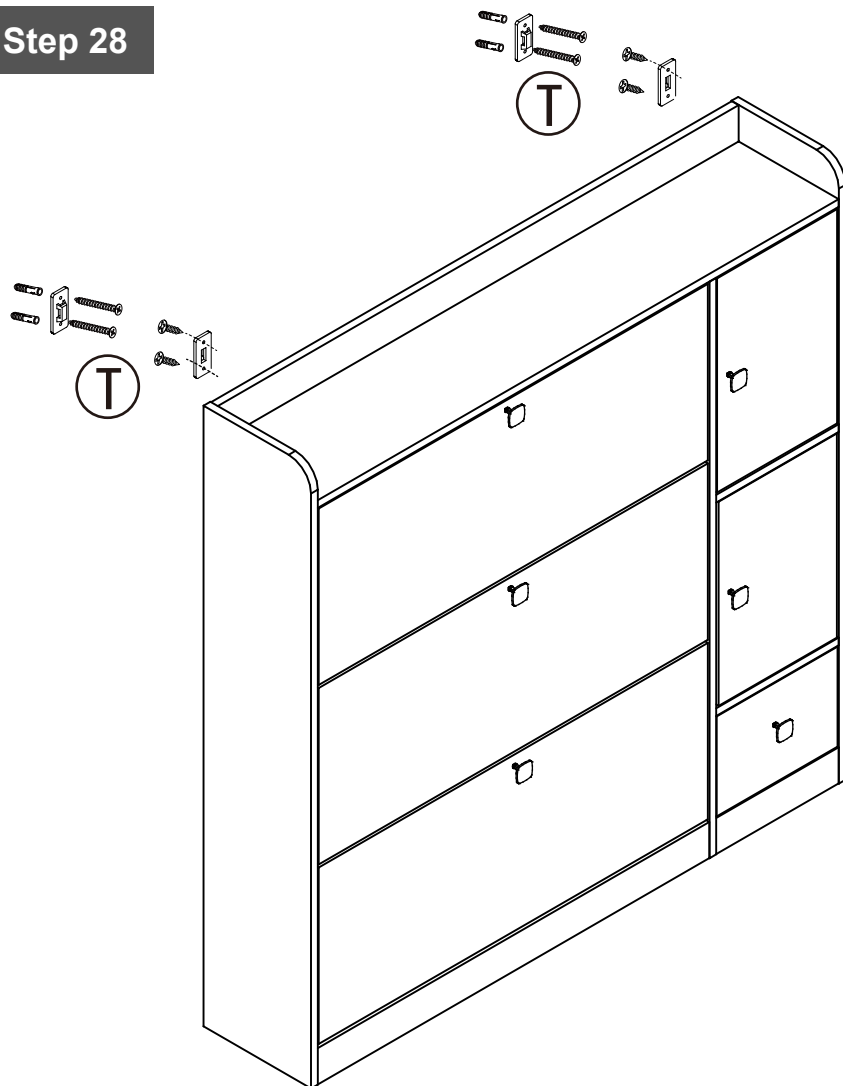
Assembly Instructions

Step 27



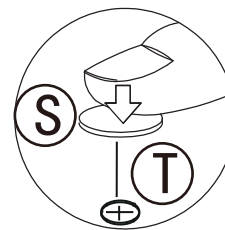
Assembly Instructions


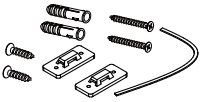
Step 28



This is anti-dumping belt that fix the product to the wall and it can be used or not follow your needs.

If it is a solid wall, please use expansion and self-tapping screws, if it is a wooden wall, only use self-tapping screws, please do not overtighten the screws.



 Perfect Fit x 53	 Anti fall component x 2
---	--

Assembly Instructions

Step 29

