

Hall Tree

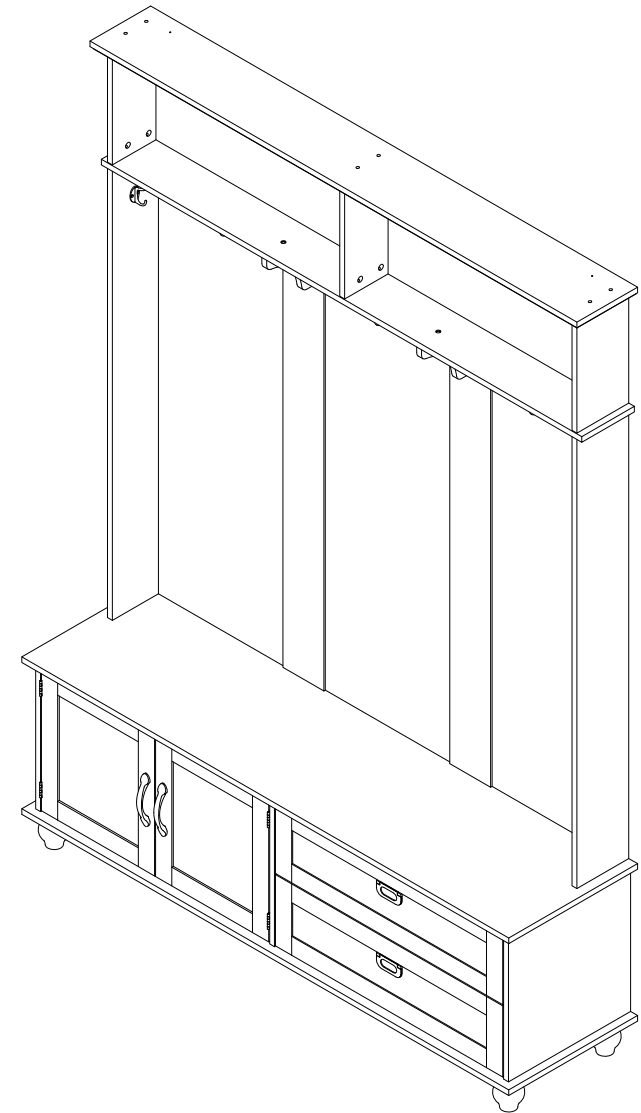
Assembly Instructions - Please keep for future reference

Dimensions






Width-59inch

Depth-15.6inch

Height-80.2inch












1. Thank you for choosing *our products*.

-  • Read instructions, cover to cover
-  • Have 2-4 adults on hand for assembly *depending on product size*
-  • Do not assemble *directly* on flooring or carpet
-  • Assemble on a clean non-marring surface (*example*: packing foam)
-  • Save all packaging until finished

3. Assembly Notice:

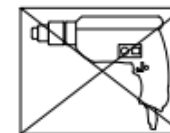
- If you encounter any problems during assembly and find that you cannot continue, rest assured we will help you solve the situation as soon as possible. Simply keep all of the parts of the product stored in a safe place and contact us immediately so we may assist you further.
- Once you have opened your package, remove all inner hardware packages and take the parts out. One by one, Place the parts out neatly in front of you, then refer to the instructions to ensure no parts are missing. If any pieces are found missing, please carefully look in the box first, as the hardware packaging might have torn making the hardware spill in the box.
- **IMPORTANT:** When setting up your product, **DO NOT INSTALL THE SCREWS ALL THE WAY IN THE BEGINNING.** Place each screw into their proper hole and use your hand to twist the screw halfway. Twist all the screws in halfway to ensure the holes will match up properly and the product is level on the ground. When everything seems fitted, then tighten the screws.
- When you have completed assembly, we suggest you have more than one person to assist you with lifting and placing the product.

Care & Maintenance

-  • Do not put hot items directly on furniture surface
-  • Do not clean furniture with harsh cleansers or polish
-  • Do not place furniture under direct sunlight
-  • Do not place furniture near heating or cooling vents
-  • Do not write on furniture without a padded barrier to protect the surface
-  • Do not place furniture outside. For indoor use only
-  • Not for commercial use. For residential use only
-  • Stains may be removed with mild soap solution and damp cloth
-  • Children should not climb or jump on the furniture
-  • Dust and pick-up spills using a clean, non-colored, lint-free cloth

Caution

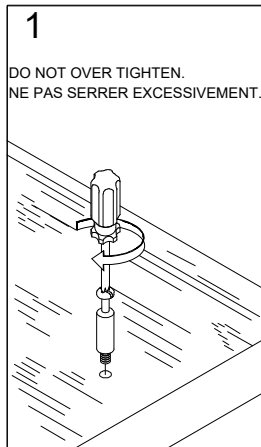
- This product contains small components. Please ensure that they are kept away from small children.
- Do not use power tools to assemble your furniture. Power tools may strip or damage the parts.



Using Camlocks

Step 1

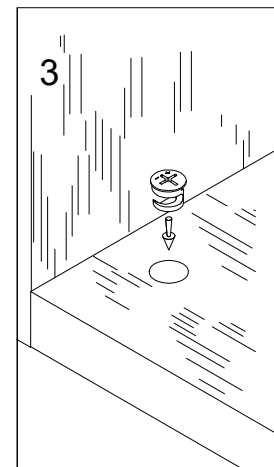
Connect the male camlock as directed in the assembly instructions using a screwdriver.



Step 3

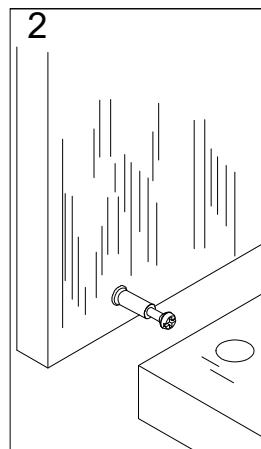
Insert the female camlock as shown in the instruction.

Note: ensure that the arrow on the top of the camlock points towards the entry hole for the male camlock.



Step 2

Push the male camlock into the entry hole.

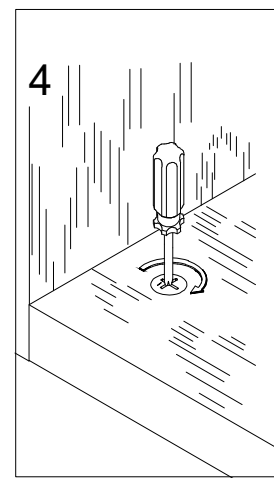


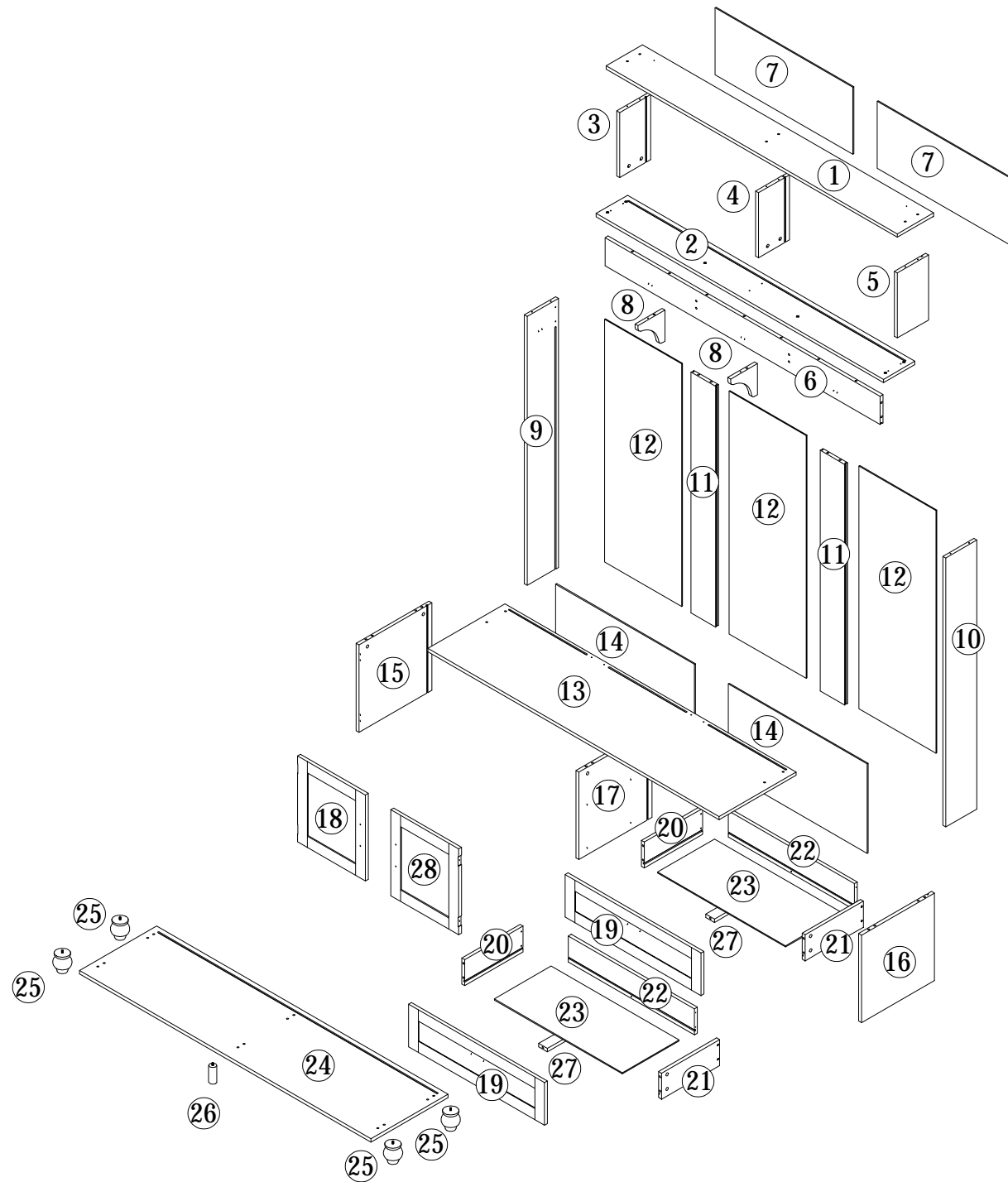
Step 4

Turn the female camlock clockwise with a screwdriver.

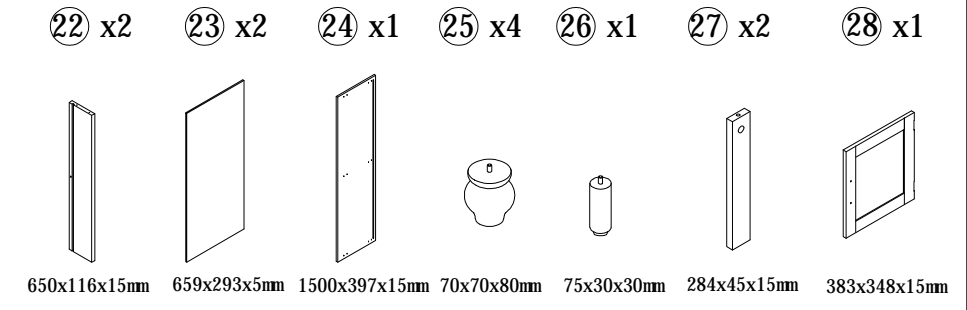
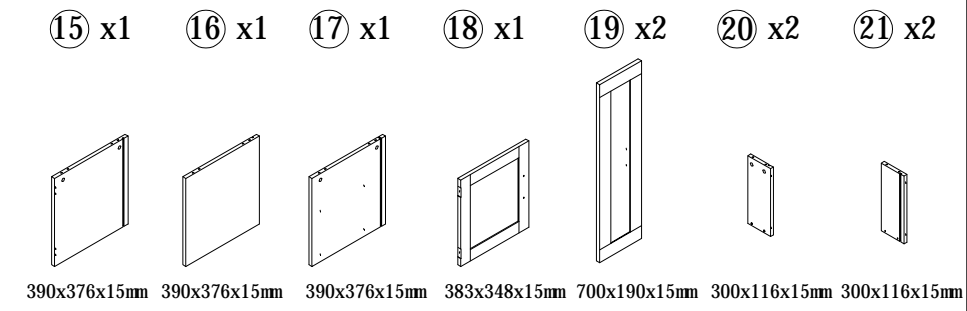
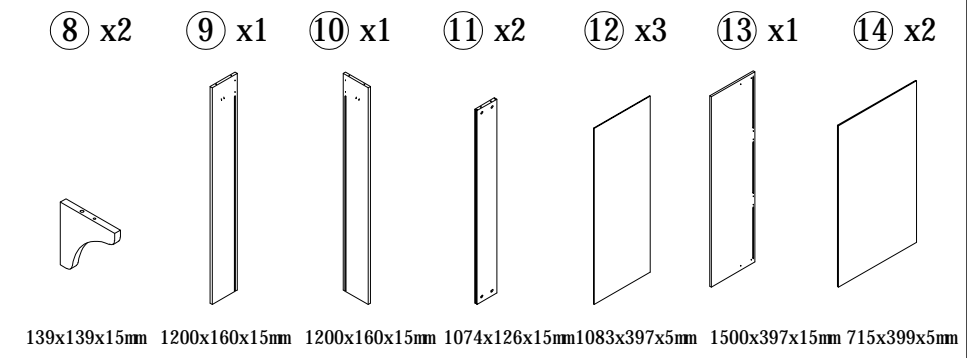
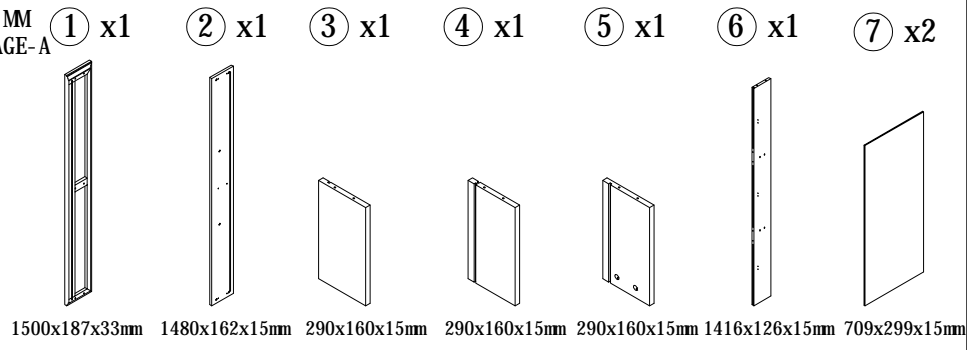
You should feel a click when the camlock is locked in place.

The joint is now secure.

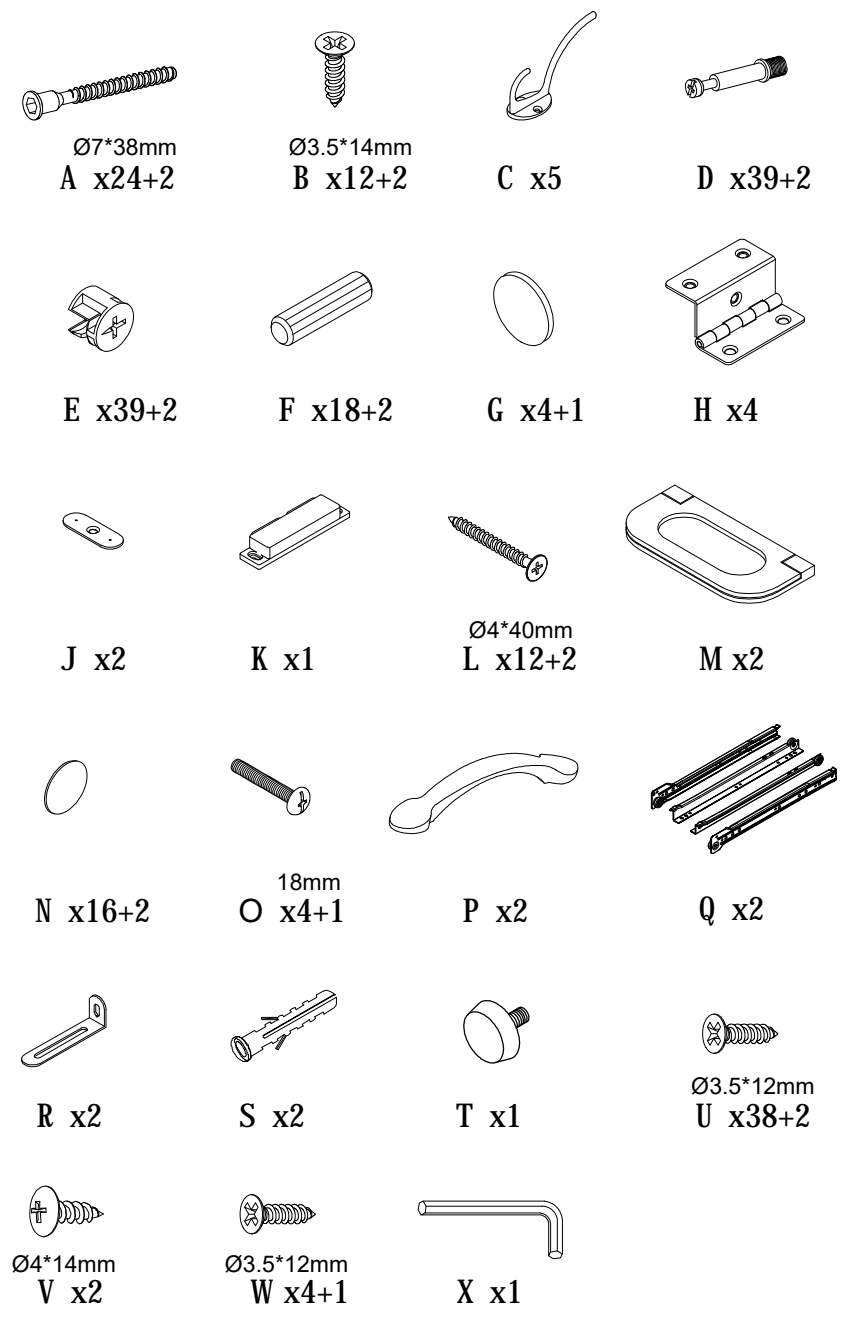
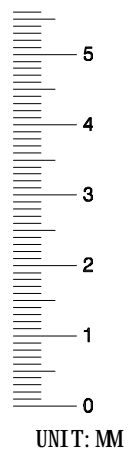




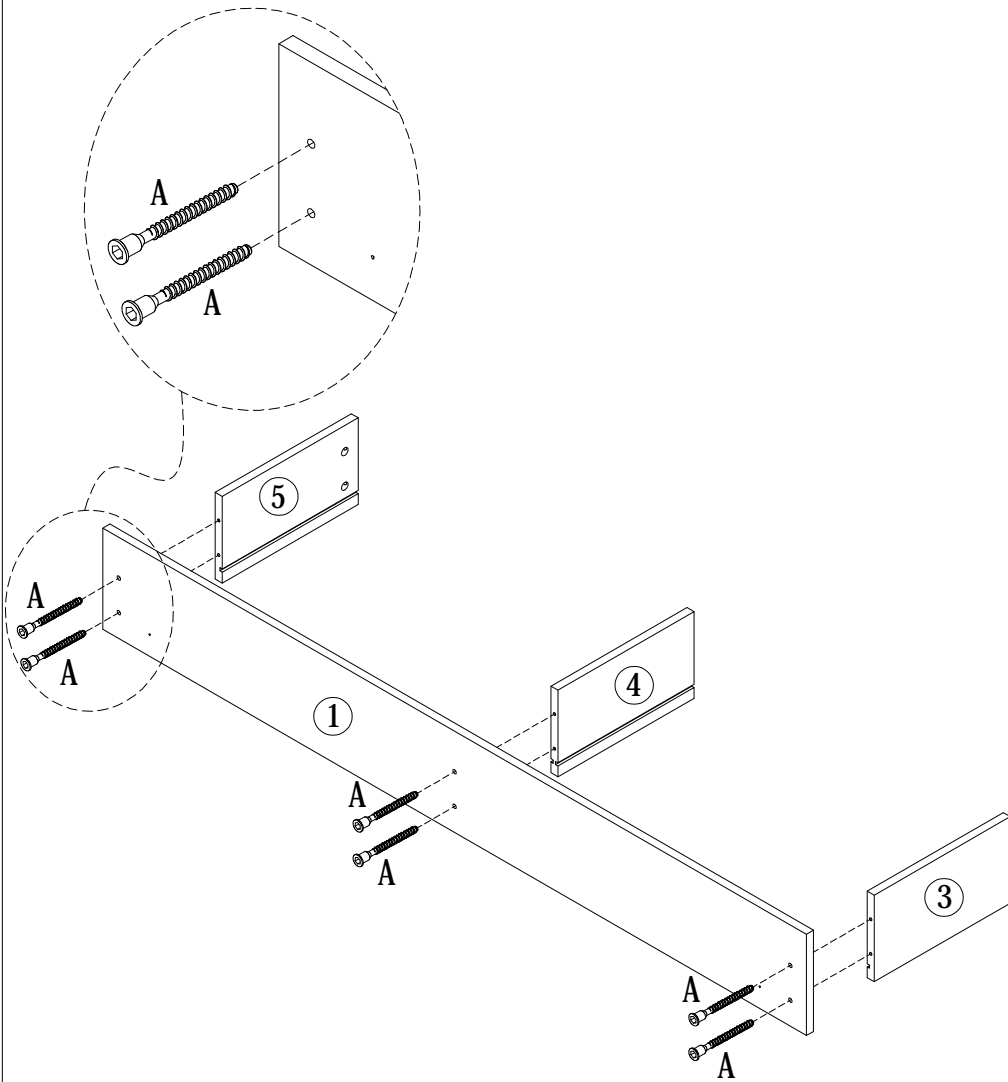
UNIT: MM PACKAGE-A



PACKAGE-B



1



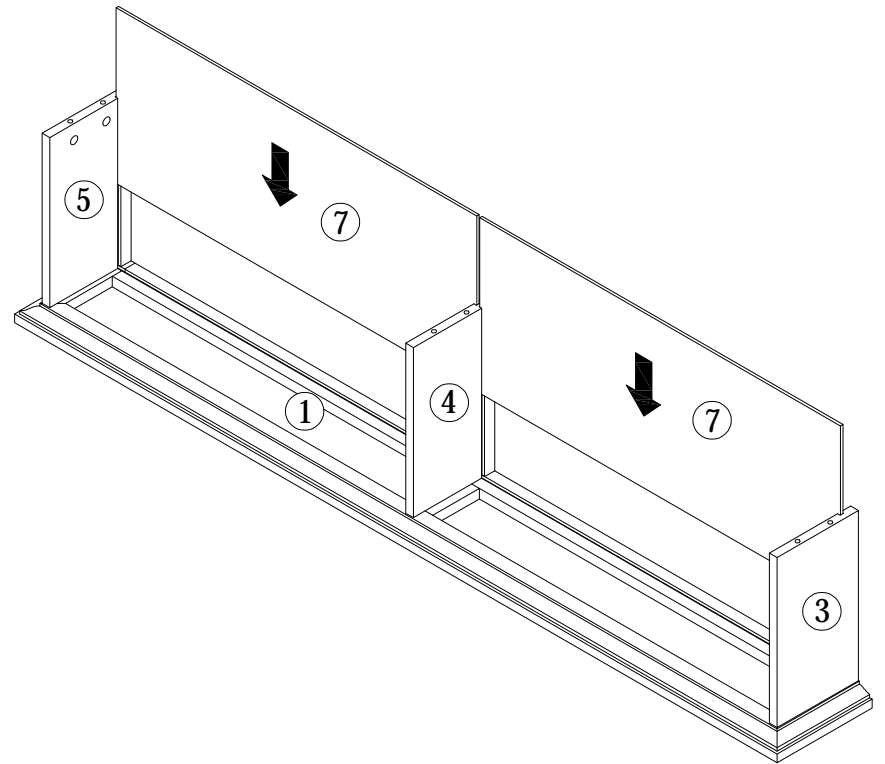
A 6PCS



Ø7*38mm

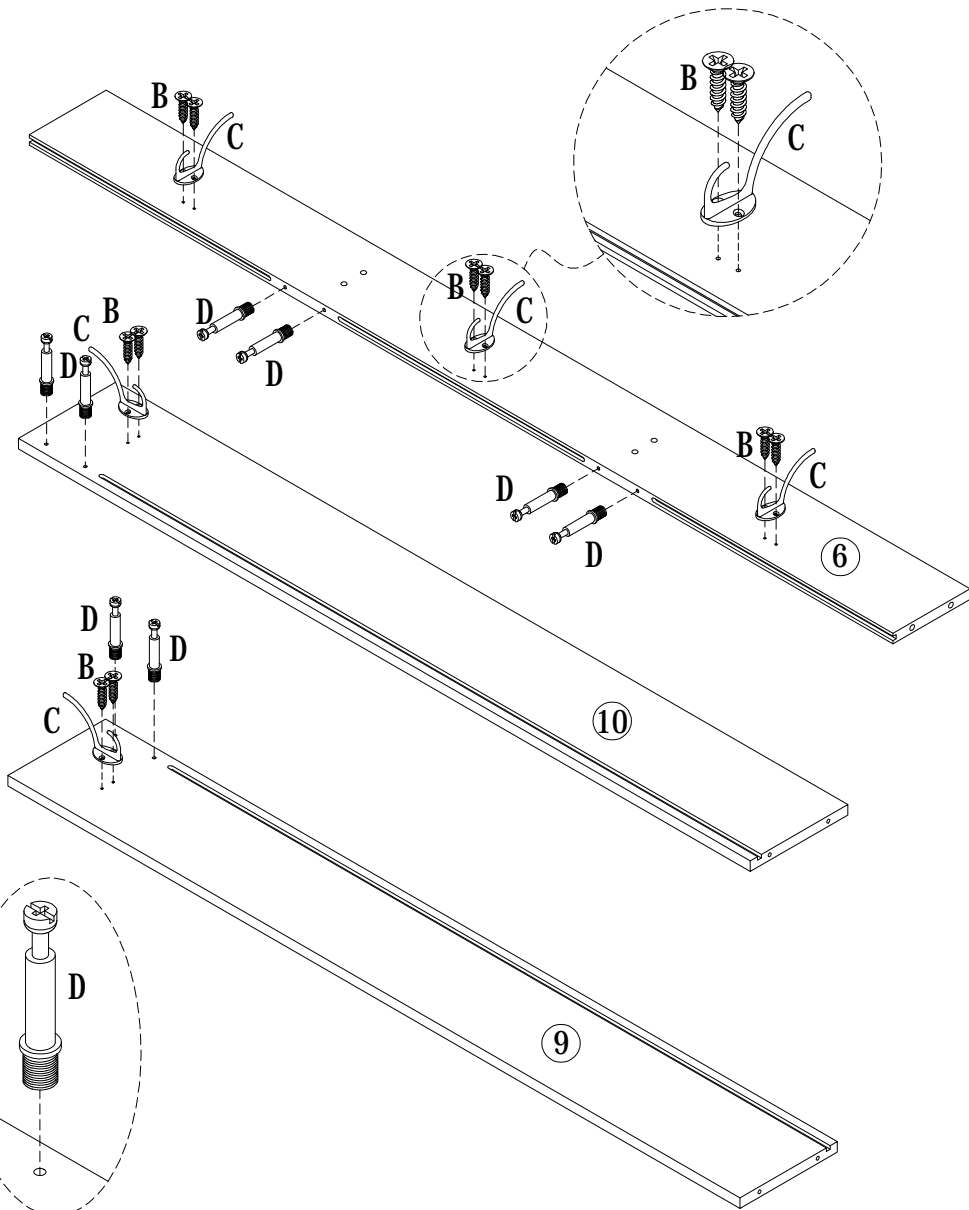
2



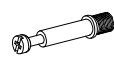
2



3

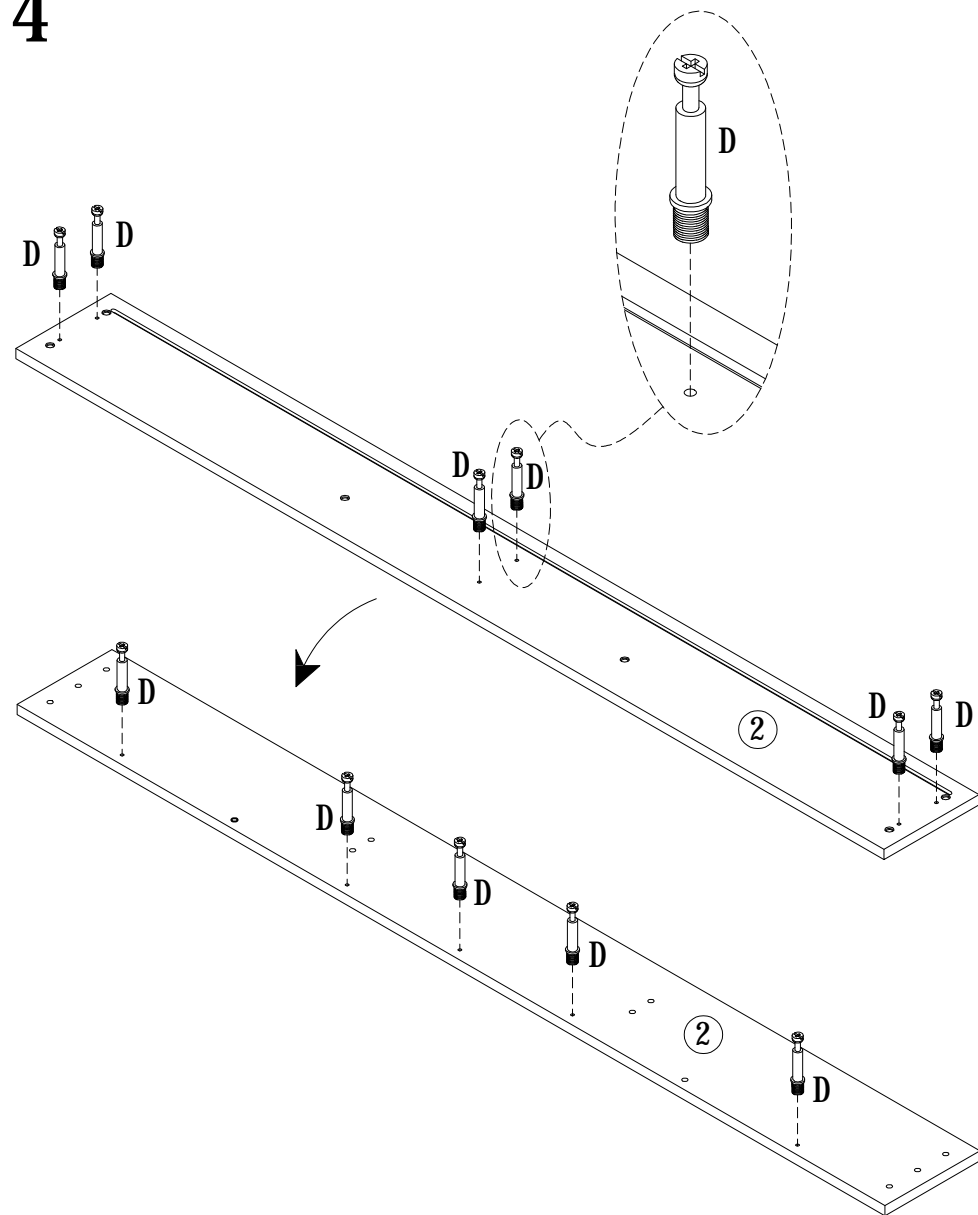
3

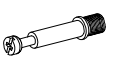


B 10PCS	C 5PCS	D 8PCS
		
Ø3.5*14mm		

4

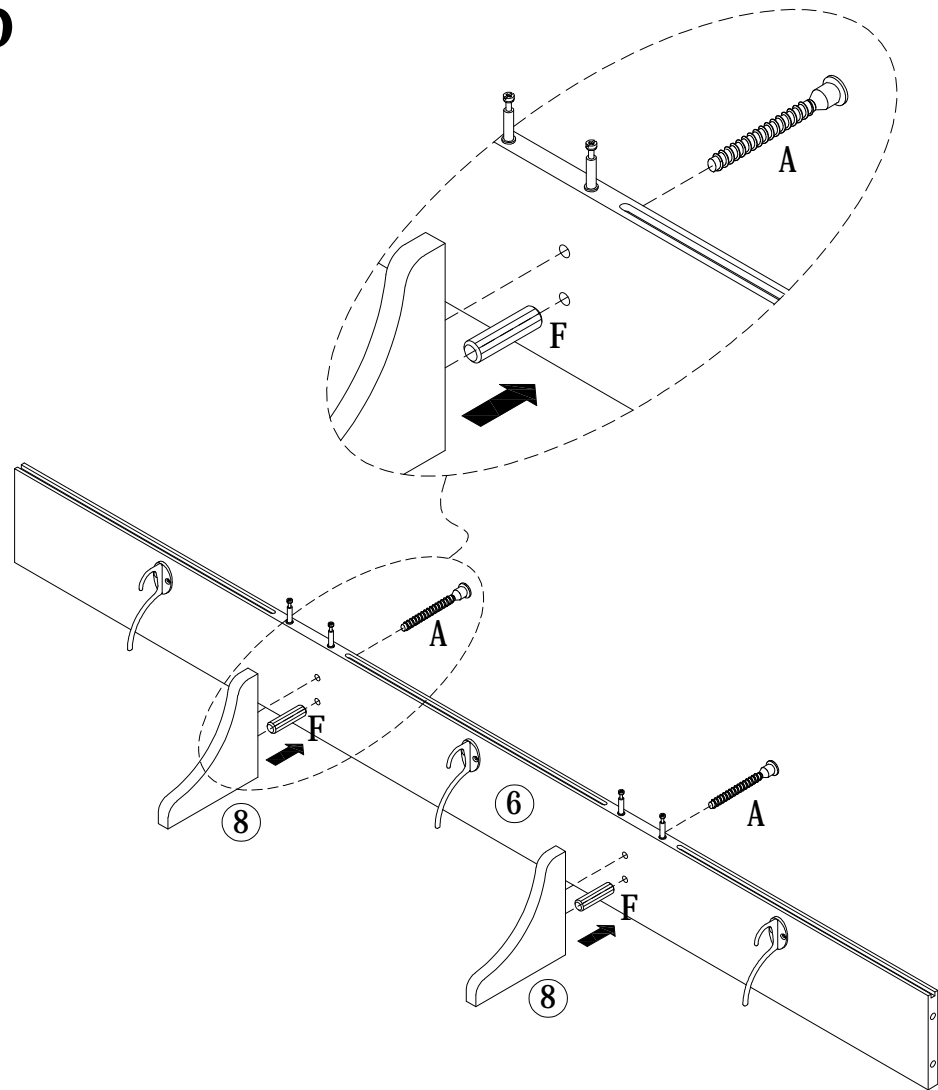
4

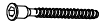
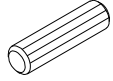


D 11PCS


5

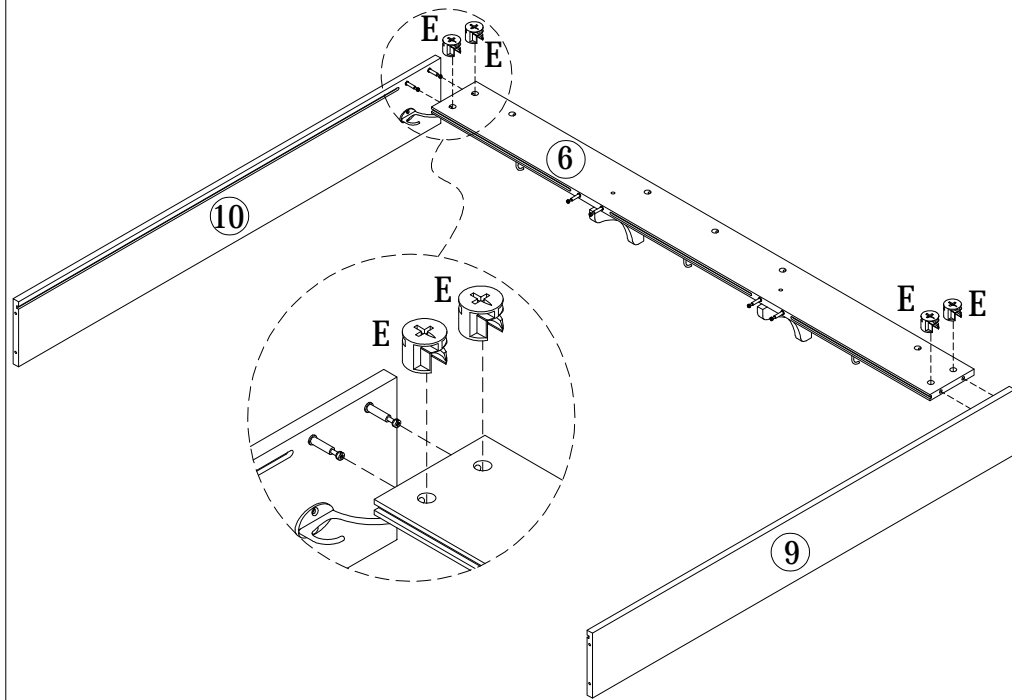
5

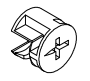


A 2PCS	F 2PCS
	
Ø7*38mm	

6

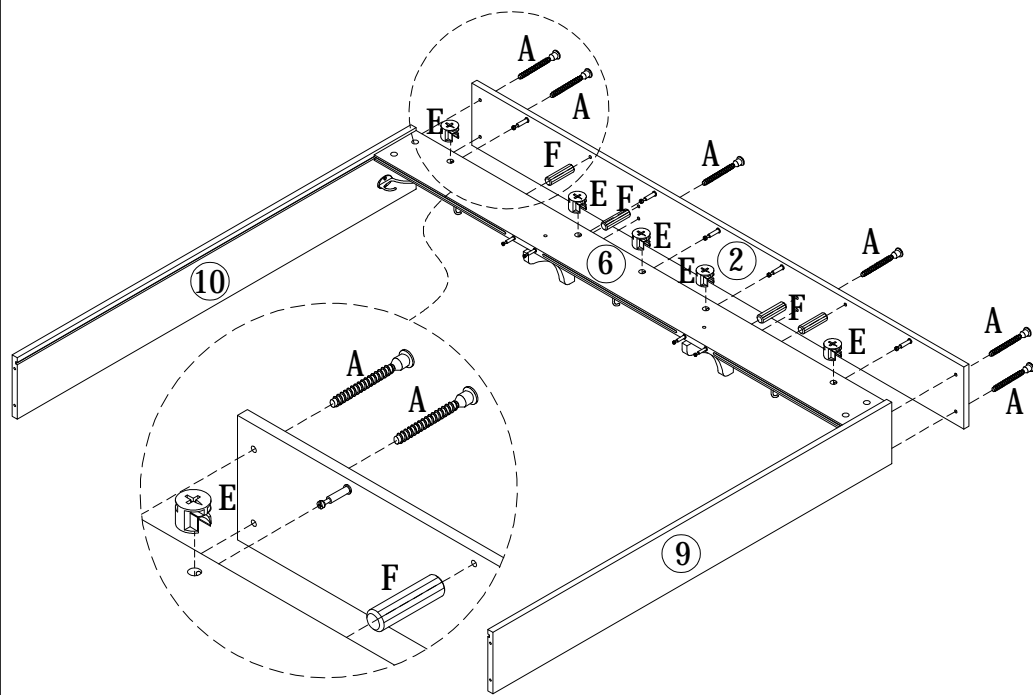
6



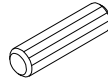
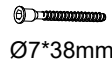
E 4PCS


7

7

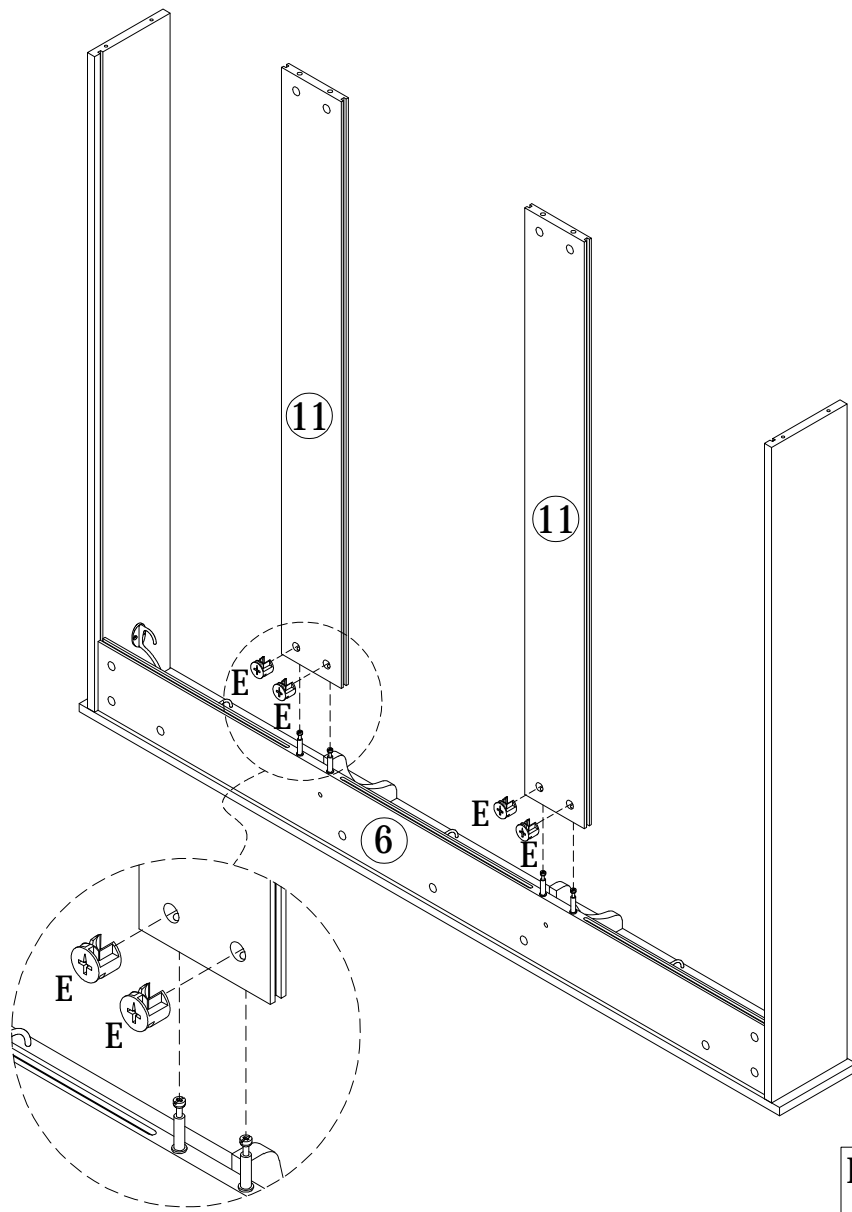


A 6PCS E 5PCS F 4PCS



8

8

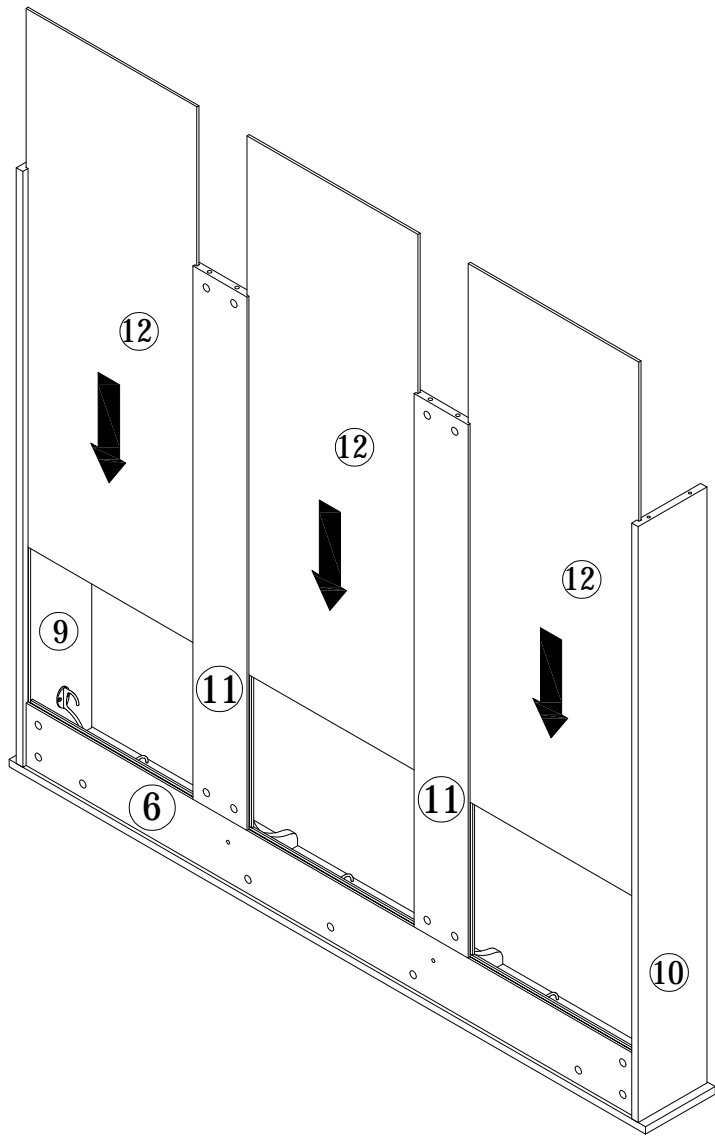


E 4PCS



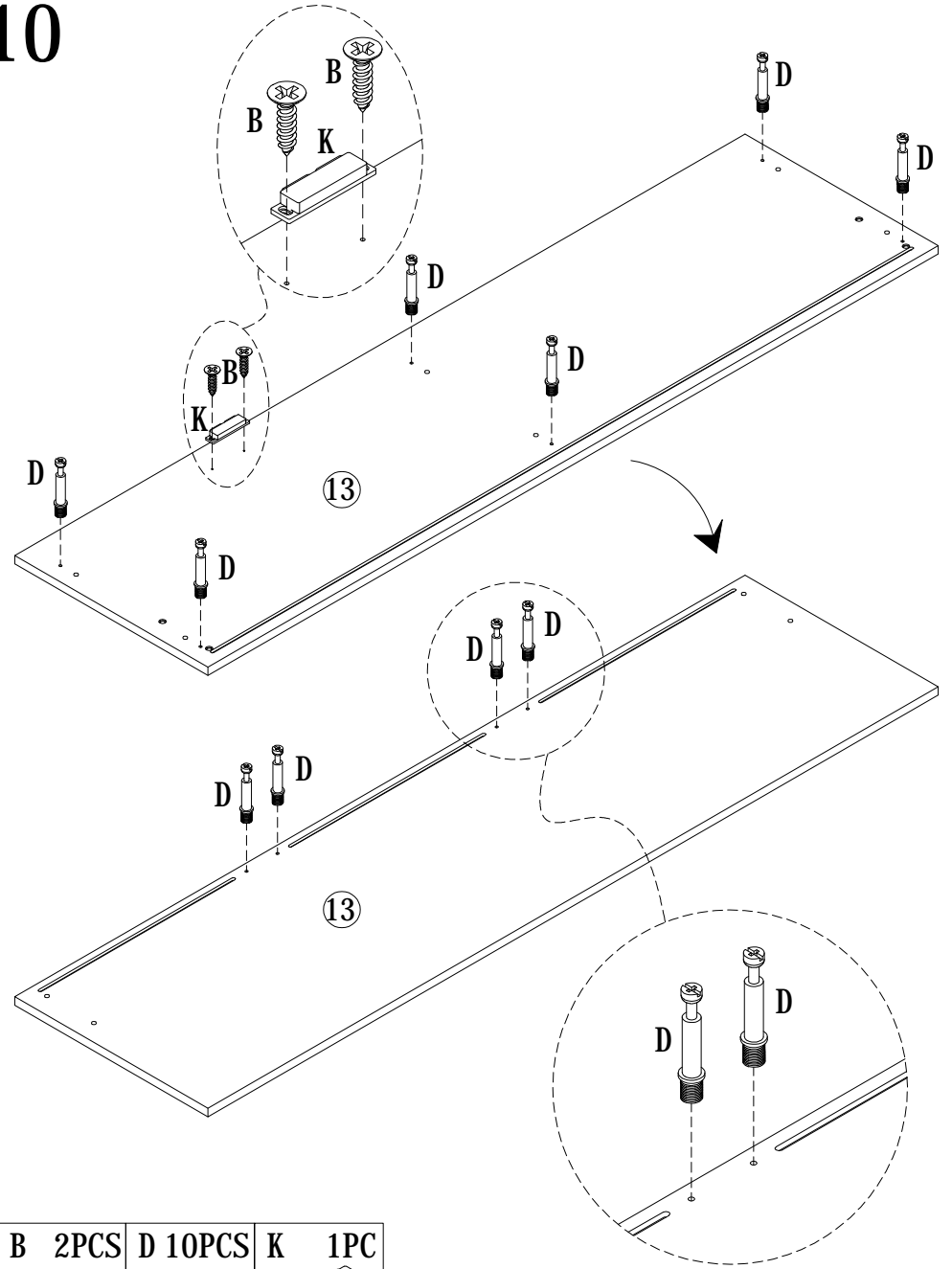
9


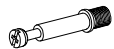

9



10

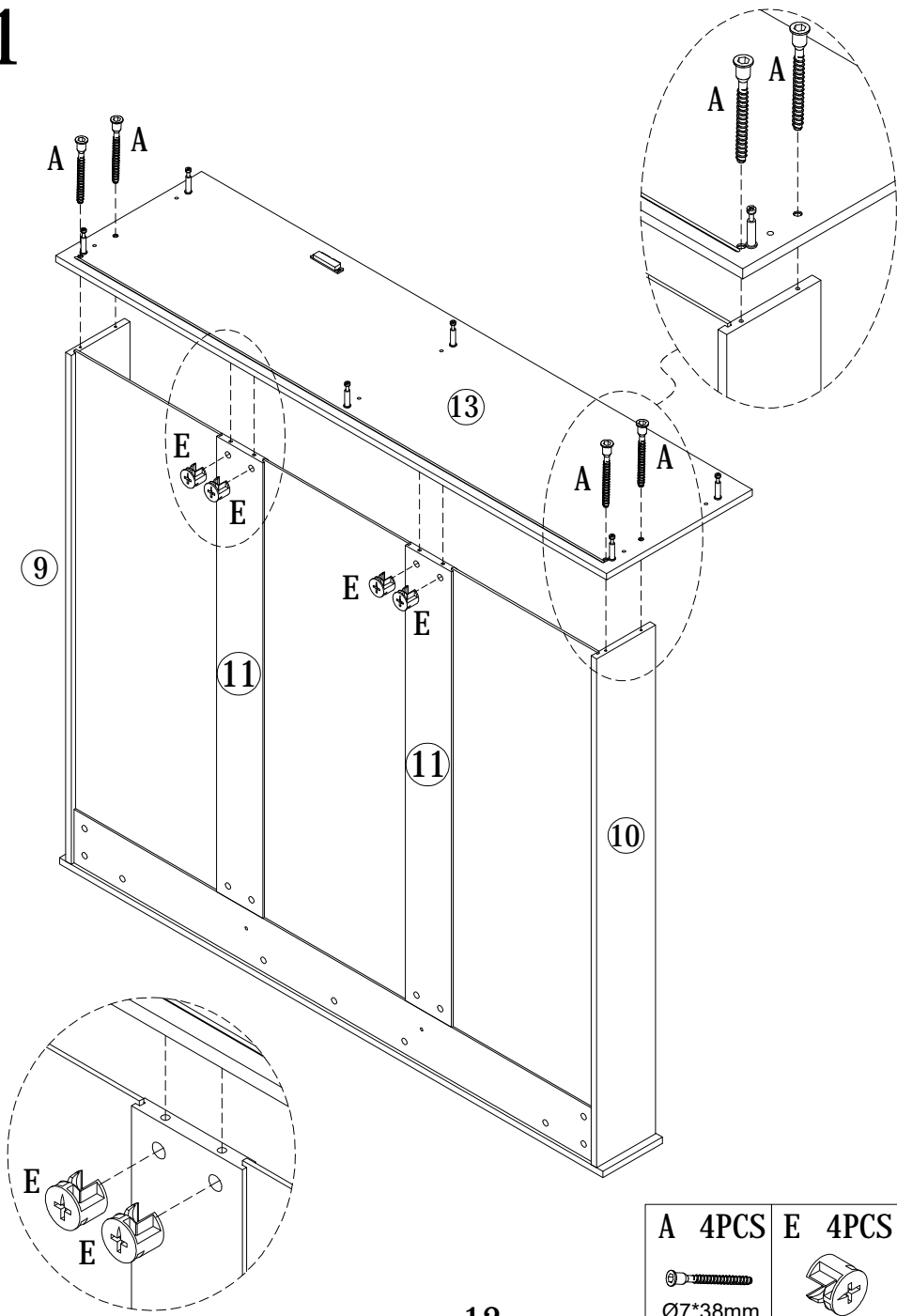
10




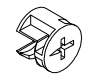
B	2PCS	D	10PCS	K	1PC
					
Ø3.5*14mm					

11

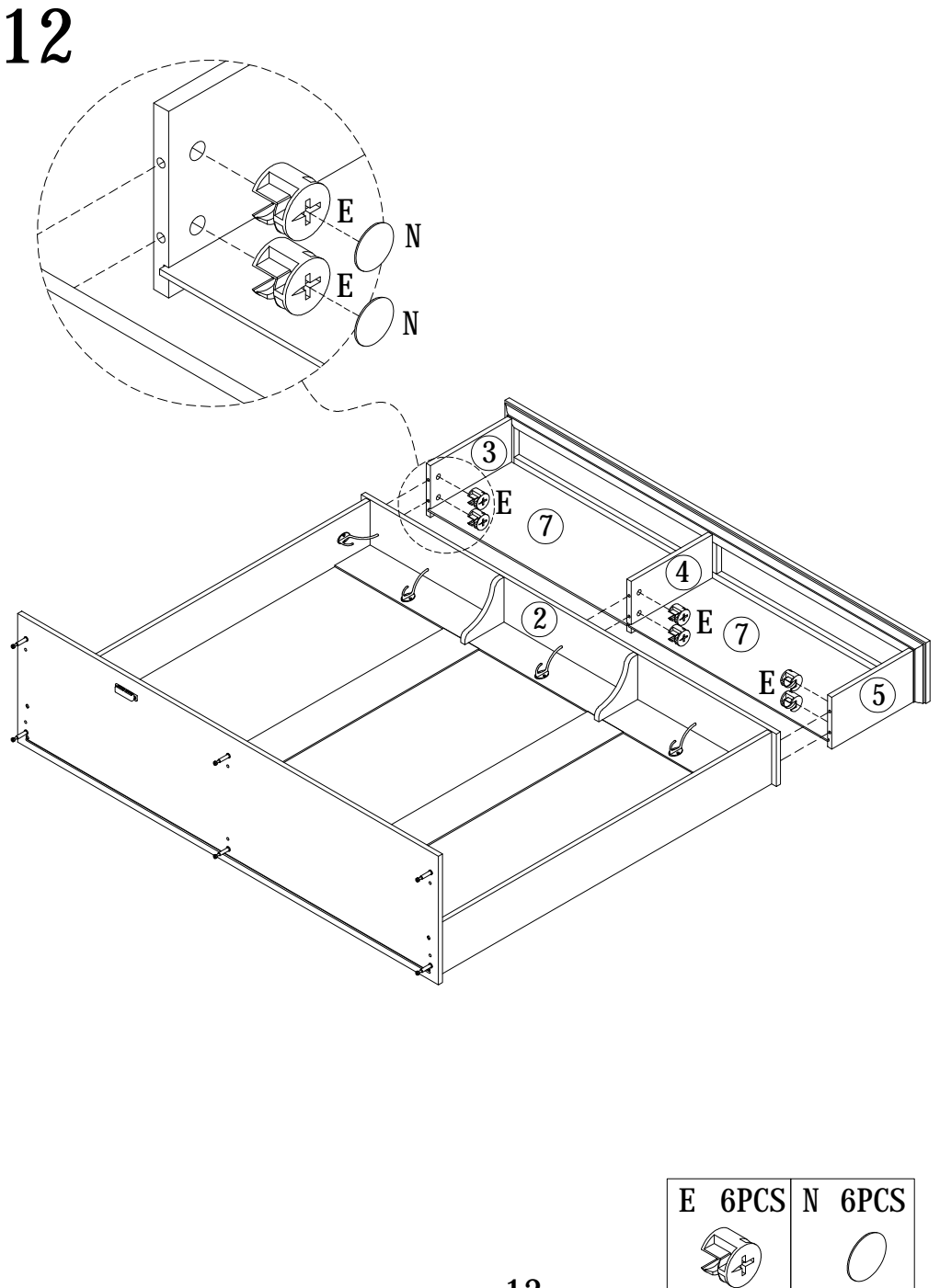
11



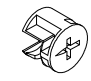

12

A 4PCS	E 4PCS
	
Ø7*38mm	

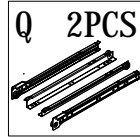
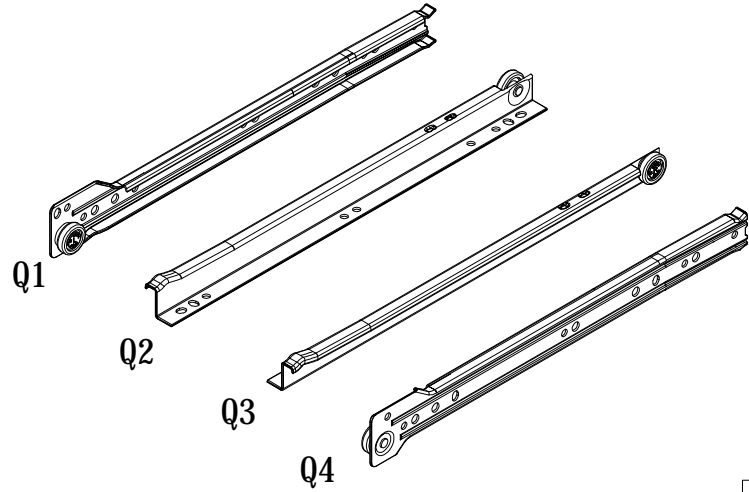
12



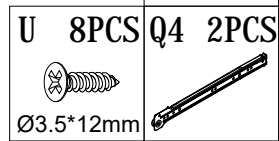
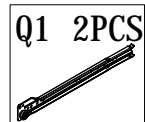
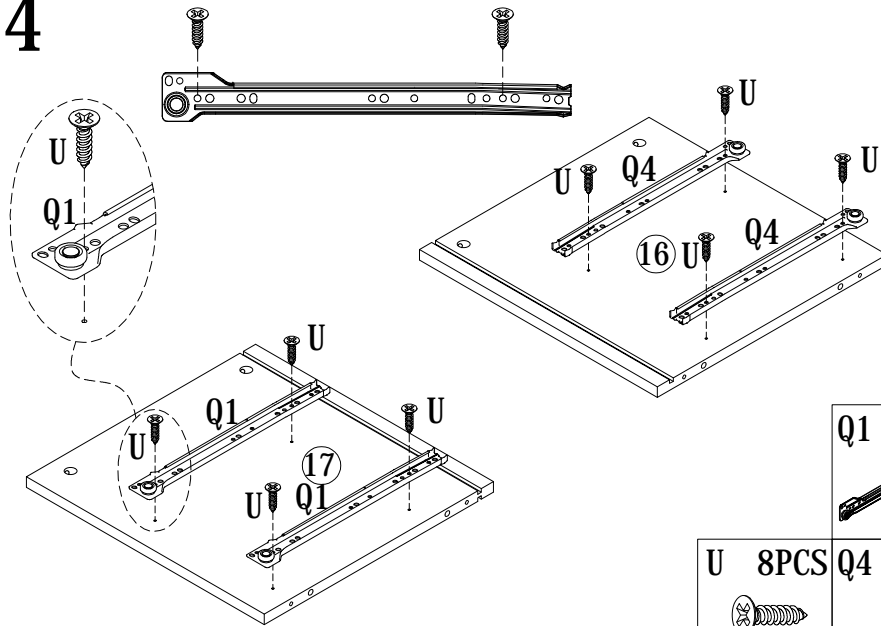
13

E 6PCS	N 6PCS
	

13

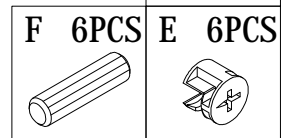
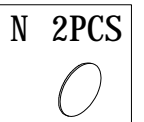
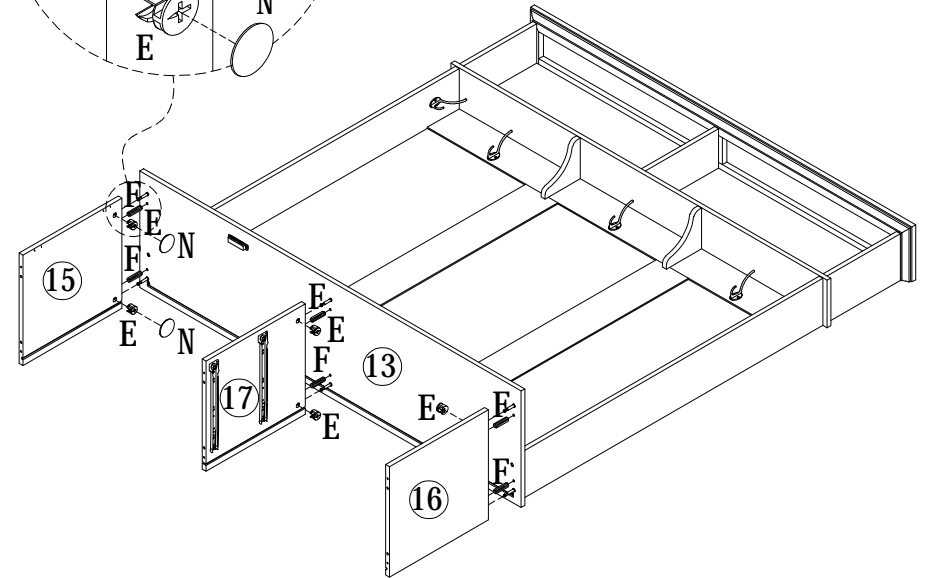
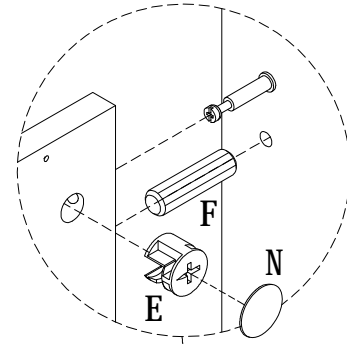


14



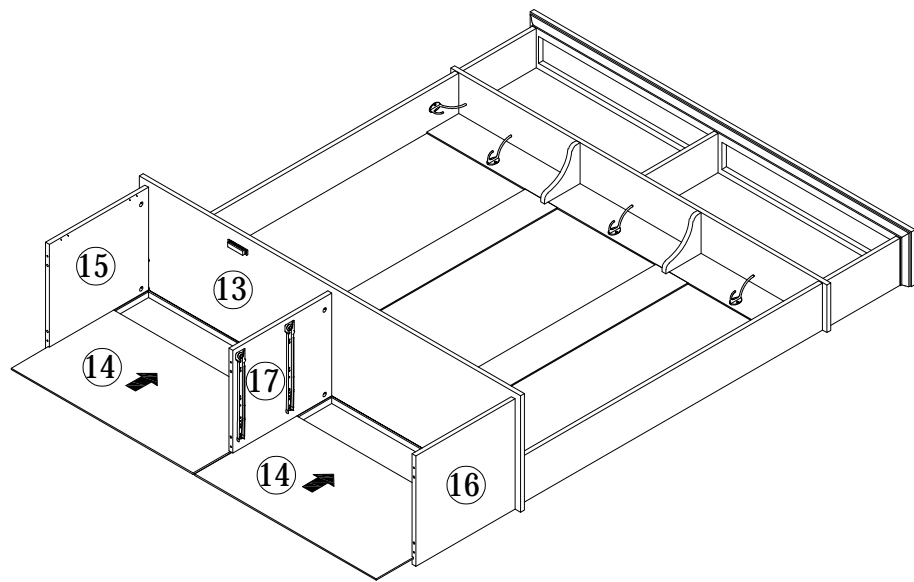
14

15



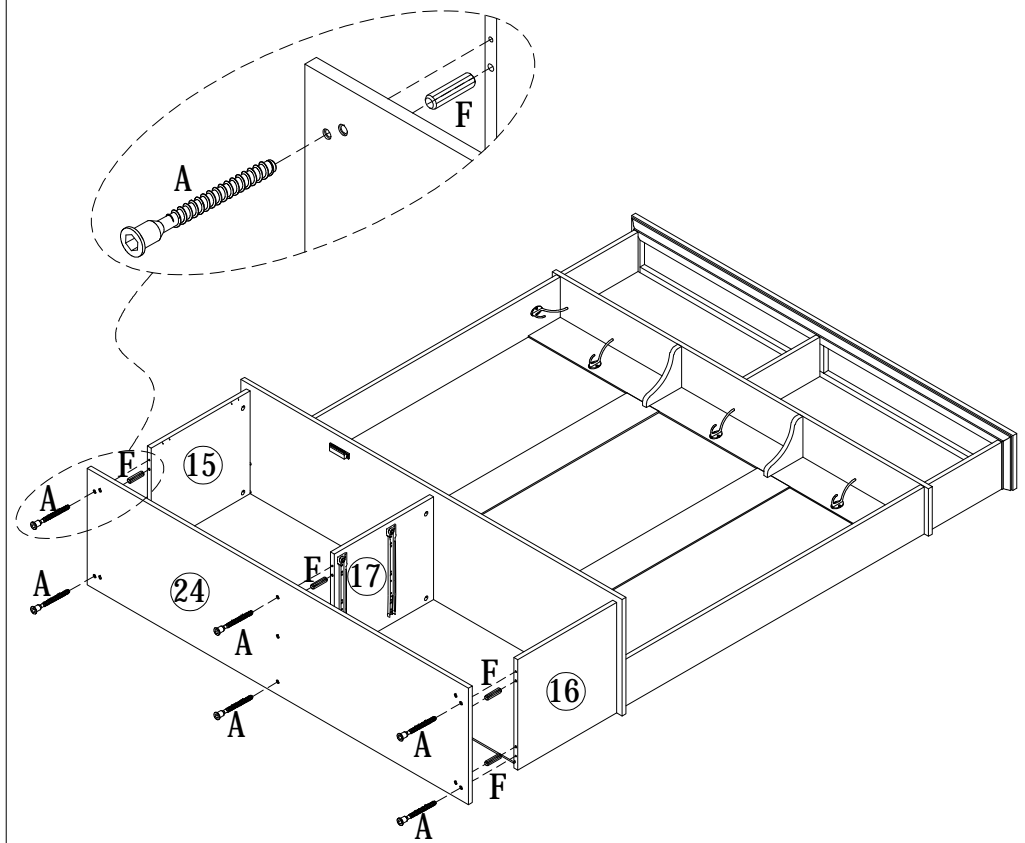
15

16


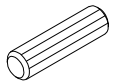


16

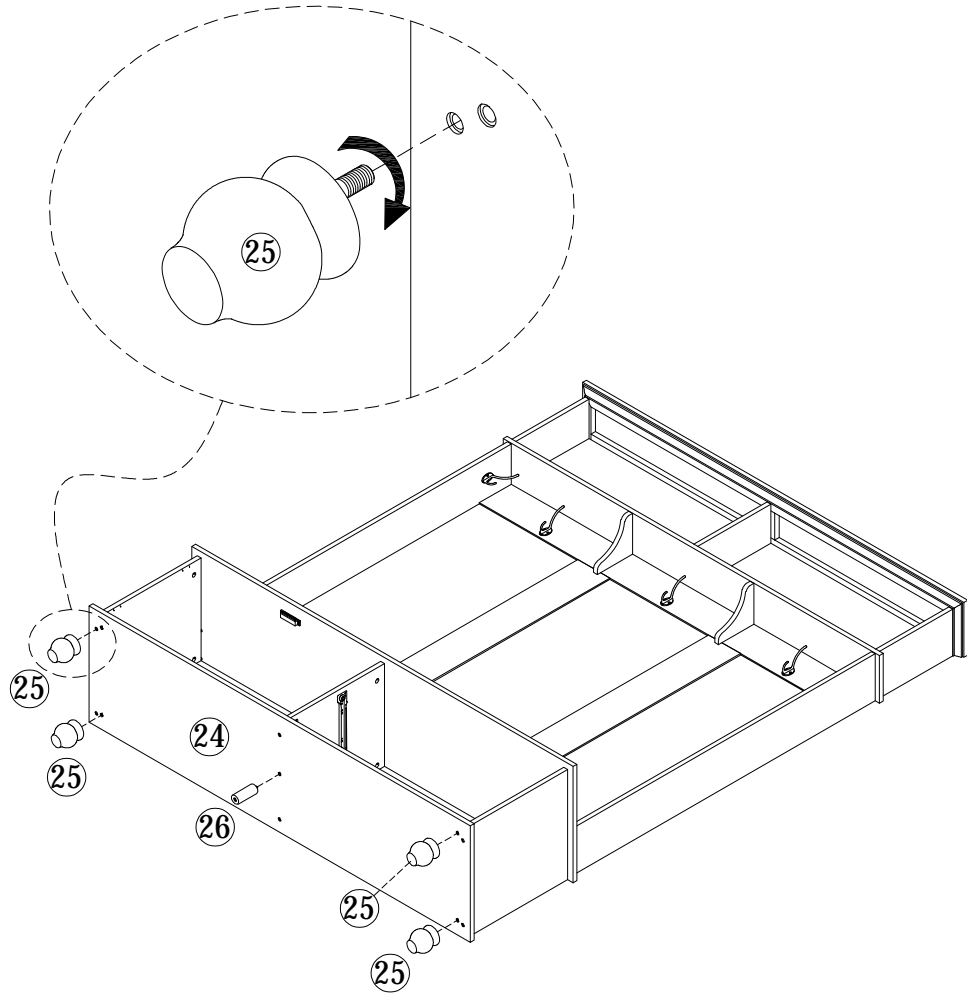
17



17

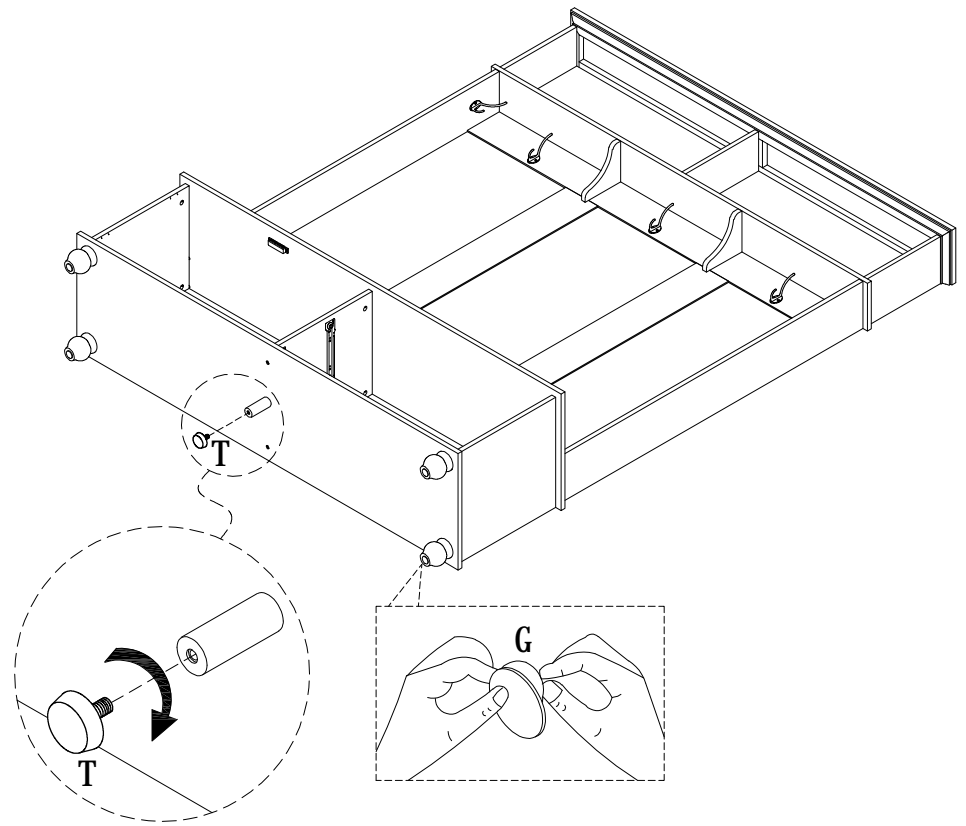
A 6PCS	F 6PCS
	
Ø7*38mm	

18





18

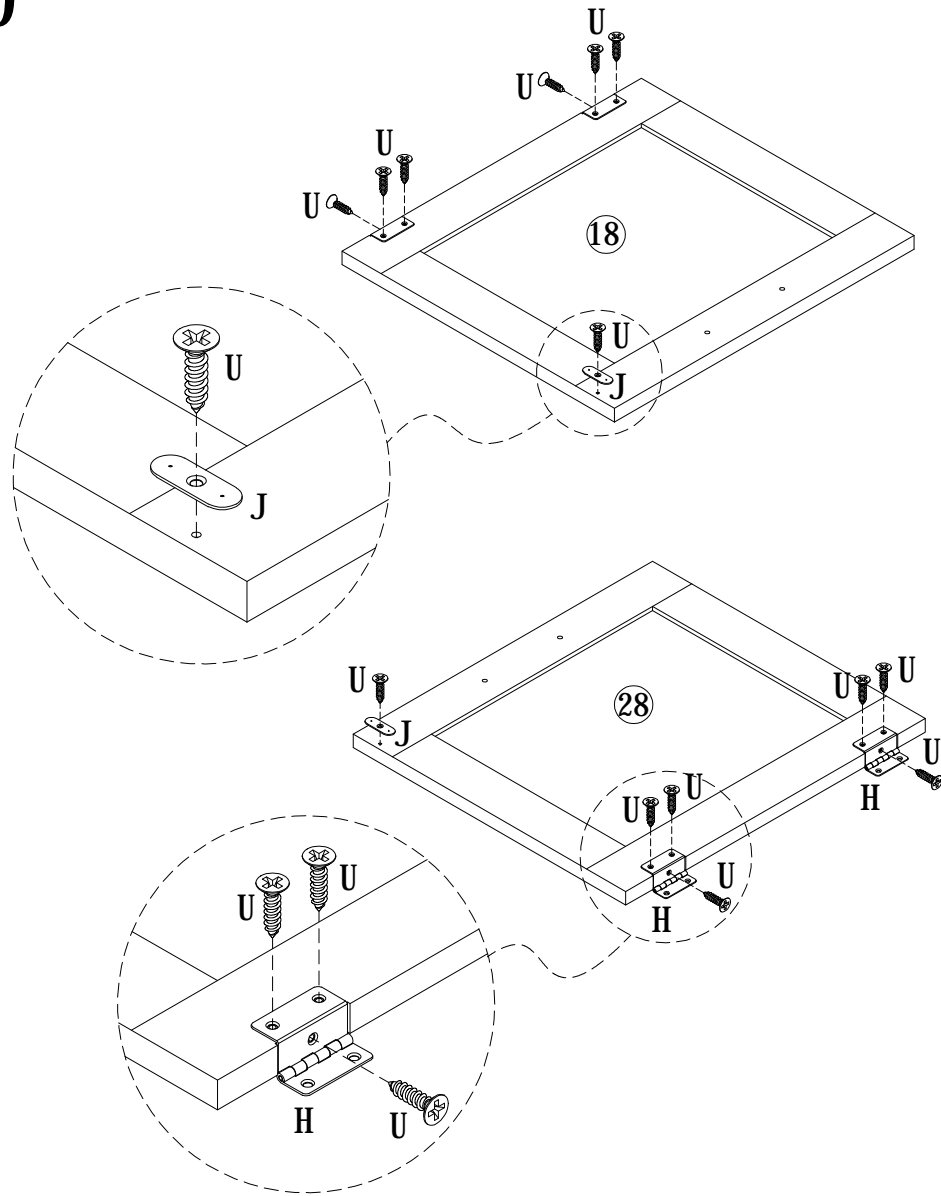
19



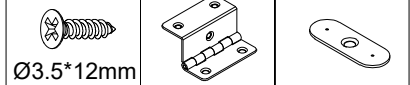
19

G	4PCS	T	1PC
			

20

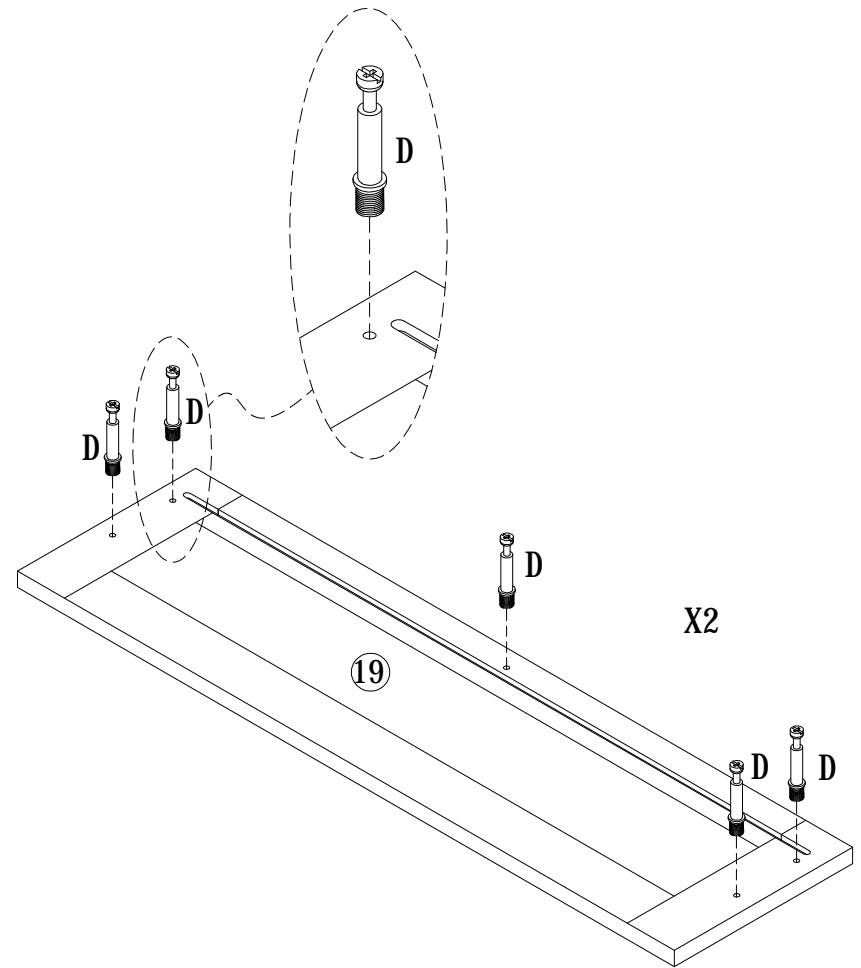


U 14PCS	H 4PCS	J 2PCS
---------	--------	--------

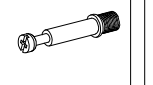


20

21

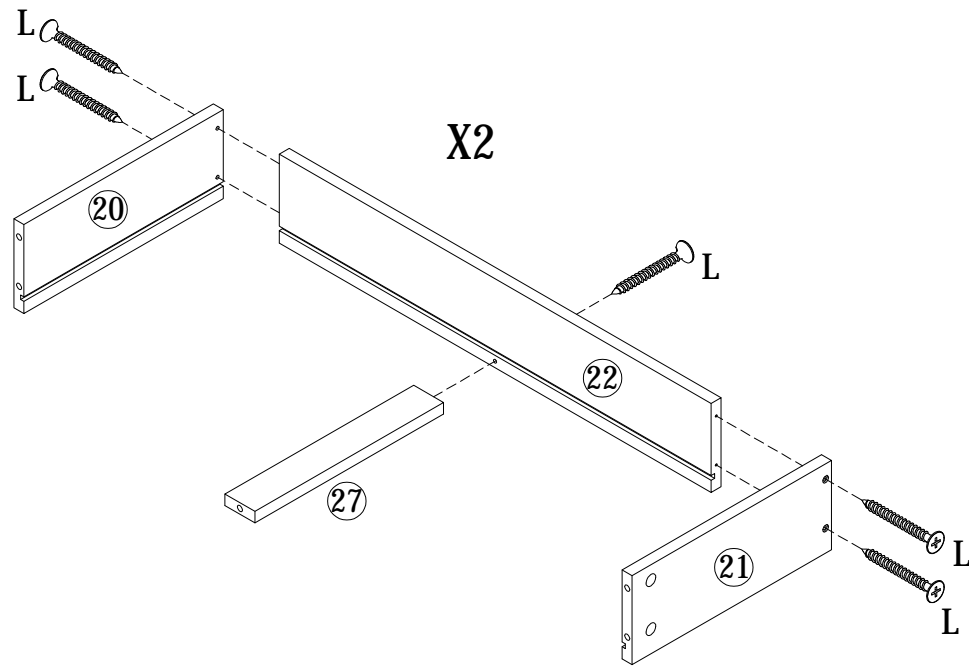


D 10PCS



21

22



X2

L 10PCS

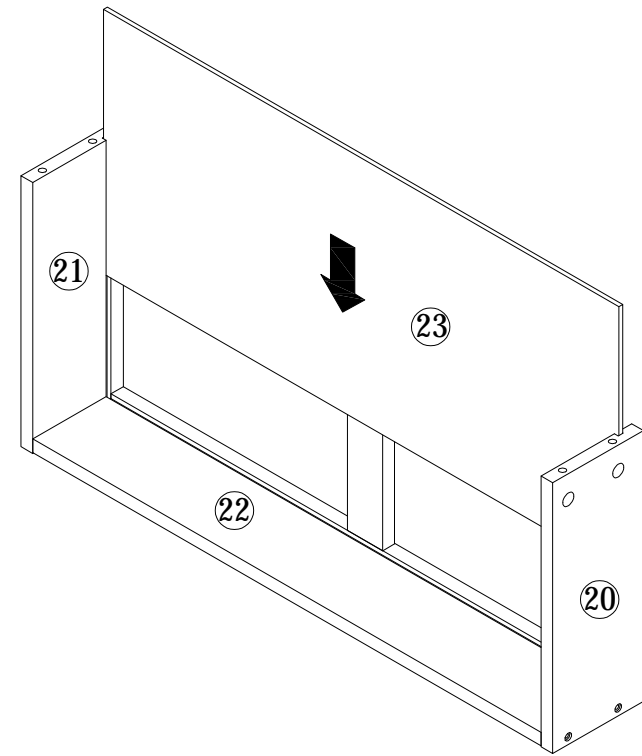


Ø4*40mm

22

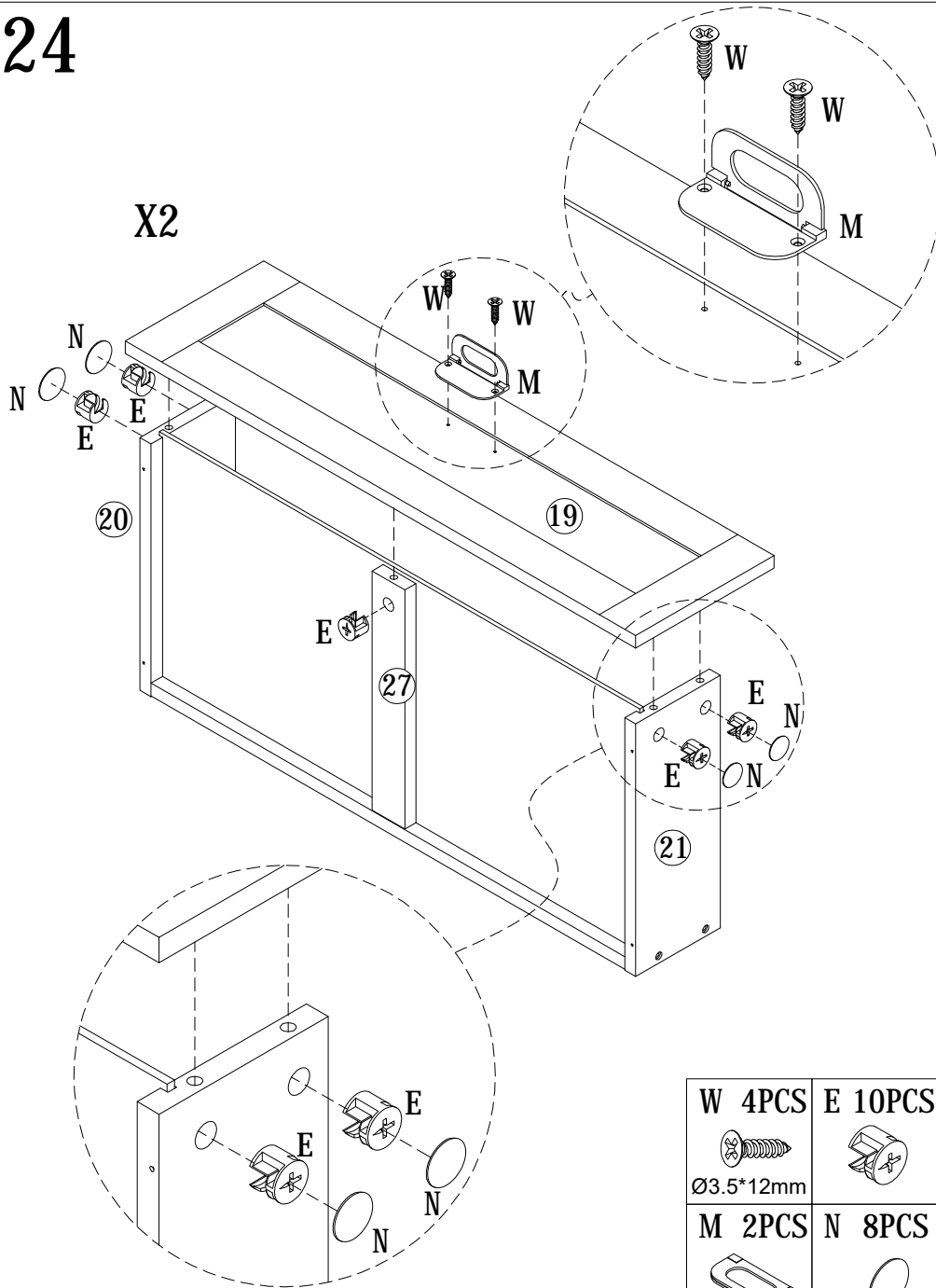
23





X2



23

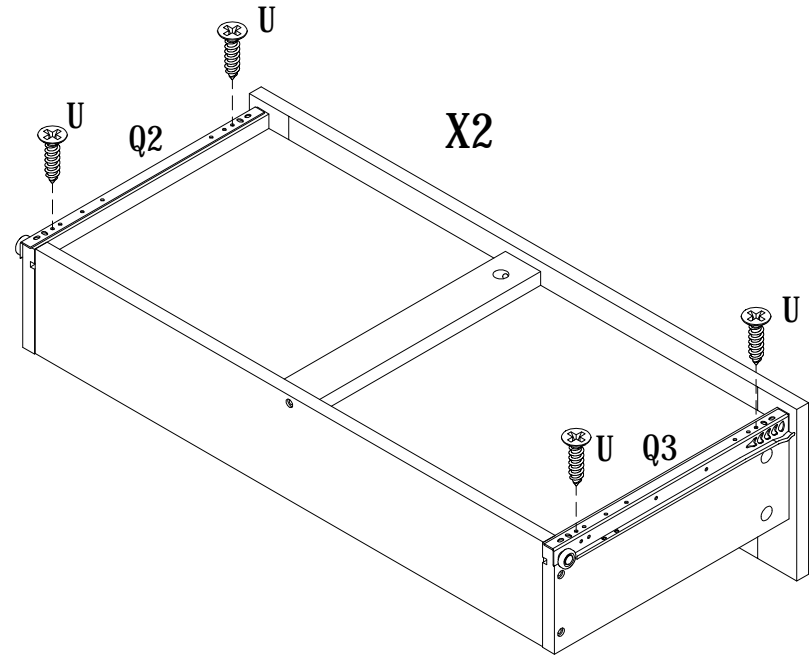
24






W 4PCS  Ø3.5*12mm	E 10PCS 
M 2PCS 	N 8PCS 

24




25

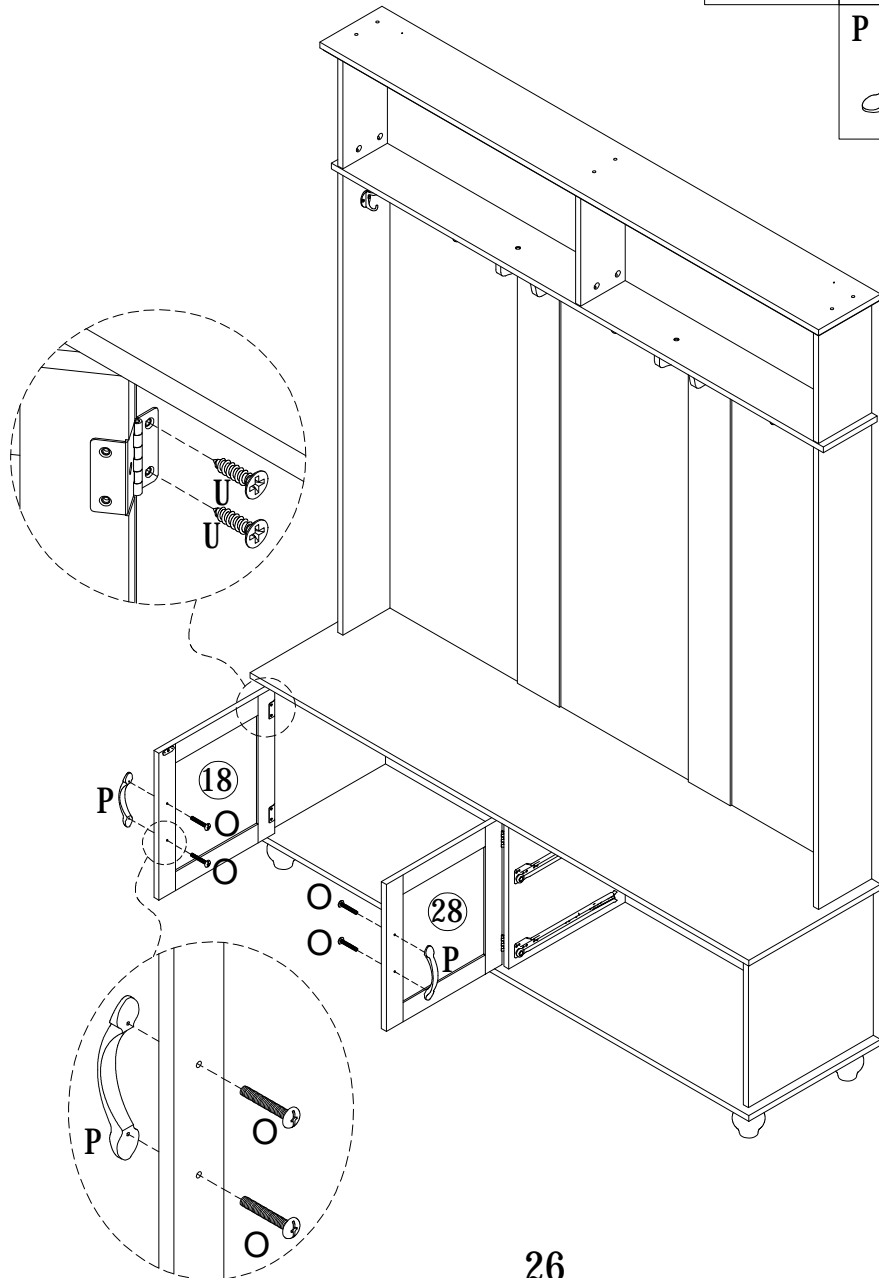


U 8PCS  Ø3.5*12mm	Q2 2PCS 
	Q3 2PCS 

25

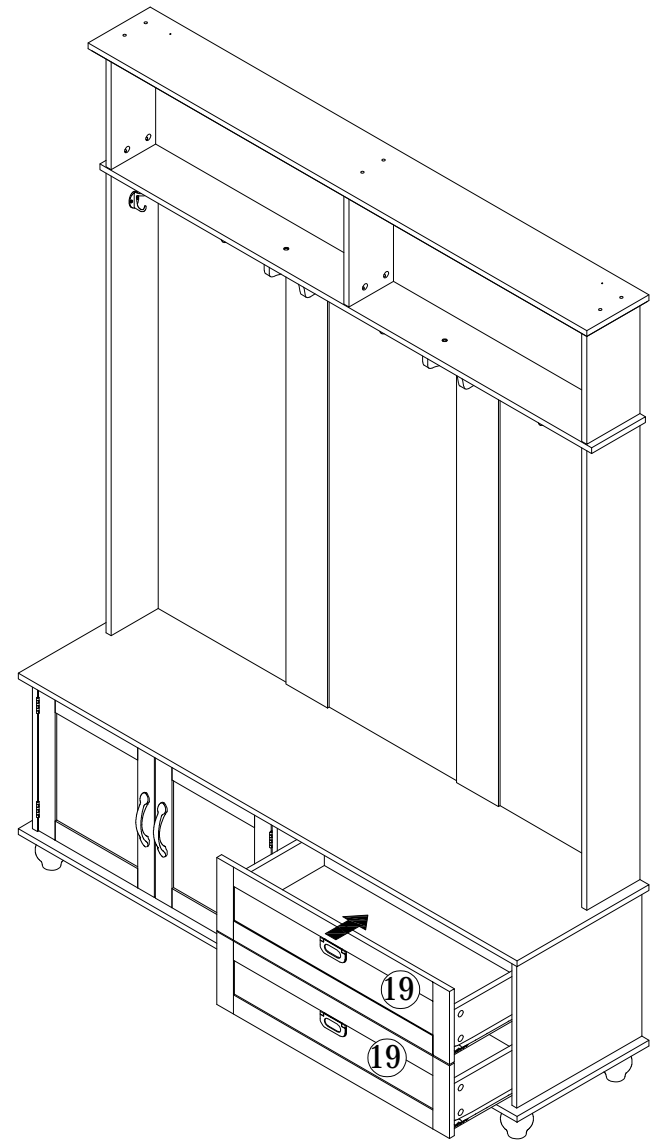
26

U 8PCS  Ø3.5*12mm	O 4PCS  18mm
P 2PCS 	



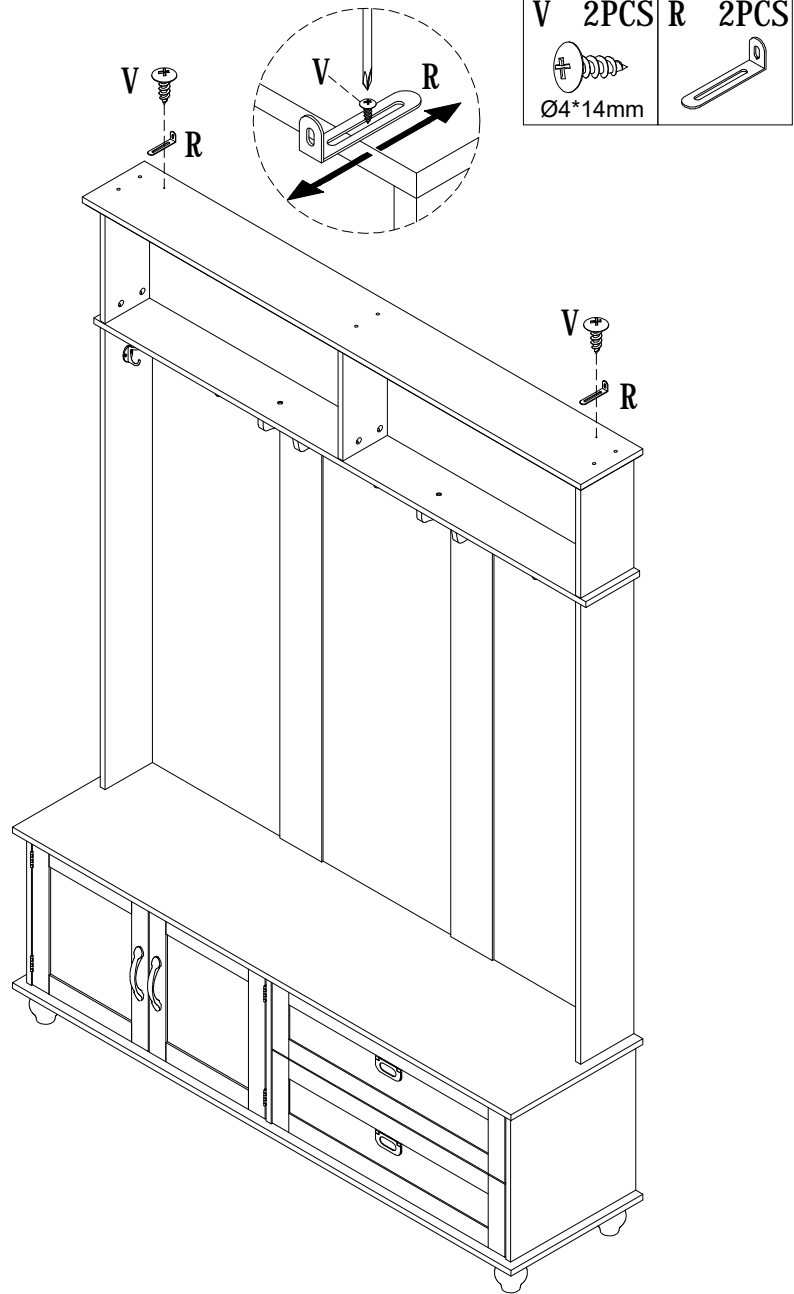
26

27



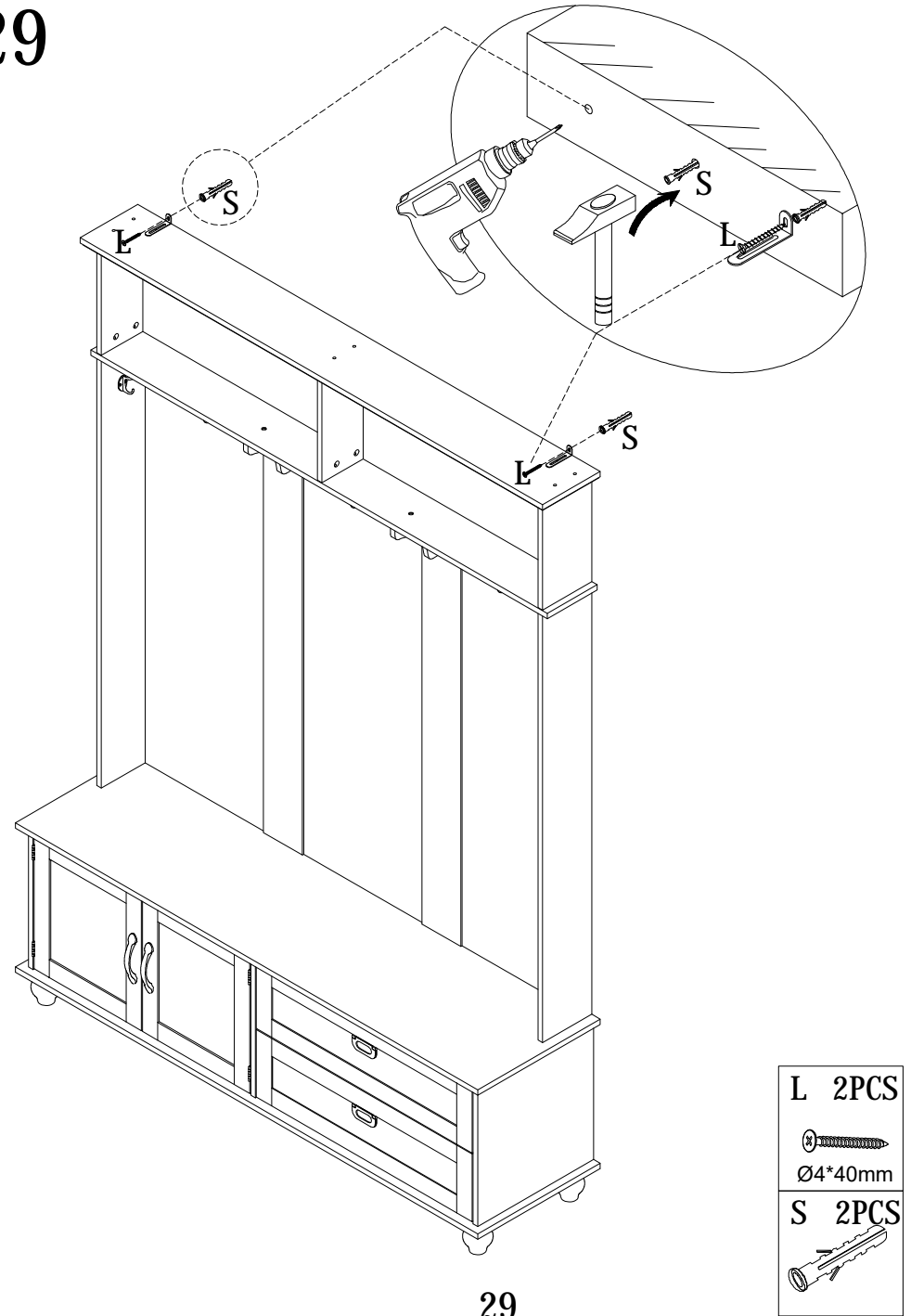
27

28



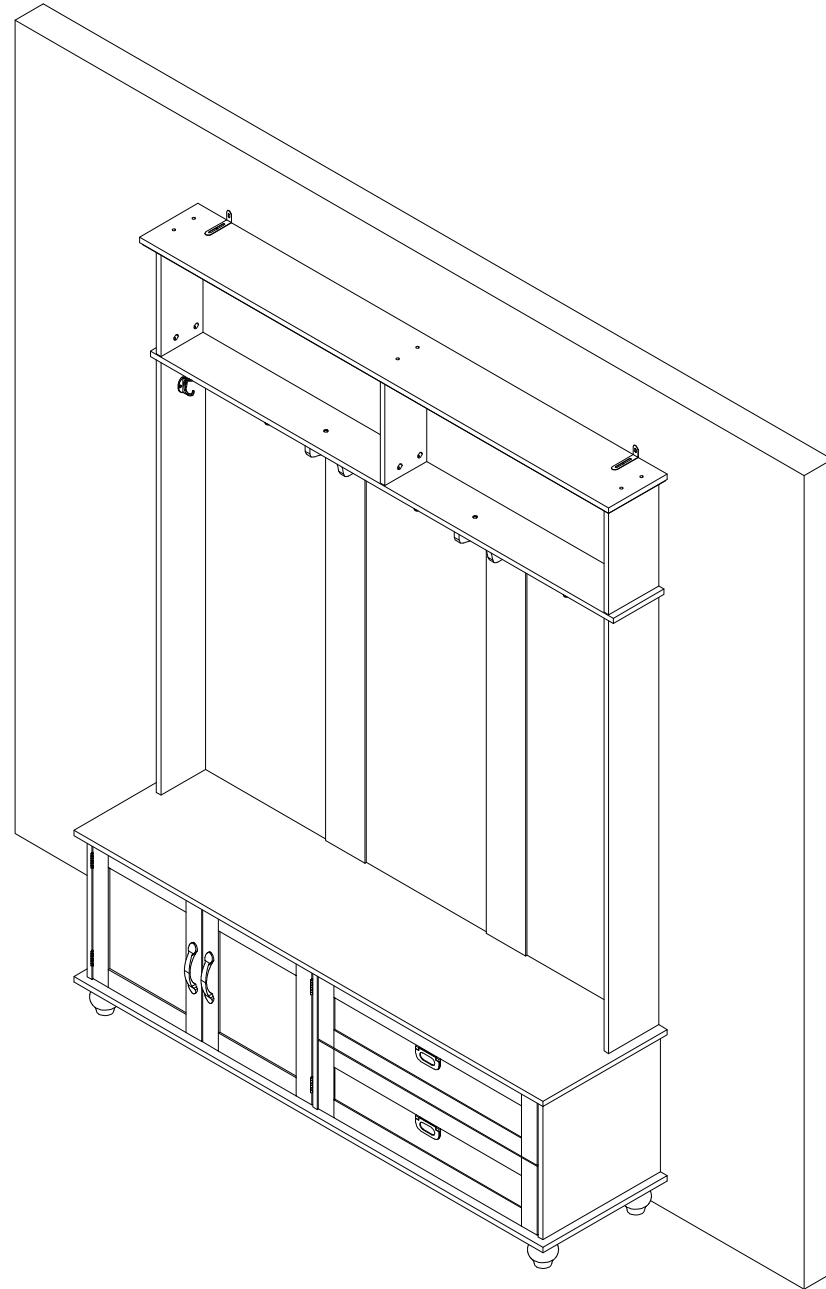
28

29



29

30



30