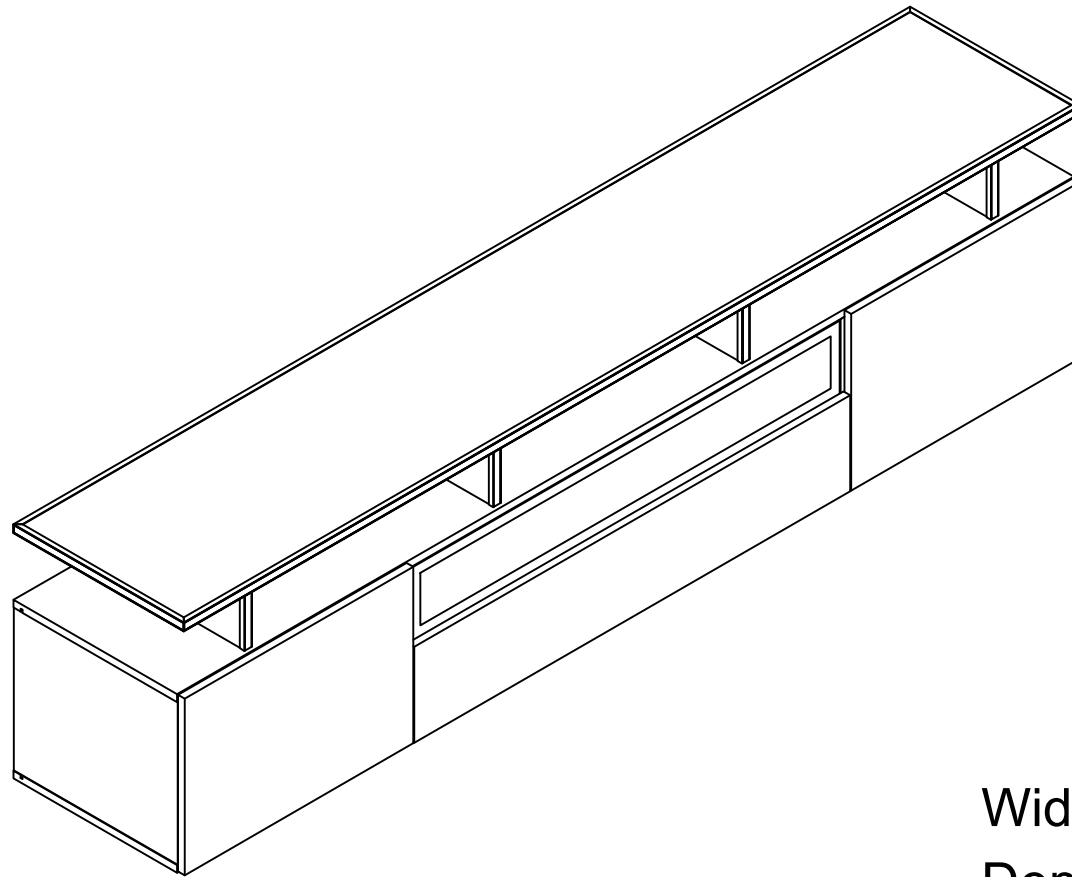
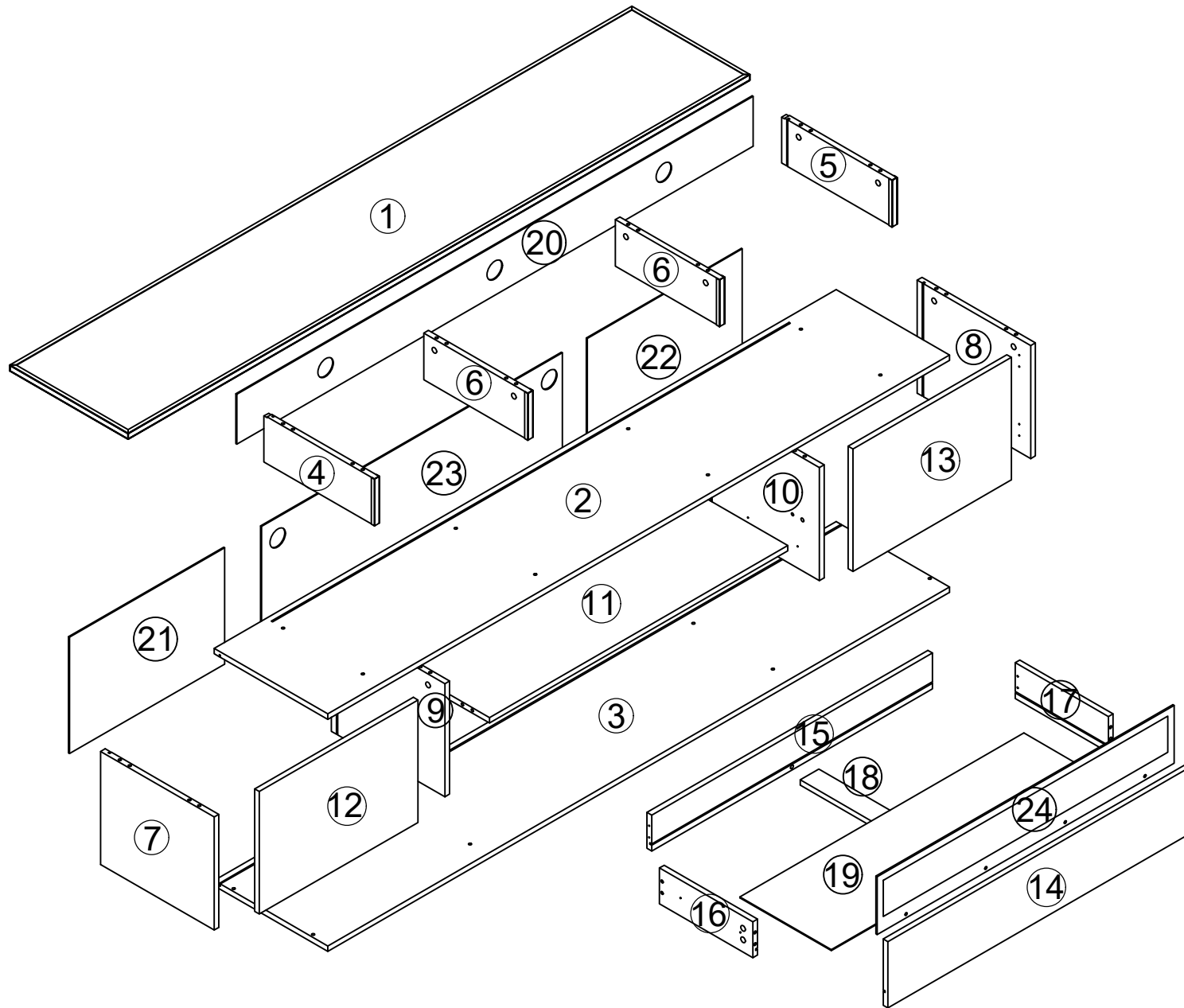


# TV Stand



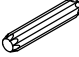
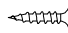
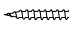
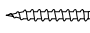

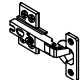
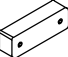


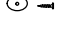
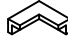


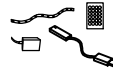


Width-76.77inch  
Depth-14.96inch  
Height-20.08inch

Note: No. 1 12 13 14 board with protective film. Please tear it off after installation!

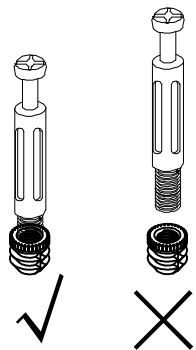


TOOLS 

<p>A</p>  <p>26+2PCS</p>	<p>B</p>  <p>26+2PCS</p>	<p>C</p> <p>8*40</p>  <p>20+2PCS</p>
<p>D</p> <p>3.5*14</p>  <p>38+2PCS</p>	<p>E</p> <p>3.5*25</p>  <p>12+1PCS</p>	<p>F</p> <p>3.5*35</p>  <p>4PCS</p>
<p>G</p> <p>7*50</p>  <p>16+1PCS</p>	<p>H</p>  <p>4PCS</p>	<p>I</p>  <p>6PCS</p>
<p>J</p> <p>6*10</p>  <p>4PCS</p>	<p>K</p> <p>K1</p>  <p>K2</p>  <p>3PCS</p>	<p>L</p>  <p>4PCS</p>
<p>M</p>  <p>300mm</p> <p>M1 M2</p>  <p>1PCS</p>		
<p>LED</p>  <p>1PCS</p>		

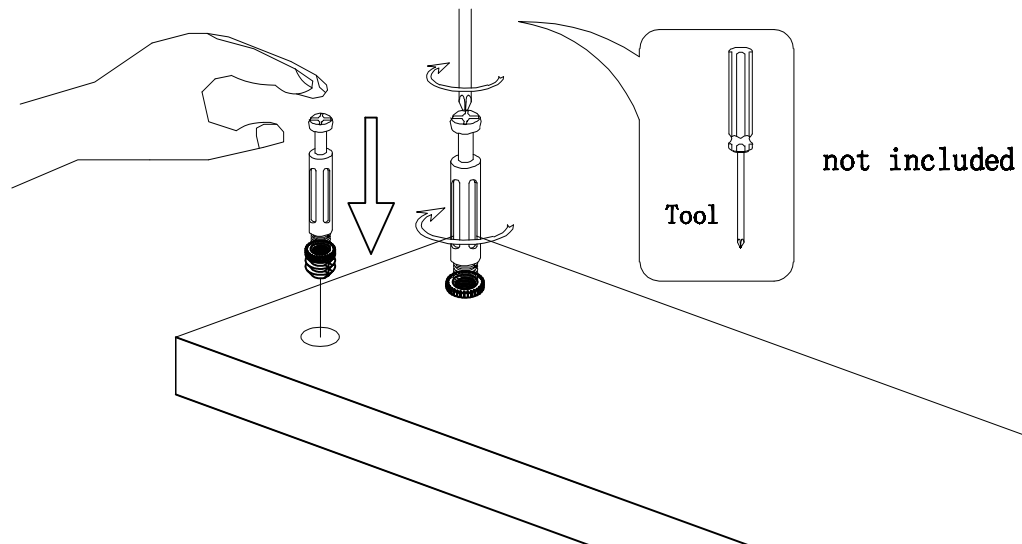
# "A" Hardware installation example

I

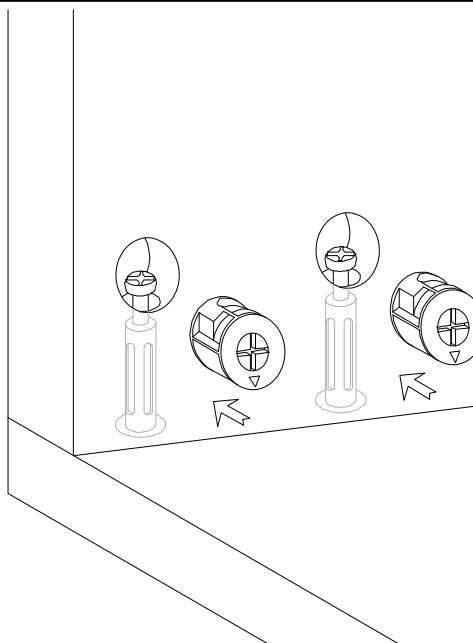


This part cannot be separated,  
please install in strict  
accordance with the assembly  
requirements

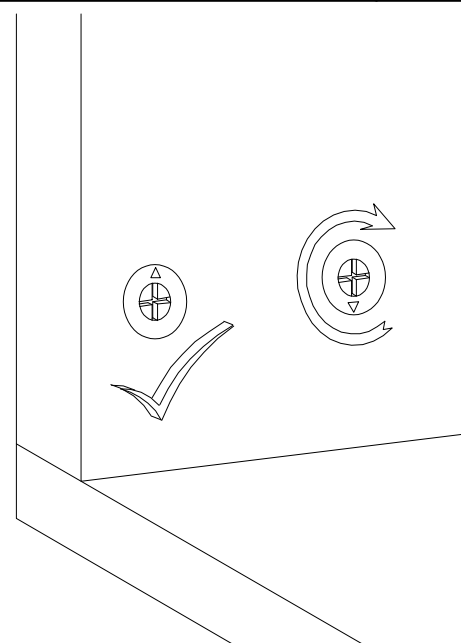
II

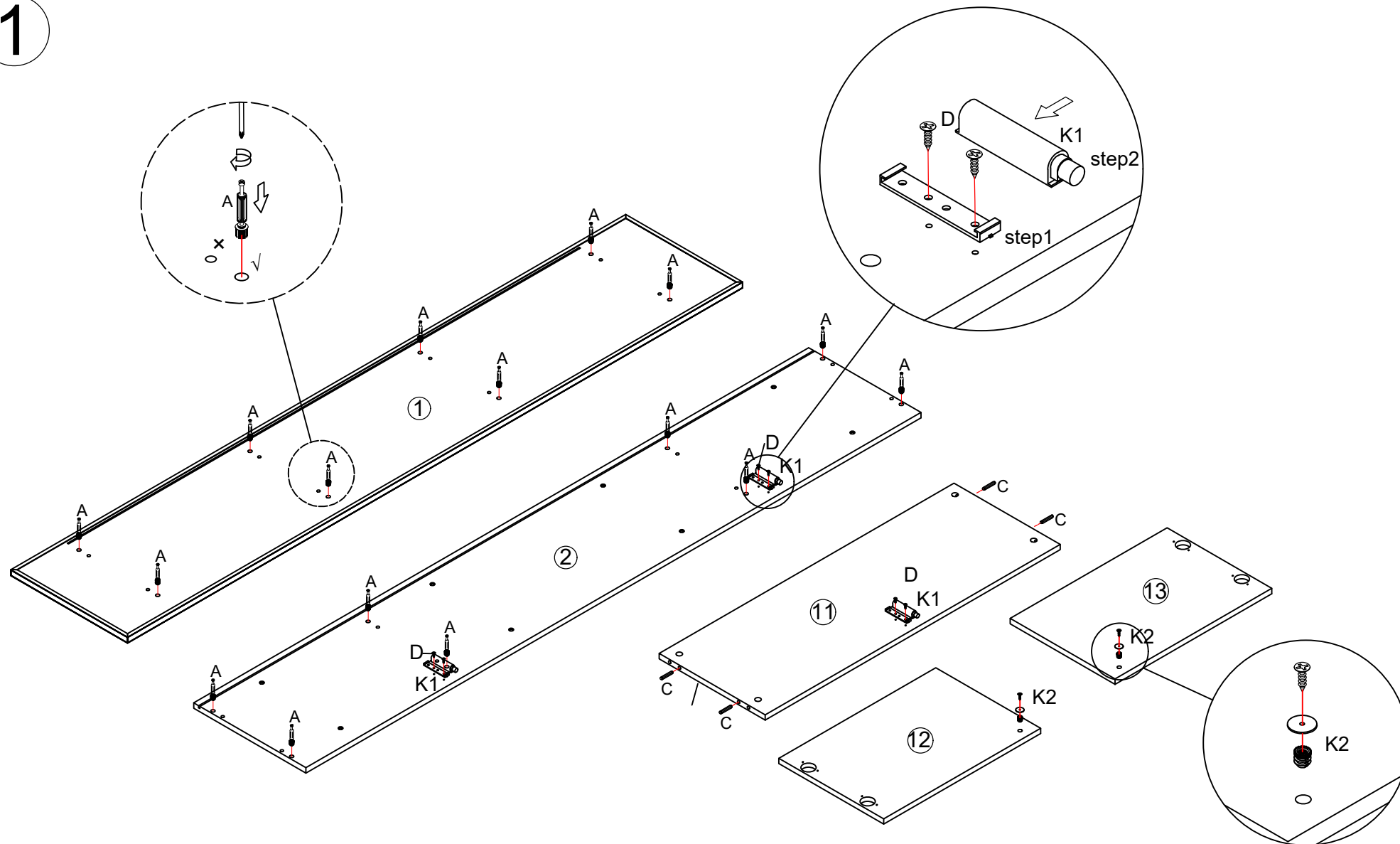



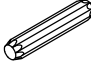
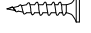
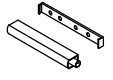

III

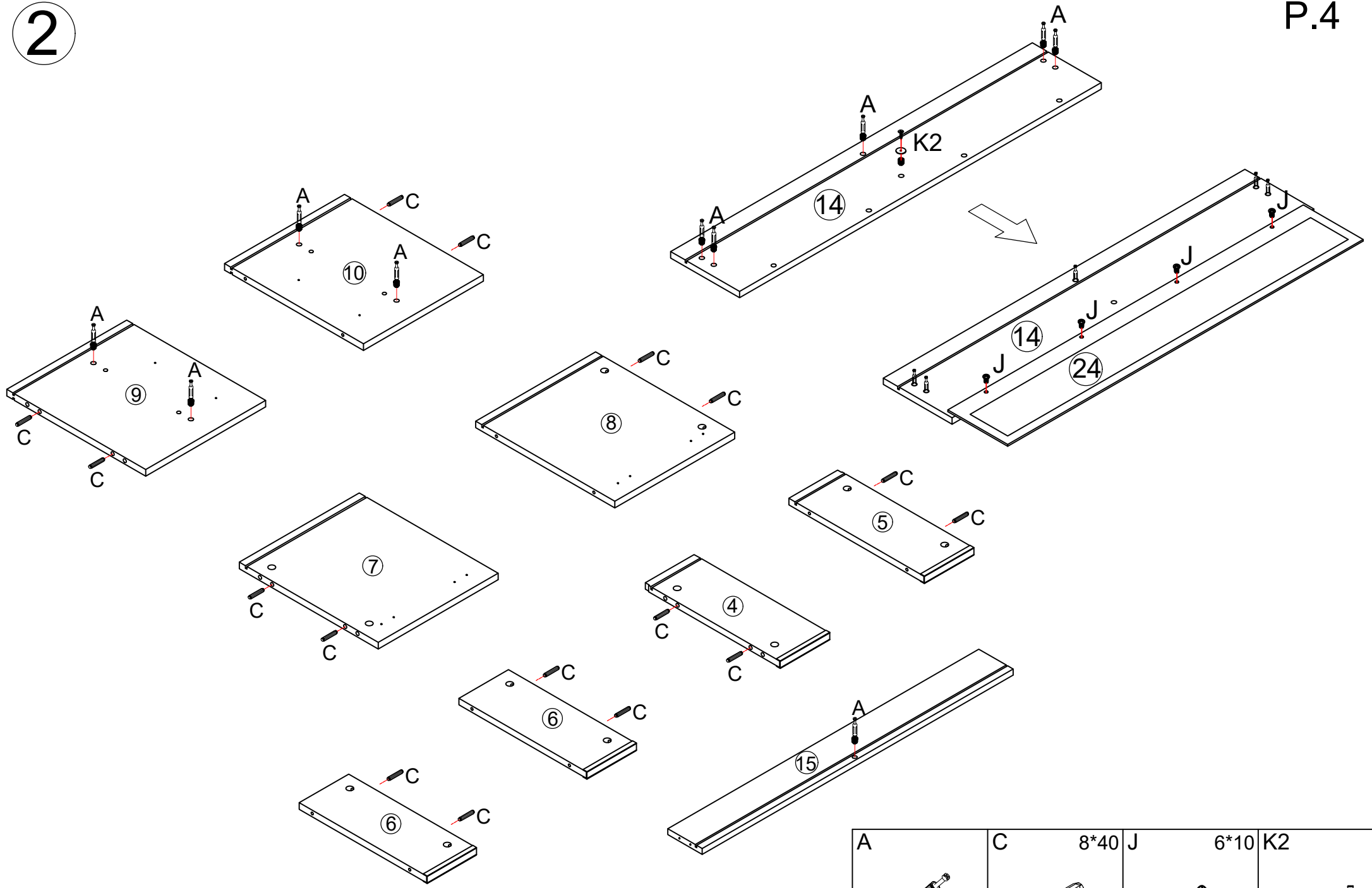


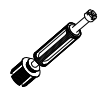
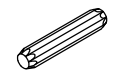


IV



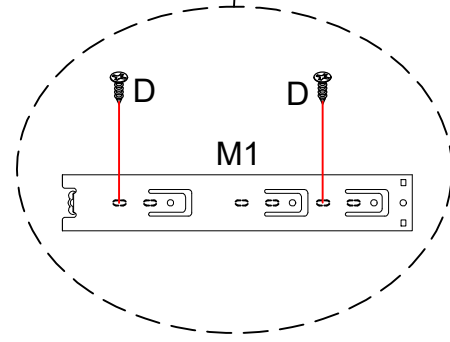
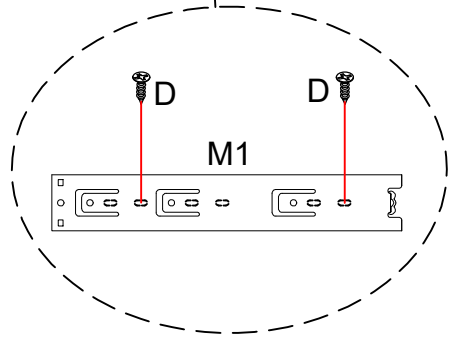
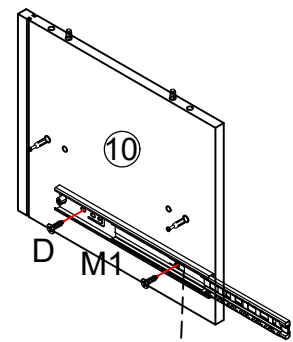
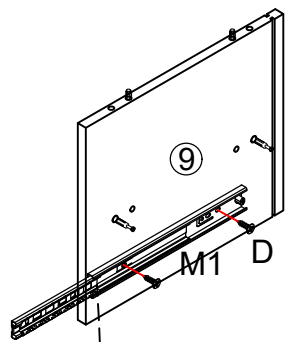
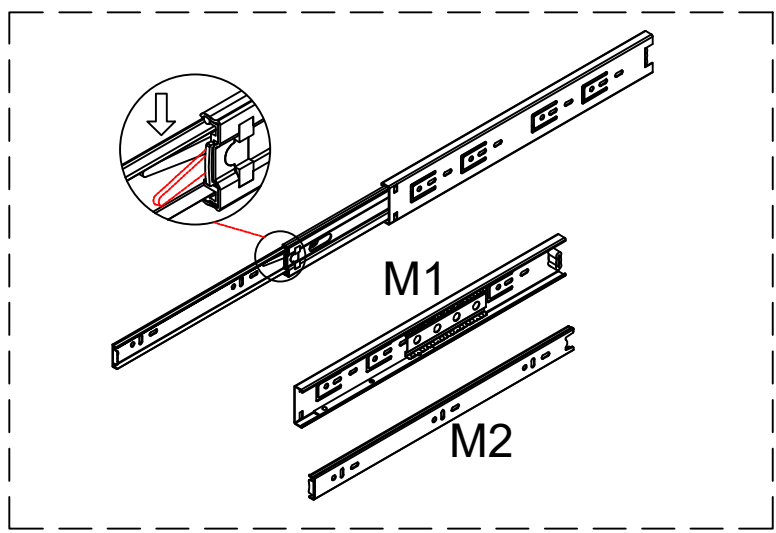


A	C	D	K1	K2
				
16PCS	4PCS	6PCS	3PCS	2PCS

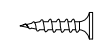


A	C	J	K2
			
10PCS	16PCS	4PCS	1PCS

3

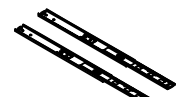


D 3.5\*14



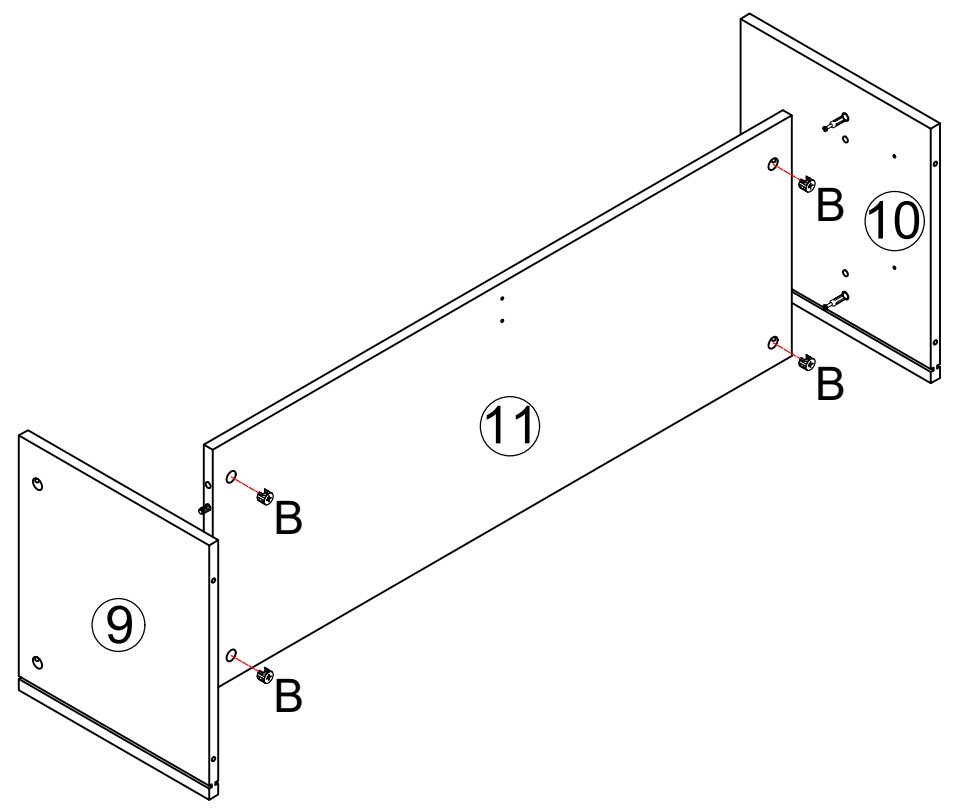
4PCS

M1



1PCS

P.5



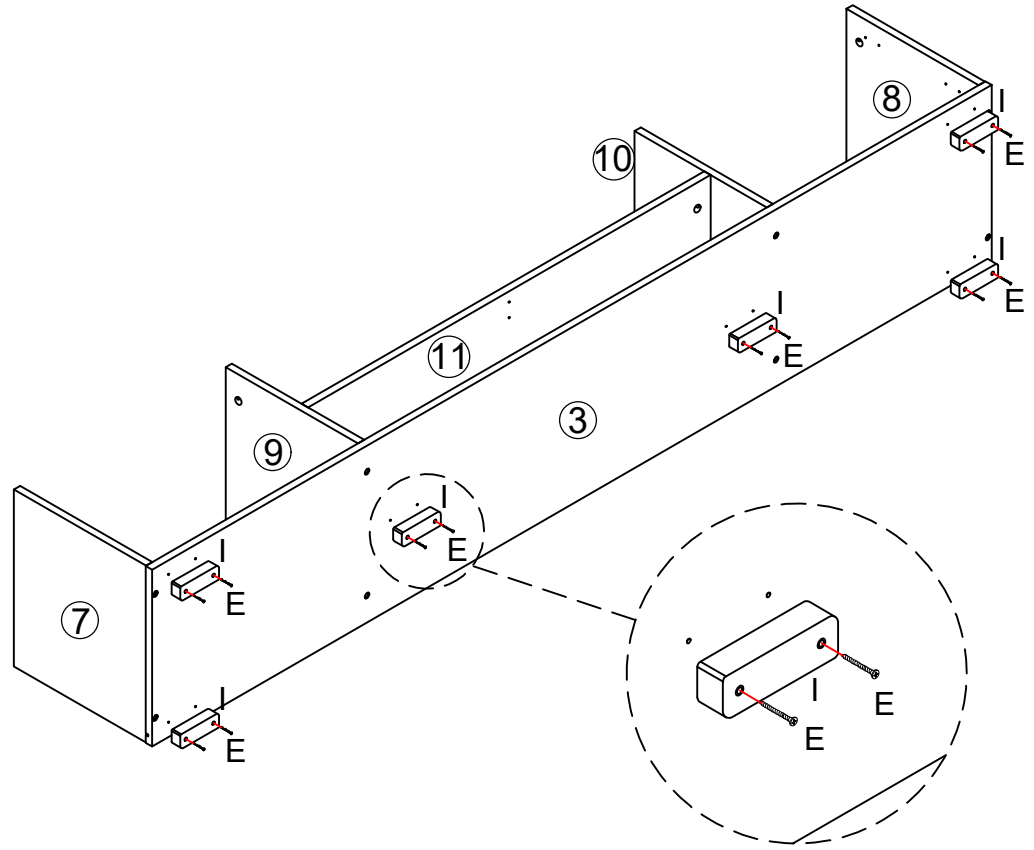
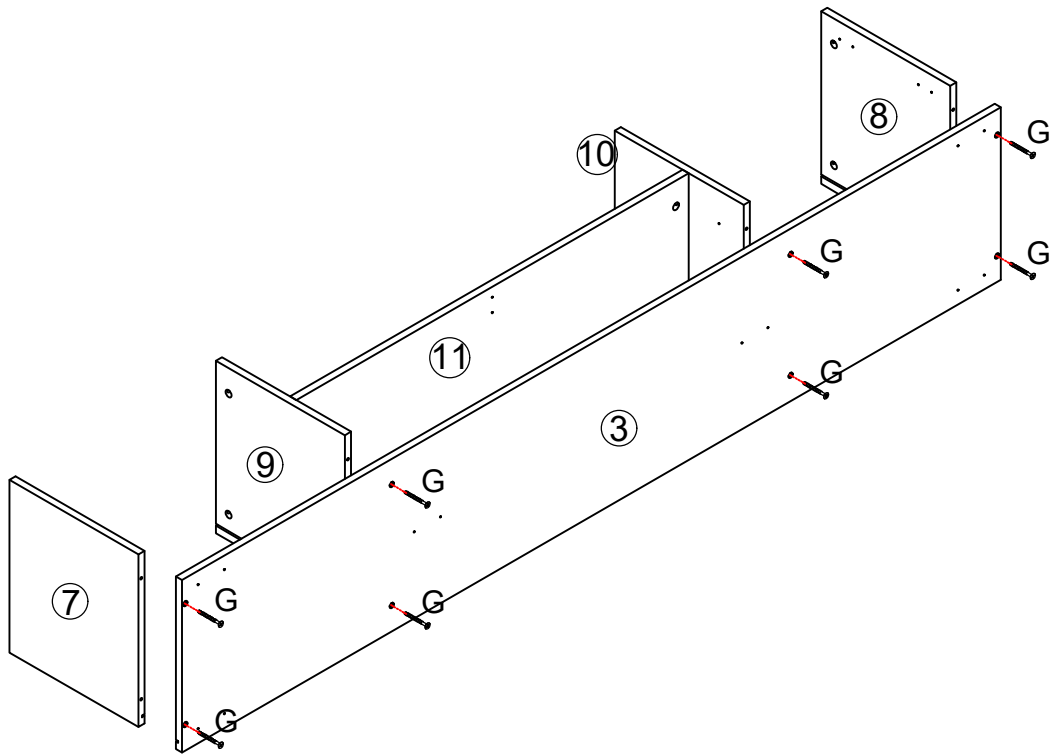
B

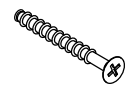


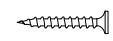
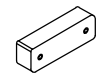
4PCS

4

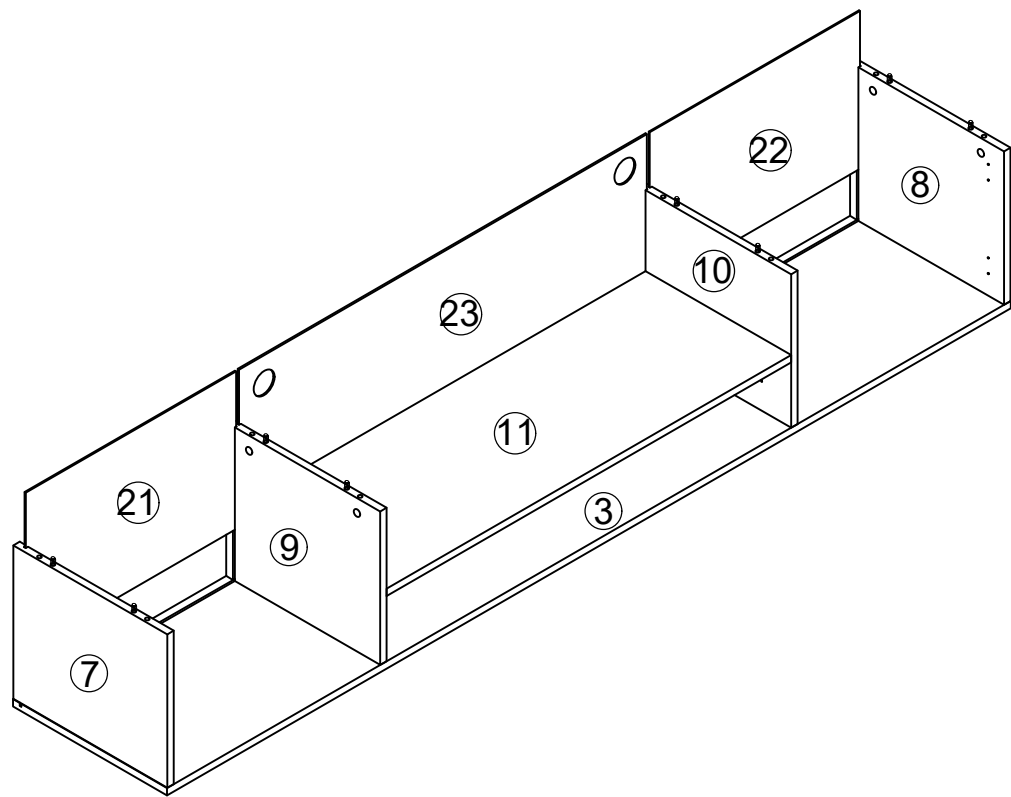
P.6



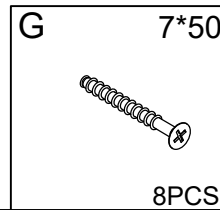
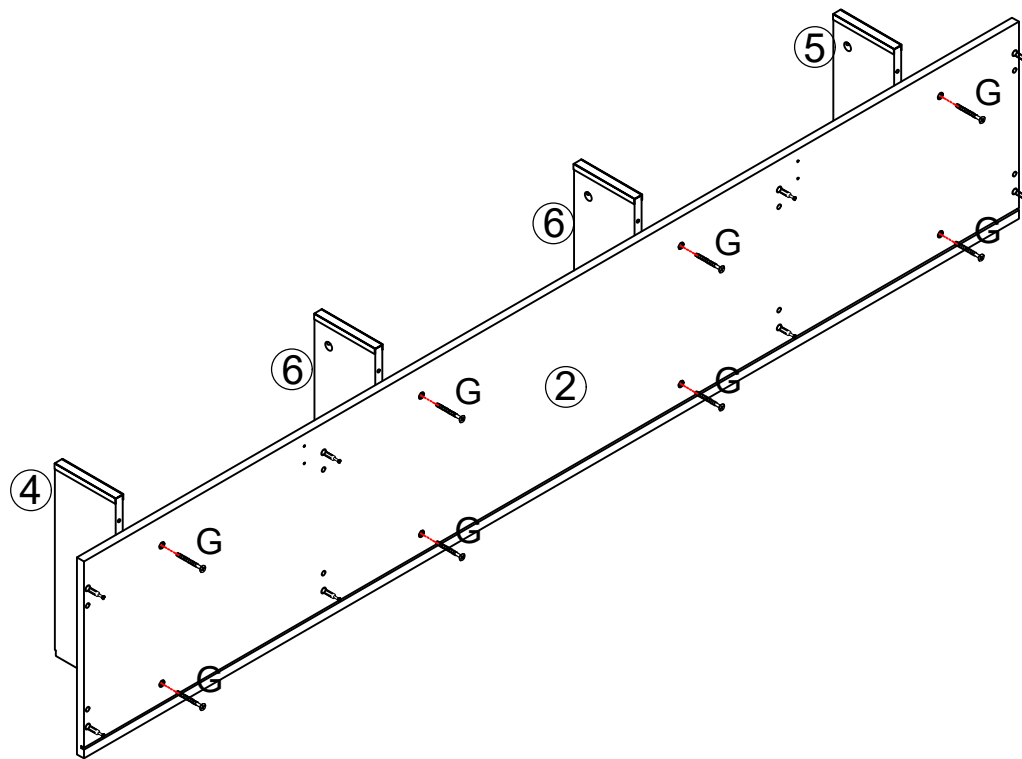
G	7*50
	
	8PCS

E	3.5*25	I
		
	12PCS	6PCS

5

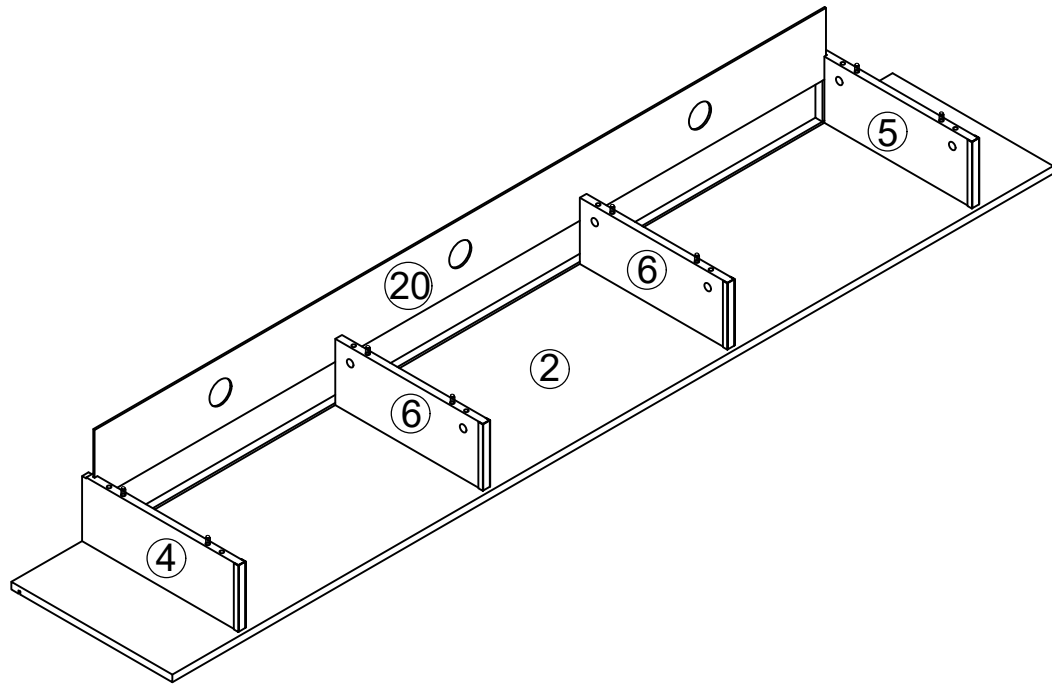


P.7

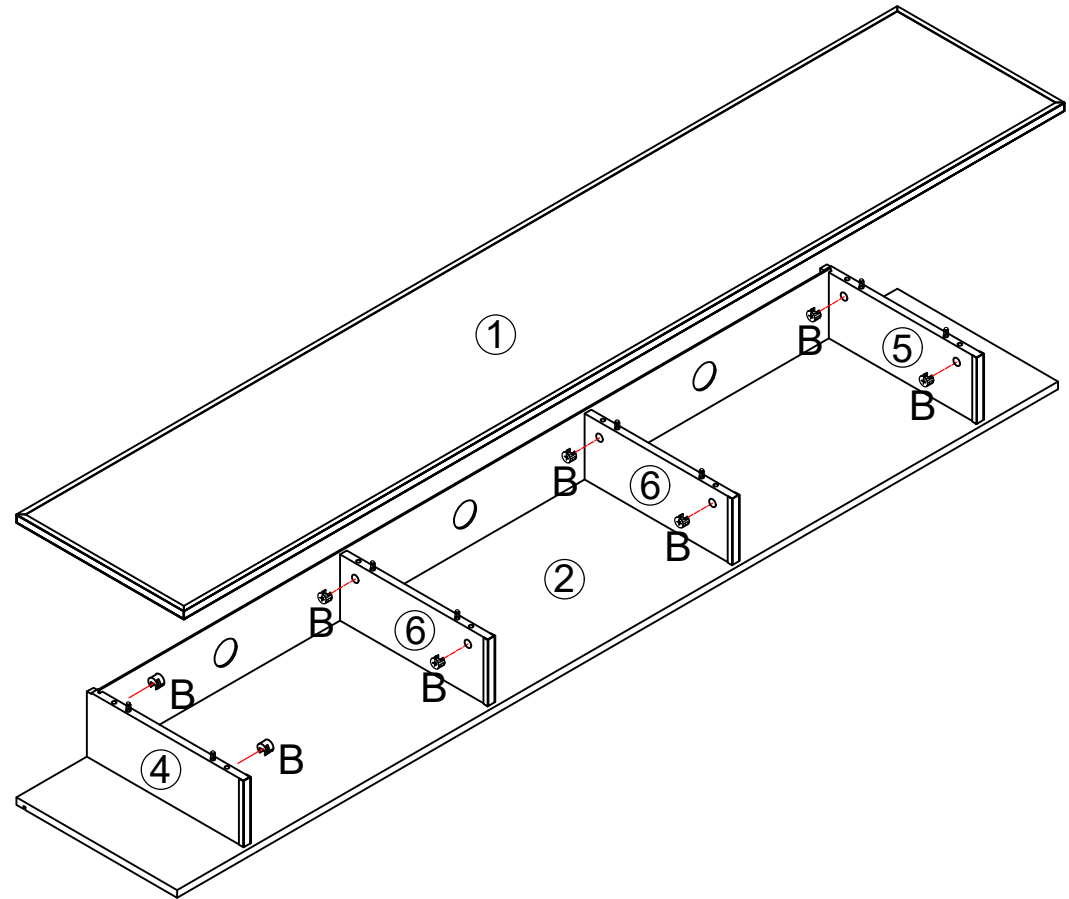




6



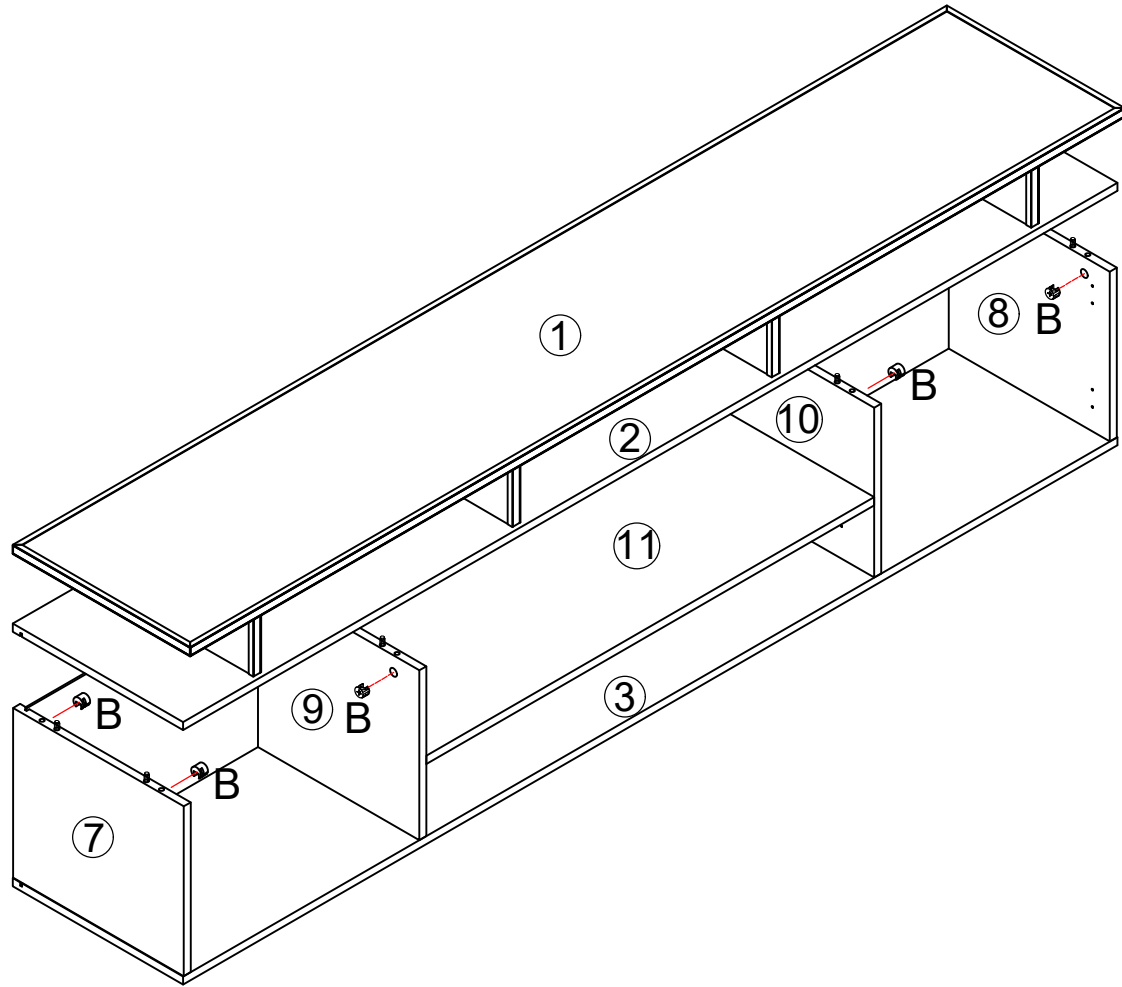
P.8



B



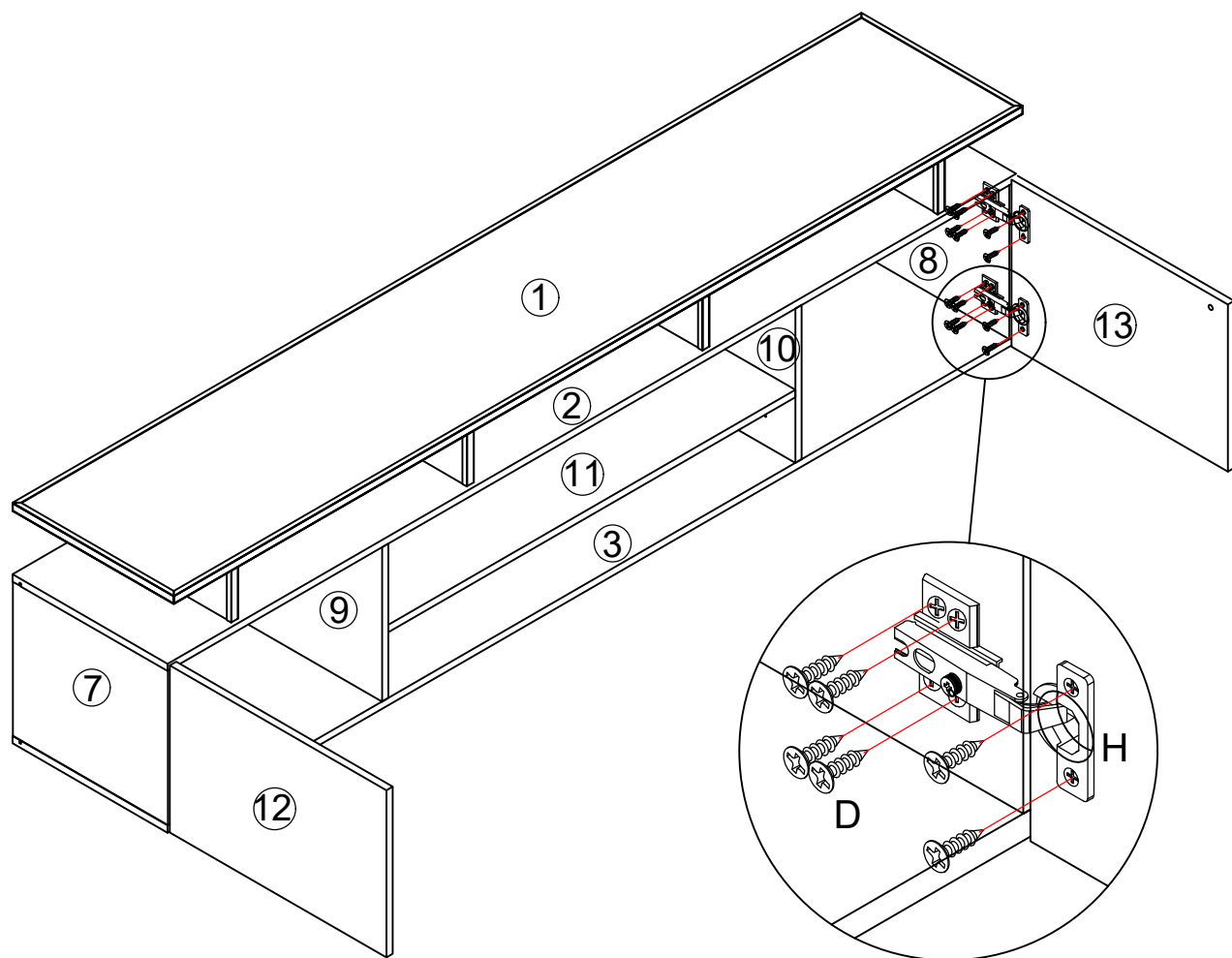
8PCS



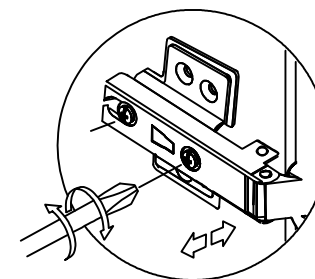
B



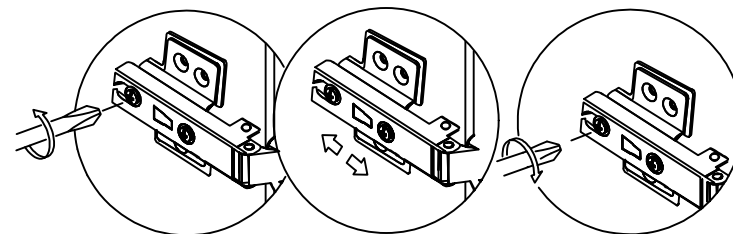
8PCS



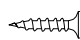
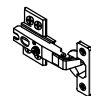
If the door can't close, please adjust the hinges.

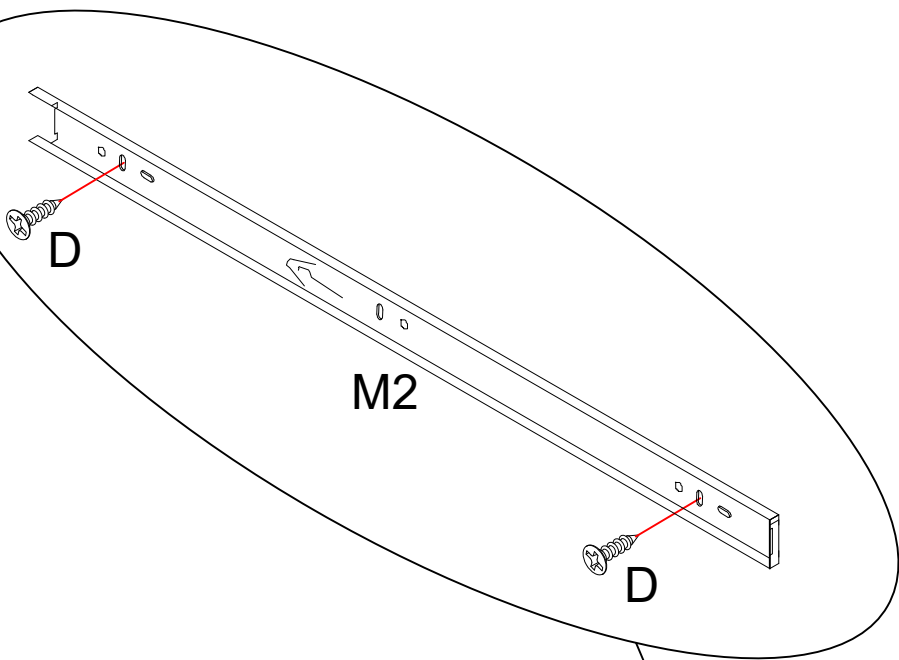
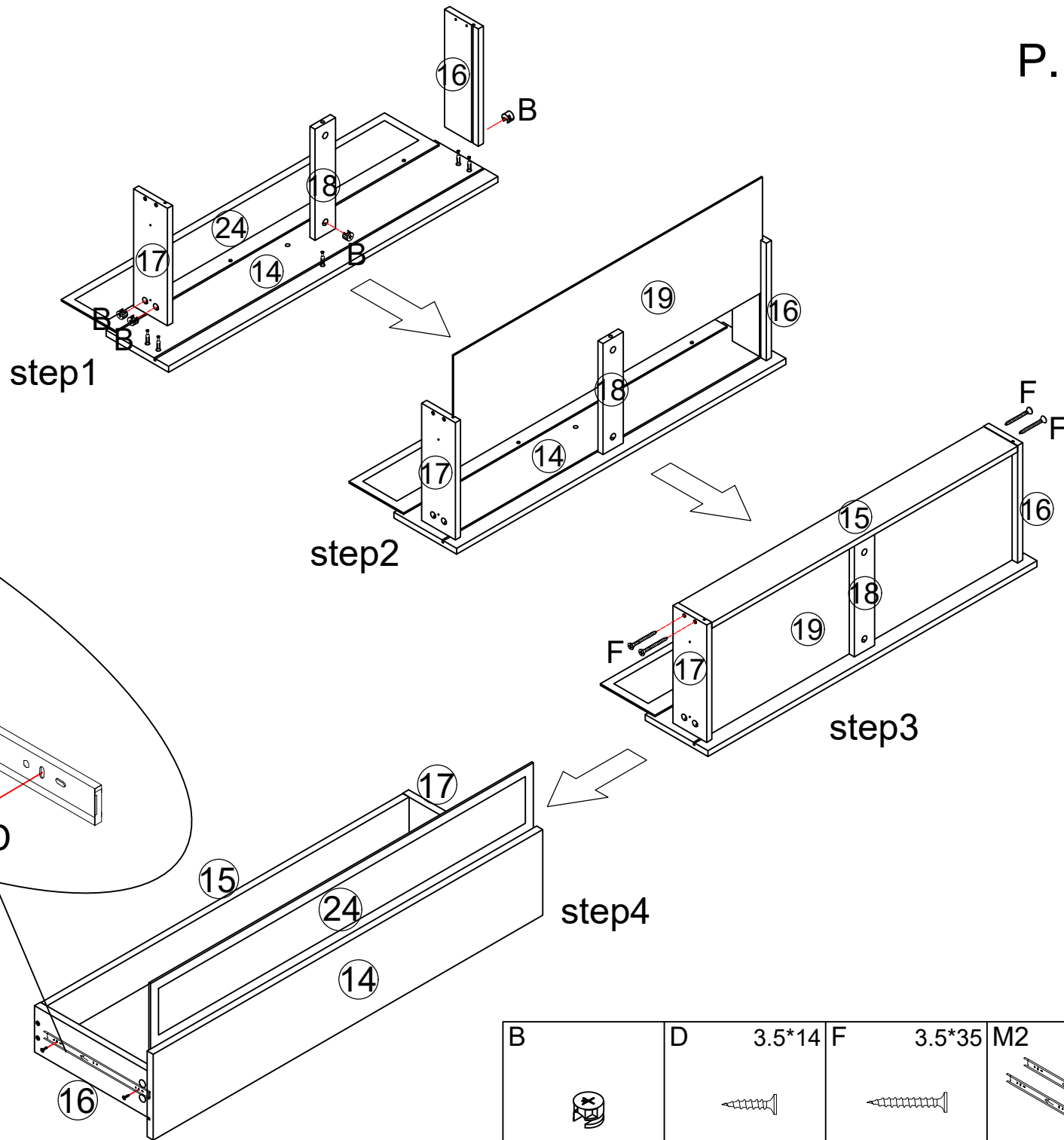



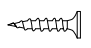
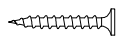
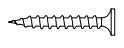

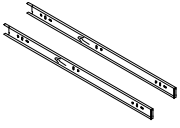
This is used to adjust the door panel in the up and down direction.

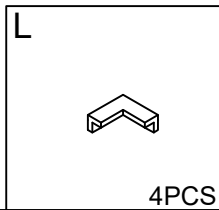
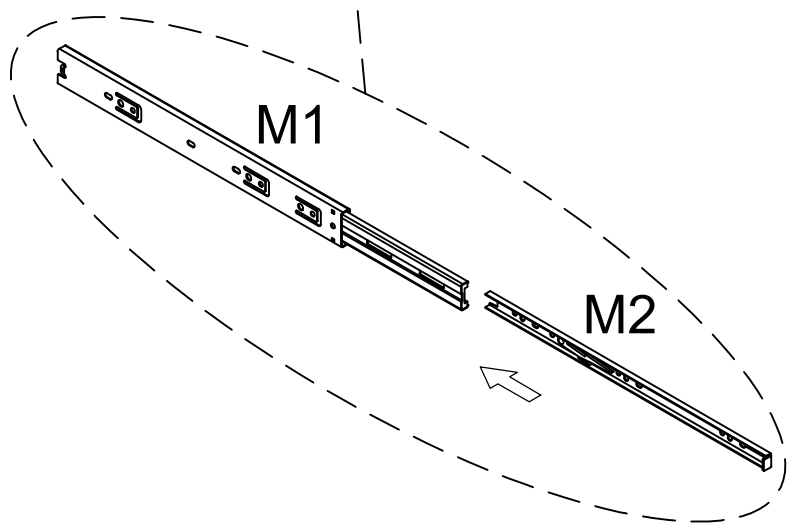
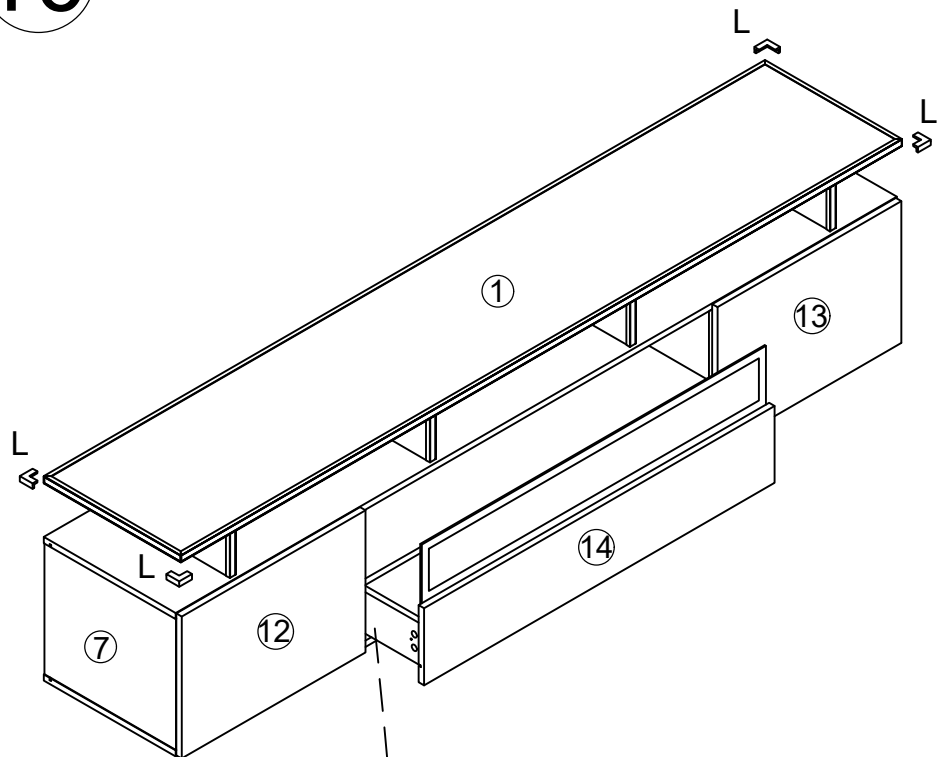


This is used to adjust the door panel in the front and back direction: Loosen the screw first, and then tighten screw after adjusting the door panel to the proper position.

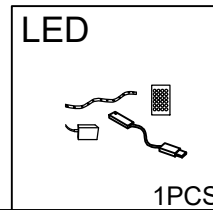
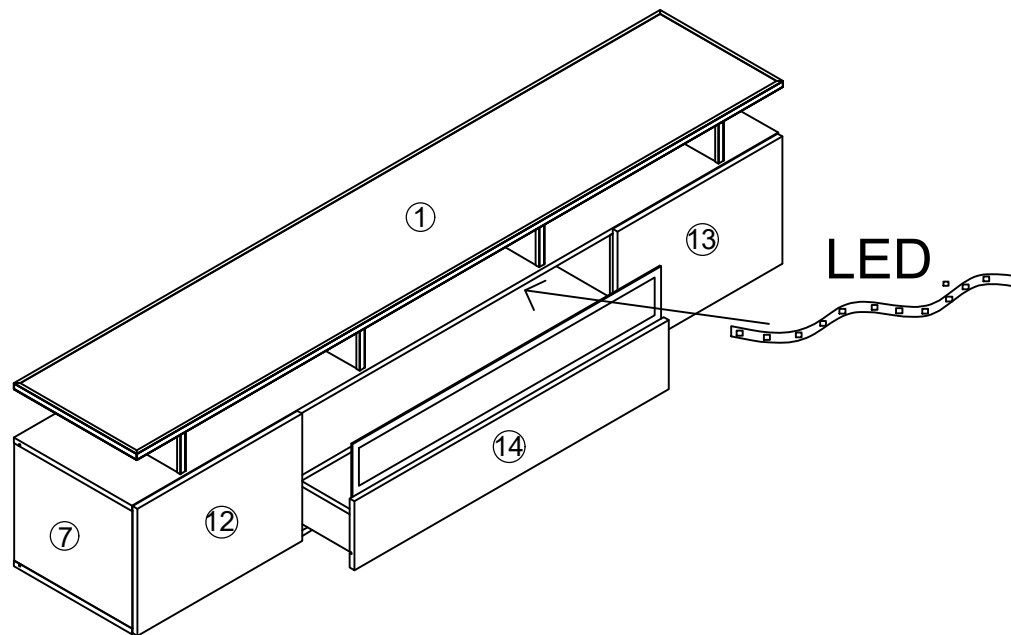
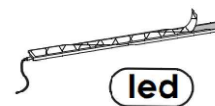
D	3.5*14	H
		
24PCS		4PCS



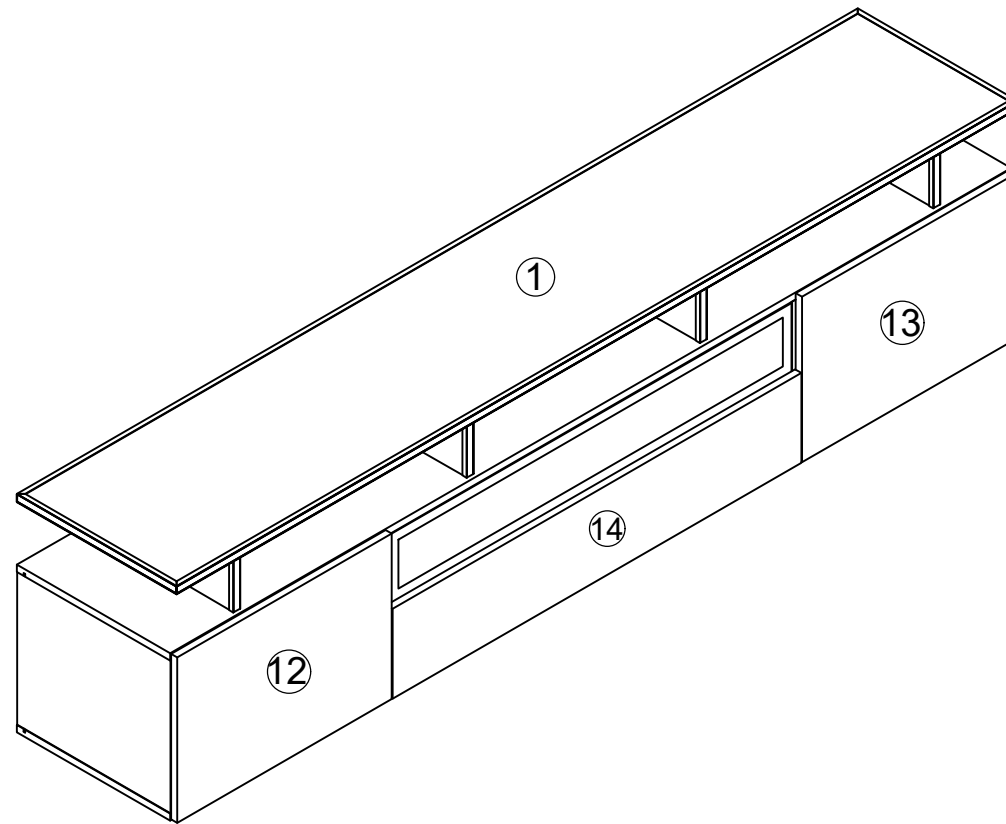
B	D	3.5*14	F	3.5*35	M2
					
6PCS	4PCS	4PCS	4PCS	1PCS	



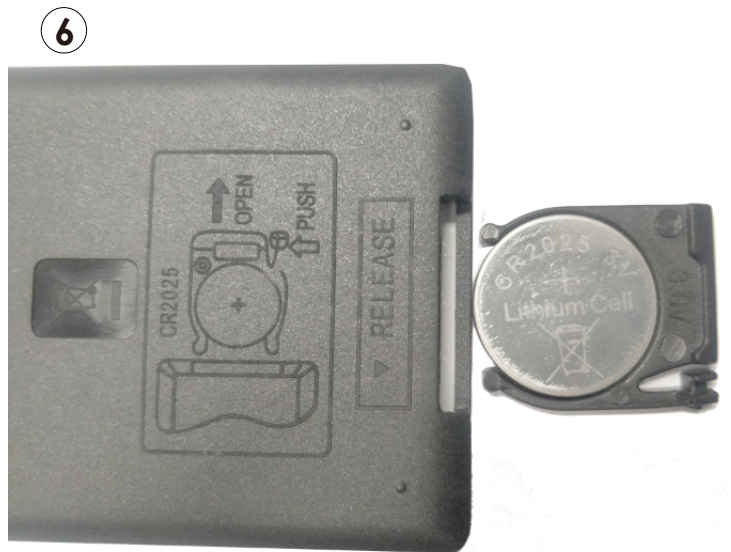
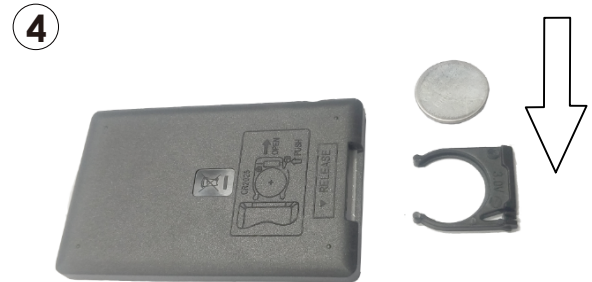
LED light tape stick to the lower side of the board ②



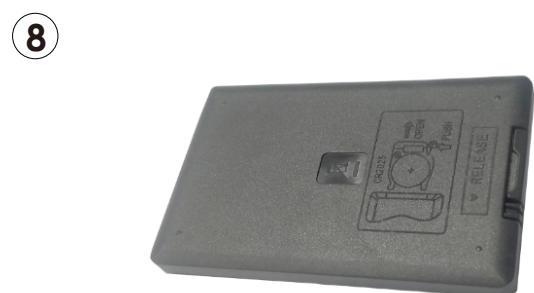
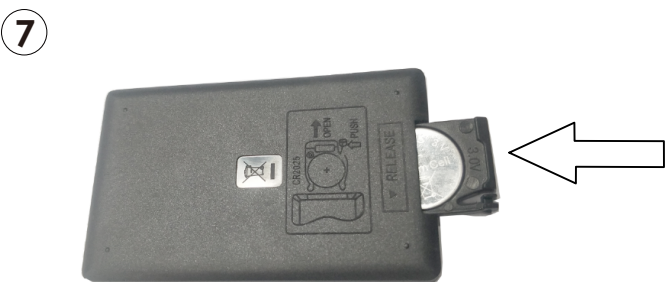
Note: No. 1 12 13 14 board with protective film. Please tear it off after installation !



NOTE: The battery in the remote control requires you to purchase and install it yourself.  
Model: CR2025 3. V



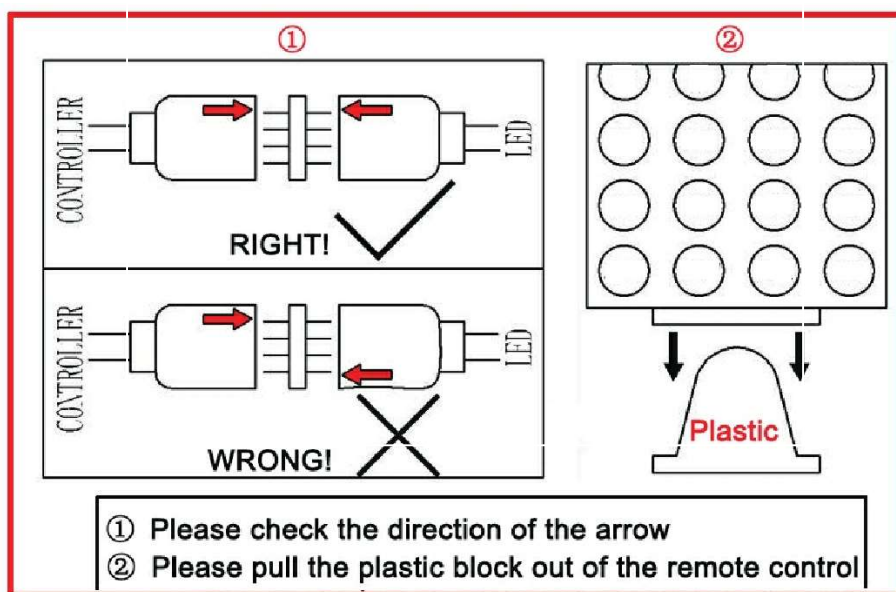
Modell : CR2025 3.V



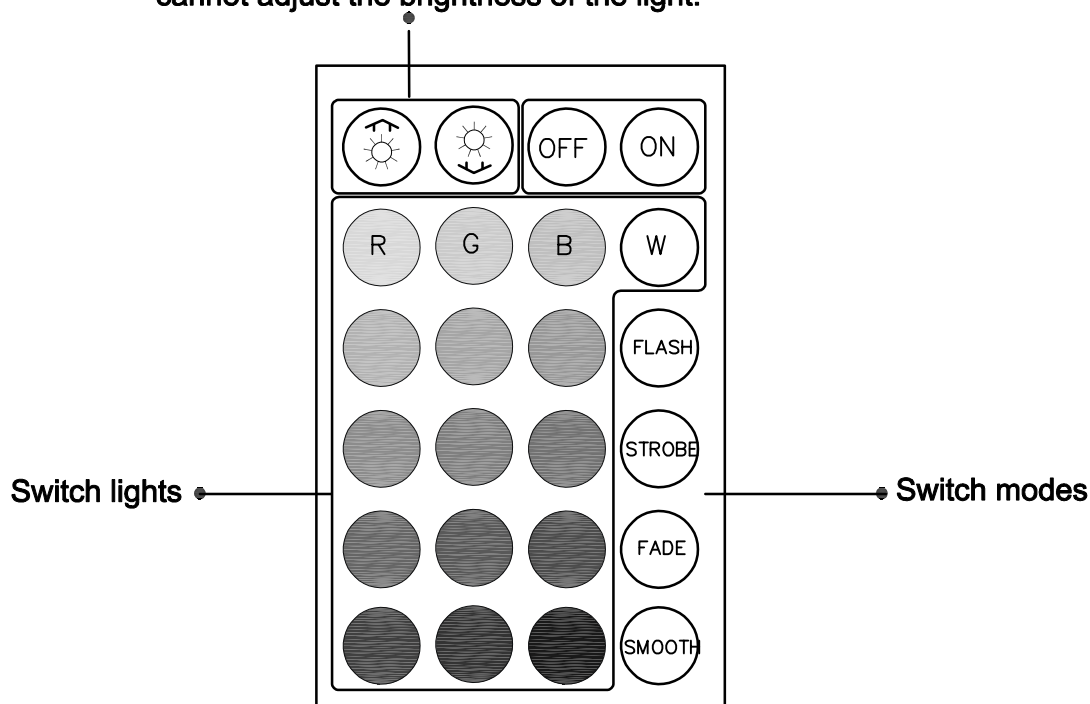
## LED light

If you can't let the lights work successfully, please check the following:

1. Please check the direction of the connect, try it in the opposite direction, according to the following picture.
2. Please check the remote control, it need you to tear down the plastic septum before use it.
3. Don't let the remote control too far from the receiver, make sure there is no obstruction between them.
4. When using the remote control, please make sure to aim at the receiver, not the light strip



**Remark:** These two buttons are invalid because the product cannot adjust the brightness of the light.



Please note that for transportation safety, the remote control does not contain batteries; the attery model is: CR2025