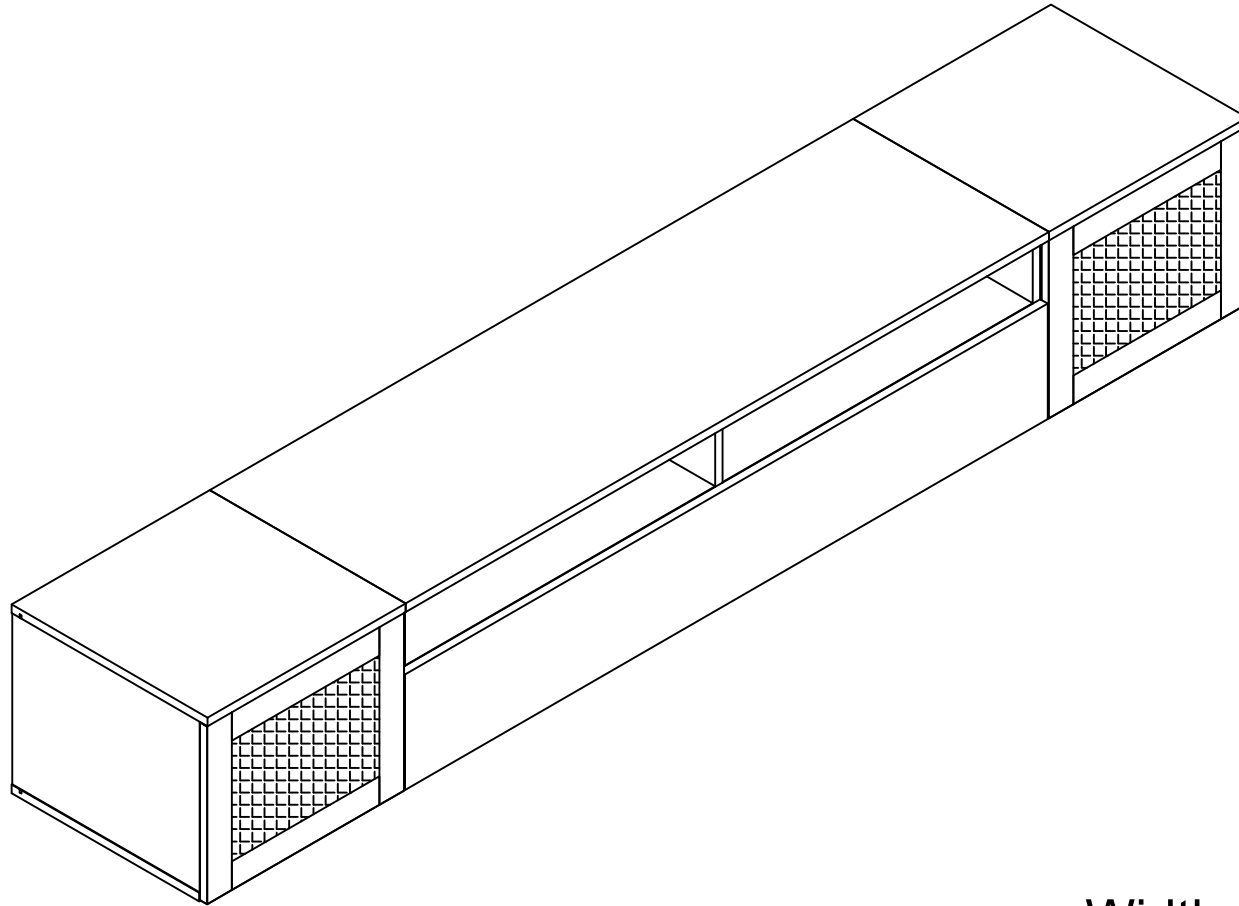


TV Stand



Width-82.68inch
Depth-15.59inch
Height-13.78inch



Safety and Care Advice

Important – Please read these instructions fully before starting assembly

- Check you have all the components and tools listed on the following pages.
- Remove all fittings from the plastic bags and separate them into their groups.
- Keep children and animals away from the work area, small parts could choke if swallowed.
- Make sure you have enough space to layout the parts before starting.

- During assembly do not stand or put weight on the product, this could cause damage.
- Assemble the item as close to its final position (in the same room) as possible.
- Assemble on a soft level surface to avoid damaging the unit or your floor.
- Parts of the assembly will be easier with 2 people.



power drill is set on a low torque setting.

- To reduce the likelihood of damaging your product please ensure that your

Care and maintenance

- Only clean using a damp cloth and mild detergent, do not use bleach or abrasive cleaners.
- From time to time check that there are no loose screws on this unit.
- This product should not be discarded with household waste. Take to your local authority waste disposal centre.

Handy Hints

- Assemble all parts and bolts loosely during assembly, only once the product is complete should you fully tighten the bolts
- Regularly check and ensure That all bolts and fittings are tightend properly.

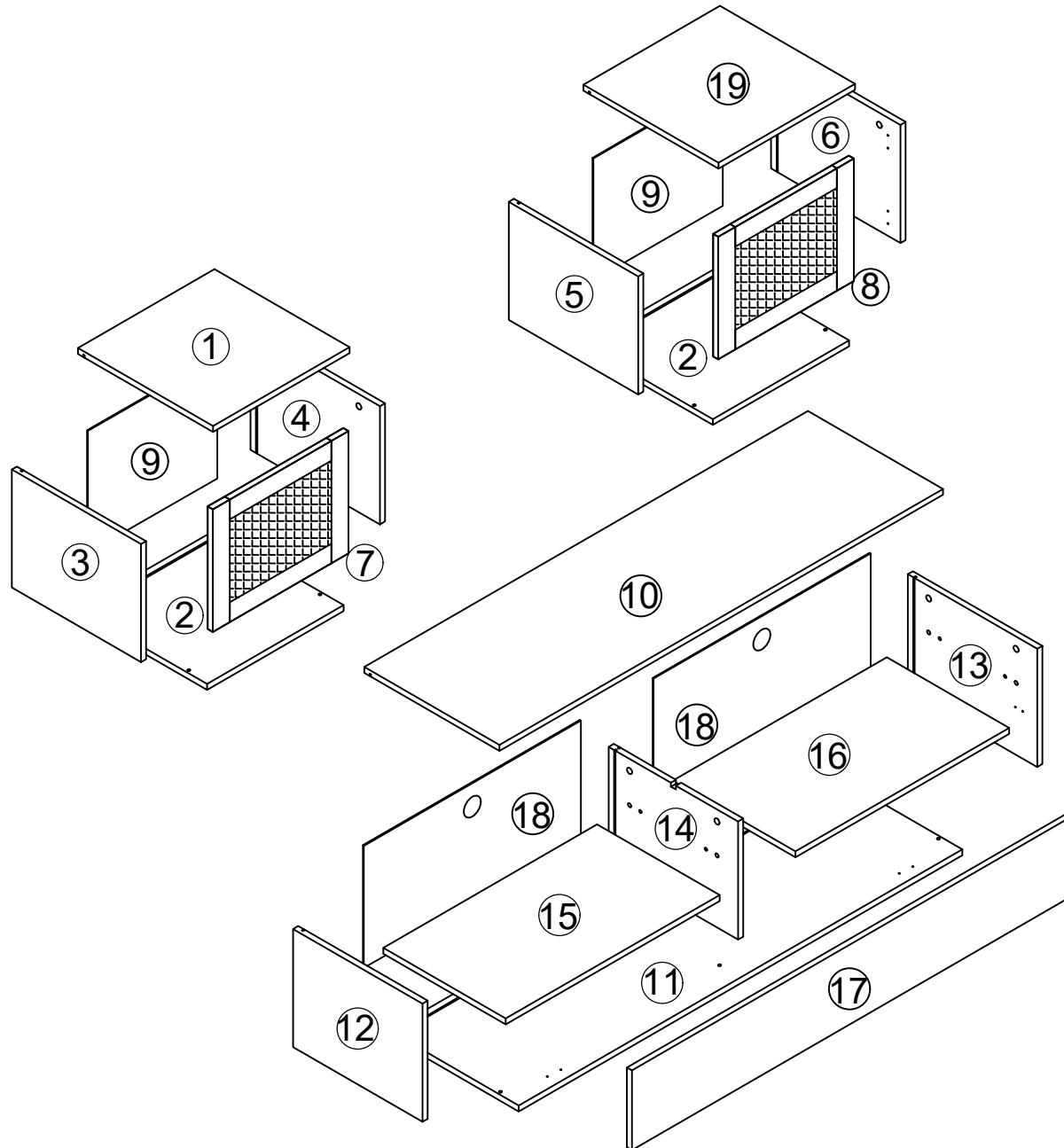
WARNING
In order to help prevent overturning – please follow these instructions

To help prevent product toppling over please follow the below steps:-



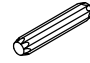

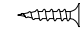
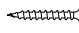
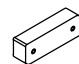
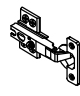
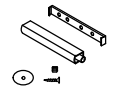
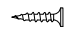


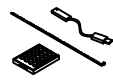
- Use the anti tip stap or wall fixing method provided (if applicable)
- Do not allow children to climb or hang on the furniture
- Do not open more than one drawer at a time
- Do not place heavy items in the top drawers
- Do not place heavy items on top of the furniture, unless the furniture has been designed for this purpose

PLEASE NOTE: Part number **7**, Part number **8**, Part number **17** are covered with a tight plastic protective film.

If there are scratches on the product after disassembly, please don't worry, it's not product damage. Please slowly tear off the protective plastic film on the surface along the edge. After peeling off, the product becomes smooth and clean.

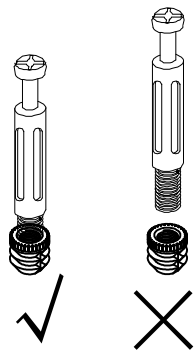


TOOLS 

<p>A</p>  <p>22+2PCS</p>	<p>B</p>  <p>22+2PCS</p>	<p>C</p> <p>8*40</p>  <p>22+2PCS</p>
<p>D</p> <p>7*50</p>  <p>14+1PCS</p>	<p>E</p> <p>3.5*14</p>  <p>46+2PCS</p>	<p>F</p> <p>3.5*25</p>  <p>26+2PCS</p>
<p>G</p>  <p>13PCS</p>	<p>H</p>  <p>6PCS</p>	<p>I</p>  <p>3PCS</p>
<p>J</p> <p>3*12</p>  <p>6PCS</p>	<p>K</p>  <p>2PCS</p>	<p>L</p>  <p>6PCS</p>
<p>LED</p>  <p>1PCS</p>		

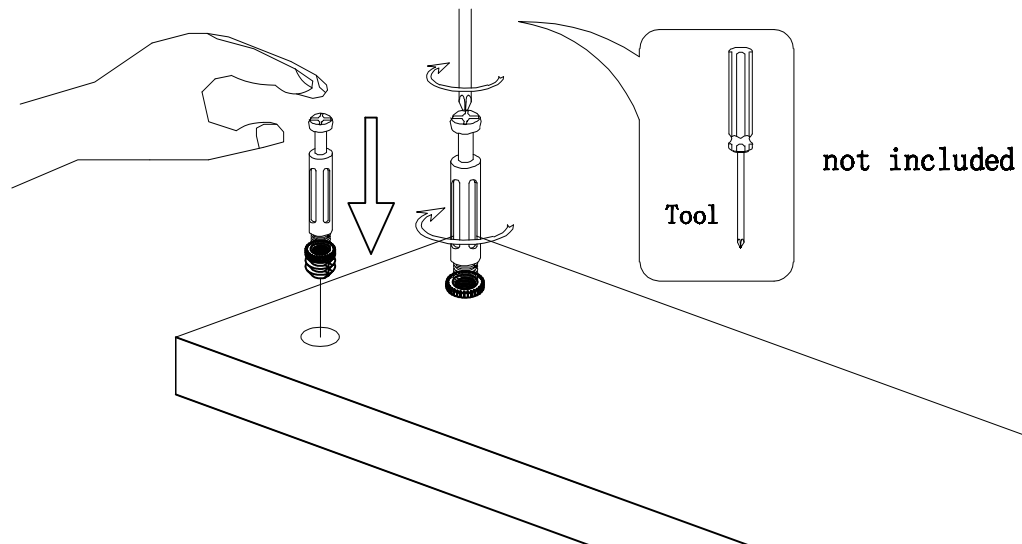
"A" Hardware installation example

I

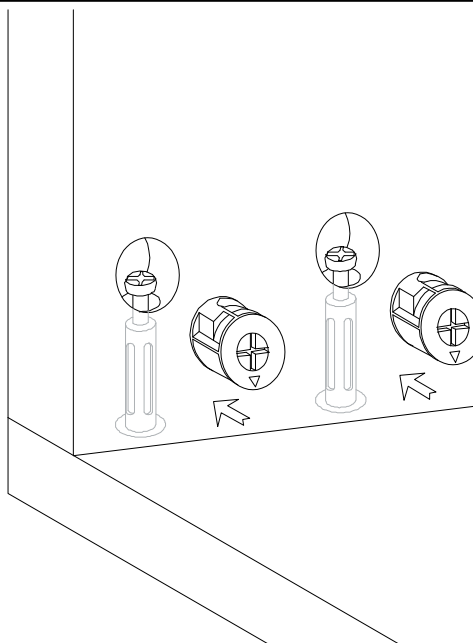


This part cannot be separated,
please install in strict
accordance with the assembly
requirements

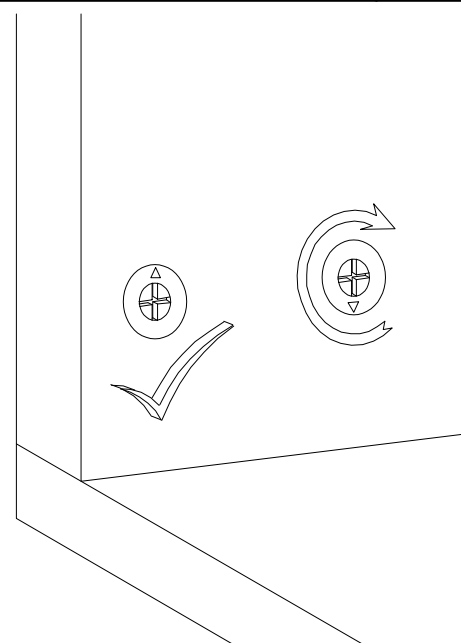
II

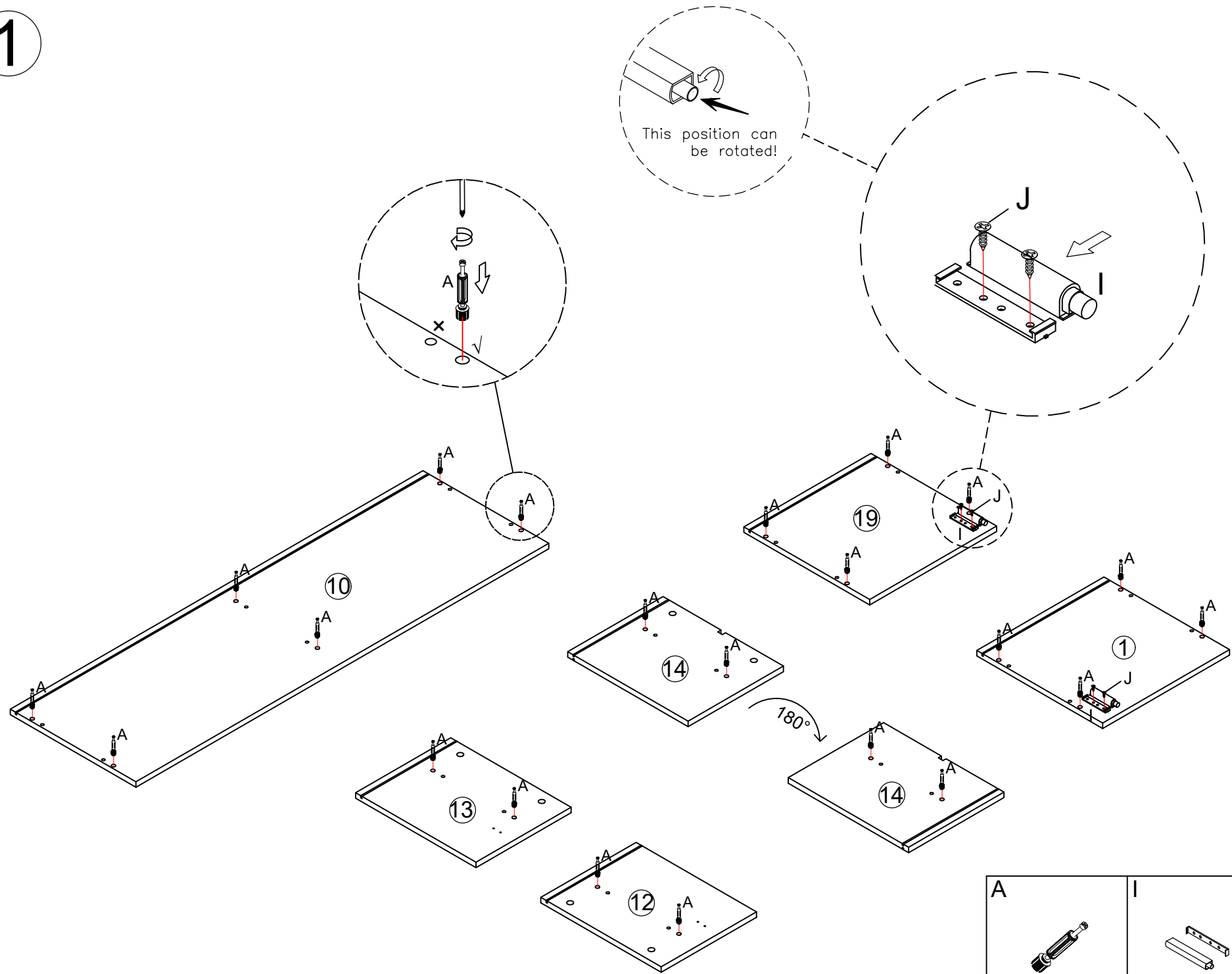


III



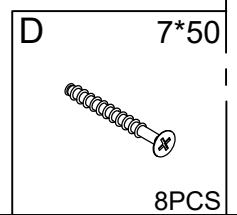
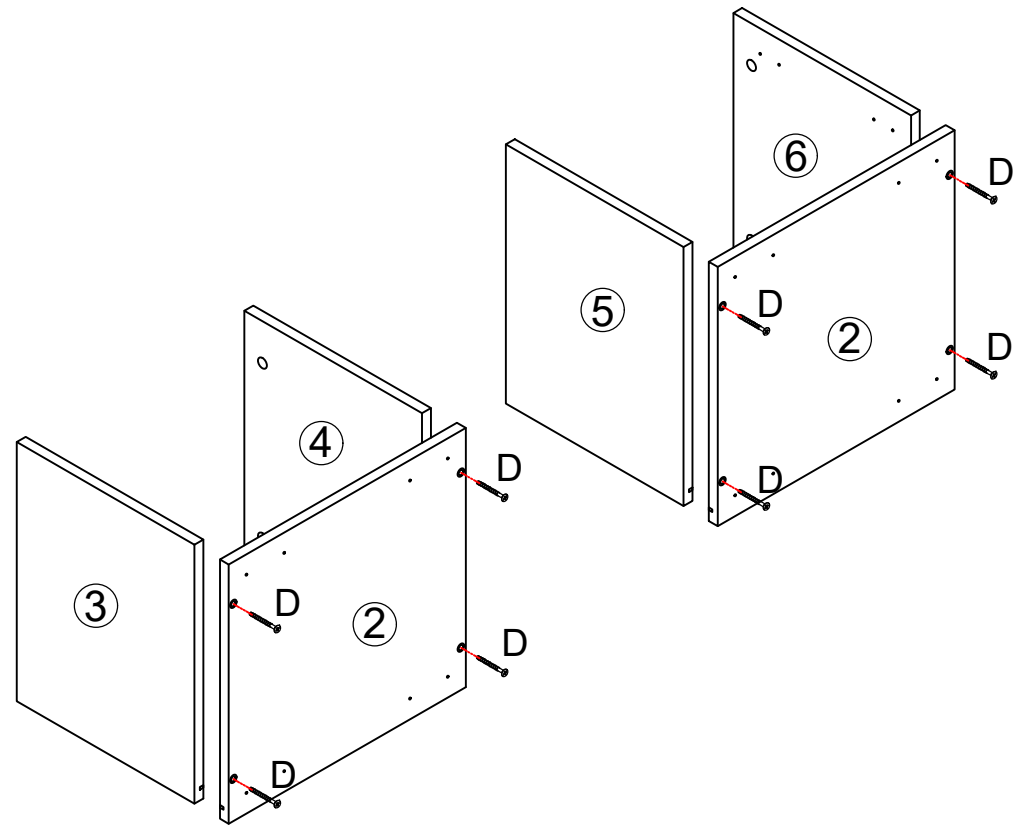
IV



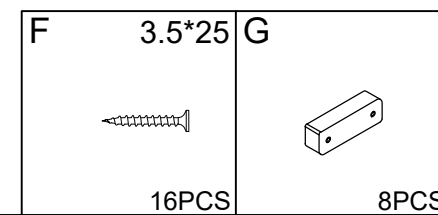
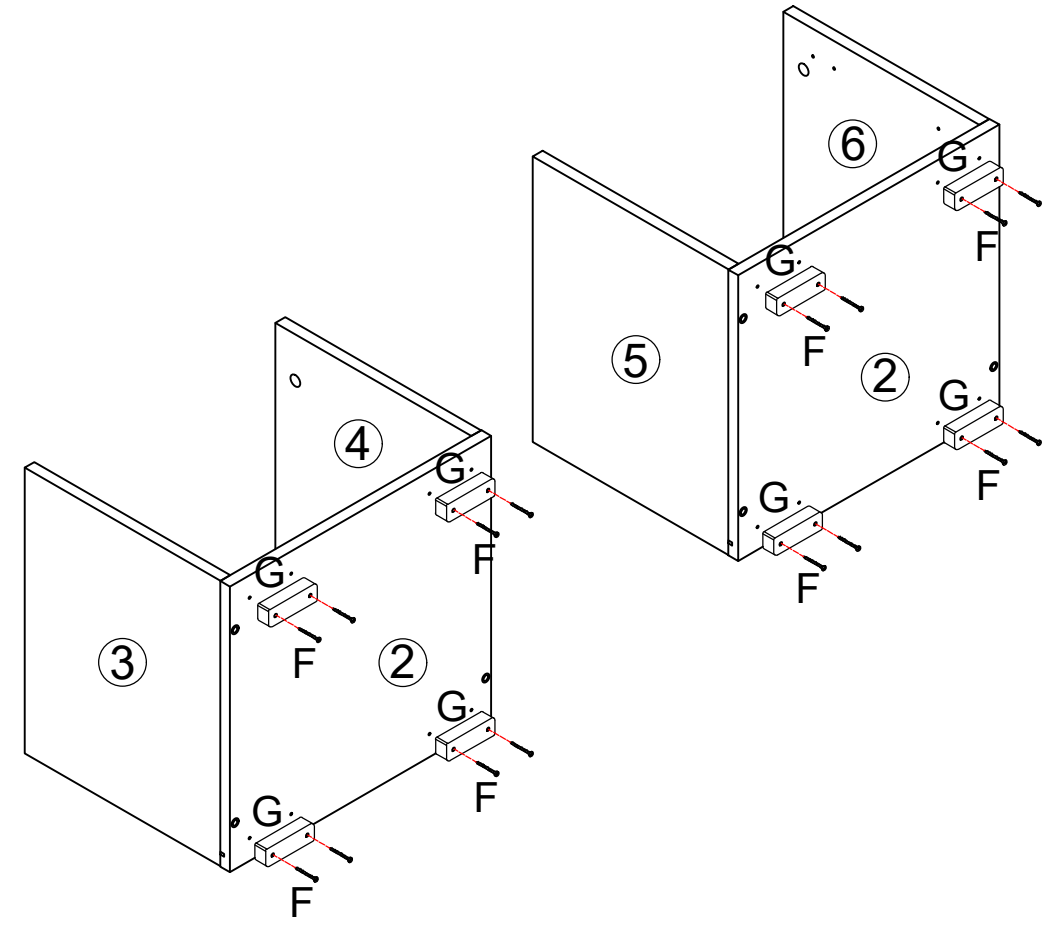


A	I	J	3*12
22PCS	2PCS	4PCS	

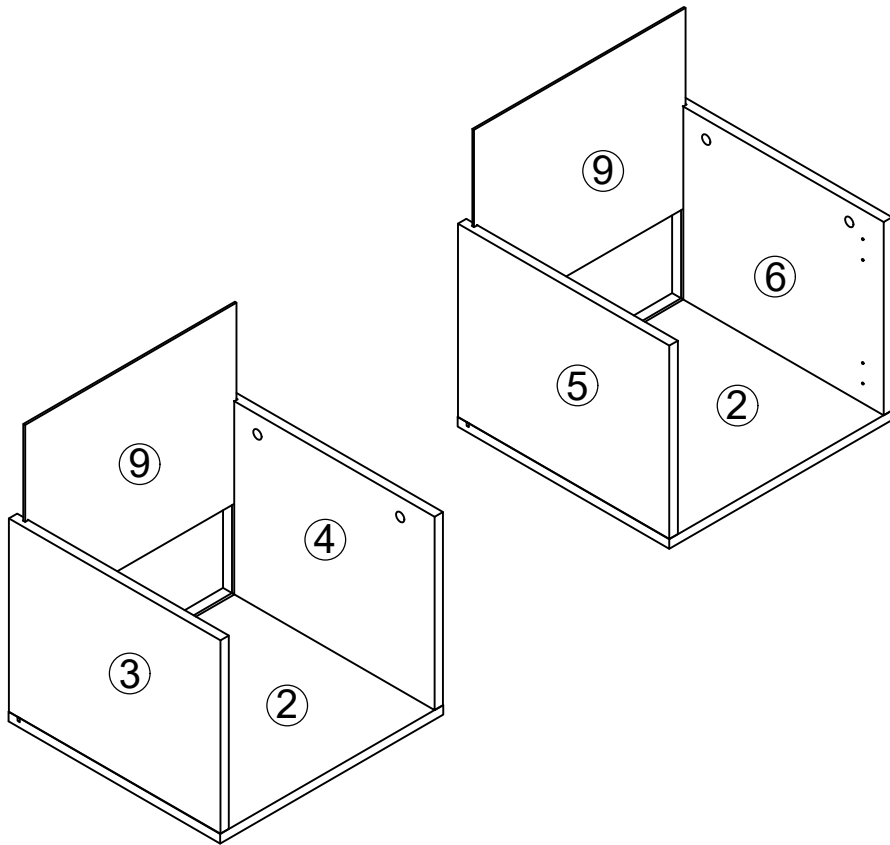
2



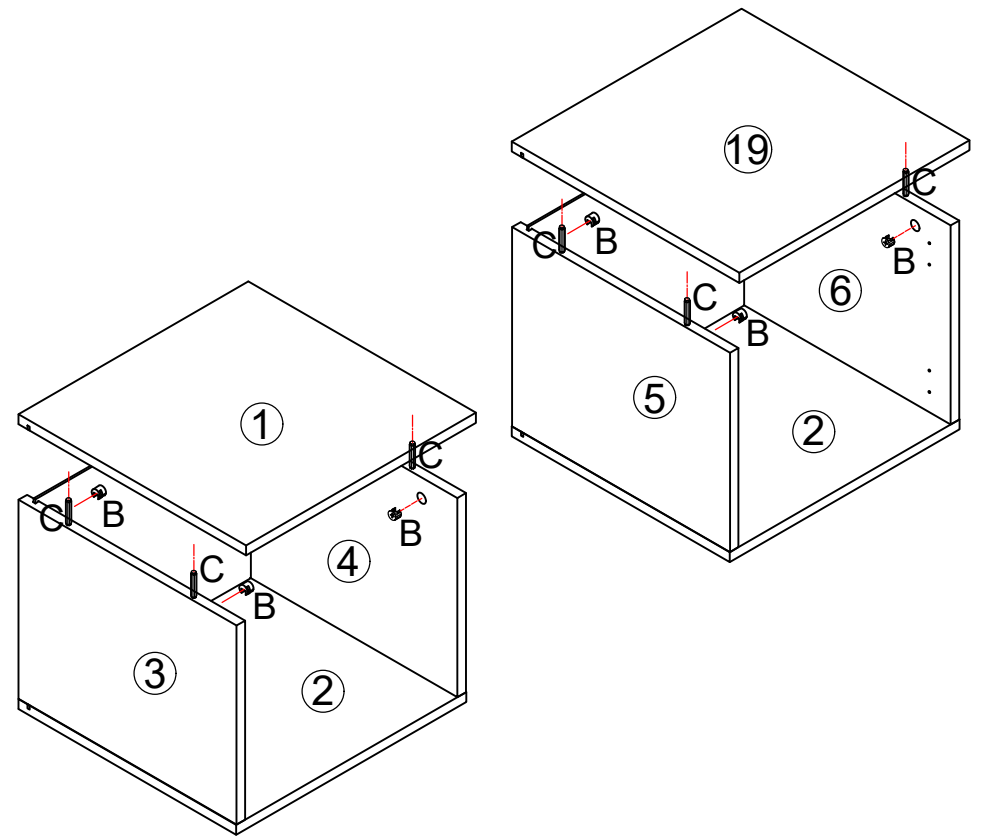
P.4


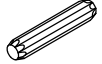


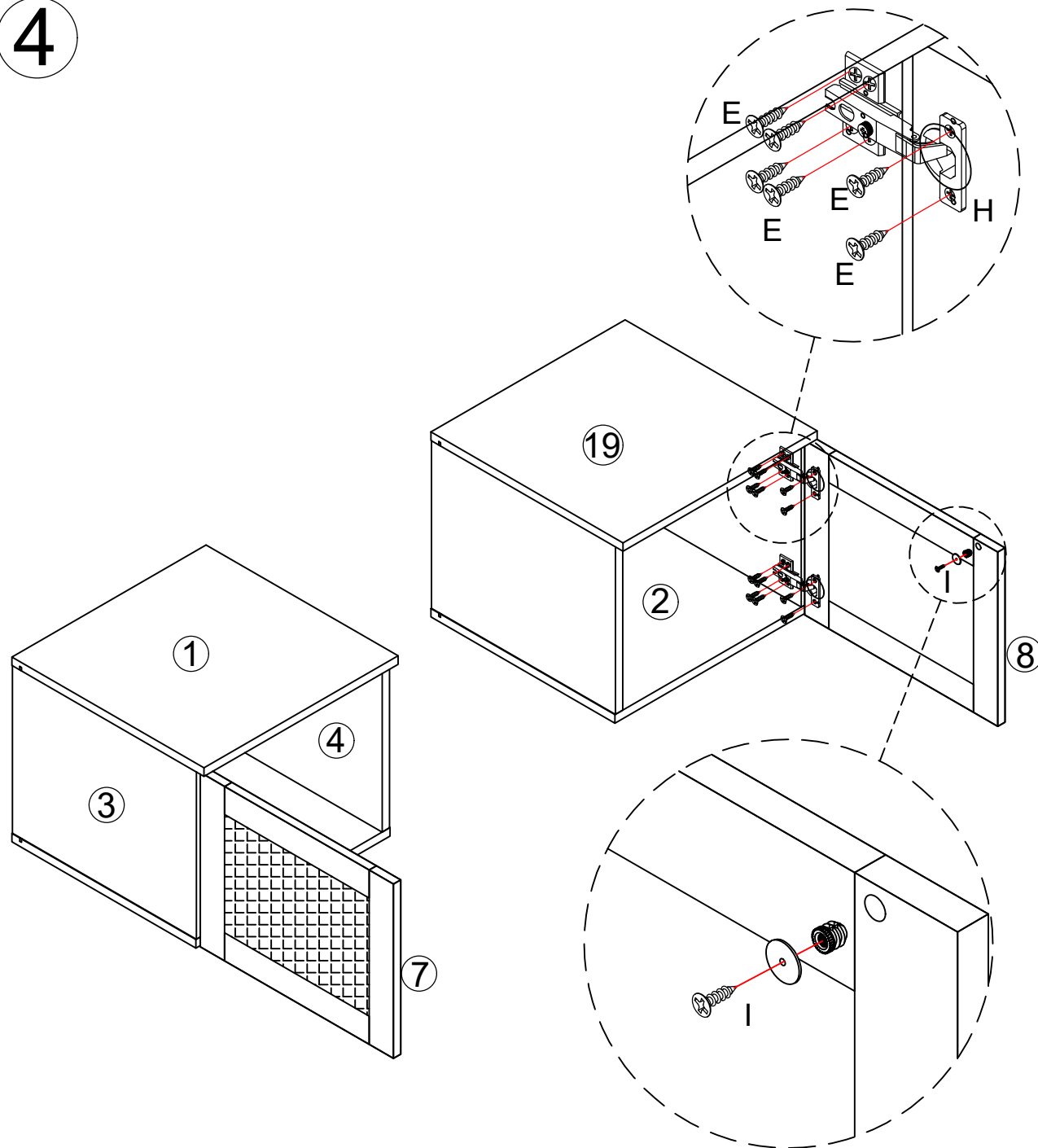
3



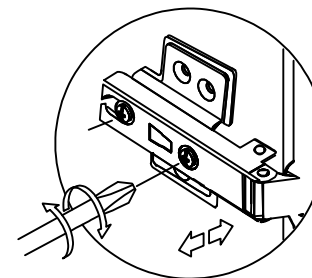
P.5



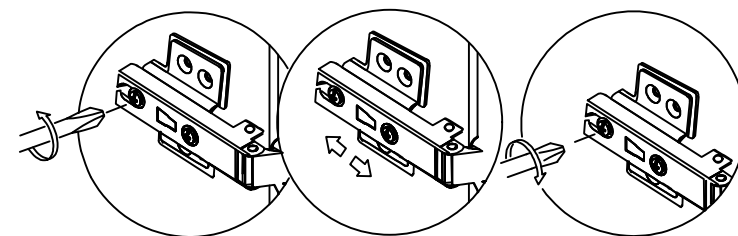
B	C
	
8PCS	8PCS



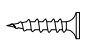
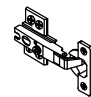
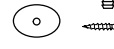
If the door can't close, please adjust the hinges.



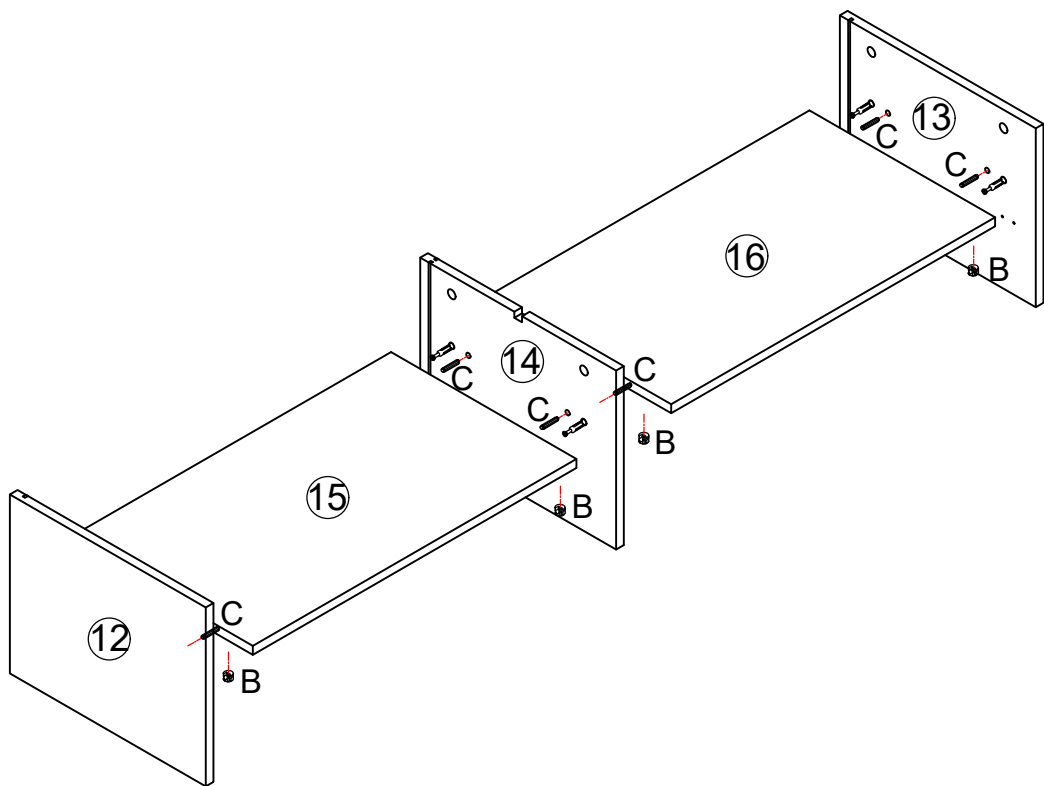
This is used to adjust the door panel in the up and down direction.


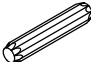


This is used to adjust the door panel in the front and back direction: Loosen the screw first, and then tighten screw after adjusting the door panel to the proper position.

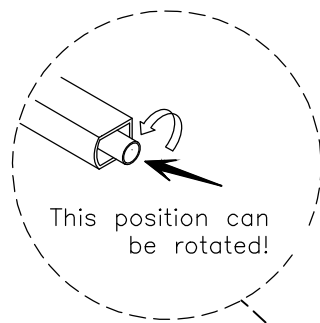
E	3.5*14	H	I
			
24PCS		4PCS	2PCS

5

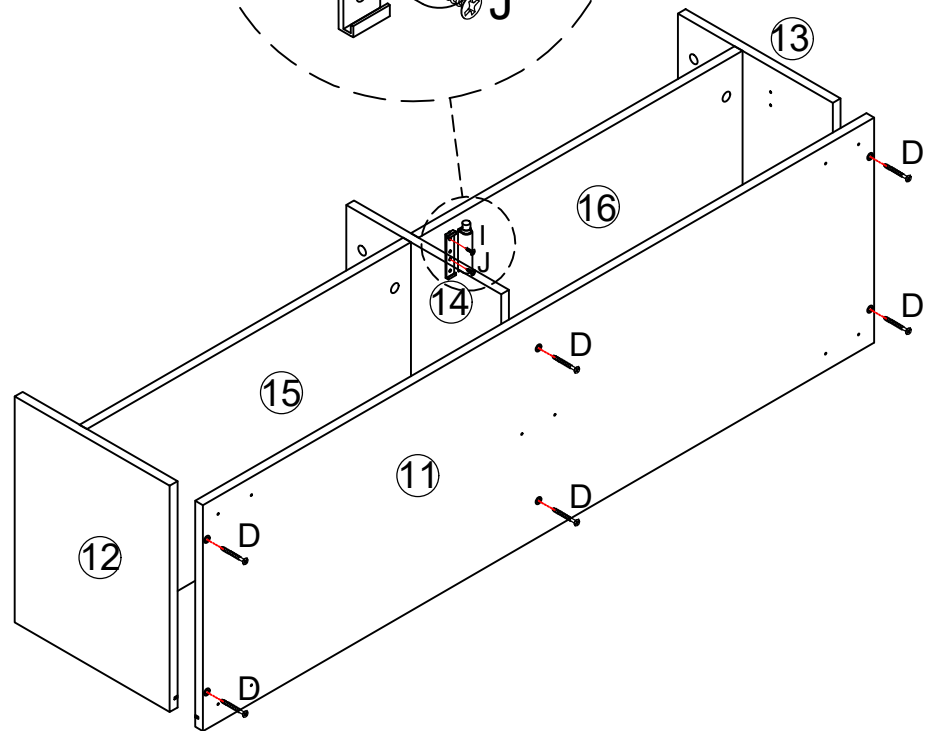
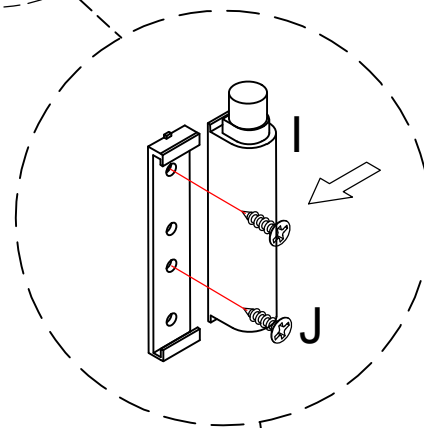


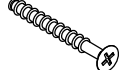
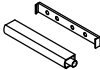
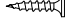
B	C	8*40
		
8PCS	8PCS	

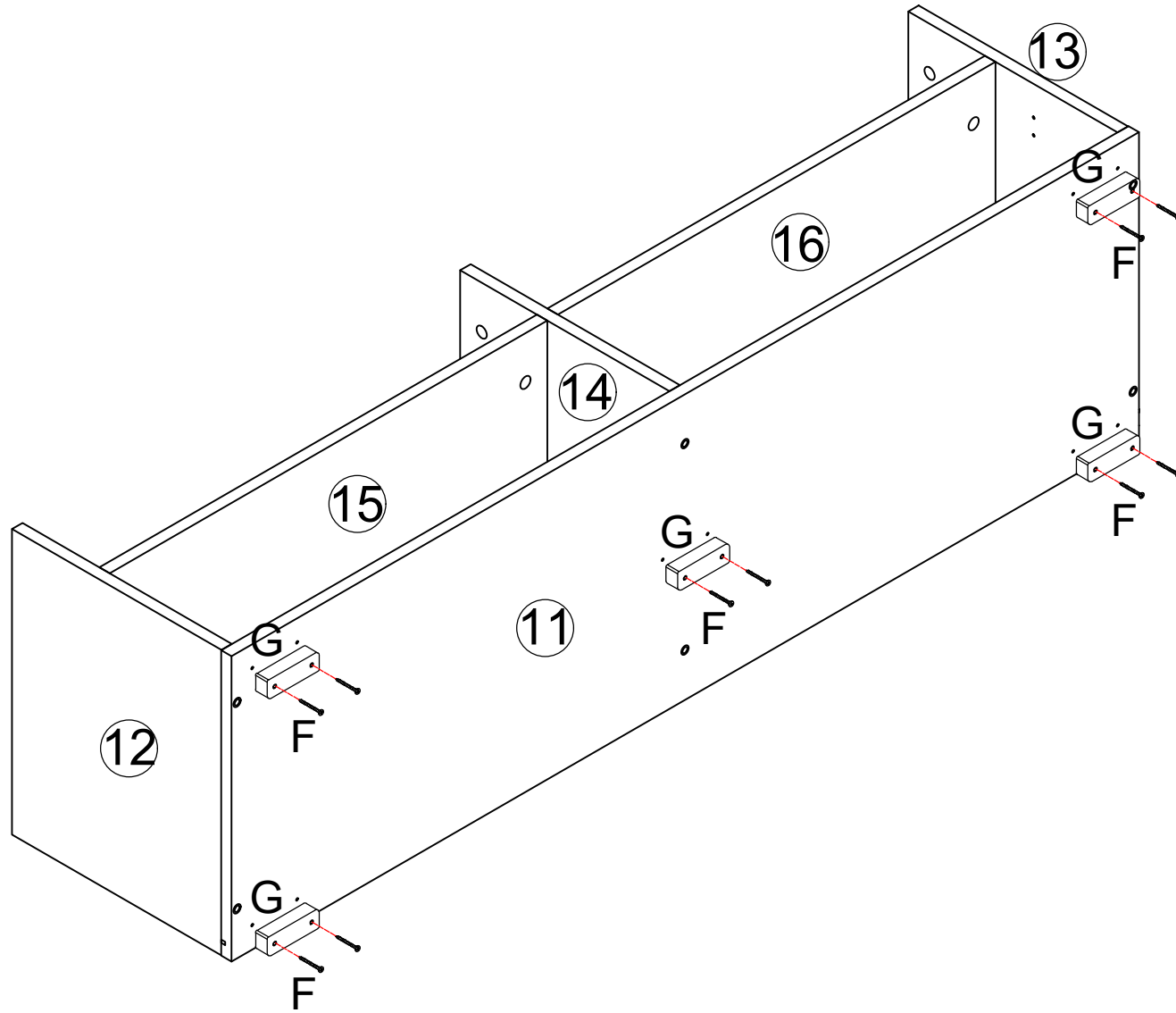
P.7

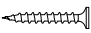
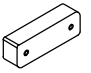


This position can be rotated!

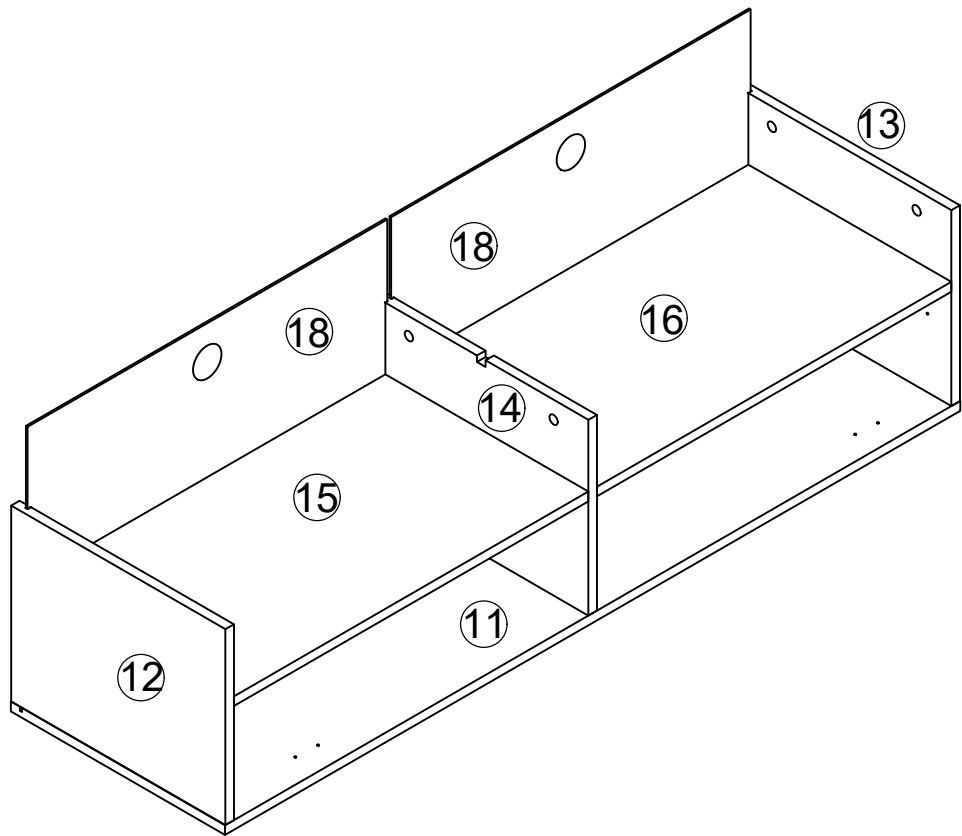


D	I	J	7*50	3*12
				
6PCS	1PCS	2PCS		

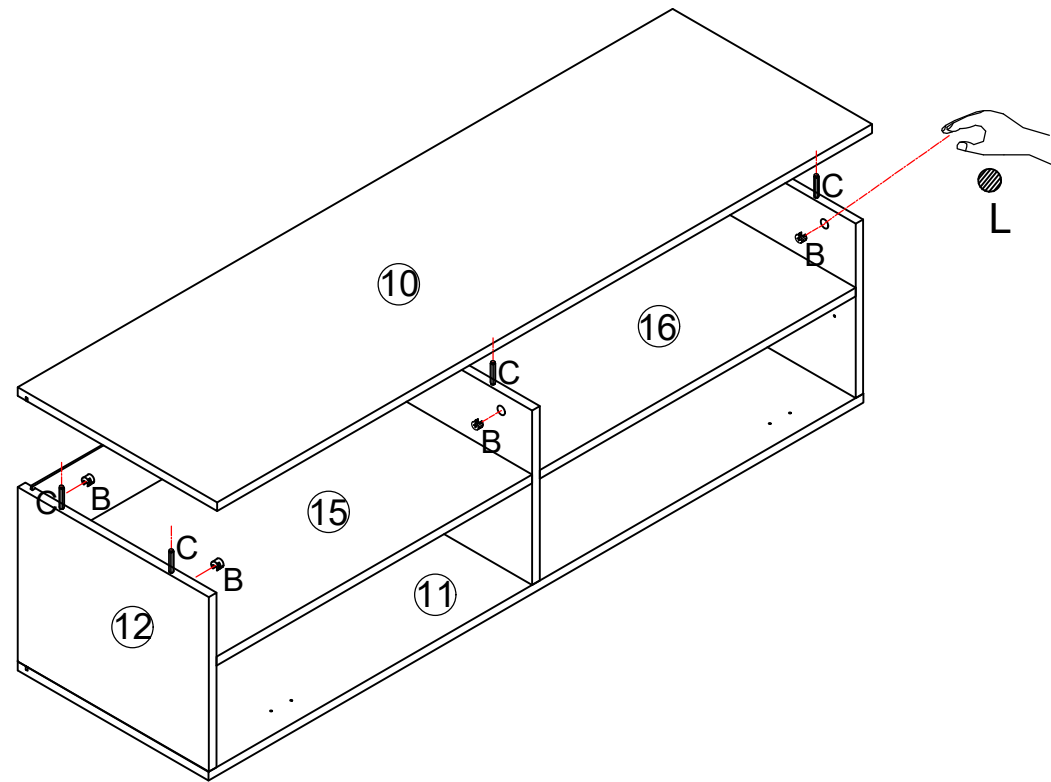



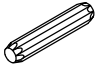

F	3.5*25	G
		
10PCS		5PCS

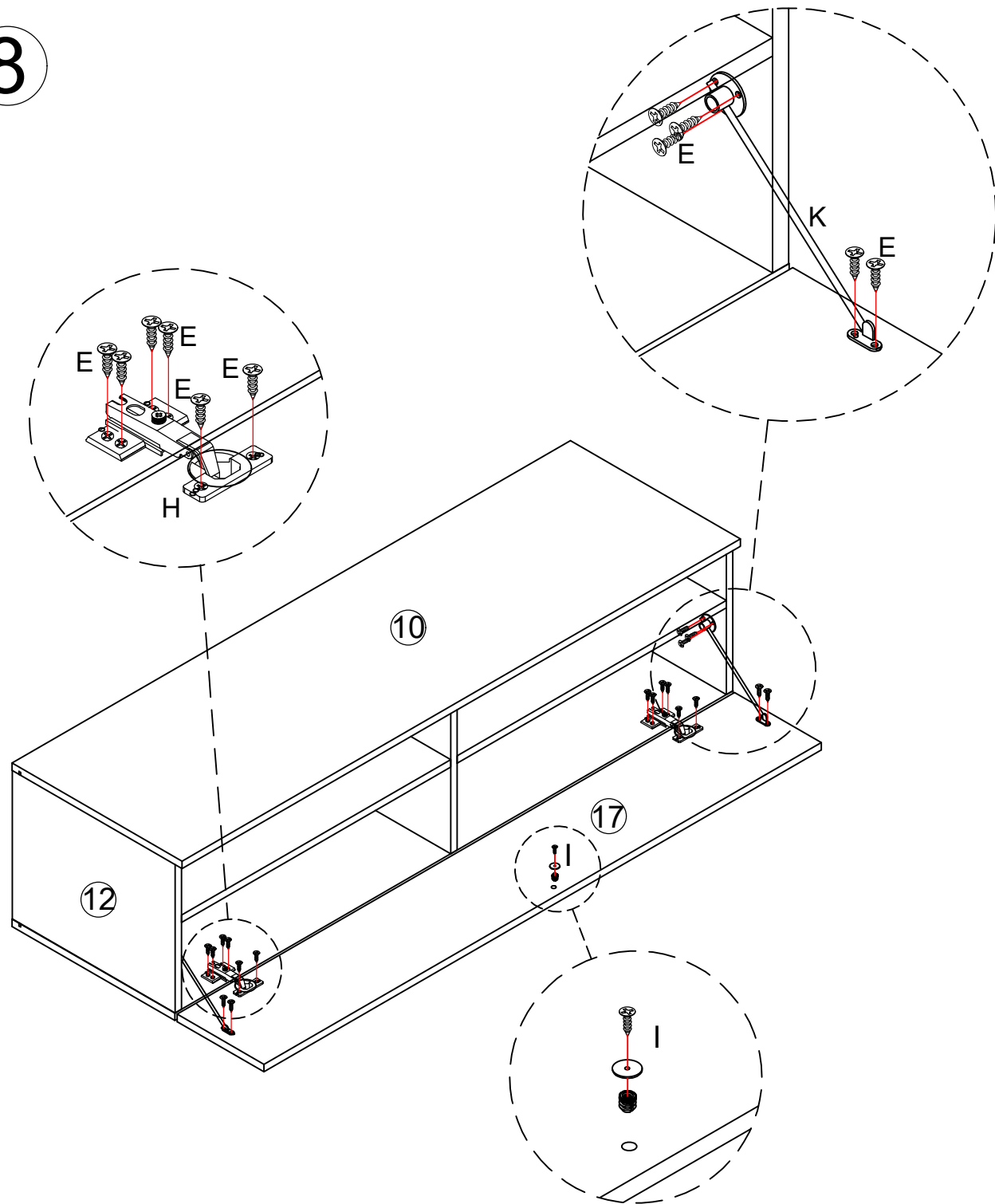
7



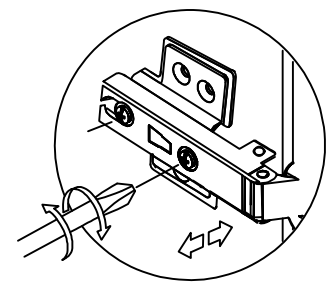
P.9



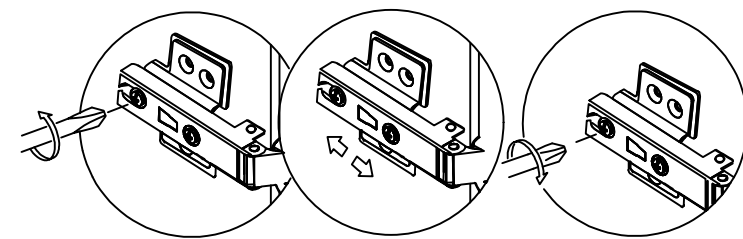
B	C	L
		
6PCS	6PCS	6PCS



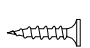
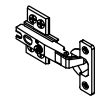

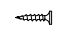

If the door can't close, please adjust the hinges.



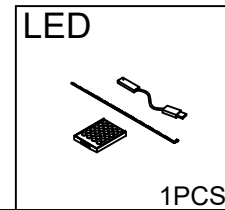
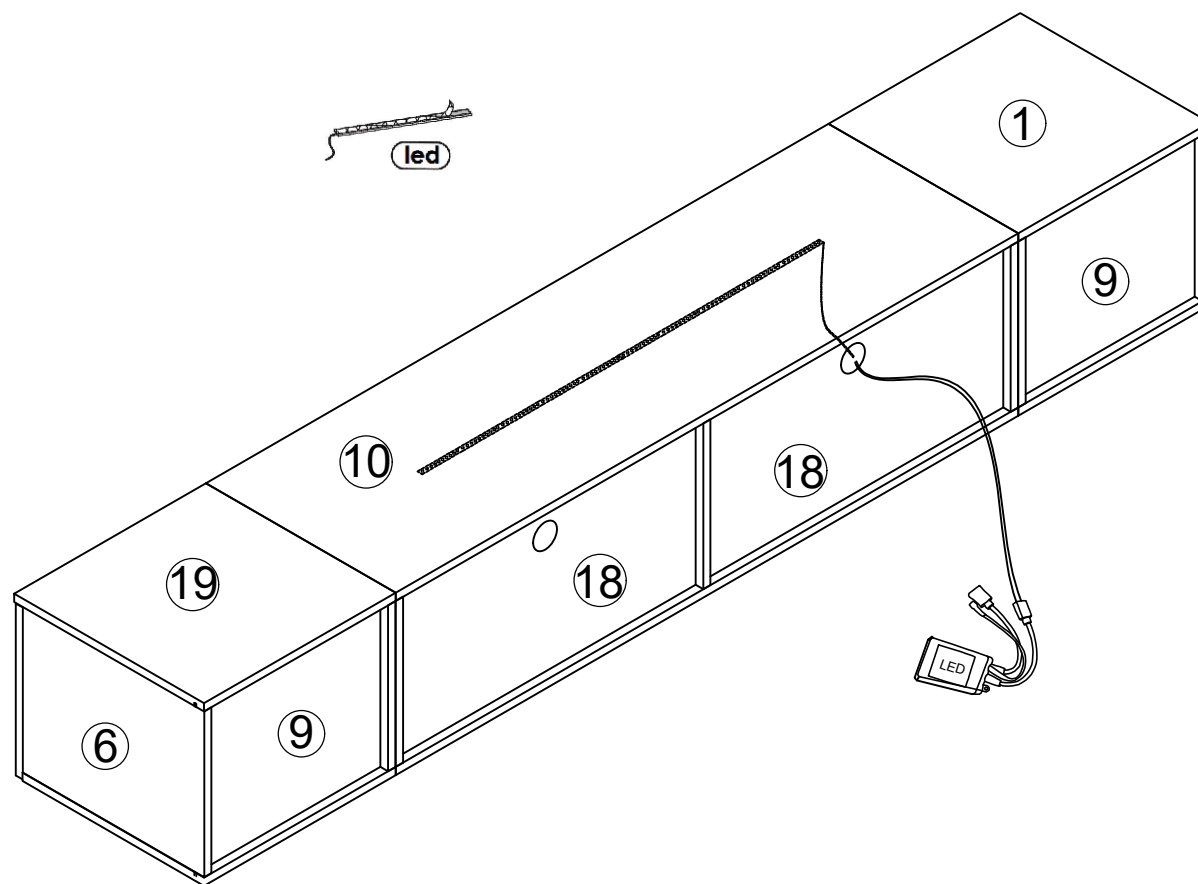
This is used to adjust the door panel in the up and down direction.



This is used to adjust the door panel in the front and back direction: Loosen the screw first, and then tighten screw after adjusting the door panel to the proper position.

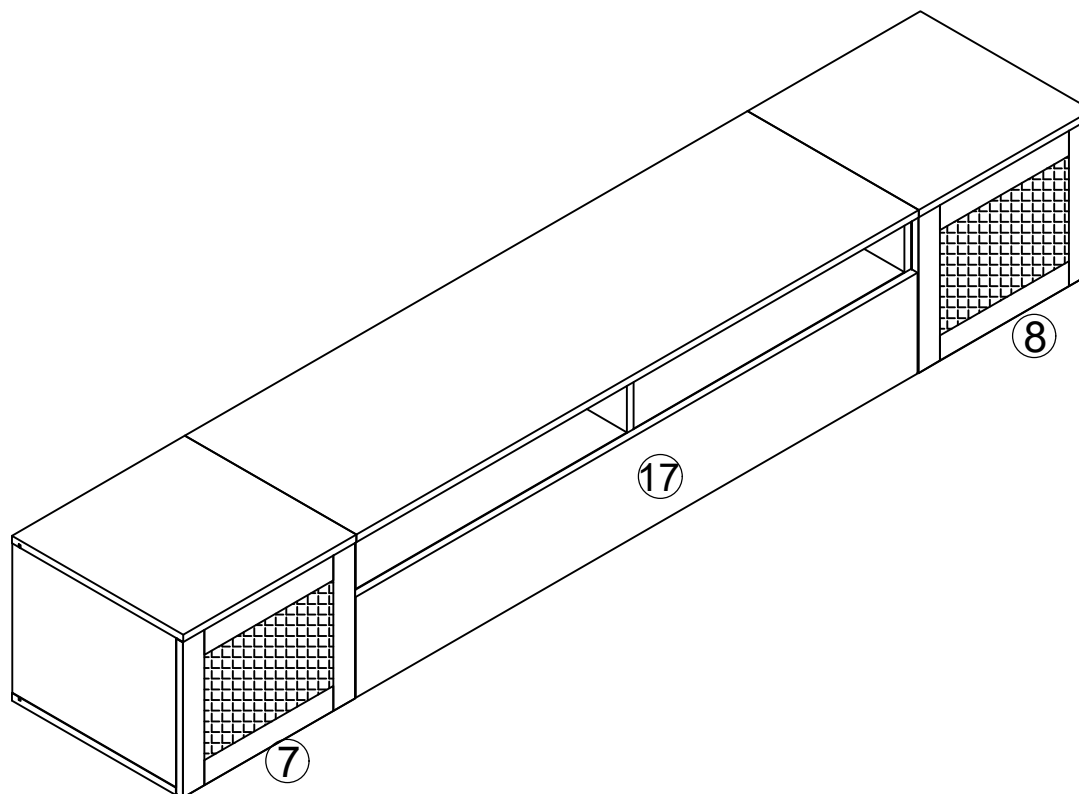
E	3.5*14 H	I	K
		 	
22PCS	2PCS	1PCS	2PCS

Please stick LED belt under part 10

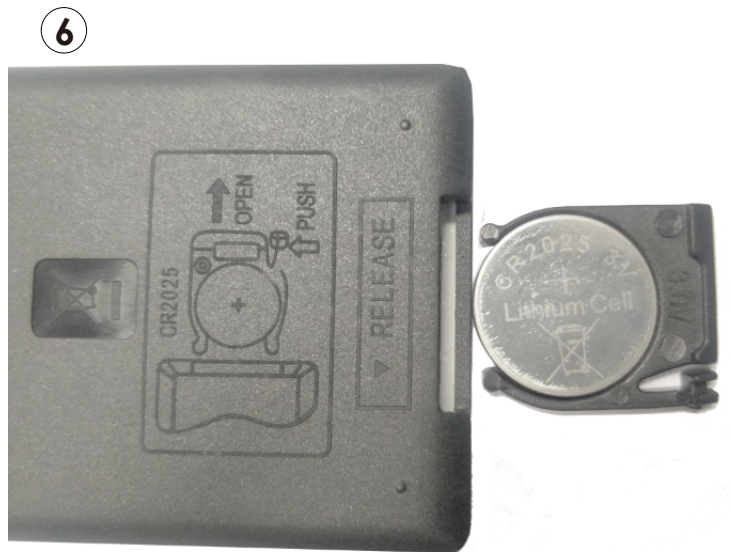
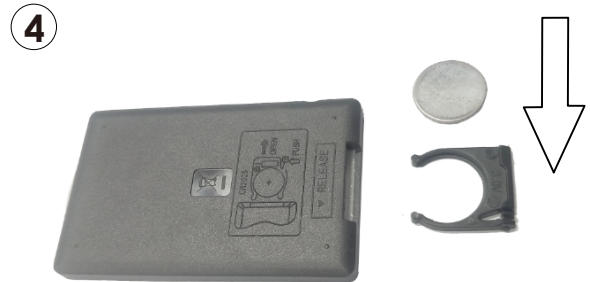


PLEASE NOTE: Part number **7**, Part number **8**, Part number **17** are covered with a tight plastic protective film.

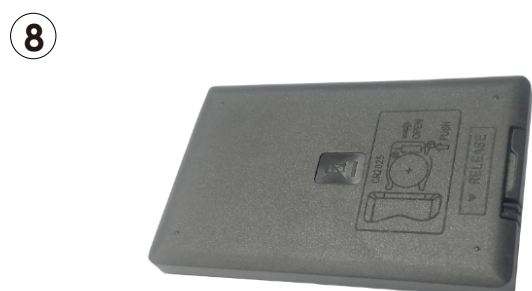
If there are scratches on the product after disassembly, please don't worry, it's not product damage. Please slowly tear off the protective plastic film on the surface along the edge. After peeling off, the product becomes smooth and clean.



NOTE: The battery in the remote control requires you to purchase and install it yourself.
Model: CR2025 3. V



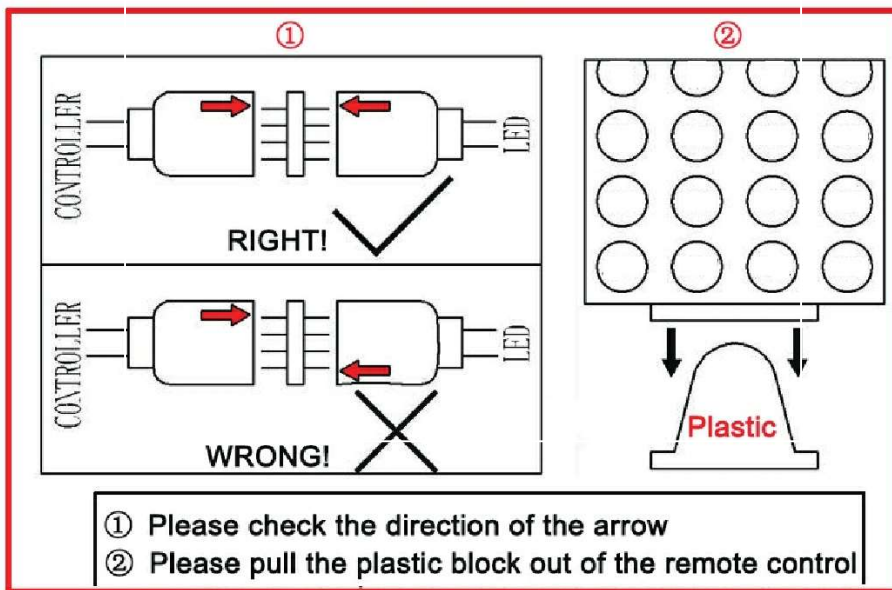
Modell : CR2025 3.V



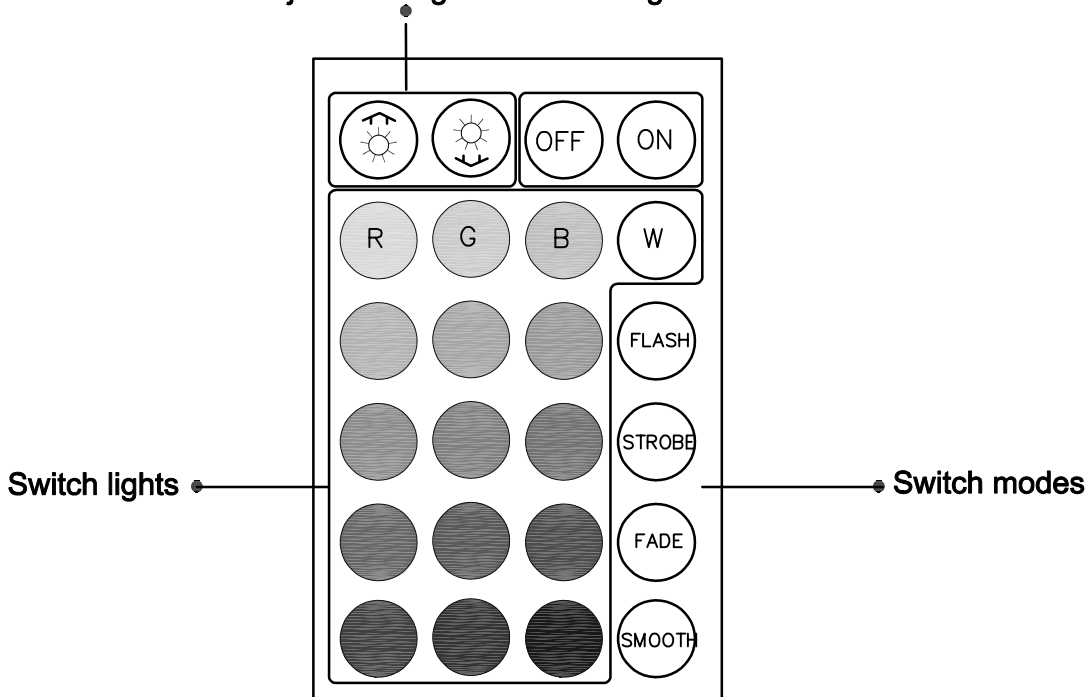
LED light

If you can't let the lights work successfully, please check the following:

1. Please check the direction of the connect, try it in the opposite direction, according to the following picture.
2. Please check the remote control, it need you to tear down the plastic septum before use it.
3. Don't let the remote control too far from the receiver, make sure there is no obstruction between them.
4. When using the remote control, please make sure to aim at the receiver, not the light strip



Remark: These two buttons are invalid because the product cannot adjust the brightness of the light.



Please note that for transportation safety, the remote control does not contain batteries; the attery model is: CR2025