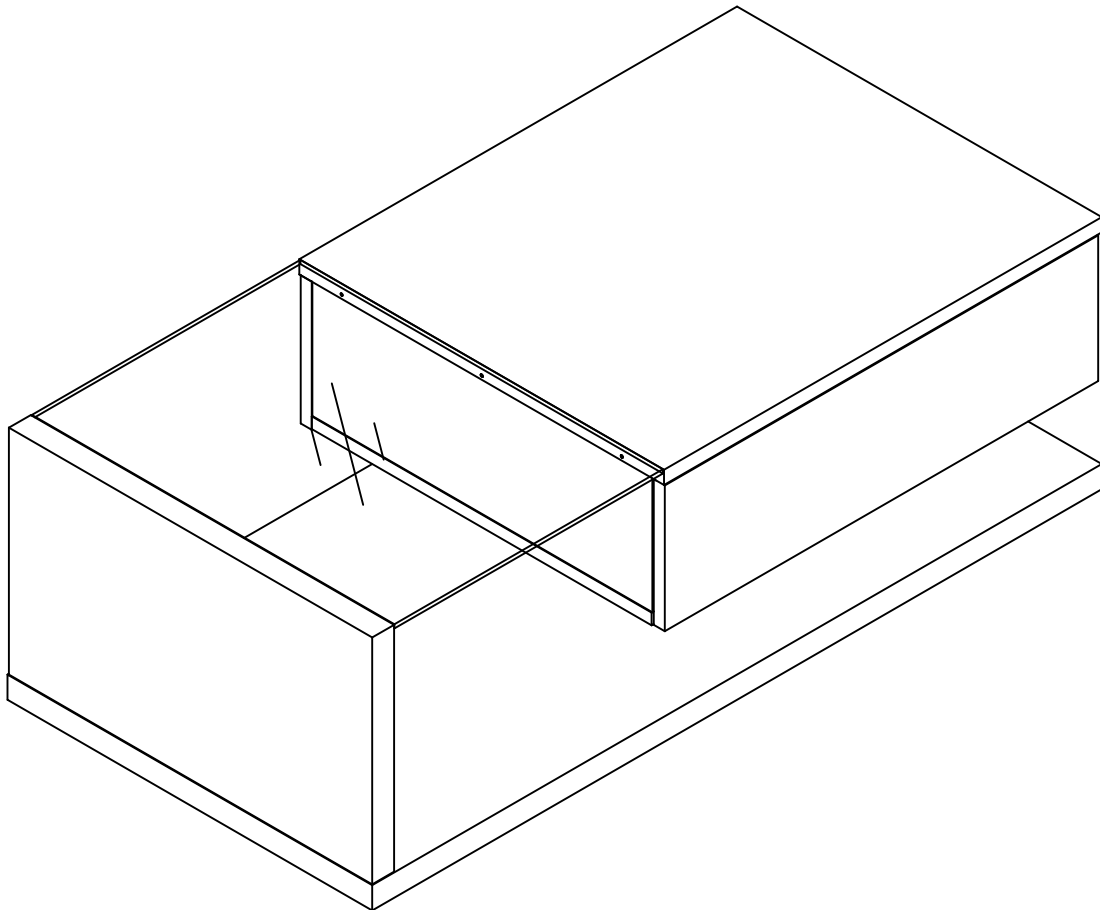


Tea Table

Assembly Instructions - Please keep for future reference



Dimensions

Width-39.37inch

Depth-19.68inch

Height-13.11inch

Important – Please read these instructions fully before starting assembly



Safety and Care Advice

Important – Please read these instructions fully before starting assembly

- Check you have all the components and tools listed on the following pages.
- Remove all fittings from the plastic bags and separate them into their groups.
- Keep children and animals away from the work area, small parts could choke if swallowed.
- Make sure you have enough space to layout the parts before starting.

- During assembly do not stand or put weight on the product, this could cause damage.
- Assemble the item as close to its final position (in the same room) as possible.
- Assemble on a soft level surface to avoid damaging the unit or your floor.
- Parts of the assembly will be easier with 2 people.



- To reduce the likelihood of damaging your product please ensure that your power drill is set on a low torque setting.

Care and maintenance

- Only clean using a damp cloth and mild detergent, do not use bleach or abrasive cleaners.
- From time to time check that there are no loose screws on this unit.
- This product should not be discarded with household waste. Take to your local authority waste disposal centre.

Handy Hints

- Assemble all parts and bolts loosely during assembly, only once the product is complete should you fully tighten the bolts
- Regularly check and ensure That all bolts and fittings are tightend properly.

WARNING
In order to help prevent overturning – please follow these instructions


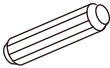
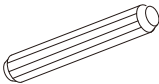

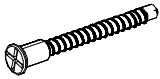
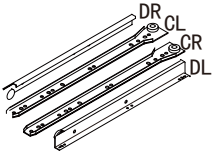



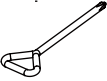
To help prevent product toppling over please follow the below steps:-

- Use the anti tip stap or wall fixing method provided (if applicable)
- Do not allow children to climb or hang on the furniture
- Do not open more than one drawer at a time
- Do not place heavy items in the top drawers
- Do not place heavy items on top of the furniture, unless the furniture has been designed for this purpose

Components-Fittings

Please check you have all the panels listed below

Note: The quantities below are the correct amount to complete the assembly. In some cases more fittings may be supplied than are required.

<p>(A)</p>  <p>Cam Bolt x 24+2 Cam Bolt x 24+2</p>	<p>(B)</p>  <p>8*30mm Dowel x 22+2</p>	<p>(C)</p>  <p>8*60mm Dowel x 2</p>	<p>(D)</p>  <p>5*40mm Screw x 20+2</p>
<p>(E)</p>  <p>5*60mm Screw x 4+1</p>	<p>(F)</p>  <p>400mm Drawer slide x 1</p>	<p>(G)</p>  <p>Glass holder x 6+1</p>	<p>(H)</p>  <p>3.5*14mm Screw x 8+1</p>
<p>(J)</p>  <p>5mm Foundation x 4</p>	<p>(K)</p>  <p>Screwdriver x 1</p>		

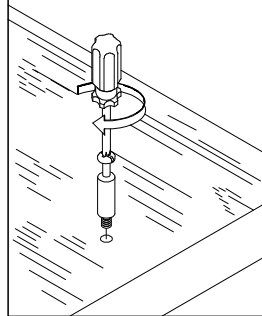
Using Camlocks

Step 1

Connect the male camlock as directed in the assembly instructions using a screwdriver.

1

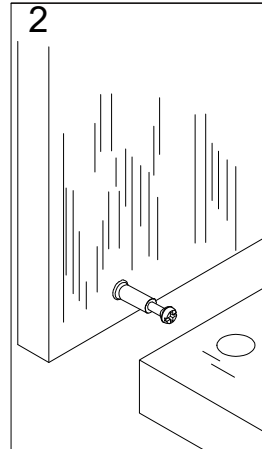
DO NOT OVER TIGHTEN.
NE PAS SERRER EXCESSIVEMENT.



Step 2

Push the male camlock into the entry hole.

2

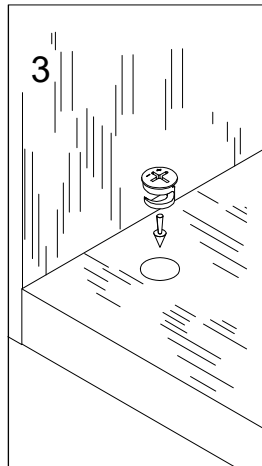


Step 3

Insert the female camlock as shown in the instruction.

Note: ensure that the arrow on the top of the camlock points towards the entry hole for the male camlock.

3



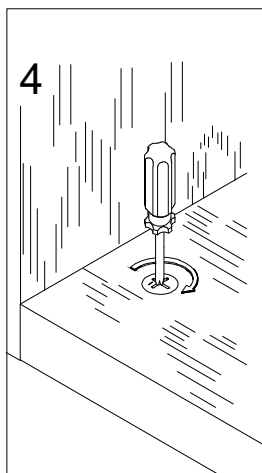
Step 4

Turn the female camlock clockwise with a screwdriver.

You should feel a click when the camlock is locked in place.

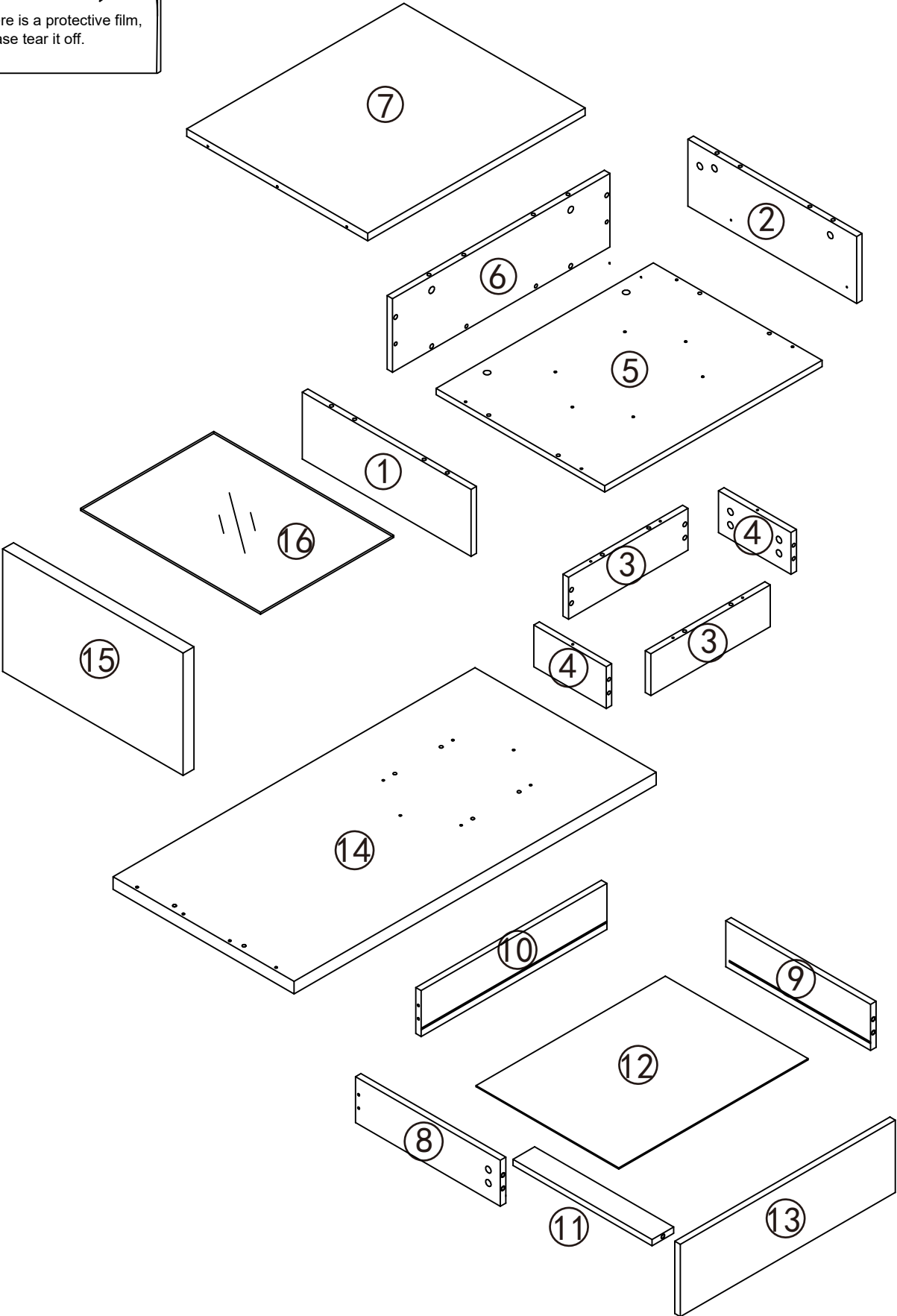
The joint is now secure.

4



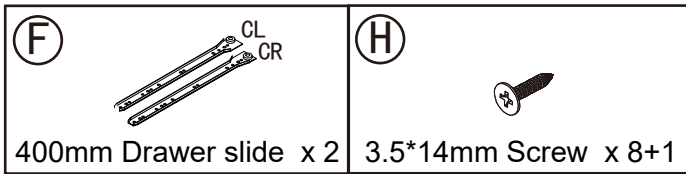
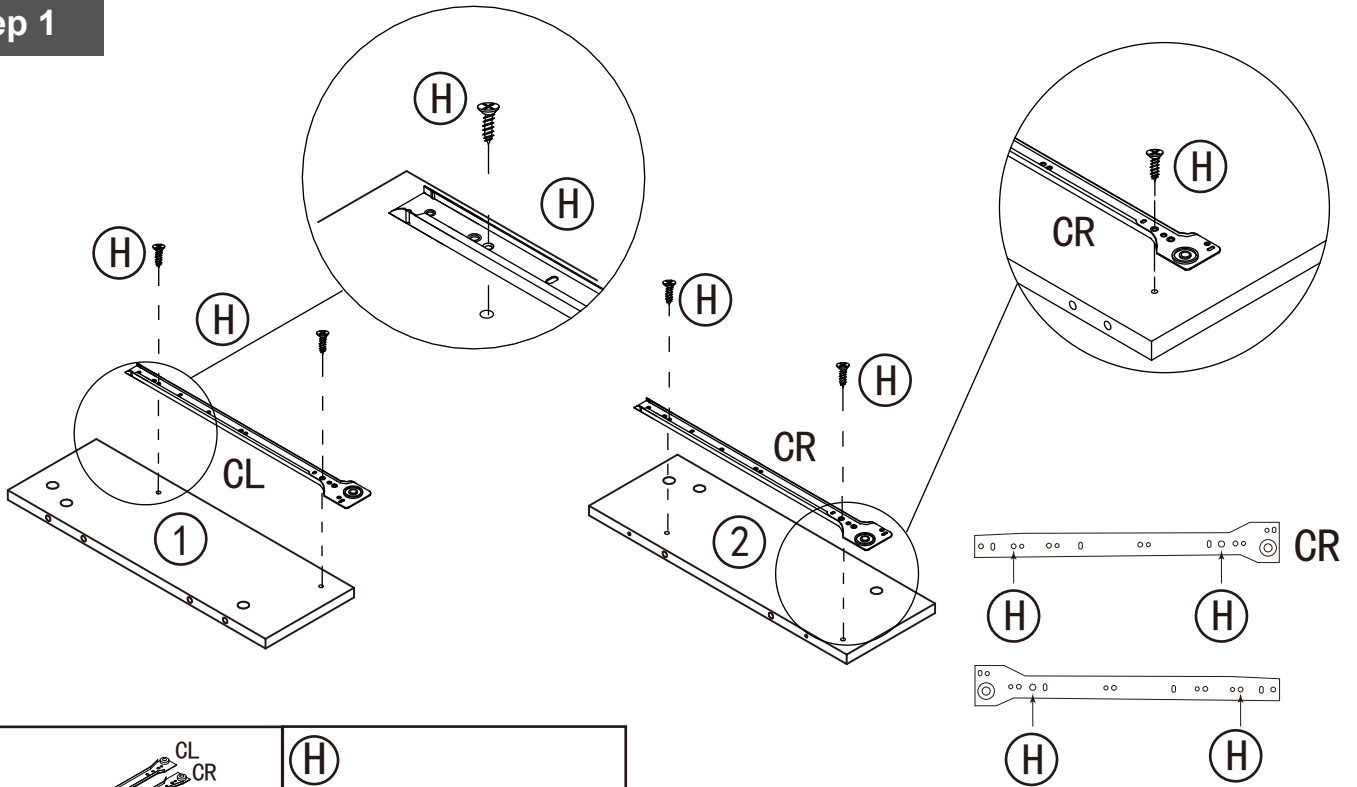
Assembly Instructions


There is a protective film,
please tear it off.



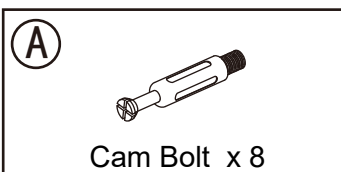
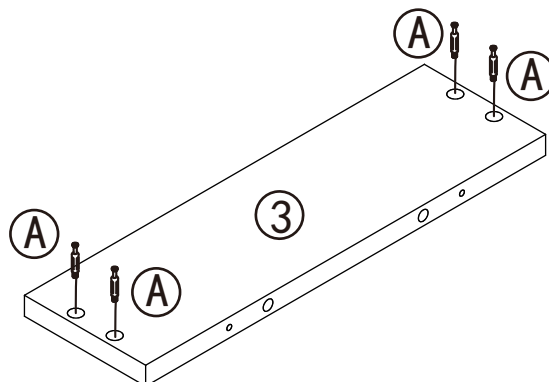
Assembly Instructions

Step 1



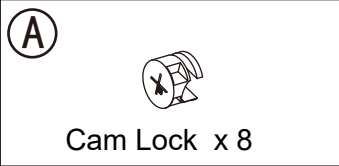
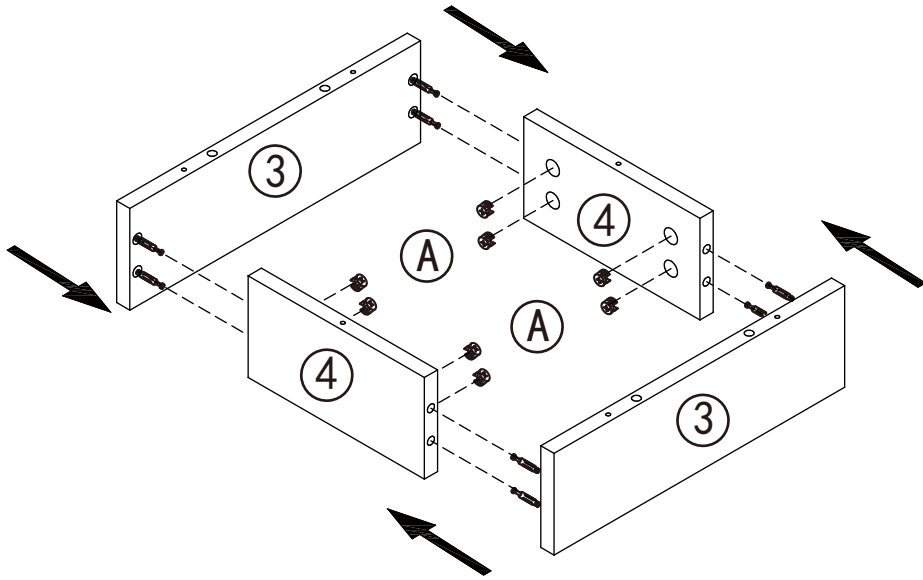
Step 2

X2

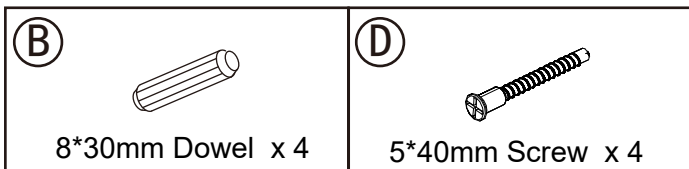
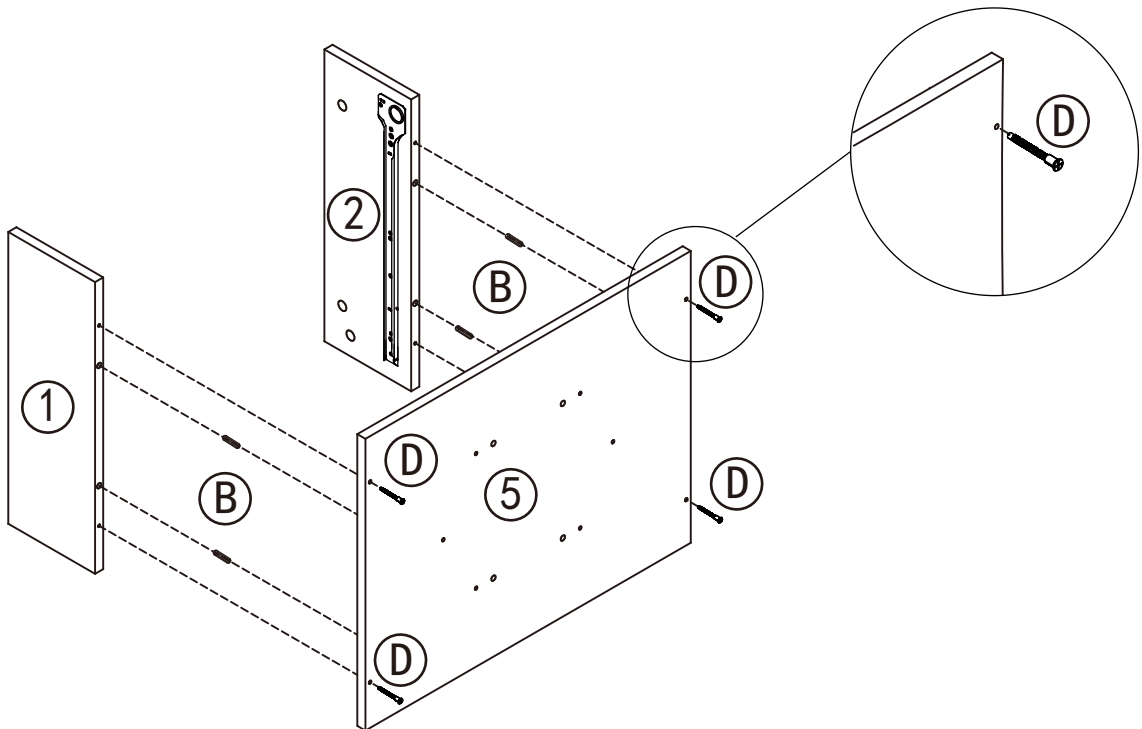


Assembly Instructions

Step 3

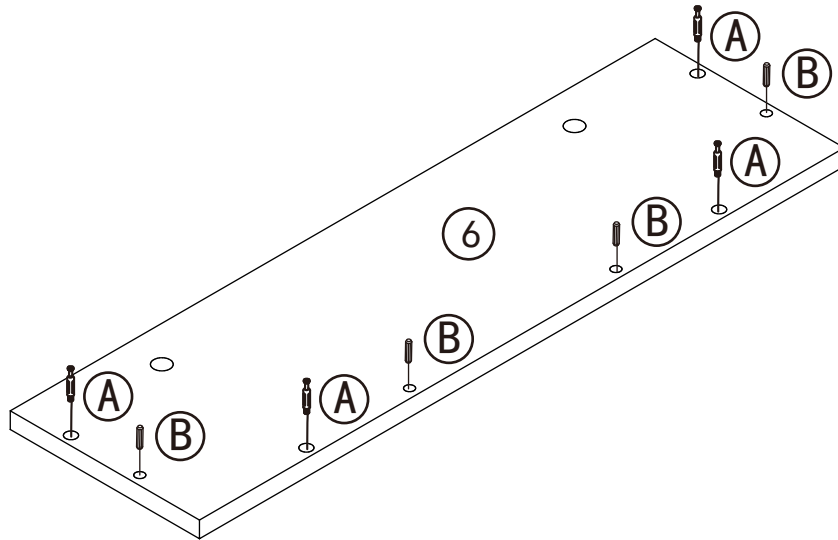


Step 4

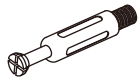


Assembly Instructions

Step 5

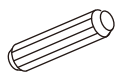


(A)



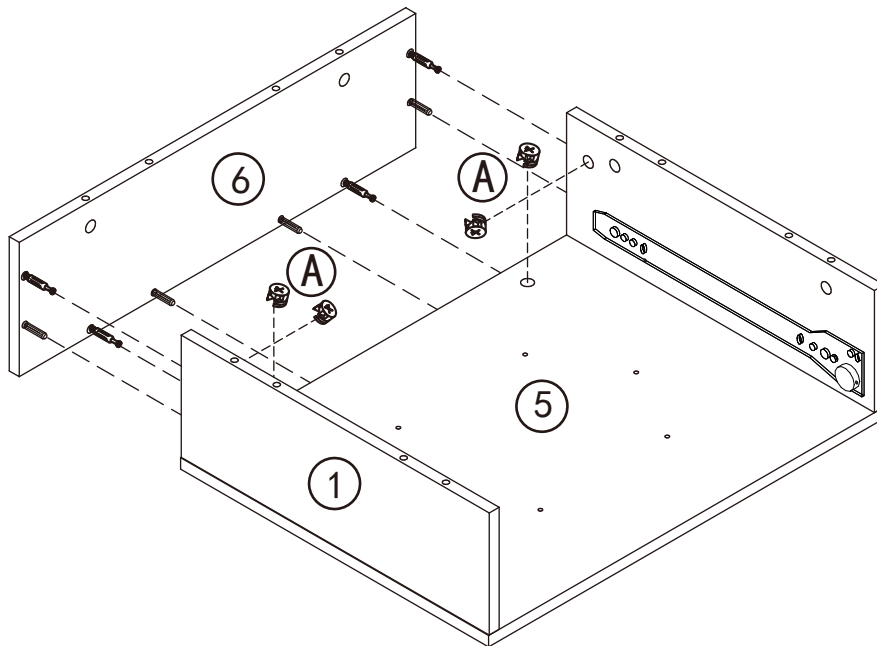
Cam Bolt x 4

(B)



8*30mm Dowel x 4

Step 6



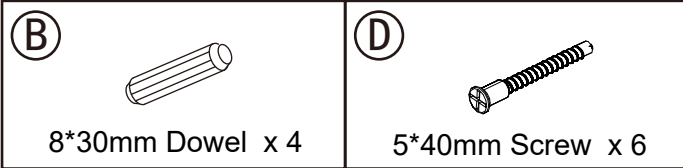
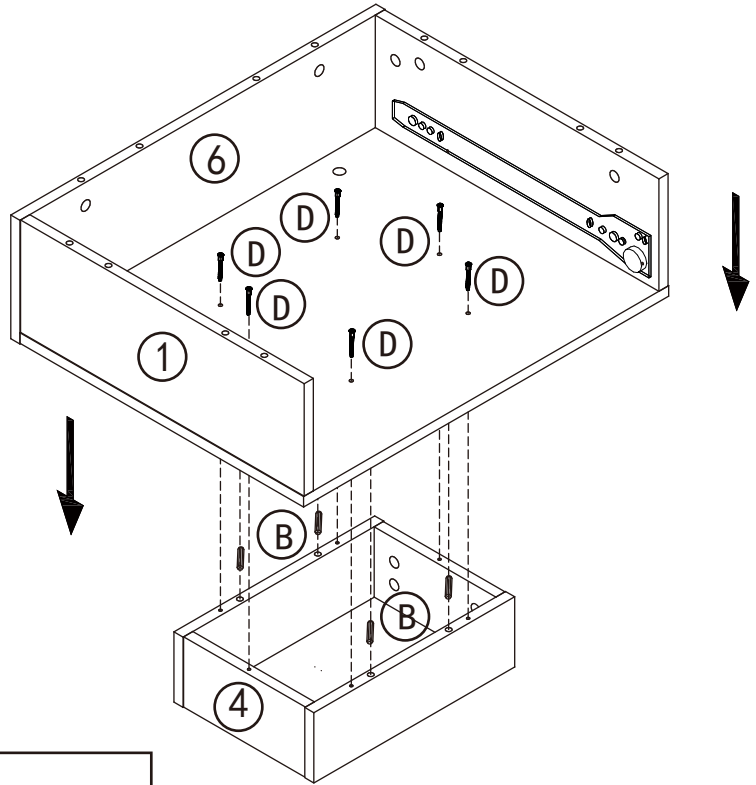
(A)



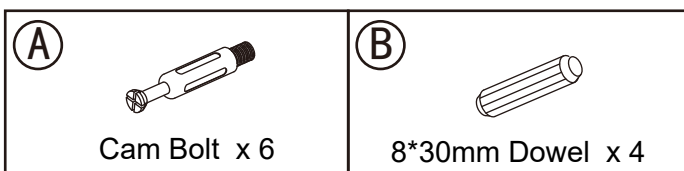
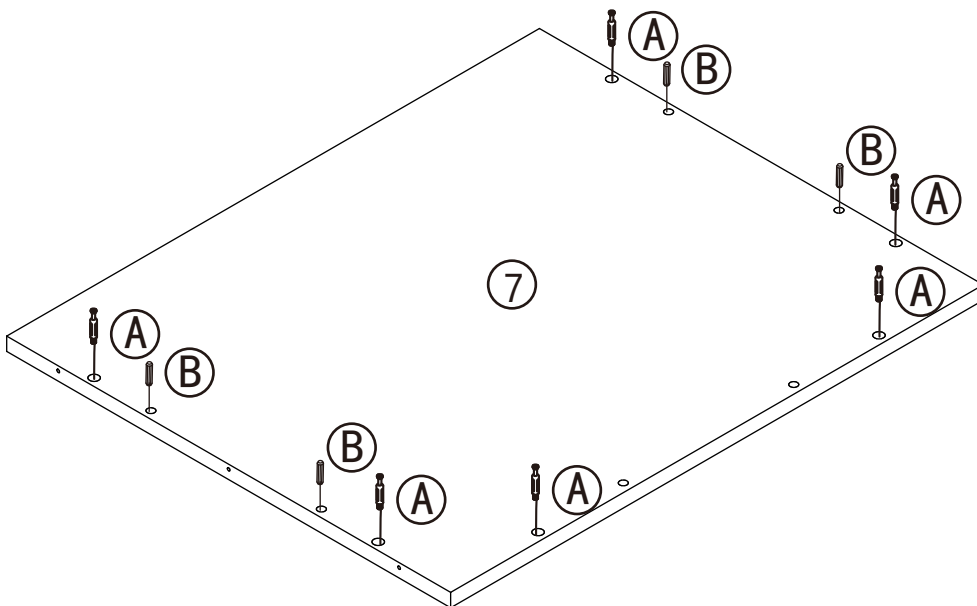
Cam Lock x 4

Assembly Instructions

Step 7

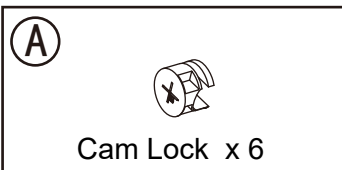
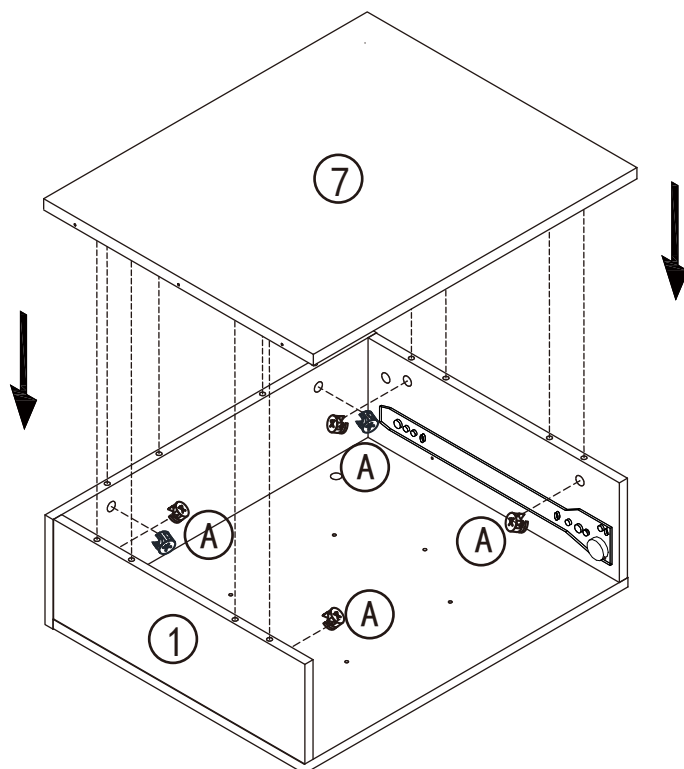


Step 8

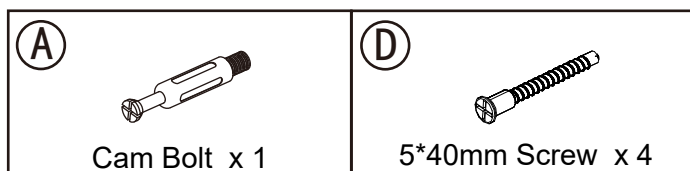
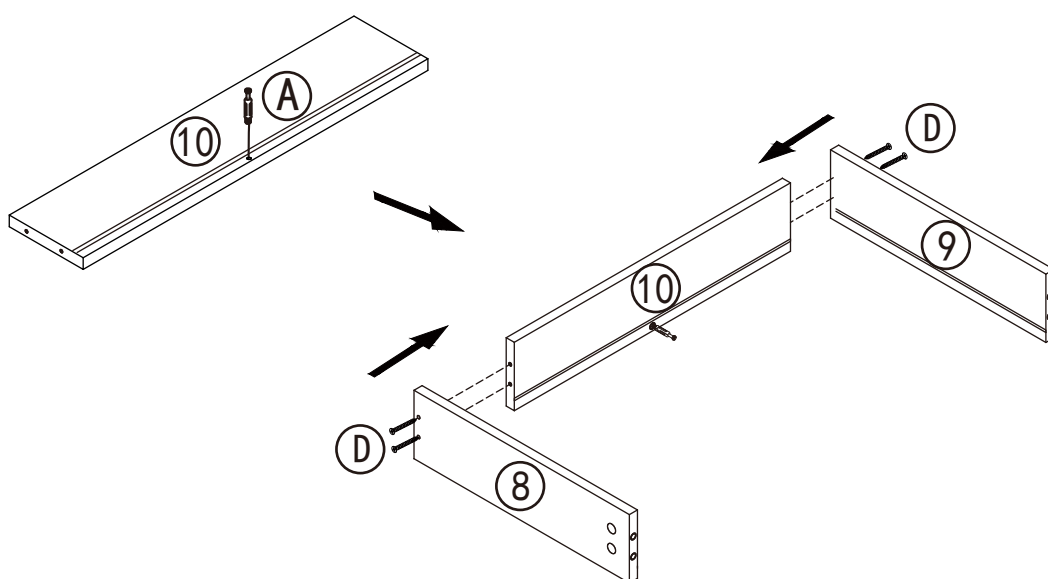


Assembly Instructions

Step 9

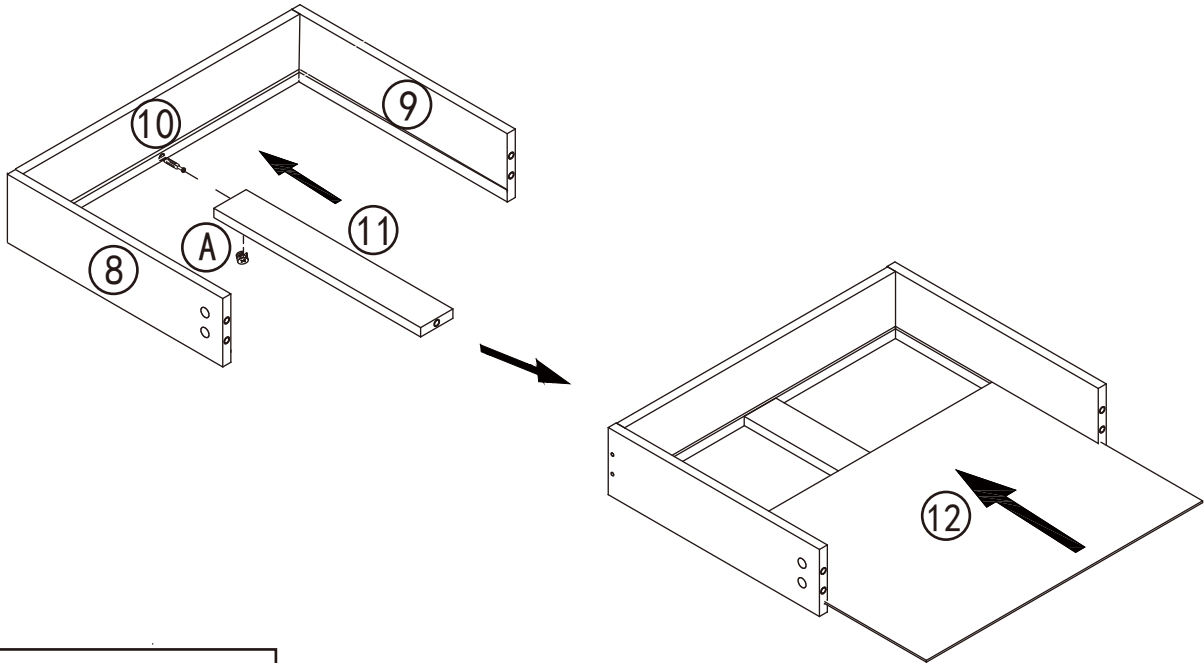


Step 10



Assembly Instructions

Step 11

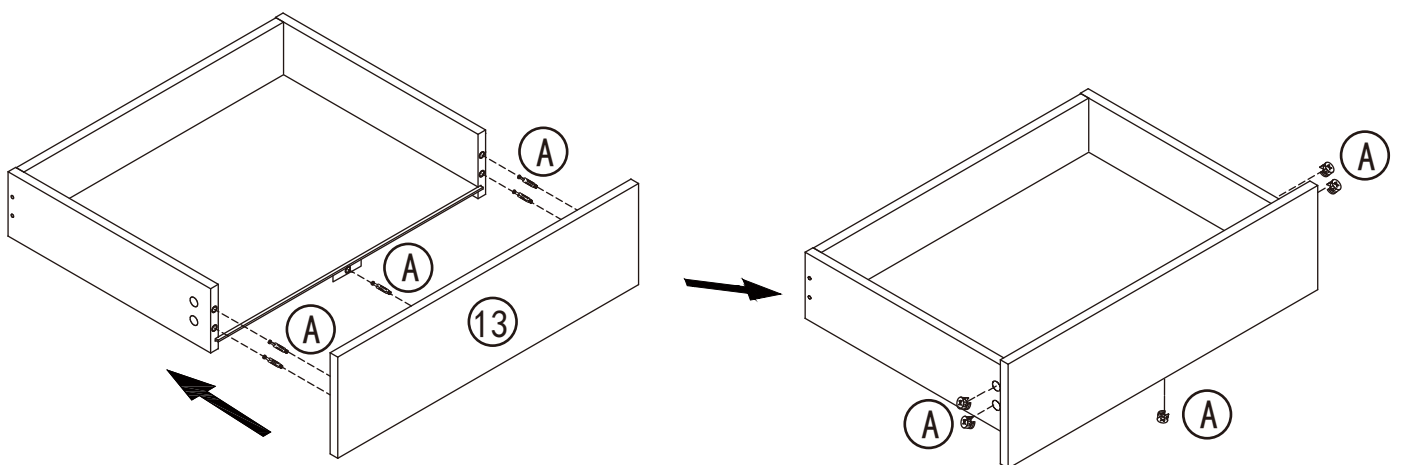


(A)

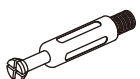


Cam Lock x 1

Step 12



(A)



Cam Bolt x 5

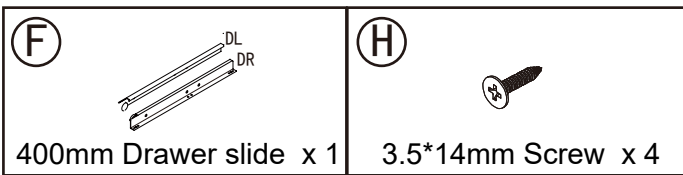
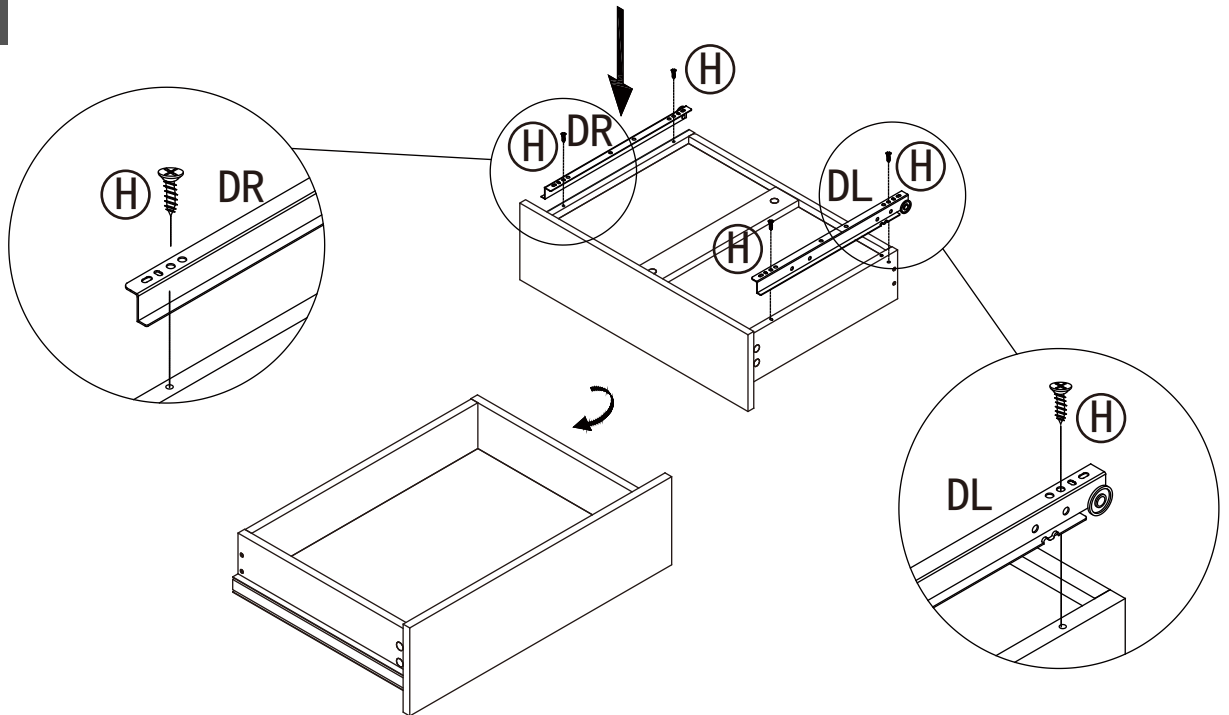
(A)



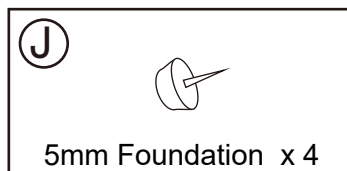
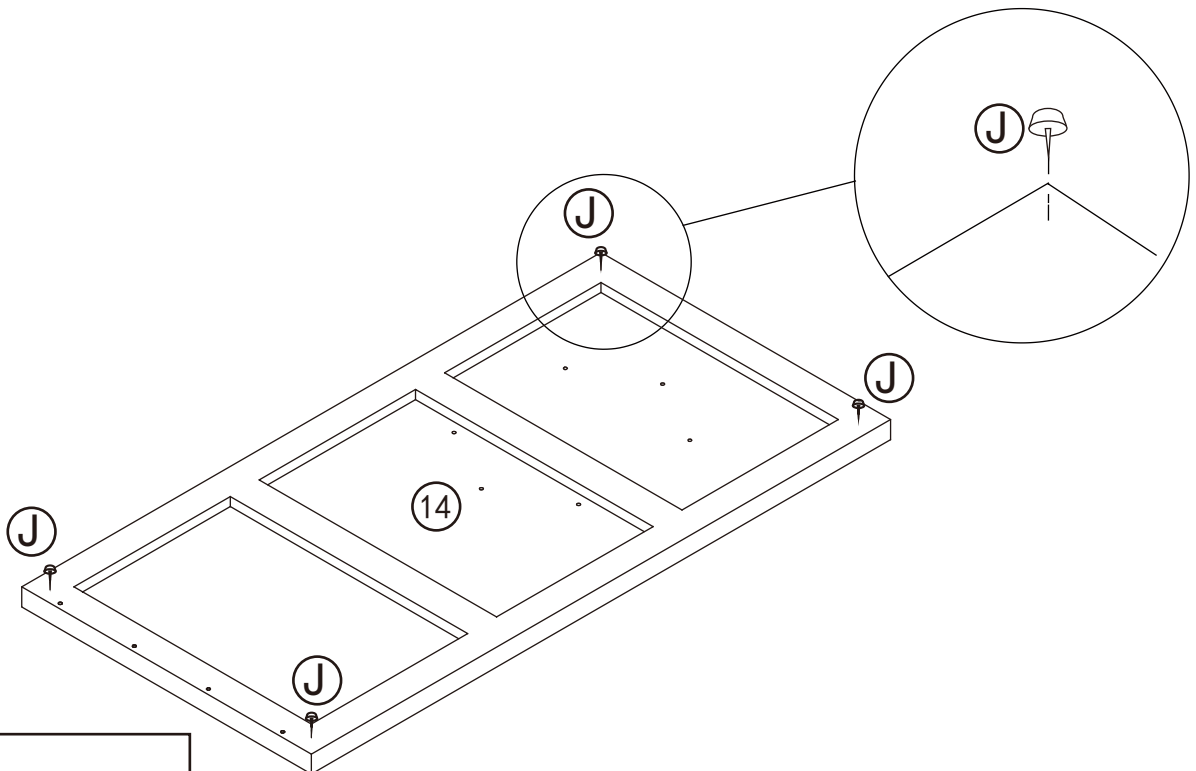
Cam Lock x 5

Assembly Instructions

Step 13

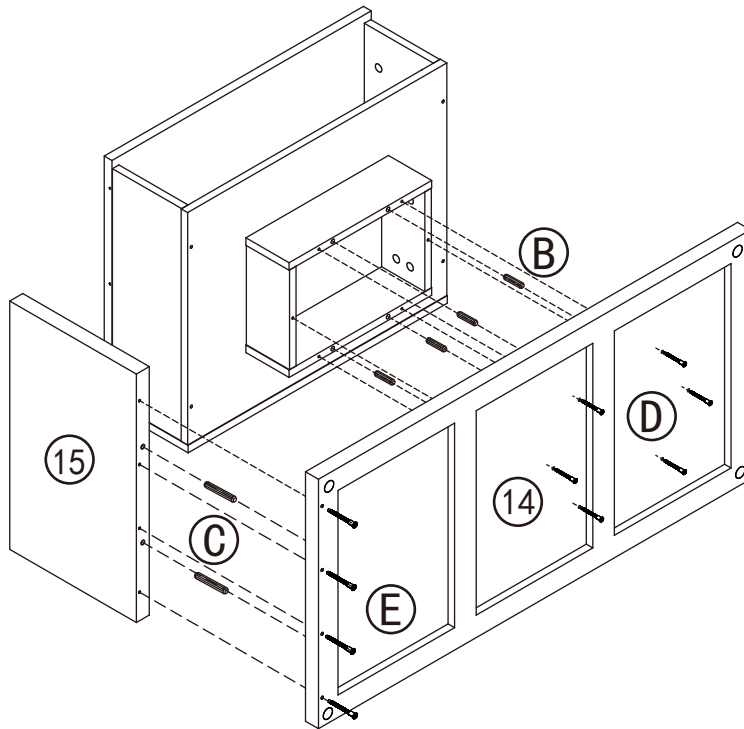


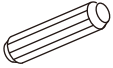



Step 14



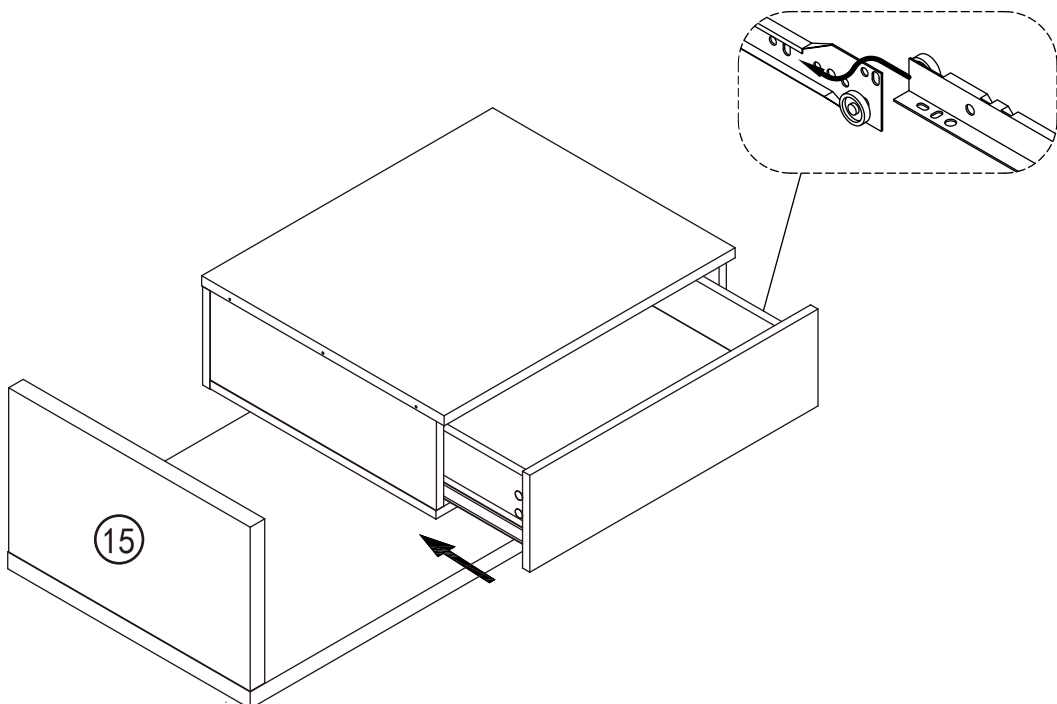
Assembly Instructions

Step 15



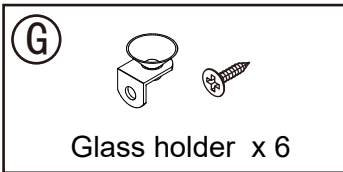
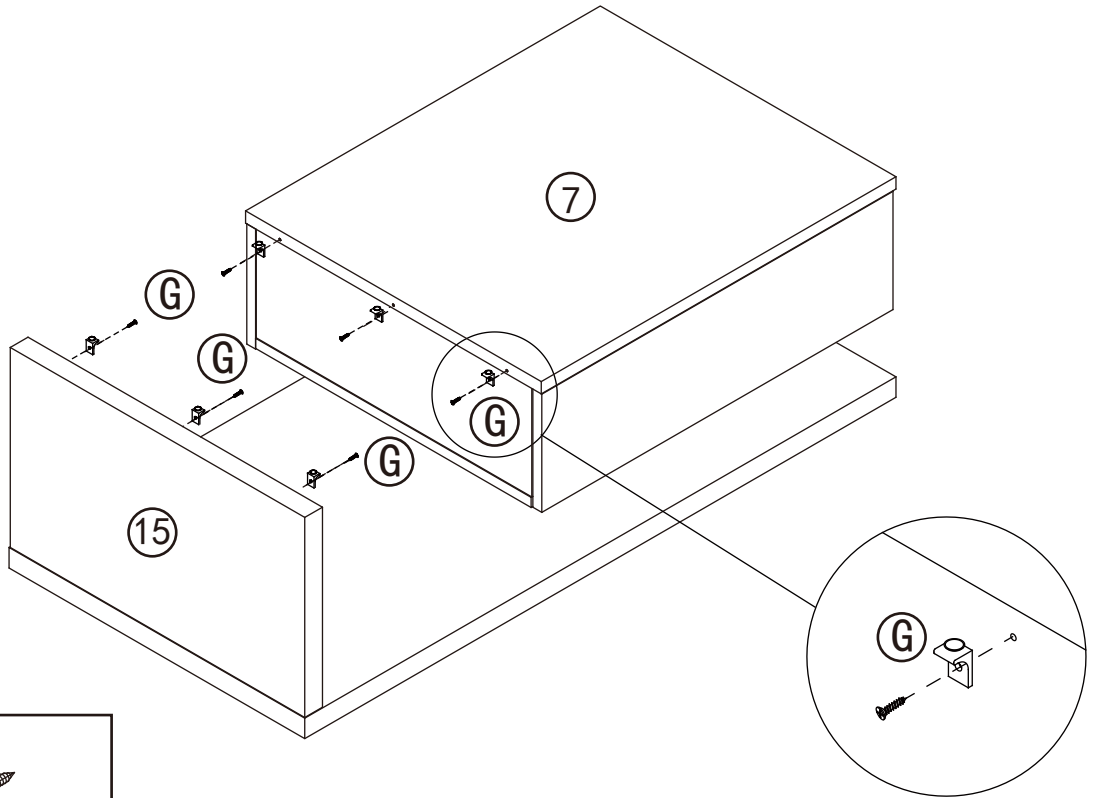
B  8*30mm Dowel x 4	C  8*60mm Dowel x 2	D  5*40mm Screw x 6	E  5*60mm Screw x 4
---	---	--	---

Step 16

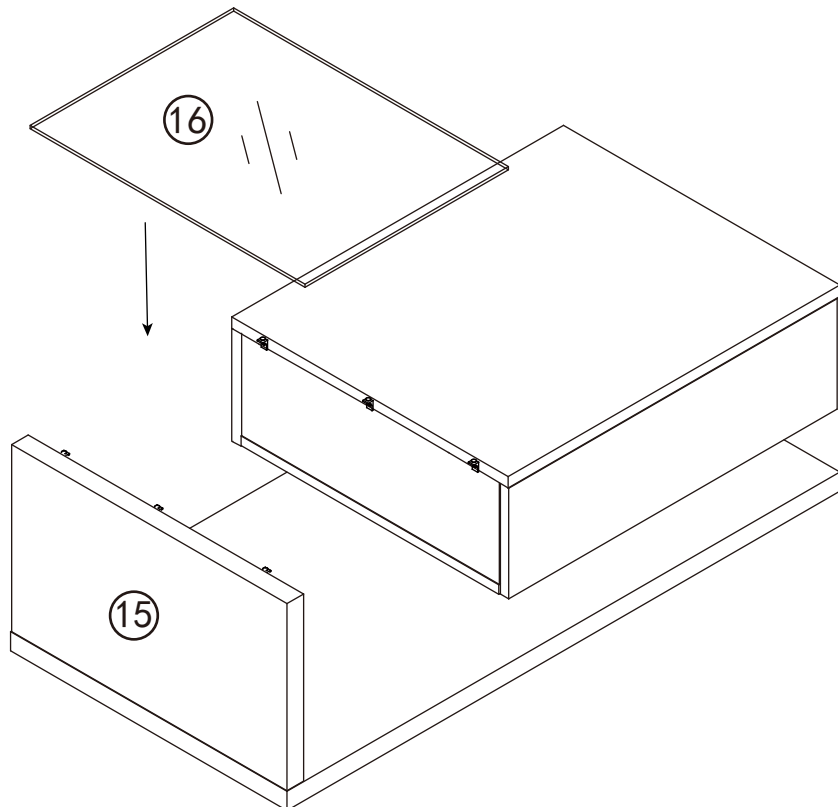


Assembly Instructions

Step 17

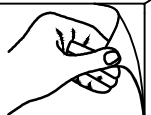


Step 18



Assembly Instructions

Step 19



There is a protective film,
please tear it off.

