

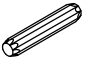
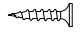



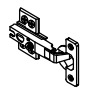



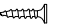
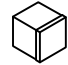
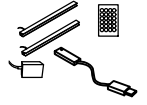
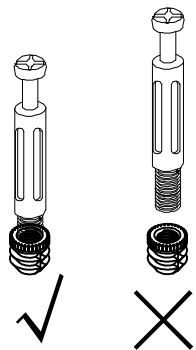


<p>A</p>  <p>34PCS</p>	<p>B</p>  <p>34PCS</p>	<p>C</p>  <p>31PCS</p>
<p>D</p>  <p>40PCS</p>	<p>E</p>  <p>12PCS</p>	<p>F</p>  <p>8PCS</p>
<p>G</p>  <p>8PCS</p>	<p>H</p>  <p>4PCS</p>	<p>I</p>  <p>2PCS</p>
<p>J</p>  <p>4PCS</p>	<p>K</p>  <p>16PCS</p>	<p>L</p>  <p>16PCS</p>
<p>M</p>  <p>2PCS</p>	<p>LED</p>  <p>1PCS</p>	

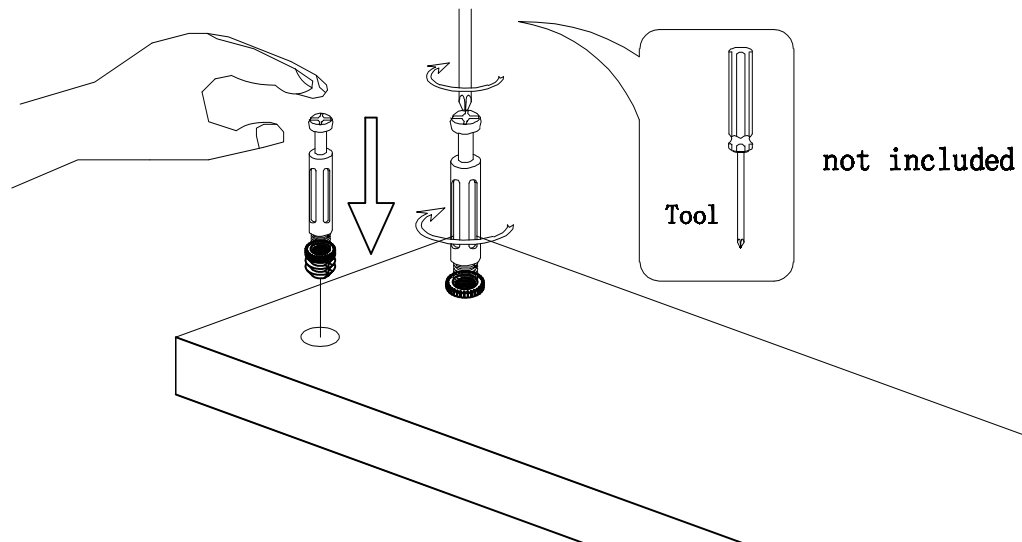
"A" Hardware installation example

I

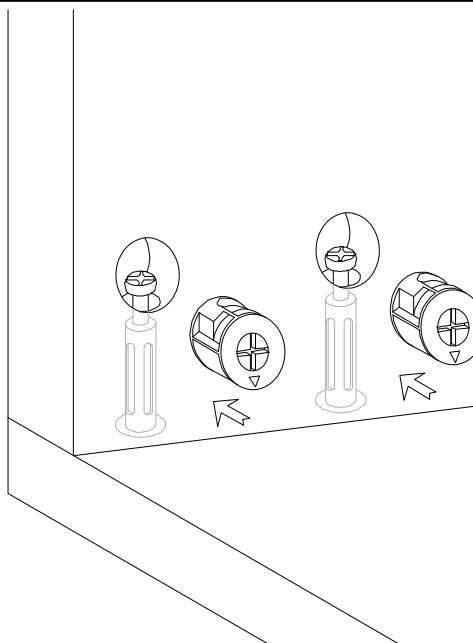


This part cannot be separated,
please install in strict
accordance with the assembly
requirements

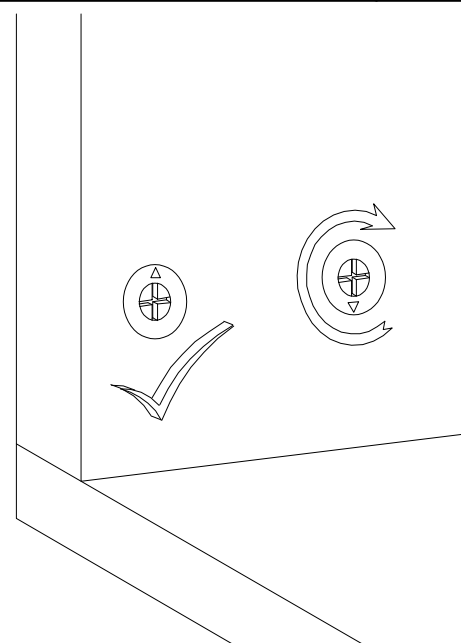
II



III

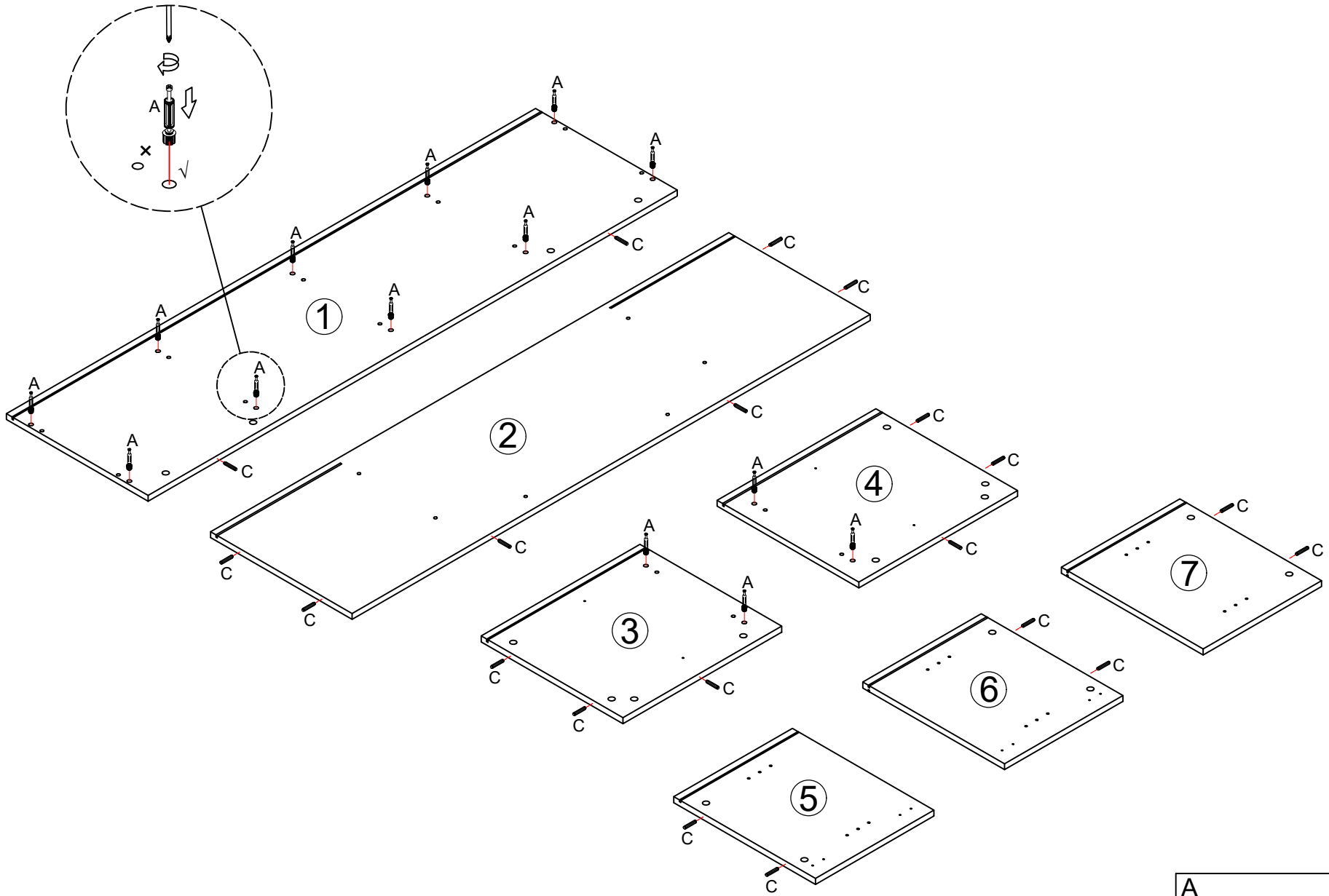



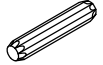
IV

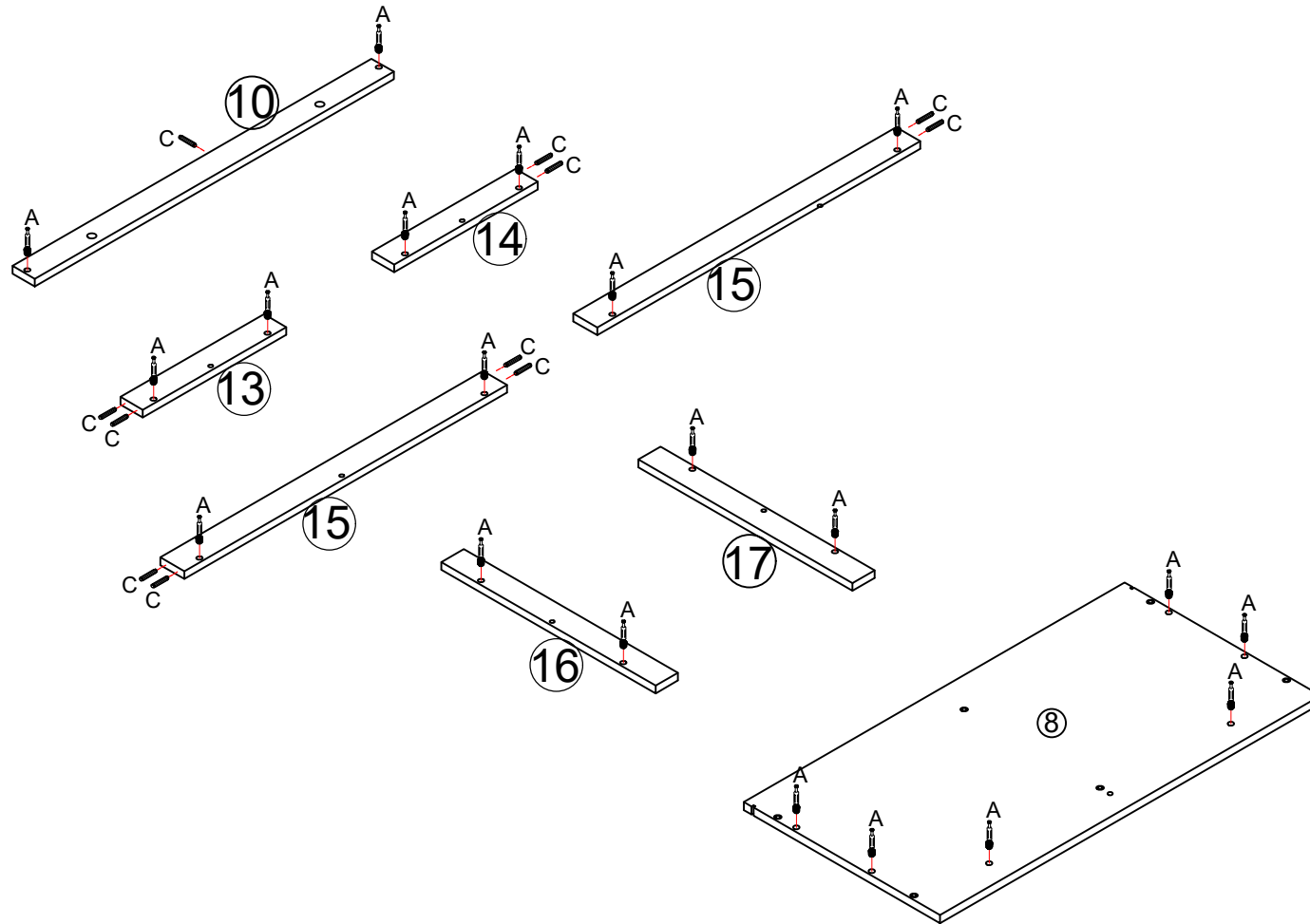


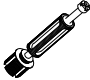
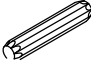
1

P.3

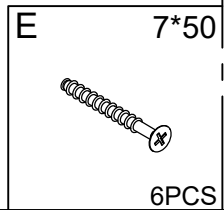
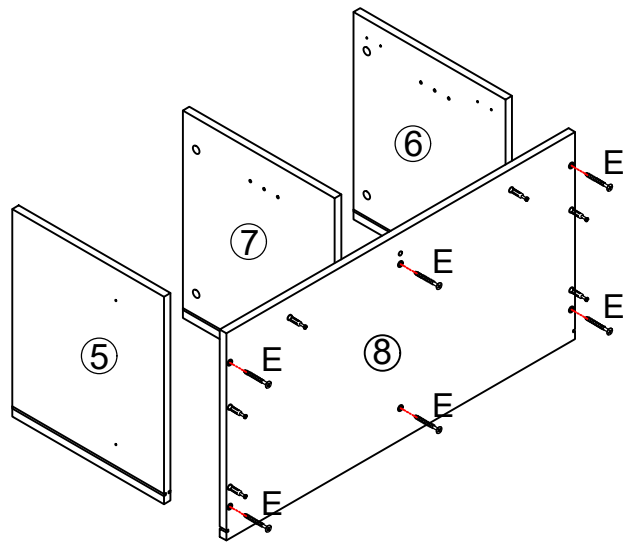


A	C
	
14PCS	20PCS

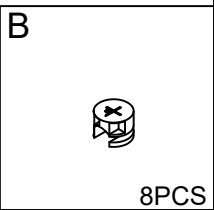
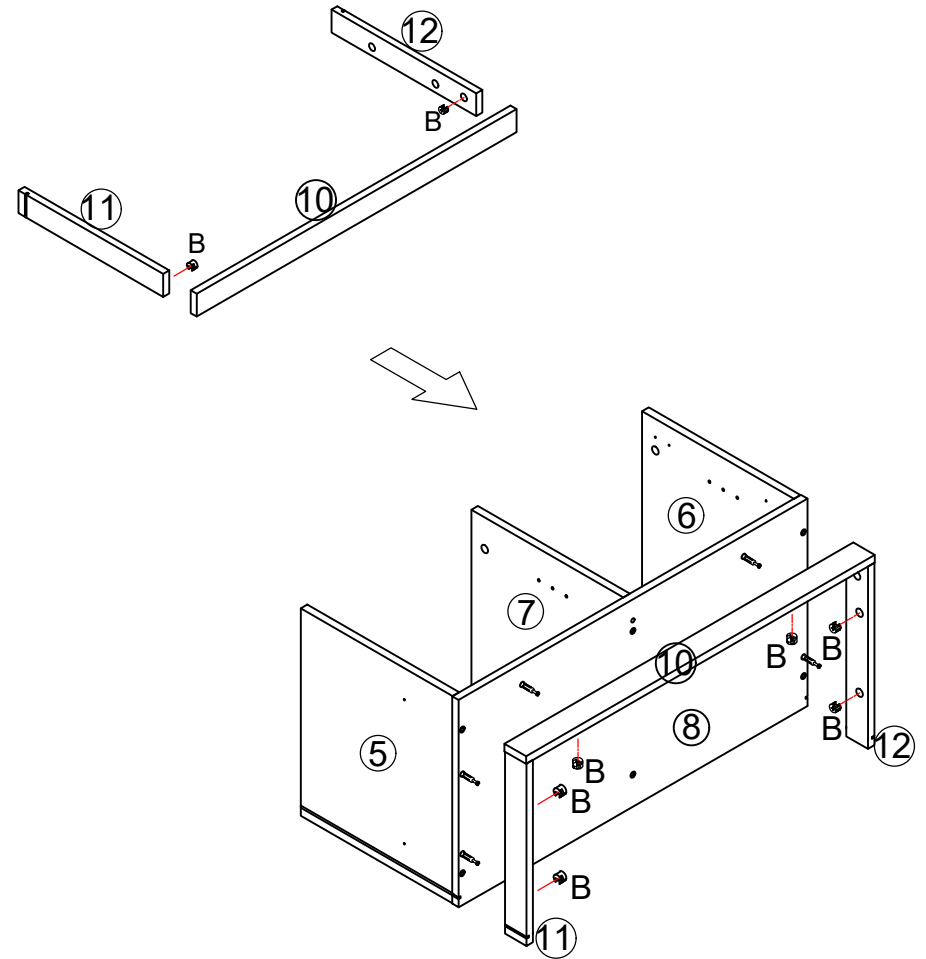


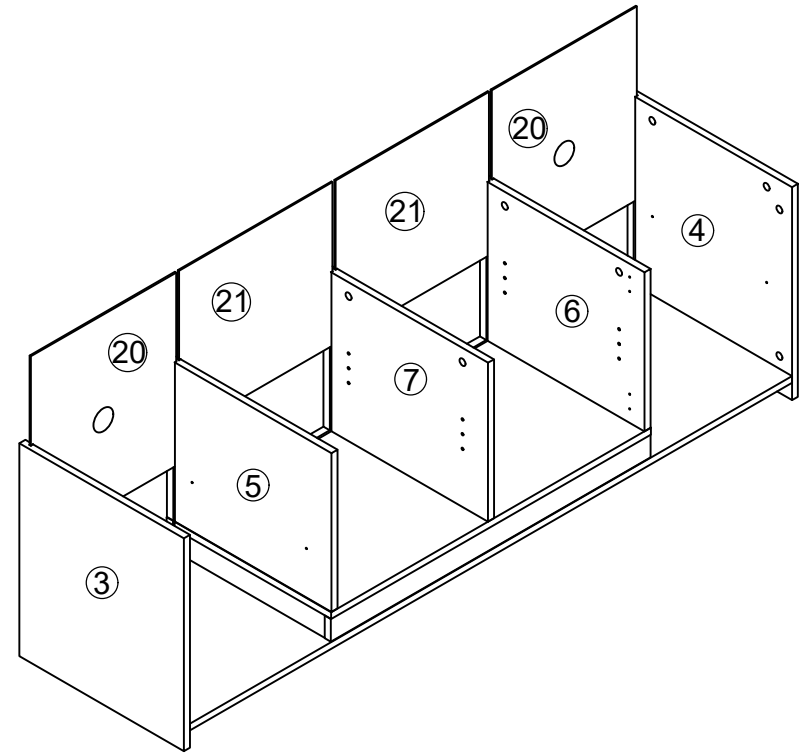
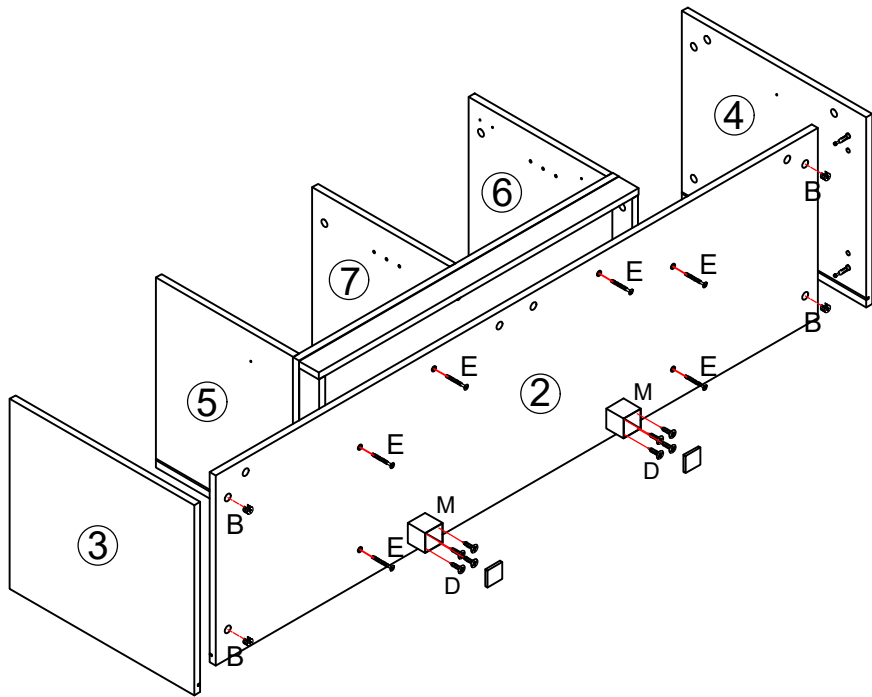
A	C 8*40
	
20PCS	11PCS


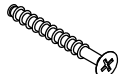
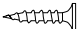

3



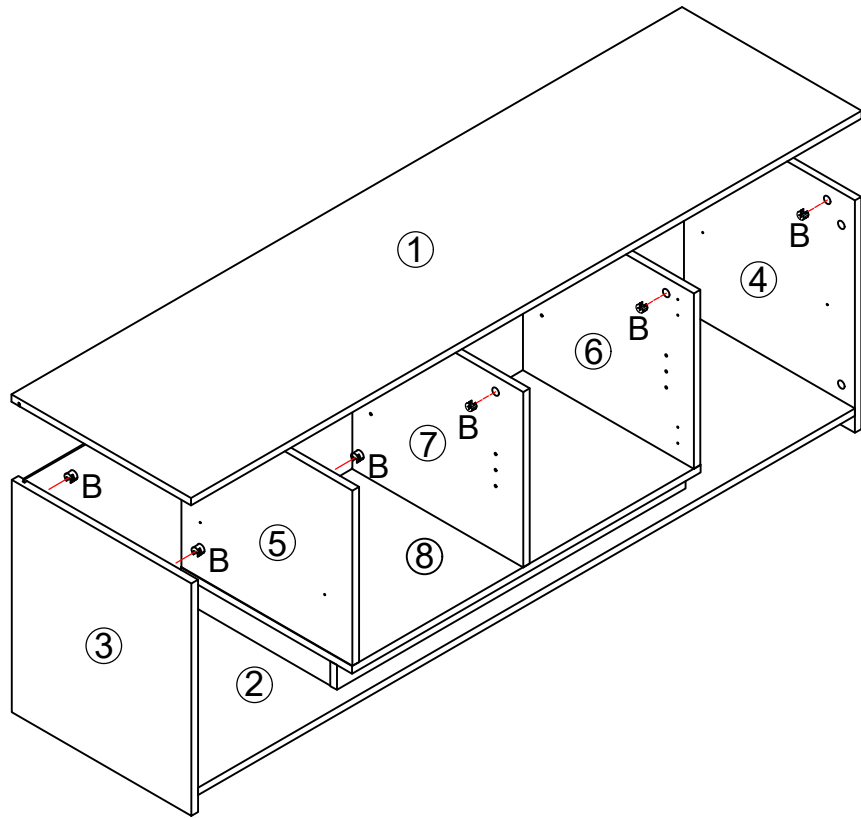
P.5





B	E 7*50	D 3.5*14	M
			
4PCS	6PCS	8PCS	2PCS

5

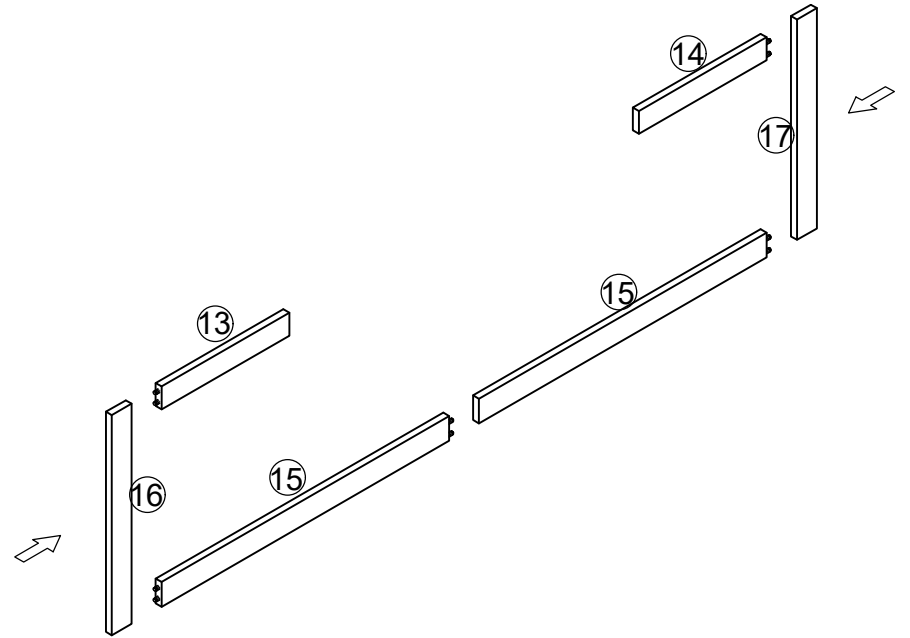


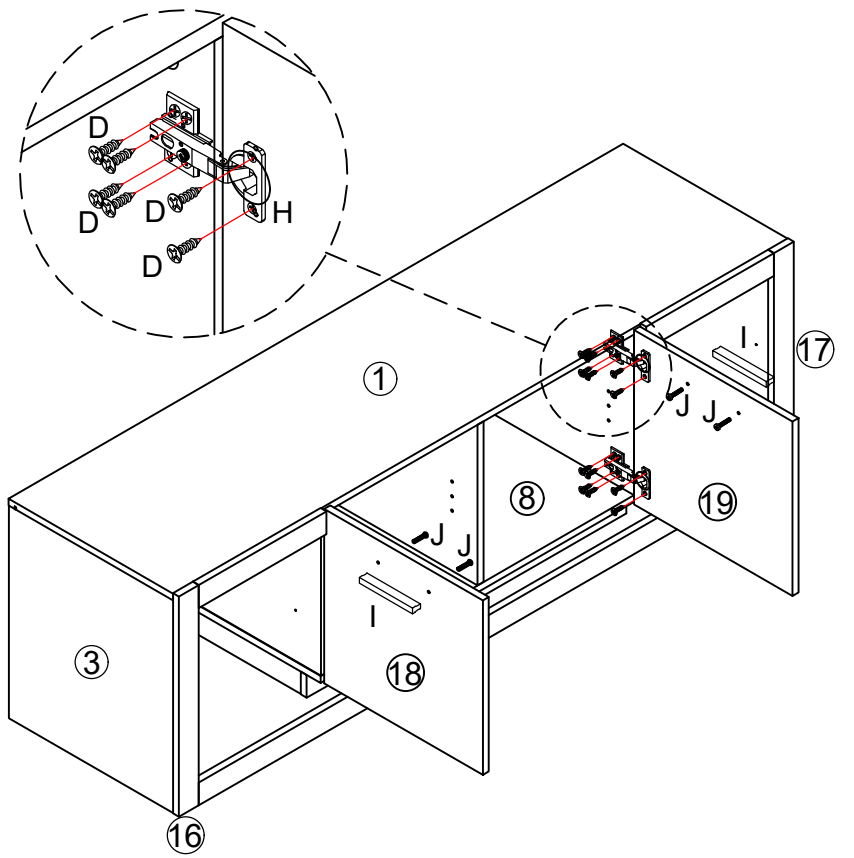
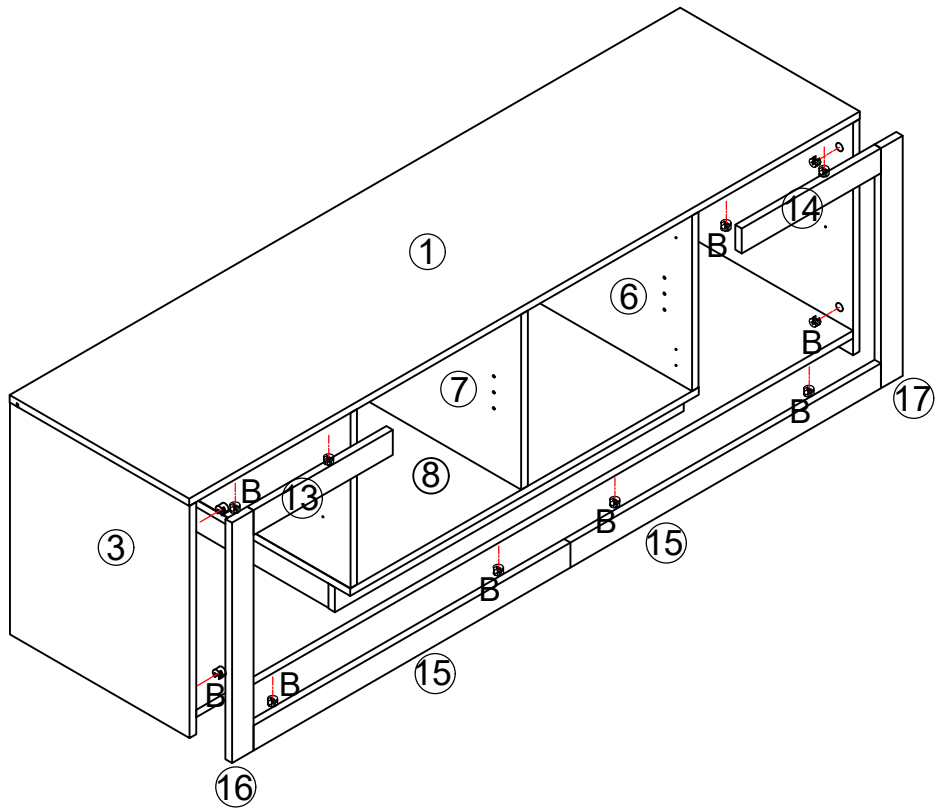
B




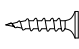
10PCS

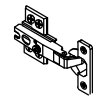
P.7

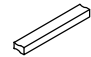





B		12PCS
---	--	-------

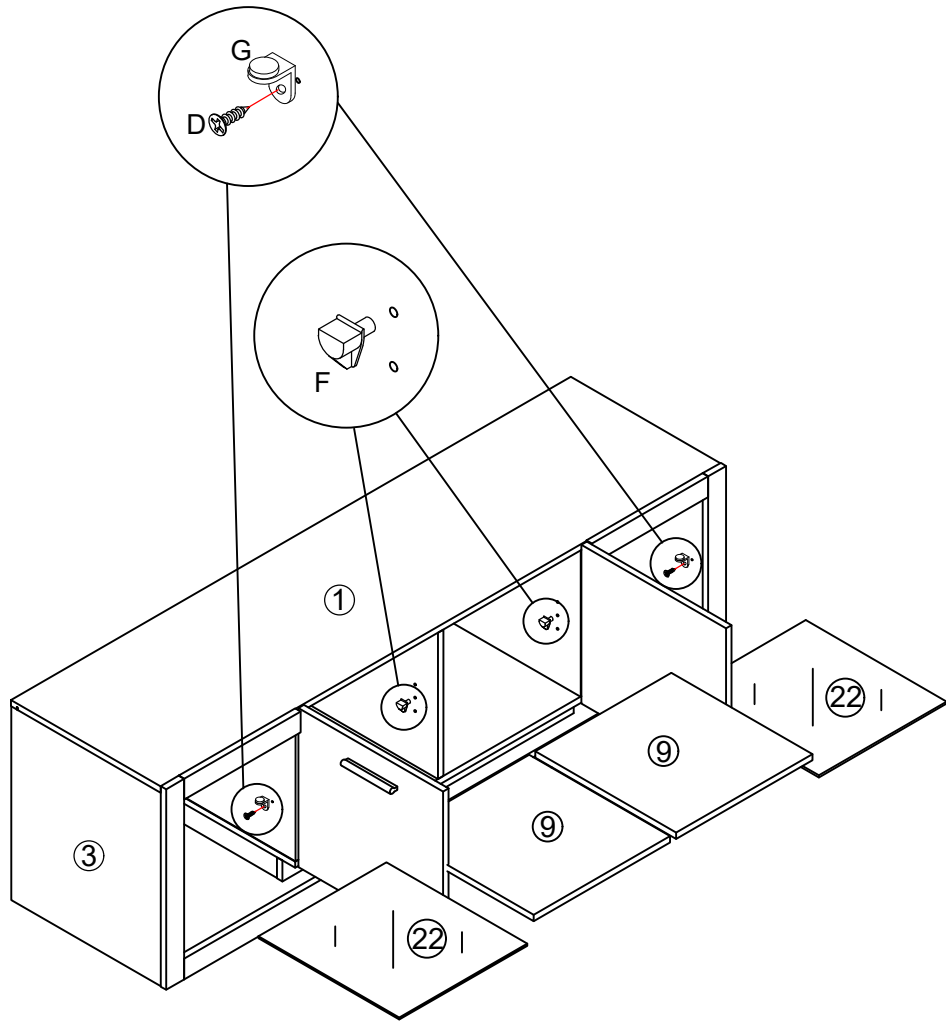
D	3.5*14		24PCS
---	--------	---	-------

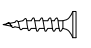


H		4PCS
---	---	------

I	128		2PCS
---	-----	---	------

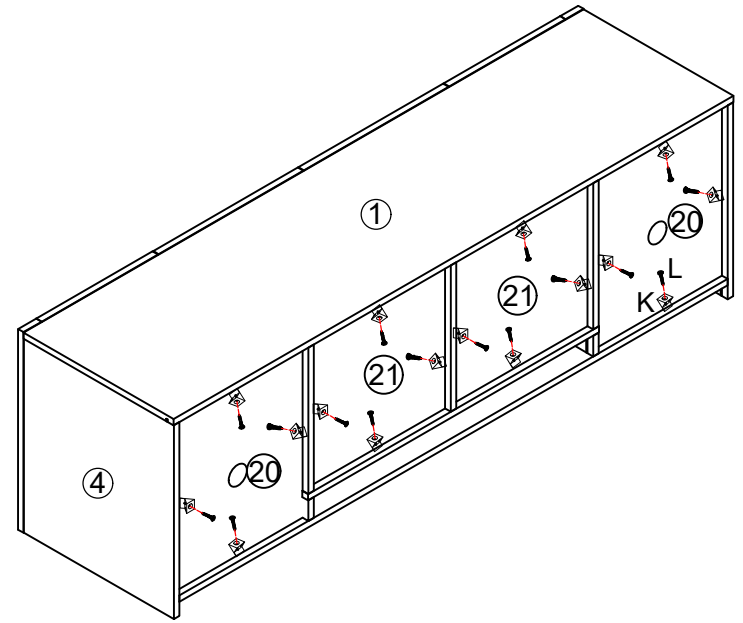
J	4*18		4PCS
---	------	---	------


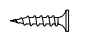
7



D	3.5*14	F	G
			
8PCS		8PCS	8PCS

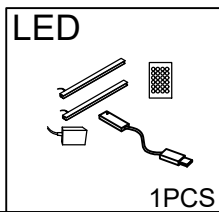
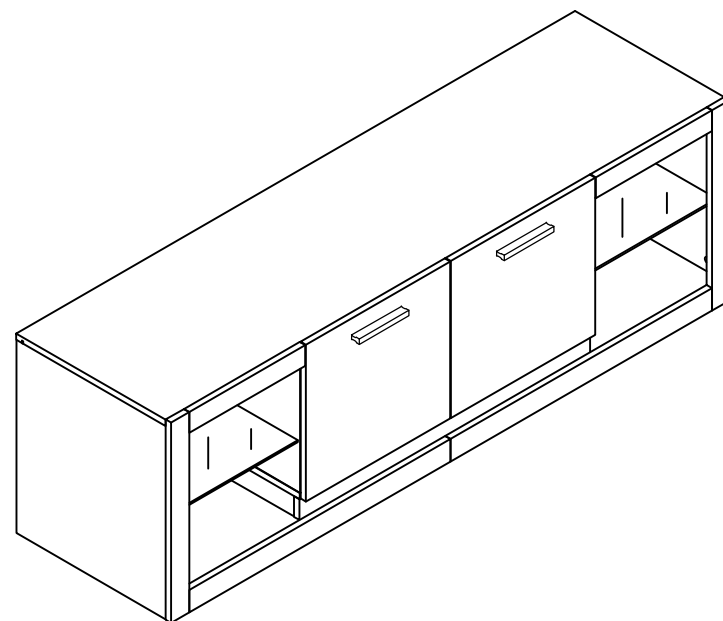
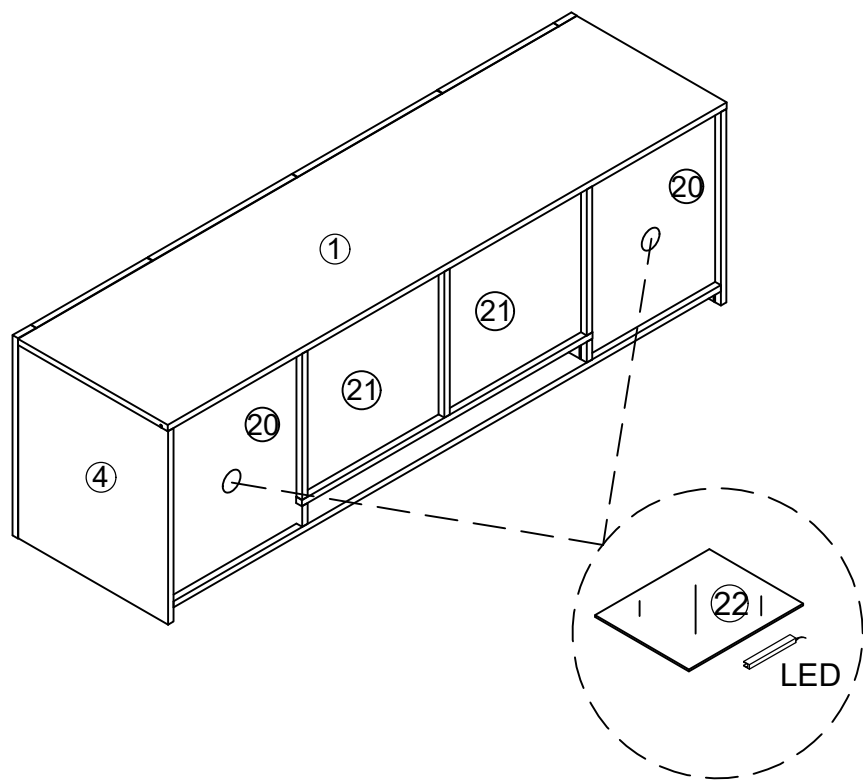
P.9



K	L	3*12
		
16PCS	16PCS	

8

P.10



LED Light

If you can't let the lights work successfully, please check the following:

1. Please check the direction of the connect, try it in the opposite direction, according to the following picture.
2. Please check the remote control, it need you to tear down the plastic septum before use it.
3. Don't let the remote control too far from the receiver, make sure there is no obstruction between them.

