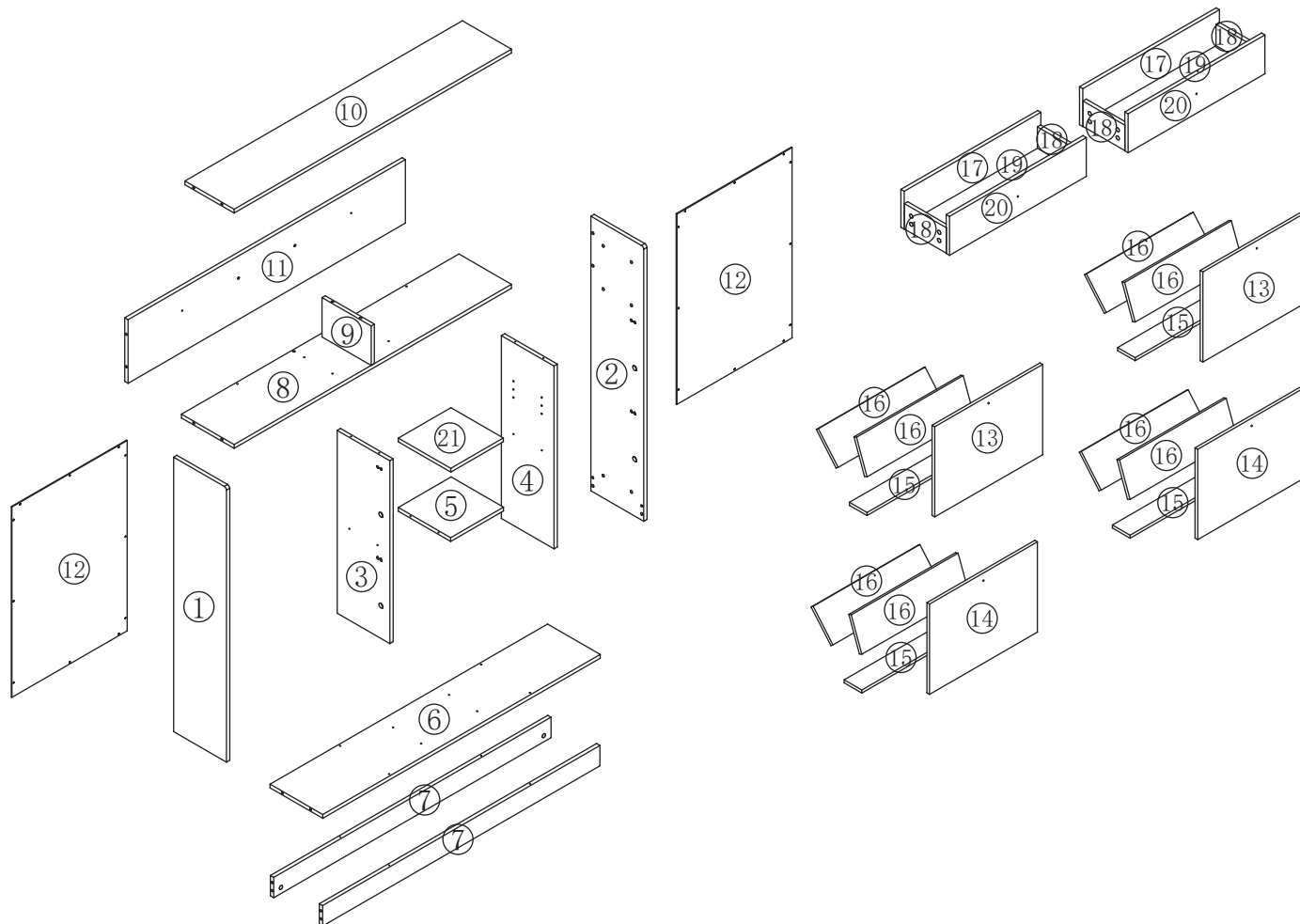
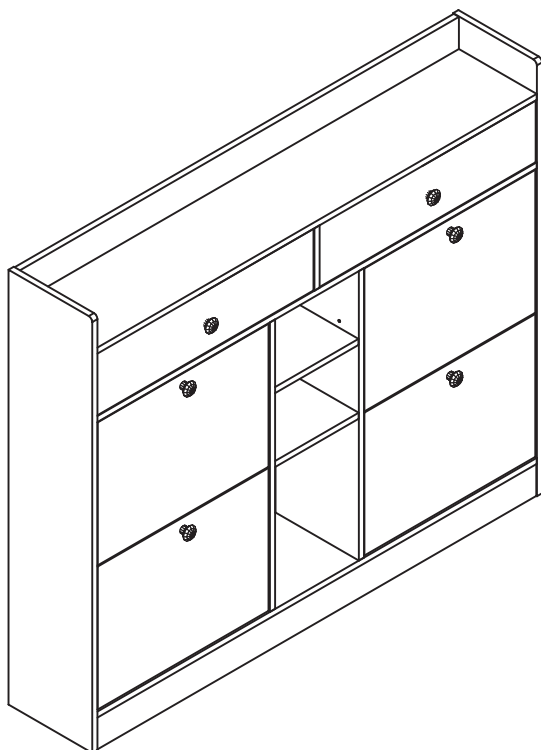


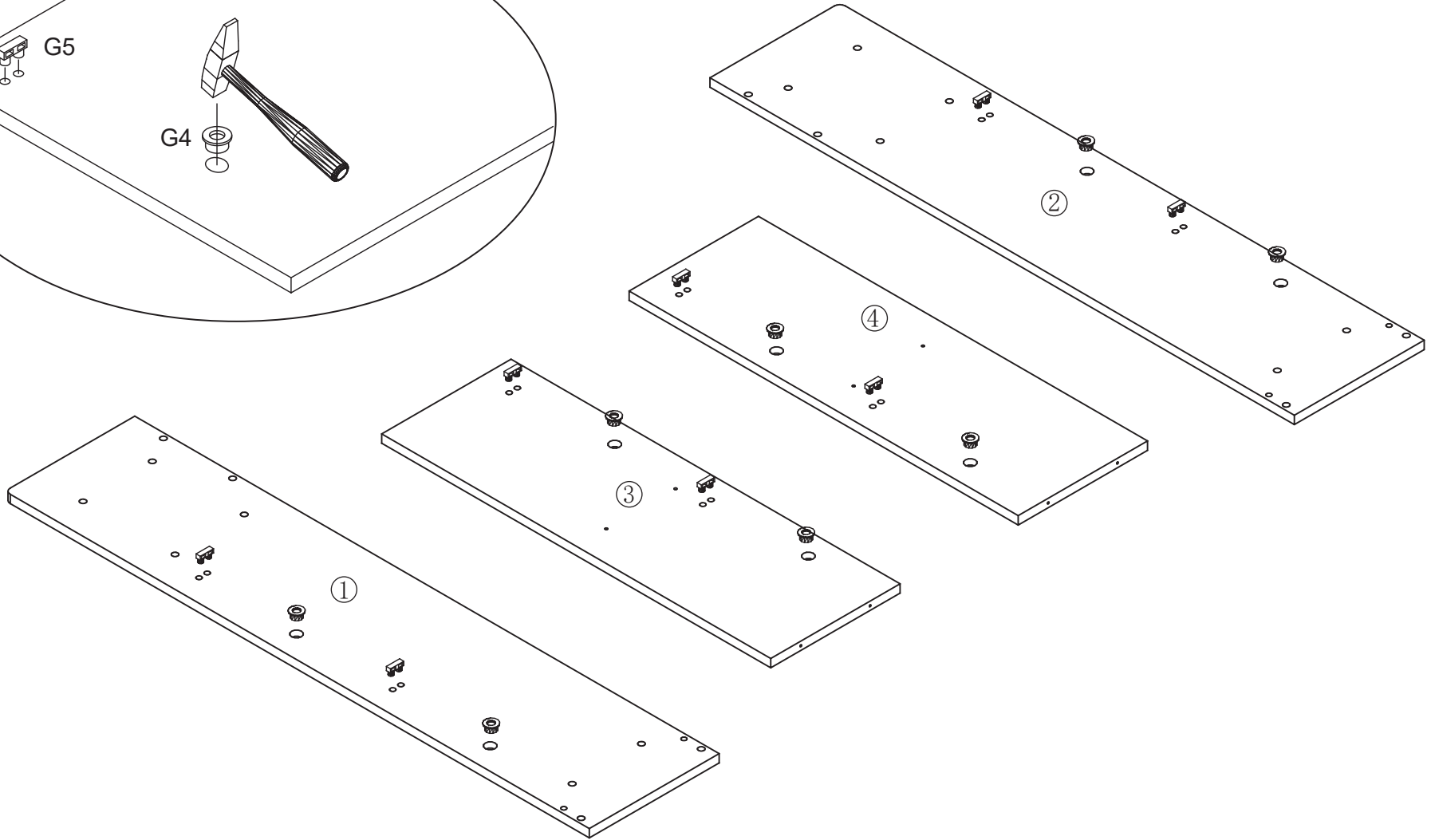
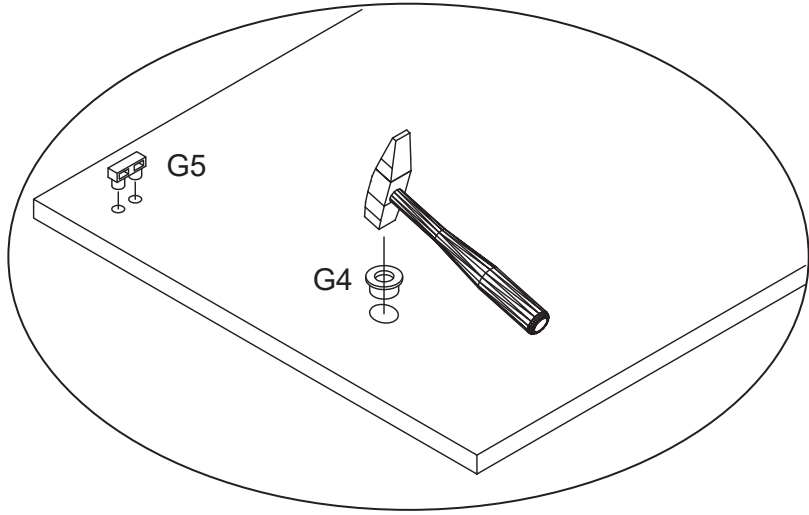
INSTRUCTION MANUAL



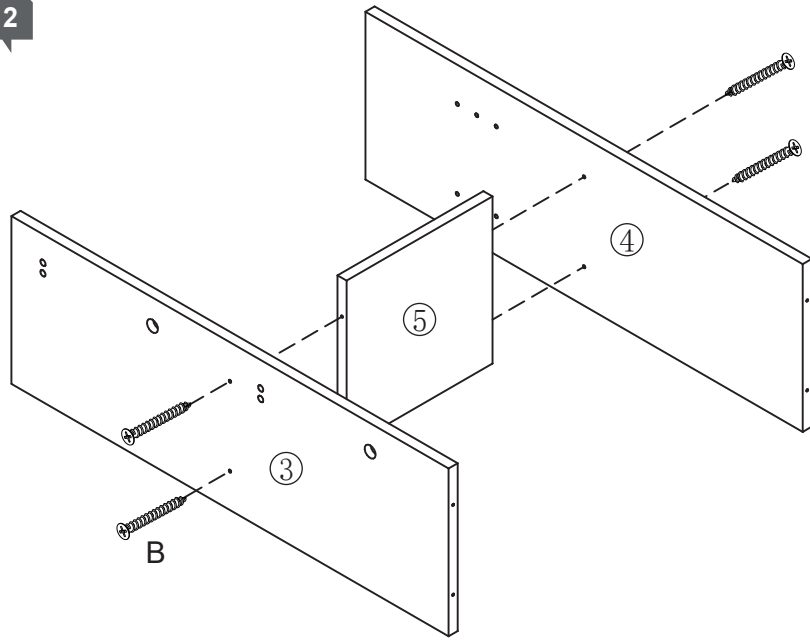
A 38+1pcs 	B 22+2pcs 	C 8+2pcs 	D 4+1pcs 	E 4pcs 	F 6set
G 4set 	H 2pcs 	J 52+3pcs 	K 24+2pcs 	L 1pcs 	
	M3.5*35mm	M8*30mm			
		M3.5*12mm			

Step 1

G4=8
G5=8

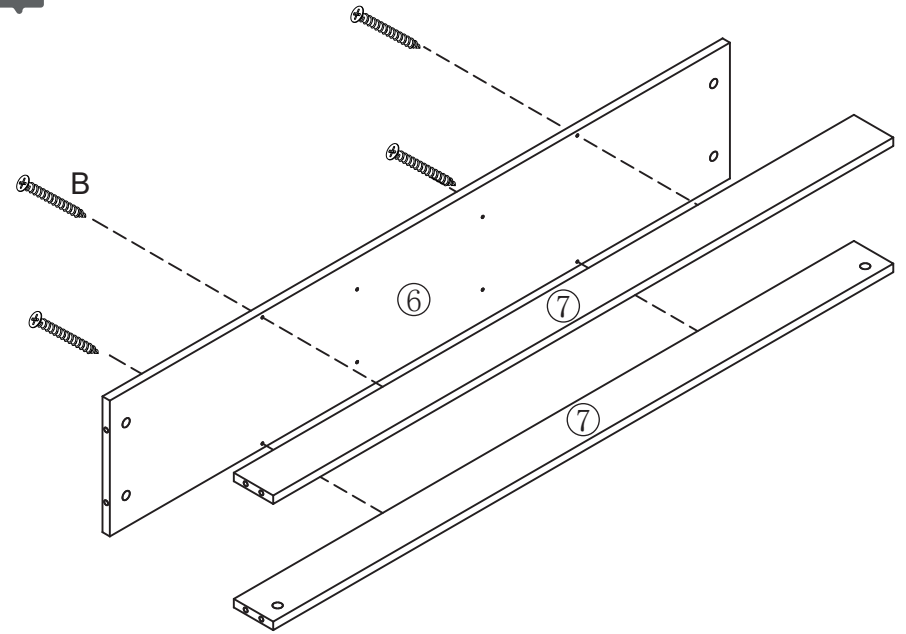


Step 2



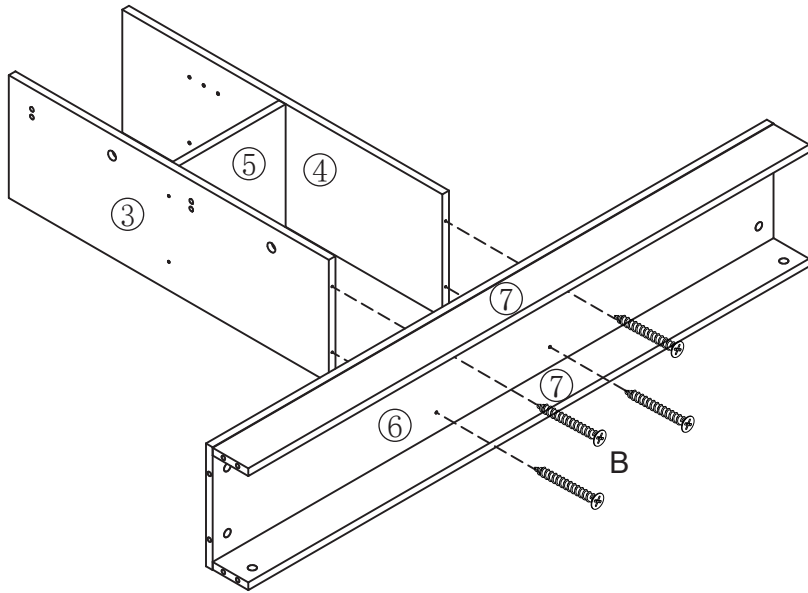
B=4

Step 3



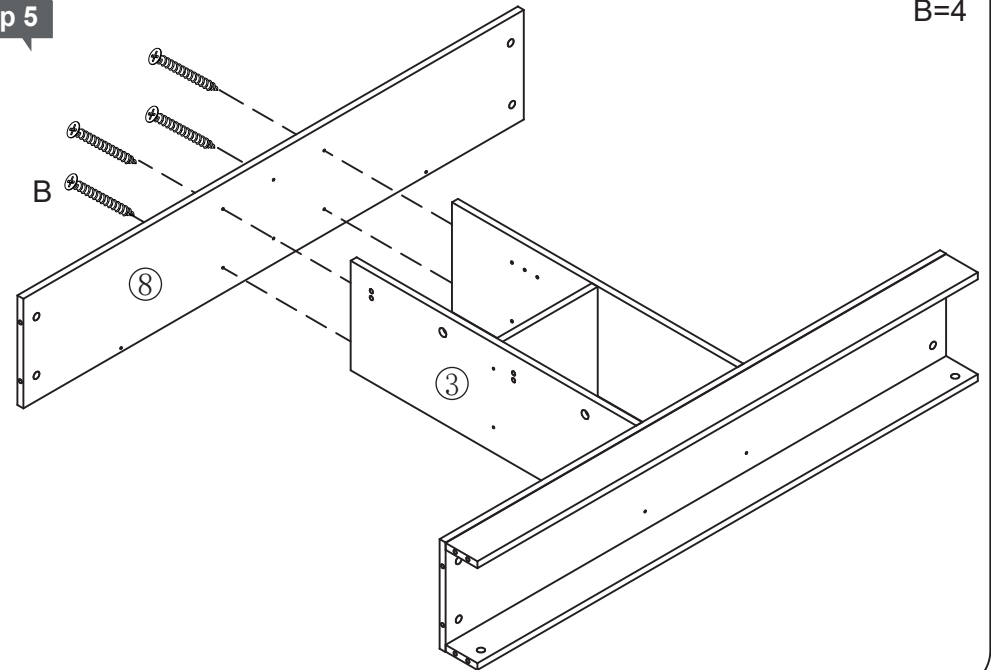
B=4

Step 4



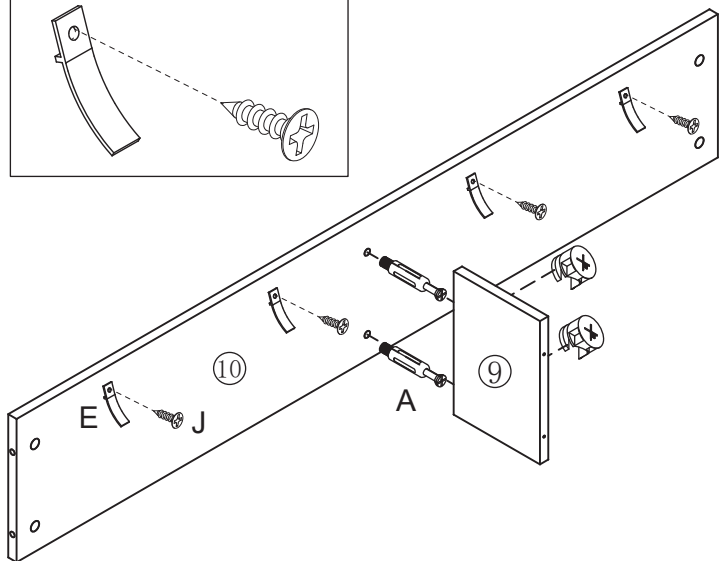
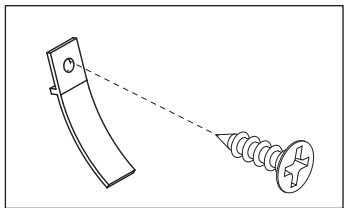
B=4

Step 5



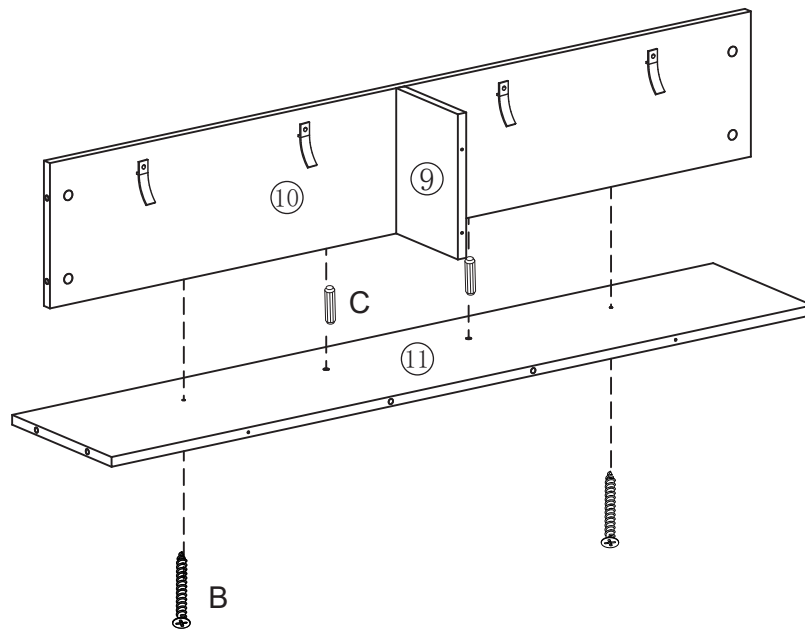
B=4

Step 6



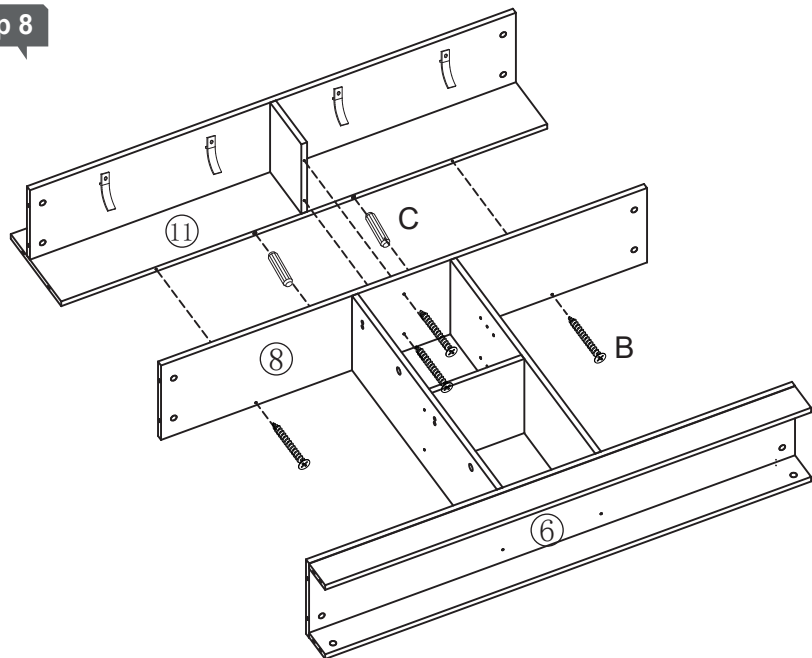
A=2
E=4
J=4

Step 7



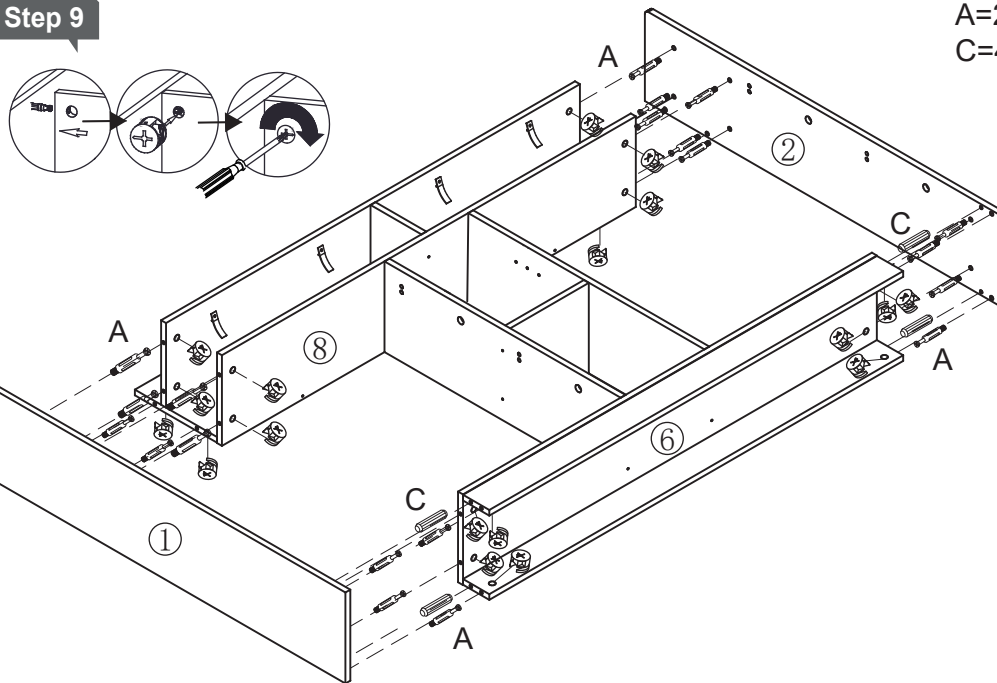
B=2
C=2

Step 8



B=4
C=2

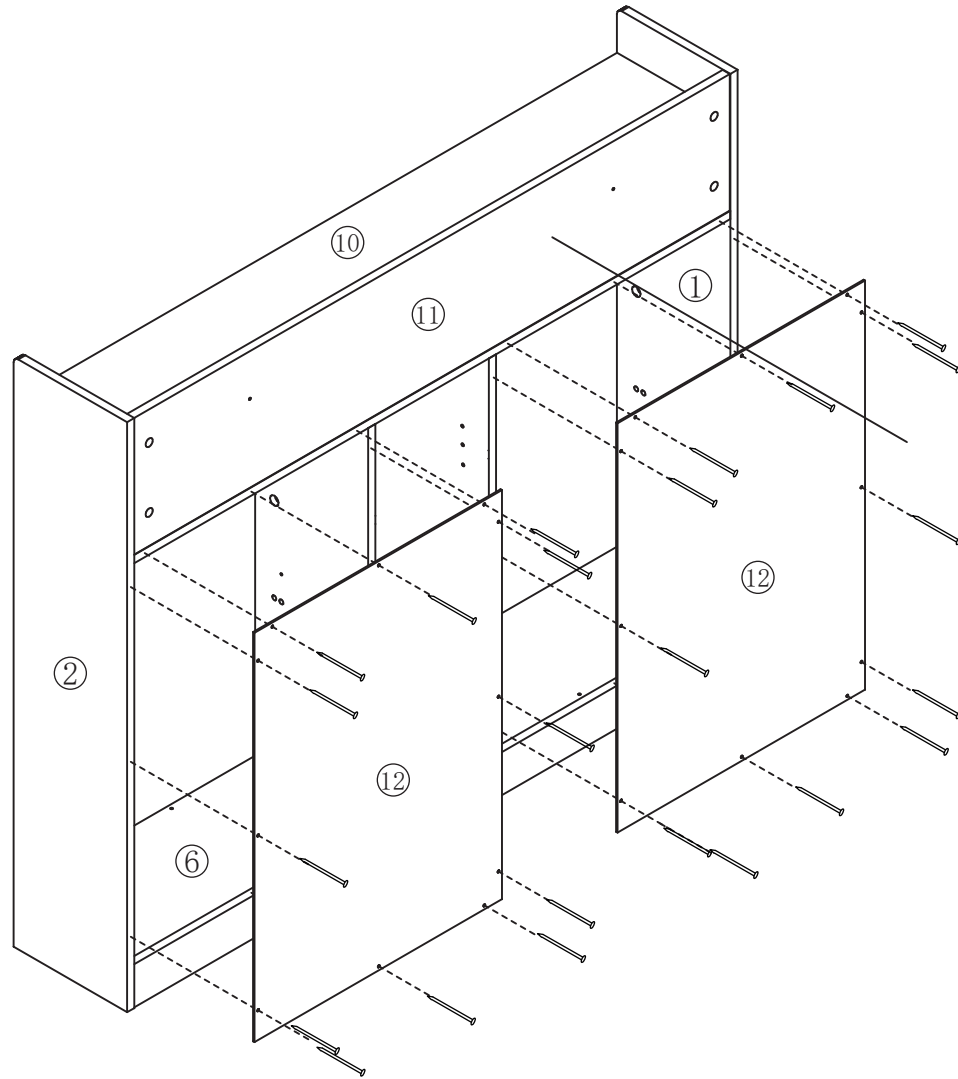
Step 9



A=20
C=4

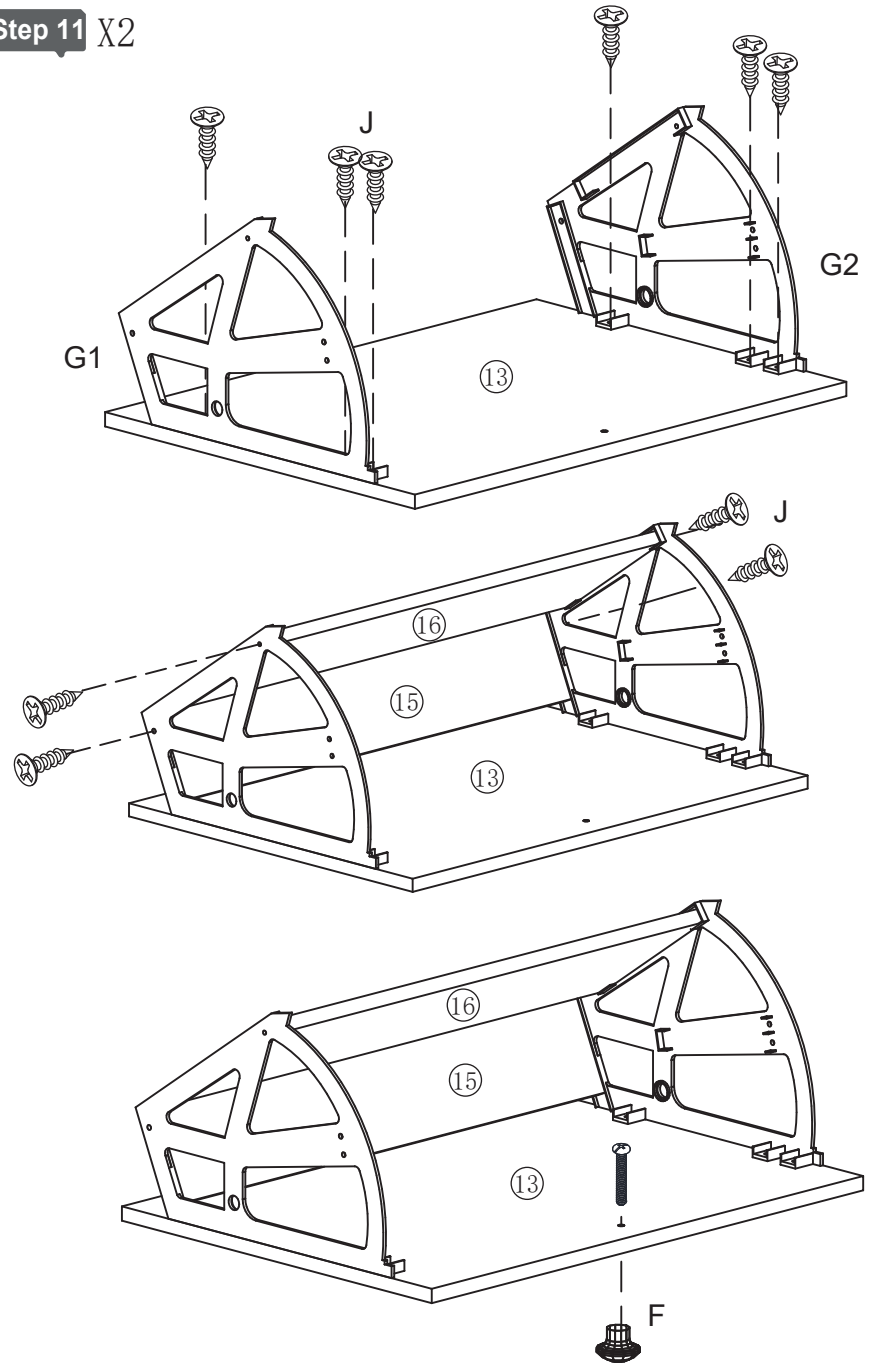
Step 10

K=24



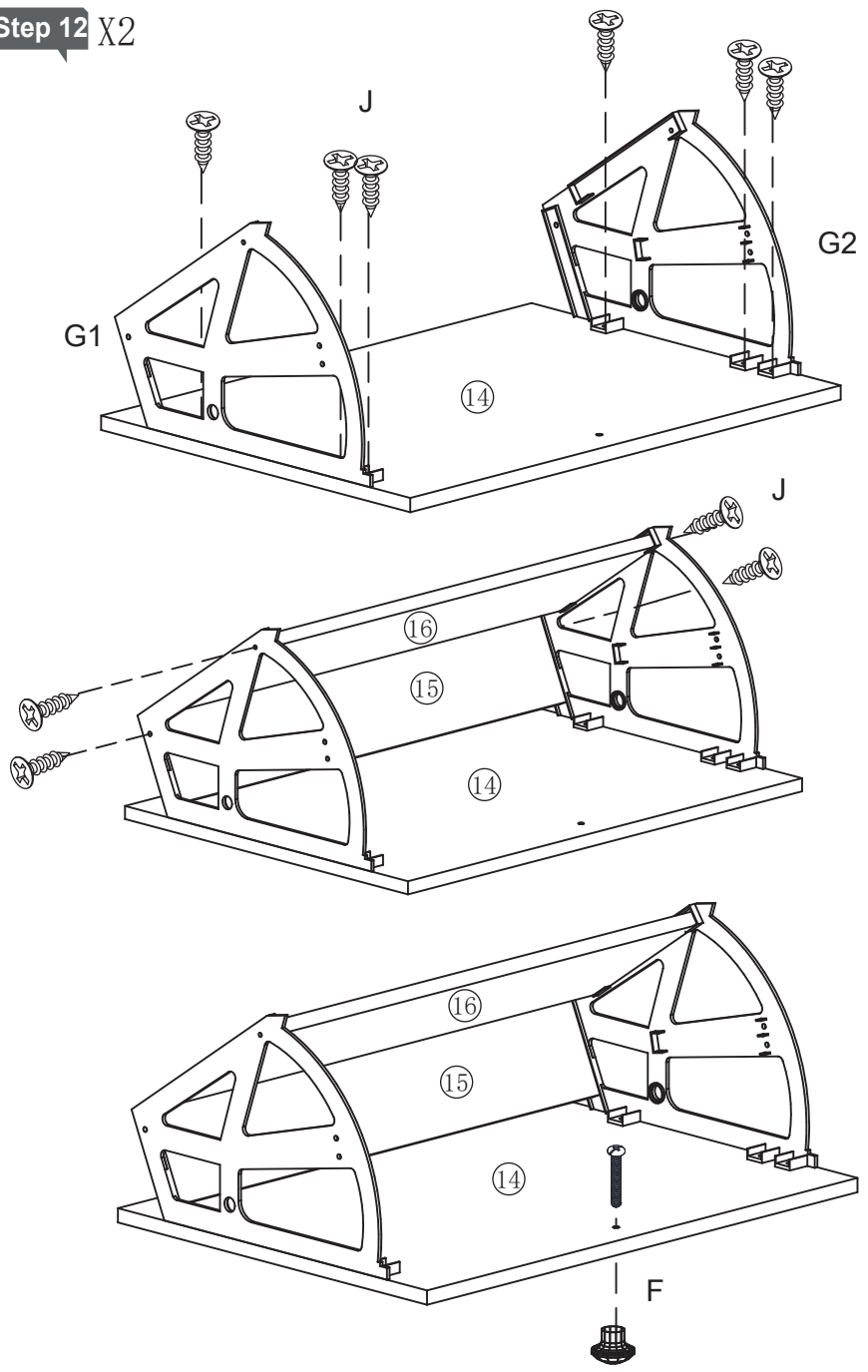
Step 11 X2

G1=2
G2=2
F=2
J=20



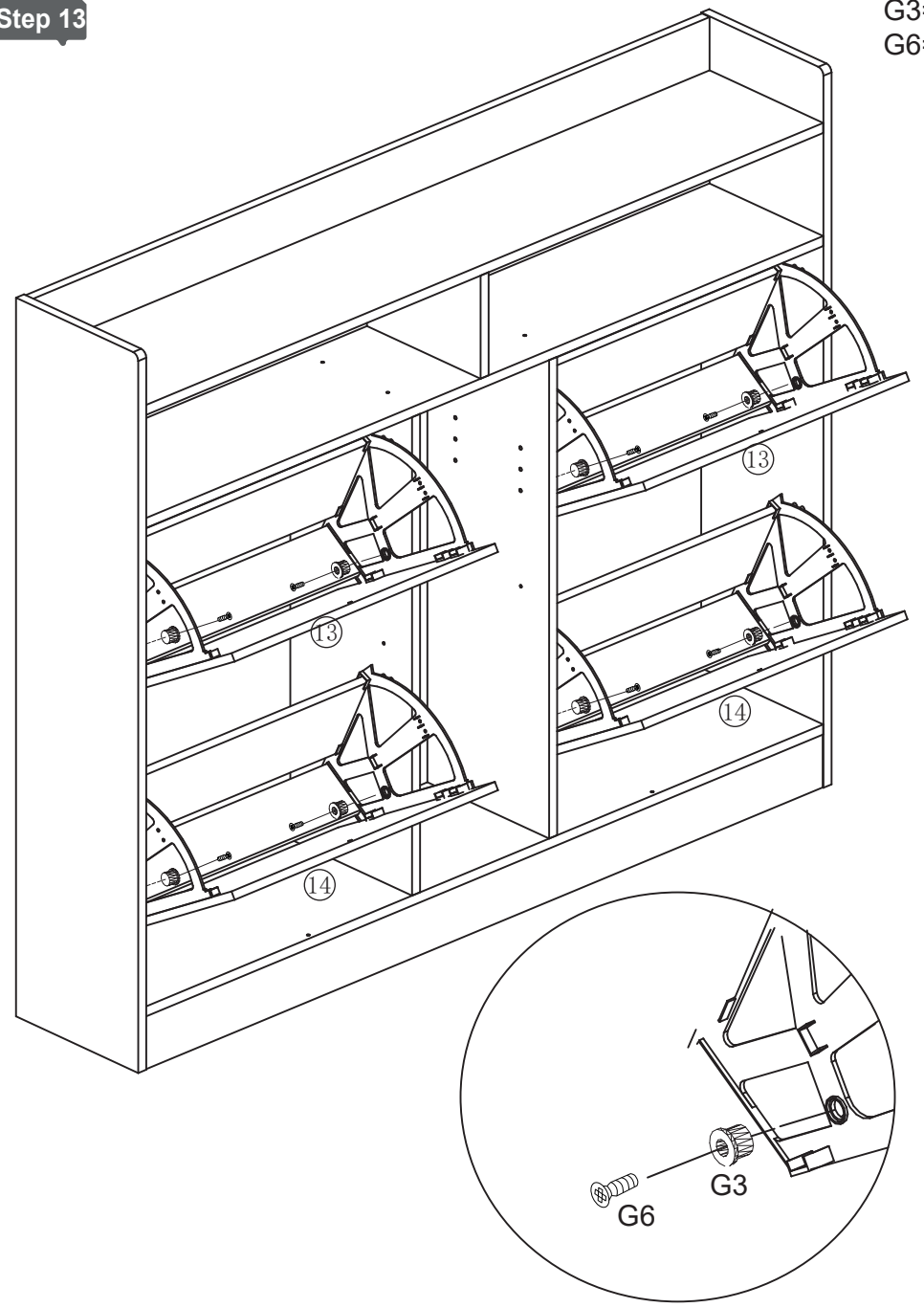
Step 12 X2

G1=2
G2=2
F=2
J=20



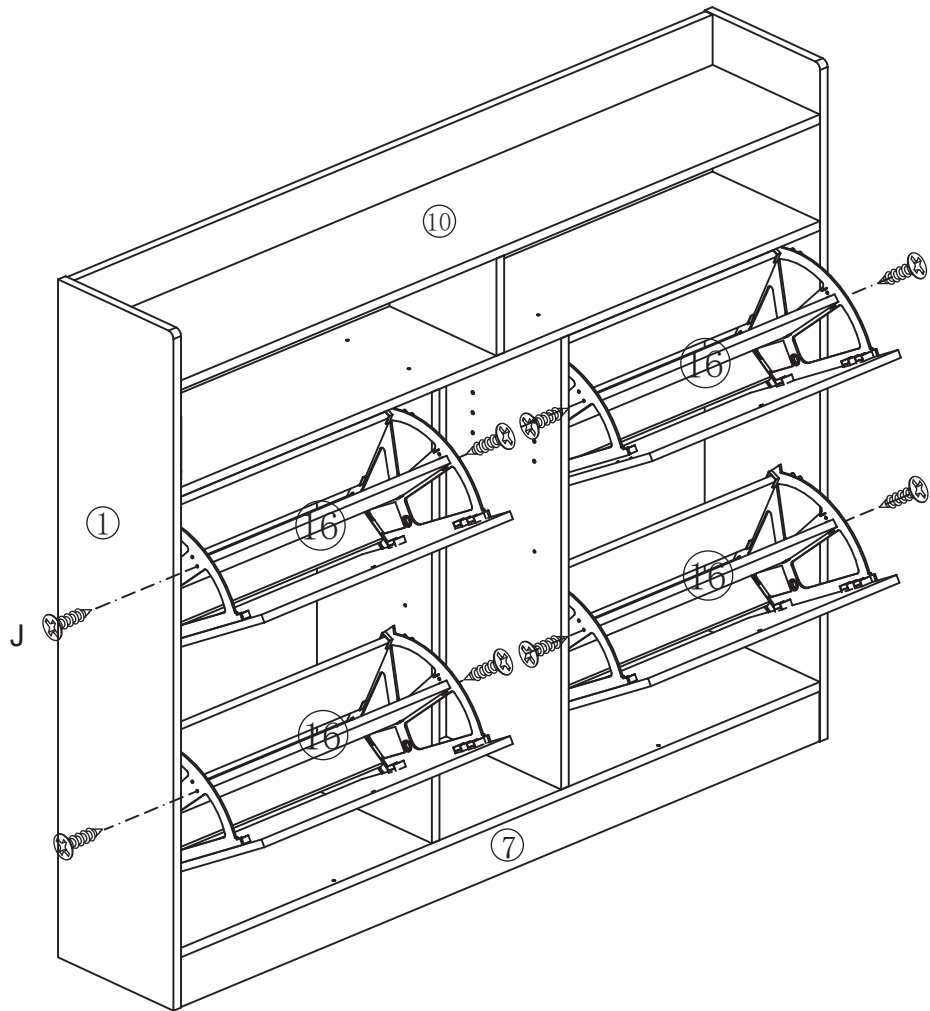
Step 13

G3=8
G6=8



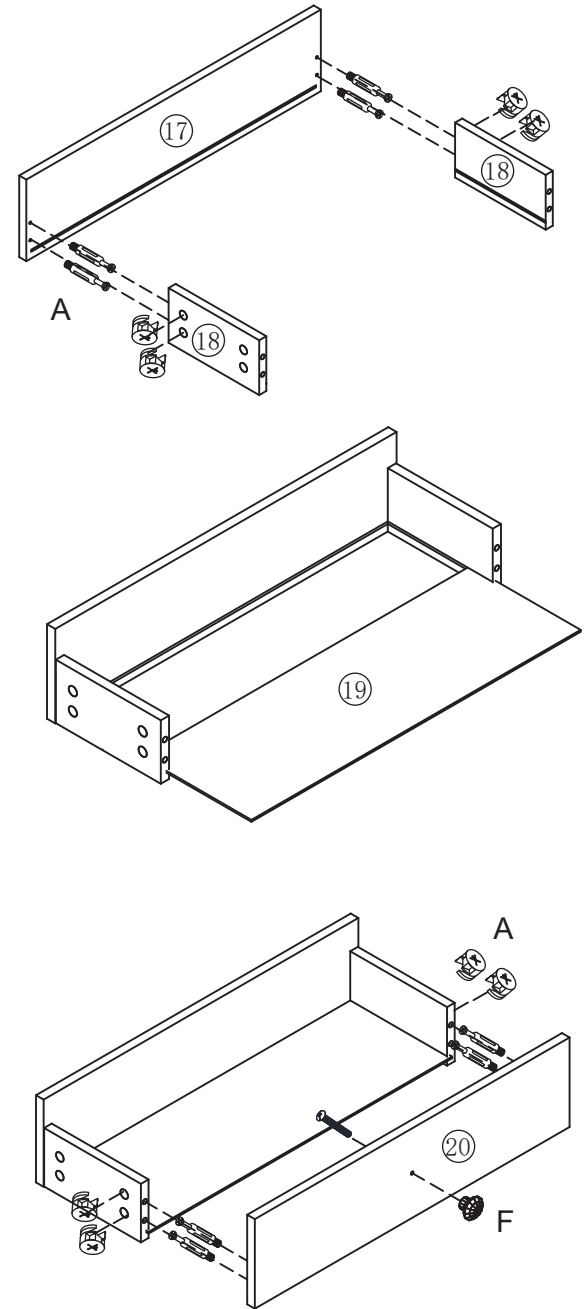
Step 14

J=8

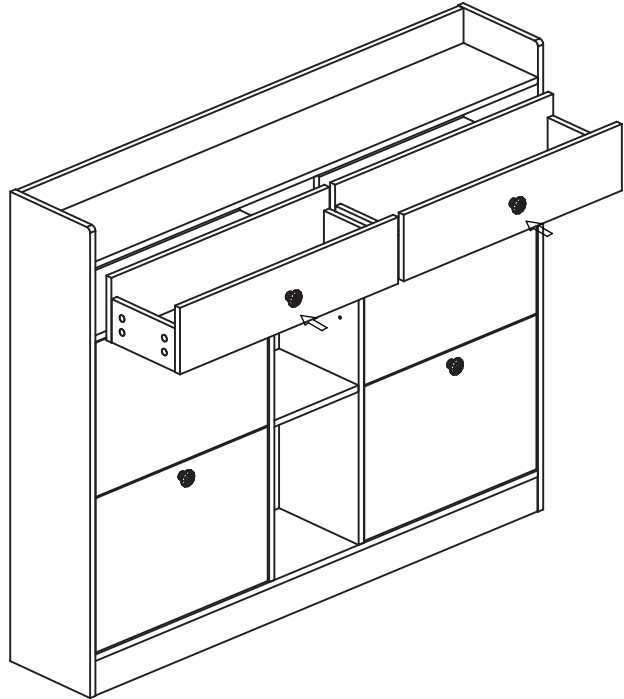


Step 15 X2

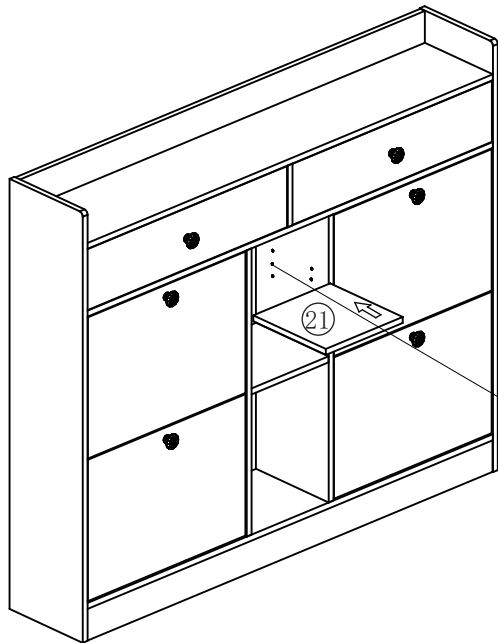
A=16
F=2



Step 16

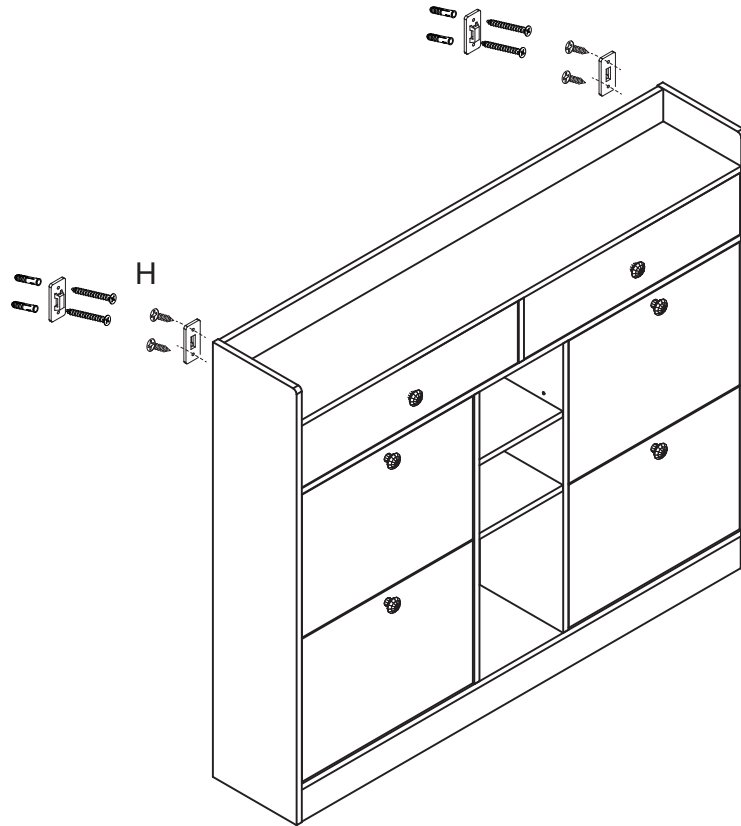


Step 17

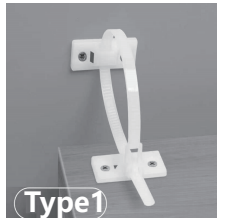


D=4

Step 17



H=2



Type1



Type2



Type3

This is anti-dumping belt that fix the product to the wall and it can be used or not follow your needs.

If it is a solid wall, please use expansion and self-tapping screws, if it is a wooden wall, only use self-tapping screws, please do not overtighten the screws.