

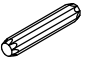

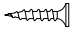
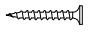
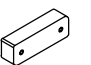
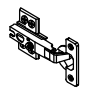
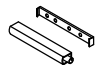
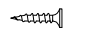


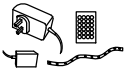
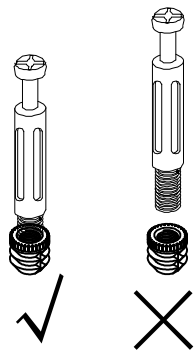


<p>A</p>  <p>22PCS</p>	<p>B</p>  <p>22PCS</p>	<p>C</p> <p>8*40</p>  <p>22PCS</p>
<p>D</p> <p>7*50</p>  <p>14PCS</p>	<p>E</p> <p>3.5*14</p>  <p>46PCS</p>	<p>F</p> <p>3.5*25</p>  <p>26PCS</p>
<p>G</p>  <p>13PCS</p>	<p>H</p>  <p>6PCS</p>	<p>I</p>  <p>3PCS</p>
<p>J</p> <p>3*12</p>  <p>6PCS</p>	<p>K</p>  <p>2PCS</p>	<p>L</p>  <p>6PCS</p>
<p>LED</p>  <p>1PCS</p>		

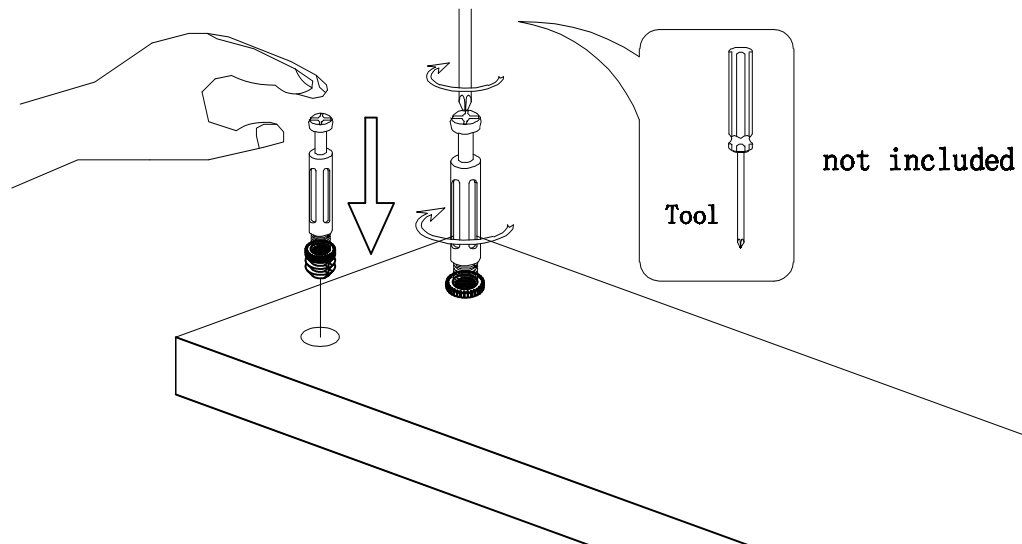
"A" Hardware installation example

I

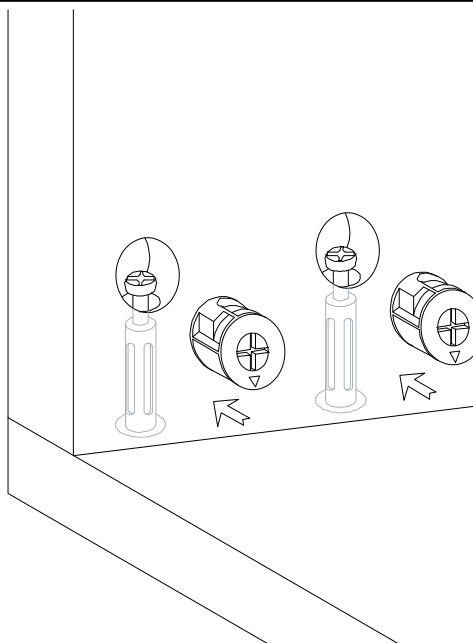


This part cannot be separated,
please install in strict
accordance with the assembly
requirements

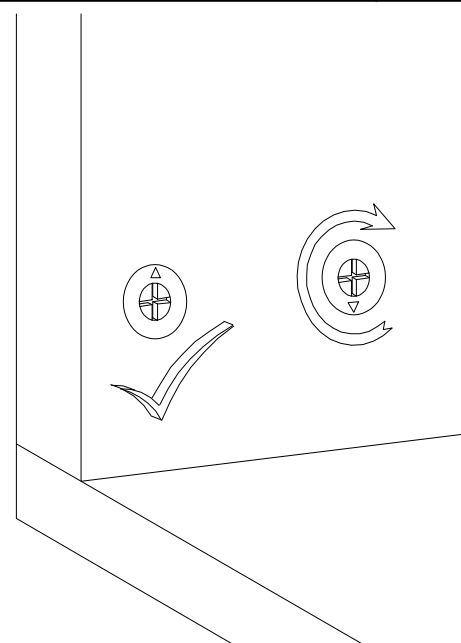
II



III

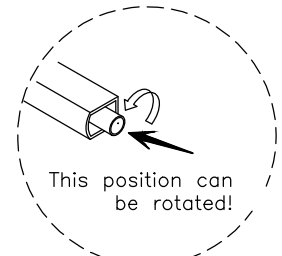
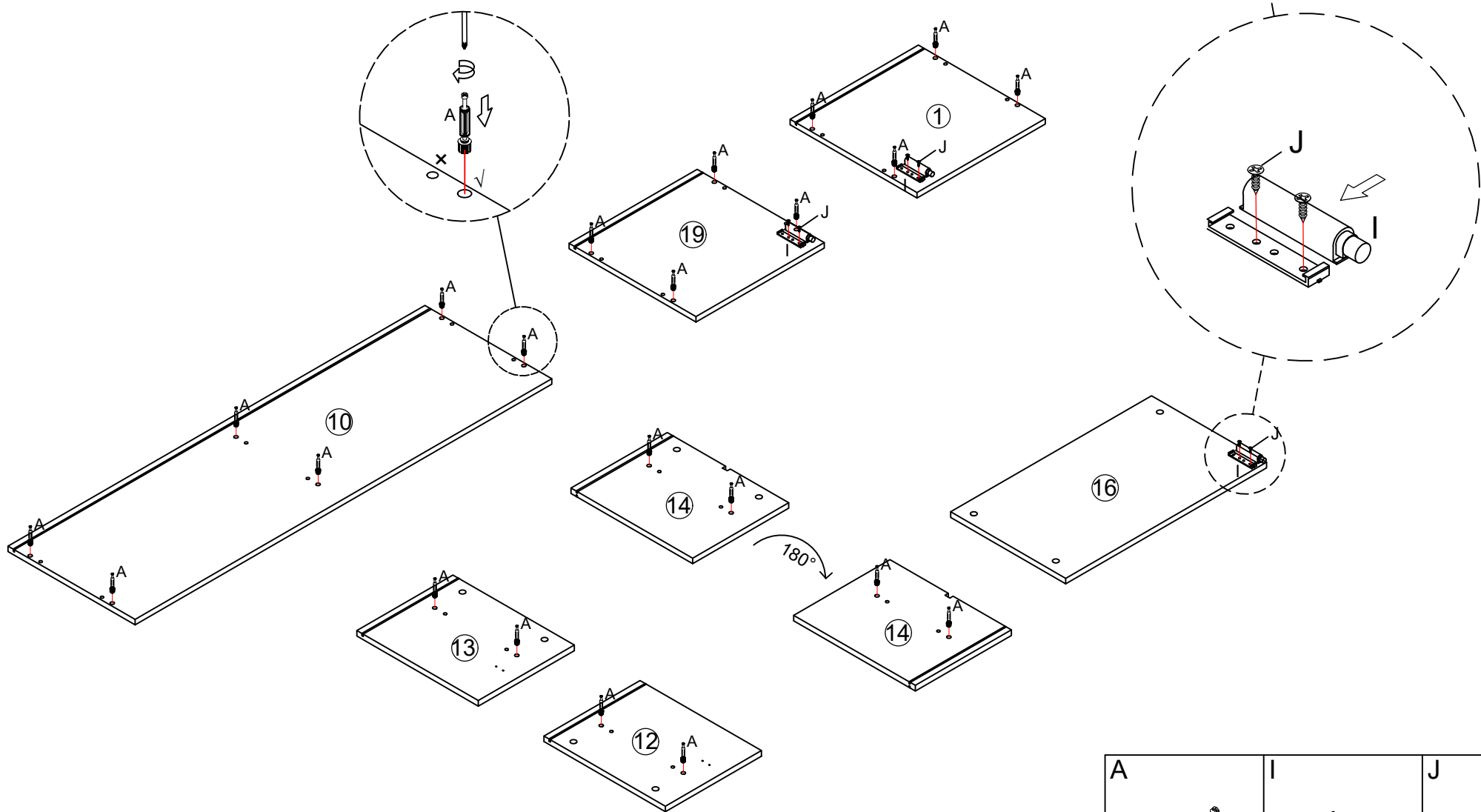



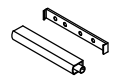
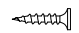
IV



1

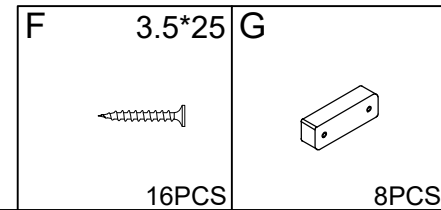
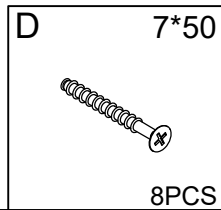
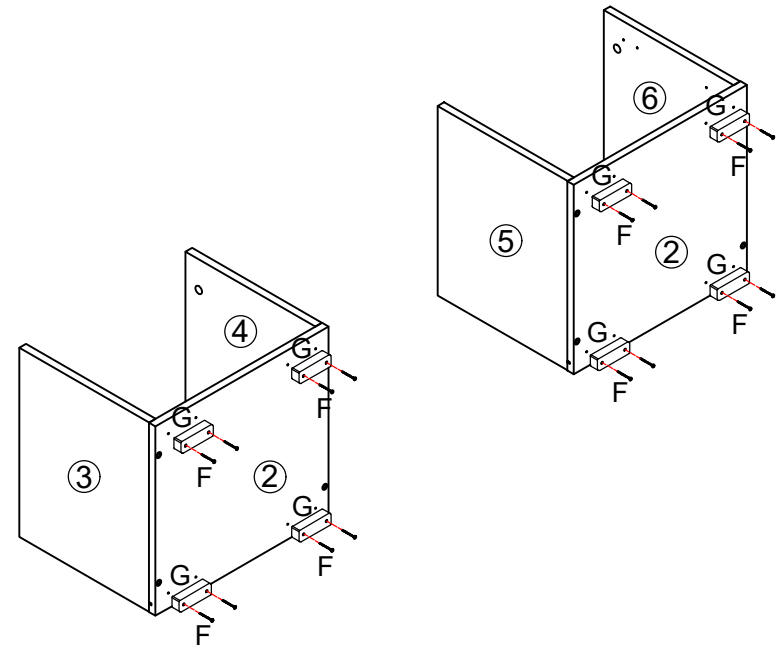
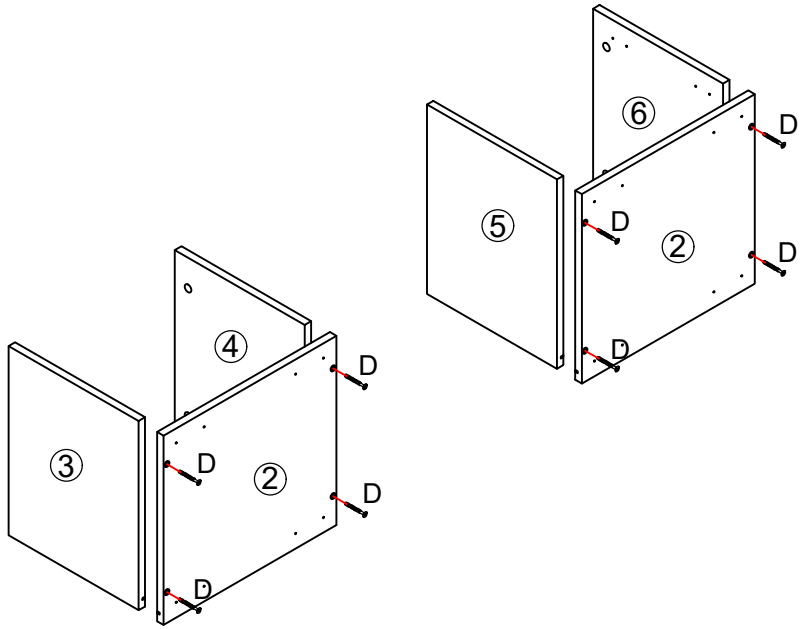
P.3



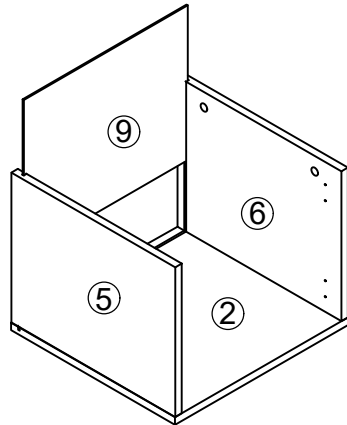
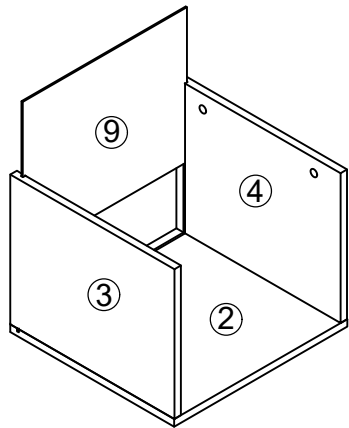
A	I	J	3*12
			
22PCS	3PCS	6PCS	

2

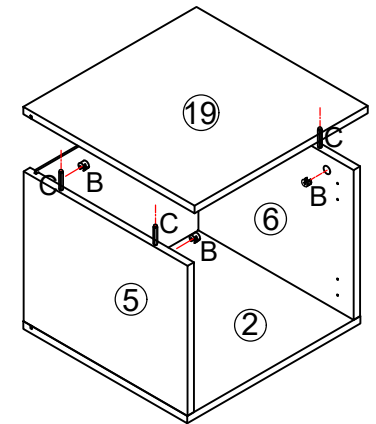
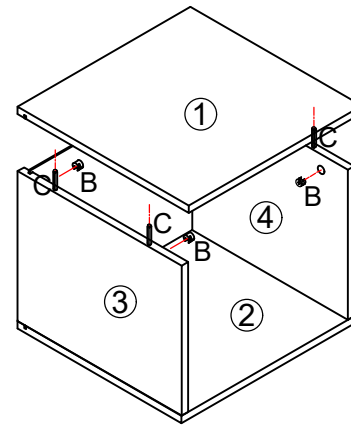
P.4


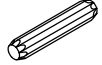


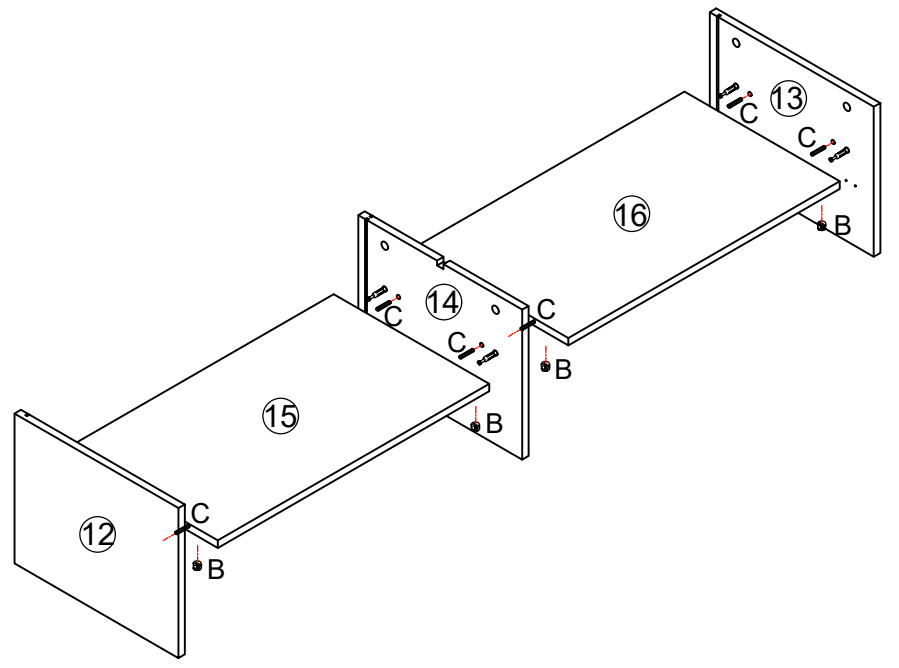
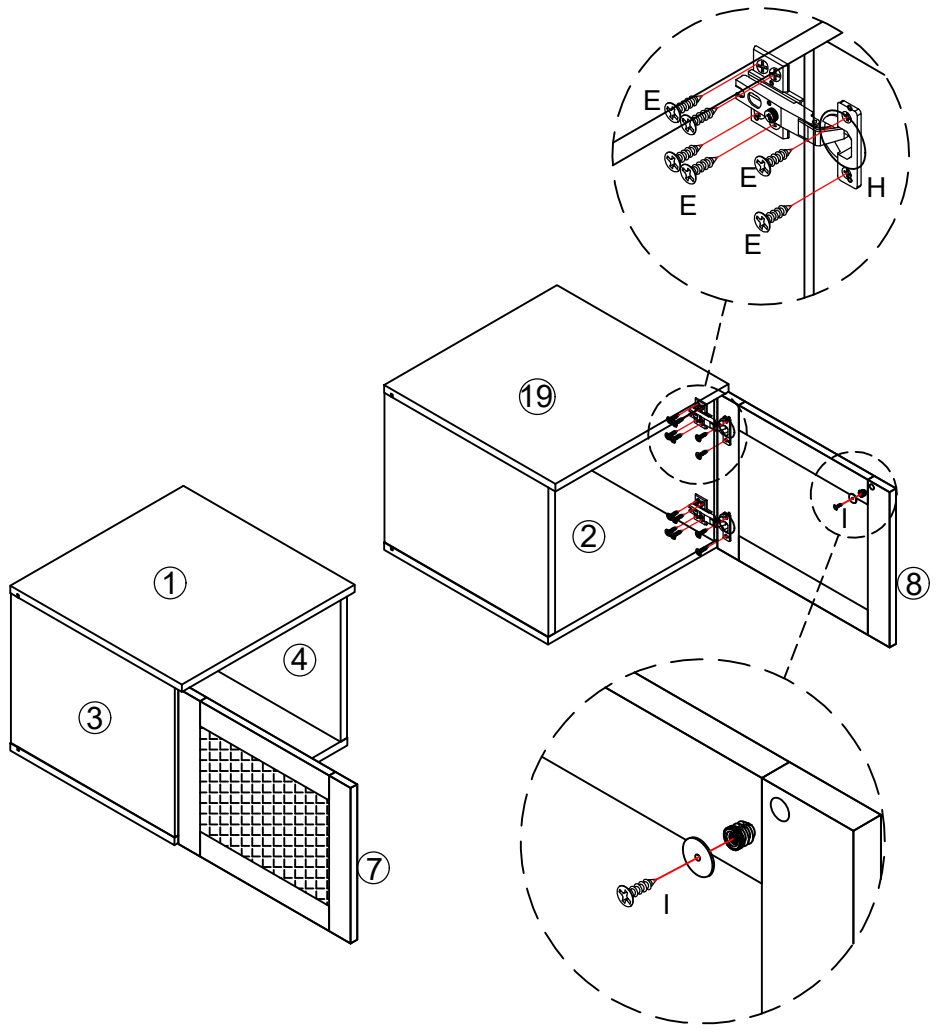
3

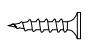
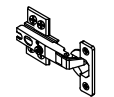

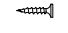



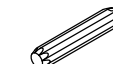
P.5



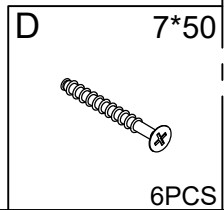
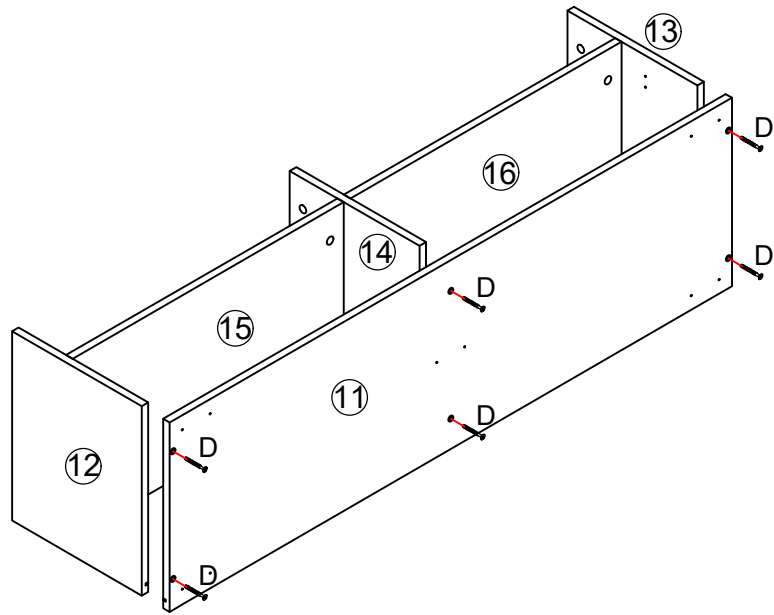
B	C
	
8PCS	8PCS



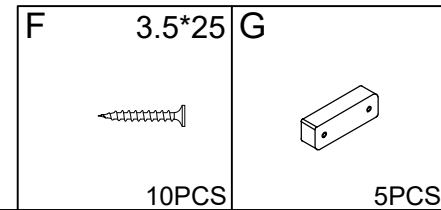
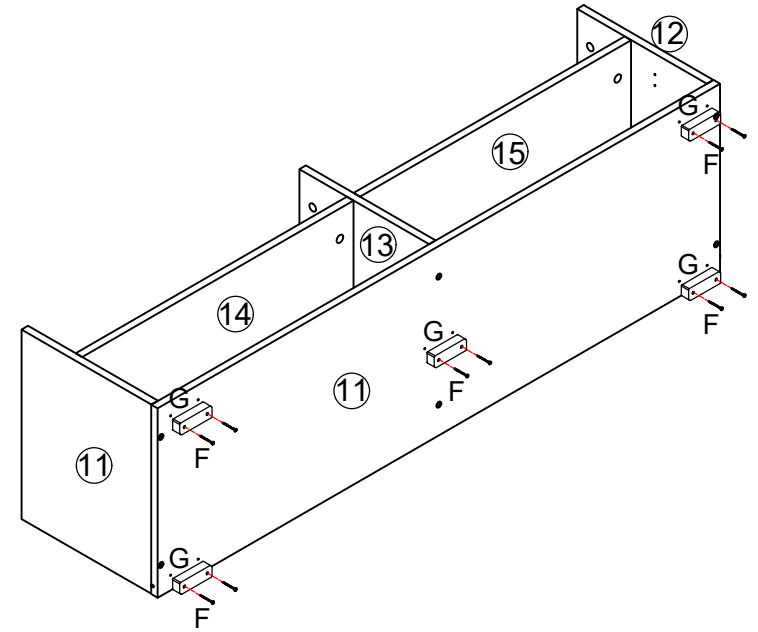
E	3.5*14	H	I
			
24PCS	4PCS	2PCS	

B	C
	
8PCS	8PCS

5

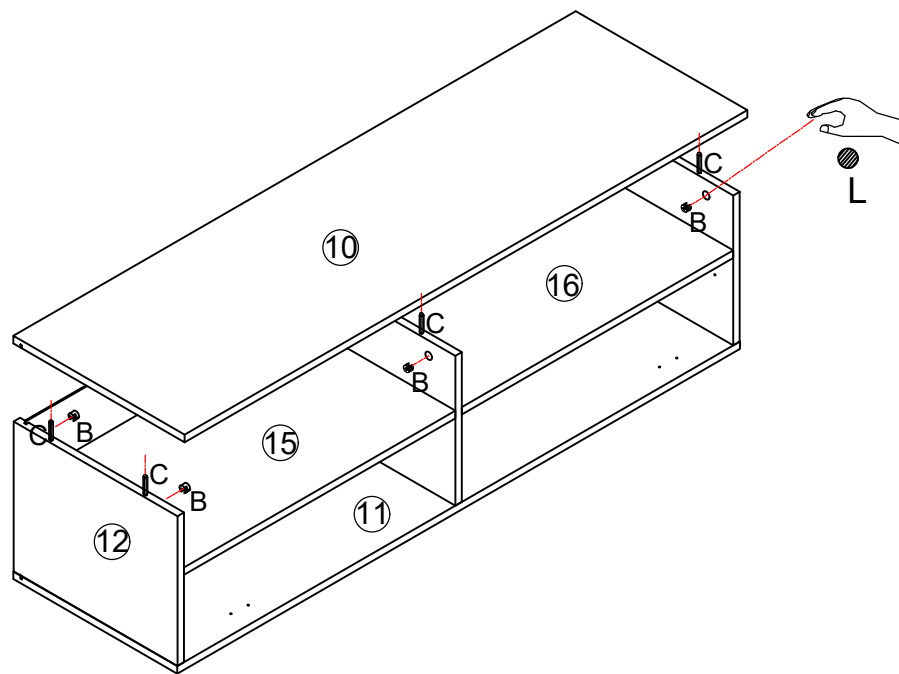
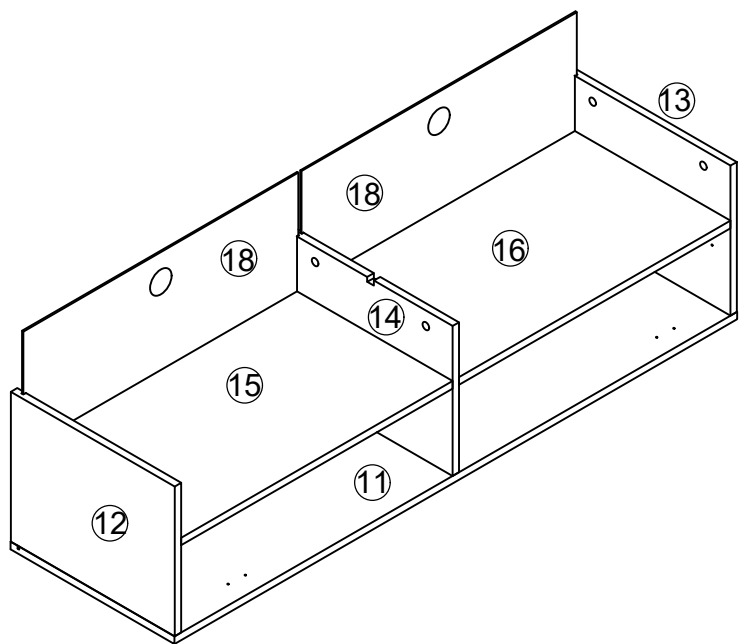



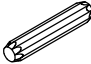

P.7



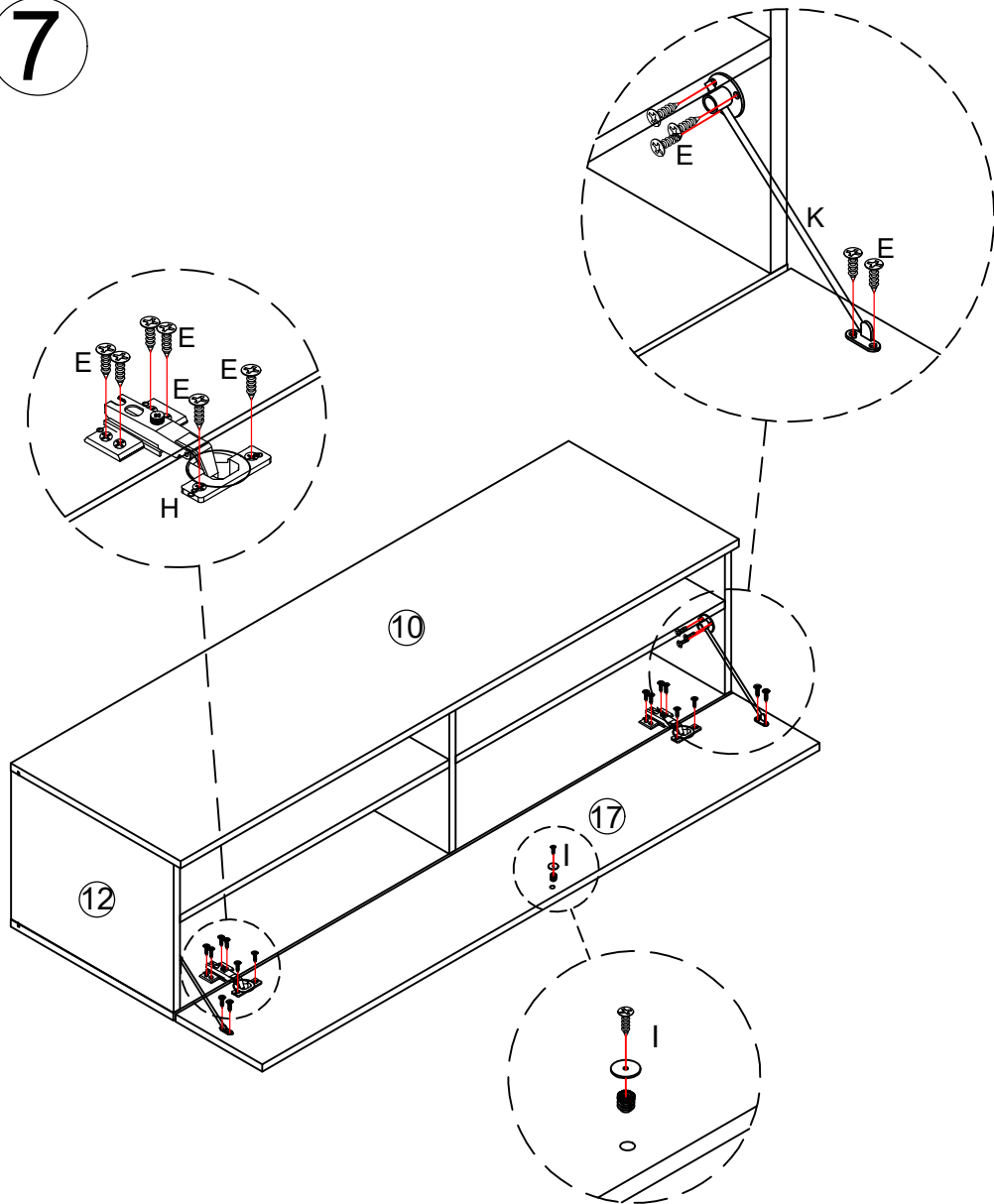
6

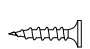
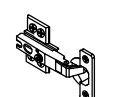


P.8



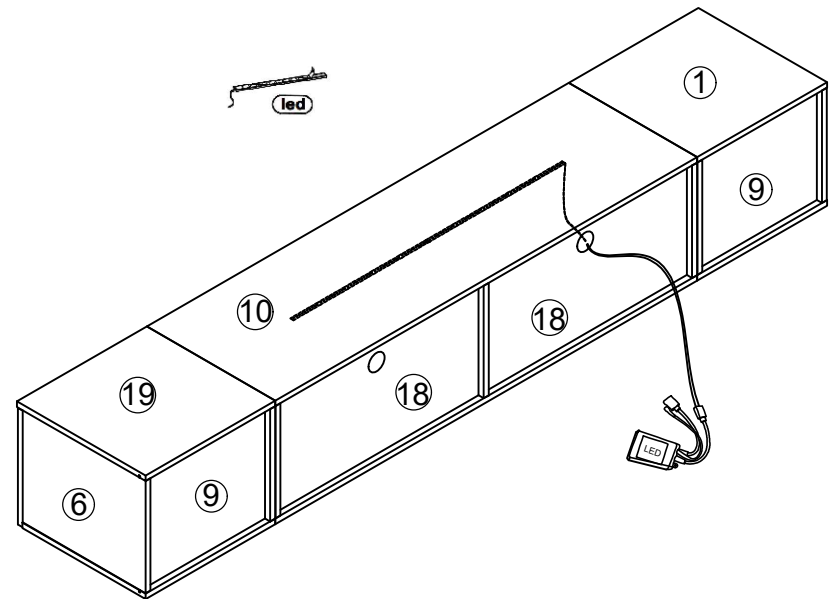
B	C	L
		
6PCS	6PCS	6PCS


7



E	3.5*14	H	I	K
				
22PCS	2PCS	1PCS	2PCS	

Please stick LED belt under part 10



LED

1PCS

LED Light

If you can't let the lights work successfully, please check the following:

1. Please check the direction of the connect, try it in the opposite direction, according to the following picture.

2. Please check the remote control, it needs you to tear down the plastic septum before use it.

LED Light

3. Don't let the remote control too far from the receiver, make sure there is no obstruction between them.

4. Please note that for transportation safety, the remote control does not contain batteries; the battery model is: CR2025

